

UNCLASSIFIED

AD NUMBER

AD076740

CLASSIFICATION CHANGES

TO: UNCLASSIFIED

FROM: CONFIDENTIAL

LIMITATION CHANGES

TO:  
Approved for public release; distribution is unlimited.

FROM:  
Distribution authorized to U.S. Gov't. agencies and their contractors;  
Administrative/Operational Use; JUL 1955. Other requests shall be referred to Bureau Of Ordnance, Washington, DC.

AUTHORITY

31 Jul 1967, DoDD 5200.10 ; Buord per DTIC form 55

UNCLASSIFIED

---

---

AD \_\_\_\_\_

*Reproduced  
by the*

ARMED SERVICES TECHNICAL INFORMATION AGENCY  
ARLINGTON HALL STATION  
ARLINGTON 12, VIRGINIA



DECLASSIFIED  
DOD DIR 5200.9

---

---

---

UNCLASSIFIED

**AD 76740**

# Armed Services Technical Information Agency

Reproduced by  
**DOCUMENT SERVICE CENTER**  
**KNOTT BUILDING, DAYTON, 2, OHIO**

This document is the property of the United States Government. It is furnished for the duration of the contract and shall be returned when no longer required, or upon recall by ASTIA to the following address:  
Armed Services Technical Information Agency, Document Service Center,  
Knott Building, Dayton 2, Ohio.

**NOTICE: WHEN GOVERNMENT OR OTHER DRAWINGS, SPECIFICATIONS OR OTHER DATA OR OTHER INFORMATION ARE USED FOR ANY PURPOSE OTHER THAN IN CONNECTION WITH A DEFINITELY RELATED GOVERNMENT PROCUREMENT OPERATION, THE U. S. GOVERNMENT THEREBY INCURS NO RESPONSIBILITY, NOR ANY OBLIGATION WHATSOEVER; AND THE FACT THAT THE GOVERNMENT MAY HAVE FORMULATED, FURNISHED, OR IN ANY WAY SUPPLIED THE SAID DRAWINGS, SPECIFICATIONS, OR OTHER DATA IS NOT TO BE REGARDED BY ANY PERSON OR CORPORATION, OR CONVEYING ANY RIGHTS OR PERMISSION TO MANUFACTURE OR USE OR SELL ANY PATENTED INVENTION THAT MAY IN ANY WAY BE RELATED THERETO.**

**Best  
Available  
Copy**

CONFIDENTIAL

FC

INVESTIGATION OF CONTROL SYSTEMS  
FOR THE [illegible]

CONFIDENTIAL

CONFIDENTIAL

CONFIDENTIAL

FC

INVESTIGATION OF PROPELLANT SYSTEMS  
FOR HIGH-PERFORMANCE USE

5500-51221

CONFIDENTIAL

**FC**

INVESTIGATION OF PROPELLANT SYSTEMS  
FOR HIGH-PERFORMANCE GUNS

— Final Report —

by T. J. O'Donnell, W. H. Hoiter, B. Petkof and M. L. Rice

for  
United States Navy  
Bureau of Ordnance, Re2d  
Contract NOrd - 10721, 15536

JULY 1955

ATLANTIC RESEARCH CORPORATION  
Alexandria, Virginia

This document contains information affecting the national defense of the United States within the meaning of the Espionage Acts, Title 18, U.S.C., Sections 793 et seq. The transmission or the revelation of its contents in any manner to an unauthorized person is prohibited by law.

Copy No. 71

CONFIDENTIAL

**55AA**

**54424**

CONFIDENTIAL

TABLE OF CONTENTS

I. SUMMARY . . . . .	1
II. INTRODUCTION . . . . .	3
III. THE EXPERIMENTAL FACILITY. . . . .	4
A. The Gun Range . . . . .	4
B. Modified 1.1-Inch Gun . . . . .	4
1. Gun A. . . . .	4
2. Gun B. . . . .	5
C. Instrumentation Developed for Measurement of Ballistic Parameters . . . . .	6
1. Measurement of Gun Pressure. . . . .	6
2. Measurement of Projectile Velocity. . . . .	9
3. Gun Firing System . . . . .	9
D. Closed Bomb Apparatus . . . . .	11
IV. EXPERIMENTAL STUDIES IN GUN A. . . . .	12
A. Firings with Conventionally Loaded Charges of SPDN 3256. . . . .	12
B. Firings with JFN or JPH Sheet Propellant . . . . .	13
C. Firings with IX107 Propellant Grains . . . . .	14
D. Firings with M-7 Propellant Grains. . . . .	15
E. Firings with Porous Grains Cast from Nitrocellulose Ball Powder. . . . .	16
V. EXPERIMENTAL STUDIES IN GUN B. . . . .	18
A. Firings with Conventionally Loaded Charges of SPDN 3256. . . . .	18
B. Firings with Basket-Type Projectiles. . . . .	18
C. Ninety-One-Perforated Grain . . . . .	19
VI. INTERIOR BALLISTIC STUDIES . . . . .	21
A. Calculated Shot-Start Pressure and Retarding Force on the Projectile . . . . .	21
B. Pressure Drop Between Breech and Projectile. . . . .	21
C. Interior Ballistic System for Attached Charge . . . . .	23
VII. CONCLUSIONS AND RECOMMENDATIONS . . . . .	26
A. Gun Range Instrumentation Developed to Conduct Experimental Firings . . . . .	26
B. Pressure at Breech Measured with a Pressure Gage-Igniter Combination. . . . .	26
C. Ignition of Inhibited JPN Sheet Propellant Difficult . . . . .	26
D. Higher Muzzle Velocities Obtained in Firings with Either IX107 or M-7 Grains Attached to the Projectile . . . . .	26
E. Higher Muzzle Velocities Obtained in Firings with Basket-Type Projectiles . . . . .	26
F. Method Developed for Calculation of Theoretical Performance of Attached Propellant Charge or Attached Charge in Combination with a Conventionally Loaded Charge . . . . .	26
G. Design of Attached Charges using Conventional Propellants Requires Highly Progressive, Small-Web Grains . . . . .	27
H. Mechanical Attachment of Propellant Charge to the Projectile a Major Problem . . . . .	27
APPENDIX A. . . . .	28
APPENDIX B. . . . .	31
BIBLIOGRAPHY . . . . .	33

CONFIDENTIAL

I. SUMMARY

1

Several theoretical studies were made in this country after World War II to evaluate the impulse propulsion gun suggested by Langweller as a means of increasing projectile velocity. These studies led to the initiation of experimental programs at the Ballistic Research Laboratory, Aberdeen, Maryland, and at the Atlantic Research Corporation. The approach at the Ballistic Research Laboratory has been the development of new, unconventional propellant systems with extremely high effective burning rates to be used as end-burning charges to achieve performance near that of an impulse gun. The approach at Atlantic Research, on the other hand, has been the utilization of properly shaped charges of conventional propellant traveling with the projectile — an approach suggested as a possible means of achieving substantially the performance of the impulse gun in the theoretical investigations made at Atlantic Research.

The initial goal of the program undertaken at Atlantic Research was the experimental verification of the higher theoretical performance predicted for "modified impulse guns."

It is the purpose of this report to summarize the results of this program.

A description of the gun range which was constructed to conduct experimental firings is given. The range consists of a gun housing, a control and instrument building and a gun butt.

Two 1.1-inch machine gun barrels were modified at the Naval Gun Factory for use in the experimental firings. Schematic drawings and descriptions of these two barrels, designated Gun A and Gun B, are given together with descriptions of the cartridge cases and igniters developed for use in each gun.

The modified 1.1-inch guns were not entirely satisfactory for use in this study, the major difficulty being the design and fabrication of progressive propellant charges with small web. If additional studies are conducted, it is suggested that a 3"/70-caliber gun be employed.

A gun firing system and associated instrumentation was developed to measure gun pressure in the chamber and at five positions along the bore. Both expanding-cylinder and piston-type gages using resistance strain gages as the sensitive element were fabricated for pressure measurement. A special pressure gage-igniter combination which fitted into the cartridge case was developed to measure chamber pressure.

Projectile velocity was measured using either photoelectric screens or conducting glass slides to trigger a 1.6mc counter chronograph. Muzzle velocity obtained by measuring time between two pins on a photograph of an oscilloscope trace was found to be inaccurate due to lack of precision in measuring the time interval.

A closed bomb was designed and constructed. The bomb was tested at pressures up to 40,000 psi.

The results of firings with conventionally loaded charges of SPDN 3256 have been analyzed. These propellant grains were found not to be completely burned under the experimental firing conditions. An empirical form function was derived which gave good agreement between calculated and observed gun performance. Superior ignition was obtained with the ARC igniter as compared with Mark 42 igniters in firings with SPDN 3256.

A progressive charge was fabricated by inhibiting 0.078-inch-thick JPH propellant with a 0.003-inch film of ethyl cellulose and by making cuts one-sixteenth inch apart through the inhibitor on both sides of the sheet. It was found that propellant prepared in this manner was extremely difficult to ignite in gun firings.

Stacked disks of JPH propellant 0.020 inch thick with an eccentric one-fourth-inch-diameter hole in each disk were cemented to the base of several projectiles. These charges were fired in combination with conventionally loaded SPDN 3256. In addition, comparison firings were made with the entire charge conventionally loaded. Both average pressure and muzzle velocity for the conventional rounds were higher than observed in firings with the JPH disks attached to the projectile.

Firings were made with either IX107 or M-7 propellant grains attached to the projectile in combination with conventionally loaded SPDN 3256. Somewhat higher muzzle velocity and lower pressures

CONFIDENTIAL

CONFIDENTIAL

2

I. SUMMARY

were obtained in firings with these grains attached as compared with firings in which the total charge was conventionally loaded. When either IX107 or M-7 grains were attached to the projectile the end caps which initially restrained the grains in cavities in the projectile base were deformed enough to allow the grains to escape.

Porous grains were cast in projectile cavities by cementing together pre-pelletized nitrocellulose ball powder. Little burning occurred in the first firing with this charge. A second firing was made with a porous attached charge and a 60-gram charge of SPDN 3258 conventionally loaded. Extremely high pressures in this firing irreparably damaged the barrel and breech of Gun A.

A series of firings were made with the propellant charge loaded in a perforated steel basket attached to the base of the projectile. The average muzzle velocity for these firings was about 200 ft/sec higher than the average muzzle velocity recorded in firings with the same charge and the projectile weight in which the propellant was conventionally loaded. The maximum pressures recorded at the various gage positions were higher when the charge was loaded in the basket, and a reasonably constant pressure was obtained during the first 15 inches of projectile travel.

In each firing with a basket-type projectile, structural failure of the basket occurred, the tail-piece usually separating from the body of the basket. It is suggested that further investigation of basket-type projectiles be undertaken to determine the mechanism of their structural failure during firing.

A projectile was designed into which was cast a small web, ninety-one-perforated grain. These grains were made using plastisol-grade nitrocellulose. Only one round was fired, however, before the program was terminated. It is suggested that the use of grains of this type as attached charges be further investigated.

An interior ballistic system was developed to calculate, for a given set of loading conditions and with assumed values of maximum pressure and muzzle velocity, explicit values of shot-start pressure and retarding force on the projectile. Calculated maximum pressure and muzzle velocity using calculated values of shot-start pressure and retarding force on the projectile (determined from observed values of maximum pressure and muzzle velocity obtained under other firing conditions) were in good agreement with those observed.

Theoretical investigation of the effect of density gradient in the propellant gases upon the ratio of breech pressure to pressure on the base of the projectile led to the conclusion that variation of gas density down the bore has little effect on the magnitude of this ratio.

An interior ballistic system was developed to calculate the theoretical performance for firings in which a conventional charge is attached to the projectile, or when part of the propellant is conventionally loaded and part attached to the projectile. The equations forming the basis for this ballistic system are given.

Loading conditions and measured ballistic data for all firings in Gun A and Gun B are included.

CONFIDENTIAL

CONFIDENTIAL

## II. INTRODUCTION

3

It has been recognized for many years that the effectiveness of projectiles fired at a target increases rapidly as the projectile velocity increases, and considerable work has been done toward increasing the muzzle velocity of guns. A novel approach to the achievement of high projectile velocities, the impulse propulsion gun,<sup>13</sup> was suggested in 1939 by Langweiler in Germany. The impulse gun differs from the conventional gun in that the propellant is attached to the base of the projectile and burns only on its rear surface. Langweiler imposed the further restriction that the propellant burning rate changes in such a way that the gases leaving the combustion zone are at rest relative to the gun tube and are at constant pressure. As compared with a conventional gun the impulse gun is superior as an accelerating device both from the viewpoint of propellant efficiency and distance efficiency, its advantages becoming more marked at higher muzzle velocities.<sup>17</sup>

After World War II, several studies were made in this country of the Langweiler impulse gun.<sup>14 15 18</sup> These studies led to the initiation of experimental programs at the Ballistic Research Laboratory, Aberdeen, Maryland, and at the Atlantic Research Corporation. The approach at the Ballistic Research Laboratory has been the development of new, unconventional propellant systems with extremely high effective burning rates which would be used as end-burning charges to achieve performance near that of an impulse gun. On the other hand, the approach at Atlantic Research has been the utilization of properly shaped charges of conventional propellant traveling with the projectile — an approach suggested as a possible means of attaining substantially the performance of the impulse gun in the theoretical investigations made at Atlantic Research.<sup>16</sup>

The initial goal of the program undertaken at Atlantic Research was the experimental verification of the higher theoretical performance predicted for "modified impulse guns."<sup>16</sup> This program was actively initiated in June, 1952 and continued until December, 1954, at which time the study was terminated. It is the purpose of this report to summarize the results of this program.

CONFIDENTIAL

CONFIDENTIAL

4

III. THE EXPERIMENTAL FACILITY

A. THE GUN RANGE

The gun range constructed for use in the experimental program consisted of three buildings; a gun housing, a control and instrument building, and a gun butt.

The gun housing was constructed on a heavy concrete base and enclosed the gun with 5/16-inch steel. The space around the gun inside the housing was just large enough to allow normal operations on the gun and breech.

The control and instrument building is a cinder-block structure with approximately 200 square feet of floor space divided into two rooms. This building is separated from the gun housing by a two-foot-thick sand barrier. Instruments and recording equipment used to obtain experimental firing data were installed in the larger of the two rooms in the control building. The second room, constructed with explosion-proof electrical fixtures and conducting floor, was used for propellant loading and handling and contained the equipment used to temperature condition rounds prior to firing.

The gun butt, approximately 50 feet from the muzzle of the gun, is a box fabricated from one-half-inch steel plate four feet in height and width and six feet deep with a removable front of masonite. This box is filled with sand and is enclosed in a reinforced concrete structure. It was found that approximately thirty rounds could be fired into the gun butt before the sand and front cover required replacement.

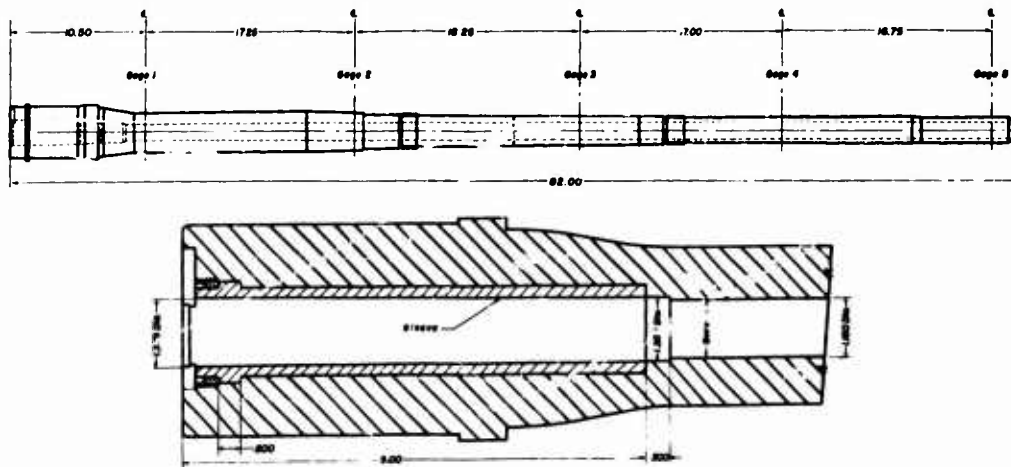
B. MODIFIED 1.1-INCH GUN

Experimental firings were conducted in one of two modified 1.1-inch machine guns. Gun A was used for all firings until it was damaged in Firing 136 during January 1954. Firings after this date were conducted in a second modified 1.1-inch gun designated Gun B.

1. Gun A

Gun A was modified at the Naval Gun Factory for use in experimental firings. The modifications to the gun consisted of (1) removal of the rifling and increasing the bore diameter to 1.150 inches, (2) insertion of a sleeve in the chamber to give a constant chamber cross-section through the base and cartridge case of 1.150 inches, and (3) drilling and threading five holes along the barrel to receive pressure gages. Use of the sleeve reduced the chamber volume by about 40 per cent as compared with the normal 1.1-inch gun. A schematic drawing of the modified 1.1-inch gun barrel is shown in Figure 1.

FIGURE 1  
Modified 1.1-Inch Machine Gun Barrel for Gun A



CONFIDENTIAL



III. THE EXPERIMENTAL FACILITY

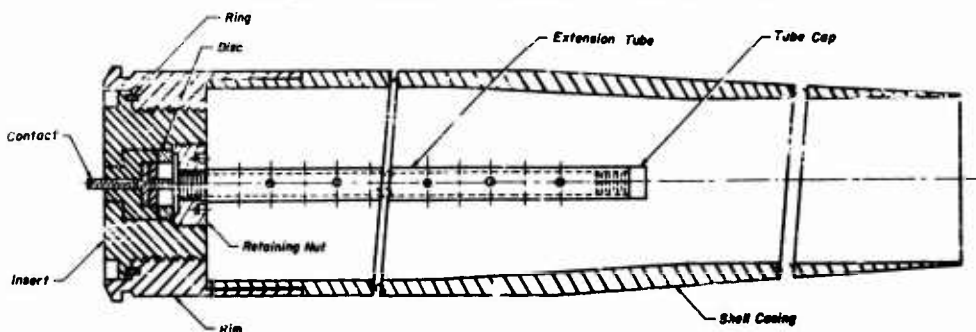
density, the chamber was enlarged as compared with Gun A by eliminating the sleeve previously used. A forcing cone was incorporated into the chamber design so that forcing hands could be used on the projectiles as a means of increasing shot-start pressure and reducing gas leakage. The bore diameter of the new barrel was increased to 1.200 inches and the barrel was chrome plated.

a. Cartridge Case and Primer

A new cartridge case and primer was developed<sup>7</sup> for use with Gun B, and the size of the primer was reduced to further increase the initial chamber volume. A schematic drawing of the case and primer is shown in Figure 4.

FIGURE 4

Cartridge Case and Primer Developed for Use with Gun B



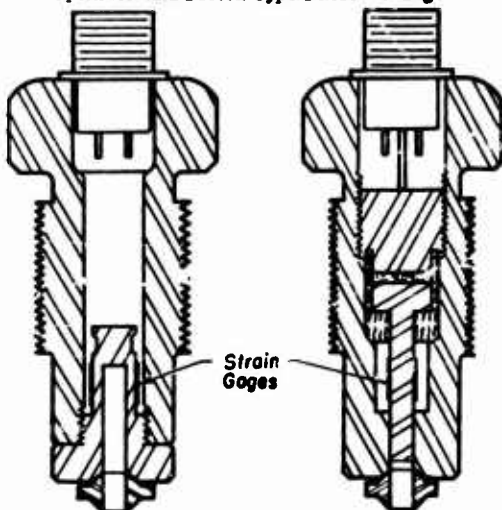
C. INSTRUMENTATION DEVELOPED FOR MEASUREMENT OF BALLISTIC PARAMETERS

1. Measurement of Gun Pressure

The barrels for both Gun A and Gun B were drilled so that pressure gages could be inserted at five positions along the barrel. (See Figures 1 and 3.) Pressure gages using resistance strain gages as the sensitive elements were fabricated to measure pressure.<sup>8</sup>

FIGURE 5

Cylinder and Piston Type Pressure Gages



(a) Cylinder Type

(b) Piston Type

The first gages developed were patterned after an expanding-cylinder type gage designed at the Naval Proving Ground, Dahlgren, Virginia. All gages used in the experimental program were calibrated in cooperation with the Naval Proving Ground. Figure 5(a) shows the construction details of the cylinder-type gage.<sup>9</sup>

A second type pressure gage was also developed. The strain element in this gage is mounted on a piston which is compressed by the gun pressure. Construction details of this gage are shown in Figure 5(b).

Measurement of chamber pressure was made possible by development of a pressure gage-igniter combination which fit into the cartridge case.<sup>10</sup> Figure 6(a) is a drawing of the igniter-pressure gage developed for use in Gun A. An improved

<sup>9</sup>The initial group of cylinder gages was found to have nonlinear response, particularly above 30,000 psi, due to the use of an incorrect type steel and improper hardening of the cylinders.

III. THE EXPERIMENTAL FACILITY

version of this gage was developed for use with Gun B. This gage was mechanically interchangeable with the standard igniter, the only effect resulting from its use being a slight reduction in chamber volume. Details of the igniter-pressure gage used in Gun B are shown in Figure 6(b).

Because these gages were used only to measure transients, a "dynamic" type circuit was designed using A. C. amplifiers and A. C. oscilloscopes. This system was much less expensive than a conventional bridge circuit with D. C. amplifiers. Figure 7 is the schematic of the pressure-gage circuit.

Recording of gun pressures was accomplished by feeding the output of the strain-gage circuit to preamplifiers and then to the vertical amplifier input of single-sweep oscilloscopes. The sweeps of the oscilloscopes were triggered by the burnout of the igniter wire in the primer. Z-axis modulation was used with the trace blanked at 0.5-millisecond intervals to provide timing markers.

Photographic records of the traces on the oscilloscopes were made with special cameras constructed to use two- and one-fourth-inches by three-and-one-fourth-inches cut film or with a rotating drum camera.\* The special cameras were constructed with electric-shutter solenoids. However, because the beams were blanked until triggered it was found more convenient to leave the shutters open and pull the slides on the film holder to prepare the film for exposure.

Timing marks, which were superimposed on the pressure traces, were obtained by a time-marker generator. This device employed a tuning-fork oscillator, and it could be used to produce accurate

FIGURE 6  
Igniter-Pressure Gage Developed to Measure Chamber Pressure in Guns A and B

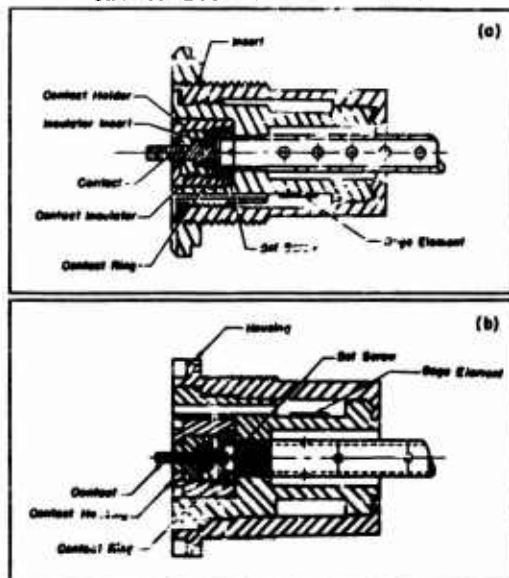
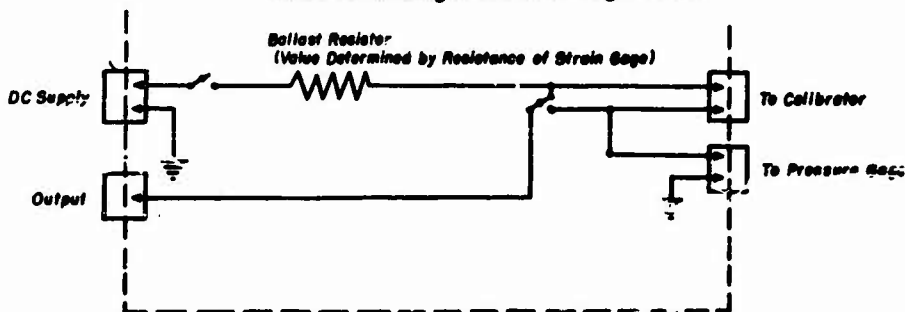


FIGURE 7  
Schematic Drawing of Pressure-Gage Circuit



time markers of either polarity with periods of 0.5, 1.0, or 2.0 milliseconds. A four-millisecond pulse synchronized with other pulses was also available. The circuit of the time-marker generator is shown

\*The drum camera was used with a dual-beam oscilloscope to record chamber pressure and pressure at the first gage position.



## III. THE EXPERIMENTAL FACILITY

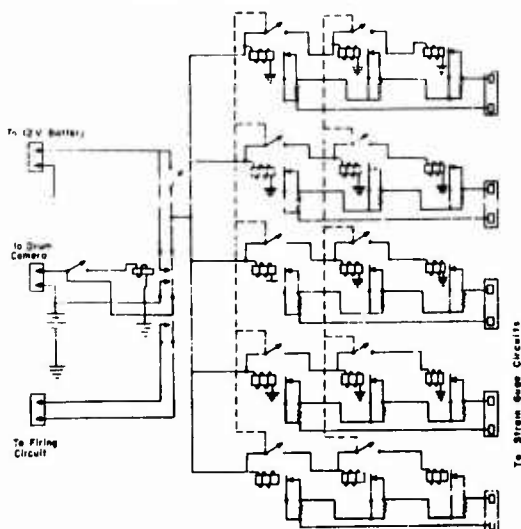
9

in 15 milliseconds by adjusting each relay to operate with about a five-millisecond delay after operation of the preceding relay. The complete circuit for this calibrator is shown in Figure 9.

## 2. Measurement of Projectile Velocity

Projectile velocity was obtained by measuring the time interval required for the projectile to travel

FIGURE 9  
Schematic Drawing of Relay Calibrator



a given distance. Initially, velocity measurements were made by determining the time interval between the breaking of conducting paths obtained by applying silver paint to two glass microscope slides. The slides were placed in the line of fire and were held two feet apart by supporting stands. Electrically, the slides were part of an RC circuit which produced a sharp voltage pulse when each slide was broken. The pulse circuit is shown in Figure 10. The two pulses from the velocity circuit were displayed on an oscilloscope with time markers applied to the Z-axis. Measurement of the photograph of the oscilloscope trace was used to determine the time between breaking of the slides. The major difficulty<sup>3</sup> with this system was inaccuracy due to lack of precision in measuring the time interval on the photograph.

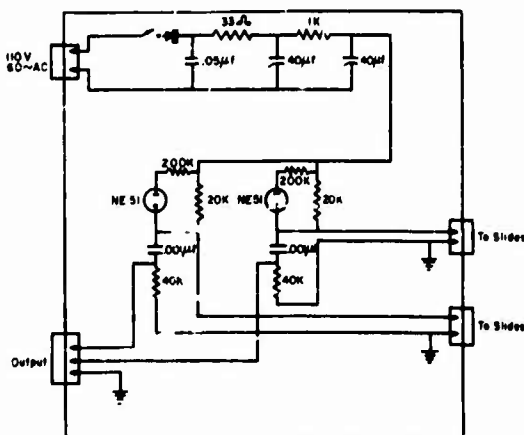
A second method for determining projectile velocity was the use of a 1.6mc counter chronograph in conjunction with either a pair of photoelectric screens, which produced a sharp pulse when the projectile passed through the beam, or with the con-

ducting glass slides. It was found that either the glass slides or the photoelectric screen gave equally good results if time was measured with the counter chronograph.

## 3. Gun Firing System

Several problems were encountered in the development of a system for firing the gun and triggering the oscilloscopes. The major difficulties were multiple triggering of the oscilloscopes, which obscured the pressure trace and time markers, and erratic time variation between burn-out of the igniter wire and propellant ignition.<sup>4</sup> These problems were eliminated by the development of the firing and triggering circuit shown in Figure 11. The principal innovation was the design of the circuit around three thyratrons (Type 2050), used as relays. The grids are biased negatively and the thyratrons are fired by coupling a positive pulse into the grids. The first of these thyratrons, T1, is used in the circuit to fire the gun. Any external switch<sup>5</sup> can be used to fire the thyatron. The second thyatron, T2, is used

FIGURE 10  
Schematic Drawing of Velocity Circuit Using Glass Slides



<sup>5</sup>When the drum camera was put into use, a switch on the drum camera which is synchronized with the position of the drum was used to initiate the gage calibration sequence and fire the gun.





IV. EXPERIMENTAL STUDIES IN GUN A

A total of 130 experimental firings were conducted during the period December 1953 to January 1954 in Gun A. Pertinent information for these firings is given in Table I of Appendix A.

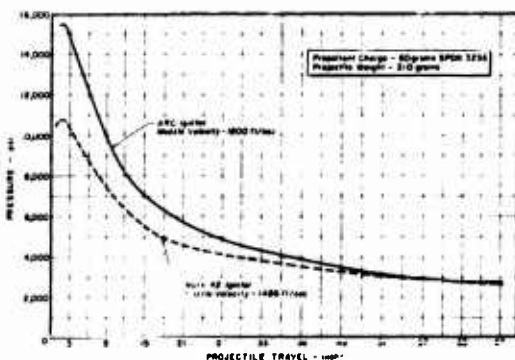
A. FIRINGS WITH CONVENTIONALLY LOADED CHARGES OF SPDN 3256

Initial firings in Gun A were made to obtain firing experience and to determine the effect of variation in loading conditions on performance using propellant lot SPDN 3256. \* This powder was originally intended for use in the conventional 1.1-inch machine gun. In the original application a 115-gram charge with a 0.917-pound projectile gave a muzzle velocity of 2700 ft/sec with a maximum pressure of about 36,000 psi.

In the experimental firings with SPDN 3256 in Gun A, however, much lower projectile weights and smaller charges were employed. As a result the propellant grains were not completely burned. To obtain acceptable agreement between calculated gun performance and experimental results using propellant burning rates determined from closed-bomb measurements, it was necessary to modify the theoretical form function for these grains. Modification of the form function by assuming different burning rates on the outside of the grain and in the perforation resulted in calculated muzzle velocity in agreement with experimental values; however, the calculated peak pressure was below that obtained experimentally. An empirical form function<sup>b</sup> was derived by calculating a propellant charge design to deliver the observed average pressure-distance curve for specific loading conditions. Good agreement between calculated and observed performance was obtained for other loading conditions with the empirical form function.

The results of firings with SPDN 3256 using both the ARC igniter and the Mark 42 igniter indicated that superior ignition was obtained with the ARC igniter. Experimental pressure-distance curves

FIGURE 13  
Comparison of Average Pressure-Distance Curve  
Obtained with ARC and Mark 42 Igniters



obtained with the ARC and Mark 42 igniters\*\* for a 60-gram charge of SPDN 3256 with a projectile weight of about 310 grams are shown in Figure 13 as the solid and dashed curves, respectively. The average maximum pressure and muzzle velocity (obtained by measuring time with a counter chronograph) with the ARC igniter were 15,600 psi and 1800 ft/sec while the comparable values with the Mark 42 igniter were 10,700 psi and 1476 ft/sec.

Average muzzle velocity obtained by measuring time between two pips on a photograph of an oscilloscope trace for the same loading conditions and with the ARC igniter was 1933 ft/sec while average muzzle velocity for firings with the Mark 42 igniter under similar conditions was 1752 ft/sec. The difference in muzzle velocity obtained by the

\*Propellant composition and dimensions of the single-perforated grains of SPDN 3256 are as follows:

Composition	Weight Per cent
Nitrocellulose (13.15)	90
Dinitrotoluene	8
Dibutylphthalate	2
Diphenylamine	1
Grain Dimensions	
Grain Length	0.271 inch
Grain Outside Diameter	0.080 inch
Perforation Diameter	0.016 inch

\*\*Firings with ARC igniter -- Firings number 26, 27, 28, 29, 35, 30, 53, 54, 55, 65, 94, 95, 108, 109, 110, 111, and 112.  
Firings with Mark 42 igniter -- Firings number 30, 34, 37, 38, 40, 50, 51, and 52.

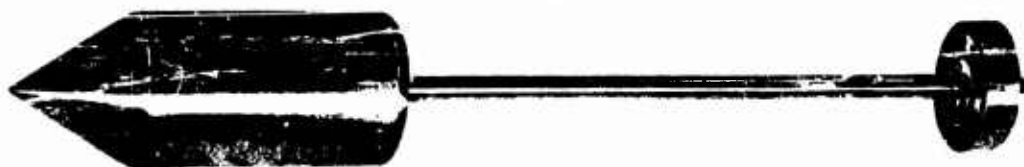
two methods of measurement for these firings is typical of the difference obtained in other firings.

#### B. FIRINGS WITH JPN OR JPH SHEET PROPELLANT

Several firings were made with conventionally loaded strips of uninhibited JPN sheet propellant both 0.078 and 0.045 inch thick.<sup>2</sup> The strips were approximately 4.5 inches long and 0.125 inch wide. Results were very erratic, but examination of recovered propellant fragments indicated that the propellant distance burned was in good agreement with that theoretically calculated from the observed pressure-time data.

FIGURE 14

Projectile Used for Attached-Charge Firings with JPN Sheet Propellant  
(Projectile Type D)



In addition to the conventional firings with charges of JPN strip propellant, several firings were made with strip propellant attached to the projectile.<sup>3</sup> The projectile used in this series of firings is shown in Figure 14. Two co-axial cylinders of propellant were supported between the main body of the projectile and the end cap. The outside diameter of the end cap was one-eighth inch less than the inside diameter of the gun bore and openings were machined in the end cap inside the cylinders of propellant to allow propellant gas to flow to the rear. The initial firing made with this system used 0.078-inch-thick JPN sheet inhibited with a 0.003-inch ethyl cellulose film. A progressive charge was obtained by making cuts one-sixteenth inch apart through the inhibitor on both sides of the propellant sheet and parallel to the axis of the projectile. The total propellant weight in this charge arrangement was about 46 grams. Although neither pressure nor muzzle velocity was successfully recorded, they were probably low since recovered portions of the propellant indicated that almost no burning had occurred. To obtain an indication of whether the inhibiting system or the projectile-propellant system caused poor ignition, tests were conducted in which (1) similar inhibited propellant was conventionally loaded along with uninhibited JPN strip propellant, and (2) uninhibited propellant was employed in the attached-charge projectile. Little burning occurred with inhibited sheet when conventionally loaded, although adequate ignition of the attached uninhibited charge was obtained.

A different type of attached charge system was used in a series of firings made with JPH sheet.\* Three firings in this series were made with an attached charge fabricated from 0.020-inch-thick disks of propellant the same size as the base of the projectile.<sup>4</sup> Each disk had an eccentric one-fourth-inch diameter hole cut in it. The disks were stacked with the small holes not aligned and cemented together along the edges with a narrow ribbon of cement. The stacks were in turn cemented to the base of the projectile. The attached charges weighed about 15.5 grams and were comprised of 31 disks. In addition to the JPH propellant attached to the projectile, 60 grams of SPDN 3256 was conventionally loaded in each firing. Average pressure versus projectile displacement obtained in these firings is shown by the solid curve in Figure 15. The average muzzle velocity measured in these firings was 2216 ft/sec. The average pressure versus projectile displacement obtained in comparison firings with 60 grams of SPDN and 15.5 grams of

\*Firings number 114, 115, 116, 117, 118, and 119.

IV. EXPERIMENTAL STUDIES IN GUN A

JPH strip both conventionally loaded is shown by the dashed curve in Figure 15. The average muzzle velocity for these firings was 2302 ft/sec. Both average pressure and muzzle velocity for the conventional rounds were higher than that observed in the firings with the JPE disks attached to the projectile

FIGURE 15

Average Pressure versus Distance for Firings Made with JPH Strip Propellant Conventionally Loaded and Attached to the Projectile

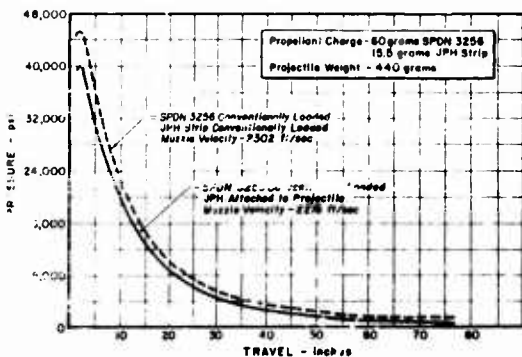
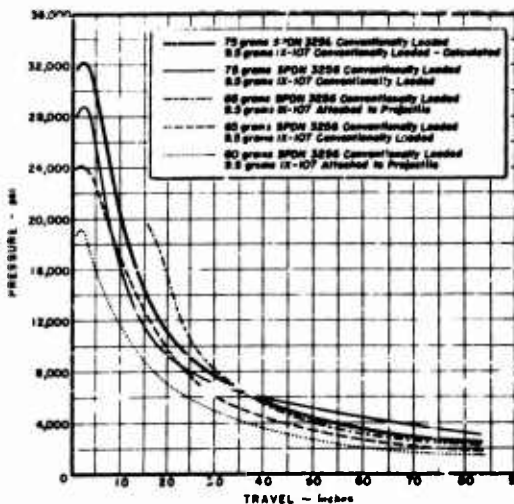


FIGURE 17

Average Pressure versus Projectile Travel for Firings with IX107 Grain in Combination with SPDN 3256



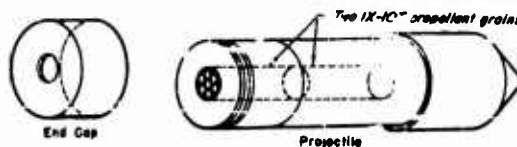
\*The composition of IX107 propellant and the dimensions of these grains are as follows:

Composition of IX107 Propellant	
	Weight Per cent
Nitrocellulose	30.5
Nitroglycerine	28.9
RDX	39.4
Centralite	1.0
Volatiles	0.2

\*\*Firings number 48 and 49.

FIGURE 16

Projectile-Propellant System Used in Firings with IX107 Propellant (Projectile Type ...)



C. FIRINGS WITH IX107 PROPELLANT GRAINS

A small lot of IX107 propellant grains\* was obtained from the Naval Powder Factory, Indian Head, Maryland, in order to evaluate this propellant for use in the 1.1-inch gun. These grains were suitable only for preliminary evaluation of the propellant. Following several preparatory rounds using IX107 grains alone, twenty-five rounds were fired using charges composed of combinations of SPDN 3256 and IX107 grains.\*\* The initial firings using this type charge were made with 60 grams of SPDN 3256 conventionally loaded and two grains of IX107 (8.7 grams) loaded in a cavity in the projectile (425-426 grams),\*\* as shown in Figure 16. The grains were held in place by the end cap, which was screwed over the projectile base. Burned areas were observed at the base of the cavity of the recovered projectiles indicating that ignition of the grains had occurred down the entire length of the perforations. The end cap was deformed during firing, however, enough to allow the propellant to separate from the projectile. Average pressure versus projectile displacement obtained in these firings is shown in Figure 17 as the light dotted curve.

The second series of firings was made using IX107 propellant grains either attached to the projectile or conventionally loaded, in combination

Dimensions of Seven-Perforated Grain

Outside Diameter	0.463 inch
Grain Length	1.117 inches
Perforation Diameter	0.045 inch

## IV. EXPERIMENTAL STUDIES IN GUN A

15

with conventionally loaded SPDN 3256. In this group of firings the thickness of the restraining plate in the end cap was increased to one-eighth inch. Even so, the end cap was deformed enough during firing to permit the propellant grains to escape. All firings in this group were made with 65 grams of SPDN 3256, 3.0 grams of black powder booster, Mark 42 electrical igniters, and two grains of IX107 propellant. Projectile weights for the two groups were 442 to 446 grams for conventional firings and 436 to 438 grams for the firings using attached IX107 grains. The use of slightly lighter projectiles with the attached charges was based on the assumption that about six grams of unburned propellant would remain in the projectile upon its discharge from the muzzle. In addition to the difference in projectile weights for the two sets of firings, possible differences in the form function of the IX107 grains may have existed. These differences might have resulted from (1) the fact that for conventional firings the grains were uninhibited while in the attached firings the outer grain surface was probably inhibited by a pressure contact with the wall of the projectile cavity when the propellant was in the cavity and (2) grain breakup of attached IX107 grains associated with deformation of the end cap.<sup>4</sup>

The data do indicate, however, that for the firing conditions employed, somewhat higher average muzzle velocities and quite different average pressures as a function of projectile displacement were obtained with the attached IX107 grains. The average of the muzzle velocities corrected to a temperature of 30°C for conventionally loaded charges was 1897 ft/sec as compared with the average corrected velocity for the attached-charge firings of 1935 ft/sec.<sup>4</sup> Average pressure versus projectile displacement for the attached-charge firings is shown in Figure 17 as the light dot-dashed curve while the light dashed curve was obtained for the comparison rounds fired with the entire charge conventionally loaded.

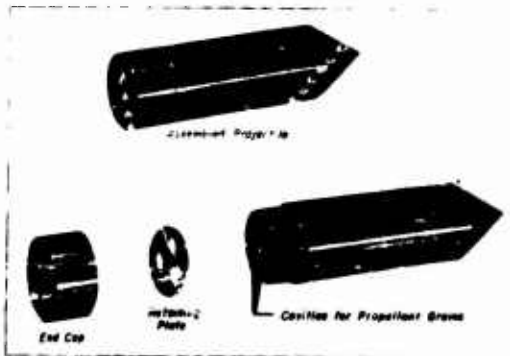
An additional series of firings was made using 75 grams of SPDN 3256 and two grains of IX107, conventionally loaded with a 433-gram projectile, to obtain data to compare with theoretical calculations.\*\* The average pressure versus projectile displacement obtained in this series is shown in Figure 17 as the light solid curve. Theoretical performance for these loading conditions was calculated using the system of Corner<sup>10</sup> to account for the bi-propellant charge. The results of this calculation are shown in Figure 17 as the heavy solid curve. The theoretical curve is in reasonable agreement with the experimental measurements.

## D. FIRINGS WITH M-7 PROPELLANT GRAINS

A series of firings was conducted with a bi-propellant charge composed of 60 grams of SPDN 3256 and approximately 20 grams (three grains) of M-7 propellant.\*\*\* These firings were made to compare performance with conventionally loaded M-7 grains to that when these grains are loaded in cavities in the base of the projectile. The projectile used in the attached-charge firings is shown in Figure 18.

Firings were made with SPDN 3256 and M-7 grains both conventionally loaded for three different projectile weights. Average muzzle velocities obtained in these firings were 1925 ft/sec for a 443-gram

FIGURE 18  
Projectile with Cavities for Loading  
M-7 Propellant Grains  
(Projectile Type 2)



\*IX107 grains attached to the projectile — Firings number 75, 76, 77, 78, 79, 80, and 81.  
IX107 grains conventionally loaded — Firings number 69, 70, 71, 72, 73, and 74.

\*\*Firings number 126, 127, 128, 129, 130, 131, 133, and 134.

\*\*\*The single-perforated M-7 grains used in these firings had an outside diameter of 0.375 inch and an inside diameter of 0.125 inch. For conventional loadings the grains were cut in one-inch lengths. Grains three inches in length were used in attached charges.

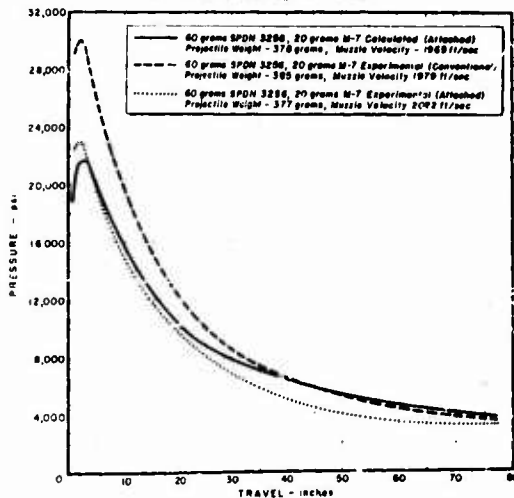
IV. EXPERIMENTAL STUDIES IN GUN A

projectile, \* 1943 ft/sec with a 402-gram projectile, \*\* and 1979 ft/sec with a 385-gram projectile.\*\*\* Average pressure as a function of projectile displacement obtained in these firings with a 402-gram projectile is shown in Figure 19 as the dashed curve. Theoretical performance calculated using the empirical form function for SPDN 3256 (see Section A) is also shown in Figure 19 as the solid curve. The calculated muzzle velocity, 1960 ft/sec, is quite close to the average experimental value of 1943 ft/sec. Except that the maximum calculated pressure exceeds the experimental value, the calculated curve is in reasonable agreement with the experimental data.

Six rounds were fired with the M-7 propellant grains attached to the projectile. The average maximum pressure measured as a function of projectile travel in these firings is shown as the dotted curve in Figure 20. For comparison the average maximum pressure observed in comparison firings with M-7 grains conventionally loaded is shown in Figure 20 as the dashed curve. These observed pressure curves indicate that the maximum pressure as a function of projectile displacement is reduced when the M-7 grains are attached to the projectile although the average measured muzzle velocity is increased from about 1979 ft/sec to 2022 ft/sec. The

FIGURE 20

Average Pressure versus Projectile Travel for Firings made with 20 Grams of M-7 and 60 Grams of SPDN 3256



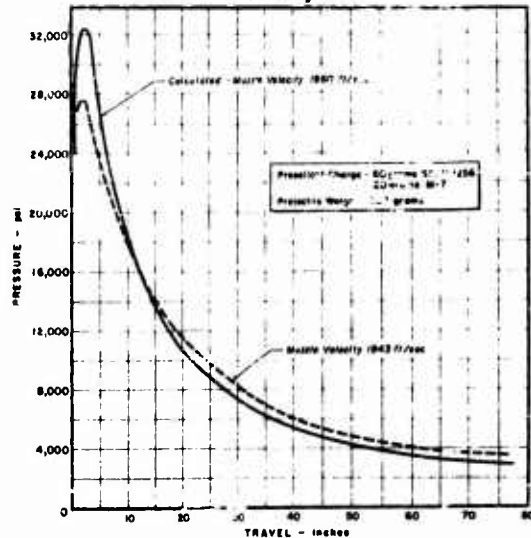
\*Firings number 83, 84, 85, 86, 87, and 88.

\*\*Firings number 96, 97, 101, 102, 103, 104, 120, 122, 123, 124, and 125.

\*\*\*Firings number 89, 90, 91, and 92.

FIGURE 19

Comparison of Observed Performance with Calculated Performance for a Charge Composed of 60 Grams of SPDN 3256 and 20 Grams of M-7 both Conventionally Loaded



calculated performance under the assumption that the M-7 grains are attached to the projectile is shown in Figure 20 as the solid curve. The calculated pressure curve is in good agreement with the observed curve although the calculated muzzle velocity of 1960 ft/sec was low compared to the average value measured under these conditions.

E. FIRINGS WITH POROUS GRAINS CAST FROM NITROCELLULOSE BALL POWDER

The linear burning velocity of even the fastest-burning conventional propellants is too low to permit their use as attached, cigarette-burning charges in the 1.1-inch gun. Two possible methods of obtaining a high mass rate of burning are the use of normal propellants with a grain designed to have a large burning surface, and the use of a porous propellant with an extremely high linear burning rate. Porous grains were made by cementing together preplasticized nitrocellulose ball powder. The propel-

CONFIDENTIAL

IV. EXPERIMENTAL STUDIES IN GUN A

17

lant was cured at 70° F and 1000 psi for 14 hours to form grains of the desired shape.

Grains of this type were cast into an opening three inches deep and one inch in diameter in the base of several projectiles. The charge as cast was approximately 2.5 inches long and weighed approximately 57 grams. The initial firing made with this charge used a standard igniter with five grams of JPN strip around the extension tube to increase the initial pressure. The muzzle velocity recorded was 220 ft/sec and the pressure was too low to measure. The projectile was recovered with most of the propellant intact. There was no visual evidence that burning had occurred. The missing propellant was probably lost when the projectile struck the sand in the gun butt. The length of the propellant grain had been reduced about one-half inch by the setback forces during the firing. A second firing was made with a porous attached charge and 60 grams of SPDN 3256 conventionally loaded. Extremely high pressures in this firing irreparably damaged the barrel and breech of the gun. It is believed that the rapid pressure rise due to the SPDN 3256 broke up the ball powder charge which in turn burned very rapidly to generate the excessive pressure.

CONFIDENTIAL

## V. EXPERIMENTAL STUDIES IN GUN B

Experimental firings in Gun B were conducted during the period from June 1954 to November 1954. Loading conditions and pertinent measured ballistic data for all firings in Gun B are given in Table II of Appendix A.

## A. FIRINGS WITH CONVENTIONALLY LOADED CHARGES OF SPDN 3256

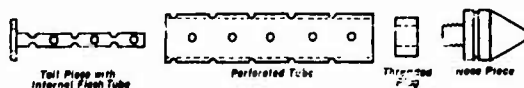
The initial firings in Gun B were designed to test the operation of the gun and instrumentation. These firings were made with a conventionally loaded charge of 90 grams of SPDN 3256. The first 13 firings of this 18-round series were made with projectiles having a phosphor bronze forcing band. Nominal weight of the projectile was 352 grams and weight of the forcing band was about 6 grams. Muzzle velocity of the first seven\* of these rounds measured using the photoelectric screens and the counter-chronograph was  $2185 \pm 78$  ft/sec. For the next six firings\*\* the muzzle velocity measured using the conducting glass slides and counter-chronograph was  $2185 \pm 39$  ft/sec.

A series of five rounds was fired with no forcing band on the projectiles.\*\*\* The average muzzle velocity\*\*\*\* for this series was  $1970 \pm 60$  ft/sec as measured with the photoelectric screens and counter-chronograph. The average value of the peak pressure measured in the firings with the forcing band was 25,900 psi, while the average peak pressure for the firings without the band was 14,800 psi.

## B. FIRINGS WITH BASKET-TYPE PROJECTILES

A series of firings was made in which the propellant was loaded in a perforated steel basket attached to the rear of the projectile. Figure 21 is a schematic drawing of one type of basket projectile. This projectile is assembled from four pieces: (1) a nosepiece; (2) a perforated tube with a wall thickness

FIGURE 21

Basket-Type Projectile  
(Projectile Type O)FIGURE 22  
Modified Basket-Type Projectile  
(Projectile Type O-2)

of 0.035 inch; (3) a threaded plug, which is silver soldered in the forward end of the perforated tube and into which the nose is screwed after the propellant is loaded; and (4) a tailpiece and an internal flash tube which is silver soldered into the perforated tube. A flash tube extension from the primer slipped into the permanent flash tube in the basket to ignite the propellant. Four firings were made

with projectiles of this type, Firings 163 through 166. In each case, mechanical failure of the projectile basket occurred.<sup>5</sup>

Six additional firings were made with redesigned basket-type projectiles. The projectiles, shown schematically in Figure 22, were fabricated from heat-treated alloy steel with the tubing and tailpiece an integral part. Fabrication of the nosepiece of the projectile was the same as with the projectiles shown in Figure 21. Firings 175 and 176 of this series were made with 50 grams of JPN strip propellant 0.045 inch thick loaded in the basket, while firings 177, 178, 185 and 186 were made with JPH strip propellant fabricated by cementing together two sheets of propellant each 0.024 inch thick. In each firing structural failure of the basket occurred, usually the tailpiece separating from the body of the basket.<sup>6</sup> No propellant was recovered in any of the projectiles.

\*Muzzle velocity measured using photoelectric screens -- Firings number 137, 138, 139, 140, 141, 142, and 143.

\*\*Muzzle velocity measured using conducting glass slides -- Firings number 144, 145, 146, 147, 148, and 149.

\*\*\*Firings number 150, 151, 152, 153, and 154.

\*\*\*\*The velocity recorded for Firing 154 is believed to be incorrect, and is not included.

For comparison, six rounds were fired with cemented JPH strip propellant conventionally loaded. For these firings the projectile was seated in a position such that the effective chamber volume was the same as in the attached firings. A five-inch flash tube was used with the conventional rounds but not with the basket projectiles. Curves of average maximum pressure recorded as a function of distance down the barrel from the breech for the attached-charge firings and for the conventionally loaded comparison rounds are shown in Figure 23. The maximum pressures recorded at the various gage positions are higher with the charge loaded in the basket and a reasonably constant pressure is obtained during the first 15 inches of projectile travel. The average muzzle velocity recorded for the attached-charge firings was 2087 ft/sec as compared with a velocity of 1891 ft/sec with the charge conventionally loaded. Unburned propellant recovered in front of the gun for the conventional firings averaged 0.008 inch thick in good agreement with theoretical predictions.

In addition, two firings were made with basket-type projectiles having a conical tail as shown in Figure 24. Theoretically, it is expected that use of such a design would result in the achievement of higher projectile velocities than attained with a square tail because the velocity of the gases away from the projectile would be higher and in turn the impulse effect would be increased. The average muzzle velocity obtained in these firings (Firings 188 and 189) with cemented JPH strip propellant was 2214 ft/sec. In both rounds the tailpiece separated from the body of the basket with no large pieces of the tail being recovered.

C. NINETY-ONE-PERFORATED GRAIN

The optimum propellant grain design for use as an attached charge has a small web and is very progressive. One approach to such a charge is a single ninety-one-perforated grain. A projectile was designed with a cavity in the base into which was cast a ninety-one-perforated double-base grain. These grains were made using plastisol-grade nitrocellulose.\*

Plastisol-grade nitrocellulose (12.6 per cent N) was made by both the colloid-free and the colloid process to cast these grains. The plastisols had the following composition:

Ingredient	Percentage
Nitrocellulose (12.6 per cent N)	50
Nitroglycerin	45
Diethylphthalate	5

When ninety-one-perforated grains were cast with small-particle nitrocellulose made by the colloid-free process, the mold could not be removed without tearing the grain. Acceptable grains were cast, however, when the nitrocellulose particles were coated with Kelcoloid LV.

\*The propellant adhered to the perforation and was stripped out of the projectile even though the perforation was Teflon coated and the interior of the projectile was threaded for better retention of the propellant grain.

FIGURE 23  
Comparison of Average-Pressure versus Distance from the Breech for Basket-Type Projectile and Conventional Firings

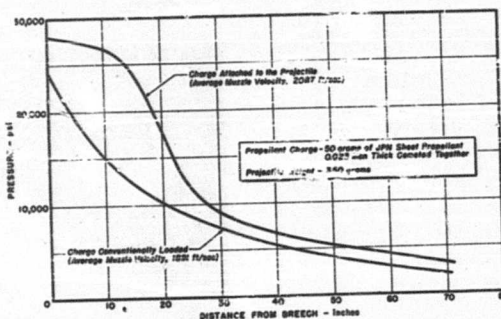
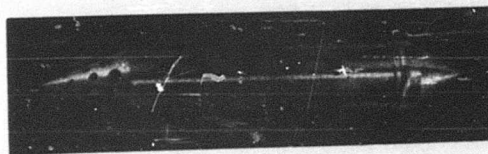


FIGURE 24  
Basket-Type Projectile with Conical Tail (Projectile Type Q)



CONFIDENTIAL

20

V. EXPERIMENTAL STUDIES IN GUN B

One round, Firing 187, was fired with a ninety-one-perforated grain cast in the base of a projectile as shown in Figure 25. Both muzzle velocity and maximum pressure recorded in the firing were relatively low. The recovered projectile indicated that the end cap had been sheared off during the firing and that no unburned propellant remained in the projectile.

Additional experimental studies with this type projectile were in process when the program was discontinued.

FIGURE 25  
Ninety-One-Perforated Grain and Projectile  
(Projectile Type J-2)



CONFIDENTIAL

## VI. INTERIOR BALLISTIC STUDIES

As a parallel to the experimental gun firings, interior ballistic studies were made to aid in the interpretation of experimental results and in the design of propellant charges.

## A. CALCULATED SHOT-START PRESSURE AND RETARDING FORCE ON THE PROJECTILE

A method was developed to calculate, for a given set of loading conditions and with assumed values of maximum pressure and muzzle velocity, explicit values of shot-start pressure and retarding force on the projectile.<sup>6</sup> Using values of average muzzle velocity and maximum pressure recorded in the series of Firings 167-172, shot-start pressure was estimated to be 13,300 psi and the retarding force on the projectile was estimated to be 2850 pounds. These firings were made with conventionally loaded JPN strip propellant 0.045 inch thick. These values of shot-start pressure and retarding force were employed to calculate the performance for firings using a 50-grain charge of JPH strip propellant conventionally loaded. The calculated values of maximum pressure and muzzle velocity were in good agreement with those observed for firings made with this charge.<sup>6</sup>

## B. PRESSURE DROP BETWEEN BREECH AND PROJECTILE

Analysis of firing curves in which pressure was measured at various positions down the gun barrel indicated that the pressure drop from the breech to the first gage position just forward of the base of the projectile was greater than predicted by conventional interior ballistic theory.<sup>7</sup> Most interior ballistic systems are of sufficient accuracy to be used for calculating maximum pressure and muzzle velocity for conventional gun systems, but are inadequate for firing conditions in which the propellant burns throughout the time the projectile is in the gun. These systems are also inadequate as a theoretical basis for the comparison of experimental pressures obtained at various bore positions.

Interior ballistic calculations require an accurate relationship for the pressure gradient between the breech and the base of the projectile in order to determine the momentum of the propellant and propellant gases and the acceleration of the projectile. The simplest solutions to the hydrodynamic problems of distribution of pressure, density, and gas velocity between the breech and the base of the projectile are based upon the assumption that the density of the propellant gas is constant down the bore. Based on this assumption the following relationships are obtained:<sup>10</sup>

Velocity Distribution:

$$v = \frac{x}{y} \frac{dy}{dt} \quad (1)$$

Ratio of pressure at breech to pressure on the base of the projectile:

$$\frac{P_b}{P_s} = 1 + \frac{C_1}{2W} \quad (2)$$

where  $x$  is the distance from the breech,  $y$  the coordinate of the base of the projectile,  $\frac{dy}{dt}$  the projectile velocity,  $P_b$  the breech pressure,  $P_s$  the pressure on the base of the projectile,  $C_1$  the powder mass, and  $W$  the projectile mass.

Equation (2) indicates that the relationship between breech and shot pressure is independent of the velocity or displacement of the projectile, in disagreement with the intuitive concept that the pressure gradient should be zero when  $y=0$  and should increase with projectile travel down the bore. Hunt<sup>11</sup> derives Equation (2) and obtains an indirect dependency of the pressure gradient on projectile travel by assuming that the unburned propellant remains at rest in the chamber. Then  $C_1$  in his equation is the weight of the propellant burned, which is indirectly related to the displacement of the projectile.

The more elaborate solution to the hydrodynamic problem given by both Pidduck<sup>12</sup> and Kent<sup>13</sup> for

CONFIDENTIAL

22

VI. INTERIOR BALLISTIC STUDIES

the ratio of pressure at the breech to the pressure on the base of the projectile is:

$$\frac{P_b}{P_s} = 1 + \frac{C_1}{2W} - \frac{1}{24\gamma} \left(\frac{C_1}{W}\right)^2 + \left(\frac{1}{80\gamma} + \frac{1}{360\gamma^2}\right) \left(\frac{C_1}{W}\right)^3 + \dots \quad (3)$$

where  $\gamma$  is the ratio of specific heats of the propellant gases. This solution is very close to the conventional approximation given in Equation (2), differing only by terms of higher powers of  $\frac{C_1}{W}$ , and again does not indicate any dependency of the pressure drop on projectile travel. On the basis of the assumptions made by Pidduck and Kent to describe the hydrodynamic problem, the initial density decreases from breech to projectile in disagreement with the previous assumption of constant density.

The importance of the density gradient on the ratio of breech pressure to pressure on the base of the projectile has been considered<sup>7</sup> making the assumption that the gas density,  $\rho$ , can be expressed as the polynomial,

$$\rho = \frac{C_1}{A} \sum_{j=0}^m \frac{a_j x^j}{y^{j+1}}$$

where  $A$  is the cross section of the base of the projectile, and  $a_0, a_1, \dots, a_m$  are arbitrary constants. Under this assumption, integration of the equation of continuity

$$\frac{d\rho}{dt} + \frac{d}{dx} (\rho v) = 0 \quad (4)$$

gives the following expression for the velocity of the gases at any position

$$v = \frac{x}{y} \frac{dy}{dt} \quad (5)$$

which is identical to the expression obtained under the assumption of a constant density.

To determine the ratio of pressure at the breech to pressure at the base of the projectile for the assumed density function, Equation (5) is used together with the equation of motion of the gas

$$\frac{dv}{dt} + v \frac{dv}{dx} = -\frac{1}{\rho} \frac{d\rho}{dx} \quad (6)$$

to obtain

$$\frac{P_b}{P_s} = 1 + \frac{C_1}{W} \sum_{j=0}^m \frac{a_j}{1+2j} \quad (7)$$

which for a constant density reduces to Equation (3).

If the existence of pressure waves is neglected, the gas density probably decreases monotonically from breech to projectile. For the case in which the density is a quadratic in  $x$

$$\rho = \frac{C_1}{Ay} \left[ a_0 + a_1 \frac{x}{y} + a_2 \left(\frac{x}{y}\right)^2 \right]$$

and the density at the breech is 110 per cent of the average density, the constants can be evaluated as follows:

$$\begin{aligned} a_0 &= 1.1 \\ a_1 &= -(0.2 + \frac{2}{3} a_2) \\ -0.35 \leq a_2 &\leq 0.15 \end{aligned}$$

CONFIDENTIAL

The pressure ratio  $\frac{P_b}{P_s}$  under these conditions becomes

$$\frac{P_b}{P_s} = 1 + \frac{G}{W} \left[ \frac{29}{60} + \frac{92}{36} \right] \quad (8)$$

Thus from comparison of Equation (7) with Equation (8) it is concluded that the variation of gas density down the bore has little effect on the magnitude of the ratio of breech to projectile pressure.

C. INTERIOR BALLISTIC SYSTEM FOR ATTACHED CHARGE

An interior ballistic system was developed to calculate the performance for cartridges in which a conventional propellant charge was attached to the projectile or when part of the propellant was conventionally loaded and part attached to the projectile. In this system the form function of the propellant charge and the propellant burning rate are used to determine an equivalent mass burning rate for an assumed end burning charge attached to the projectile. In general, for conventional propellant charges the system predicts that the gas column to the rear of the projectile flows away from the projectile during the early part of projectile travel and thereafter flows in the same direction as the projectile.

The equations forming the basis of the interior ballistic system are:

Equation of Motion:

$$P_s A - F = M \frac{dV_p}{dt} \quad (9)$$

Equation of State:

$$P(v-\eta) = NRT_v \quad (10)$$

where

$$v = \frac{V_j + AX}{C_{ij} + C_{sj}} + \frac{i}{\rho} \quad (10a)$$

and

Equation of State at Rear of Combustion Zone:

$$P_z = \frac{NRT_p}{\rho_g^{-1} - \eta} \quad (11)$$

Energy Balance:

$$-\int_{T_v}^T C_v (C_{ij} + C_{sj}) dT = \frac{M'V_p^2}{2} + \int_0^X \frac{(X - \frac{C_s - C_{sj}}{\rho A})}{\rho_s AV_s^2} dx + \int_0^X F dx \quad (12)$$

$$\left( \frac{V_j}{A} + \frac{C_i + C_{sj}}{\rho A} \right)$$

or assuming a Kent distribution of the propellant and propellant gases to the rear of the combustion zone:

$$C_v (C_{ij} + C_{sj})(T_v - T) = \frac{M'V_p^2}{2} + \frac{C_i + C_{sj}}{2\delta} (V_p - V_g)^2 + FX \quad (13)$$

Velocity of Gases Leaving Combustion Zone:

$$V_g = \frac{(P - P_g) r'}{\rho_g} \quad (14)$$

Pressure Drop across Combustion Zone:

$$P_s - P_z = \rho r' V_g \quad (15)$$

CONFIDENTIAL

24

VI. INTERIOR BALLISTIC STUDIES

Relationship between Space Average Pressure and Pressure at Rear of Combustion Zone:

$$P = P_z + \frac{C_1 C_{2j}}{\delta A} \left[ \frac{dV_p}{dt} - \frac{dV_g}{dt} - \frac{(V_p - V_g)(V_g + r')}{x + \frac{V_i}{A} + \frac{C_1 + C_{2j}}{\rho A}} \right] \quad (16)$$

Form Functions of Propellant Grains:

$$C_{1j} = \alpha_1 L_1 + \beta_1 L_1^2 + \gamma_1 L_1^3 \quad (17)$$

$$C_{2j} = \alpha_2 L_2 + \beta_2 L_2^2 + \gamma_2 L_2^3 \quad (18)$$

where

$$L_1 = K \int_0^t P^n dt \quad (17a)$$

$$L_2 = K \int_0^t \left( \frac{P_z + P_s}{2} \right)^n dt \quad (18a)$$

Effective Burning Rate of Attached Charge:

$$r' = \frac{1}{\rho A} \frac{dC_{2j}}{dt} = \frac{1}{\rho A} (\alpha_2 + 2\beta_2 L_2 + 3\gamma_2 L_2^2) \frac{dL_2}{dt} \quad (19)$$

where

- A = cross-sectional area of bore
- C<sub>1</sub> = total unattached charge weight
- C<sub>2</sub> = total attached charge weight
- C<sub>1j</sub> = weight of C<sub>1</sub> burned at time t
- C<sub>2j</sub> = weight of C<sub>2</sub> burned at time t
- C<sub>v</sub> = specific heat of powder gas at constant volume
- F<sub>R</sub> = frictional resistance to projectile motion
- L<sub>1</sub> = distance burned through C<sub>1</sub> grain at time t
- L<sub>2</sub> = distance burned through C<sub>2</sub> grain at time t
- M = total mass being accelerated; M = weight of projectile + C<sub>2</sub> - C<sub>2j</sub>
- M' = mass accelerated, adjusted for record heat loss, rotation, etc.
- N<sub>R</sub> = gas constant
- n = burning rate pressure exponent
- P = space average pressure in tube
- P<sub>z</sub> = pressure at flame zone
- P<sub>s</sub> = pressure on base of projectile
- P<sub>b</sub> = pressure at breech
- r' = effective burning rate of C<sub>2</sub>
- T<sub>v</sub> = constant volume flame temperature
- T<sub>p</sub> = constant pressure flame temperature
- V<sub>p</sub> = velocity of projectile with respect to gun
- V<sub>g</sub> = velocity of gases leaving flame zone with respect to projectile
- V<sub>i</sub> = velocity with respect to gun of gases at any X-section
- v = specific volume of powder gases
- V<sub>i</sub> = initial free volume

CONFIDENTIAL

CONFIDENTIAL

VI. INTERIOR BALLISTIC STUDIES

25

- $W$  = weight of projectile  
 $X$  = displacement of projectile from initial pose  
 $x$  = distance of any X-section from initial position of projectile  
 $\gamma$  = ratio of specific heats of propellant gases  
 $\alpha_i, \beta_i, \gamma_i$  = coefficients used in form function  
 $\delta$  = constant used in Kent distribution of gases  
 $\eta$  = co-volume of gases  
 $K$  = burning rate of coefficient  
 $\rho$  = density of solid propellant  
 $\rho_0$  = density of propellant gases leaving flame zone  
 $\rho_x$  = density of gases at any X-section

These equations are solved using a stepwise, iterative procedure to determine ballistic performance for a given set of loading conditions and propellant parameters.

CONFIDENTIAL

## VII. CONCLUSIONS AND RECOMMENDATIONS

## A. GUN RANGE AND INSTRUMENTATION DEVELOPED TO CONDUCT EXPERIMENTAL FIRINGS

A gun range was constructed and an instrumentation system developed to measure ballistic parameters in the experimental firings of modified 1.1-inch guns. The instrumentation system which was evolved during the program was functional and reliable.

The modified 1.1-inch guns were not entirely satisfactory for use in this study. The major difficulty was the extremely small propellant web that could be burned. As a result, the design and fabrication of progressive propellant charges and the procurement of adequate standard test propellant was difficult. If further studies are conducted it is recommended that a 3"/70 caliber gun be employed.

## B. PRESSURE AT BREACH MEASURED WITH A PRESSURE GAGE-IGNITER COMBINATION

A pressure gage-igniter combination was developed to measure chamber pressure. With this gage, which fits into the cartridge case, drilling through the receiver into the chamber and aligning this pressure passage with a hole in the cartridge case is eliminated. These gages gave excellent, oscillation-free pressure traces. The major problem with the gage was the effect of the hot gases which surrounded the gage housing on the gage sensitivity.

## C. IGNITION OF INHIBITED JPN SHEET PROPELLANT DIFFICULT

A progressive charge was fabricated by inhibiting 0.078 inch thick JPN sheet propellant with a 0.003-inch film of ethyl cellulose and by making cuts one-sixteenth inch apart through the inhibitor on both sides of the sheet. It was found that propellant prepared in this manner was extremely difficult to ignite in gun firings.

## D. HIGHER MUZZLE VELOCITIES OBTAINED IN FIRINGS WITH EITHER IX107 OR M-7 GRAINS ATTACHED TO THE PROJECTILE

The average muzzle velocity obtained in firings in which either IX107 or M-7 propellant grains were attached to the projectile in combination with conventionally loaded SPDN 3256 was somewhat higher than the muzzle velocity obtained in comparison firings in which all the propellant charge was conventionally loaded. Comparison of average pressure as a function of projectile travel for the two loading conditions indicated that lower pressures were obtained when the propellant grains were attached.

When either IX107 or M-7 grains were attached to the projectile the end caps which initially restrained the grains in cavities in the projectile base were deformed enough to allow the grains to escape.

## E. HIGHER MUZZLE VELOCITIES OBTAINED IN FIRINGS WITH BASKET-TYPE PROJECTILES

The average muzzle velocity recorded for firing in which the propellant was loaded in a steel basket attached to the base of the projectile was about 200 ft/sec higher than the average muzzle velocity recorded in firings with the same charge and projectile weight in which the propellant was conventionally loaded. The maximum pressures recorded at the various gage positions were higher when the charge was loaded in the basket and a reasonably constant pressure was obtained during the first 15 inches of projectile travel.

In each firing with a basket-type projectile structural failure of the basket occurred, usually the tailpiece separating from the body of the basket. No propellant was recovered in any of the projectiles.

## F. METHOD DEVELOPED FOR CALCULATION OF THEORETICAL PERFORMANCE OF ATTACHED PROPELLANT CHARGE OR ATTACHED CHARGE IN COMBINATION WITH A CONVENTIONALLY LOADED CHARGE

An interior ballistic system was developed to calculate the theoretical performance for firings in which a conventional charge is attached to the projectile, or when part of the propellant is conventionally loaded and part attached to the projectile. In this system the form function of the propellant charge and the

CONFIDENTIAL

VII. CONCLUSIONS AND RECOMMENDATIONS

27

propellant burning rate are employed to determine an equivalent mass burning rate for an assumed end-burning charge attached to the projectile. In general, for conventional propellant charges the calculation predicts that the gases to the rear of the projectile flow away from the projectile during the early part of the projectile travel and thereafter flow in the same direction as the projectile.

A stepwise iterative procedure is employed to solve the equations describing the ballistic system. Calculated performance curves are in reasonable agreement with experiment.

**G. DESIGN OF ATTACHED CHARGES USING CONVENTIONAL PROPELLANTS REQUIRES HIGHLY PROGRESSIVE, SMALL-WEB GRAINS**

Propellant charges designed with conventional propellants to approach the performance of an impulse gun in the modified 1.1-inch guns require highly progressive grains with small web. The most promising approach was found to be a ninety-one-perforated grain cast in a cavity in the base of a projectile. Successful grains of this type were made with plastisol-grade nitrocellulose. These grains were composed of 50 per cent nitrocellulose (12.6 per cent N), 45 per cent nitroglycerin and 5 per cent diethyl phthalate. Only one round was fired, however, before the program was terminated. It is suggested that the use of such grains as attached charges be further investigated.

**H. MECHANICAL ATTACHMENT OF PROPELLANT CHARGE TO THE PROJECTILE A MAJOR PROBLEM**

A major problem in the utilization of conventional propellants in accordance with the attached-charge principle in the modified 1.1-inch gun was mechanical attachment of the propellant to the projectile. The forces involved in accelerating projectiles to high velocities often exceed the strength of both propellant and practical metal parts used to transmit the accelerating force from the projectile to the propellant. In no experimental firing (with a reasonable muzzle velocity) in which part of the attached propellant was not expected to burn did unburned propellant remain in the projectile throughout projectile travel. In addition, even the strongest basket-type projectile employed in this program suffered mechanical failure either during travel in the gun tube or after leaving the bore. It is suggested that further investigation of basket-type projectiles be undertaken to determine the mechanism of structural failure which occurred in experimental firings.

CONFIDENTIAL

CONFIDENTIAL

APPENDIX A

28

Table I

Loading Conditions and Ballistic Parameters for Firings Conducted in Gun A

Firing No.	Propellant	Weight (Gms)	Loading	Projectile Type	Igniter Charge	Booster Charge (Gms)	Projectile Weight (Gms)	Temperature (°F)	Chamber Pressure	Pos. 1 Pressure (psi)	Pos. 2 Pressure (psi)	Pos. 3 Pressure (psi)	Pos. 4 Pressure (psi)	Muzzle Velocity (ft/sec)
1	SPDN 3256	35.0	Conv.	C	-	-	-	-	-	8,000	-	-	-	-
2	SPDN 3256	35.0	Conv.	C	9.2 g B.P.	-	-	-	-	-	-	-	-	-
3	SPDN 3256	30.0	Conv.	C	-	-	-	-	-	-	-	-	-	-
4	SPDN 3256	50.0	Conv.	C	5.0 g B.P.	-	303.1	-	-	-	-	-	-	-
5	SPDN 3256	50.0	Conv.	C	5.0 g B.P.	-	301.8	-	-	-	-	-	-	-
6	SPDN 3256	50.0	Conv.	C	5.0 g B.P.	-	301.5	-	-	-	-	-	-	1600
7	SPDN 3256	50.0	Conv.	C	5.0 g B.P.	-	301.0	-	-	-	-	-	-	564
8	SPDN 3256	50.0	Conv.	C	5.0 g B.P.	-	304.0	-	-	-	-	-	-	-
9	SPDN 3256	80.0	Conv.	C	5.0 g B.P.	-	306.0	-	-	-	-	-	-	-
10	SPDN 3256	60.0	Conv.	C	5.0 g B.P.	-	304.0	-	-	10,000	4,800	-	-	1363
11	SPDN 3256	47.7	Conv.	C	5.0 g B.P.	2.0	301.0	38.0	-	-	-	-	-	940
12	SPDN 3256	45.7	Conv.	C	5.0 g B.P.	-	306.8	37.0	-	-	-	-	-	938
13	JFN Strip	46.3	Conv.	C	5.0 g D.P.	-	307.0	40.0	-	-	-	-	-	1977
14	SPDN 3256	43.6	Conv.	C	3.4 g B.P.	14.0	309.0	38.0	-	-	-	-	-	1984
15	JFN Strip	45.4	Conv.	C	5.4 g B.P.	-	301.0	-	-	-	-	-	-	1824
16	JFN Strip	45.4	Conv.	C	9.0 g B.P.	-	302.0	42.5	-	-	-	-	-	1717
17	SPDN 3256	54.0	Conv.	C	7.7 g B.P.	-	308.8	-	-	18,280	-	-	-	3044
18	SPDN 3256	80.0	Conv.	C	5.0 g B.P.	-	308.6	-	-	-	-	-	-	1577
19	SPDN 3256	80.0	Conv.	C	5.0 g B.P.	8.0	307.0	38.0	-	-	-	-	-	946
20	SPDN 3256	45.6	Conv.	C	5.0 g B.P.	8.0	304.0	38.0	-	-	-	-	-	981
21	SPDN 3256	45.6	Conv.	C	2.0 g B.P.	1.0	309.0	-	-	9,280	-	-	-	903
22	SPDN 3256	45.6	Conv.	C	2.0 g B.P.	6.0	302.8	-	-	-	21,100	12,800	-	-
23	SPDN 3256	47.7	Conv.	C	2.0 g B.P.	6.0	303.8	-	-	-	-	-	-	1618
24	SPDN 3256	50.0	Conv.	C	1.3 g B.P.	1.7	307.0	54.0	-	-	-	-	-	1280
25	SPDN 3256	50.0	Conv.	C	1.3 g B.P.	1.9	308.0	-	-	-	-	-	-	1618
26	SPDN 3256	80.0	Conv.	C	2.8 g B.P.	2.1	310.0	48.0	-	-	-	-	-	3040
27	SPDN 3256	80.0	Conv.	C	1.9 g B.P.	2.0	308.0	62.0	-	-	4,000	-	-	3000
28	SPDN 3256	80.0	Conv.	C	1.9 g B.P.	1.1	306.0	54.8	-	-	-	-	-	3000
29	SPDN 3256	80.0	Conv.	C	1.7 g B.P.	1.3	308.0	-	-	-	-	-	-	1585
30	SPDN 3256	70.0	Conv.	C	Mx 43	2.0	308.0	57.0	-	24,300	-	-	-	-
31	SPDN 3256	80.0	Conv.	C	Mx 43	2.0	308.0	54.0	-	-	-	-	-	-
32	SPDN 3256	80.0	Conv.	C	Mx 43	2.0	312.0	52.0	-	-	-	-	-	-
33	SPDN 3256	80.0	Conv.	C	Mx 43	2.2	306.0	62.8	-	-	-	-	-	1967
34	SPDN 3256	80.0	Conv.	C	Mx 43	2.8	309.0	62.0	-	-	-	-	-	1967
35	SPDN 3256	80.0	Conv.	C	2.8 g B.P.	0.7	312.8	62.0	-	-	28,480	-	-	-
36	JFN Strip	48.0	Conv.	C	2.8 g B.P.	-	310.0	-	-	7,800	-	-	-	-
37	SPDN 3256	80.0	Conv.	C	Mx 43	2.0	310.0	78.0	-	-	-	-	-	1735
38	SPDN 3256	80.0	Conv.	C	Mx 43	2.0	318.0	78.0	-	-	-	-	-	1834
39	SPDN 3256	80.0	Conv.	C	1.0 g B.P.	2.0	311.0	64.8	-	18,700	-	-	-	1864
40	SPDN 3256	80.0	Conv.	C	Mx 43	2.4	311.0	78.0	-	-	4,800	3,800	-	1748
41	JFN Strip	50.8	Conv.	C	1.0 g B.P.	2.0	310.0	81.0	-	10,800	-	-	-	1748
42	JFN Strip	46.0	Conv.	C	1.0 g B.P.	1.0	308.0	72.0	-	-	-	-	-	497
43	JFN Strip	50.2	Conv.	C	1.0 g B.P.	2.0	313.0	71.0	-	-	-	-	-	497
44	IX 107	23.6	Conv.	C	1.0 g B.P.	2.0	308.0	78.0	-	-	-	-	-	482
45	IX 107	28.3	Conv.	C	2.8 g B.P.	1.9	309.8	-	-	-	-	-	-	472
46	JFN Strip	40.6	Conv.	C	1.0 g B.P.	2.0	310.0	-	-	6,800	-	-	-	3000
47	SPDN 3256	80.0	Conv.	C	1.0 g B.P.	2.0	310.0	68.0	-	-	-	-	-	1963
48	IX 107	8.6	Conv.	C	-	-	-	-	-	6,000	4,800	-	-	-
49	SPDN 3256	80.0	Conv.	C	Mx 43	2.8	428.4	-	-	-	8,100	4,800	2,800	1944
50	IX 107	8.4	Conv.	C	-	-	-	-	-	19,280	-	-	-	-
51	IX 107	8.8	Conv.	C	-	-	-	-	-	-	-	-	-	1417
52	SPDN 3256	80.0	Conv.	C	Mx 43	2.8	310.0	-	-	8,000	8,100	-	-	1844
53	SPDN 3256	80.0	Conv.	C	Mx 43	2.8	308.0	68.0	-	12,800	4,700	-	900	1447
54	SPDN 3256	80.0	Conv.	C	1.0 g B.P.	2.8	311.6	-	-	18,000	6,200	-	-	1781
55	SPDN 3256	80.0	Conv.	C	1.0 g B.P.	2.8	311.0	78.0	-	-	8,750	-	-	1888
56	SPDN 3256	80.0	Conv.	C	1.0 g B.P.	2.8	311.0	78.0	-	18,800	18,800	3,800	2,800	1716
57	JFN Strip	33.0	Conv.	C	1.5 g B.P.	1.5	324.4	-	-	6,800	6,800	-	-	884
58	JFN Strip	33.0	Conv.	C	1.5 g B.P.	1.5	322.0	-	-	-	-	-	1,900	843
59	JFN Strip	33.0	Conv.	C	1.5 g B.P.	1.5	322.0	-	-	-	-	-	-	836
60	SPDN 3256	80.0	Conv.	C	Mx 43	2.8	311.0	-	-	-	19,280	15,780	2,800	2280
61	SPDN 3256	80.0	Conv.	C	1.0 g B.P.	2.8	311.0	81.0	-	-	-	-	-	2321
62	SPDN 3256	80.0	Conv.	C	1.0 g B.P.	2.8	311.0	104.0	-	-	-	-	-	2410
63	IX 107	9.6	Conv.	C	1.0 g B.P.	2.0	311.0	104.0	-	10,300	4,000	-	2,175	1770
64	SPDN 3256	80.0	Conv.	C	Mx 43	2.8	424.2	109.0	-	-	-	-	-	1763
65	IX 107	7.8	Conv.	C	-	-	-	-	-	18,700	4,000	2,280	-	1788
66	SPDN 3256	80.0	Conv.	C	1.0 g B.P.	2.8	322.0	84.0	-	-	-	-	-	1786
67	JFN Strip	50.0	Conv.	C	1.0 g B.P.	2.0	308.0	92.0	-	21,000	5,000	-	3,700	1791
68	IX 107	8.0	Conv.	C	Mx 43	1.2	448.0	84.0	-	-	-	-	-	886
69	IX 107	8.0	Conv.	C	Mx 43	1.2	448.0	84.0	-	-	-	-	-	830
70	SPDN 3256	80.0	Conv.	C	Mx 43	3.0	444.0	98.0	-	-	-	-	2,200	1880
71	SPDN 3256	80.0	Conv.	C	Mx 43	3.0	448.0	78.0	-	24,280	-	-	2,800	1907
72	IX 107	9.7	Conv.	C	Mx 43	3.0	446.0	78.0	-	-	-	-	-	1907
73	SPDN 3256	80.0	Conv.	C	Mx 43	3.0	444.0	82.0	-	-	-	-	-	1908
74	IX 107	9.7	Conv.	C	Mx 43	3.0	442.0	78.0	-	-	-	-	-	1908
75	SPDN 3256	80.0	Conv.	C	Mx 43	3.0	442.0	78.0	-	-	10,800	4,800	2,800	1908
76	IX 107	9.7	Conv.	C	Mx 43	3.0	448.0	82.0	-	-	-	-	-	1908
77	SPDN 3256	80.0	Conv.	C	Mx 43	3.0	438.1	87.0	-	-	-	-	-	1908
78	IX 107	9.2	Conv.	C	Mx 43	3.0	437.0	81.0	-	-	-	-	-	1908
79	SPDN 3256	80.0	Conv.	C	Mx 43	3.0	437.0	85.0	-	-	18,800	-	-	1934
80	IX 107	9.2	Conv.	C	Mx 43	3.0	437.5	88.0	-	-	-	-	-	1934
81	SPDN 3256	80.0	Conv.	C	Mx 43	3.0	438.0	97.8	-	-	-	-	-	1961
82	IX 107	9.7	Conv.	C	Mx 43	3.0	438.0	97.8	-	-	-	-	-	1961

CONFIDENTIAL

APPENDIX A

Table I (Cont'd)

Loading Conditions and Ballistic Parameters for Firings Conducted in Gun A

Firing No	Propellant	Weight (Gms)	Loading	Projectile Type	Igniter Charge	Booster Charge (Gms)	Projectile Weight (Gms)	Temperature (°F)	Chamber Pressure	Pos. 1 Pressure (psi)	Pos. 2 Pressure (psi)	Pos. 3 Pressure (psi)	Pos. 4 Pressure (psi)	Muzzle Velocity (ft/sec)	
81	SPDN 3256	65.0	Conv.	F	Mk 42	3.0	433.0	77.0	—	—	12,750	8,750	3,750	1803	
	IX 107	9.4	Att.	—	—	—	—	—	—	—	—	—	—	—	
82	M-7	18.0	Conv.	G	1.0 g B.P.	2.0	444.0	87.0	—	—	—	—	—	704	
83	SPDN 3256	80.0	Conv.	G	1.5 g B.P.	3.0	442.0	84.0	—	—	—	—	—	—	
	M-7	20.0	Conv.	—	—	—	—	—	—	—	—	—	—	—	
84	SPDN 3256	80.0	Conv.	G	1.5 g B.P.	3.0	442.0	84.0	—	—	—	—	—	—	
	M-7	20.0	Conv.	—	—	—	—	—	—	—	—	—	—	—	
85	SPDN 3256	80.0	Conv.	G	1.0 g B.P.	2.0	443.5	90.0	—	—	4,000	—	—	1883	
	M-7	20.5	Conv.	—	—	—	—	—	—	—	—	—	—	—	
86	SPDN 3256	80.0	Conv.	G	1.0 g B.P.	2.0	443.2	98.0	—	—	11,700	11,800	—	1921	
	M-7	20.7	Conv.	—	—	—	—	—	—	—	—	—	—	—	
87	SPDN 3256	80.0	Conv.	G	1.0 g B.P.	2.0	443.0	97.0	—	—	16,770	10,600	4,100	1532	
	M-7	20.0	Conv.	—	—	—	—	—	—	—	—	—	—	—	
88	SPDN 3256	80.0	Conv.	G	1.0 g B.P.	2.0	442.3	85.0	—	—	—	—	8,800	1285	
	M-7	21.0	Conv.	—	—	—	—	—	—	—	—	—	—	—	
89	SPDN 3256	80.0	Conv.	G	1.0 g B.P.	2.0	383.8	101.0	—	31,850	12,300	—	—	3003	
	M-7	20.4	Conv.	—	—	—	—	—	—	—	—	—	—	—	
90	SPDN 3256	80.0	Conv.	G	1.0 g B.P.	2.0	391.7	100.0	—	28,500	12,750	17,800	9,000	1984	
	M-7	20.5	Conv.	—	—	—	—	—	—	—	—	—	—	—	
91	SPDN 3256	80.0	Conv.	G	1.0 g B.P.	2.0	384.0	94.0	—	—	—	—	4,800	1984	
	M-7	20.4	Conv.	—	—	—	—	—	—	—	—	—	—	—	
92	SPDN 3256	80.0	Conv.	G	1.0 g B.P.	2.0	382.0	100.0	—	—	—	—	—	1943	
	M-7	20.0	Conv.	—	—	—	—	—	—	—	—	—	—	—	
93	SPDN 3256	80.0	Conv.	C	1.0 g B.P.	2.0	308.0	88.0	—	12,800	6,800	—	—	1912	
	M-7	20.0	Conv.	—	—	—	—	—	—	—	—	—	—	—	
94	SPDN 3256	80.0	Conv.	C	1.0 g B.P.	2.0	323.0	82.0	—	—	—	—	—	1742	
	M-7	20.0	Conv.	—	—	—	—	—	—	—	—	—	—	—	
95	SPDN 3256	80.0	Conv.	C	1.0 g B.P.	2.0	324.0	83.0	—	—	—	—	—	1726	
	M-7	20.0	Conv.	—	—	—	—	—	—	—	—	—	—	—	
96	SPDN 3256	80.0	Conv.	C	1.0 g B.P.	2.0	402.0	92.0	—	—	—	—	—	1923	
	M-7	20.0	Conv.	—	—	—	—	—	—	—	—	—	—	—	
97	SPDN 3256	80.0	Conv.	G	1.0 g B.P.	2.0	401.0	85.0	—	25,400	11,300	800	3,000	2016	
	M-7	20.0	Conv.	—	—	—	—	—	—	—	—	—	—	—	
98	SPDN 3256	80.0	Conv.	I	1.0 g B.P.	2.0	377.4	85.0	—	—	—	—	—	2334	
	M-7	20.0	Att.	—	—	—	—	—	—	—	—	—	—	—	
99	SPDN 3256	80.0	Conv.	I	1.0 g B.P.	2.0	378.0	84.0	—	52,500	10,800	5,400	4,000	2015	
	M-7	20.0	Att.	—	—	—	—	—	—	—	—	—	—	—	
100	SPDN 3256	80.0	Conv.	I	1.0 g B.P.	2.0	377.0	82.5	—	12,000	10,000	6,800	2,800	2004	
	M-7	20.0	Att.	—	—	—	—	—	—	—	—	—	—	—	
101	SPDN 3256	80.0	Conv.	G	1.0 g B.P.	2.0	401.0	82.0	—	—	—	3,500	5,300	1980	
	M-7	20.0	Conv.	—	—	—	—	—	—	—	—	—	—	—	
102	SPDN 3256	80.0	Conv.	G	1.0 g B.P.	2.0	400.0	82.0	—	—	—	—	—	1914	
	M-7	20.0	Conv.	—	—	—	—	—	—	—	—	—	—	—	
103	SPDN 3256	80.0	Conv.	G	1.0 g B.P.	2.0	402.0	84.0	—	—	—	—	—	—	
	M-7	20.0	Conv.	—	—	—	—	—	—	—	—	—	—	—	
104	SPDN 3256	80.0	Conv.	G	1.0 g B.P.	2.0	401.0	84.0	—	—	10,800	—	6,250	1975	
	M-7	20.0	Conv.	—	—	—	—	—	—	—	—	—	—	—	
105	SPDN 3256	80.0	Conv.	I	1.0 g B.P.	2.0	375.0	82.5	—	22,700	—	4,000	2,400	2020	
	M-7	20.0	Att.	—	—	—	—	—	—	—	—	—	—	—	
106	SPDN 3256	80.0	Conv.	I	1.0 g B.P.	2.0	378.0	80.0	—	23,800	—	3,800	3,800	2008	
	M-7	20.0	Att.	—	—	—	—	—	—	—	—	—	—	—	
107	SPDN 3256	80.0	Conv.	I	1.0 g B.P.	2.0	378.0	88.0	—	22,300	9,800	6,800	4,300	—	
	M-7	20.0	Att.	—	—	—	—	—	—	—	—	—	—	—	
108	SPDN 3256	80.0	Conv.	C	1.5 g B.P.	2.0	307.0	74.5	—	15,500	7,800	—	—	1940	
	M-7	20.0	Conv.	—	—	—	—	—	—	—	—	—	—	—	
109	SPDN 3256	80.0	Conv.	C	1.5 g B.P.	2.0	312.0	87.0	—	15,000	6,000	—	2,000	1827	
	M-7	20.0	Conv.	—	—	—	—	—	—	—	—	—	—	—	
110	SPDN 3256	80.0	Conv.	C	1.5 g B.P.	2.0	310.5	87.0	—	16,500	6,000	6,000	4,000	1888	
	M-7	20.0	Conv.	—	—	—	—	—	—	—	—	—	—	—	
111	SPDN 3256	80.0	Conv.	C	1.5 g B.P.	2.0	309.5	82.5	—	—	—	—	—	1884	
	M-7	20.0	Conv.	—	—	—	—	—	—	—	—	—	—	—	
112	SPDN 3256	80.0	Conv.	C	1.5 g B.P.	2.0	311.0	73.0	—	—	—	—	—	1884	
	M-7	20.0	Conv.	—	—	—	—	—	—	—	—	—	—	—	
113	SPDN 3256	80.0	Conv.	C	1.5 g B.P.	2.0	310.0	78.5	—	15,600	6,400	—	1,400	1823	
	M-7	20.0	Conv.	—	—	—	—	—	—	—	—	—	—	—	
114	SPDN 3256	80.0	Conv.	G	Mk 42	3.0	442.0	77.0	—	45,000	10,000	7,800	2,000	2176	
	M-7	20.0	Conv.	—	—	—	—	—	—	—	—	—	—	—	
115	JFH Strip	15.5	Att.	—	—	—	—	—	—	—	—	—	—	—	
	SPDN 3256	80.0	Conv.	G	Mk 42	3.0	442.0	82.0	—	—	—	3,400	3,800	2227	
	M-7	18.5	Att.	—	—	—	—	—	—	—	—	—	—	—	
116	JFH Strip	15.5	Att.	—	—	—	—	—	—	—	—	—	—	—	
	SPDN 3256	80.0	Conv.	G	Mk 42	3.0	442.0	41.0	—	46,200	9,800	4,000	1,800	2142	
	M-7	15.5	Att.	—	—	—	—	—	—	—	—	—	—	—	
117	JFH Strip	15.4	Conv.	G	Mk 42	3.0	440.0	44.0	—	42,000	10,000	2,200	—	2212	
	SPDN 3256	80.0	Conv.	G	Mk 42	3.0	441.5	51.0	—	38,200	9,800	2,000	1,500	2283	
	M-7	15.4	Conv.	—	—	—	—	—	—	—	—	—	—	—	
118	JFH Strip	15.4	Conv.	G	Mk 42	3.0	441.0	51.0	—	38,500	9,200	2,800	—	2210	
	SPDN 3256	80.0	Conv.	—	—	—	—	—	—	—	—	—	—	—	
119	JFH Strip	15.4	Conv.	G	1.0 g B.P.	2.0	402.0	86.0	—	—	—	—	—	1290	
	SPDN 3256	80.0	Conv.	—	—	—	—	—	—	—	—	—	—	—	
120	M-7	20.0	Conv.	C	1.0 g B.P.	2.0	306.5	87.0	—	—	—	—	—	1802	
	SPDN 3256	80.0	Conv.	G	1.0 g B.P.	2.0	402.0	87.0	—	26,500	12,750	6,800	5,250	2074	
121	SPDN 3256	80.0	Conv.	G	1.0 g B.P.	2.0	404.0	85.5	—	28,250	12,800	6,200	2,500	1989	
	M-7	20.4	Conv.	—	—	—	—	—	—	—	—	—	—	—	
122	SPDN 3256	80.0	Conv.	G	0.15 g B.P.	2.5	404.0	84.0	—	—	13,000	5,500	—	1886	
	M-7	20.4	Conv.	—	—	—	—	—	—	—	—	—	—	—	
123	SPDN 3256	80.0	Conv.	G	0.1 g B.P.	2.5	402.0	84.0	—	—	27,750	12,750	5,800	4,800	1908
	M-7	20.2	Conv.	—	—	—	—	—	—	—	—	—	—	—	
124	SPDN 3256	70.0	Conv.	G	0.1 g B.P.	2.4	428.0	81.0	—	—	8,800	5,800	5,800	1771	
	M-7	7.0	Conv.	—	—	—	—	—	—	—	—	—	—	—	
125	IX 107	9.8	Conv.	G	—	2.5	432.0	32.0	—	35,800	8,800	6,000	—	1973	
	SPDN 3256	70.0	Conv.	—	—	—	—	—	—	—	—	—	—	—	
126	IX 107	9.8	Conv.	G	—	2.5	432.0	32.0	40,000	29,000	10,800	7,200	4,800	1981	
	SPDN 3256	70.0	Conv.	—	—	—	—	—	—	—	—	—	—	—	
127	IX 107	10.3	Conv.	G	—	2.5	436.0	32.0	—	—	—	—	—	1827	
	SPDN 3256	70.0	Conv.	—	—	—	—	—	—	—	—	—	—	—	
128	IX 107	10.1	Conv.	G	—	2.5	422.5	40.0	—	30,800	10,200	6,700	5,200	—	
	SPDN 3256	70.0	Conv.	—	—	—	—	—	—	—	—	—	—	—	
129	IX 107	9.6	Conv.	G	—	2.5	422.0	38.0	39,400	28,400	9,000	6,800	4,400	—	
	SPDN 3256	70.0	Conv.	—	—	—	—	—	—	—	—	—	—	—	
130	IX 107	9.6	Conv.	G	—	2.5	—	39.0	—	—	—	—	—	220	
	SPDN 3256	70.0	Conv.	—	—	—	—	—	—	—	—	—	—	—	
131	IX 107	9.6	Conv.	G	—	2.5	—	—	—	—	—	—	—	—	
	SPDN 3256	70.0	Conv.	—	—	—	—	—	—	—	—	—	—	—	
132	JFH Strip	5.0	Att.	M	—	—	—	—	—	—	—	—	—	—	
	SPDN 3256	70.0	Conv.	G	—	2.5	4								

CONFIDENTIAL

APPENDIX A

30

Table II  
Loading Conditions and Ballistic Parameters for Firings Conducted in Gun B

Firing No.	Propellant	Weight (Gms)	Loading	Projectile Type	Igniter Charge	Booster Charge (Gms)	Projectile Weight (Gms)	Temperature (°F)	Chamber Pressure	Pos. 1 Pressure (psi)	Pos. 2 Pressure (psi)	Pos. 3 Pressure (psi)	Pos. 4 Pressure (psi)	Muzzle Velocity (ft/sec)
137	SPDN 3256	90.0	Conv	P	Small Fraction D	2.5	377.0	82.0		22,000	18,000	-	7,500	2200
138	SPDN 3256	90.0	Conv	P		2.5	387.0			19,000	14,500	-	-	2050
139	SPDN 3256	90.0	Conv	P		2.5	397.0			-	-	-	-	2150
140	SPDN 3256	90.0	Conv	P		2.5	398.0			27,500	23,500	-	4,700	2280
141	SPDN 3256	90.0	Conv	P		2.5	384.0			-	-	-	-	2110
142	SPDN 3256	90.0	Conv	P		2.5	384.0			20,500	23,500	-	12,000	2260
143	SPDN 3256	90.0	Conv	P		2.5	380.0			-	-	-	-	2050
144	SPDN 3256	90.0	Conv	P		2.5	387.0			27,000	18,000	5,000	-	2050
145	SPDN 3256	90.0	Conv	P		2.5	384.0			24,500	14,000	8,000	-	2150
146	SPDN 3256	90.0	Conv	P		2.5	384.0			-	-	5,700	-	2050
147	SPDN 3256	90.0	Conv	P		2.5	384.0			24,000	18,000	-	5,000	2150
148	SPDN 3256	90.0	Conv	P		2.5	387.0			27,000	20,000	-	6,500	2250
149	SPDN 3256	90.0	Conv	P		2.5	384.0			24,500	18,000	-	5,000	2150
150	SPDN 3256	90.0	Conv	P		2.5	382.5			18,000	13,000	-	4,000	1950
151	SPDN 3256	90.0	Conv	P		2.5	384.0			13,000	12,000	-	4,000	2010
152	SPDN 3256	90.0	Conv	P		2.5	382.0			14,500	12,000	-	4,000	2020
153	SPDN 3256	90.0	Conv	P		2.5	384.0			16,000	8,000	-	-	2050
154	SPDN 3256	90.0	Conv	P		2.5	384.0			14,000	9,750	-	-	2110
155	JPH Strip	90.0	Conv	P		2.5	384.0			20,000	15,500	-	4,000	2050
156	JPH Strip	90.0	Conv	P		2.5	384.0			24,000	9,500	7,500	-	2050
157	JPH Strip	90.0	Conv	P		2.5	387.0			-	-	-	-	2120
158	JPH Strip	90.0	Conv	P		2.5	384.0			20,000	-	-	-	2050
159	JPH Strip	90.0	Conv	P		2.5	387.0			27,000	17,500	-	-	2070
160	JPH Strip	90.0	Conv	P		2.5	380.0			22,000	-	-	-	2050
161	JPH Strip	90.0	Conv	P		2.5	377.0			20,000	11,000	-	4,000	2020
162	JPH Strip	90.0	Conv	P		2.5	387.0			22,700	13,000	-	4,500	2050
163	JPH Strip	90.0	Conv	P		2.5	384.0			20,000	11,000	-	4,500	2050
164	JPH Strip	90.0	Conv	P		2.5	384.0			18,000	7,000	4,000	-	1950
165	JPH Strip	90.1	Conv	P		2.5	381.0			13,000	7,000	4,000	2,000	1950
166	JPH Strip	90.0	Conv	P		1.5	384.5			-	-	-	-	1817
167	JPH Strip	90.0	Conv	P		1.5	380.7			11,500	-	-	-	1871
168	JPH Strip	90.0	Conv	P		1.5	384.5			-	-	-	-	1757
169	JPH Strip	90.0	Conv	P		1.5	384.7			11,500	-	-	-	1757
170	JPH Strip	90.0	Conv	P		1.5	384.7			24,000	14,700	-	4,000	1774
171	JPH Strip	90.0	Conv	P		1.5	384.9			20,000	10,000	3,000	-	1870
172	JPH Strip	90.0	Conv	P		1.5	380.3			24,000	14,500	3,000	-	1861
173	JPH Strip	90.0	Conv	P		1.5	382.5			22,000	12,700	7,000	-	1852
174	JPH Strip	90.0	Conv	P		1.5	382.3			20,000	15,000	4,700	-	1852
175	JPH Strip	90.0	Conv	P		1.5	382.3			24,000	6,000	-	-	2040
176	JPH Strip	90.0	Conv	P		1.5	382.3			20,000	20,000	-	-	-
177	JPH Strip	90.0	Conv	P		1.5	382.0			22,000	21,000	10,000	3,000	2050
178	JPH Strip	90.0	Conv	P		1.5	384.9			22,000	24,000	9,000	-	2050
179	JPH Strip	90.0	Conv	P		1.5	384.4			20,000	15,000	-	11,000	1850
180	JPH Strip	90.0	Conv	P		1.5	384.7			21,000	15,000	-	-	1850
181	JPH Strip	90.0	Conv	P		1.5	384.8			22,000	17,000	-	-	1857
182	JPH Strip	90.0	Conv	P		1.5	384.8			22,000	17,000	-	-	1857
183	JPH Strip	90.0	Conv	P		1.5	384.8			22,000	17,000	-	-	1857
184	JPH Strip	90.0	Conv	P		1.5	384.8			22,000	17,000	-	-	1857
185	JPH Strip	90.0	Conv	P		1.5	384.8			22,000	17,000	-	-	1857
186	JPH Strip	90.0	Conv	P		1.5	384.8			22,000	17,000	-	-	1857
187	JPH Strip	90.0	Conv	P		1.5	384.8			22,000	17,000	-	-	1857
188	JPH Strip	90.0	Conv	P		1.5	384.8			22,000	17,000	-	-	1857
189	JPH Strip	90.0	Conv	P		1.5	384.8			22,000	17,000	-	-	1857
190	JPH Strip	90.0	Conv	P		1.5	384.8			22,000	17,000	-	-	1857
191	JPH Strip	90.0	Conv	P		1.5	384.8			22,000	17,000	-	-	1857

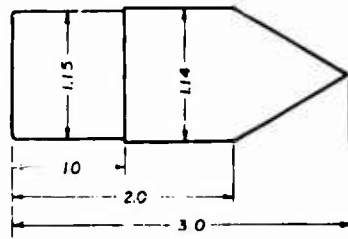
CONFIDENTIAL

APPENDIX B

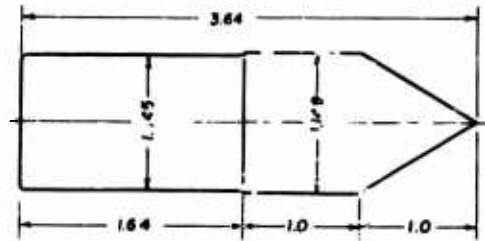
31

Additional Projectile Types

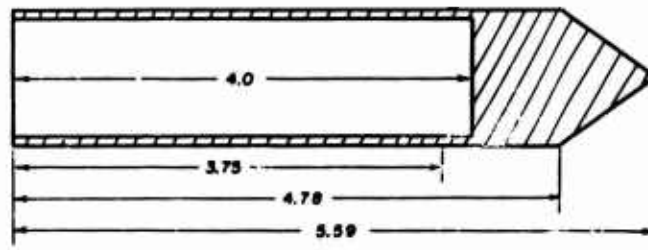
Projectile Type C



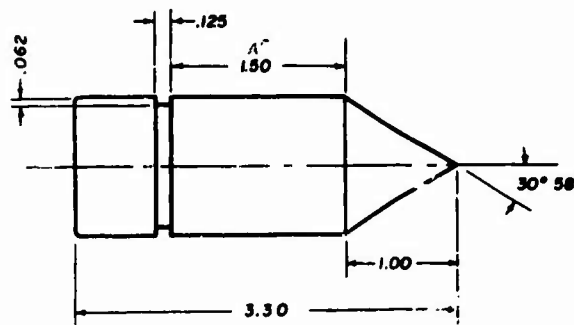
Projectile Type G



Projectile Type M



Projectile Type P



\*Projectile Type P Mod 1, Dimension A is 2.25

CONFIDENTIAL

**THIS PAGE INTENTIONALLY LEFT BLANK**

CONFIDENTIAL

BIBLIOGRAPHY

33

1. Atlantic Research Corporation, Quarterly Progress Report No. 11, Contract NOrd-10721, -12651.  
CONFIDENTIAL
2. Atlantic Research Corporation, Quarterly Progress Report No. 12, Contract NOrd-10721, -12651.  
CONFIDENTIAL
3. Atlantic Research Corporation, Quarterly Progress Report No. 13, Contract NOrd-10721, -12651.  
CONFIDENTIAL
4. Atlantic Research Corporation, Quarterly Progress Report No. 14, Contract NOrd-10721, -12651.  
CONFIDENTIAL
5. Atlantic Research Corporation, Quarterly Progress Report No. 15, Contract NOrd-10721, -12651.  
CONFIDENTIAL
6. Atlantic Research Corporation, Quarterly Progress Report No. 16, Contract NOrd-10721, -12651.  
CONFIDENTIAL
7. Atlantic Research Corporation, Quarterly Progress Report No. 17, Contract NOrd-10721, -12651.  
CONFIDENTIAL
8. Atlantic Research Corporation, Quarterly Progress Report No. 18, Contract NOrd-10721, -12651.  
CONFIDENTIAL
9. Atlantic Research Corporation, Quarterly Progress Report No. 19, Contract NOrd-10721, -12651.  
CONFIDENTIAL
10. Corner, J., "Theory of the Interior Ballistics of Guns," John Wiley and Sons, Inc., New York, 1950.  
UNCLASSIFIED
11. Hunt, F. R. W., et al, "Internal Ballistics," Ministry of Supply, London, 1951. UNCLASSIFIED
12. Kent, R. H., Physics, 7, 319, (1935). UNCLASSIFIED
13. Langweller, Dr. Ing., "Impulsantrieb," Berlin, 1930 (Translation: Dr. Ing. Langweller, "Proposal for Increasing the Performance of Weapons by the Correct Burning of Propellants") H. E. C. 1247. SECRET
14. Lee, L. and K. J. Laidler, "The Interior Ballistics of the Impulse Propulsion Gun," Catholic University of America/5/51. 2, August 1951. CONFIDENTIAL
15. Pidduck, F. B., Journal of Applied Physics, 8, 144 (1937). UNCLASSIFIED
16. Scurlock, A. C., M. L. Rice, and Barbara Wales, "Acceleration of Masses to High Velocities -- A Comparison of Methods," Atlantic Research Corporation, Contract NOrd-10721, August, 1951.  
CONFIDENTIAL
17. Scurlock, A. C., M. L. Rice, and Barbara Wales, "Achievement of High Projectile Velocities -- A Theoretical Comparison of Methods," Atlantic Research Corporation, Contract NOrd-10721, May 1953. CONFIDENTIAL
18. Vinti, J. P., "Theory of the Rapid Burning of Propellants," ERL Report 841, December, 1953.  
CONFIDENTIAL

CONFIDENTIAL

**THIS PAGE INTENTIONALLY LEFT BLANK**

CONFIDENTIAL

INITIAL DISTRIBUTION

Department of the Air Force (1) Hq. USAF, DCS/D Washington 25, D. C. Attn: AFDRD-AN, Maj. H. R. Schmidt	Department of the Navy (1) Bureau of Aeronautics Washington 25, D. C. Attn: SI-5	(1) Allegany Ballistics Laboratory (2) P. O. Box 210 Cumberland, Maryland
Commander (1) Wright Air Development Center Wright-Patterson Air Force Base Ohio Attn: WCLGH-2	Department of the Navy (2) Bureau of Ordnance Washington 25, D. C. Attn: AdS, Technical Library	Armour Research Foundation of Illinois Institute of Technology (1) Technology Center (1) Chicago 16, Illinois Attn: Propulsion and Structural Research, Department M
Commander (1) Wright Air Development Center Wright-Patterson Air Force Base Ohio Attn: WCLPN-3	Department of the Navy (1) Bureau of Ordnance Washington 25, D. C. Attn: Re3d	U. S. Department of Interior (1) Bureau of Mines 4800 Forbes Street Pittsburgh 13, Pennsylvania Attn: Exp. of Explosives Technology Region V
Commander (1) Air Research and Development Command P. O. Box 1395 Baltimore 3, Maryland Attn: RDTDPP, Lt. Col. L. F. Avers	Commander (2) U. S. Naval Air Missile Test Center Point Mugu, California Attn: Technical Library	Catholic University of America (1) 7th St. and Michigan Ave., N. E. Washington 17, D. C. Attn: F. C. Juse
Commanding General (2) Aberdeen Proving Ground Maryland Attn: Ballistic Research Lab. ORDBG-BLI	Commanding Officer (1) U. S. Naval Air Rocket Test Station Lake Denmark Dover, New Jersey Attn: Technical Library	E. I. du Pont de Nemours and Co. (1) 10th and Market Streets Wilmington, Delaware Attn: W. F. Jackson
Commanding General (1) Frankford Arsenal Bridge and Tacony Streets Philadelphia, Pennsylvania Attn: Pitman-Dunn Laboratory	Commanding Officer (2) U. S. Naval Powder Factory Indian Head, Maryland Attn: Research and Development Department	Experiment, Incorporated (1) P. O. Box 1-T Richmond 3, Virginia Attn: Librarian
Department of the Army (1) Office, Chief of Ordnance Washington 25, D. C. Attn: ORDTU	Commander (1) U. S. Naval Proving Ground Dahlgren, Virginia Attn: OMI	The Franklin Institute (1) 20th and Parkway Philadelphia 3, Pennsylvania Attn: Chemical Kinetics and Spectro- scopy Section, W. E. Scott
Commanding Officer (1) Office of Ordnance Research Box CM Duke Station Durham, North Carolina	Commander (1) U. S. Naval Ordnance Laboratory White Oak Silver Spring, Maryland Attn: Library	Hercules Experiment Station (1) Wooddale, Delaware Attn: A. M. Ball
Commanding Officer (2) Picatinny Arsenal Dover, New Jersey Attn: Library	Commander (3) U. S. Naval Ordnance Test Station Inyokern, China Lake, California Attn: Technical Library Branch	Hughes Aircraft Company (1) Florence Avenue at Teale Street Culver City, California Attn: M. C. Beebe
Commanding General (2) Redstone Arsenal Huntsville, Alabama Attn: Technical Library	Department of the Navy (1) Office of Naval Research Washington 25, D. C. Attn: Code 439	Director (2) Jet Propulsion Laboratory 4800 Oak Grove Drive Pasadena 3, California
Commanding General (1) White Sands Proving Ground Las Cruces, New Mexico Attn: Technical Librarian	Commanding Officer (1) Office of Naval Research Branch Office 86 E. Randolph Street Chicago 1, Illinois	Arthur D. Little, Inc. (1) 30 Memorial Drive Cambridge 43, Massachusetts Attn: W. A. Sawyer
Commanding General (1) Ordnance Ammunition Command Joliet, Illinois Attn: ORDLY-R-T	Commanding Officer (1) Office of Naval Research 1030 E. Green street Pasadena 1, California	Arthur D. Little, Inc. (1) 30 Memorial Drive Cambridge 43, Massachusetts Attn: G. R. Handrick
	Aerojet-General Corporation (1) P. O. Box 296 Azusa, California Attn: Librarian	Midwest Research Institute (1) 425 Volker Boulevard Kansas City 10, Missouri Attn: Librarian

CONFIDENTIAL

CONFIDENTIAL

INITIAL DISTRIBUTION (cont'd)

University of Michigan Engineering Research Institute Ann Arbor, Michigan Attn: J. C. Brier	(1)	Standard Oil Company Research Department P. O. Box 431 Whiting, Indiana Attn: W. H. Bahlke	(1)	Southwest Research Institute (1) Department of Chemistry and Chemical Engineering 6500 Culebra Road San Antonio 5, Texas Attn: J. H. Wiegand
Naval Ordnance Research School of Chemistry University of Minnesota Minneapolis 14, Minnesota Attn: B. L. Crawford, Jr.	(1)	Thiokol Chemical Corporation (2) Redstone Arsenal Huntsville, Alabama Attn: Technical Director		North American Aviation, Inc. (1) 12214 Lakewood Boulevard Downey, California Attn: T. E. Dixon
Ohio State University Research Foundation Columbus 10, Ohio Attn: M. L. Wolfrem Via: Cleveland Ordnance District	(1)	Thiokol Chemical Corporation (1) 780 N. Clinton Avenue Trenton 7, New Jersey Attn: H. R. Ferguson		Lockheed Aircraft Corporation (1) Box 1 Ft. Worth, New York Attn: D. F. Zeman
Phillips Petroleum Company (1) Room 441, Adams Building Bartlesville, Oklahoma Attn: F. E. Varvel for L. E. Taylor, Security Rep.		Thiokol Chemical Corporation (1) Elkton Division Elkton, Maryland Attn: D. W. Kerahner		Olin Mathieson Chemical Corp. (2) New Haven, Connecticut Attn: R. B. Murphy
Project Squid Princeton University Princeton, New Jersey Attn: Librarian	(1)	U. S. Rubber Company General Laboratories Market and South Streets Passaic, New Jersey Attn: P. O. Tawney	(1)	Grand Central Rocket Company (1) P. O. Box 111 Redlands, California
Purdue University Department of Chemistry Lafayette, Indiana Attn: H. Feuer	(1)	Olin Mathieson Chemical Corp. (1) East Alton, Illinois Attn: R. A. Cooley		Lockheed Aircraft Corporation (1) Missile Systems Division Van Nuys, California Attn: E. Robertson
Rohm and Haas Company (1) 6000 Richmond Street Philadelphia 37, Pennsylvania Attn: J. F. Kincaid		Reaction Motors, Inc. (1) Rockaway, New Jersey Attention: Librarian		British Joint Services Mission (4) Technical Services 1800 K Street, N. W. Washington, D. C. Attn: Reports Officer
Rohm and Haas Company (1) Redstone Arsenal Research Div. Huntsville, Alabama Attn: Librarian		Phillips Petroleum Company (2) P. O. Box 548 McGregor, Texas Attn: E. Z. Lang		Via: Department of the Navy Bureau of Ordnance Washington 25, D. C. Attn: AOS
Solid Propellant Information Agency Applied Physics Laboratory (8) The Johns Hopkins University Silver Spring, Maryland Attn: P. K. Rolly, Jr.		B. F. Goodrich Company Research Center Brecksville, Ohio Attn: Vice President/Research	(1)	Defense Research Member (4) Canadian Joint Staff (W) 2450 Massachusetts Ave., N. W. Washington 8, D. C. Via: Department of the Navy Bureau of Ordnance Washington 25, D. C. Attn: AOS
		American Machine & Foundry Co. Mechanics Research Department 1104 S. Wabash Avenue Chicago 5, Illinois Attn: A. D. Kafadar	(1)	

CONFIDENTIAL

**UNCLASSIFIED**

**UNCLASSIFIED**