

**UNCLASSIFIED**

**AD 410195**

**DEFENSE DOCUMENTATION CENTER**

**FOR**

**SCIENTIFIC AND TECHNICAL INFORMATION**

**CAMERON STATION, ALEXANDRIA, VIRGINIA**



**UNCLASSIFIED**

NOTICE: When government or other drawings, specifications or other data are used for any purpose other than in connection with a definitely related government procurement operation, the U. S. Government thereby incurs no responsibility, nor any obligation whatsoever; and the fact that the Government may have formulated, furnished, or in any way supplied the said drawings, specifications, or other data is not to be regarded by implication or otherwise as in any manner licensing the holder or any other person or corporation, or conveying any rights or permission to manufacture, use or sell any patented invention that may in any way be related thereto.

CATALOGED BY DDC 410195  
AS AD No. 410195

# TECHNICAL MEMORANDUM

(TM Series)

### DDC AVAILABILITY NOTICE

Qualified requesters may obtain copies of this report from DDC.

This document was produced by SDC in performance of contract AF 19(628)-1648, Space Systems Division Program, for Space Systems Division, AFSC.

Utility System Program Specifications  
Write End of Tape (EOT)

By

W. E. Taber

13 May 1963

Approved

J. A. Kneemeyer

RECEIVED  
TJSA 2

SYSTEM  
DEVELOPMENT  
CORPORATION  
2500 COLORADO AVE.  
SANTA MONICA  
CALIFORNIA

The views, conclusions or recommendations expressed in this document do not necessarily reflect the official views or policies of agencies of the United States Government.

Permission to quote from this document or to reproduce it, wholly or in part, should be obtained in advance from the System Development Corporation.

Although this document contains no classified information it has not been cleared for open publication by the Department of Defense. Open publication, wholly or in part, is prohibited without the prior approval of the System Development Corporation.



This document is one of a series of TM-891 volumes established for Utility System program specifications.

Comments on this document must be received by 1 June 1963 to be reflected in the final design criteria. It is anticipated that this feature will be available in the AF/CPL on 21 June 1963. The publication of a volume in the TM-705 (Systems Manual) series will officially announce the completion of this project.

Write End of Tape (EOT)

**IDENTIFICATION**

- A. Title: Write End of Tape (EOT)
- B. Author: W. E. Taber, System Development Corporation

**PURPOSE**

This routine will write an end-of-file mark, four records each consisting of "END-OF-TAPE", and a double end-of-file mark on any tape and rewind the tape with or without interlock

**USAGE**

A. Calling Sequence

L	NOF	O	
	FTJ	EOT	
L+1	Normal	Return	
	ZRO	N	
L+2	ZRO	O	} or BCD 1 NIT <sub>1</sub>
	ZRO	T <sub>1</sub>	
L+3	ZRO	O	} or BCD 1 NIT <sub>2</sub>
	ZRO	T <sub>2</sub>	
	.	.	
	.	.	
	.	.	

$$\begin{array}{l}
 L+i+1 \quad \text{ZRO} \quad 0 \\
 \quad \quad \quad \text{ZRO} \quad T_1
 \end{array}
 \left. \vphantom{\begin{array}{l} L+i+1 \\ \text{ZRO} \end{array}} \right\} \text{ or BCD } 1 \text{ NIT}_i$$

where: N = number of parameters

$T_1 \dots T_i$  = logical tape unit to be rewound with interlock

$\text{NIT}_1 \dots \text{NIT}_i$  = logical tape unit to be rewound without interlock.

#### B. Function Card

\* EOT  $T_1$  or  $\text{NIT}_1 \dots T_i$  or  $\text{NIT}_i$

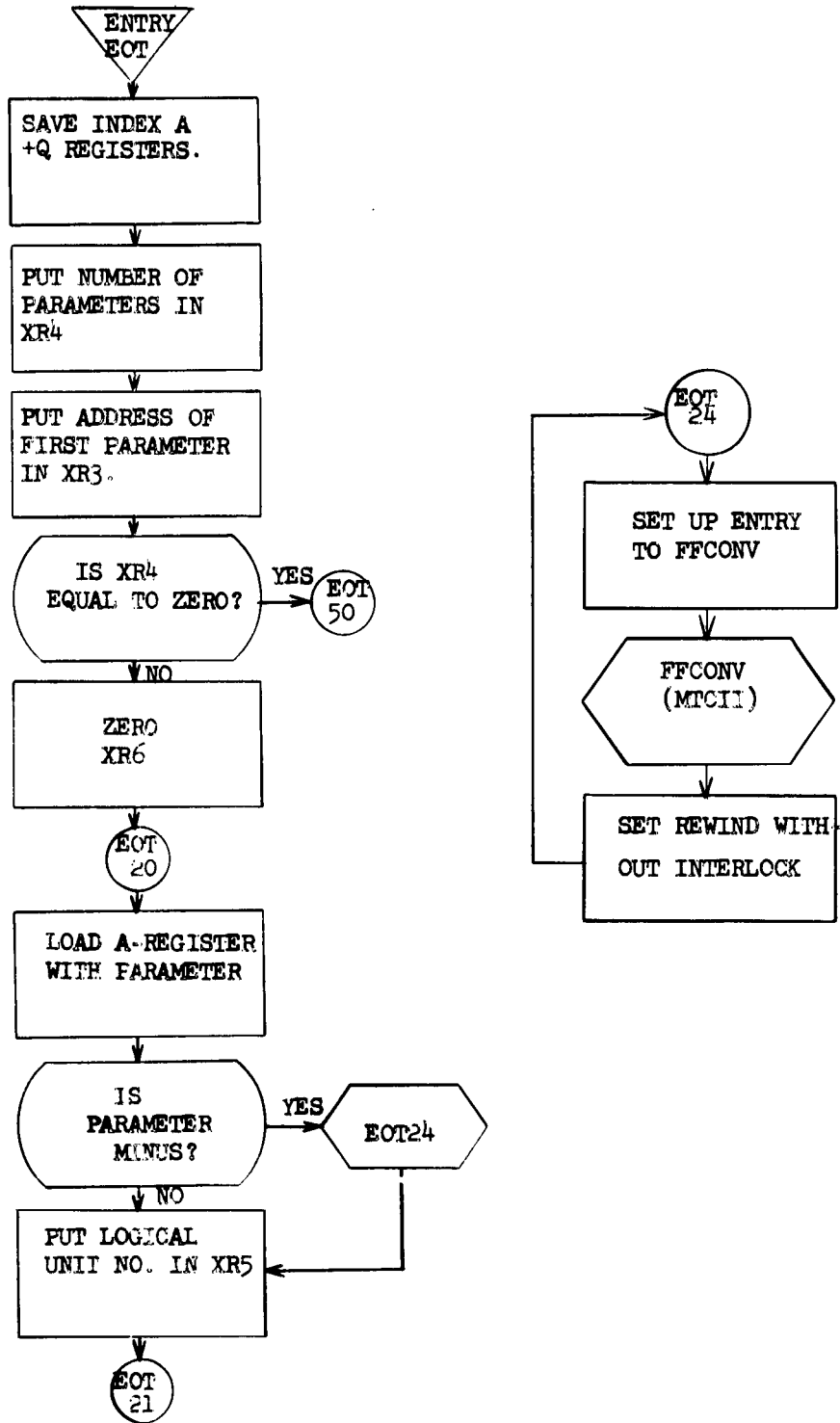
where the parameters are defined as above.

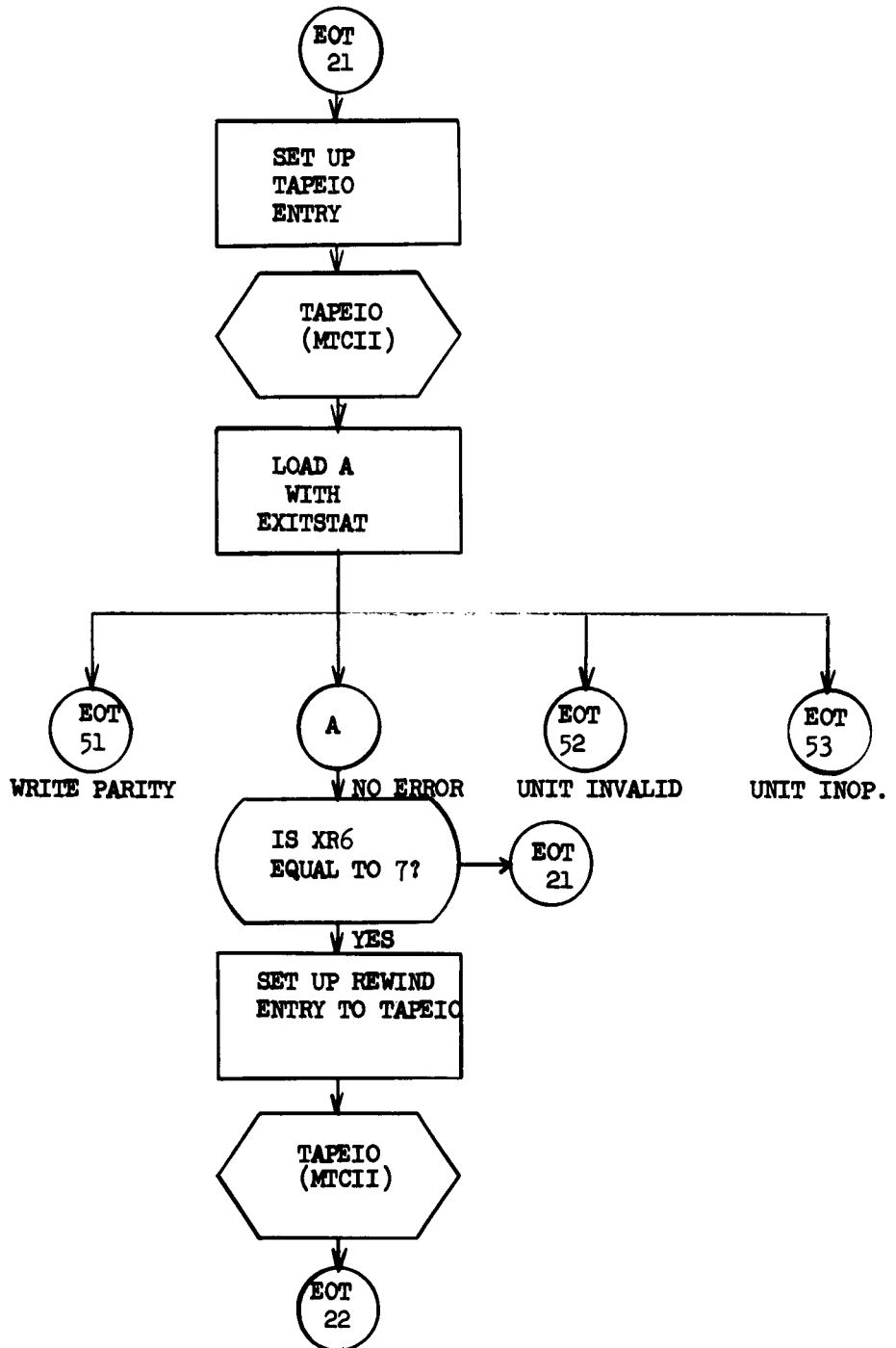
#### C. Error Messages

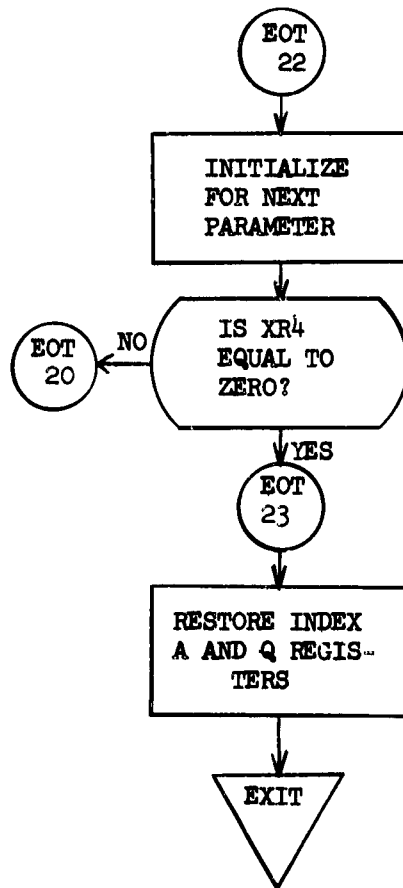
1. Write parity error.
2. Unit requested is inoperative.
3. Unit requested is invalid.
4. No parameters.

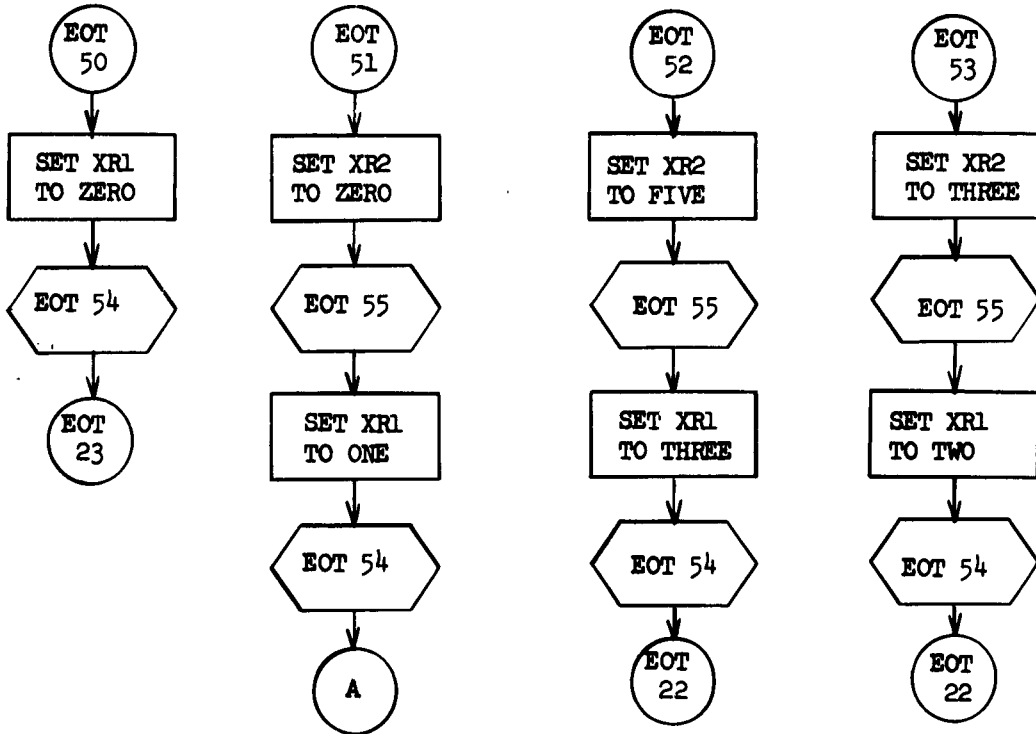
#### RESTRICTIONS

- A. The routines TAPEIO, TYPEIO, and FFCONV in MTCII will be used.
- B. The words IOSTATUS and EXIT STAT in MTCII will be used.





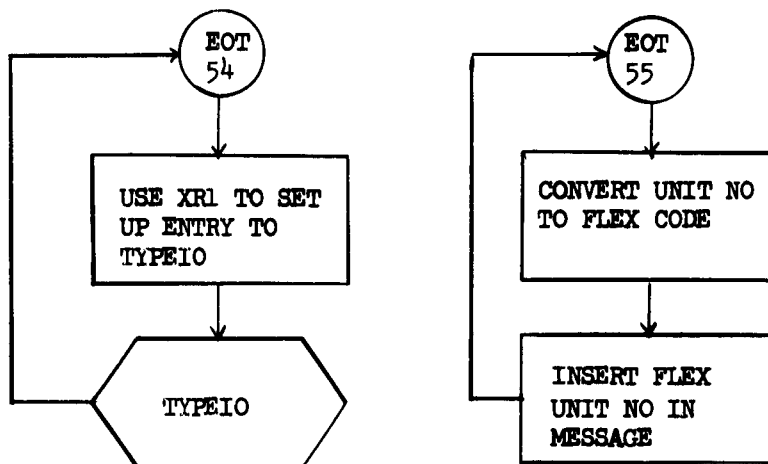




13 May 1963

-7-  
(last page)

TM-891/009/00



13 May 1963

TM-891/009/00

DISTRIBUTION LIST

External

Space Systems Division Program  
(Contracting Agency)  
Major C. R. Bond (SSOCD)

6594th Aerospace Test Wing  
(Contracting Agency)  
Col. A. W. Dill (TWRD)  
Lt. Col. M. C. McDowell (TWRU) (4)  
TWACS (28)

PIR-E1 (Lockheed)  
N. N. Epstein  
C. H. Finnie  
H. F. Grover  
H. R. Miller  
W. E. Moorman (5)  
461 Program Office  
698BK Program Office

PIR-E2 (Philco)  
J. A. Bean  
J. A. Isaacs  
R. Morrison  
S. M. Stanley

PIR-E3 (LFE)  
D. F. Criley  
K. B. Williams (5)

PIR-E8 (Mellonics)  
F. Druding

PIR-E5 (Aerospace)  
F. M. Adair  
R. V. Bigelow  
R. D. Brandsberg  
L. H. Garcia  
G. J. Hansen  
C. S. Hoff  
L. J. Kreisberg  
T. R. Parkin  
E. E. Retzlaff  
H. M. Reynolds  
D. Saadeh  
V. White

PIR-E7 (STL)  
A. J. Carlson  
R. L. Mills

PIR-E4 (GE-Sunnyvale)  
D. Alexander (2)

PIR-E4 (GE-Box 8555)  
J. S. Brainard  
H. G. Klose  
J. D. Selby

PIR-E4 (GE-3198 Chestnut)  
J. F. Butler  
H. D. Gilman

PIR-E4 (GE-Bethesda)  
W. L. Massey

PIR-E4 (GE-Box 8661)  
J. D. Rogers

13 May 1963

TM-891/009/00

THORNTON, R. L.	14050	WILSON, G. D.	24124
TOTSCHKE, R. A.	24120	WINSOR, M. E.	22084
VORHAUS, A. H.	24076A	WINTER, J. E.	24117
WAGNER, I. T.	24093	WISE, R. C.	22158
WARSHAWSKY, S. B.	24097	WONG, J. P.	SUNNYVALE
WEST, G. D.	SUNNYVALE	ZACHTE, S. A.	24086
WEST, G. P.	22116A	ZUBRIS, C. J.	24075

13 May 1963

TM-891/009/00

DISTRIBUTION LIST

INTERNAL

AFCPL	(5)	KEY, C. D.	22083
ALLFREE, D.	24083	KEYES, R. A.	24073
ALPERIN, N. I.	22088B	KINKEAD, R. L.	22155
ARMSTRONG, E.	24123	KNEEMEYER, J. A.	22153A
BERNARDS, R. M.	SUNNYVALE	KNIGHT, R. D.	22119
BIGGAR, D.	24118A	KOLBO, L. A.	22079
BILEK, R. W.	22101	KOSTINER, M.	14056B
BLACK, H.	14039	KRALIAN, R. P.	14039
BRENTON, L. R.	24103B	KRISTENSEN, K.	SUNNYVALE
BURKE, B. E.	24086	LACHAPELLE, F. J.	22156
BURKE, R. F.	22082	LAUGHLIN, J. L.	24073
BUSCH, R. E.	22153B	LAVINE, J.	24091
CHAMPAIGN, M. E.	22091A	LEWIS, H. L.	22095
CHIODINI, C. M.	24082B	LITTLE, J. L.	24090A
CIACCIA, B. G.	24090B	LONG, F.	22078
CLINE, B. J.	24127	MADRID, G. A.	23014
COGLEY, J. L.	22122	MAHON, G. A.	24089
CONGER, L.	24082	MARIONI, J. D.	24076B
COOLEY, P. R.	24081	MARSHALL, R. D.	22099
COURT, T. D.	24086B	MARTIN, W. P.	24127B
DANT, G. B.	24086B	MCKEOWN, J. C.	22083
DECUIR, L. E.	24053A	MICHAELSON, S. A.	14039
DERANGO, W. C.	24094A	MILANESE, J. J.	22078
DEXTER, G. W.	25026	MUNSON, J. B.	22096A
DISSE, R. J.	22082	MYERS, G. L.	14056A
DOBRUSKY, W. B.	22150	NELSON, P. A.	24075
ELLIS, R. C.	22131A	NG, J.	22148
EMIGH, G. A.	14039	NGOU, L.	24127
ERICKSEN, S. R.	22113	PADGETT, L. A.	24110A
FELKINS, J.	24097	PATIN, O. E.	SUNNYVALE
FOSTER, G. A.	14039	PERRY, G. H.	24034
FRANKS, M. A.	24122	POLK, T. W.	24113
FREY, C. R.	23110	PRUETT, B. R.	22157
FRIEDEN, H. J.	23013	REILLY, D. F.	24121
GARDNER, S. A.	22160	REMSTAD, C. L.	25030
GREENWALD, I. D.	22116B	RUSSELL, R. S.	14054
GRIFFITH, E. L.	22157	SCHOLZ, J. W.	14039
HAAKE, J. W.	22088A	SCOTT, R. J.	24110
HARRIS, E. D.	24081	SEACAT, C. M.	SUNNYVALE
HENLEY, D. E.	22094B	SEIDEN, H. R.	22126B
HILL, C. L.	22161	SHAPIRO, R. S.	24110B
HILLHOUSE, J.	23110	SKELTON, R. H.	22087
HOLMES, M. A.	24103	SOLOMON, J. D.	23007
HOLZMAN, H. J.	24065B	SPEER, N. J.	24085
HOUGHTON, W. H.	24103B	STONE, E. S.	24058B
HOYT, R. L.	14039	SWEENEY, M. J.	25030
IMEL, L. E.	14050	TABER, W. E.	22155
KASTAMA, P. T.	23007	TENNANT, T. C.	27029
KAYSER, F. M.	24109	TESTERMAN, W. D.	14039
KEDDY, J. R.	24105	THOMPSON, J. W.	24082A

UNCLASSIFIED

System Development Corporation,  
Santa Monica, California  
UTILITY SYSTEM PROGRAM SPECIFICATIONS  
WRITE END OF TAPE (EOT).  
Scientific rept., TM-891/009/00,  
by W. E. Taber. 13 May 1963, 7p.  
(Contract AF 19(628)-1648, Space Systems  
Division Program, for Space Systems  
Division, AFSC)

Unclassified report

DESCRIPTORS: Programming (Computers).  
Satellite Networks.

UNCLASSIFIED

---

Reports that EOT (Write end of tape)  
will write an end-of-file mark,  
four records each consisting of  
"END-OF-TAPE", and a double end-of  
file mark on any tape and rewind  
the tape with or without interlock.

UNCLASSIFIED

UNCLASSIFIED