

UNCLASSIFIED

AD NUMBER

AD502416

CLASSIFICATION CHANGES

TO: UNCLASSIFIED

FROM: CONFIDENTIAL

LIMITATION CHANGES

TO:
Approved for public release; distribution is unlimited.

FROM:
Distribution authorized to U.S. Gov't. agencies and their contractors;
Administrative/Operational Use; 05 FEB 1969.
Other requests shall be referred to Office of the Adjutant General (Army), Washington, DC 20310.

AUTHORITY

AGO D/A ltr 29 Apr 1980 ; AGO D/A ltr 29 Apr 1980

THIS PAGE IS UNCLASSIFIED

SECURITY

MARKING

The classified or limited status of this report applies to each page, unless otherwise marked.

Separate page printouts MUST be marked accordingly.

THIS DOCUMENT CONTAINS INFORMATION AFFECTING THE NATIONAL DEFENSE OF THE UNITED STATES WITHIN THE MEANING OF THE ESPIONAGE LAWS, TITLE 18, U.S.C., SECTIONS 793 AND 794. THE TRANSMISSION OR THE REVELATION OF ITS CONTENTS IN ANY MANNER TO AN UNAUTHORIZED PERSON IS PROHIBITED BY LAW.

NOTICE: When government or other drawings, specifications or other data are used for any purpose other than in connection with a definitely related government procurement operation, the U.S. Government thereby incurs no responsibility, nor any obligation whatsoever; and the fact that the Government may have formulated, furnished, or in any way supplied the said drawings, specifications, or other data is not to be regarded by implication or otherwise as in any manner licensing the holder or any other person or corporation, or conveying any rights or permission to manufacture, use or sell any patented invention that may in any way be related thereto.



CONFIDENTIAL

**DEPARTMENT OF THE ARMY
OFFICE OF THE ADJUTANT GENERAL
WASHINGTON, D.C. 20310**

IN REPLY REFER TO

AGAM-P (M) (26 May 69) FOR OT UT 691089

3 June 1969

SUBJECT: Operational Report - Lessons Learned, Headquarters, 8th Battalion,
4th Artillery, Period Ending 31 January 1969 (U)

"THIS DOCUMENT CONTAINS INFORMATION AFFECTING THE NATIONAL
DEFENSE OF THE UNITED STATES WITHIN THE MEANING OF THE
ESPIONAGE LAWS, TITLE 18, U. S. C., SECTION 793 AND 794.
ITS TRANSMISSION OR THE REVELATION OF ITS CONTENTS IN
ANY MANNER TO AN UNAUTHORIZED PERSON IS PROHIBITED BY LAW."

SEE DISTRIBUTION

1. Subject report is forwarded for review and evaluation in accordance with paragraph 5b, AR 525-15. Evaluations and corrective actions should be reported to ACSFOR OT UT, Operational Reports Branch, within 90 days of receipt of covering letter.
2. Information contained in this report is provided to insure appropriate benefits in the future from lessons learned during current operations and may be adapted for use in developing training material.

BY ORDER OF THE SECRETARY OF THE ARMY:

**C. A. STANFIELD
Colonel, AGC
Acting The Adjutant General**

1 Incl
as

DISTRIBUTION:

- Commanding Generals
 - US Continental Army Command
 - US Army Combat Developments Command
- Commandants
 - US Army War College
 - US Army Command and General Staff College
 - US Army Field Artillery School

D D K
RECEIVED
JUN 30 1969
A

- Copies furnished:
- Office, Chief of Staff, US Army
 - Deputy Chiefs of Staff
 - Chief of Research and Development
 - Assistant Chiefs of Staff
 - Chief of Engineers
 - OSD(SA) Assistant for Southeast Asia Forces
 - Defense Documentation Center
 - Security Officer, Hudson Institute

**Regraded unclassified when separated
from classified inclosure.**

CONFIDENTIAL

AD 502416

DISTRIBUTION (Cont'd)

Commanding Officers

US Army Limited War Laboratory

US Army Logistics, Doctrine Systems & Readiness Agency

8th Bn, 4th Artillery

CONFIDENTIAL

DEPARTMENT OF THE ARMY
HEADQUARTERS, 8TH BATTALION (175MM/8 INCH)(SP), 4TH ARTILLERY
APO San Francisco 96269

5 February 1969

SUBJECT: Operational Report of 8th Battalion (175MM/8 Inch) (SP) 4th Artillery
for Period Ending 31 January 1969, (RCS CSFOR-65)(R-1)(U)

See Distribution

1. Section 1, Operations: Significant Activities.

a. (U) General

(1) The 8th Battalion, 4th Artillery arrived in the Republic of Vietnam on 12 August 1967. The battalion has been continuously engaged in combat operations since 15 August 1967.

(2) This is the sixth Operational Report submitted by this organization.

(3) Organization Chart (See inclosure 1).

b. (C) Historical Data

(1) Deployment and status of the 8th Battalion, 4th Artillery and its subordinate elements at the beginning of the reporting period (1 November 68) were as follows:

<u>UNIT</u>	<u>LOCATION</u>	<u>MISSION AND STATUS</u>
8/4 Arty (-)		GS XXIV CORPS REIN 12TH MARINE REGT
HHB/8/4 Arty	YD223587 (Dong Ha)	
SVC/8/4 Arty	YD223587 (Dong Ha)	
A/8/4 Arty	YD210674 (Fire Support Base C-1)	
C/8/4 Arty	YD231589 (Dong Ha)	
B/8/4 Arty		GS 1ST MARINE DIVISION OPCON 11TH MARINE REGT
1st Plt/B/8/4	AT985719 (Da Nang Hill 34)	
2nd Plt/B/8/4	4T876574 (Da Nang Hill 65)	

(2) On 1 November 1968 Battery A was completely non-operational for 23 minutes from 0702 to 0725 due to deadline of guns.

(3) On 1 November 68 at 1145 hours received official notification that all fires into the DMZ would cease at 2100 hours.

FOR C7 LT
691059

CONFIDENTIAL

DOWNGRADED AT 3 YEAR INTERVALS;
DECLASSIFIED AFTER 12 YEARS.
DOD DIR 5200.10

CONFIDENTIAL

SUBJECT: Operational Report of 8th Battalion (175MM/8 Inch)(SP) 4th Artillery for Period Ending 31 January 1969, (RCS CSFOR-65)(R-1) (U)

(4) On 1 November the Dong Ha Combat Base area received incoming enemy artillery on 4 separate occasions: 0855 hours, 1132 hours, 1306 hours and 2107 hours. No damage or casualties in the battalion.

(5) On 2 and 3 November no rounds were fired by either Battery A or C except for registration.

(6) On 9 November at 1800 hours Battery A at Fire Support Base C-1 (YD210674) received approximately 25 rounds of enemy 82mm mortar rounds resulting in 4 minor WIA and light damage to six vehicles. Combat operations were not affected.

(7) On 9 November at 1800 hours Battery B received one sniper round (small arms) at Da Nang Hill 34 (AT985719). One minor WIA resulted to a perimeter guard. No other action occurred.

(8) On 16 November Battery C was converted from 175mm guns to 8-inch howitzers. The first gun was ready for action and fired on this date. All guns were retubed and operational by 18 November.

(9) On 19 November Battery B moved the two guns of the 2nd Plt back to Da Nang (AT985719). No change in mission.

(10) On 24 November Battery C displaced to Fire Support Base C-2 (YD1164) to support 3d Marine Division recon elements in the southern portion of the DMZ. Incoming enemy mortar fire was received within 3 hours after the battery closed the new area. There were no casualties.

(11) On 9 December Battery A displaced from Fire Support Base C-1 (YD210674) to Dong Ha Combat Base (YD231589) and occupied temporary firing positions.

(12) On 10 December Battery A displaced from Dong Ha Combat Base to Fire Support Base Elliott (Rockpile-XD9854) to support operations of the 3d Marine Division.

(13) On 10 December Battery B displaced 2 guns from Da Nang (Hill 34-AT985719) to An Hoa (AT8647) to support, Operation Taylor Common by, the 1st Marine Division.

(14) On 10 December Battery A incurred one fatality from a vehicle accident at Fire Support Base Elliott (Rockpile-XD9854).

(15) On 20 December at 1415 hours at Fire Support Base C-2 (YD1164) the Battalion Commander, LTC Harry W. Brown, fired the 50,000th round fired by Battery C since arrival in country. Surveillance indicated an enemy bunker destroyed.

(16) On 19 January 69 Major Curtis F. Hoglan assumed command of the battalion from LTC Harry W. Brown.

(17) Between 19 and 27 January the battalion minus Battery B received a CMMI inspection from the XXIV Corps CMMI inspection team.

CONFIDENTIAL

CONFIDENTIAL

SUBJECT: Operational Report of 8th Battalion (175MM/8 Inch)(SP) 4th Artillery for Period Ending 31 January 1969, (RCS CSFOR-65)(R-1)(U)

(18) On 28 January LTC Frank M. Kulik Jr. assumed command of the battalion from Major Curtis F. Hoglein.

(19) Missions and rounds fired during the reporting period.

<u>BATTERY</u>	<u>NOVEMBER</u>	<u>DECEMBER</u>	<u>JANUARY 69</u>
A/8/4	159 msn 823 rd	194 msn 1522 rd	210 msn 2247 rd
B/8/4	388 msn 1313 rd	430 msn 1638 rd	391 msn 1429 rd
C/8/4	<u>142 msn 1298 rd</u>	<u>146 msn 2378 rd</u>	<u>222 msn 2145 rd</u>
Total	689 msn 3434 rd	770 msn 5538 rd	823 msn 5821 rd

(20) The cumulative total rounds fired by this battalion since arrival in country through 312400H January is 149,355.

c. (U) Training: The battalion conducted a total of 132 hours of scheduled training for all personnel. In addition, special training programs were conducted for FDC personnel and for cross training within sections.

d. (C) Observations: The two battalion air observers during the reporting period flew in support of the 12th Marine Regiment and 108th Artillery Group. Air observers control fires of artillery and naval gunfire. The battalion provides one ground forward observer and radio telephone operator to the Mai Loc Special Forces area of operation on a semi-permanent basis.

e. (U) Logistics: Average daily deadline rates for the reporting period.

<u>ITEM</u>	<u>PER CENT</u>
SP Arty 175MM and 8-Inch	34.2%
Other Tracked Vehicles	32.2%
Wheeled Vehicles	10.9%
FADAC Generators	18.6%

f. (U) Civic Action: The battalion was active in a number of projects during the reporting period.

(1) Quang Tri National Prison: Assisting in the rehabilitation of approximately 350 former Viet Cong. Scrap materials are donated to be used in making furniture, kerosene stoves, and household articles.

(2) Two (2) MEDCAPS at Gio Ha and Dong Luong: Initiated during September and August 1968 respectively and treated a total of 2256 patients of which 1287 were during this reporting period.

(3) The Bao Loc School project in Ha Thanh Village was suspended on 9 Dec 68 when Battery A displaced from Fire Support Base C-1 (YD210674).

CONFIDENTIAL

CONFIDENTIAL

SUBJECT: Operational Report of 8th Battalion (175MM/8 Inch)(SP) 4th Artillery
for Period Ending 31 January 1969, (RCS CSFOR-65)(R-1)(U)

a. (C) Personnel and Administration:

(1) Strength at end of period (31 Jan 69):

	<u>AUTH</u>	<u>ASG</u>
OFF	37	35
JO	6	6
ENL	522	511
TOTAL	565	552

(2) Significant Shortages:

<u>MOS</u>	<u>TITLE</u>	<u>AUTH</u>	<u>ASG (31 Jan 69)</u>
13Z50 E-8	Intell Sgt	1	0
13Z50 E-8	Opn Sgt	1	0
13B40 E-6	Chief of Section	16	7
13E40 E-6	FDC CMPT	3	1
13E40 E-5	Recon Sgt	6	1
71T20 E-4	TAERS Clk	5	2
76S20 E-4	PLL Clk	5	1

(3) Casualties: Four minor WIA in Battery A from enemy mortar and one minor WIA in Battery B from a sniper round. One killed not as a result of hostile action in Battery A.

2. Section 2 Lessons Learned: Commander's Observations, Evaluations, and Recommendations.

a. (U) Personnel: None

b. (C) Operations

(1) Splitting the firing elements of heavy artillery batteries.

(a) OBSERVATION: It is not desirable to split the firing elements of a battery.

(b) EVALUATION: Battery B has been required to operate from two separate firing positions for almost the entire period of this report. Initially the positions were close enough to allow a single fire direction center to control all the fires, however a later move separated the firing platoons to such an extent as to require operation of two complete fire direction centers. In addition the requirements for increased communications, maintenance and transportation of ammunition severely overloaded the battery.

(c) RECOMMENDATION: It is recommended that when an over riding requirement exists for operating a battery from separate positions the supported or re-inforced unit be taxed for support in the form of additional personnel, communications equipment, and transportation.

CONFIDENTIAL

CONFIDENTIAL

SUBJECT: Operational Report of 8th Battalion (175MM/8 Inch)(SP) 4th Artillery
for Period Ending 31 January 1969, (RCS CSFOR-65)(R-1)(U)

(2) Fabrication of temporary gun pads for heavy artillery.

(a) OBSERVATION: A requirement exists for fabrication of temporary gun pads for heavy artillery pieces for use upon initial occupation of position.

(b) EVALUATION: This unit has experienced numerous difficulties in employment of the 175MM and 8-Inch (SP) weapons due to the nature of the local ground conditions. Even a small amount of rain causes the bearing capacity of the soil to decrease thereby resulting in the gun becoming mired to the extent as to make it extremely difficult to fire. In one unit a wood platform was constructed of 3 inch thick lumber and 3 feet engineer stakes. A sketch of this pad is attached as inclosure 2. This pad has served surprisingly well for a period of approximately one month.

(c) RECOMMENDATION: That heavy units be issued a reserve stock of lumber suitable for such pads and that such pads be built for use as soon as possible after occupation of position.

c. Training: None

d. Intelligence: None

e. Logistics: None

f. Organization: None

g. Survival Escape and Evasion: Negative Report

h. Other: None

2 Incl
as



FRANK M. KULIK JR.
LTC, FA
Commanding

DISTRIBUTION:

- 2 - CINCUSARPAC, ATTN: GPOP-DT
- 3 - CGUSARV, ATTN: AVHGC (DST)
- 4 - CGXXIV, ATTN: AVII-GCT
- 5 - HQ, 8th Bn, 4th Arty, ATTN: S3
- 7 - CO, 108th Arty Gp, ATTN: AVGL-C

CONFIDENTIAL

CONFIDENTIAL

AVGLCO (5 Feb 69) 1st Ind
SUBJECT: Operational Report of 8th Battalion (175M²/8 Inch) (SF)
4th Artillery for Period Ending 31 January 1969, (PCS CSFOR-65)
(A-1) (U)

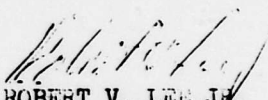
HEADQUARTERS, 108th Artillery Group, ATTN: AVGLC, APO San Francisco
96269, 11 February 1969

TO: Commanding General, XXIV Corps Artillery, ATTN: AVILAT, APO
San Francisco 96308

1. (C) Paragraph 1.g(1) as reads total assigned 522 is amended to read 552.
2. (C) Concur with recommendations made in Section 2:

a. Reference paragraph 2b(1). Not only is the splitting of firing batteries in direct conflict with XXIV Corps Tactical SOP paragraph 3c (pg 2-2-1) dtd 1 Dec 1968, unsafe conditions result from the lack of personnel and equipment to properly control fires in accordance with standing operating procedures.

b. Reference paragraph 2b(2). The requirement for the construction of temporary pads does exist on many occasions. However, I do not feel that a reserve stock of lumber is required to satisfy this requirement.


ROBERT V. LEE JR.
Colonel, Field Artillery
Commanding

6
DOWNGRADED AT 3 YEAR INTERVALS;
DECLASSIFIED AFTER 12 YEARS.
DOD DIR 5200.10

CONFIDENTIAL

AVII-ATC (5 Feb 69) 2nd Ind
Subject: Operational Report of 8th Battalion (175mm/8") (SP) 4th
Artillery for period ending 31 January 1969. RCS CSFOR-65
(R-1) (U)

Headquarters, XXIV Corps Artillery, ATTN: AVII-ATC, APO San Francisco
96308 22 February 1969


TO: Commanding General, XXIV Corps Attn: AVII-GCT, APO San Francisco 96308

1. (U) The ORLL of the 8th Battalion, 4th Artillery has been received at
HQ XXIV Corps Artillery and is forwarded in accordance with USARV Reg
525-15.

2. (U) Concur with comments on 1st indorsement.

3. (U) Concur with comments in Section 2 Lessons Learned: Commander's
Observations, Evaluation and Recommendations.

FOR THE COMMANDER:


HERBERT SIEGEL
MAJ, ADA
Adjutant

AVHGC-DST (5 Feb 69) 4th Ind
SUBJECT: Operational Report of Headquarters, 8th Battalion (175MM/8 Inch)
(SP), 4th Artillery for Period Ending 31 January 1969
(RCS CSFOR-65) (hl)

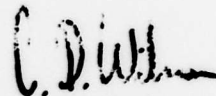
HEADQUARTERS, UNITED STATES ARMY, VIETNAM, APO San Francisco 96375 22 APR 1969

TO: Commander in Chief, United States Army, Pacific, ATTN: GPOP-IV,
APO 96558

1. This headquarters has reviewed the Operational Report-Lessons Learned for the quarterly period ending 31 January 1969 from Headquarters, 8th Battalion (175MM/8 Inch) (SP), 4th Artillery.

2. Reference item concerning splitting the firing elements of heavy artillery batteries, section II, page 4, paragraph b(1); and 1st Indorsement, paragraph 2a. Nonconcur on the specific recommendation of taxing a supported or reinforced unit for additional personnel, communication equipment, and transportation. This is not an acceptable solution because it does nothing more than transfer the burden to the supported or reinforced unit. No further action required by higher headquarters.

FOR THE COMMANDER:



C. D. WILSON
1LT, AGC
Assistant Adjutant General

Cy furn:
HQ, 8th Bn (175MM/8 Inch) (SP), 4th Arty
HQ, XXIV Corps

GPOP-DT (5 Feb 69) 5th Ind (U)


SUBJECT: Operational Report of HQ, 8th Bn (175mm/8 Inch)(SP), 4th Army
for Period Ending 31 January 1969, RCS CSFOR-65 (R1) (U)

HQ, US Army, Pacific, APO San Francisco 96558 **13 MAY 1969**

TO: Assistant Chief of Staff for Force Development, Department of the
Army, Washington, D. C. 20310

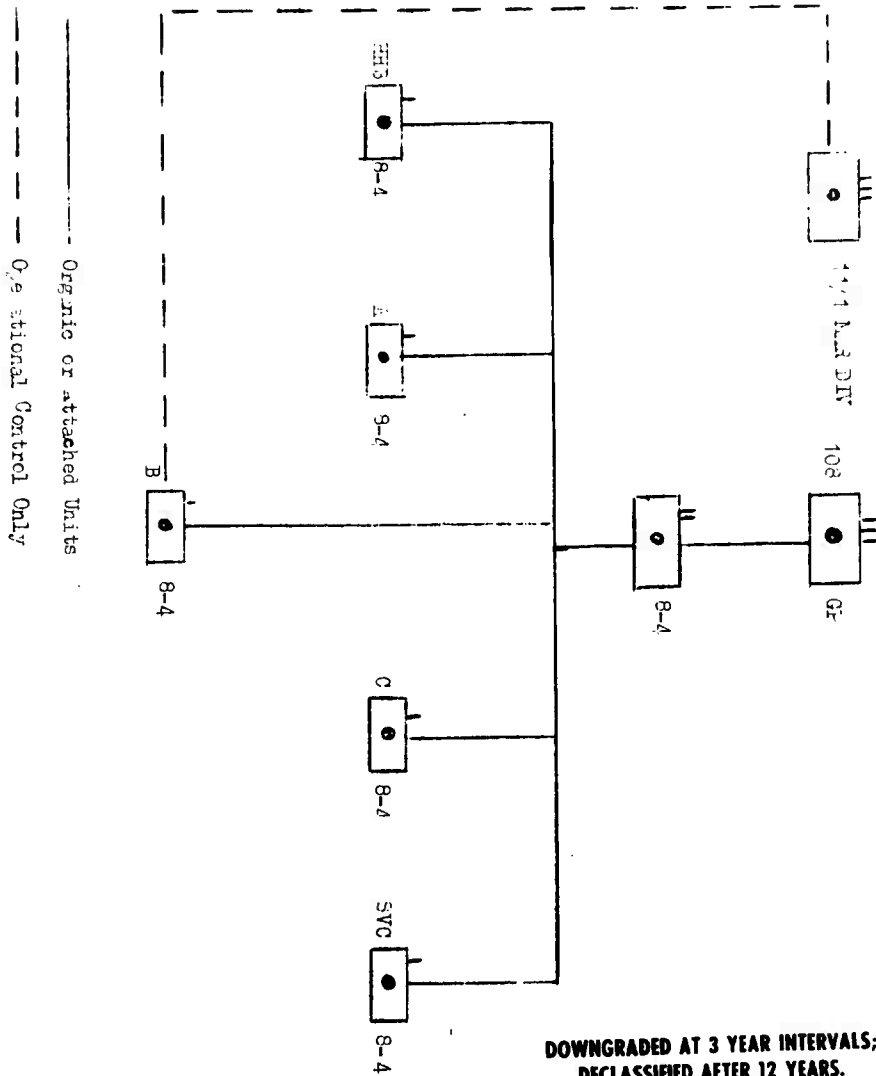
This headquarters has evaluated subject report and forwarding indorse-
ments and concurs in the report as indorsed.

FOR THE COMMANDER IN CHIEF:


G. E. HOLEFIELD
MAJ, AGC
Asst AG

CONFIDENTIAL

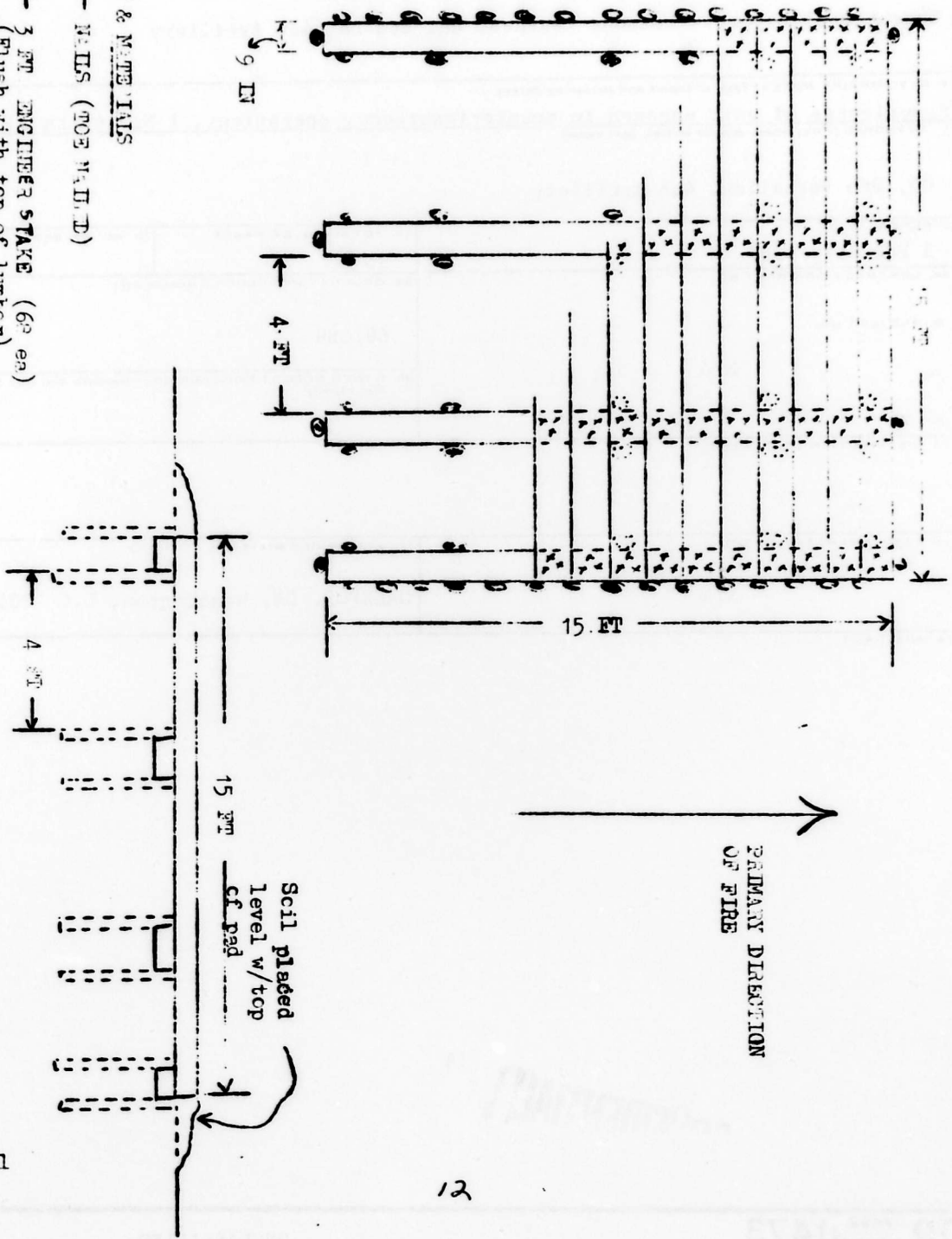
8TH BATTALION (175MM/8 INCH) (SP), 4TH ARTILLERY
Organization Chart



**DOWNGRADED AT 3 YEAR INTERVALS;
DECLASSIFIED AFTER 12 YEARS.
DOD DIR 5200.10**

GUN PAD

- KEY & MATERIALS**
- X** - NAILS (FOR NAILING)
 - ⊙** - 3 FT ENGINEER STAKE (60 ea)
(Flush with top of lumber)
- 24 pieces of 3" by 9" by 5' lumber



2 Incl

UNCLASSIFIED

Security Classification

~~CONFIDENTIAL~~

DOCUMENT CONTROL DATA - R & D

(Security classification of title, body of abstract and indexing annotation must be entered when the overall report is classified)

1. ORIGINATING ACTIVITY (Corporate author) HQ, OACSFOR, DA, Washington, D. C. 20310	2a. REPORT SECURITY CLASSIFICATION Confidential
	2b. GROUP 4

3. REPORT TITLE
Operational Report - Lessons Learned, Hq, 8th Bn, 4th Artillery

4. DESCRIPTIVE NOTES (Type of report and inclusive dates)
Experiences of unit engaged in counterinsurgency operations, 1 Nov 68 to 31 Jan 69.

5. AUTHOR(S) (First name, middle initial, last name)
CO, 8th Battalion, 4th Artillery

6. REPORT DATE 5 February 1969	7a. TOTAL NO. OF PAGES 15	7b. NO. OF REFS
-----------------------------------	------------------------------	-----------------

8a. CONTRACT OR GRANT NO. b. PROJECT NO. c. N/A d.	9a. ORIGINATOR'S REPORT NUMBER(S) 691089
	9b. OTHER REPORT NO(S) (Any other numbers that may be assigned this report)

10. DISTRIBUTION STATEMENT

11. SUPPLEMENTARY NOTES N/A	12. SPONSORING MILITARY ACTIVITY OACSFOR, DA, Washington, D.C 20310
--------------------------------	--

13. ABSTRACT

~~CONFIDENTIAL~~

THIS REPORT HAS BEEN DELIMITED
AND CLEARED FOR PUBLIC RELEASE
UNDER DOD DIRECTIVE 5200.20 AND
NO RESTRICTIONS ARE IMPOSED UPON
ITS USE AND DISCLOSURE.

DISTRIBUTION STATEMENT A

APPROVED FOR PUBLIC RELEASE;
DISTRIBUTION UNLIMITED.