

UNCLASSIFIED

AD NUMBER

AD505392

CLASSIFICATION CHANGES

TO: unclassified

FROM: confidential

LIMITATION CHANGES

TO:
Approved for public release, distribution
unlimited

FROM:
Controlling DoD Organization: Assistant
Chief of Staff for Force Development
[Army], Washington, DC.

AUTHORITY

AGO D/A ltr dtd 29 Apr 1980; AGO D/A ltr
dtd 29 Apr 1980

THIS PAGE IS UNCLASSIFIED

THIS REPORT HAS BEEN DELIMITED
AND CLEARED FOR PUBLIC RELEASE
UNDER DOD DIRECTIVE 5200.20 AND
NO RESTRICTIONS ARE IMPOSED UPON
ITS USE AND DISCLOSURE.

DISTRIBUTION STATEMENT A

APPROVED FOR PUBLIC RELEASE;
DISTRIBUTION UNLIMITED.

SECURITY

MARKING

**The classified or limited status of this report applies to each page, unless otherwise marked.
Separate page printouts **MUST** be marked accordingly.**

THIS DOCUMENT CONTAINS INFORMATION AFFECTING THE NATIONAL DEFENSE OF THE UNITED STATES WITHIN THE MEANING OF THE ESPIONAGE LAWS, TITLE 18, U.S.C., SECTIONS 793 AND 794. THE TRANSMISSION OR THE REVELATION OF ITS CONTENTS IN ANY MANNER TO AN UNAUTHORIZED PERSON IS PROHIBITED BY LAW.

NOTICE: When government or other drawings, specifications or other data are used for any purpose other than in connection with a definitely related government procurement operation, the U.S. Government thereby incurs no responsibility, nor any obligation whatsoever; and the fact that the Government may have formulated, furnished, or in any way supplied the said drawings, specifications, or other data is not to be regarded by implication or otherwise as in any manner licensing the holder or any other person or corporation, or conveying any rights or permission to manufacture, use or sell any patented invention that may in any way be related thereto.

CONFIDENTIAL



**DEPARTMENT OF THE ARMY
OFFICE OF THE ADJUTANT GENERAL
WASHINGTON, D.C. 20310**

IN REPLY REFER TO

AGDA (M) (17 Oct 69) FOR OT UT 693172

28 October 1969

SUBJECT: Operational Report - Lessons Learned, Headquarters, 307th Aviation Battalion, Period Ending 31 July 1969 (U)

SEE DISTRIBUTION

1. Subject report is forwarded for review and evaluation in accordance with paragraph 5b, AR 525-15. Evaluations and corrective actions should be reported to ACSFOR OT UT, Operational Reports Branch, within 90 days of receipt of covering letter.
2. Information contained in this report is provided to insure appropriate benefits in the future from lessons learned during current operations and may be adapted for use in developing training material.

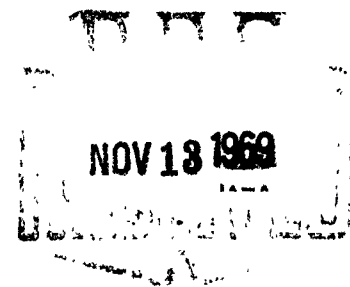
BY ORDER OF THE SECRETARY OF THE ARMY:

**KENNETH G. WICKHAM
Major General, USA
The Adjutant General**

1 Incl
as

DISTRIBUTION:

Commanding Generals
US Continental Army Command
US Army Combat Developments Command
Commandants
US Army War College
US Army Command and General Staff College
US Army Adjutant General School
US Army Air Defense School
US Army Armor School
US Army Aviation School
US Army Combat Surveillance School
US Army Electronic Warfare School
US Army Engineer School
US Army Field Artillery School
US Army Infantry School



**Regraded unclassified when separated
from classified inclosure.**

CONFIDENTIAL

AD505392

CONFIDENTIAL

DISTRIBUTION (Cont'd)

- US Army Intelligence School
- US Army Missile and Munitions School
- US Army Ordnance School
- US Army Signal School
- US Army Southeastern Signal School
- US Army Special Warfare School
- US Army Transportation School

Copies furnished:

- Office, Chief of Staff, US Army
- Deputy Chiefs of Staff
- Chief of Research and Development
- Assistant Chiefs of Staff
- Chief of Engineers
- OSD(SA) Assistant for Southeast Asia Forces
- Director, Defense Research and Engineering
- Office, Joint Chiefs of Staff
- Commanding Generals
 - US Army Materiel Command
 - US Army Flight Training Center
- Deputy Chief of Staff, Air Force, Plans & Operations
- Commandant of the Marine Corps
- Senior Army Representative, Marine Corps Development & Education Command
- Defense Documentation Center
- Security Officer, Hudson Institute
- Commanding Officers
 - US Army Limited War Laboratory
 - US Army Logistics, Doctrine Systems & Readiness Agency
 - US Army Aviation Test Activity
 - US Army Mobility Equipment Research & Development Center
 - 307th Aviation Battalion

CONFIDENTIAL

DEPARTMENT OF THE ARMY
HEADQUARTERS, 307TH AVIATION BATTALION (C) (U)
APO San Francisco 96215

AVEMBN-PC

August 1969

SUBJECT: Operational Report of the 307th Aviation Battalion (Combat)
for Period ending 31 July 1969, RCS, CSFOR-69 (U)

1. (C) SECTION I OPERATIONS: SIGNIFICANT ACTIVITIES:

a. (C) MISSION: There has been no change in the battalion mission since the last reporting period.

b. (U) ORGANIZATION: There has been no change in the battalion organization since the last reporting period. (See Organization and Station Chart, Incl 1)

c. (C) COMMAND GROUP PERSONNEL:

(1) (U) The battalion had nearly a 100 percent turnover rate in the principal staff and command positions.

(2) (C) Composition of the Battalion Command Group:

<u>POSITION</u>	<u>RANK</u>	<u>BRANCH</u>	<u>NAME/SSAN</u>	<u>ASSIGNED</u>	<u>RELEASED</u>
Commander	LTC	TC	William H. Gulton	30 Jun 69	N/A
Commander	LTC	INF	Billy E. Rutherford	2 Jan 69	29 Jun 69
Exec Off	MAJ	TC	Karl A. Bruegger	27 Nov 69	N/A
Exec Off	MAJ	INF	Rex E. Saindon	18 Mar 69	26 May 69
S1	CPT	INF	Jerry L. Black	24 Jun 69	N/A
S1	MAJ	FA	James O. Starkey	28 Oct 68	23 Jun 69
S2	CPT	ADA	James H. Kurilko	23 Apr 69	N/A
S3	MAJ	SC	Howard D. Burks	15 Mar 69	N/A
S4	MAJ	ADA	Thomas R. Chapman	27 May 69	N/A
S4	MAJ	TC	Karl A. Bruegger	18 Jan 69	26 May 69

FOR OT UT
693172
Inclosure

CONFIDENTIAL

DOWNGRADED AT 3 YEAR INTERVALS;
DECLASSIFIED AFTER 12 YEARS.
DOD DIR 5200.10

CONFIDENTIAL

AVBAEN-PC

14 August 1969

SUBJECT: Operational Report of the 307th Aviation Battalion (Combat)
for Period ending 31 July 1969, RCS, CSFOR-65 (RI) (5)

(3) (C) Subordinate Unit Commander Changes:

(a) All of the major subordinate unit commanders changed during the reporting period.

(b) Composition of the major subordinate commanders:

<u>UNIT</u>	<u>RANK</u>	<u>BRANCH</u>	<u>NAME/SSAN</u>	<u>COMMANDED FROM</u>	<u>TO</u>
HHC	CPT	ADA	James R. Murphy ██████████	15 Jul 69	N/A
HHC	CPT	INF	James C. Wilson ██████████	20 Jan 69	14 Jul 69
199th Avn Co	MAJ	INF	Robert A. King ██████████	4 May 69	N/A
199th Avn Co	MAJ	EE	Gary L. Kline ██████████	1 Jan 69	3 May 69
235th Avn Co	MAJ	INF	Dewitt T. Monroe ██████████	6 Jul 69	N/A
235th Avn Co	MAJ	INF	Charles A. Teague ██████████	26 Jan 69	5 Jul 69
244th Avn Co	MAJ	SC	Milton D. Brooks ██████████	30 Jul 69	N/A
244th Avn Co	MAJ	SC	Jerry C. Mills ██████████	30 Jun 69	29 Jul 69
244th Avn Co	MAJ	ADA	Edward J. Horton ██████████	14 Jan 69	29 Jun 69
271st Avn Co	MAJ	INF	William J. Hennigan ██████████	6 Jul 69	N/A
271st Avn Co	MAJ	ADA	John J. Wright ██████████	5 Feb 69	5 Jul 69

(c) Subordinate unit executive officer turn-overs are as follows: In the 199th Avn Co (Util Airplane) CPT Marshall J. Hough Jr., FA, ██████████ was replaced by CPT Robert E. Johnston, AR, ██████████ on 14 Jun 69. In the 244th Avn Co (Surv Airplane) CPT Gary R. Watson, INF, ██████████ replaced MAJ William A. Jugel, SC, ██████████ on 30 Jul 69.

CONFIDENTIAL

CONFIDENTIAL

AVBAEN-PC

14 August 1969

SUBJECT: Operational Report of the 307th Aviation Battalion (Combat)
for Period Ending 31 July 1969, RCS, CSFOR-65 (RI) (U)

d. (C) UNIT STRENGTH AS OF 31 JULY 1969:

<u>SUBORDINATE UNIT</u>	<u>OFFICER AUTH O/H</u>		<u>WO AUTH O/H</u>		<u>EM AUTH O/H</u>		<u>TOTAL AUTH O/H</u>	
199th Avn Co	32	27	2	3	89	80	123	110
235th Avn Co	17	18	39	34	198	205	254	257
244th Avn Co	19	21	22	2	290	287	331	310
271st Avn Co	15	16	26	22	227	208	268	246
78th FA Det	0	1	1	0	8	6	9	7
774th Med Det	1	1	0	0	7	10	8	11
13th Scty Plt	1	4	0	0	106	76	107	80
HHC 307th Avn Bn	19	17	3	6	86	71	108	94
307th Avn Bn (Cbt)	104	105	93	67	1011	943	1208	1115

e. (C) CIVILIAN:

<u>SUBORDINATE UNIT</u>	<u>VN AUTH O/H</u>		<u>TECH REP AUTH O/H</u>	
199th Avn Co	4	4		
235th Avn Co	4	4	0	1
244th Avn Co	2	1	0	2
271st Avn Co			0	2
774th Med Det	1	0		
HHC 307th Avn Bn	4	4		
307th Avn Bn (Cbt)	15	13	0	5

f. (U) AWARDS PRESENTED 1 MAY TO 31 JULY 1969:

<u>AWARD</u>	<u>199th</u>	<u>235th</u>	<u>244th</u>	<u>271st</u>	<u>HHC</u>	<u>307th</u>
Silver Star	1	2				3
DFC	1	4	1		2	8
Bronze Star	6	14	2	8	12	42
ARCOM	4	33	5	29	9	80
Air Medal	13	19	10	95	16	155
Purple Heart	5	1		3	1	10

CONFIDENTIAL

CONFIDENTIAL

AVBAEN-PC

14 August 1969

SUBJECT: Operational Report of the 307th Aviation Battalion (Combat)
for Period Ending 31 July 1969, RCS, CSFOR-65 (RI) (U)

g. (C) AIRCRAFT STATUS PRESENTED 1 MAY 31 JULY 1969:

SUBORDINATE UNIT	UH-1		CH-47		AH-1G		O-1		OV-1		U-6		OH-6
	AUTH	O/H	AUTH	O/H	AUTH	O/H	AUTH	O/H	AUTH	O/H	AUTH	O/H	A/H
199th Avn Co							24	25			0	1	
235th Avn Co	3	3			21	19							
244th Avn Co									18	17	0	1	
271st Avn Co				15									2
BHC	0	1											3
<hr/>													
307th Avn Bn	3	4	16	15	21	19	24	25	18	17	0	2	5

h. (U) R & R ALLOCATIONS: 1 MAY TO 31 JULY 1969:

<u>CITY</u>	<u>MAY</u>	<u>JUNE</u>	<u>JULY</u>
Hawaii	24	22	21
Bangkok	13	11	11
Manila	3	3	4
Tokyo	5	5	5
Hong Kong	11	10	10
Penang	0	0	1
Taipei	9	8	6
Singapore	5	5	5
Sydney	17	14	15
Kuala Lumpur	3	4	0
<hr/>			
Totals	90	82	78

i. (C) OPERATIONAL SUPPORT AND EVENTS:

(1) (C) VC incidents in the Can Tho Army Airfield - Binh Thuy Air Base Complex remained at a very low rate throughout the reporting period. One item of significance was the shelling of BTAB and CTOAAF by a 75mm recoilless rifle used in an indirect fire role. The 75mm recoilless rifle that was used to shell Binh Thuy Air Base was found to be the same weapon that shelled Can Tho Army Airfield. Agents continued to report VC threats of mortar and indirect fire attacks on Can Tho Army Airfield, Binh Thuy Air Base, IV Corps Ammo Dump and Can Tho City on a daily basis, however, the ground missions conducted by the ARVN and many VR missions in this area disrupted the enemy's plans. Can Tho Fire Fly is composed of three (3) AH-1G's and one (1) UH-1 equipped as a flare ship. One (1) AH-1G circles over the Can Tho Army Airfield in a black-out configuration during the hours of darkness while the other ships are on a two (2) minute alert status on the ground. The Fire Fly operation is probably the greatest single factor which disrupts the enemy's intentions of shelling or attacking this area.

CONFIDENTIAL

CONFIDENTIAL

AVBAEN-PC

14 August 1969

SUBJECT: Operational Report of the 307th Aviation Battalion (Combat)

During the month of July the VC increased the sapper terrorist activity in Can Tho City. The main targets of this terrorism seemed to be the areas most visited by US and ARVN troops. Can Tho City was put on restricted travel during 5 to 15 July by the US units in the area. Eight (8) incidents of terrorism occurred in Can Tho City and only one (1) US was wounded. One significant move by a VC Battalion occurred during July. VC Ta Do 2 Local Force Battalion was located in VC Base area 480 near WR3762 for approximately two months. This VC Battalion moved to an area approximately twenty-seven (27) miles west of Can Tho Army Airfield. Other VC units operating in this area are the Tay Do 1 LF Bn, 301st MF Engineer Bn, 962nd Main Force Bn, and an element of the U-Men 10 LF Bn. These VC Battalions have split up into squad size units and are avoiding contact with ARVN and US operations. Agent reports still reflect reconnaissance of BTAB, Can Tho Army Airfield, and the Ammo Dump are being made on a daily basis to gather information to formulate attacks in these areas in the near future. Reports were also received that the VC were firing B-40 grenades at aircraft. On 30 July an AH-1G, while performing a gunship strike, was hit with a B-40 grenade while flying at 400 feet at 120 knots. The aircraft caught fire in flight, however the pilot landed the aircraft. The aircraft burned and both crew members suffered slight injuries. VC actions in the future are expected to exhibit more attacks by fire with fewer harassing actions and small scale but sharp strikes against weak targets.

(2) (C) Airfield Security:

Since the last reporting period, many improvements have been made on the airfield perimeter. Several command bunkers were added to the existing bunker complex. With these bunkers wired directly to the Airfield 10C, a greater amount of control could be realized during any crisis that may arise. Additional perimeter flood lights are under contract to be installed with a completion date expected in the very near future. These additional lights will provide a greater night security capability. A survey was completed on the use of sentry dogs for the airfield and revetments. The results of the survey indicated that sentry dogs could be effectively utilized at Can Tho Army Airfield and that when the man/dog teams became available, they would be assigned to the battalion. The deterrent ability of the perimeter might be measured in view of the fact that almost daily sapper attacks were predicted against Can Tho Army Airfield and none took place, even though several significant sapper attacks did take place in Can Tho City. AH-1G aircraft continue to provide an airborne night security and a deterrent against enemy indirect fire capabilities directed at Can Tho Army Airfield.

(3) (C) The battalions offensive operation, Phantom III, continued to obtain significant results of enemy killed and structures and sampans destroyed. Significant to note is the fact that a large number of Noi Chanh's

- 5 -

CONFIDENTIAL

CONFIDENTIAL

AVSABN-PC

14 August 1969

SUBJECT: Operational Report of the 307th Aviation Battalion (Combat)
for Period Ending 31 July 1969, RCS, CSFOR-65 (RI) (U)

are listing their fear of the "Cobra" air strikes as one of their main reasons for surrendering. Phantom III results for period 1 May to 31 July are as follows:

<u>DAYS</u>	<u>SIRIKES</u>	<u>KBA</u> <u>CONF/EST</u>	<u>WBA</u> <u>CONF/EST</u>	<u>STRUCTURES</u> <u>DEST/DAM</u>	<u>SAMPANS</u> <u>DEST DAM</u>	<u>SECONDARIES</u>
89	293	689 / 38	168 / 0	3206 / 1210	774 / 270	292

(4) (U) 19,166 hours were flown during this reporting period. Two (2) AH-1G aircraft and one (1) CV-1 aircraft were lost to combat damage but there were no fatalities involved.

Safety Statistics 1 May 1969 To 31 July 1969:

<u>UNIT</u>	<u>FORCED</u> <u>LANDING</u>	<u>PRECAUTIONARY</u> <u>LANDING</u>	<u>INCIDENTS</u>	<u>ACCIDENTS</u>	<u>ACCIDENT RATE</u>
199th Avn Co	0	12	0	3	44.3
235th Avn Co	2	12	0	1	21.4
244th Avn Co	1	12	4	3	99.4
271st Avn Co	2	2	0	3	63.7
307th Avn Bn	5	28	4	10	52.2

(5) (C) During the reporting period, the 199th Avn Co (Utility Airplane) provided the primary means of visual reconnaissance and aerial observation for all provinces in the 7th (ARVN) Division, 9th (ARVN) Division and 44th Special Tactical Zone areas of operation. Two aircraft were assigned to each province in the 44th STZ and were responsible for interior observation as well as their provinces portion of the Cambodian-Vietnamese border. Recently, a Border Control Center Region II was founded in the northern portion of Kien Phong and Kien Tuong Provinces. This area requires three (3) aircraft to provide continuous daylight border surveillance and, therefore leaves only one (1) aircraft in direct support of the provinces in the 44th STZ. An additional mission of the 199th Avn Co is providing night security for Vinh Long Army Airfield. This mission consists of night flights to provide illumination on request of the TOC and to engage or direct strikes against targets threatening the airfield.

(6) (C) The 235th Avn Co (Attack Hel) continued to provide fire support throughout the IV Corps Tactical Zone. Analysis of operations for this period versus last period indicate that more significant results are being obtained from individual missions. Nearly 1600 fewer sorties were flown this period producing 41 more confirmed KBA, an additional 1100 structures and 209 more sampans destroyed than in the same time during the last reporting period.

CONFIDENTIAL

CONFIDENTIAL

AVBARW-PC

14 August 1969

SUBJECT: Operational Report of the 307th Aviation Battalion (Combat)
for Period Ending 31 July 1969, RCS, CSFOR-65 (RI) (U)

(7) (U) The 244th Avn Co (Surv Airplane) provided side looking airborne radar (SLAR) and infra red (IR) coverage nightly for the IV Corps Tactical Zone. Intelligence information received from surveillance efforts was disseminated by telephone and teletype to the using agency and was sent directly to the sectors involved via aircraft radio. Visual photographic missions were flown daily on a pre planned reconnaissance and immediate request basis. There were a total of 14 special missions flown for the US Air Force, Navy, and Special Forces.

(8) (U) The 271st Avn Co (Aslt Spt Hel) continued to perform the mission of prime mover of troops, ammunition and supplies on both a routine and emergency schedule to areas throughout the IV Corps Tactical Zone where larger fixed wing aircraft could not operate. Reassignment of six (6) OH-6A aircraft to units having a critical shortage has resulted in the IV Corps IOW commitment being reduced to two (2) missions each day.

2. (C) SECTION II LESSONS LEARNED: COMMANDERS OBSERVATIONS, EVALUATIONS, RECOMMENDATIONS AND COR AND ACTION:

- a. (U) PERSONNEL: None
- b. (U) OPERATIONS: None
- c. (U) TRAINING: None
- d. (U) INTELLIGENCE: None
- e. (U) LOGISTICS: None
- f. (U) ORGANIZATION: None
- g. (U) REPORTS:

(1) (U) Observation. Nearly all aviators who have recently completed flight school and/or subsequent transition courses are reporting to this unit with an incomplete flight record file.

(2) (U) Evaluation. It has been found that aviators are destroying the second, third, and fourth copies of DA Form 759 due to a lack of knowledge of the distribution requirements for them. The greatest problem seems to occur with the new DA Form 759 (MCH) which is currently prepared at Ft Wolters, Ft Rucker, and Ft Stewart. During the annual audit of flight records, it was necessary to Xerox copy two hundred and fifty (250) individual DA Form 759's for proper distribution.

CONFIDENTIAL

CONFIDENTIAL


AVBABN-PC

14 August 1969

SUBJECT: Operational Report of the 307th Aviation Battalion (Combat)
for Period Ending 31 July 1969, RCS, CSFOR-65 (RI) (U)

(3) (U) Recommendation. It is recommended that the proper maintenance of the individual flight record file be stressed to all aviators and student pilots through classroom instruction in flight school and/or transition courses.

(4) (U) Command Action. A letter has been submitted through channels requesting that necessary action be taken to alleviate this situation.



WILLIAM H. CULTON
LTC, TC
Commanding

2 Incl
as

CONFIDENTIAL

AVBACE-C (14 Aug 69) 1st Ind
SUBJECT: Operational Report of 307th Aviation Battalion (Cbt) For Period
Ending 31 July 1969, CSFOR-65 (R1)

DA, HQ, 164th AVIATION GROUP (CBT), APO 96215, 29 August 1969

TO: SEE DISTRIBUTION

This Headquarters has evaluated subject report and concurs with recommendation, section II, paragraph 2g(3), page 8.

AK 11, 100 11/107
JACK M. TUMBLESON
Colonel, Infantry
Commanding

DISTRIBUTION:

2-DA, ATTN: ACSFOR

1-CG, 1st Avn Ede, ATTN: AVEAGC-O

AVBAGC-O (14 Aug 69) 2d Ind
SUBJECT: Operational Report of 407th Aviation Battalion (Cbt) For Period
Ending 31 July 1969, CSFOR-65 (RI)


DA, HEADQUARTERS, 1ST AVIATION BRIGADE, APO 96304 5 SEP 1969

THRU: Commanding General, United States Army Vietnam, AFM: AF 20-000,
APO 96375
Commander-in-Chief, United States Army Pacific, AFM: SPAP-01,
APO 96558

TO: Assistant Chief of Staff for Force Development, Department of the
Army, Washington, D.C. 20310

This headquarters has reviewed subject report and concurs with the contents
as indorsed.

FOR THE COMMANDER:


ARTHUR W. LITTLE
CPT AGC
Asst AG.

AVHGC-DST (14 Aug 69) 3d Ind

SUBJECT: Operational Report of the 307th Aviation Battalion (Combat) for
Period Ending 31 July 1969, RCS, CSFOR-65 (R1) (U) 20 SEP 1969

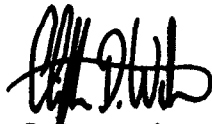
HEADQUARTERS, UNITED STATES ARMY, VIETNAM, APO San Francisco
96375

TO: Commander in Chief, United States Army, Pacific, ATTN: GPOP-DT,
APO 96558

1. This headquarters has reviewed the Operational Report-Lessons Learned
for the quarterly period ending 31 July 1969 from Headquarters 307th
Aviation Battalion (Combat).

2. Reference item concerning "REPORTS", section II, page 7,
paragraph 2g; concur. Correspondence will be forwarded to DA, ACSFOR,
concerning problem areas related to DA Forms 759 and 759-1. Further
action is required by USARPAC and DA.

FOR THE COMMANDER:



C. D. WILSON
1LT, AGC
Assistant Adjutant General

Cy furn:
307th Avn Bn
1st Avn Bde

GPOP-DT (14 Aug 69) 4th Ind (U)
SUBJECT: Operational Report of HQ, 307th Aviation Battalion (Cbt) for
Period Ending 31 July 1969, RCS CSFOR-65 (R1)


HQ, US Army, Pacific, APO San Francisco 96558

4 00 69

TO: Assistant Chief of Staff for Force Development, Department of the
Army, Washington, D. C. 20310

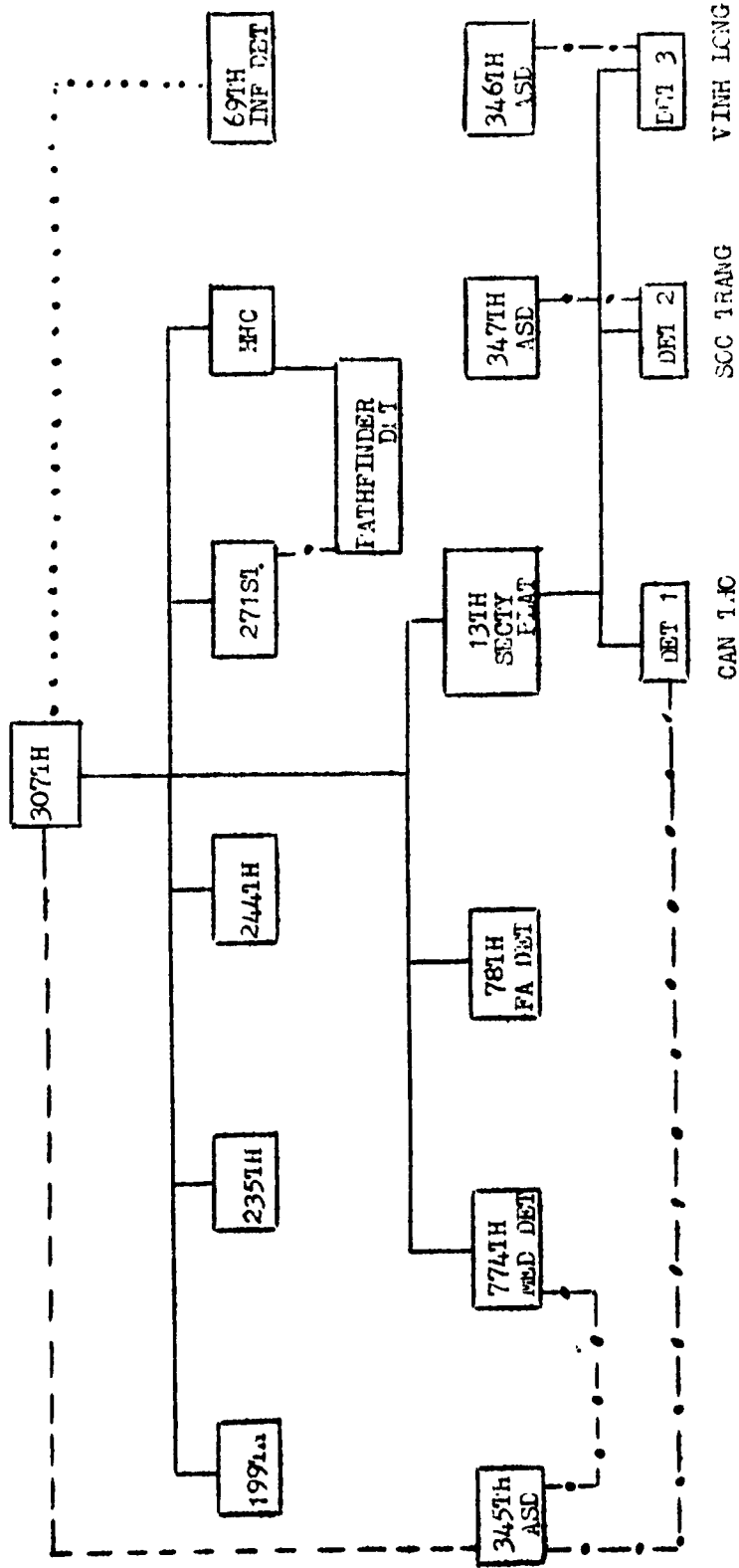
This headquarters concurs in subject report as indorsed.

FOR THE COMMANDER IN CHIEF:


C. I. [unclear]
CFT, AGC
Asst AG

CONFIDENTIAL

307TH AVIATION BATTALION (CC EAT)
ORGANIZATION AND STATION CHART



GROUP 4
DOWNGRADED AT 3 YEAR INTERVALS
DECLASSIFIED AFTER 12 YEARS

--- ATTACHED FOR SUPPLY & LOGISTICS SUPPORT

- - - OPERATIONAL CONTROL & MILITARY JUSTICE

..... ATTACHED FOR ALL PURPOSES

CONFIDENTIAL

CONFIDENTIAL

307TH AVIATION BATTALION (COMBAT)
Operational Statistics
1 May 1969 - 31 July 1969

UNIT	SERIES	HOURS FLOWN				KBA	STRUCTURES		SAMEANS		AIRCRAFT COMBAT		
		MAY	JUNE	JULY	TOTAL		D. ST	DAM	DECT	DAM	HITS	DEST. DAM	
199th Avn Co	7580	1984	2377	2411	6772	272	133	102	151	173	2	0	2
235th Avn Co	5756	1450	1537	1046	4669	884	3903	2857	941	210	32	3	31
244th Avn Co	938	1015	903	1100	3018	0	0	0	0	0	2	0	1
271st Avn Co	10,823	1645	1422	1440	4707	6	60	0	39	0	45	0	19
307th Avn Bn	24,899	6330	6239	6597	19,166	1169	4096	2989	1131	353	81	3	53

GROUP 4
EXCLUDED FROM AUTOMATIC
DOWNGRADING AND
DECLASSIFICATION

Incl 2

CONFIDENTIAL

UNCLASSIFIED

Security Classification

DOCUMENT CONTROL DATA - R & D

(Security classification of title, body of abstract and indexing annotation must be entered when the overall report is classified)

1. ORIGINATING ACTIVITY (Corporate author) HQ, OACSFOR, DA, Washington, D.C. 20310	2a. REPORT SECURITY CLASSIFICATION CONFIDENTIAL
	2b. GROUP 4

3. REPORT TITLE
Operational Report - Lessons Learned, HQ, 307th Aviation Battalion

4. DESCRIPTIVE NOTES (Type of report and inclusive dates)
Experiences of unit engaged in counterinsurgency operations, 1 May 69 to 31 July 69.

5. AUTHOR(S) (First name, middle initial, last name)
CO, 307th Aviation Battalion

6. REPORT DATE 14 August 1969	7a. TOTAL NO OF PAGES 17	7b. NO OF REFS
----------------------------------	-----------------------------	----------------

8a. CONTRACT OR GRANT NO b. PROJECT NO c. N/A d.	9a. ORIGINATOR'S REPORT NUMBER(S) 693172
	9b. OTHER REPORT NO(S) (Any other numbers that may be assigned this report)

10. DISTRIBUTION STATEMENT

11. SUPPLEMENTARY NOTES N/A	12. SPONSORING MILITARY ACTIVITY OACSFOR, DA, Washington, D.C. 20310
--------------------------------	---

13. ABSTRACT

15