

UNCLASSIFIED

AD NUMBER

AD509188

CLASSIFICATION CHANGES

TO: unclassified

FROM: confidential

LIMITATION CHANGES

TO:
Approved for public release, distribution unlimited

FROM:
Distribution authorized to U.S. Gov't. agencies and their contractors; Administrative/Operational Use; 21 MAY 1970. Other requests shall be referred to Army Adjutant General Office, Washington, DC 20310.

AUTHORITY

ago, d/a ltr, 25 jun 1975; ago, d/a ltr 25 jun 1975

THIS PAGE IS UNCLASSIFIED

SECURITY

MARKING

The classified or limited status of this report applies to each page, unless otherwise marked.

Separate page printouts MUST be marked accordingly.

THIS DOCUMENT CONTAINS INFORMATION AFFECTING THE NATIONAL DEFENSE OF THE UNITED STATES WITHIN THE MEANING OF THE ESPIONAGE LAWS, TITLE 18, U.S.C., SECTIONS 793 AND 794. THE TRANSMISSION OR THE REVELATION OF ITS CONTENTS IN ANY MANNER TO AN UNAUTHORIZED PERSON IS PROHIBITED BY LAW.

NOTICE: When government or other drawings, specifications or other data are used for any purpose other than in connection with a definitely related government procurement operation, the U.S. Government thereby incurs no responsibility, nor any obligation whatsoever; and the fact that the Government may have formulated, furnished, or in any way supplied the said drawings, specifications, or other data is not to be regarded by implication or otherwise as in any manner licensing the holder or any other person or corporation, or conveying any rights or permission to manufacture, use or sell any patented invention that may in any way be related thereto.



CONFIDENTIAL

DEPARTMENT OF THE ARMY
OFFICE OF THE ADJUTANT GENERAL
WASHINGTON, D.C. 20310

20

18 OACSFOR

IN REPLY REFER TO

19

AGDA (M) (13 May 70)

FOR OT-UT-701250 ✓

21 May 1970 ✓

AD 509188

SUBJECT: Operational Report Lessons Learned, Headquarters, 16th Military Police Group ~~Reported During 9th February 1970~~

SEE DISTRIBUTION

Operational rpt. for 31 Jan 70.
p. ending 31 Jan 70.

Information of this report is classified as "Secret" in accordance with the provisions of Executive Order 11652, dated 20 Dec 1969, and AR 600-10, dated 15 Feb 1970, which in any case, the unauthorized disclosure of information is prohibited by law.

1. Subject report is forwarded for review and evaluation in accordance with paragraph 4b, AR 525-15. Evaluations and corrective actions should be reported to ACSFOR OT UT, Operational Reports Branch, within 90 days of receipt of covering letter.

2. Information contained in this report is provided to insure appropriate benefits in the future from lessons learned during current operations and may be adapted for use in developing training material.

FILE COPY

BY ORDER OF THE SECRETARY OF THE ARMY:

11 14 Feb 70
12 15 p.

Kenneth G. Wickham

KENNETH G. WICKHAM
Major General, USA
The Adjutant General

1 Incl
as

DISTRIBUTION:

- Commanding Generals
 - US Continental Army Command
 - US Army Combat Developments Command
- Commandants
 - US Army War College
 - US Army Command and General Staff College
 - US Army Armor School
 - US Army Engineer School
 - US Army Field Artillery School
 - US Army Infantry School
 - US Army Institute for Military Assistance
 - US Army Military Police School
 - US Army Transportation School

DDC
FORNITED
JUN 11 1970
FORNITED
E

Copies furnished:
Office, Chief of Staff, US Army

Regraded unclassified when separated
from classified inclosure.

CONFIDENTIAL

713E

003 (5)

CONFIDENTIAL

DEPARTMENT OF THE ARMY
HEADQUARTERS, 16TH MILITARY POLICE GROUP
APO San Francisco 96240

AVBGF

11 February 1970

SUBJECT: Operational Report-Lessons Learned, Headquarters, 16th Military
Police Group, Period Ending 31 January 1970, RCS CSFOR-65(R2) (U)

SEE DISTRIBUTION

1. (C) Operations: Significant Activities.

a. Mission: Headquarters, 16th Military Police Group, provides command, staff planning, and control of three Military Police Battalions and two separate Military Police Companies (Sentry Dog) within I and II Corps Tactical Zones in the Republic of Vietnam.

b. Organization: See Inclosure 1.

c. Personnel, Morale and Discipline:

(1) Decorations:

(a) Soldiers Medal	1
(b) Legion of Merit	2
(c) Bronze Star (Valor)	18
(d) Bronze Star (Service)	58
(e) Air Medal	6
(f) Army Commendation Medal (Valor)	44
(g) Army Commendation Medal (Service)	97
(h) Purple Heart	8
(i) Good Conduct Medal	27
(j) Brigade Certificate of Achievement	321

FOR OT UT
701250
Inclosure

1
CONFIDENTIAL

1
DOWNGRADED AT 3 YEAR INTERVALS;
DECLASSIFIED AFTER 12 YEARS.
DOD DIR 5200.10

1
CONFIDENTIAL

AVBGF

14 February 1970

SUBJECT: Operational Report-Lessons Learned, Headquarters, 16th Military
Police Group, Period Ending 31 January 1970, RCS CSFOR -65(R2) (U)

(2) Key Personnel Assignments and Departures:

(a) Assignments:

<u>NAME</u>	<u>GRADE</u>	<u>JOB TITLE</u>	<u>DATE</u>
BEE, Arlen	MAJ	S4	November
RICCIARDULLI, Robert	CPT	S2	November
BAZ, Sharkey A.	CPT(P)	Ass't S3	January
HARMEILING, John	1LT	Commo Officer	January

(b) Departures:

<u>NAME</u>	<u>GRADE</u>	<u>JOB TITLE</u>	<u>DATE</u>
BERRONG, Larry B.	CPT	S2	November
KING, Clarence	MSG	S4 NCO	November
MCDOWELL, Rowland F.	LTC	XO	December
ZINDEL, Charles	CPT	Commo Officer	January
HAYWARD, Daren R.	SFC	Traffic Control NCO	January

(3) Casualties:

(a) Battle Losses

	<u>OFF</u>	<u>WO</u>	<u>EM</u>	<u>TOTAL</u>
<u>1</u> Killed	0	0	0	0
<u>2</u> Wounded	1	0	8	9

(b) Non-Battle Losses

	<u>OFF</u>	<u>WO</u>	<u>EM</u>	<u>TOTAL</u>
<u>1</u> Killed	0	0	0	0
<u>2</u> Injured	0	0	13	13

(4) Reenlistments:

	<u>Eligible</u>	<u>Reenlistments</u>
(a) 1st Term RA	46	16
(b) RA Career	20	20
(c) AUS	176	0
(d) Other	0	0
(e) Total	242	36

Inclosure

2

CONFIDENTIAL

CONFIDENTIAL

AVBQF

14 February 1970

SUBJECT: Operational Report-Lessons Learned, Headquarters, 16th Military Police Group, Period Ending 31 January 1970, RCS CSFOR-65(R2) (U)

(5) Civilian Personnel:

	<u>Authorized</u>	<u>Employed</u>
(a) Program Six Civilianization	33	32
(b) Augmentation TDA P5-WFPEAA-99 1 January 1969	115	113
(c) Total	148	145

(6) R&R

<u>Month</u>	<u>% Utilized</u>
November	97.5%
December	96.5%
January	97.75%

(7) Strengths:

(a) As of 1 November 1969

<u>AUTH</u>				<u>ASG</u>			
<u>OFF</u>	<u>WO</u>	<u>EM</u>	<u>TOTAL</u>	<u>OFF</u>	<u>WO</u>	<u>EM</u>	<u>TOTAL</u>
86	5	1955	1927	77	5	1766	1858

(b) As of 31 January 1970

<u>AUTH</u>				<u>ASG</u>			
<u>OFF</u>	<u>WO</u>	<u>EM</u>	<u>TOTAL</u>	<u>OFF</u>	<u>WO</u>	<u>EM</u>	<u>TOTAL</u>
91	5	2083	1927	81	5	1706	1792

(8) Extensions of Overseas Tour:

(a) Total Extensions	<u>OFF</u>	<u>EM</u>	<u>TOTAL</u>
November	0	41	41
December	0	30	30
January	0	74	74

Inclosure

3

CONFIDENTIAL

CONFIDENTIAL

AVBGF

14 February 1970

SUBJECT: Operational Report-Lessons Learned, Headquarters, 16th Military Police Group, Period Ending 31 January 1970, RCS CSFOR-65(R2) (U)

(b) Under PL 89-735 (6 mo)	<u>OFF</u>	<u>EM</u>	<u>TOTAL</u>
November	0	16	16
December	0	15	15
January	0	23	23

(9) Discipline, Law and Order:

(a) General Courts - 1

(b) Special Courts - 9

(c) Summary Courts - 0

(d) Article 15, UCMJ - 153

(10) Congressional Inquiries: 13

(11) Publications:

(a) 16th MP Gp Regulation 190-91, Police Information Program, 11 November 1969.

(b) 16th MP Gp Regulation 190-47, Serious Incident Reports, 18 November 1969.

(c) 16th MP Gp Regulation 190-33, Physical Security Inspections, 28 November 1969.

(d) LOI 15-69, 504th Military Police Battalion, 5 December 1969.

(e) 16th MP Gp Regulation 380-5, Safeguarding Defense Information, 8 December 1969.

(f) LOI 1-70, Sentry Dog Operations, 3 January 1970.

(g) 16th MP Gp Regulation 735-28, Accounting for Class V Items, 12 January 1970.

(h) 16th MP Gp Regulation 523-1, Officer Efficiency Reports, 15 January 1970.

(i) OPLAN 65-70 (U), Security of Selected Personnel and Equipment (U), 30 January 1970.

(j) OPLAN 2-70 (U), Continuity of Operations (U), 30 January 1970.

CONFIDENTIAL

CONFIDENTIAL

AVBGF

14 February 1970

SUBJECT: Operational Report-Lessons Learned, Headquarters, 16th Military Police Group, Period Ending 31 January 1970, RCS CSFOR-65(R2) (U)

d. Operations:

(1) 16th Military Police Group provided direct combat support to tactical units at four locations during the period. These included a platoon to the Americal Division at Chu Lai; a platoon to Task Force South at Phan Thiet; and approximately two squads to the 173d Airborne Brigade at LZ English and LZ Uplift. The opening of a small detachment at LZ English represented the only change in direct support since the last reporting period.

(2) Convoy escorts increased slightly during the period, despite a reduction in this type of activity in I Corps Tactical Zone. The principal increase occurred in the southern portion of II Corps where the build up around Ban Me Thuot to counter enemy threats in the Bu Prang area increased the number of convoys operating on Highway QL 21 from one a week to more than one a day. At the end of the reporting period, 16th MP Group was preparing to assume new highway commitments on Highway QL 14.

(3) Security of critical installations continued to employ more personnel from this command than any other single function. Only one significant change occurred - the activation on 2 January 1970 of a new unit: the 595th MP Company (SD). Headquartered in Da Nang, this unit, when fully deployed, will provide sentry dog support to I Corps Tactical Zone. In addition, new sentry dog commitments are scheduled for commencement at Qui Nhon and Nha Trang.

(4) A new military police station opened at Phan Rang, and 16th MP Group elements prepared to assume the mission of providing military police support in Da Nang. Preparatory to the latter step, scheduled now for an unspecified time in the spring, two squads of military police were deployed to Da Nang. The active traffic enforcement program continued. Especially worthy of note was the active participation of Vietnamese police agencies, both National and Military Police when sufficient guidance, encouragement and technical assistance was provided by US Military Police.

e. Training: During the reporting period, 16th Military Police Group elements initiated a vigorous counterpart training assistance program with the 2d and 11th QC Battalion. More than 100 Vietnamese military policemen received training in a broad range of military police subjects from instructors provided by 16th MP Group.

f. Intelligence:

(1) Intelligence summaries continued to be received from USARV, XXIV Corps, IFFV, 5th Special Forces Group and 18th Military Police Brigade.

(2) No administrative or security violations occurred during the reporting period.

CONFIDENTIAL

AVBGF

14 February 1970

SUBJECT: Operational Report-Lessons Learned, Headquarters, 16th Military Police Group, Period Ending 31 January 1970, RCS CSFOR-65(R2) (")

- (3) 225 Intelligence Spot Reports were processed.
- (4) 109 Security Actions were processed.
- (5) Intelligence is collected from the following sources:
 - (a) Intelligence Spot Reports from subordinate units.
 - (b) Intelligence summaries from higher headquarters.
 - (c) Local MI units.
 - (d) Vietnamese police agencies.

g. Force Development:

(1) Activation of 595th MP Company (SD) occurred on 2 January 1970. When fully deployed, the unit will support sentry dog operations in I Corps Tactical Zone.

(2) In February, the flag of the 560th MP Company will be assigned to the 93d MP Battalion, to replace the flag of B Company, 504th MP Battalion, which in turn will redeploy to Da Nang. Finally, the 146th MP Platoon will be reassigned to 89th MP Group.

h. Communications: The only significant development during the period was the receipt of 65 commercial Motorola radios (Handie-Talkie FM Radio) to be used by sentry dog handlers to replace the AN/PRC 88 radio. Thus far, the new equipment has been highly effective, although less than 60 days experience has been accumulated.

i. Logistics:

(1) One additional XM 706 Armored Car was retrograded during the period, bringing the total assigned to 25, of 28 authorized. Five additional XM 706's are on hand receipt from 89th MP Group.

(2) During the period, additional M-16 rifles were received, bringing the total to 89% of authorized. M-14 rifles are still in use in some units.

j. Other: None.

2. (U) Lessons Learned: Commander's Observations, Evaluations, and Recommendations:

a. Personnel: None.

CONFIDENTIAL

AVBGF

14 February 1970

SUBJECT: Operational Report-Lessons Learned, Headquarters, 16th Military Police Group, Period Ending 31 January 1970, RCS CSFOR-65(R2) (U)

b. Intelligence. None.

c. Operations.

(1) Commander/Provost Marshal Concept:

(a) OBSERVATION: Operation of the Commander/Area Provost Marshal concept is sometimes complicated by a lack of appreciation and understanding of it by senior commanders, and staff officers.

(b) EVALUATION: The Commander/Provost Marshal concept has been extensively tested in the 16th Military Police Group. Each battalion commander is, in fact, the operating Provost Marshal for his area of responsibility, while the Group Commander is the Provost Marshal, I and II Corps Tactical Zones. The result has been consolidation of operations and a highly effective employment of available resources. The operation has sometimes been complicated by a failure of supported commanders, and their staffs (to include, on occasion, staff Provost Marshals) to understand the techniques and its benefits. This has sometimes been caused by insufficient or inaccurate information, and sometimes by a resistance to change old and established ways. In any event, the result has been occasional unnecessary friction and disagreement.

(c) RECOMMENDATIONS:

1 Incorporation of the Commander/Provost Marshal concept into current US Army doctrine.

2 Appropriate, high-level (War College, CG&S) instruction.

3 Detailed coverage in appropriate military police publications (PMG Bulletions, for example).

(2) Participation by GVN Police Agencies in Traffic Safety and Enforcement Program.

(a) OBSERVATION: GVN police agencies, both national and military police, will actively participate with US military police, in combined traffic safety and enforcement programs.

(b) EVALUATION: One of the principal causes of traffic fatalities among both US and Vietnamese personnel is the higher rate of speed at which many Vietnamese operate their motor vehicles. Largely caused by inexperience on the part of the driver, a contributing factor has frequently been the reluctance of Vietnamese police agencies to take a strong role in enforcing traffic regulations. In the last months of 1969, this command instituted a vigorous traffic enforcement program aimed at reducing speeding violations among US

CONFIDENTIAL

AVBGF

14 February 1970

SUBJECT: Operational Report-Lessons Learned, Headquarters, 16th Military Police Group, Period Ending 31 January 1970, RCS CSFOR-65(R2) (U)

vehicle operators. GVN authorities were invited to participate, to include sharing the use of mirror boxes and radar. When active encouragement and technical assistance was provided, both ARVN military police and GVN National Police participated enthusiastically, in several cases issuing more speeding citations to Vietnamese operators than the US Military Police issued to US drivers for the same period.

(c) RECOMMENDATION: That US Military Police throughout the Republic of Vietnam actively seek to engage counterpart Vietnamese police agencies in aggressive combined traffic safety and enforcement operations.

- d. Organization. None.
- e. Training. None.
- f. Logistics. None.
- g. Communications. None.
- h. Materiel. None.
- i. Other. None.



H. N. ELLIOTT
LTC, MPC
Commanding

1 Incl
Organizational Chart

DISTRIBUTION:

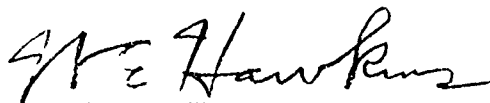
- 2 - USARPAC (GFOF-DT)
- 3 - USARV (AVHCC-DST)
- 4 - 18th MP Bde (AVBGC)

AVBGC-0 (14 Feb 70) 1st Ind
SUBJECT: Operational Report - Lessons Learned, 16th Military Police Group,
Period Ending 31 January 1970, RCS CSFOR-65 (R2) (U)

DA, HEADQUARTERS, 18TH MILITARY POLICE BRIGADE, APO 96491

SEE DISTRIBUTION

1. (U) Basic correspondence has been reviewed and considered adequate as modified below.
2. (U) Reference item concerning commander/provost marshal concept, paragraph 2c(1), page 7: Concur. This has proven to be very effective in Vietnam and should be disseminated through the military educational system. An explanation of the concept of MP support which has been employed with positive results in RVN would be especially valuable to officers attending C&GSC and branch officer advanced courses.
3. (U) Reference item concerning participation of GVN police agencies in traffic safety enforcement, paragraph 2c(2), page 7: Concur. Combined police traffic enforcement operations have been very effective in this command.



W. E. HAWKINS
Colonel, MPC
Deputy Commander

DISTRIBUTION:

2-DA, ATTN: AOSFOR
1-CG, UCAAV, ATTN: AVHGC-DST
1-CO, 16th MP Gp
1-File

AVHGC-DST (14 Feb 70) 2d Ind

SUBJECT: Operational Report-Lessons Learned, Headquarters, 16th Military
Police Group, Period Ending 31 January 1970, RCS CSFOR-65 (R2) (U)

Headquarters, United States Army, Vietnam, APO San Francisco 96375

31 MAR 1970

TO: Commander in Chief, United States Army, Pacific, ATTN: GPOP-DI,
APO 96558

1. This headquarters has reviewed the Operational Report-Lessons Learned for the quarterly period ending 31 January 1970 from Headquarters, 16th Military Police Group and concurs with the comments of indorsing headquarters.

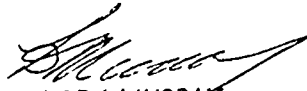
2. Comments follow:

a. Reference item concerning "Commander/Provost Marshal Concept", page 7, paragraph 2c(1); 1st Indorsement, paragraph 2: concur. This concept has proven to be an extremely effective way to manage total military police resources and should be incorporated into Army doctrine and taught in the Army school system. Action by DA is recommended.

b. Reference item concerning "Participation of GVN Police Agencies in Traffic Safety Enforcement", page 7, paragraph 2c(2) and 1st Indorsement, paragraph 3: concur. This headquarters has made combined police operations a matter of priority and encouraged all subordinate commands to actively participate. No action by DA or USARPAC is recommended.

FOR THE COMMANDER:

Cy furn:
18th MP Bde
16th MP Gp


L. D. MURRAY
CPT, AGC
Assistant Adjutant General

GPOP-DT (14 Feb 70) 3d Ind (U)

SUBJECT: Operational Report of HQ, 16th Military Police Group for
Period Ending 31 January 1970, RCS CSFOR-65 (R2) (U)

HQ, US Army, Pacific, APO San Francisco 96558 10 APR 1970

TO: Assistant Chief of Staff for Force Development, Department of the
Army, Washington, D. C. 20310

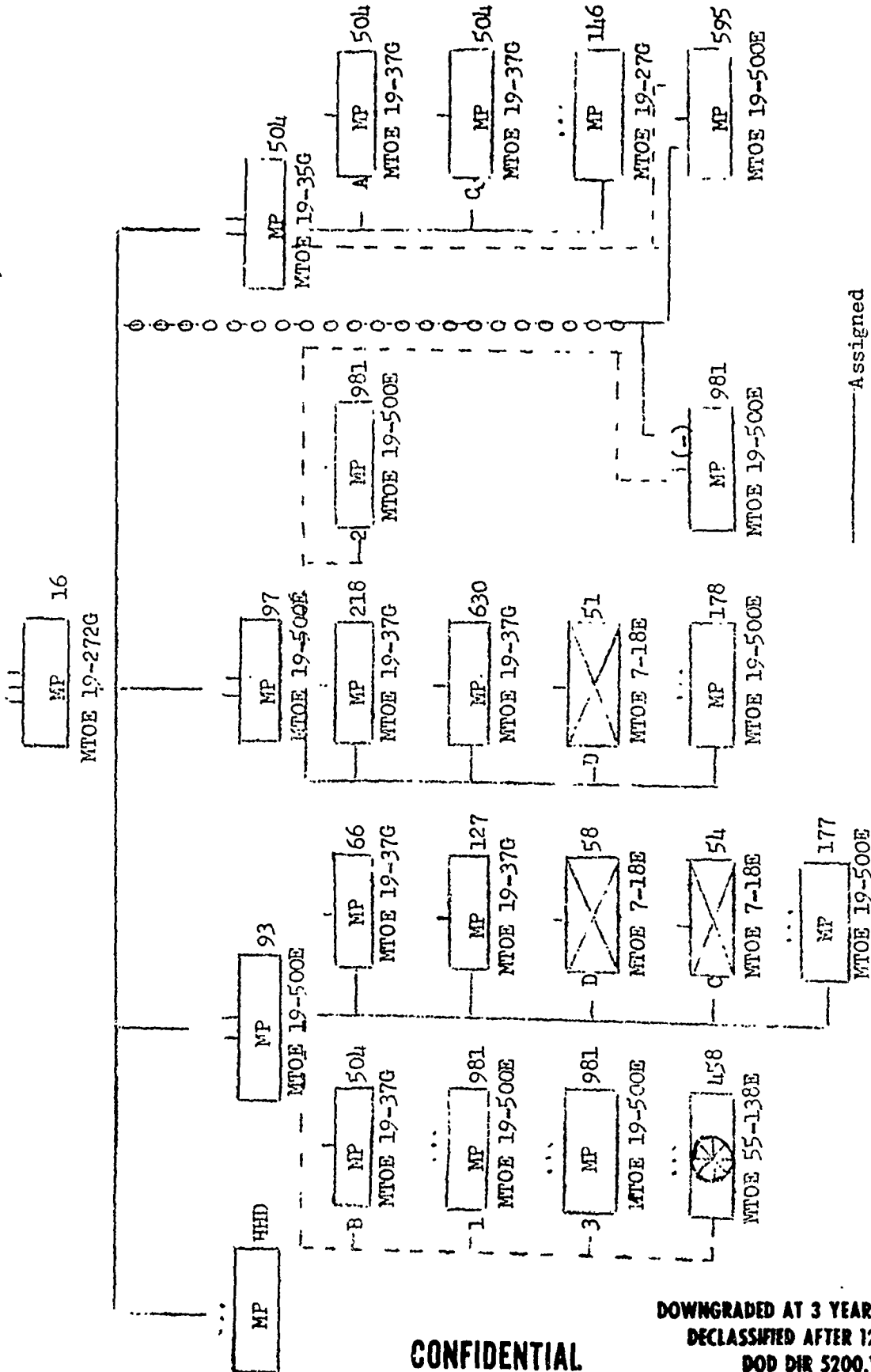
This headquarters concurs in subject report as indorsed.

FOR THE COMMANDER IN CHIEF:



L.M. OZAKI
CPT, AGC
Asst AG

CONFIDENTIAL



_____ Assigned
 - - - - - Attached
 o-o-o-o-o OPCON

CONFIDENTIAL

DOWNGRADED AT 3 YEAR INTERVALS;
 DECLASSIFIED AFTER 12 YEARS.
 DOD DIR 5200.10

~~CONFIDENTIAL~~

UNCLASSIFIED
Security Classification

DOCUMENT CONTROL DATA - R & D		
<i>(Security classification of title, body of abstract and indexing annotation must be entered when the overall report is classified.)</i>		
1. ORIGINATING ACTIVITY (Corporate author) HQ, OACSFOR, DA, Washington, D.C. 20310		2a. REPORT SECURITY CLASSIFICATION CONFIDENTIAL
		2b. GROUP 4
3. REPORT TITLE Operational Report - Lessons Learned, HQ, 16th Military Police Group		
4. DESCRIPTIVE NOTES (Type of report and inclusive dates) Experiences of unit engaged in counterinsurgency operations, 1 Nov 69 to 31 Jan 70.		
5. AUTHOR(S) (First name, middle initial, last name) CO, 16th Military Police Group		
6. REPORT DATE 14 February 1970	7a. TOTAL NO. OF PAGES 15	7b. NO. OF REFS
8a. CONTRACT OR GRANT NO.	8a. ORIGINATOR'S REPORT NUMBER(S) 701250	
b. PROJECT NO N/A		
c.	9b. OTHER REPORT NO(S) (Any other numbers that may be assigned this report)	
d.		
10. DISTRIBUTION STATEMENT		
11. SUPPLEMENTARY NOTES N/A	12. SPONSORING MILITARY ACTIVITY OACSFOR, DA, Washington, D.C. 20310	
13. ABSTRACT		