

UNCLASSIFIED

AD NUMBER:

LIMITATION CHANGES

TO:

FROM:

AUTHORITY

THIS PAGE IS UNCLASSIFIED

FOR OFFICIAL USE ONLY

AD884260

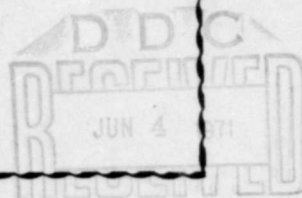
AD884260C



BASIC SYSTEM DESCRIPTION

ANNEX H

ORDER OF BATTLE



**TACTICAL
OPERATIONS SYSTEM**

**UNITED STATES ARMY
COMPUTER SYSTEMS COMMAND**

FORT BELVOIR, VIRGINIA 22060

FOR OFFICIAL USE ONLY

STATEMENT #4 UNCLASSIFIED

Each transmittal of this document outside the Department of Defense must have prior approval of [unclear]

FOR OFFICIAL USE ONLY

15 May 1971

C 1, BSD

ARMY-WIDE TACTICAL OPERATIONS SYSTEM

ANNEX H

FUNCTIONAL AREA DESIGN DESCRIPTION FOR
ORDER OF BATTLE

THIS PROTECTIVE MARKING IS CANCELLED

ON DATE

1 OCT 1973

OCTOBER 1970

FOR OFFICIAL USE ONLY

15 May 1971

C 1, BSD

ABSTRACT

This annex includes the past and present identification, subordination, organization, command, location, strength, and combat effectiveness of enemy units. It also includes essential biographic and descriptive data on associated enemy personnel.

FOREWORD

This document was prepared under the authority of USAMERDC Contract No. DAAK02-68-C-0509 in the fulfillment of Task 30 and was prepared, in draft, by the Bunker-Ramo Corporation for the United States Army Computer Systems Command. The Basic System Description has been reviewed and updated by the United States Army Computer Systems Command.

The intent of this annex to the TOS Basic System Description is to describe the functional design requirements of the Order of Battle TOS application area. The purpose of this document is not to provide "rigid" software design requirements to be used as the basis for developing software design specifications.

FOR OFFICIAL USE ONLY

TABLE OF CONTENTS

	<u>Paragraph</u>	<u>Page</u>
Section I. INTRODUCTION		
Functional Area Objectives-----	1	H-I-1
Overall Objectives-----	1a	H-I-1
Specific Objectives-----	1b	H-I-1
Scope-----	2	H-I-1
References-----	3	H-I-1
II. TECHNICAL DESCRIPTION		
Problem Statement-----	1	H-II-1
Environment-----	2	H-II-1
Organization-----	2a	H-II-1
Operations-----	2b	H-II-1
Interfaces-----	2c	H-II-2
Constraints-----	2d	H-II-2
III. DESIGN CONCEPTS		
Software-----	1	H-III-1
Operation-----	2	H-III-1
General Description-----	2a	H-III-1
Input Messages-----	2b	H-III-2
Output Messages-----	2c	H-III-2
IV. DATA BASE DESCRIPTION		
General-----	1	H-IV-1
Data Base File Description-----	2	H-IV-1
OB Unit Data File-----	2a	H-IV-1
OB Personality Data File-----	2b	H-IV-2
V. INPUT/OUTPUT DESCRIPTION		
Input Messages-----	1	H-V-1
Data Input Messages-----	1a	H-V-1
Query Messages-----	1b	H-V-16
Standing Request for Information Messages-----	1c	H-V-24
Output Message-----	2	H-V-30
Named Area of Interest (AA1, AA2, AA3, AA4)-----	3	H-V-30

FOR OFFICIAL USE ONLY

TABLE OF CONTENTS (Continued)

	<u>Paragraph</u>	<u>Page</u>
VI. TRANSACTION PROCESSING		
Data Input Messages-----	1	H-VI-1
OB Unit Data Input Message - OA1 and OB Unit Data Change Message - OA2-----	1a	H-VJ-1
OB Unit Data Delete Message, OA3-----	1b	H-VI-4
OB Personality Data Input Message - OB1 and OB Personality Data Change Message- OB2-----	1c	H-VI-4
OB Personality Data Delete Message, OB3---	1d	H-VI-6
Query Messages-----	2	H-VI-10
OB Unit Data Query Message, OA4-----	2a	H-VI-10
OB Personality Query Message, OB4-----	2b	H-VI-10
Standing Request for Information Messages-----	3	H-VI-12
OB SRI Establish Message, OA6-----	3a	H-VI-12
OB SRI Change Message, OA7-----	3b	H-VI-12
OB SRI Delete Message, OA8-----	3c	H-VI-12
Processing Tables-----	4	H-VI-14
VII. FUNCTIONAL AREA LOAD DATA		
General-----	1	H-VII-1
Transaction Load Data-----	2	H-VII-1
Data Base Volume-----	3	H-VII-1
Figure H-1. OB Unit Data Record Content-----		H-IV-3
H-2. OB Personality Record Content-----		H-IV-5
H-3. OB Unit Data Input Message (OA1)-----		H-V-2
H-4. OB Unit Data Input Message, OA1, E/V-----		H-V-3
H-5. OB Unit Data Delete Message (OA3)-----		H-V-7
H-6. OB Unit Data Delete Message, OA3, E/V-----		H-V-8
H-7. OB Personality Data Input Message (OB1)-----		H-V-10
H-8. OB Personality Data Input Message, OB1, E/V-----		H-V-11
H-9. OB Personality Data Delete Message (OB3)-----		H-V-14
H-10. OB Personality Data Delete Message, OB3, E/V-----		H-V-15
H-11. OB Unit Data Query Message (OA4)-----		H-V-17
H-12. OB Unit Data Query Message, OA4, E/V-----		H-V-18
H-13. OB Personality Query Message (OB4)-----		H-V-22
H-14. OB Personality Query Message, OB4, E/V-----		H-V-23
H-15. OB Unit SRI Establish/Change Message (OA6 and OA7)-----		H-V-25

15 May 1971

C 1, BSD

TABLE OF CONTENTS (Continued)

	<u>Page</u>
H-16. OB Unit SRI Establish/Change Message, OA6 and OA7, E/V-----	H-V-26
H-17. SRI Delete (OA8)-----	H-V-31
H-18. Query Output Format-----	H-V-32
H-19. OB Personality Response Message-----	H-V-33
H-19A. Named Area of Interest (AA1, AA2, AA3, AA4)-----	H-V-34
H-19B. Named Area of Interest Message E/V-----	H-V-35
H-20. OB Unit Data Input Message Flow (OA1)-----	H-VI-2
H-21. OB Unit Data Change Message Flow (OA2)-----	H-VI-3
H-22. OB Unit Data Delete Message (OA3)-----	H-VI-5
H-23. OB Personality Data Input Message, OB1-----	H-VI-7
H-24. OB Personality Data Change Message, OB2-----	H-VI-8
H-25. OB Personality Data Delete Message, OB3-----	H-VI-9
H-26. OB Unit Data Query Message, OA4-----	H-VI-11
H-27. OB Personality Data Query Message, OB4-----	H-VI-13
H-28. OB Unit SRI Establish Message, OA6-----	H-VI-15
H-28A. SRI Change Message Logic Flow (OA7)-----	H-VI-15A
H-29. SRI Delete Logic Flow (OA8)-----	H-VI-16
H-30. Division Input Transactions-----	H-VII-2
H-31. Division Output Transactions-----	H-VII-3
H-32. Corps Input Transactions-----	H-VII-4
H-33. Corps Output Transactions-----	H-VII-5
H-34. Field Army Input Transactions-----	H-VII-6
H-35. Field Army Output Transactions-----	H-VII-7
H-36. Order of Battle File Size Estimates-----	H-VII-8
TABLE H-1. COUNTRY CODE-----	H-VI-18
H-2. FIELD NAME: UNIT-----	H-VI-19
H-3. FIELD NAME: RANK-----	H-VI-25
H-4. FIELD NAME: POSITION IN UNIT-----	H-VI-26
H-5. FIELD NAME: P-E STATUS-----	H-VI-27
H-6. FIELD NAME: CAT-ECH-----	H-VI-28
H-7. FIELD NAME: DATA-----	H-VI-30
H-8. CIVILIAN EDUCATION-----	H-VI-31
H-9. DISTINGUISHING PHYSICAL CHARACTERISTICS-----	H-VI-32
H-10. HABITS AND TRAITS-----	H-VI-33
H-11. TYPE OF ORGANIZATION-----	H-VI-34
H-12. INTELLIGENCE INTEREST-----	H-VI-35

FOR OFFICIAL USE ONLY

15 May 1971

C. I. BSD

RECORD OF CHANGES

Change Number	Date	Posted By	Date Posted

H-v

FOR OFFICIAL USE ONLY

FOR OFFICIAL USE ONLY
ANNEX H

SECTION 1

INTRODUCTION

1. Functional Area Objectives.

a. Overall Objectives. The objective of this function is to provide intelligence information and finished intelligence on OB to support the intelligence staff and Battlefield Information Control Center (BICC) personnel. Such intelligence/information should enable all appropriate intelligence users to more accurately interpret other intelligence and to produce more meaningful intelligence as a result. Consequently, commanders would have more significant and complete intelligence upon which tactical decisions may be based. The critical information includes the past and present identification, subordination, organization, command, location, strength, tactics, training, logistics and combat effectiveness of enemy conventional, military, paramilitary, and insurgent force units, detailed information of enemy weapons, items of equipment, essential biographic and descriptive data on personnel and other selective data relating to the foregoing.

b. Specific Objectives. The specific objectives of the OB function include the following:

(1) To process, analyze, interpret, and disseminate OB information to other functional areas.

(2) To determine gaps in OB intelligence files and to initiate SRIs for intelligence collection.

(3) To furnish OB intelligence of immediate interest to tactical commanders and their staffs.

(4) To provide OB input to intelligence estimates.

(5) To maintain OB files as a basis for preparation of the INTSUM

(6) To prepare and disseminate OB studies to meet special requirements.

2. Scope. The scope of this initial system description is confined to the Order of Battle functional area operating under the Army TOS concept.

3. References.

a. The Bunker-Ramo Corporation, Feasibility Analysis of Order of Battle Functional Area (U), April 1969

FOR OFFICIAL USE ONLY

b. USACDC Intelligence Agency, FAD for Enemy Situation (ENSIT) (U),
October 1968

c. USACDC Intelligence Agency, FAD for Order of Battle, November 1968

d. FM 30-5, Combat Intelligence, June 1967

H-I-2

FOR OFFICIAL USE ONLY

SECTION II

TECHNICAL DESCRIPTION

1. Problem Statement. There is a requirement to provide Order of Battle information and intelligence to commanders and their staff for support of their decision making relative to current and future operations. The Order of Battle functional area should serve this need via the G2/S2 staff element at the headquarters of maneuver battalions, brigade, division, corps, and Field Army. There is also a requirement to serve other elements of a Field Army via information and intelligence distribution from the Order of Battle functional area.

2. Environment.

a. Organization. The general organizational environment in which the Order of Battle function will operate is the Field Army of two corps shown in Annex A. The principal organizational elements engaged in operations involving OB intelligence are the battalion, brigade, division, corps and Army headquarters. Within these headquarters the commander and his staff are concerned with the OB intelligence produced, however, the G2/S2 on the staff is responsible for the production of OB intelligence. This function is normally delegated to an OB analyst in the G2 Production Branch at Army or the analysis and production section of the BICC at corps and division. At brigade and battalion the function is performed informally by personnel in the BICC.

b. Operations. The staff element primarily concerned with operations involving the Order of Battle functional area at either battalion, brigade, division, corps, or army is the G2/S2 as appropriate.

(1) Battalion and Brigade. The Order of Battle function is accomplished at the battalion and brigade (either a division brigade or a separate brigade) by an analyst within the BICC. It is most likely at these echelons that the responsibility for the OB intelligence function will be an additional duty assigned an individual with other intelligence functional area responsibilities. OB analysis at these echelons will be quite limited in scope and degree due to the emphasis on the most immediate tactical requirements in other functional areas - primarily ENSIT.

(2) Division and Corps. The OB intelligence function is accomplished at division and corps primarily by the OB analyst in the Analysis and Production element of the BICC. OB analysis at division will serve brigade and battalion needs in addition to those of the division staff.

(3) Army. The OB intelligence function is accomplished at Field Army by the OB analyst within the G2 Production Branch. This task includes

FOR OFFICIAL USE ONLY

preparing draft inputs to the INTSUM, Intelligence Estimates, and the Intelligence Annex to the operations order. OB studies and special studies as required are prepared by the OB analyst.

c. Interfaces.

(1) Organizational. Interfaces exist between each major command from maneuver battalion through army in the interchange of Order of Battle data.

(2) Functional. The Order of Battle functional area interfaces primarily with the ENSIT functional area both for the acquisition of information from ENSIT and, in turn, the provision of OB Intelligence to ENSIT. Other functional areas, as required may have access to the OB files on a query basis and vice versa.

d. Constraints. The G2 at Field Army, corps, and division must recognize with respect to the management of automated intelligence files that subordinate commanders have an equal or near equal interest in what is, in effect, shared data bases.

H-II-2

FOR OFFICIAL USE ONLY

FOR OFFICIAL USE ONLY

SECTION III

DESIGN CONCEPTS

1. Software. The processing of OB information will primarily require the use of the Basic Process (BP) and common processes. There are no Area Processes (AP) unique to the Order of Battle intelligence functional area. All of the BPs are used in the processing of Order of Battle intelligence functional area messages. The Edit and Validation (E/V) process converts the data in the input message into internal tags and values and validates the contents of the input message. The E/V process also establishes the message processing sequence after successful validation. In the event that there are errors detected in the input message, the E/V process initiates error notification to the message originator. The File Maintenance (FM) process accomplishes the maintenance of the OB unit data file and the OB personality file including such transactions as adding new records to the file, updating existing records, and deleting existing records. The Data Retrieval (DR) process is utilized to retrieve data from the OB files based upon specified retrieval criteria contained in an OB query message. The Data Access Control (DAC) process controls the dissemination of OB data output to users. The Standing Request for Information (SRI) process for OB is used to establish new SRIs, change existing SRIs in the file, delete SRIs from the file, compare incoming OB data input messages to the criteria of the SRIs on file and pass data messages satisfying these criteria to the Output Message Formatting (OMF) process.

2. Operation.

a. General Description.

(1) The automated Order of Battle function is designed to provide intelligence staffs at all echelons from battalion through Field Army with needed order of battle information and intelligence. The OB analyst in the BICC and in the G2 section of Field Army use the automated order of battle data base to store data required by the G2/S2 to support tactical operations and intelligence planning. The brigade and battalion requirements for OB are met by OB analysis at the division level. Processing of OB information is primarily concerned with the information, storage, retrieval, analysis, and dissemination to meet the needs of the intelligence staffs. In the general operation of the system in the Field Army, the exchange of OB information between echelons is essential. The automated system provides a capability for the dissemination exchange of data between echelons by use of routing of input data messages and query messages. Additionally, while all of the intelligence functions may provide some input directly or indirectly to the OB analyst, the preponderance of data input will be derived through the ENSIT functional area.

H-III-1

FOR OFFICIAL USE ONLY

FOR OFFICIAL USE ONLY

(2) OB analyst at division, corps, or Field Army obtains raw data to meet his needs by using the ENSIT SRI to establish his requirements and initiate a collection effort. He makes liberal use of the ENSIT query message to obtain data from the ENSIT files. The OB analyst reviews and analyzes this raw information and enters the resulting OB intelligence into the OB data base using OB input format. The OB data base is accessible to all TOS users, but the data are of most significance to intelligence staff elements at all echelons. Coordination between the OB analyst and other production analysts (ENSIT) is particularly close. The ENSIT file manager must consider the OB analyst's needs in purging ENSIT files. The OB analyst must promptly delete his ENSIT SRI and indicate discontinuance of his interest in specific ENSIT data so as to preclude unnecessary storage of data in the ENSIT data base.

b. Input Messages.

(1) OB Unit Data File. A record in the OB Unit Data file is established by the OB analyst using the OB unit data input message, OA1. Records existing in the OB unit data file are changed by use of the OB unit data change message, OA2. Data is deleted from the OB unit data file by use of the OB unit data delete message, OA3. The record for a single unit or a group of units may be deleted from the OB unit data file depending on the criteria contained in the OA3 message. Data may be retrieved from the OB unit data file by use of the OB unit data query message, OA4. The data retrieved will depend upon the retrieval criteria contained in the OA4 message. The system also provides for the utilization of an OB unit data (SRI) establish message, OA6, which can optionally accomplish the following: output records existing in the file which meet the criteria specified in the SRI when the query option is used; and by designating recipients in the SRI, accomplish dissemination of input messages to these recipients. The SRI may be changed by the OB unit data SRI change message, OA7, by entering the SRI number and changing the data field involved. An SRI may be deleted from the SRI file by the input of an SRI Delete Message (OA8).

(2) OB Personality File. A record in the OB personality file may be established by the OB analyst using the OB personality data input message, OB1. Records existing in the OB personality file may be changed by use of the OB personality data change message, OB2. Data is deleted from the OB personality file by use of the OB personality data delete message, OB3. Data may be retrieved from the OB personality file by use of the OB personality query message, OB4. A single record or group of records may be retrieved from the file depending on the retrieval criteria specified in the OB4 message.

c. Output Messages. Query response messages and SRI response messages are output in response to systems users input of OB unit data query messages, OA4; OB unit data SRI establish message, OA6; and OB personality data query message, OB4.

SECTION IV

DATA BASE DESCRIPTION

1. General. The automated data base for the Order of Battle functional area consists of two files; the OB unit data file and the OB personality file. Other manual data continues, however, to be available to the OB analysts, e.g., in the type of installation data, and hard copies of various intelligence type documents and reports. While the size of the automated file will vary in the number of records in the file depending on the echelon, division through army, the individual record layout is the same at each echelon.

2. Data Base File Description.

a. OB Unit Data File.

(1) Purpose. The purpose of this file is to enable the OB analyst to keep the intelligence staffs informed as to the identity, location, strength and combat effectiveness of enemy units, and also provide data for input to the INTSUM, intelligence estimate and the intelligence annex to the OPORD.

(2) File Description. The OB unit data file contains selected data pertaining to enemy units. This data includes the unit identification, descriptive data, commander, location, strength, and combat effectiveness of the enemy units.

(3) File Accesses. The order of battle unit data file is accessed by six different messages. There is one message used to establish a record in the file and another used to change the data in an established record. Another message is used optionally to delete one record from the file or a group of records depending upon the deletion criteria in the message. There is also a query message utilized to retrieve specific data from the file if such data exist. Furthermore, there is a standing request for information (SRI) message which may be optionally used to retrieve specified data existing in the file on a one time basis, and then remain as an open request for incoming data to the file meeting retrieval criteria in the SRI. There is a final message which accesses the file to change an existing SRI. Additionally, the OB analysis will make frequent use of the ENSIT SRIs to acquire information on enemy units.

(4) File Record Contents. As indicated in the subparagraph file description, the OB unit data file contains structured records with specified descriptive data concerning enemy units. A provision is also made for inclusion of free text information if this is necessary. The data in-

cluded in an OB unit data file record is shown in Figure H-1.

(5) File Purge Requirements. The order of battle analyst based on the needs of intelligence staffs can automatically add or delete data from the OB unit data file through the use of input messages. The file may, therefore, be kept up-to-date on a continuing basis.

b. OB Personality Data File.

(1) Purpose. The purpose of the OB personality data file is to enable the OB analyst to keep the intelligence staffs informed as to identity, assignment, and background of key personnel holding command and staff assignments in enemy units. Another purpose is to provide the OB analyst with information needed for preparation of inputs to the INTSUM, intelligence estimate, and the intelligence annex to the OPORD.

(2) File Description. This file contains records on select enemy personnel indicating their nationality, name, rank, current assignment, place of birth, date of birth, position in the unit to which assigned, and additional background data.

(3) File Accesses. The OB personality file is accessed by four different messages. The OB personality data input message, OB1, is used to create a new record in the OB personality file. The OB personality data change message, OB2, is used to change the data in an existing record. The OB personality data delete message, OB3, is used to delete a single record or a group of records from the file depending on the deletion criteria specified in the message. Data may be retrieved from the order of battle personality file by the query message, OB4. The data retrieved is contingent upon the retrieval criteria specified in the query message.

(4) File Record Contents. As indicated in the file description subparagraph, the OB personality data file contains structured records with specified descriptive data pertaining to enemy personalities occupying key command and staff positions in enemy units. A provision is also made for the inclusion of free text information if this is necessary. The data included in the OB personality data record are shown in Figure H-2.

(5) File Purge Requirements. The order of battle analyst, based on the needs of the intelligence staffs, can automatically add or delete data from the OB personality data file through the use of input messages. The file may, therefore, be kept up-to-date on a continuing basis.

<u>DATA USE IDENTIFIER</u>	<u>MODE</u>	<u>MAX CHAR</u>
ORIGINATOR	BCD	9
SECURITY CLASSIFICATION	BCD	3
RESTRICTIONS	BCD	6
NATIONALITY	BCD	2
UNIT DESIGNATION	BCD	6
UNIT TYPE	BCD	6
UNIT CATEGORY	BCD	6
UNIT ECHELON	BCD	6
CODE NAME	BCD	12
NICKNAME	BCD	12
FIELD POSTAL NUMBER	BCD	9
COMBAT EFFECTIVENESS	BIN	3
COMBAT EFFECTIVENESS-AS-OF-DATE	BCD	12
PARENT NATIONALITY	BCD	2
PARENT DESIGNATION	BCD	6
PARENT TYPE	BCD	6
PARENT CATEGORY	BCD	6
PARENT ECHELON	BCD	6
COMMANDER	BCD	35
COMMANDER AS-OF-DATE	BCD	12
LOCATION	BCD	70
LOCATION AS-OF-DATE	BCD	12
PERSONNEL, AUTHORIZED	BIN	6
PERSONNEL, LOSSES	BIN	5
PERSONNEL, REPLACEMENTS	BIN	5
PERSONNEL, EFFECTIVENESS	BIN	3
PERSONNEL, AS-OF-DATE	BCD	12
ARMOR, AUTHORIZED	BIN	5
ARMOR, LOSSES	BIN	5
ARMOR, REPLACEMENTS	BIN	5
ARMOR, EFFECTIVENESS	BIN	3
ARMOR, AS-OF-DATE	BCD	12
ARTILLERY, AUTHORIZED	BIN	5
ARTILLERY, LOSSES	BIN	5
ARTILLERY, REPLACEMENTS	BIN	5
ARTILLERY, EFFECTIVENESS	BIN	3
ARTILLERY, AS-OF-DATE	BCD	12
AIR VEH, AUTHORIZED	BIN	5
AIR VEH, LOSSES	BIN	5
AIR VEH, REPLACEMENTS	BIN	5
AIR VEH, EFFECTIVENESS	BIN	3
AIR VEH, AS-OF-DATE	BCD	12
GEN VEH, AUTHORIZED	BIN	5
GEN VEH, LOSSES	BIN	5

Figure H-1. OB Unit Data Record Content

(1 of 2)

<u>DATA USE IDENTIFIER</u>	<u>MODE</u>	<u>MAX CHAR</u>
GEN VEH, REPLACEMENTS	BIN	5
GEN VEH, EFFECTIVENESS	BIN	3
GEN VEH, AS-OF-DATE	BCD	12
NAMED AREA OF INTEREST		15
POSITION		110
REMARKS	BCD	163

Figure H-1. OB Unit Data Record Content

(2 of 2)

<u>DATA USE IDENTIFIER</u>	<u>MODE</u>	<u>MAX CHAR</u>
ORIGINATOR	BCD	9
SECURITY CLASSIFICATION	BCD	3
RESTRICTIONS	BCD	6
PERSONALITY	BIN	5
NATIONALITY	BCD	2
RANK	BCD	6
LAST NAME	BCD	17
FIRST NAME	BCD	11
MIDDLE INITIAL	BCD	1
ALIAS	BCD	17
PLACE OF BIRTH	BCD	12
DATE OF BIRTH	BCD	12
CURRENT ASSIGNMENT	BCD	26
POSITION IN UNIT	BCD	3
CIVILIAN EDUCATION	BCD	2
MILITARY EDUCATION	BCD	2
PHYSICAL PECULIARITIES	BCD	2
CHARACTER TRAITS	BCD	2
POLITICAL AFFILIATION	BCD	1
INTELLIGENCE INTEREST	BCD	2
REMARKS	BCD	200

Figure H-2. OB Personality Record Content (1 of 1)

H-IV-5

FOR OFFICIAL USE ONLY

SECTION V

INPUT/OUTPUT DESCRIPTION

1. Input Messages. There are ten input messages to the Order of Battle functional area. The messages provide a capability for establishing, changing, deleting, and querying records in the Order of Battle data base. These input messages are classified into one of three categories; data input messages, query messages, and SRI messages. The six data input messages provide a capability for adding, changing, or deleting data in the OB Unit and OB Personality Data files. The two data query messages provide a capability for retrieving data from these files. The two SRI messages provide a capability for establishing or changing an SRI.

a. Data Input Messages.

(1) OB Unit Data File. The three data input messages which are used to add, change, or delete data from the OB Unit Data file are each described in detail below.

(a) OB Unit Data Input Message - OA1. The OB Unit Data Input Message is used to establish a new record in the OB Unit Data file. The structure and format of the OA1 message are shown in Figure H-3. The E/V table used in processing this message is shown in Figure H-4. The entries in the "Member of Set" column in Figure H-4 are defined in Section VI of this annex. Each field name contained in the message format (Figure H-3) is defined below.

1 Message Originator (ORIGIN). See Annex A. The message originator will be limited to OB analyst at division, corps, and Field Army.

2 Security Classification (SCTY). See Annex A.

3 Restrictions (RESTR). See Annex A.

4 Precedence (PREC). See Annex A.

5 Nationality (NAT). This is an optional entry indicating, when known, the nationality (country) of enemy unit concerned. It consists of a two character code defined in Table H-1, Country Code as shown in Section VI.

6 Unit Identification (UNIT). This is an optional entry. It identifies an enemy unit by designation, type, branch, and echelon. When the UNIT data set is used, the designation and echelon data use identifiers are mandatory. Each enemy unit has a unique identification. Each

FOR OFFICIAL USE ONLY

OA1

OB UNIT DATA INPUT MESSAGE

	<u>MAX CHAR</u>
ORIGIN	9
SCTY	3
RESTR	6
PREC	1
NATIONALITY	2
UNIT	24
CODE NAME	12
NICKNAME	12
FIELD POSTAL NO	9
COMBAT EFFECTIVENESS	3
COMBAT EFFECTIVENESS AS-OF-DATE	12
PARENT	26
COMMANDER	35
COMMANDER AS-OF-DATE	12
LOCATION	10
LOCATION AS-OF-DATE	12
PERSONNEL	31
ARMOR	30
ARTILLERY	30
AIR VEHICLES	30
GENERAL VEHICLES	30
REMARKS	163

Figure H-3. OB Unit Data Input Message, OA1

(1 of 1)

H-V-2

FOR OFFICIAL USE ONLY

Field Name	Tag	M/ No. of Chars	Format of Data Code	Validation Requirements				Comments
				Member of Set	Numeric Range	Special Process	Storage Tag	
1 ORIGINATOR OF MESSAGE	ORI-M	9	(9)E	SEE NOTE				SEE ANNEX A.
2 SECURITY CLASSIFICATION	SCTY-M	3	(3)A	SEE NOTE				SEE ANNEX A.
3 RESTRICTION TR	RES-M	6	(6)A	SEE NOTE				SEE ANNEX A.
4 PRECEDENCE	PREC-M	1	(1)N					
5 NATIONALITY	NAT-O	2	(2)A	Tb1				
6 UNIT IDENTIFICATION	UNIT-O	24	(6)E/(6)A/(6)A/(6)A	Tb1				
7 CODE NAME	CN-O	12	(12)E					
8 NICKNAME	NM-O	12	(12)E					
9 FIELD POSTAL NO	FPN-O	9	(9)E					
10 COMBAT TIVENESS	COMB-EFF	3	(3)N				(0,100)	
11 COMBAT TIVENESS DATE	COMB-EFF-DATE	12	(12)E					
12 PARENT ENT	PAR-O	26	(2)A/(6)E/(6)A/(6)A/(6)A	Tb1				
13 UNIT COMMANDER	COMDR-O	35	(6)A/(27)A/(11)A	Tb1				"PARENT" IS DESIGNATED THE SAME WAY AS "UNIT" EXCEPT THAT NATIONALITY IS ADDED. RANK, LAST NAME, FIRST NAME, MI.

Figure H-4. OB Unit Data Input Message, OAL, E/V Requirements

Reference	Field Name	Tag	M/ No. of Chs.	Format of Data Code	Validation Requirements				Comments
					Member Number of Set	Numeric Range	Special Precede	Storage Related Element Tag	
14	UNIT COMMANDER DATE OF INFORMATION	CO- DOI	0 12	(12)E					
15	LOCATION OF UNIT	LOC	0 10	(2)A (8)N					
16	LOCATION DATE OF INFORMATION	LODI	0 12	(12)E					
17	PERSONNEL	PERS	0 31	(31)N					
18	ARMOR	AR- MOR	0 30	(30)N					
19	ARTILLERY	ARTY	0 30	(30)N					
20	AIR VEHICLES	AIR- VEH	0 30	(30)N					
21	GENERAL VEHICLES	GEN- VEH	0 30	(30)N					
22	REMARKS	RMKS	0 163	FREE TEXT					

Figure H-4. OB Unit Data Input Message, OAL, E/V Requirements

FOR OFFICIAL USE ONLY

data input message must use at least one of the UNIT, CODE NAME, or NICKNAME entries. The tables for validation of TYPE, BRANCH, and ECHELON are given in Section VI.

7 Unit Code Name (CN). This is an optional entry and consists of the code name of the unit reported on. The unit must be identified by at least one of the three possible identifiers, i.e., Unit Identification, Code Name, or Nickname.

8 Unit Nickname (NN). This is an optional entry indicating the nickname of the unit reported on. If the unit is not otherwise identified, the unit may be identified by this nickname alone.

9 Field Postal Number (FPN). This is an optional entry. Nine characters maximum are allowed; they will be alphabetic or numeric. It indicates the military address code assigned to the unit.

10 Combat Effectiveness (COMBAT-EFF). This is an optional entry. Three numerics are allowed which express a percentage of effectiveness.

11 Date of Combat Effectiveness Information (CED). This entry gives the date of combat effectiveness information.

12 Unit Parent (PARENT). This entry is optional. The parent unit echelon must never be lower than the unit echelon, and, if the unit echelon is below division, the parent unit must be included.

13 Unit Commander (COMMANDER). This entry is optional. The data use identifiers are rank, last name, first name, and middle initial.

14 Commander Date of Information (CODOI). This is an optional entry. It provides the most recent date that the current commander of the unit was identified.

15 Location of Enemy Unit (LOCATION). This is an optional entry. The allowable entry is a military grid coordinate.

16 Location Date of Information (LDOI). This entry is optional and the most current date of the Location entry.

17 Remarks. This is a free text entry containing additional data that the OB analyst desires in the record that does not apply to the structured portions of the data input message and the record.

(b) OB Unit Data Change Message - OA2. The OB Unit Data Change

H-V-5

FOR OFFICIAL USE ONLY

FOR OFFICIAL USE ONLY

Message is used to change data in a record in the OB unit data file. The structure and format of the CA2 message are the same as OA1.

(c) OB Unit Data Delete Message - OA3. This OB Data Delete Message is used to delete a record or group of records from the OB Unit Data File. The structure and format of the OA3 message are shown in Figure H-5. The E/V table used in processing this message is shown in Figure H-6. The entries in the "Member of Set" column in Figure H-6 are defined in Section VI of this annex. Each field name contained in the message format (Figure H-5) is defined below.

1 Message Originator (ORIGIN). See Annex A. The message originator will be limited to the OB analysts at division, corps, and Field Army.

2 Security Classification (SCTY). See Annex A.

3 Restrictions (RESTR). See Annex A.

4 Precedence (PREC). See Annex A.

5 Nationality (NAT). This entry contains the two character code of the nationality of the Unit (s) record (s) being deleted from the file.

6 Unit Identification (UNIT). This entry identifies an enemy unit or class of enemy units whose records are to be deleted from the file. Enemy units are identified by designation, type, branch, and echelon. A particular enemy unit has a unique identification and, if it is specified in this field, only the record for that unique unit will be deleted. Sets of records may be deleted by leaving designation, type, branch, or echelon blank. In this case, all records satisfying the remaining criteria will be deleted. For example, the entry:

UNIT/ /MTZ/ / ;

will result in the deletion of all motorized units from the Country file specified.

7 Unit Code Name (CN). The entry of a unit code name in this field will result in the deletion of the record containing that code name.

8 Unit Nickname (NN). The entry of a unit nickname in this field will result in the deletion of the record containing that nickname.

FOR OFFICIAL USE ONLY

OA3

OB UNIT DATA DELETE MESSAGE

	<u>MAX CHAR</u>
ORIGIN	9
SCTY	3
RESTR	6
PREC	1
NATIONALITY	2
UNIT	24
CODE NAME	12
NICKNAME	12

Figure H-5. OB Unit Data Delete Message, OA3

(1 of 1)

H-V-7

FOR OFFICIAL USE ONLY

Field Name	Tag	M/ O	No. Characters	Format of Data Code	Member Number of Set	Special Process	Storage Tag	Validation Requirements	
								Related Element Conditions	Comments
1 ORIGINATOR OF MESSAGE	ORI-	M	9	9(E)	SEE NOTE			SEE ANNEX A.	
2 SECURITY CLASSIFICATION	SCTY	M	3	(3)A	SEE NOTE			SEE ANNEX A.	
3 RESTRICTIONS	RES-	M	6	(6)A	SEE NOTE			SEE ANNEX A.	
4 PRECEDENCE	PREC	M	1	(1)N	SEE NOTE			SEE ANNEX A.	
5 NATIONALITY	NAT	0	2	(2)A	Tb1				
6 UNIT IDENTIFICATION	UNIT	0	24	(6)E/(6)A/ (6)A/(6)A	Tb1 1 Tb1 2				IF THIS ENTRY UNIQUELY IDENTIFIES A UNIT, ENTRIES SEQUENCE NUMBERS 7 AND 8 SHOULD BE COMPLETED IF KNOWN. IF ENTRY 6 IS DELETING A SET OF RECORDS, ENTRIES 7 AND 8 MUST BE BLANK.
7 CODE NAME	CN	0	12	(12)E					
8 NICKNAME	NN	0	12	(12)E					

Figure H-6. OB Unit Data Delete Message, OA3, E/V Requirements

(2) OB Personality File.

(a) OB Personality Data Input Message - OBI. The OB Personality Data Input Message is used to establish a new record in the OB Personality file. The structure and format of the OBI message are shown in Figure H-7. The E/V table used in processing this message is shown in Figure H-8. The entries in the "Member of Set" column in Figure H-8 are defined in Section VI of this annex. Each field name contained in the message format (Figure H-7) is defined below.

1 Message Originator (ORIGIN). See Annex A.

2 Security Classification (SCTY). See Annex A.

3 Restrictions (RESTR). See Annex A.

4 Precedence (PREC). See Annex A.

5 Nationality (NAT). This entry identifies the nationality of the personality for whom the record is being established. The table of countries is shown in Section VI.

6 Military Rank (RANK). This entry contains the military rank of the individual for whom a record is being established.

7 Last Name (LN). This entry contains the last name of the individual for whom a record is being established.

8 First Name (FN). This entry contains the first name of the individual for whom a record is being established.

9 Middle Initial (MI). This entry contains the middle initial, if any, of the individual for whom a record is being established.

10 Alias. This entry contains the alias, if any, of the individual for whom a record is being established.

11 Place of Birth (POB). This entry contains the country of birth of the individual for whom a record is being established.

12 Date of Birth (DOB). This entry contains the date of birth of the individual for whom a record is being established.

13 Current Assignment (C-A). This entry contains an identification of the current assignment of the individual for whom a record is being established. It identifies nationality, designation, type, branch, and echelon of the unit.

FOR OFFICIAL USE ONLY

OB1

OB PERSONALITY DATA INPUT MESSAGE

	<u>MAX CHAR</u>
ORIGIN	9
SCTY	3
RESTR	6
PREC	1
NATIONALITY	2
RANK	6
LAST NAME	17
FIRST NAME	11
MIDDLE INITIAL	1
PERSONALITY	1
ALIAS	17
PLACE OF BIRTH	12
DATE OF BIRTH	12
CURRENT ASSIGNMENT	26
CIVILIAN EDUCATION	2
MILITARY EDUCATION	2
CHARACTER TRAITS	2
POLITICAL AFFILIATION	1
INTELLIGENCE INTEREST	2
POSITION IN UNIT	3
PHYSICAL CHARACTERISTICS	2
REMARKS	200

Figure H-7. OB Personality Data Input Message
OB1

(1 of 1)

H-V-10

FOR OFFICIAL USE ONLY

Field Name	Tag	M/No. Char	Format of Data Code	Member of Set	Numeric Range	Special Process	Storage Tag	Validation Requirements	
								Related Element Conditions	Comments
1 ORIGINATOR OF MESSAGE	ORI- GIN	M 9	(9)E						SEE ANNEX A.
2 SECURITY CLASSIFICATION	SCTY CATION	M 3 A							SEE ANNEX A.
3 RESTRICTIONS	RES- TR	M 6 A							
4 PRECEDENCE	PREC	M 1 N							
5 NATIONALITY	NAT	0 2	(2)A					Tbl 1	
6 RANK	RANK	0 6	(6)A					Tbl 3	
7 LAST NAME	LN	0 17	(17)A						
8 FIRST NAME	FN	0 11	(11)A						
9 MIDDLE INITIAL	MI	0 1	A						
10 ALIAS	AL- IAS	0 17	(17)A						
11 PLACE OF BIRTH	POB	0 2	(2)A						Tbl 1
12 DATE OF BIRTH	DOB	0 12	(12)E						
13 CURRENT ASSIGNMENT	ASSI-C-A	0 26	(2)A/(6)E/ (6)A/(6)A/ (6)A						Tbls 1,2

NATIONALITY AND UNIT.

Figure H-8. OB Personality Data Input Message, OB1, E/V Requirements

Field Name	Tag	M/ O	No. Cha	Format of Data Code	Validation Requirements				Comments
					Member of Set	Numeric Range	Special Process	Storage Tag	
14 POSITION IN UNIT	PINU	0	3	(3)E	Tb1				
15 CIVILIAN EDUCATION	C-E	0	2	(2)A	Tb1				
16 MILITARY EDUCATION	M-E	0	2	(2)A	8				
17 CHARACTER TRAITS	C-T	0	2	(2)A	Tb1				
18 POLITICAL AFFILIATION	POL-AFF	0	2	(2)E	10				
19 INTELLIGENCE	INT	0	2	(2)A	Tb1				
20 PHYSICAL CHARACTERISTICS	PHY-CHAR	0	2	(2)A	11				
21 PERSONALITY	PER	0	1	(1)N	Tb1				
22 REMARKS	RMKS)	200	FREE TEXT	12				
					9				

Figure H-8. OB Personality Data Input Message, OB1, E/V Requirements (2 of 2)

FOR OFFICIAL USE ONLY

14 Position in Unit (PINU). This entry shows the position assignment within the unit to which the individual is currently assigned.

15 Civilian Education (C-E). This entry indicates the civilian education, if known, of the individual for whom the record is being established.

16 Military Education (M-E). This entry indicates the military education, if known, of the individual for whom the record is being established.

17 Character Traits (C-T). This entry identifies the predominant character traits of the individual for whom the record is being established. Reference for these traits is shown in Section VI.

18 Political Affiliation (POL-AFF). This entry shows the political affiliation, if known, of the personality for whom the record is being established.

19 Intelligence Interest (INT). This entry indicates the interest of intelligence personnel in the personality for whom the record is being established. The list of intelligence interest identifiers is shown in Section VI.

20 Physical Characteristics (PHY-CHAR). This entry contains an identification of a unique physical characteristic of the individual for whom the record is being established.

21 Remarks. This entry contains free text remarks which the OB analyst may wish to enter in the individuals record.

(b) OB Personality Data Change Message - OB2. The OB Personality Change Message is used to change a record in the OB Personality file. The structure and format of the OB2 message are the same as OB1.

(c) OB Personality Data Delete Message - OB3. The OB Personality Data Delete Message is used to delete a record in the OB Personality Data file. Use of this message is limited to OB analyst at division, corps, and Field Army. The structure and format of the OB3 message are shown in Figure H-9. The E/V table used in processing this message is shown in Figure H-10. The entries in the "Member of Set" column in Figure H-10 are defined in Section VI of this annex. Each field name contained in the message format (Figure H-9) is defined below.

1 Message Originator (ORIGIN). See Annex A.

OB3

OB PERSONALITY DATA DELETE MESSAGE

	<u>MAX CHAR</u>
ORIGIN	9
SCTY	3
RESTR	6
PREC	1
PERSONALITY	5
NATIONALITY	2
LAST NAME	17
FIRST NAME	11
MIDDLE INITIAL	1
CURRENT ASSIGNMENT	26

Figure H-9. OB Personality Data Delete Message
OB3

(1 of 1)

H-V-14

Sequence	Field Name	Tag	M/ No. Char	Format of Data Code	Validation Requirements				Comments
					Member Number of Set	Special Process	Storage Tag	Related Element Conditions	
1	ORIGINATOR OF MESSAGE	ORI-M	9	(9)E					SEE ANNEX A.
2	SECURITY CLASSIFICATION	SCTY-M	3	A					SEE ANNEX A.
3	RESTRICTIONS	RES-M	6	A					SEE ANNEX A.
4	PRECEDENCE	PREC-M	1	N					
5	NATIONALITY	NAT-M	2	(2)A					
6	LAST NAME	LN	M	17 (17)A					
7	FIRST NAME	FN	O	11 (11)A					
8	MIDDLE INITIAL	MI	O	1 A					
9	CURRENT ASSIGNMENT	C-A	O	26 (26)E					

Tbl
1

Figure H-10. OB Personality Data Delete Message; OB3, E/Y Requirements.

2 Security Classification (SCTY). See Annex A.

3 Restrictions (RESTR). See Annex A.

4 Precedence (PREC). See Annex A.

5 Nationality (NAT). This is a mandatory entry indicating the nationality of the individual whose record is being deleted.

6 Last Name (LN). This is a mandatory entry indicating the last name of the individual whose record is being deleted.

7 First Name (FN). This is an optional entry, if available, indicating the first name of the individual whose record is being deleted.

8 Middle Initial (MI). This is an optional entry, if available, indicating the middle initial of the individual whose record is being deleted.

9 Current Assignment (C-A). This is an optional entry which permits designation of a unit, thus causing the personality records of all personnel assigned to that unit to be deleted.

b. Query Messages.

(1) OB Unit Data File. There is one query message used to retrieve data from the OB Unit Data file. This message is described in detail below.

(a) OB Unit Data Query Message - OA4. The Data Query Message is used to query the OB Unit Data file. The structure and format of the OA4 message are shown in Figure H-11. The E/V table used in processing this message is shown in Figure H-12. The entries in the "Member of Set" column in Figure H-12 are defined in Section VI of this annex. Each field name contained in the message format (Figure H-11) is defined below.

1 Message Originator (ORIGIN). See Annex A.

2 Security Classification (SCTY). See Annex A.

3 Restrictions (RESTR). See Annex A.

4 Precedence (PREC). See Annex A.

5 Subject of Query (SUB). This entry identifies the

FOR OFFICIAL USE ONLY

OA4

OB UNIT DATA QUERY MESSAGE

	<u>MAX CHAR</u>
ORIGIN	9
SCTY	3
RESTR	6
PREC	1
SUBJECT	4
NATIONALITY	2
UNIT	24
CODE NAME	12
NICKNAME	12
PARENT	26
LOCATION	70
CATEGORY-ECHELON	14
P-E STATUS 1	18
P-E STATUS 2	18
DATA	35

Figure H-11. OB Unit Data Query Message, OA4

(1 of 1)

H-V-17

FOR OFFICIAL USE ONLY

Field Name	Tag	M/No. Char	Format of Data Code	Validation Requirements				Comments
				Member of Set	Numeric Range	Special Process	Storage Tag	
1 ORIGINATOR OF MESSAGE	ORI- GIN	M 9	(9)E					SEE ANNEX A.
2 SECURITY CLASSIFICATION	SCTY	M 3	A					SEE ANNEX A.
3 RESTRICTIONS	RES- TR	M 6	A					SEE ANNEX A.
4 PRECEDENCE	PREC	M 1	N					
5 SUBJECT	SUB	M 4	(4)A					UNIT PERS EQUIP Tb1
6 NATIONALITY	NAT	0 2	(2)A					
7 UNIT IDENTIFICATION	UNIT	0 24	(6)E/(6)A/ (6)A/(6)A					Tb1 Tb1
8 CODE NAME	CN	0 12	(12)E					
9 NICKNAME	NN	0 12	(12)E					
10 PARENT	PAR- ENT	0 26	(2)A/(6)E/(6)A/Tb1s (6)A/(6)A					"PARENT" IS DESIGNATED THE SAME WAY AS "UNIT" EXCEPT NATIONALITY IS ADDED. UP TO 7 GRID COORDINATES MAY BE USED TO DETERMINE THE AREA OF INTEREST.
11 LOCATION	LOC	0 70	7 (2)A(8)N					
12 CATEGORY- ECHELON	CAT-E ECH	0 14	(6)A/(2)A/(6)A					

Figure H-12. OB Unit Data Query Message; OA4, E/V Requirements

Field Name	Tag	M/ O	No. Chs	Format of Data Code	Validation Requirements				Comments
					Members of Set	Numeric Range	Special Process	Storage Tag	
13 PERSONNEL EQUIPMENT STATUS 1	P-E STA-TUS	0	15	(7)A/(3)E/(2)A/ (3)A	Tb1 7				
14 PERSONNEL EQUIPMENT STATUS 2	P-E STA-TUS	0	15	(7)A/(3)E/(2)A/ (3)N	Tb1 7				
15 DATA	DATA	0	35	5 7E	Tb1 7				

Figure H-12. OB Unit Data Query Message OA4, E/V Requirements

FOR OFFICIAL USE ONLY

general category of the query which may be either PERS, EQUIP, or UNIT. The query response will depend upon which of these entries are used in this data field.

6 Nationality (NAT). If the search criteria is to be confined to one nationality, the code for the country is entered in this field. If this entry is left blank, nationality will not be a search parameter.

7 Unit Identification (UNIT). When applicable, the unit identification of the query subject is entered here, e.g., 423/MTZD/RIFLE/DIV.

8 Code Name (CN). The code name of a unit may be used as a search criteria only when the query pertains to one unit.

9 Nickname (NN). The nickname of a unit may be used as a search criteria only when the query pertains to one unit.

10 Parent (PARENT). Parent is defined in the same manner as UNIT except that a field is provided for the nationality of the parent. This would allow, for example, retrieval of Albanian units subordinate to a specified Hungarian unit.

11 Location (LOC). This parameter allows for retrieval of information on enemy units located within an area defined by up to seven military grid coordinates.

12 Category-Echelon (CAT-ECH). This entry allows the user to restrict his query to units of a specified category and of a specified echelon. The first portion of the field is for category of unit, the second field is for a relational operator, and the third field for an echelon.

13 P-E Status 1 and 2. When entry under SUB is EQUIP or PERS, at least one of these data entries must be filled. The four fields provided are for ITEM, STATUS, RELATIONAL OPERATOR, and PERCENTAGE. For example, ARMOR/EFF/LT/80 is a request for units with less than 80% effectiveness.

14 Data (DATA). When the entry under SUB is UNIT, this entry may contain up to five of the parameters listed in the glossary, e.g., if DATA contained LOC/COM-EFF/PARENT and NAT is designated, then the result of the query would be a list of all units of that nationality with their locations.

(2) OB Personality File. There is one message used to retrieve data from the OB Personality file. This message is described in detail below.

H-V-20

FOR OFFICIAL USE ONLY

FOR OFFICIAL USE ONLY

(a) OB Personality Query - OB4. The OB Personality Query Message is used to query the OB Personality file. The structure and format of the OB4 message are shown in Figure H-13. The E/V table used in processing this message is shown in Figure H-14. The entries in the "Member of Set" column in Figure H-14 are defined in Section VI of this annex. Each field name contained in the message format (Figure H-13) is defined below.

1 Message Originator (ORIGIN). See Annex A.

2 Security Classification (SCTY). See Annex A.

3 Restrictions (RESTR). See Annex A.

4 Precedence (PREC). See Annex A.

5 Last Name (LN). This entry indicates the last name of the individual whose record is being queried.

6 Rank (RANK). This entry allows retrieval from the OB Personality file of all persons of a specified rank, personalities above a specified rank, or personalities below a specified rank.

7 Place of Birth (POB). When this entry is completed, records of all personalities of country designated will be output.

8 Age (AGE). When this entry is filled out in the form of relational operator and an integer, retrieval will be performed on a Personality file of all persons whose current age meets the criteria specified. (Note: RANK, POB, and AGE may be used simultaneously, e.g., a list of persons born in the Soviet Union less than 35 years of age with rank greater than captain may be obtained by the appropriate entries in RANK, POB, AGE).

9 Position in Unit (PINU). The position of an individual in the unit to which assigned may be used as a search parameter.

10 Intelligence Interest (INT). The intelligence interest pertaining to the individual may be used as a search criteria.

11 Alias. This entry contains the alias, if any, of the individual for whom a record is established.

12 Date of Birth (DOB). This entry contains the date of birth of the individual for whom the record is established.

13 Current Assignment (UNIT). This entry contains an identification of the current assignment of the individual for whom a re-

FOR OFFICIAL USE ONLY

OB4

OB PERSONALITY QUERY MESSAGE

	<u>MAX CHAR</u>
ORIGIN	9
SCTY	3
RESTR	6
PREC	1
NAME	17
RANK	11
PLACE OF BIRTH	12
AGE	2
POSITION IN UNIT	3
INTELLIGENCE INTEREST	2
ALIAS	17
DATE OF BIRTH	12
CURRENT ASSIGNMENT (UNIT)	26

Figure H-13. OB Personality Query Message, OB4

(1 of 1)

H-V-22

FOR OFFICIAL USE ONLY

Field Name	Tag	M/No. Char	Format of Data Code	Validation Requirements				Comments
				Member No. of Set	Special Process	Storage Tag	Validate Element Conditions	
1 ORIGINATOR OF MESSAGE	ORIGIN	M 9	(9)E					SEE ANNEX A.
2 SECURITY CLASSIFICATION	SCTY	M 3	A					SEE ANNEX A.
3 RESTRICTIONS	RES-	M 6	A					
4 PRECEDENCE	PREC	M 1	N					
5 LAST NAME	LN	M 17	(17)E					
6 RANK	RANK	O 6	(6)A				Tb1 3	
7 PLACE OF BIRTH	POB	O 2	(2)A				Tb1 1	
8 AGE	AGE	O 2	(2)N					
9 POSITION IN UNIT	PINU	O 3	(3)E				Tb1 4	
10 INTELLIGENCE INTEREST	INT	O 2	(2)A				Tb1 12	
11 ALIAS	AL-	O 17	17A					
12 DATE OF BIRTH	DOB	O 12	(12)E					
13 CURRENT ASSIGNMENT	C-A	O 26	(2)A/(6)E/ (6)A/(6)A/ (6)A				Tb1s 1,2	

Figure H-14. OB Personality Query Message, OB4, E/V Requirements

FOR OFFICIAL USE ONLY

cord is established. It identifies nationality, designation, type, branch, and echelon of the unit.

c. Standing Request for Information Messages. There are three SRI messages, the OA6, OA7, and OA8.

(1) OA6 and OA7 SRI Establish or Change Message. The OA6 message establishes an SRI. The OA7 message is used to change an existing SRI by providing an SRI number in the space allocated on the format. The format for the OA6 and OA7 messages is shown in Figure H-15. The E/V table used in the processing of this message is contained in Figure H-16. Each of the information items contained in this message is described below.

(a) Message Originator (ORIGIN). See Annex A.

(b) Security Classification (SCTY). See Annex A.

(c) Restrictions (RESTR). See Annex A.

(d) Precedence (PREC). See Annex A.

(e) SRI-No. When the user wishes to change an existing SRI, he must enter the number of the SRI he wishes to change in this entry. When the entry is blank, the system will regard the message as an SRI Establish.

(f) INHIBIT-OWN. This information item is used to eliminate redundant distribution of data. The allowable entries are Y and N. If the originator of this SRI enters a Y, he will not receive subsequent output distributed in response to the SRI if the output resulted from one of the originator's own input messages. An N entry will not suppress subsequent dissemination. If this entry is left blank, an N entry will be assumed and each recipient will receive output messages initiated by his own input messages also. (Example: INHIBIT-OWN/Y - The originator of the message will not receive output distributed in response to his own input messages.)

(g) QUERY. Initial query option allows the user to request that this SRI will perform initially as a query by first returning all information present in the data base which the SRI criteria specify. Thereafter, the SRI will perform as a normal SRI by routing all OB Data Input messages which the SRI criteria specify. The entries for QUERY are Y (this SRI is to perform initially as a query) and N (this SRI is not to perform initially as a query). If the entry is left blank, it is equivalent to an N entry. (Example: QUERY/Y - this is to perform initially as a query.)

OA6

OB UNIT SRI ESTABLISH

	<u>MAX CHAR</u>
ORIGIN	9
SCTY	3
RESTR	6
PREC	1
SRI-NO	6
INHIBIT OWN	1
QUERY	1
RECIPIENTS	36
NATIONALITY	2
UNIT	24
CODE NAME	12
NICKNAME	12
PARENT	26
CATEGORY-ECHELON	14
COMBAT EFFECTIVENESS	3
LOCATION	70
P-E STATUS 1	18
P-E STATUS 2	18
VALID TO	12

Figure H-15. OB Unit SRI Establish/Change Message,
OA6 and OA7

(1 of 1)

H-V-25

Field Name	Tag	M/ O	No. of Chars	Format of Data Code	Validation Requirements				Comments
					Member of Set	Numeric Range	Special Process	Storage Tag	
1 ORIGINATOR MESSAGE	OFORI- GIN	M	9	(9)E					SEE ANNEX A.
2 SECURITY CLASSIFICATION	SCFY CATION	M	3	A					SEE ANNEX A.
3 RESTRICTIONS	RES- TR	M	6	A					SEE ANNEX A.
4 PRECEDENCE	PREC		1	N					
5 SRI NUMBER	SRI- NO		6	(6)					TO BE USED WHEN CHANGING AN EXISTING SRI.
6 INHIBIT OWN	IN- HIB- IT	O	1	A					
7 QUERY	QU- ERY	O	1	A					
8 RECIPIENTS	REC	O	36	4 (9)E					SEE ANNEX A.
9 NATIONALITY	NAT	O	2						
10 UNIT IDENTIFICATION	UNIT	O	24	(6)E/(6)A/(6)A/(6)A					Tbl 1
11 CODE NAME	CN	O	12	(12)E					Tbl 2
12 NICKNAME	NN	O	12	(12)E					
13 PARENT	PAR- ENT	O	26	(2)A/(6)E/(6)A/Tbls (6)A/(6)A					1,2

Figure H-16. OB Unit SRI Establish Message, OA6 and OA7, E/V Requirements

Field Name	Tag	M/No O/Cha	Format of Data Code	Validation Requirements			
				Member Numeric of Set Range	Special Process	Storage Related Element Tag Conditions	Comments
14 CATEGORY- ECHELON	CAT- ECH	0 14	(6)A/(2)A/ (6)A	Tb1 7			
15 PERSONNEL- EQUIPMENT	P-E STA-	0 18	(18)E	Tb1 7			
16 PERSONNEL- EQUIPMENT	TUS 1 P-E STA-	0 18	(18)E	Tb1 7			
17 VALID-TO ID TO	TUS 2 VAL- ID TO	M 12					

Figure H-16. OB Unit SRI Establish Message, OAb and OAV-E/V Requirements

FOR OFFICIAL USE ONLY

(h) RECIPIENTS. The identity by origin code of up to four units scheduled to receive copies to response messages generated as a result of this SRI. Each recipient may elect to accept or reject their inclusion in this SRI distribution list upon receipt of the first response message without affecting the decision of any other recipient to accept or reject their inclusion. When all recipients (including the originator) remove their names from the distribution of this SRI, the SRI will be dropped from the system. (Example: RECIPIENTS/PMG2/DMG2/
/ / / / / - in addition to the initiator of this SRI, PMG2 and DMG2 are to receive any output message routed by this SRI.)

(i) Nationality (NAT). The nationality of the unit or units in the SRI may be specified here.

(j) Unit Designation (UNIT). Four entries are used to specifically describe a unit: designation, type, branch, and echelon in that order. It is not necessary to specify any one or combination of these four parameters. The result of omitting any one will be the elimination of that parameter as a response criteria, that is, a blank field is equivalent to "all", where "all" might mean "all types" if the "type" field is blank, or "all" might mean "all designations" if the "designation" field is left blank. (Example: UNIT/501/ARMOR/INF/BAT - this would be the 501st armored infantry battalion or UNIT/ /MTZD/ /DIV - this would mean all motorized divisions.)

(k) Code Name (CN). If the SRI refers to a unit identified by a code name, it should be entered here. This entry may not be used if UNIT is filled out.

(l) Nickname (NN). Nickname may be used in a similar manner to code name.

(m) Unit Parent (PARENT). Parent unit is used to retrieve information on all units which are subordinate to the specified parent unit. PARENT consists of the same entries as those for UNIT, except that the NATION designation is allowed for PARENT separate from NAT. (Example: PARENT/CE/9 /INF / /CORPS - information is requested on each unit for which PARENT is the East German (CE) 9th (9) Infantry (INF) Corps (CORPS).)

(n) Category-Echelon (CAT-ECH). Category echelon is used to retrieve information on enemy units by specifying branch and/or echelon of the enemy units. CAT-ECH consists of three entries: category, relational operator, and echelon in that order. Category is equivalent to branch in U. S. Army terminology; for example, Armor. Relational operator is used

FOR OFFICIAL USE ONLY

in conjunction with echelon to specify an echelon or range of echelons of units on which OB information is requested. If entries are to be made for CAT-ECH, an entry must be made for echelon. (Example: CAT-ECH/ARMOR/LT/CORPS - information is requested on armored units of less than corps echelon.)

(o) Combat Effectiveness (COMBAT-EFF). This entry is used to retrieve information on enemy units whose combat effectiveness falls within a specified percentage range. There are two entries: a relational operator and percentage of combat effectiveness. The entries for relational operator are the standard entries found in the OB glossary. The entry for percentage of combat effectiveness is from one to three numbers expressing the desired percentage (from 0 to 100). If any entry is made for relational operator, a percentage must be entered. (Example: COMBAT-EFF/GT/80 - information is requested on all enemy units whose combat efficiency is more than (GT) 80% (80).)

(p) Location (L). This information item refers to a geographic figure by either a circle (CENTER and RADIUS) or defined by grid coordinates. A polygon is described with up to seven coordinates and allows the user to request routing of OB Data messages which pertain to enemy units within the identified area.

(q) P-E STATUS 1 and 2. Personnel/equipment status permits the user to describe condition of enemy units for which information is required. (Example: P-E STATUS/ARTY/ /EFF/ /100 - information is requested on enemy units whose artillery (ARTY) effectiveness (EFF) is equal to 100% (100). Note that a blank entry for relational operator is equivalent to "equal to".)

(r) VALID-TO (Mandatory). Valid-to specifies the time at which this standing request for information is no longer valid and is dropped from the system. This entry is usually a date-time group specifying the effective time of the SRI's cancellation. All valid recipients are notified when an SRI is automatically dropped from the system. The entry may also be the word OPEN. When OPEN is used, the SRI will remain in effect until an SRI Delete message (see Annex A) is processed requesting that this specific SRI be dropped from the TOS. (Example: VALID-TO/OPEN - The standing request for information described in this message will remain in TOS until a specific message authorizing its deletion is processed or VALID-TO150800ZSEP67 - The standing request for information described in this message is scheduled to be dropped from the system at 1800 Zulu on 15 September 1967.)

(2) SRI Delete (OA8). The SRI Delete Message (OA8) enables a TOS user to request the deletion of SRI information which has been previously

FOR OFFICIAL USE ONLY

entered into the system by means of SRI Establish or SRI Change messages. A system user may delete only those SRIs which can be identified (through the originator data element) as having been entered by his staff element. Data elements which comprise this message are listed in Figure H-17. The data element SRI NO will be composed of one (1) to eight (8) SRI numbers to be deleted.

2. Output Messages. The Order of Battle functional area output messages consist of responses to queries. When data is not available in the file to satisfy a query, an appropriate non-response message will be output. A query output message is activated by an OA4 message for the OB Unit Data file and an OB4 message for the OB Personality file. The format of the output will depend on the nature of the data being retrieved. A sample is shown in Figure H-18 in which the query asked for the location, combat-effectiveness, and commanders name of all East German units. Figure H-19 shows the format of the output from a query of the OB Personality file.

3. Named Area of Interest Messages (AA1, AA2, AA3, AA4).

a. The Named Area of Interest messages enables a system user to define the coordinates delineating a geographic area and to assign that area a name. This named area then represents to the system and users alike an area of interest confined to specific geographic bounds. Thus, a user can enter a query message in which an AREA-OF-INTEREST may be a part of the selection criteria without having to enter the coordinates that define this area each time the message is entered. By using the AREA-OF-INTEREST data element provided in the Named Area-of-Interest Message (AA1), a named area may be established; a change in the AREA-OF-INTEREST data element may be made by using the Named Area of Interest code (AA2); the AREA-OF-INTEREST data element may be deleted by using the Named Area of Interest code (AA3); and information on specific areas of interest may be retrieved by using the Named Area of Interest code (AA4).

b. Each data element contained in the Named Area of Interest Message, if not previously described, is defined below.

(1) Area of Interest (AR-INT). This data element is mandatory and may be composed to two entries. A unique originator code corresponding to the codes used in the Originator data element and the name of the area presented as any six alphanumeric characters. The entries, or named area, are then considered to define the geographic area shown in the POSITION data element. This data element can be used to define an area in two ways.

(a) Define the Area of Interest of a Unit. The originator code for the G3 of a unit is entered in the first nine spaces of the field in order to define an area for the entire unit. The second part of the field is not mandatory when G3 is the first entry.

(b) Define an Area of Interest of a Staff Element. Any other

FOR OFFICIAL USE ONLY

TOS user may define an area of interest for his use by entering his assigned originator code in the first portion of the data element and a name of up to six alphanumeric characters in the second part.

(2) Position (POSIT). This is a mandatory data element and is used to specify military grid coordinates which define a geographic area. A user can define an enclosed figure by entering a series of coordinates representing points where the first coordinate point entered will be the same as the last coordinate point entered. A circle may be defined through the entry of a coordinate representing the center of the circle and a length code representing either the diameter or radius of the circle. Although only one coordinate may change a named area, all coordinates must be entered when the AA2 message is used as a complete replacement of coordinates is performed.

(3) Entered By. This is an optional conditional data element used in the AA4 query message and contains an originator entry which identifies a valid system user. The query message is used to retrieve named area information that has been input to the system by one specific user. This data element may also be used in conjunction with the Position data element to retrieve only named area information input by a specific user which overlap or lies within a geographic area.

H-V-30A

FOR OFFICIAL USE ONLY

FOR OFFICIAL USE ONLY

OA8	OB SRI Delete
	<u>MAX CHAR</u>
ORIGINATOR	9
SECURITY	3
RESTRICTIONS	6
PRECEDENCE	1
SRI NO.	48

Figure H-17. SRI Delete, OA8

(1 of 1)

H-V-31

OB UNIT QUERY RESPONSE

REFERENCE/(Input message header)

IN TIME/ ; ORIGINATOR/ ;

<u>UNIT</u>	<u>LOCATION</u>	<u>COM-EFF</u>	<u>COMMANDER</u>
CE/423/MTZ/RIFLE/DIV	ABNXXXXXXXX	80%	COL ALEXANDER BORODIN
.	.	.	.
.	.	.	.
.	.	.	.
.	.	.	.
.	.	.	.
.	.	.	.

CE/.....

The preceding are the only UNITS satisfying query parameters.

(This form would be the response to a query that asked for the location, combat-effectiveness and commanders' names of all East German units).

Figure H-18. Query Output Format (Sample) (1 of 1)

CLASSIFICATION

OB PERSONALITY QUERY RESPONSE

QUERY REFERENCE (INPUT MESSAGE HEADER)

IN TIME

PERSONALITY NUMBER

NAME

PLACE OF BIRTH

AGE

POSITION IN UNIT

INTELLIGENCE INTEREST

CLASSIFICATION

Figure H-19.

OB PERSONALITY RESPONSE MESSAGE

(1 of 1)

H-V-33

FOR OFFICIAL USE ONLY

NAMED AREA OF INTEREST

(AA1, AA2, AA3, AA4)

Originator	9
Security	3
Restrictions	6
Precedence	1
Area of Interest	15
Position	110
Entered By	9

Figure H-19A. Named Area of Interest.

(1 of 1)

H-V-34

FOR OFFICIAL USE ONLY

Field Name	Tag	M/No. of Chs.	Format of Data Code	Validation Requirements			Comments
				Number, Numeric Range	Special Process	Storage Related Element or Conditions	
1 Message Originator	Origin	M 9	(9) E				
2 Security	Scty	M 3	(3) A				
3 Restriction Precedence	Rest- ct- Prec	M 6	(6) A (1) N				
4 Area-of-Interest	Ar- Int	M 15	(9) E (6) E Origin/Name of Area				
5 Position	Pos- it	M 110	(110) E				Up to 11 coordinates
7 Entered By	Ent	O 9	(9) E				
8							
9							
10							
11							

Figure H-19B. Named Area of Interest (AA1, AA2, AA3, AA4) E/V

FOR OFFICIAL USE ONLY

SECTION VI

TRANSACTION PROCESSING

1. Data Input Messages. The narrative description and detailed flow charts of all OB Intelligence functional area messages are included in this section. The processing of OB Intelligence functional area messages utilizes the following Basic Processes which are described in Annex A:

Data Edit and Validation (E/V)

Data Retrieval (DR)

File Maintenance (FM)

Standing Request for Information (SRI)

Data Access Control (DAC)

Error Module (ER)

Output Message Formatting (OMF)

The following Common Processes are also used where applicable:

Coordinate Conversion

Area Search

Named Area of Interest

a. OB Unit Data Input Message - OA1 and OB Unit Data Change Message - OA2. The OB Data Input Message and OB Data Change Message utilize the E/V, ER, FM, SRI, DAC, and OMF Basic Processes. The flow diagram for processing the OA1 message is shown in Figure H-20 and the OA2 message in Figure H-21. The processing flow of these messages is narratively described below.

(1) Edit and Validation (E/V). The E/V BP transforms the input messages data into internal tags and values. The E/V requirements for the OA1 and OA2 messages are contained in Figure H4. The tables to search for certain data elements shown in the "Member of Set" column of the E/V Table are contained in paragraph 4 of this section. If errors are detected in the message, the Error Module is scheduled. If no errors are detected, the next process is scheduled.

(2) Error Process (ERROR). The ER selects the appropriate error notice based on the error detected in the E/V process and initiates action

H-VI-1

FOR OFFICIAL USE ONLY

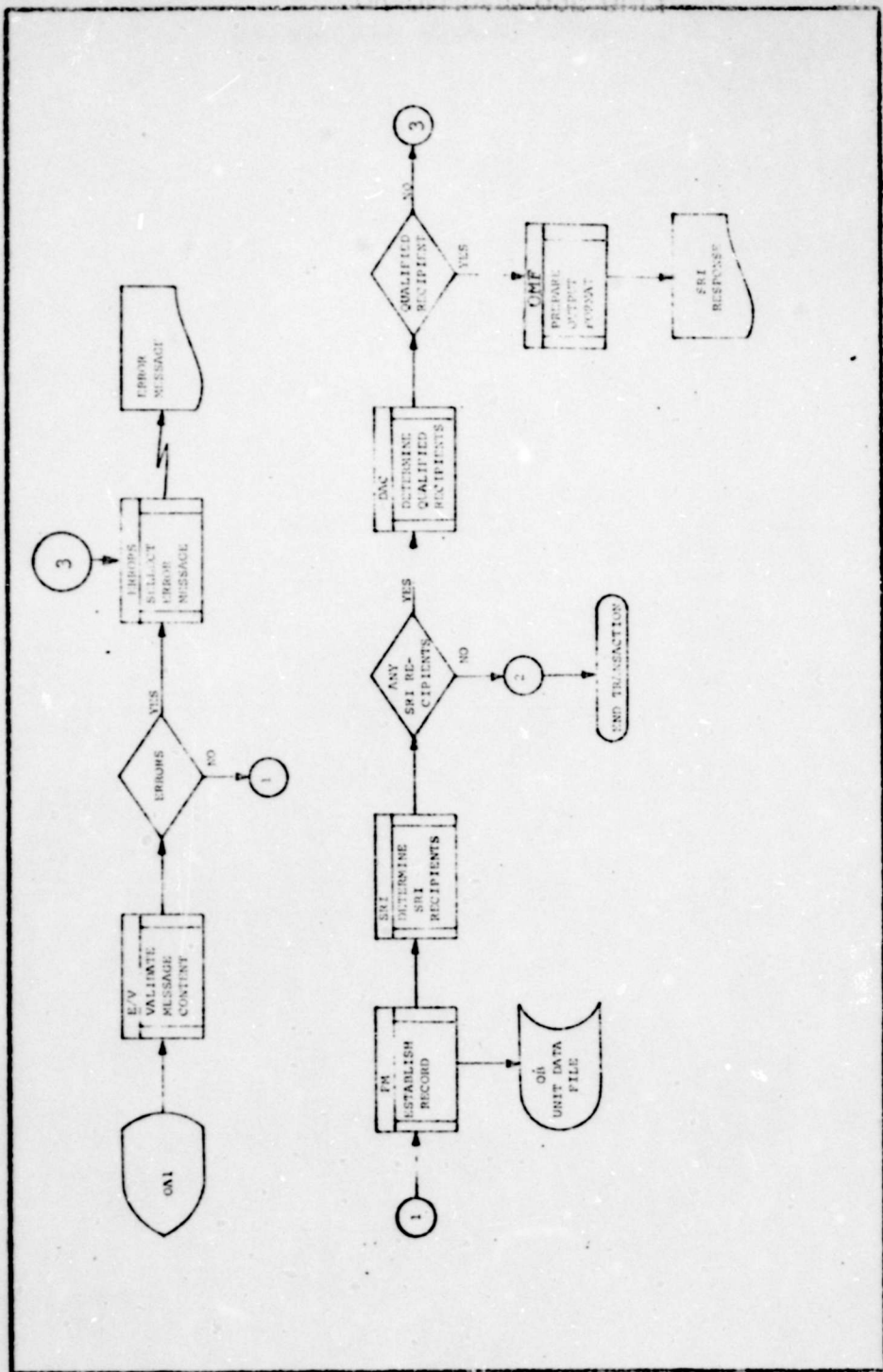


Figure H-20. OB Unit Data Input Message, OAI

H-VI-2

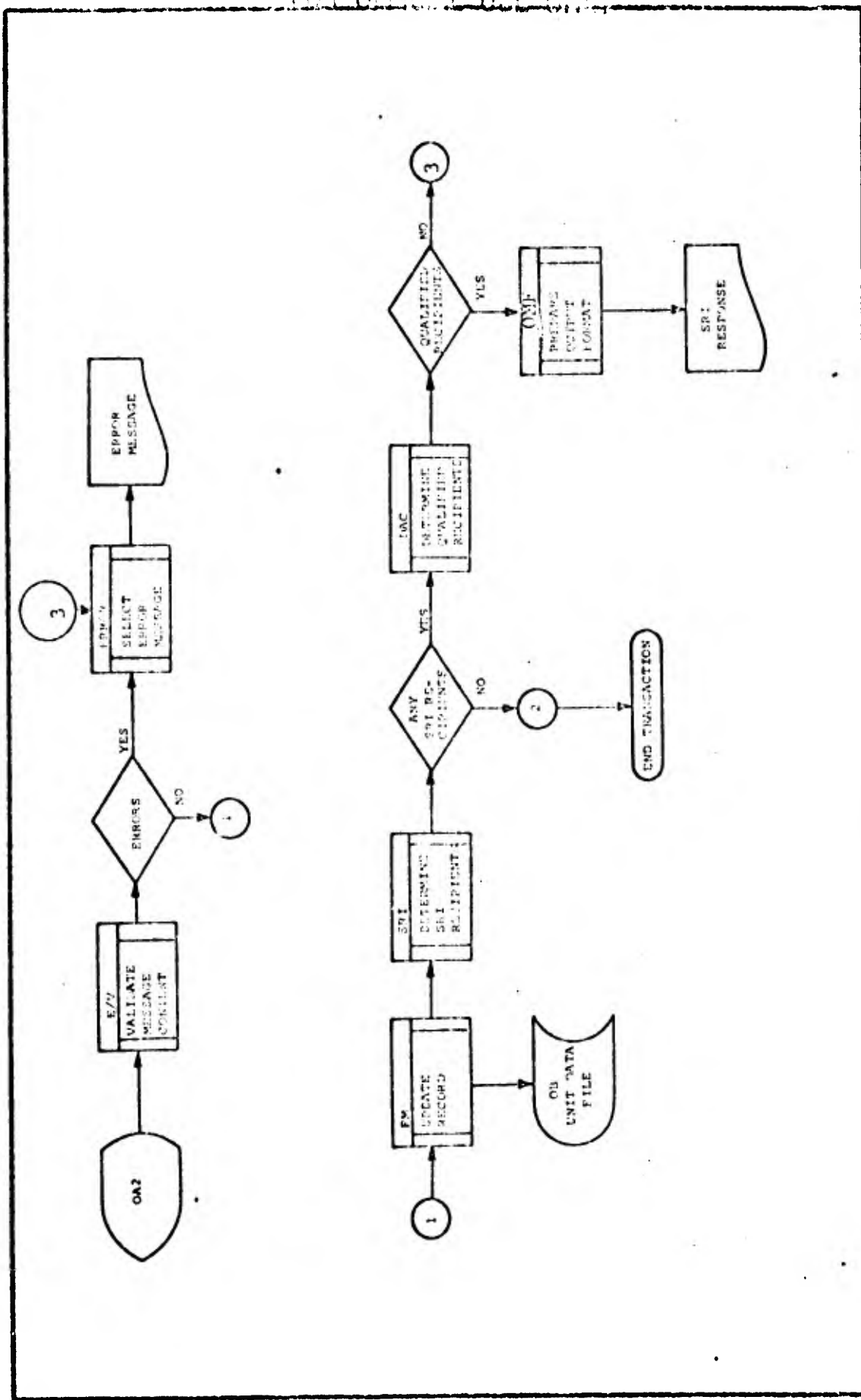


Figure H-21. OB Unit Data Change Message, OA2

for the preparation and transmission of an appropriate error message to the message originator.

(3) File Maintenance (FM). After the OA1 and OA2 messages have successfully passed the E/V process, the FM process is scheduled to add the new record to the OB Unit Data file or to change the data in an existing record.

(4) Standing Request for Information (SRI). The SRI process is scheduled to determine whether or not there are any outstanding SRI recipients for the input message. If there are no outstanding SRI, the processing of the message is complete. If there are SRI recipients, the next process scheduled is the DAC.

(5) Data Access Control (DAC). The DAC determines whether or not the SRI recipients are qualified to receive an SRI response resulting from the input message. If there are no qualified recipients, processing of the message is complete. If there are qualified SRI recipients processing of the input message is passed to the Message Formatting process.

b. OB Unit Data Delete Message - OA3. The OB Unit Data Delete message is utilized optionally to delete a complete unit data record from the OB Unit Data file or a group of records depending on the criteria in the OA3 message. The E/V, ER, and FM Basic Processes are utilized by the OB Unit Data Delete message OA3. The processing flow diagram for OA3 message is shown in Figure H-22. The processing of this message is described below.

(1) Edit and Validation (E/V). The E/V BP transforms the input message into internal tags and values. The E/V requirements for the OA3 message are contained in Figure H-5. The tables to search for certain data elements shown in the "Member of Set" column of the E/V Table are contained in paragraph 4 of this section. If errors are detected in the OA3 message, ER is scheduled. If no errors are detected, the FM process is scheduled.

(2) Error Process (ERROR). The ER selects the appropriate error message based on the error detected during the E/V process and initiates action for the preparation and transmission of an appropriate error message to the message originator.

(3) File Maintenance (FM). After the OA3 message has successfully passed the E/V process, the FM process is called to optionally delete a record from the OB Unit Data file or a group of records. Upon deletion of the appropriate data from the OB Unit Data file the processing of this message is complete.

c. OB Personality Data Input Message - OB1 and OB Personality Data Change Message - OB2. The OB Personality Data Input Message and OB Personality Data Change Message are processed by the E/V, FM, SRI, DAC, and OMF Basic Processes. The

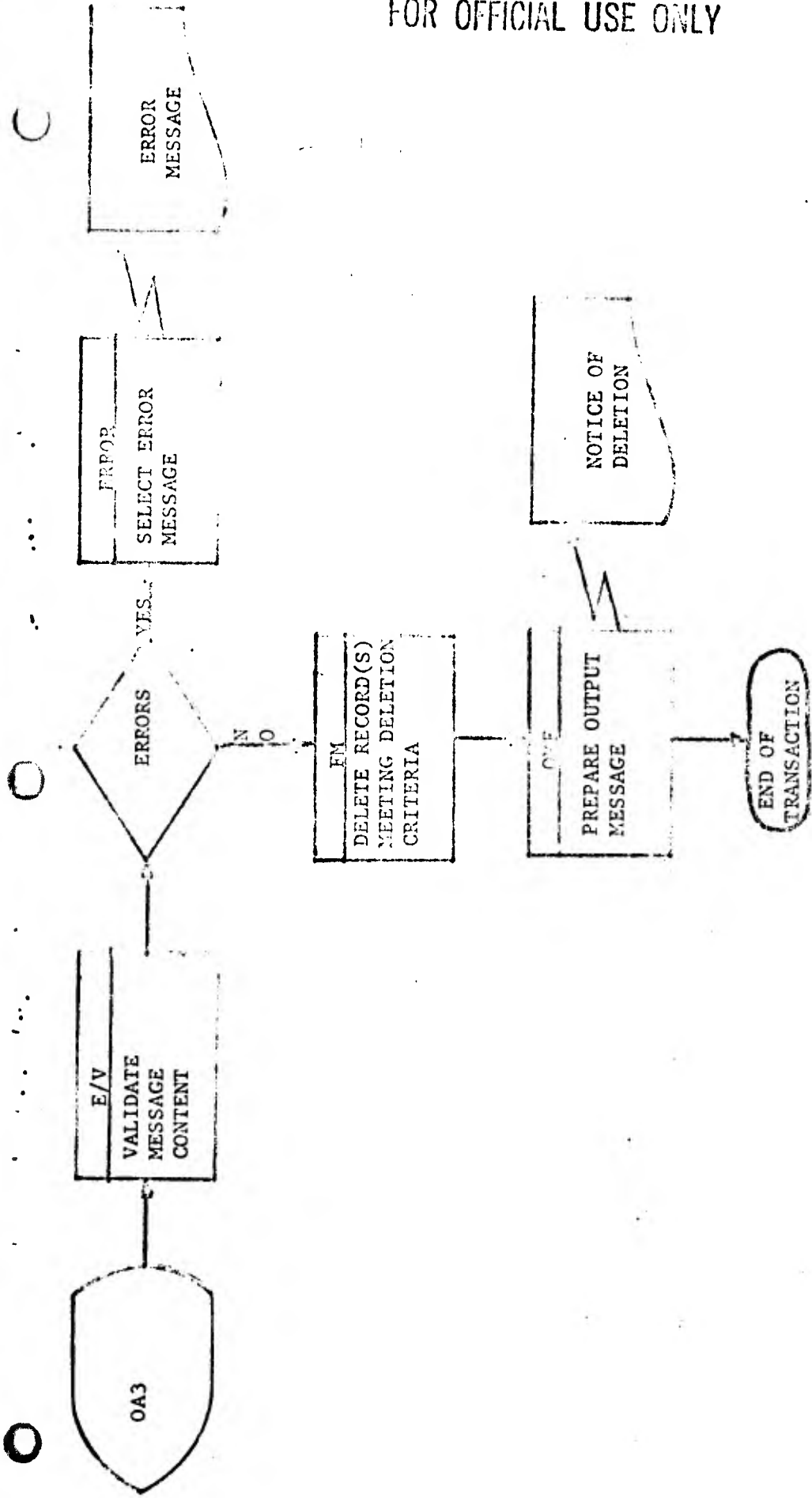


Figure H-22. OB Unit Data Delete Message, OA3

FOR OFFICIAL USE ONLY

flow diagram for processing the OB1 message is shown in Figure H-23, and the OB2 message in Figure H-24. The processing flow of these messages is narratively described below.

(1) Edit and Validation (E/V). The E/V BP transforms the input messages data into internal tags and values. The E/V requirements for the OB1 and OB2 messages are contained in Figure H-8. The tables to search for certain data elements shown in the "Member of Set" column of the E/V table are contained in paragraph 4 of this section. If errors are detected in the message, the Error Module is scheduled. If no errors are detected, the next process is scheduled.

(2) Error Process (ERROR). The ER selects the appropriate error notice based on the error detected in the E/V process and initiates action for the preparation and transmission of an appropriate error message to the message originator.

(3) File Maintenance (FM). After the OB1 and OB2 messages have successfully passed the E/V process, the FM process is scheduled to add the new record to the OB Personality Data File or change the data in an existing record. Processing of these messages is now complete.

d. OB Personality Data Delete Message - OB3. The OB Personality Data Delete message is utilized optionally to delete a complete OB Personality Data record from the OB Personality Data file by use of the personality number. The E/V, ER, and FM Basic Processes are utilized by the OB Personality Data Delete message OB3. The processing flow diagram for OB3 message shown in Figure H-25. The processing of this message is described below.

(1) Edit and Validation (E/V). The E/V BP transforms the input message into internal tags and values. The E/V requirements for the OB3 message are contained in Figure H-10. The tables to search for certain data elements shown in the "Member of Set" column of the E/V table are contained in paragraph 4 of this section. If errors are detected in the OB3 message, the Error Module is scheduled. If no errors are detected, the File Maintenance process is scheduled.

(2) Error Process (ERROR). The ER selects the appropriate error message based on the error detected during the E/V process and initiates action for the preparation and transmission of an appropriate error message to the message originator.

(3) File Maintenance (FM). After the OB3 message has successfully passed the E/V process, the FM is called to delete the specified record from the OB Personality Data file. Upon deletion of the appropriate data from the OB Personality file, the processing of this message is complete.

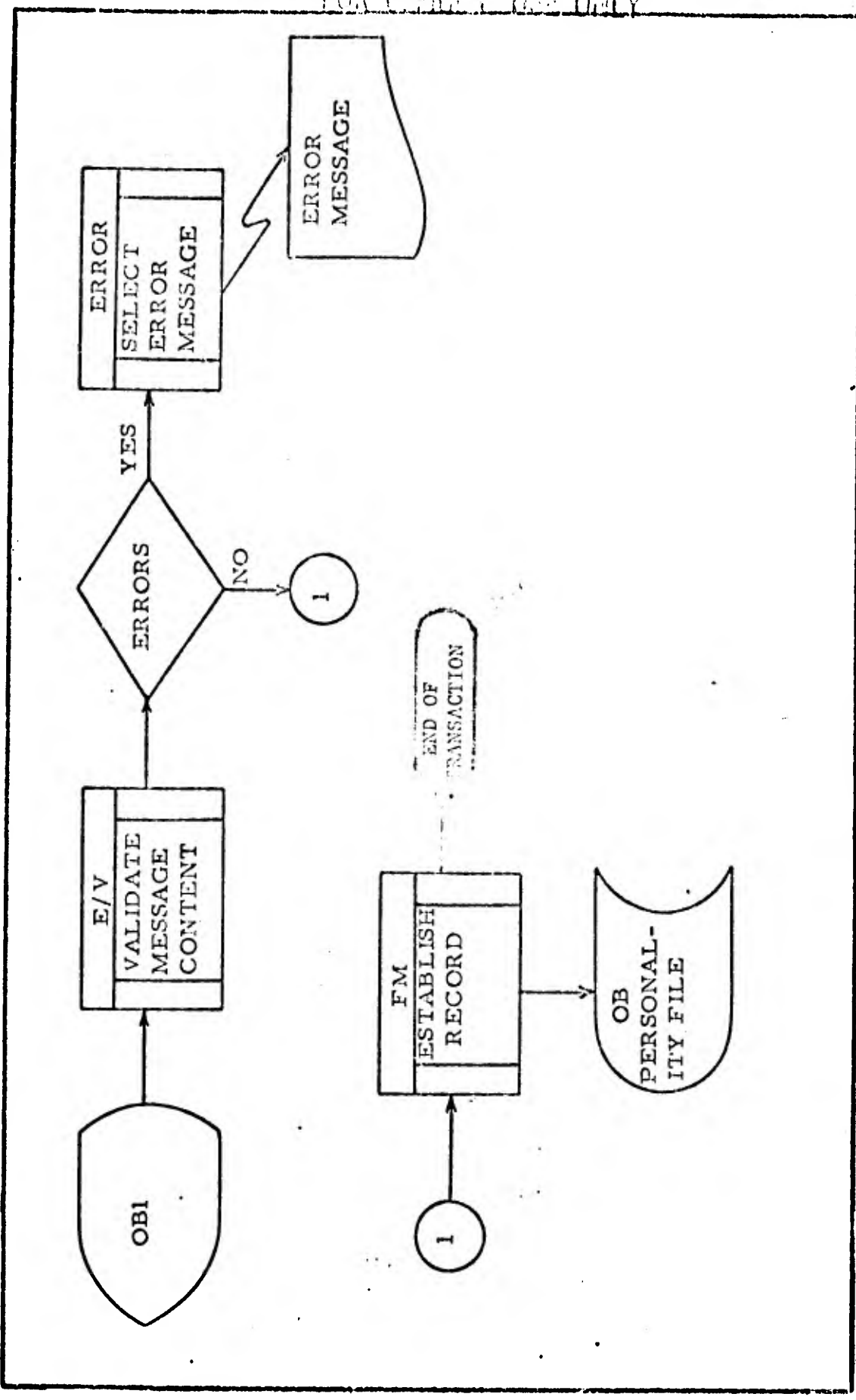


Figure H-23. OB Personality Data Input Message, OBI.

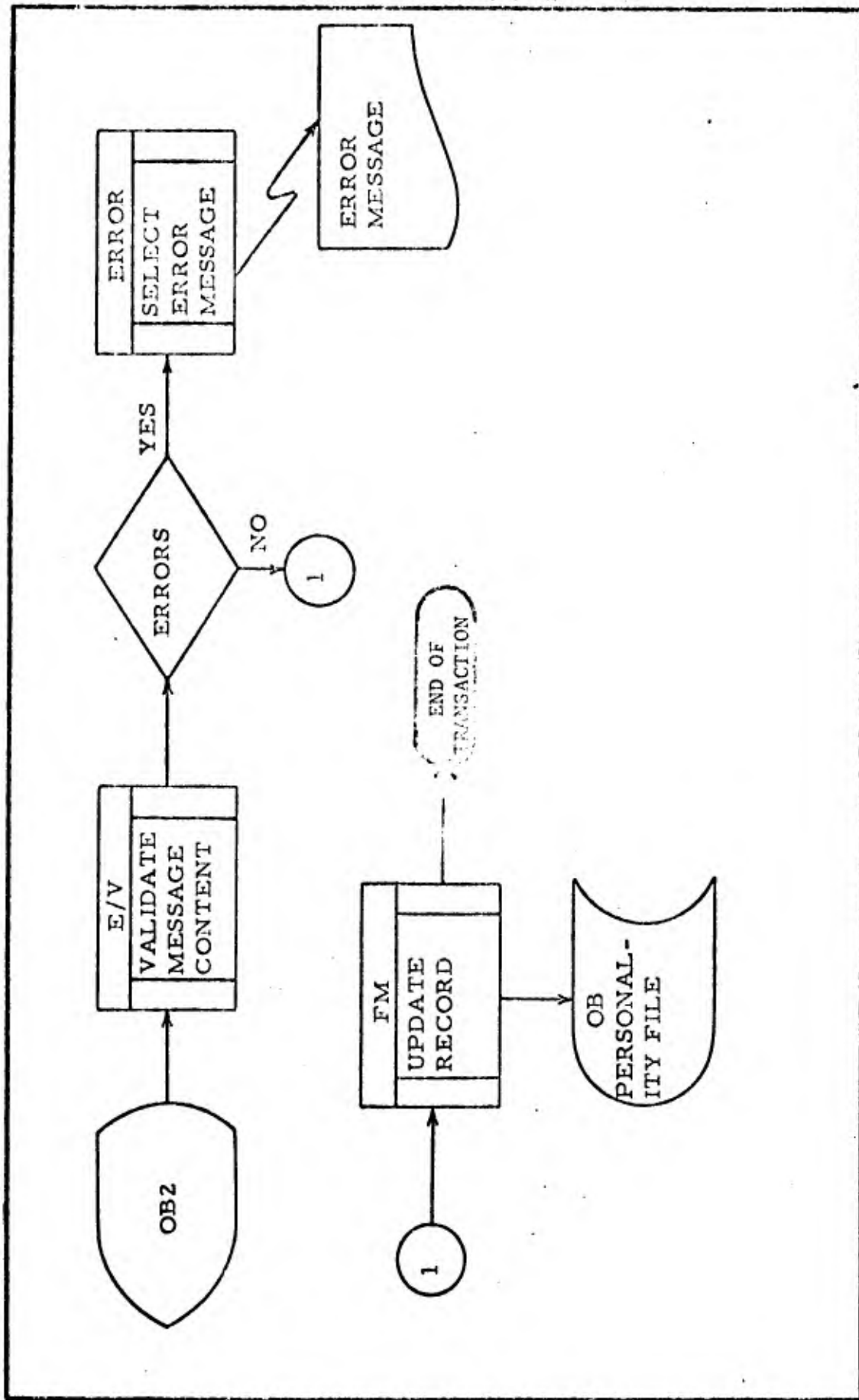


Figure H-24. OB Personality Data Change Message, OB2

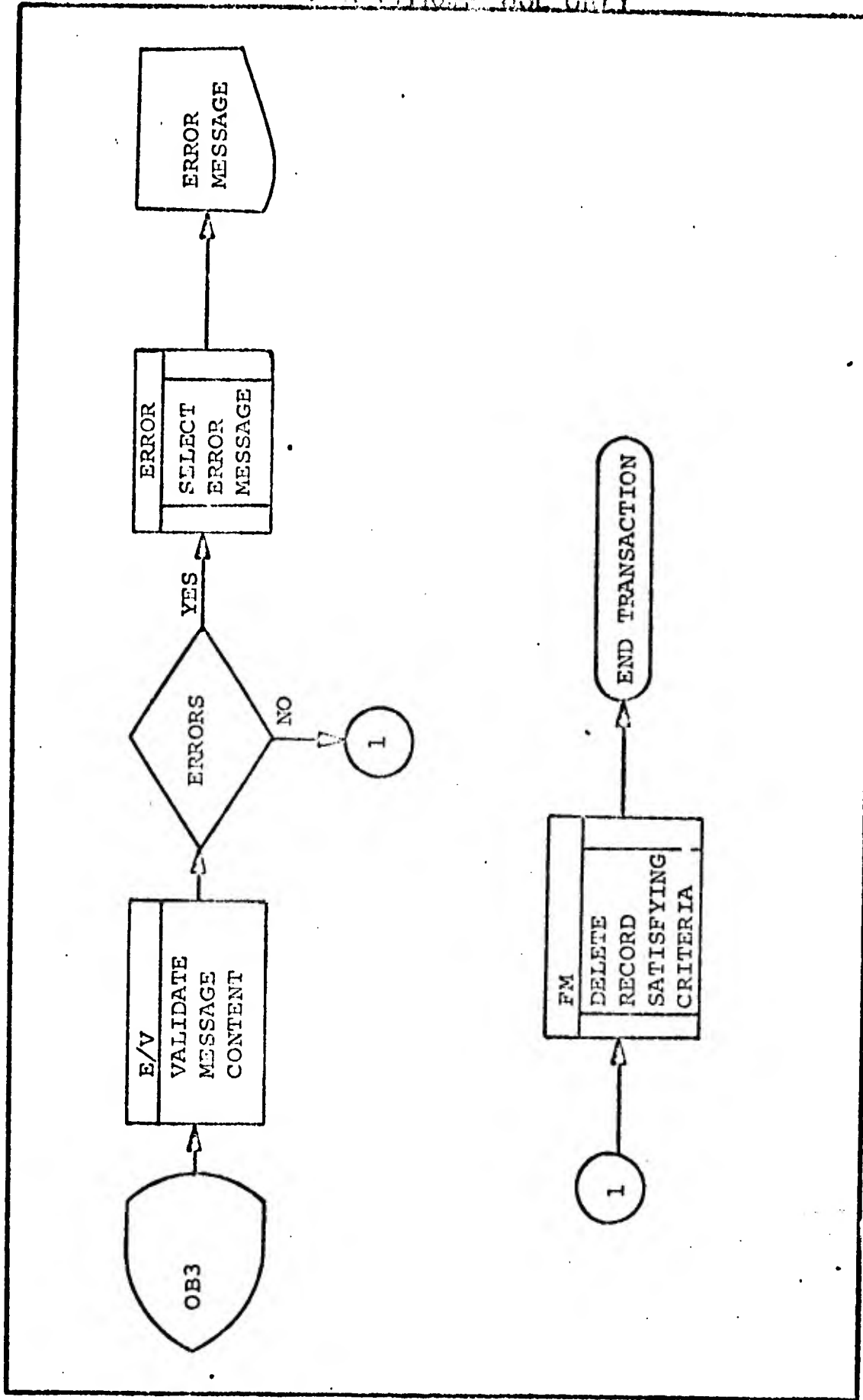


Figure H-25. OB Personality Data Delete Message, OB3

2. Query Messages.

a. OB Unit Data Query Message - OA4. The OB Query message OA4 is utilized to retrieve specified data from the OB4 Unit Data file which is output in a predetermined format. The OA4 message utilizes the E/V, ER, DR, DAC, and OMF Basic Processes. The flow diagram for the OA4 message is shown in Figure H-26. The processing flow of this message is described below.

(1) Edit and Validation (E/V). The E/V process transforms the data in the OA4 message into internal tags and values. The E/V requirements for this message are contained in Figure H-12. The tables to search for certain data elements shown in the "Member of Set" column of the E/V Table are contained in paragraph 4 of this section. If errors are detected in the OA4 message, the ER is scheduled. If no errors are detected, the DR process is called.

(2) Error Process (ERROR). The ER selects the appropriate error notice based on the error detected during the E/V process and initiates action for the preparation and transmission of an appropriate error message to the OA4 message originator.

(3) Data Retrieval (DR). When the E/V requirements have been successfully met, the DR process initiates the retrieval from the OB Unit Data file of the record or records which satisfy the criteria in the query message, OA4. If there are no records which meet the OA4 message criteria, processing is passed to the Output Message Formatting process. If there are records which meet the criteria of the OA4 message, processing is passed to the DAC process.

(4) Output Message Formatting (OMF). If there are no records which satisfy the criteria in the OA4 message, the OMF function will prepare an output message indicating that there are no records meeting the input criteria and processing of the OA4 message is complete.

(5) Data Access Control (DAC). If there are any records which satisfy the input criteria of the OA4 message, the DAC process determines whether or not the originator of the OA4 message is a qualified recipient. If the originator of the OA4 message is a qualified recipient, processing is passed to the OMF process (previously described) for formatting of an appropriate response to the message originator which completes the processing of the OA4 message. If the originator of the OA4 message is not a qualified recipient, control is passed to the ER module.

b. OB Personality Query Message - OB4. The OB Personality Query message OB4 is utilized to retrieve specified data from OB Personality Data file which is output in a predetermined format. The OB4 message utilizes

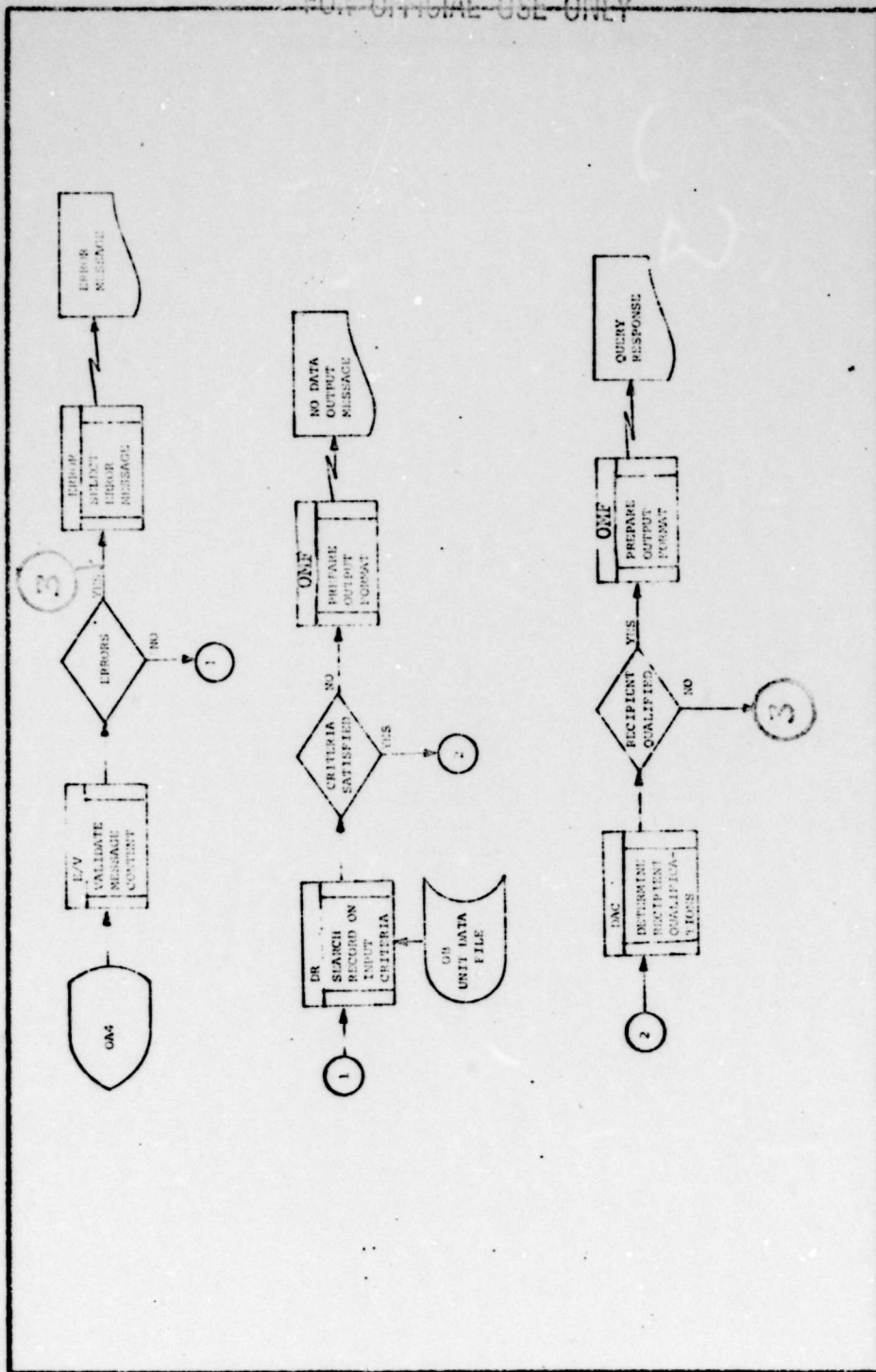


Figure H-26. OB Unit Data Query Message, OA 4

the E/V, ER, DR, DAC, and OMF Basic processes. The flow diagram for the OB4 message is shown in Figure H-27. The processing flow of this message is described below.

(1) Edit and Validation (E/V). The E/V process transforms the data in the OB4 message into internal tags and values. The E/V requirements for this message are contained in Figure H-14. The tables to search for certain data elements shown in the "Member of Set" column of the E/V table are contained in paragraph 4 of this section. If errors are detected in the OB4 message, the ER is scheduled. If no errors are detected, the DR process is called.

(2) Error Process (ERROR). The ER selects the appropriate error notice based on the error detected during the E/V process and initiates action for the preparation and transmission of an appropriate error message to the OB4 message originator.

(3) Data Retrieval (DR). When the E/V requirements have been successfully met, the DR process initiates the retrieval from the OB Personality Data file of the record or records which satisfy the criteria in the query message, OB4. If there are no records which meet the OB4 message criteria, processing is passed to the OMF process. If there are records which meet the criteria of the OB4 message, processing is passed to the DAC process.

(4) Output Message Formatting (OMF). If there are no records which satisfy the criteria in the OB4 message, the OMF function will prepare an output message indicating that there are no records meeting the input criteria and processing of the OB4 message is complete.

(5) Data Access Control (DAC). If there are any records which satisfy the input criteria of the OB4 message, the DAC process determines whether or not the originator of the OB4 message is a qualified recipient. If the originator of the OB4 message is a qualified recipient, processing is passed to the OMF process (previously described) for formatting of an appropriate response to the message originator which completes the processing of the OB4 message. If the originator of the OB4 message is not a qualified recipient, control is passed to the ER module.

3. Standing Requests for Information Messages.

- a. OB SRI Establish Message - OA6.
- b. OB SRI Change Message - OA7.
- c. SRI Delete - OA8.

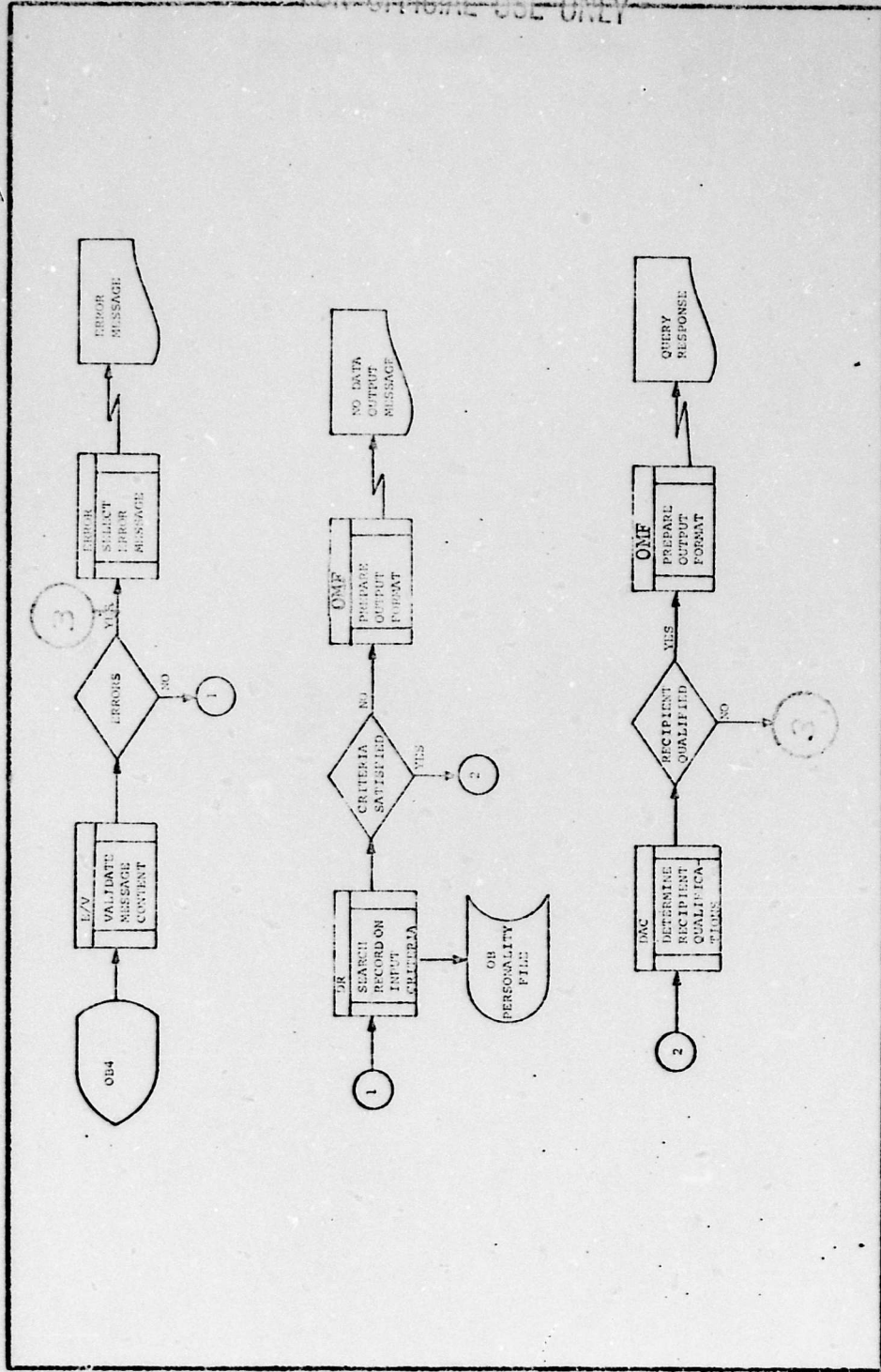


Figure H-27. OB Personality Data Query Message, OB4

These messages utilize the E/V, SRI, and OMF Basic Processes. The SRI Establish, SRI Change message, and SRI Delete message are processed in the same manner except for internal processing within the SRI Basic Process. The flow diagram for processing the OA6 message is shown in Figure H-28. The processing for the OA7 message is shown in Figure H-28A, and the processing for the OA8 message is shown in Figure H-29.

(1) Edit and Validation (E/V). The E/V Basic Process transforms the SRI message data into internal tags and values. The E/V requirements for the SRI message are contained in Figure H-16. The tables to search for certain data elements shown in the "Member of Set" column of the E/V table are contained in paragraph 4 of this section. If errors are detected in the message, the ER is scheduled. If no errors are detected, the SRI process is called.

(2) Standing Request for Information (SRI). The SRI process determines the routing criteria contained in the SRI. The routing criteria are filed for future comparison to incoming data messages of the particular SRI type. The expiration time is included in the SRI. When the SRI is being established, the SRI is placed in file and any SRI specified recipients are notified. If the SRI query option is indicated, the message is processed as a query message for this type. In the processing of an SRI change, the originator removes himself as a recipient. If this removal results in no recipients, the SRI is deleted from the file. If other recipients are indicated, the SRI remains the same with one less recipient.

(3) Output Message Formatting (OMF). The OMF process prepares an output message containing the data in the SRI input message. Processing of the SRI message is now complete.

4. Processing Tables. There are 12 processing tables applicable to the Order of Battle functional area. The tables applicable to the processing of messages for the OB Unit Data file are as follows:

Country Code

Field Name: Unit

Field Name: Rank

Field Name: P-E Status

Field Name: Category Echelon

Field Name: Data

Type of Organization

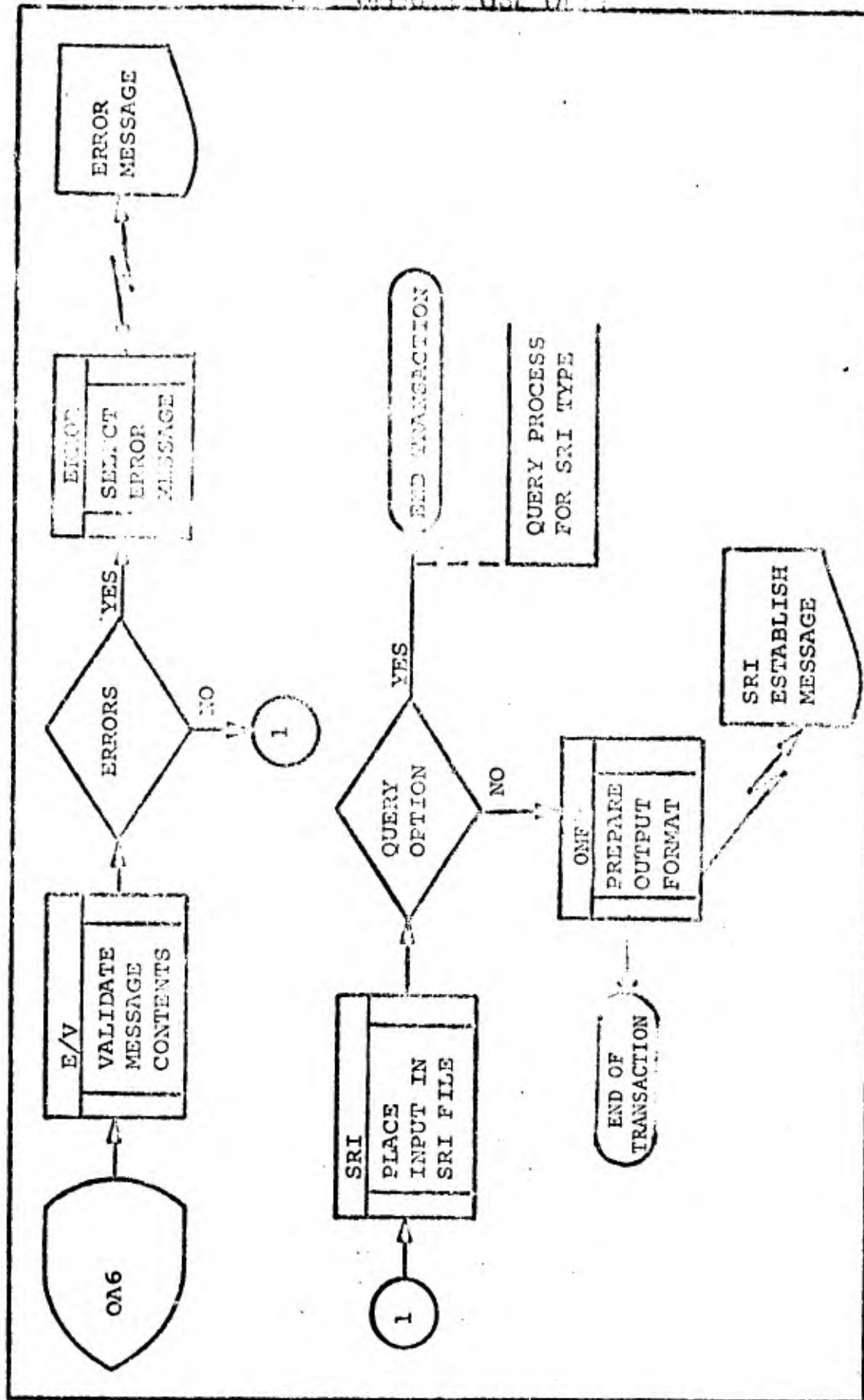


Figure H-28. OB Unit SRI Establish Message, OA6

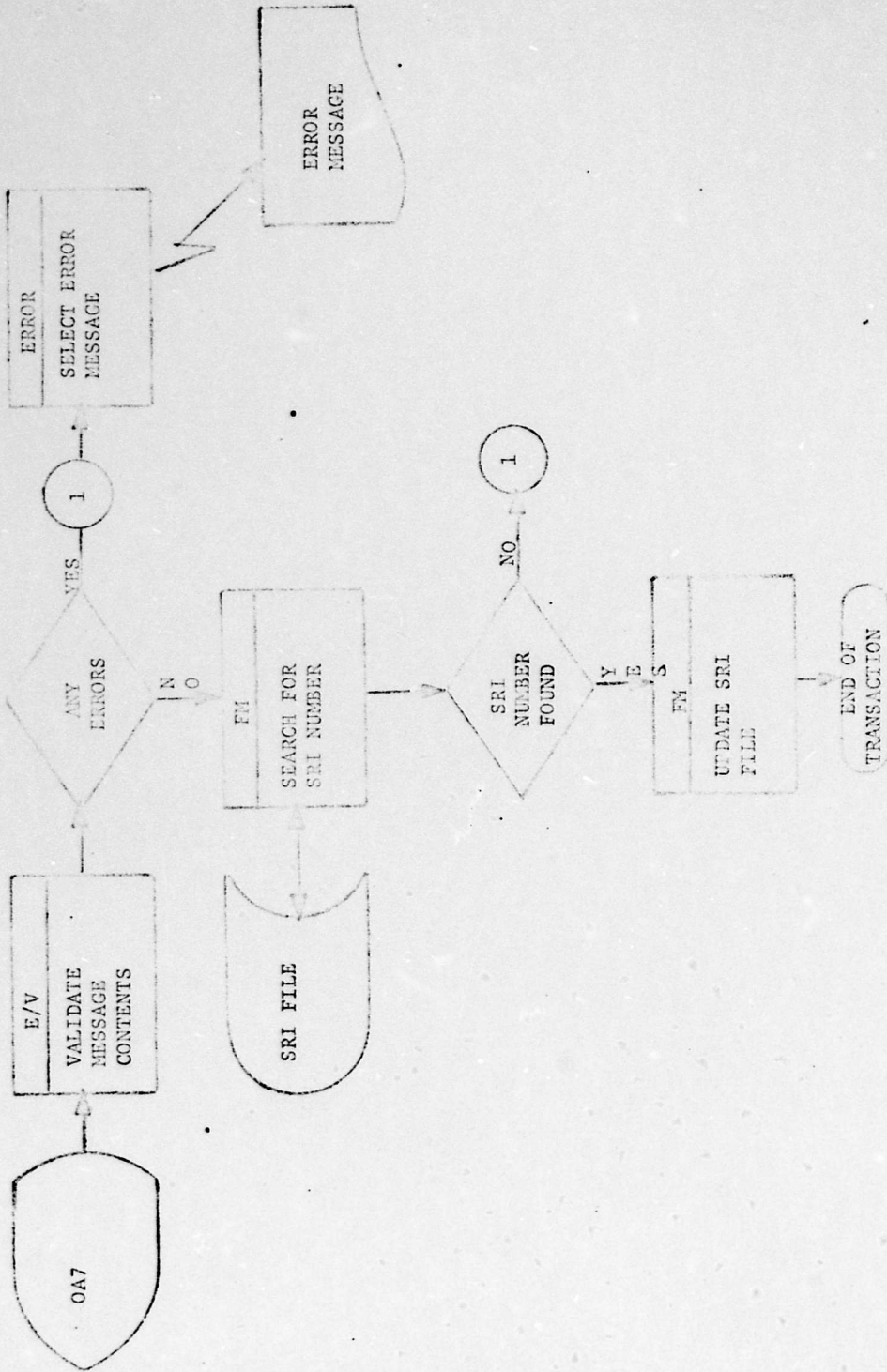


Figure H-28A. SRI Change Message Logic Flow (OA7)

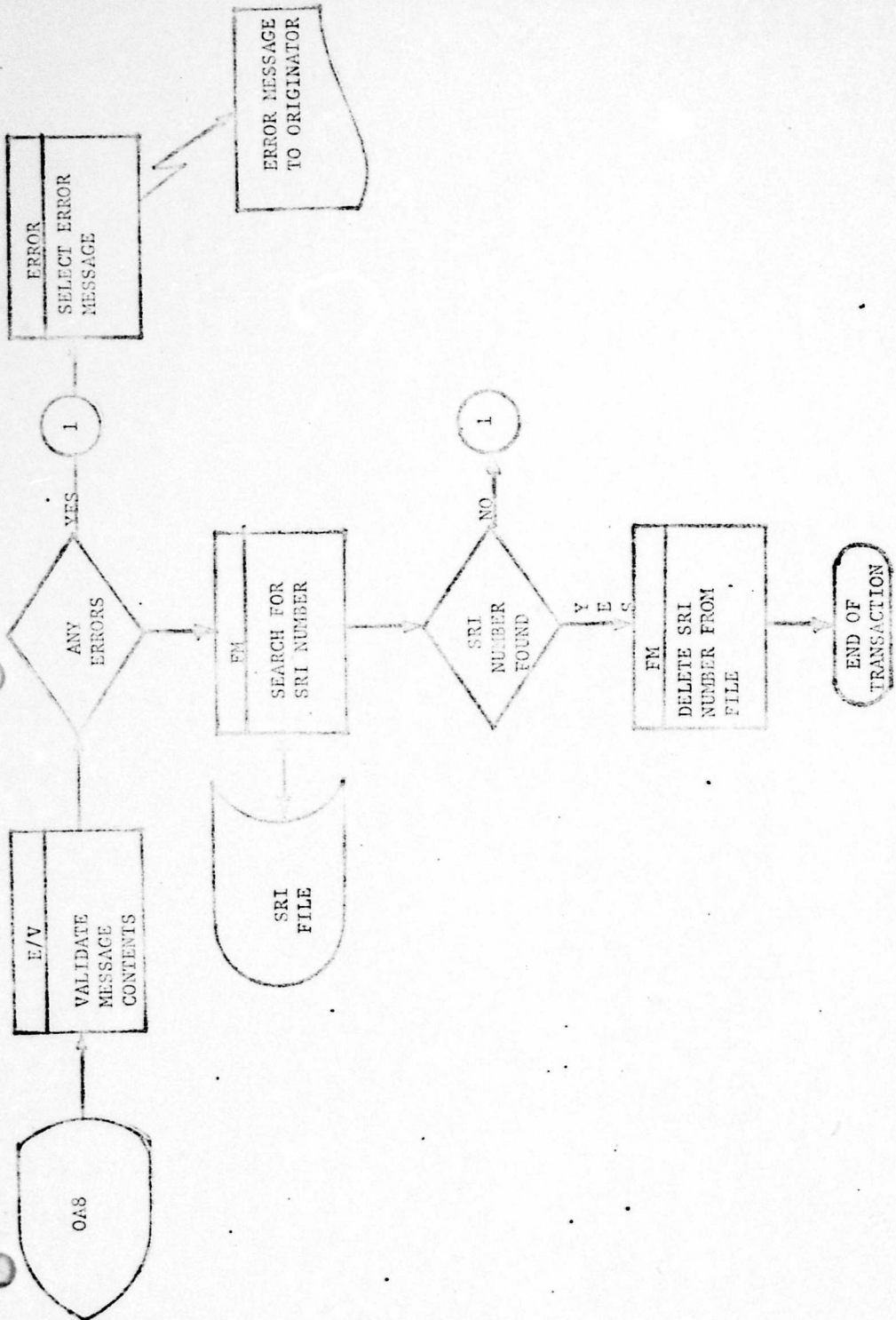


Figure H-29. SRI Delete Logic Flow (OAS)

FOR OFFICIAL USE ONLY

The tables used in the processing of messages for the OB Personality Data file are as follows:

Country Code

Field Name: Unit

Field Name: Rank

Field Name: Position in Unit

Civilian Education

Physical Characteristics

Character Traits

Political Affiliation

Intelligence Interest

Depending upon the actual situation in the employment of this functional area, these tables are representative and may have to be modified for a particular environment. The E/V tables indicate which tables apply to specific messages.

H-VI-17

FOR OFFICIAL USE ONLY

COUNTRIES OF THE WORLD

Countries of the world are represented by a two character alphabetic code in Standard Data Element 10C-16, Army Regulation 18-12-10, Army Information and Data Systems CATALOG OF INTERIM AND STANDARD DATA ELEMENTS AND CODES SECURITY AND INTELLIGENCE, Headquarters, Department of the Army 1969.

TABLE H-1. COUNTRIES OF THE WORLD.

(1 of 1)

VALUE	CODE
<p>The unit identification of a specific enemy military unit. Four entries are used in UNIT to specifically describe the enemy unit: designation, type, branch, and echelon; in that order. Type and branch are optional when describing an enemy unit; designation and echelon are mandatory.</p> <p><u>Designation</u> - The designation of the enemy unit. Usually a numeric quantity but sometimes a proper name. To avoid ambiguity in entries, numeric designations must be expressed entirely in numeric characters. For example, "3" is an acceptable entry but neither "3rd" nor "THIRD" is acceptable. For those units which are designated by a proper name, the first six letters of that name will be given. There are no other restrictions for this entry.</p> <p><u>Type</u> - The type of enemy unit. The designations of known foreign military units often do not contain terms which may be clearly identified as "type" or "branch." For this reason type and branch are both optional when specifying UNIT. Permissible entries are the same for both type and branch (Cavalry [CAV], Brigade [BDE], etc.).</p> <p><u>Branch</u> - The branch of the enemy unit. Since the same entries may be used for either type or branch of unit, branch will be entered first. Type will be entered <u>only</u> if two applicable terms appear in the given enemy unit designation. For example, to describe the 27th Infantry Division "27" is the entry for designation, "DIV" is the entry for echelon (see below), "INF" is the entry for branch, and no entry is made for type. To describe the 27th Mechanized Infantry Division, the entry for type is "MECH" (Mechanized) with all other entries the same as for the 27th Infantry Division.</p> <p><u>Echelon</u> - Echelon of the enemy unit. Entries conform to conventional U. S. Army usage (Division [DIV], Brigade [BDE], etc.). EXAMPLE: UNIT/423/MTZ/RIFLE/DIV: The enemy unit defined is the 423rd (423) Motorized (MTZ) Rifle (RIFLE) Division (DIV).</p>	

TABLE H-2. FIELD NAME: UNIT

VALUE	CODE
BRANCH/TYPE	
Administrative	ADMIN
Air	AIR
Airborne	ABN
Airborne Rocket Launcher	ABNRL
Air Defense	AD
Airfield Antiaircraft	AFLDAA
Air Observation	AOBSN
Alert Police	ALTPOL
Amphibious	AMPHIB
Amphibious Assault Landing	AMPHAL
Antiaircraft	AA
Antitank	AT
Armored	ARMED
Army	ARMY
Artillery	ARTY
Assault	ASLT
Attack	ATTACK
Aviation	AVN
Bakery	BAKERY
BEPO, East German Alert Police	BEPO
BM-24	BM24
Bomber	BOMBER
Border	BORDER
Border Guard	BRDGRD
Bridge	BRIDGE
Brigade	BDE
Cavalry	CAV
CBR	CBR
Chemical	CML
Chemical Defense	CMLDEF
Chemical Warfare	CMLWAR
Civilian	CIVIL
Coast	COAST
Coastal Defense	CSTDEF
Combat	COMBAT
Combat Support	CBTSPT
Communication	COMMO
Communication Electronics	COMMEL
Construction	CONST
Corps	CORPS
Defense	DEFENSE
Division	DIV

TABLE H-2. FIELD NAME: UNIT

(2 of 6)

H-VI-20

FOR OFFICIAL USE ONLY

VALUE	CODE
Engineer	ENGR
Fighter	FIGHTER
Finance	FINANC
Frog	FROG
Frontier Guards	FRNTGD
Frontier Troop	FRNTRP
Guards	GUARDS
Guards Antiaircraft	GDSAA
Guards Medium Tank	GDSMT
Guards Motorized	GDSMTR
Guards Selfpropelled	GDSSP
Gun	GUN
Headquarters	HQ
Heavy	HEAVY
Heavy Antiaircraft	HAA
Helicopter	HEL
Honor Guard	HNGRD
Howitzer	HOW
Independent	INDEP
Infantry	INF
Intelligence	INTEL
Interior Guard	INTGD
KBW, Polish Security Forces	KBW
Labor	LABOR
Labor Troops	LBRTRP
Light	LIGHT
Logistic	LOGIST
Machine Gun	MG
Maintenance	MAINT
Mechanized	MECH
Medical	MEDIC
Medium	MEDIUM
Medium Tank	MTANK
Military	MIL
Military Police	MP
Missile	MSL
Mixed	MIXED
Mortar	MORTAR
Motor	MOTOR
Motorized	MTZ
Motor Transport	MT
Mountain	MTN

TABLE H-2. FIELD NAME: UNIT

(3 of 6)

H-VI-21

VALUE	CODE
National Peoples	NP
Naval	NAVAL
NVA, East German National Peoples Army	NVA
Observation	OBSERV
Ordnance	ORD
Parachute	PRCHT
Paramilitary	PARMIL
Pontoon Bridge	PONBRIG
Proletarian	PROL
PS, Czechoslovakian Broder Guard	PS
Pursuit	PUR
Quartermaster	QM
Radar	RADAR
Radio	RADIO
Radio Intelligence	RDOINT
Railroad	RAILRD
Railway	RY
Railway Construction	RYCONS
Reconnaissance	RYCONS
Repair	REPAIR
Rifle	RIFLE
River Patrol	RIVRPTL
Rocket	ROCKET
Rocket Launcher	RL
SAM, Surface-to-Air Missile	SAM
Sapper	SAPPER
Scud	SCUD
Security	SCTY
Security Forces	SCYFRC
Security Guard	SCYGD
Security Troops	SCYTRP
Self Propelled	SP
Service	SERVICE
Signal	SIGNAL
Special	SPEC
SSM-Scud	SSM
Supply	SUPPLY
Support	SPT
Tank	TANK
Technical	TECH
Towed	TOWED
Training	TNG
Transportation	TRANSP
Truck	TRUCK

TABLE H-2. FIELD NAME: UNIT

(4 of 6)

H-VI-22

FOR OFFICIAL USE ONLY

VALUE	CODE
VS, Czechoslovakian Interior Guard	VS
Weather	WEATHR
Weapon	WPN
WOP, Polish Border Guard	WOP
CATEGORY	
Adjutant General	ADJ
Armor	ARMD
Army Intelligence Service	MI
Army Nurse Corps	NURSE
Artillery	ARTY
Chaplain	CHAP
Chemical	CML
Dental	DENTAL
Engineer	ENGR
Finance	FINANC
Infantry	INF
Medical and Medical Service	MEDIC
Military Police	MP
Ordnance	ORD
Signal	SIGNAL
Staff Judge Advocate	JAG
Transportation	TRANSP
Quartermaster	QM
Veterinarian	VET
Women Army	WAC
ECHELON	
Air Army	AIRAMY
Air Force	AIREOR
Army	ARMY
Army District	ARDIST
Army Group	ARMYGP
Army Artillery	ARARTY
Battalion	BN
Battery	BTRY
Brigade	BDE
Brigade Artillery	BDARTY
Center	CENTER
Command	COMD
Company	CO
Corps	CORPS
Corps Artillery	COARTY

TABLE H-2. FIELD NAME: UNIT

(5 of 6)

VALUE	CODE
Detachment	DET
District	DIST
Division	DIV
Division Artillery	DVARTY
Element	ELM
Field Army	FLDAMY
Fleet	FLEET
Flotilla	FLOTIL
Group	GP
Headquarters	HQ
Hospital	HOSP
Military District	MILDIS
Ministry of Defense	MINDEF
Otryad	OTRYAD
Platoon	PLAT
Regiment	REGT
Region	REGION
Section	SEC
Shop	SHOP
Squad	SQUAD
Squadron	SQDN
Task Force	TASKFOR
Theater Army	THEAMY
Troop	TROOP
Unit	UNIT

TABLE H-2. FIELD NAME: UNIT

(6 of 6)

VALUE	CODE
Generalissimo	GENIMO
General of the Army	GA
Marshall	MARSH
General	GEN
Marshall of Artillery	MARSHA
Army General	ARMGEN
Colonel General	COLGEN
Lieutenant General	LTG
Major General	MG
Brigadier General	BG
Colonel	COL
Sub Colonel	SUBCOL
Lieutenant Colonel	LTC
Major	MAJ
Captain	CPT
Senior Lieutenant	SRLT
First Lieutenant	LLT
Lieutenant	LT
Second Lieutenant	2LT

TABLE H-3. FIELD NAME: RANK

(1 of 1)

H-VI-25

FOR OFFICIAL USE ONLY

VALUE	CODE
Commander	COM
Deputy Commander	DCØ
Chief of Staff	CØS
Executive Officer	EXØ
Intelligence/Security Officer	G2Ø
Operations/Plans Officer	G3Ø
Political Officer	PØF
Other	ØTH

TABLE H-4. FIELD NAME: POSITION IN UNIT

(1 of 1)

FOR OFFICIAL USE ONLY
VALUE

VALUE	CODE
Item Air Vehicles Armor Artillery General Vehicles Personnel	AIR-VEH ARMOR ARTY GEN-VEH PERS
Status Effective TO&E	EFF TOE
Relational Operator Less than Less than or equal Equal Greater than Greater than or equal	LT LE GE GT GE
Quantities Some percentage of the appropriate items, i.e., personnel, artillery, etc.	

TABLE H-5. FIELD NAME: P-E STATUS

(1 of 1)

H-VI-27

FOR OFFICIAL USE ONLY

VALUE	CODE
<p>Category-Echelon in a code used to retrieve information on enemy units by specifying their echelon and/or branch. Four entries; nation, category, a relational operator, and echelon complete this item.</p>	
<p>Nation (see NATION)</p>	
<p>Category Adjutant General Armor Army Intelligence Service Army Nurse Corps Artillery Chaplain Chemical Dental Engineer Finance Infantry Medical and Medical Service Military Police Ordnance Signal Staff Judge Advocate Transportation Quartermaster Veterinarian Women Army</p>	<p>AJ ARMD MI NURSE ARTY CHAP CML DENTAL ENGR FINANC INF MEDIC MP ORD SIGNAL JAG TRANSP QM VET WAC</p>
<p>Relational Operator (see RELATIONAL OPERATOR in Table H-5)</p>	

TABLE H-6. FIELD NAME: CAT-ECH

VALUE	CODE
Echelon	
Air Army	AIRAMY
Air Force	AIRFOR
Army	ARMY
Army District	ARDIST
Army Group	ARMYGP
Army Artillery	ARARTY
Battalion	BN
Battery	BTRY
Brigade	BDE
Brigade Artillery	BDARTY
Center	CENTER
Command	COMD
Company	CO
Corps	CORPS
Corps Artillery	COARTY
Detachment	DET
District	DIST
Division	DIV
Division Artillery	DVARTY
Element	ELM
Field Army	FLDAMY
Fleet	FLEET
Flotilla	FLOTIL
Group	GP
Headquarters	HQ
Hospital	HOSP
Military District	MILDIS
Ministry of Defense	MINDEF
Otryad	OTRYAD
Platoon	PLAT
Regiment	REGT
Region	REGION
Section	SEC
Shop	SHOP
Squad	SQUAD
Squadron	SQDN
Task Force	TSKFOR
Theater Army	THEAMY
Troop	TROOP
Unit	UNIT

TABLE H-6. FIELD NAME: CAT-ECH

(2 of 2)

VALUE	CODE
<p>Data extraction permits the user to specify the information on enemy units which is to be included in the query response. There are five entries in DATA which may be used singly or in any combination to list the information required on the enemy unit or units specified. Each entry can specify any one of 14 information item labels which are included in OB Data Input messages.</p>	<p>AIR-VEH ARMOR ARTY CODE- NAME COMBAT- EFF COM- MANDER FPN GEN-VEH LOCATION NICKNAME PARENT PERS UNIT REMARKS</p>

TABLE H-7. FIELD NAME: DATA

(1 of 1)

~~FOR OFFICIAL USE ONLY~~
BACCALAUREATE DEGREE CODE

Two character alphabetic code

AA	ASSOCIATE IN ARTS
AS	ASSOCIATE IN APPLIED SCIENCE
LT	LICENTIATE OF THEOLOGY
BA	BACHELOR OF ARTS
BC	BACHELOR OF CHEMICAL ENGINEERING
CC	BACHELOR OF COMMERCIAL SCIENCE
BD	BACHELOR OF DIVINITY
BE	BACHELOR OF EDUCATION
CE	BACHELOR OF ENGINEERING
BF	BACHELOR OF FINE ARTS
BJ	BACHELOR OF JOURNALISM
BL	BACHELOR OF LAWS
CL	BACHELOR OF LETTERS
CI	BACHELOR OF LITERATURE
BP	BACHELOR OF PHILOSOPHY
BS	BACHELOR OF SCIENCE
DA	BACHELOR OF SCIENCE IN AGRICULTURE
DH	BACHELOR OF SCIENCE IN CHEMICAL ENGINEERING
DE	BACHELOR OF SCIENCE IN CIVIL ENGINEERING
DE	BACHELOR OF SCIENCE IN EDUCATION
DL	BACHELOR OF SCIENCE IN LIBRARY SCIENCE
BT	BACHELOR OF THEOLOGY
MA	MASTER OF ARTS
MB	MASTER OF BUSINESS ADMINISTRATION
ME	MASTER OF EDUCATION
MF	MASTER OF FORESTRY
NF	MASTER OF FOREIGN STUDY
ML	MASTER OF LIBRARY SCIENCE
MM	MASTER OF MUSIC
MP	MASTER OF PUBLIC ADMINISTRATION
MS	MASTER OF SCIENCE
NS	MASTER OF SCIENCE IN BUSINESS ADMINISTRATION

TABLE H-8. CIVILIAN EDUCATION

(1 of 1)

~~FOR OFFICIAL USE ONLY~~

DISTINGUISHING PHYSICAL CHARACTERISTICS CODE

A two character alphabetic code to represent approximately 200 physical disfigurement entries referenced on page D-I-6, Volume II, Functional Area Description for Counterintelligence (U), Hq USACDC, Dec 1968.

TABLE H-9. DISTINGUISHING PHYSICAL CHARACTERISTICS (1 of 1)

HABITS & TRAITS CODE

A two character alphabetic code to represent approximately 100 possible entries referenced on page D-I-5, Volume II, Functional Area Description for Counterintelligence (U), Hq USACDC, Dec 1968.

TABLE H-10. HABITS AND TRAITS

(1 of 1)

H-VI-33

TYPE OF ORGANIZATION CODE

A one character alphanumeric code.

- A ANARCHIST
- C COMMUNIST
- F FASCIST
- L LABOR
- N NATIONALIST
- S SOCIALIST
- O OTHER

TABLE H - 11. TYPE OF ORGANIZATION

(1 of 1)

INTELLIGENCE INTEREST OF PERSONALITY CODE

A two character alphabetic code.

AA	Agent or suspected agent.
AC	Cadre.
CB	Civilian irregular.
CC	Collaborator, including suspect.
CE	Deserter.
EA	Employee, or potential employee of U.S. Forces.
FA	Escapee.
GB	Guerrilla/insurgent, or suspect.
GC	Inmate of concentration camp.
GD	Key order of battle personality.
HA	Military, former-officer.
HB	Military, former-not known to be an officer.
JA	Military-officer.
JB	Military-not known to be an officer.
KA	Military, pseudo-officer.
KB	Military, pseudo-not known to be an officer.
LA	Overt member, or former member, of allied intelligence.
LB	Overt member, or former member, of enemy intelligence.
LC	Overt member, or former member, of friendly intelligence.
LD	Overt member, or former member, of U.S. intelligence.
MA	Paramilitary-officer.
MB	Paramilitary-not known to be an officer.
NA	Political cadre, including suspect.
NB	Prisoner of war.
NC	Refugee.
ND	Repatriated PW.
NF	Target personality.
PA	Underground member including suspect.
PE	Volunteer informant
ZZ	Other

TABLE H-12. INTELLIGENCE INTEREST

(1 of 1)

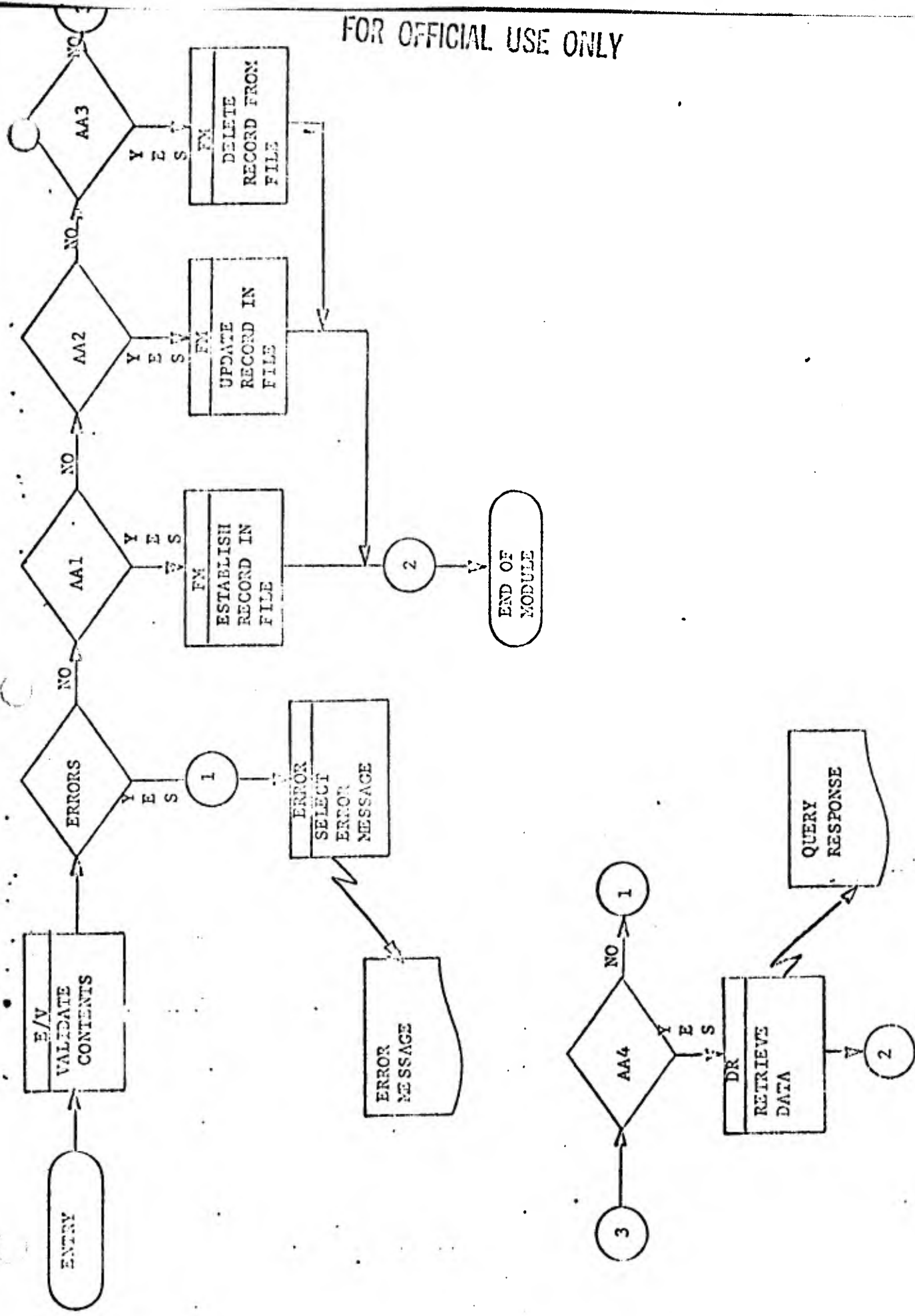


Figure H-12A Named Area of Interest Data Flow.

SECTION VII

FUNCTIONAL AREA LOAD DATA

1. General.

a. Transaction load data and storage requirements have been estimated and are presented in the figures which follow. Transaction loads are given in terms of inputs and outputs of the three systems--division, corps, and Field Army. Transactions in and out of remote computer centers are not reflected, but these statistics could be extrapolated from the data in the charts. Estimates are based on assumed frequencies of activities and events associated with the Order of Battle functional area. The Order of Battle Functional Area Description (FAD) was used as a reference; however, volume and transaction loads contained in the FAD were not precisely applicable since they were based solely on the manual system. New estimates were computed on the basis of developments in the TOS design presented in this annex, the impact of design on file volumes and transaction loads of man/machine procedures, and the changes emanating from the use of STANO devices. The statistical data presented are entirely function and requirement oriented.

b. The Order of Battle (OB) functional area extends into the ENSIT functional area in that the OB function includes the use of the EC6 ENSIT SRI Establish message and related processes. The OB function is completely dependent on the ENSIT files for source data. This use of ENSIT data has been included in the ENSIT FADD (Annex C) load data and has been excluded from the OB load data charts in this annex.

2. Transaction Load Data.

a. The transaction load data are shown in Figures H-30 through H-35. These figures present separately the number of input and output transactions for the division, corps, and Field Army CCC. Outputs include transfers of OB records to other commands and those which constitute responses to queries.

b. Data input to the OB files is limited to the OB analyst at division, corps, and Field Army. Queries of these files may be initiated by any authorized TOS user as shown on the input charts.

3. Data Base Volume. The volume estimates for the OB files are shown in Figure H-36. The number of OB records in the file is based on the number of enemy units opposing the friendly units and the respective areas of interest of each echelon. Hence, file volumes are based on the estimated number of enemy units identified or located and the average length of each record in the file.

DIVISION OUTPUT TRANSACTIONS - CLASSIFICATION

OUTPUT / DAY	ASSG / RECORD LENGTH	093	081	083	084 QUERY RESPONSE	084 QUERY RESPONSE	086	087	088
6370	570	900				1500			100
12		100			177	150	75		20
3			3		13	9			
13					3	2			
14			2		18	10			
24					10	6			
8					24	12			
11			2		10	4	2		2
2			3		6	4	3		3
86		9			3	6			
					58	53	5		5

OB

FOR OFFICIAL USE ONLY

Figure H-31. Division Output Transactions

C

C

CORPS INPUT TRANSACTIONS

CLASSIFICATION:

OB

FOR OFFICIAL USE ONLY

TRANSACTION	DESCRIPTION	INPUT / DAY	AVG MSG / RECORD LENGTH	091	093	094	095	096	097	098
091	OB UNIT DATA INPUT MSG	19,500	280	35	100	2	25	100	16	5
093	OB UNIT DATA DELETE MSG	280	35	100	2	25	100	16	5	3
094	OB PERSONALITY DATA INPUT MSG	3,500	50	40	90	50	75	3,475	200	780
094	OB PERSONALITY QUERY MSG	3,750	50	40	90	50	75	3,475	200	780
094	OB UNIT DATA QUERY MSG	8,190	90	40	90	50	75	3,475	200	780
095	OB PERSONALITY DATA DELETE MSG	400	40	40	90	50	75	3,475	200	780
096	OB UNIT SRI ESTABLISH MSG	5175	75	40	90	50	75	3,475	200	780
097										
098										
TOTAL INPUT		100	8	25	10	91	75	49	5	49

FOR OFFICIAL USE ONLY
II-VI I-4

Figure H-32 Corps Input Transactions

0

Corps Output Transactions

CLASSIFICATION:

OB

CLASSIFICATION	TRANSACTION	NO. OF RECORDS	AVG. LENGTH	TOTAL LENGTH	NO. OF RECORDS	AVG. LENGTH	TOTAL LENGTH	NO. OF RECORDS	AVG. LENGTH	TOTAL LENGTH	NO. OF RECORDS	AVG. LENGTH	TOTAL LENGTH	NO. OF RECORDS	AVG. LENGTH	TOTAL LENGTH	NO. OF RECORDS	AVG. LENGTH	TOTAL LENGTH
	096 RESPONSE	76,350																	
	0A14 RESPONSE	570																	
	0A3																		
	0B1																		
	0B3																		
	0A4 QUERY RESPONSE																		
	0B4 QUERY RESPONSE																		
	0A6																		
	0A7																		
	0A5																		
	TOTAL OUTPUT	134			21			91	75	34	4	24							

FOR OFFICIAL USE ONLY

FOR OFFICIAL USE ONLY

Figure H-33. Corps Output Transactions

CLASSIFICATION:

FIELD ARMY INPUT TRANSACTIONS

OB

	OAI	OAB	OBI	OBA	OBI	OBA	OBI	OBA	OBI	OBA	OBI	OBA	OBI	OBA	OBI	OBA	OBI	OBA	OBI	OBA
INPUT/DAY	12,350	245	1,000	1,000	700	245	135	80	350											
AVG MSG/RECORD LENGTH	190	35	100	40	90	50	75	40	20											
(H) (OB)	65	7	10	5	15	9	8	2	8											
FATOC					2	2														
GR (FDN)					15	9														
CORPS X 2					24	8														
MI GP					4	15														
FASCOAL					8	8														
TIAACOM/TA					10	6														
TOTAL INPUT	65	7	10	5	73	49	18	2	18											

Figure H-34. Field Army Input Transactions

CLASSIFICATION:

FIELD ARMY OUTPUT TRANSACTIONS

OB

OUTPUT / DAY	AUG MSG / RECORD LENGTH	OA1 & RESPONSE	OA3	OB1	OB3	OA4	OB4	OA6	OA7	OA8
51876	570	4300	13800	7350	400	160	20			
16		100	177	150	75					
4			15	9						
20		4	5	3						
26		2	15	9						
6		3	24		8					
11		3	4	15						
8			8	8						
			10	6						
91		12	78	44	8					
TOTAL OUTPUT										

FOR C. FORM USE ONLY

Figure II-35. Field Army Output Transactions

FOR OFFICIAL USE ONLY

	<u>DIV</u>	<u>CORPS</u>	<u>ARMY</u>
OB Unit File	126,700	66,457	52,150
OB Personality File	159,400	82,280	65,560
OB SRI File	7,104	25,725	18,900
	<hr/>	<hr/>	<hr/>
TOTAL STORAGE REQ. IN CHARACTERS	293,204	174,462	136,610

FIGURE H-36. Order of Battle File Size Estimates

II-VII-8

FOR OFFICIAL USE ONLY

UNCLASSIFIED

US Army Computer Systems Command
Fort Belvoir, Virginia 22060

UNCLASSIFIED

REPORT TITLE

Tactical Operations Systems, Basic System Description
Annex H, Order of Battle

4. DESCRIPTIVE NOTES (Type of report, include date)

Final Report

5. AUTHOR(S) (Full name, rank or title, last name)

6. REPORT DATE

October 1970

7a. TOTAL NO. OF PAGES

95

7b. NO. OF REFS

8a. CONTRACT OR GRANT NO.

DAAK02-68-C-0509, BRC

b. PROJECT NO.

c.

d.

9. ORIGINATOR'S REPORT NUMBER(S)

95. COVER SHEET NOTES (Any other number that may be used in reports)

10. DISTRIBUTION STATEMENT

Each transmittal of this document outside the Department of Defense must have prior approval of US Army Computer Systems Command.

11. SUPPLEMENTARY NOTES

12. MONITORING MILITARY ACTIVITY

13. ABSTRACT

The Basic System Description (BSD) is a basic system specification for the Tactical Operations System (TOS). TOS is an ADP system being developed to support Tactical Army Commanders in the 1975-1980 time frame. The Technical Summary of the BSD provides a general description of the TOS. Annex H supports the Technical Summary and is restricted to the functional application of enemy Order of Battle at division, corps and field army echelons. The Order of Battle application supports intelligence staff in their analysis and interpretation of intelligence information. It encompasses the past and present identification, subordination, organization, command, location and combat effectiveness of enemy units. It also includes essential biographic and descriptive data on associated enemy personnel. Annex H defines the data base, input and output formats, and transaction processing and estimates transaction loads and data base volumes. This application interfaces with Enemy Situation (Annex C) and Intelligence Collection Management (Annex D).

UNCLASSIFIED

Security Classification

UNCLASSIFIED

REF ID	CLASSIFICATION		EXEMPTION		AUTHORITY	
	FOUO	SECRET	W	EX	FOUO	SECRET
Tactical Operations System						
TOS						
Automatic Data Processing System						
Military computer						
Automated files						
System description						
Basic System Specifications						
Functional application						
Field Army						
Division						
Design Concept						
Data base description						
Input/Output description						
Transaction processing						
Functional area load data						
Intelligence production						
Enemy unit location						
Enemy unit identification						
Enemy unit organization						
Enemy unit effectiveness						
Enemy biographical data						

UNCLASSIFIED

Authority Classification