

N-18662.13-A.3

~~SECRET~~

~~SECRET~~ UNCLASSIFIED

~~N~~
~~Q~~ N
N-18662.13-A.3

CLASSIFIED BY USCAC
SUBJECT TO DECLASSIFICATION
SCHEDULE OF EXECUTIVE ORDER 11652
AUTOMATICALLY DOWNGRADED AND TWO YEAR
INTERVALS DECLASSIFIED ON DEC. 31 1968.

REGRADED **UNCLASSIFIED**
BY AUTHORITY OF Sp 4 Stunt
BY B. Foster
ON 22 Dec 72

Sp 4

~~SECRET~~

N-18662.13-A.3

HEADQUARTERS
UNITED STATES CONTINENTAL ARMY COMMAND
FORT MONROE, VIRGINIA

UNCLASSIFIED

28 DEC 1960

ATSWD-P 322 (Div)

SUBJECT: Reorganization of Infantry and Armored Divisions and
Creation of a Mechanized Division (U)

TO: Commandant, US Army Command and General Staff College
✓ Commandant, US Army Infantry School
Commandant, US Army Artillery and Missile School
Commandant, US Army Armor School

WSCAC

INTERVALS 31 1968

1. At Inclosure 1 is letter from the Vice Chief of Staff, Department of Army, directing this headquarters, as a matter of priority, to undertake a study to develop the optimum infantry, mechanized and armored division organizations for the 1961-65 period.
2. The study will be accomplished at this headquarters. Primary responsibility has been assigned to the Combat Developments Section. (Plans Division, 7128/21179/21175/21113).
3. It is anticipated that addressees will be called upon for assistance in accomplishing the task. The exact nature and extent of such assistance has not yet been determined, but will be announced as early as possible after 5 January 1961.
4. For planning purposes, it can be expected that a representative of each of the four addressee schools will be requested to visit this headquarters for 2-3 days TDY to discuss the then current status of this project about 24 January 1961. School Commandants will be briefed on the tentative final proposals at this headquarters on or about 7 February 1961. Costs of TDY travel will be borne by respective schools.
5. For information only at this time, at Inclosure 2 are outline charts now under consideration by the Commanding General. These are considered to conform, in broad outline, to the guidance contained in the attached letter and furnished verbally to the Commanding General by the Vice Chief of Staff. Changes of major significance are not anticipated. However, considerably more detailed development will be required.
6. It is desired that no publicity be given this project. Until further notice, information concerning it should be restricted to the

UNCLASSIFIED

DECLASSIFIED BY [REDACTED] ON [REDACTED]
UNCLASSIFIED AUTHORITY [REDACTED]
DOD DIR 5200.10

CGSC CR No. 100-1023
Copy No. 2

[REDACTED]

Incl. #1

SS-541-60

Doc 481-60

134915

28 DEC 1960

ATSWD-P 322 (Div)

SUBJECT: Reorganization of Infantry and Armored Divisions and
Creation of a Mechanized Division (U)

minimum number of Army agencies and personnel essential to its study
development and completion.

FOR THE COMMANDER:



L. L. DOAN
Major General, GS
Chief of Staff

2 Incls.

1. Cy of Ltr, OCofS,
DA, CS 320(13Dec60),
dtd 16Dec60, subj as
abv
2. 30 Outline Orgn Charts

~~CONFIDENTIAL~~
HEADQUARTERS, US CONTINENTAL ARMY COMMAND
Fort Monroe, Virginia

28 DEC 1960

ATSWD-P 322 (Div)

SUBJECT: Reorganization of Infantry and Armored Divisions and
Creation of a Mechanized Division (U)

TO: Commandant, US Army Command and General Staff College
Commandant, US Army Infantry School
Commandant, US Army Artillery and Missile School
Commandant, US Army Armor School

1. At Inclosure 1 is letter from the Vice Chief of Staff, Department of Army, directing this headquarters, as a matter of priority, to undertake a study to develop the optimum infantry, mechanized and armored division organizations for the 1961-65 period.

2. The study will be accomplished at this headquarters. Primary responsibility has been assigned to the Combat Developments Section. (Plans Division, 7128/21179/21175/21113).

3. It is anticipated that addressees will be called upon for assistance in accomplishing the task. The exact nature and extent of such assistance has not yet been determined, but will be announced as early as possible after 5 January 1961.

4. For planning purposes, it can be expected that a representative of each of the four addressee schools will be requested to visit this headquarters for 2-3 days TDY to discuss the then current status of this project about 24 January 1961. School Commandants will be briefed on the tentative final proposals at this headquarters on or about 7 February 1961. Costs of TDY travel will be borne by respective schools.

5. For information only at this time, at Inclosure 2 are outline charts now under consideration by the Commanding General. These are considered to conform, in broad outline, to the guidance contained in the attached letter and furnished verbally to the Commanding General by the Vice Chief of Staff. Changes of major significance are not anticipated. However, considerably more detailed development will be required.

6. It is desired that no publicity be given this project. Until further notice, information concerning it should be restricted to the

1960 CII No. *H661622*
Copy No. *2*

Inclosure #1
134915

~~CONFIDENTIAL~~
UNCLASSIFIED

23 DEC 1960

ATSWD-P 322 (Div)

SUBJECT: Reorganization of Infantry and Armored Divisions and
Creation of a Mechanized Division (U)

minimum number of Army agencies and personnel essential to its study
development and completion.

FOR THE COMMANDER:

2 Incls.

1. Cy of Ltr, OCofS,
DA, CS 320(13Dec60),
dtd 16Dec60, subj as

abv

2. 30 Outline Orgn Charts

L. L. DOAN
Major General, GS
Chief of Staff

UNCLASSIFIED ~~CONFIDENTIAL~~



~~SECRET~~

AG-29670

DEPARTMENT OF THE ARMY
OFFICE OF THE CHIEF OF STAFF
WASHINGTON 25, D. C.

~~CONFIDENTIAL~~
DEC 16 1960

CS 320 (13 Dec 60)

UNCLASSIFIED

SUBJECT: Reorganization of Infantry and Armored Divisions and
Creation of a Mechanized Division (U)

TO: Commanding General
United States Continental Army Command
Fort Monroe, Virginia

1. A need exists for review of the Army's divisional organizations to determine their adequacy to meet the requirements of the coming decade. In a broad sense, this need stems from continual changes in the world situation, in the nature of modern warfare, and in the equipment made available by modern technology. The following additional considerations further attest to the need for action at this time:

a. The MOMAR concept ("Modern Mobile Army 1965-1970") has been studied by the Army Staff. While MOMAR is useful as a reference, it does not provide the simplicity, homogeneity, versatility, and flexibility required by the Army for its diverse, world-wide tasks in the coming decade. Therefore, MOMAR will not be pursued further at this time.

b. The current Pentomic infantry division is now approaching its fifth year in the active Army structure. At the time of its adoption, this division was intended by the then Chief of Staff as an interim five-year organization, with its retention or modification thereafter subject to further evaluation. Such reevaluation is now appropriate.

c. The current armored division also is approaching its fifth year in the active Army structure since modification in 1956. The need for its reevaluation parallels that for the infantry division.

d. In order to enhance battlefield mobility and afford a greater degree of protection for our personnel on the atomic battlefield, serious consideration should be given to the creation of a mechanized division. Its organization and equipment should be compatible with those of the infantry and armored divisions.

UNCLASSIFIED

~~SECRET~~

~~CONFIDENTIAL~~

Encl. 1

C9992 Doc 481-60

CGSC CII No. AGC-1123
Copy No. 1 of 1 Copies

134915

157677

CD-7188

~~SECRET~~

~~CONFIDENTIAL~~

UNCLASSIFIED

2. In view of the above, it is directed that a study be undertaken as a matter of priority to develop the optimum infantry, mechanized, and armored division organizations for the 1961-1965 period. The study and recommendations stemming therefrom will be submitted to the Chief of Staff by 1 March 1961. Recommendations will include, as a minimum:

- a. Proposed changes in existing divisional organizations (other than airborne), in detail adequate to identify all organizational elements, major operational implications, and major equipment items,
- b. A phased program for implementation of proposed changes.

3. The study and recommendations will adhere to sound and proven principles of organizing, equipping, and employing land combat forces for modern warfare. The organizations for 1961-1965 will be compatible with those to be developed for the 1965-1970 period under guidance to be furnished by separate correspondence. The additional guidance, assumptions, and criteria to be used in the study are attached.



G. D. BIDDLEMAN

General, United States Army
Vice Chief of Staff

UNCLASSIFIED

~~SECRET~~

~~CONFIDENTIAL~~

~~SECRET~~

UNCLASSIFIED

~~CONFIDENTIAL~~

GUIDANCE FOR DEVELOPMENT OF STUDY ON
REORGANIZATION OF INFANTRY AND ARMORED DIVISIONS AND
CREATION OF A MECHANIZED DIVISION
1961-1965 PERIOD

1. The organizations recommended for adoption will be designed for the full range of nuclear and nonnuclear environments in which Army divisions may be expected to operate in the 1961-1965 period. Divisions must be dual-capable; that is, capable of effective operations in both nuclear and nonnuclear war.
2. The initial study will be limited to infantry, mechanized, and armored divisions. Study of the airborne division will be held in abeyance pending completion of the initial study and decision thereon by the Department of the Army. However, the applicability to the airborne division at a later date of appropriate organizational features recommended for adoption should be considered.
3. The study should consider carefully the need for a certain number of mechanized infantry divisions in the active Army, particularly in USAREUR.
4. The study should analyze comparatively the retention of the battle group in the infantry division versus a return to the battalion concept. Consideration should be given to the desirability of interchangeable battalion-size armor, armored (mechanized) infantry, infantry and artillery units within and between the mechanized, infantry and armored divisions.
5. The study should consider the possibility of using the combat command or similar organization within the mechanized and infantry divisions as an intermediate echelon between the division and the battalion or equivalent unit.
6. The study should assume that the current concepts of the corps and field army will be retained.
7. The study should stress the need for simplicity, homogeneity, and flexibility in the organizations developed.

UNCLASSIFIED

~~SECRET~~

134915

CGSC CTR No. Al-6-16-33
Copy No. 1 of 1 Copies

ED 7077

~~SECRET~~
UNCLASSIFIED

~~CONFIDENTIAL~~

8. The organizations should be designed to utilize the new weapons and equipment now available and expected to be available by calendar year 1965; and should be adaptable without major reorganization to the additional materiel expected to be available through 1970.

9. Consideration should be given to the problems of incorporating air transportability in the organizations recommended for adoption, consistent with their role and with equipment limitations.

10. Military personnel management and training problems should receive full consideration, to include career patterns.

11. While no ceiling is imposed on the total number of personnel or units within divisions, it is expected that the maximum strength of each division will not exceed approximately 15,000.

12. The divisions and the combat groupments subordinate thereto should be adaptable by tailoring to varying environments, varying degrees of mechanization, and varying mobility characteristics. Major subordinate combat groupments -- consisting of variable combinations of armor, infantry (mechanized when appropriate), artillery, and supporting units -- should be reasonably self-contained and capable of semi-independent operations.

2

~~SECRET~~

~~CONFIDENTIAL~~
134915

UNCLASSIFIED

~~FOR OFFICIAL USE ONLY~~

UNCLASSIFIED

SUBSTANCE OF BRIEFING FOR GENERAL POWELL

1030 Hours, ²³16 December 1960

By Colonel George R. Sedberry

Our next step was to design what we thought were the required combat maneuver battalions to build the desired divisions. You will see there are 3 different types of these battalions in the proposed organization. We then developed a common division headquarters and division troops that would be suitable for all divisions. We did the same thing for a command headquarters between the battalion and division, the brigade.

Our battalions were then combined in varying combinations with the common division and brigade to form 3 different TOE divisions: Armored, Mechanized and Infantry.

I will cover the common division base, the common brigade and the 3 types of battalions. Then we will combine these units to form the 3 different TOE divisions.

This slide shows the Common Division Base. The shaded portions show the areas that require simple and slight modification when the division base is used in forming the different divisions. These modifications amount to changing the service support capability to meet the needs of the varying supply and maintenance requirements of the divisions.

We will take a more detailed look at the Reconnaissance Battalion later. I would like to just repeat and emphasize here that this battalion is the same in all divisions.

Note that we do have a Division Artillery Organization. It includes a Headquarters, three 105mm Howitzer Battalions, Self-Propelled, one 155mm

~~FOR OFFICIAL USE ONLY~~
UNCLASSIFIED

CGSC GII No. 460-1023
Copy No. 1 of 1 Copies

Uncl 2

DOC 481-60

~~FOR OFFICIAL USE ONLY~~

UNCLASSIFIED

Howitzer Battalion, Self-Propelled, an 8-inch Howitzer Battalion, Self-Propelled, and a Missile Battalion,

Next, I would like to focus attention on the 3 brigades organic to the division. I repeat that the brigade headquarters and organic brigade troops are the same organization in all divisions and that all divisions have 3 such brigades organic.

The brigade is a tactical headquarters capable of controlling the combat operations of from 2 to 5 attached maneuver battalions.

The brigade has, in addition to its headquarters and service company, an organic reconnaissance troop. In furtherance of our efforts to hold the different types of organizations to a minimum, this reconnaissance troop is identical to the ground reconnaissance troop in the division reconnaissance battalion.

Note that the Division Administrative Support is organized on a division service command basis. Further, the organization is on a functional concept of maintenance, supply, medical support and administration. One point here that is not clear from the chart, the Maintenance Battalion does have the function of supplying its own special commodities consumed in its maintenance function, such as spare parts, tools and like equipment.

I repeat that this service support is organized on the concept that administrative support of the Army in the Field is retained to a maximum degree at echelons above the division.

Finally, this division service command is organized to give it the capability of furnishing support sections to major elements of the division when required for independent or semi-independent operations.

UNCLASSIFIED

~~FOR OFFICIAL USE ONLY~~

~~FOR OFFICIAL USE ONLY~~

This completes our coverage of the Common Division Base.

108 aircraft are included as organic aircraft to the division. There are 8 light observation helicopters in each brigade to be used within the brigade as command reconnaissance and observation aircraft. The air cavalry troop of the reconnaissance squadron has 27 aircraft made up of 17 light observation helicopters and 13 squad carriers, the latter, probably the HU-1D IRIQUOIS type, for conduct of air mobile reconnaissance. Division artillery has 6 aircraft, all small helicopters. The medical battalion has 6 medical evacuation HC-1D helicopters. The balance of 45 aircraft for surveillance, logistical support, tactical support, command and liaison for the division as a whole are in the aviation battalion. These aircraft types include the light helicopter, the HU-1D and the AO-1 MOHAWK. The division aviation battalion also operates the division SD-2 drone system.

Now for the Maneuver Battalions.

There are some characteristics common to all battalions. They are all TOE units. They are administratively and tactically self-sufficient. All battalions are "pure" in their organization, that is they are "pure" tank, mechanized or infantry battalions. As you will note, all battalions are similar in organization.

This is a little closer look at the Common Reconnaissance Squadron organic to all divisions. The significant difference from the reconnaissance squadron of today is the substitution of an air cavalry troop^f or one of the ground reconnaissance troops. Also you will note, as in all organizations, that it has been designed to accept the equipment expected to be available in 1965. Here you see the armored reconnaissance airborne

~~FOR OFFICIAL USE ONLY~~

assault vehicle and the armored command and reconnaissance vehicle - the T-114. The "MPCSW" stands for the multi-purpose close support weapon being developed as the successor to all mortars and the DAVY CROCKETT.

This next Vu-graph shows the Tank Battalion. I would like for you to note that it has 3 tank companies of 3 platoons each. Each platoon has 5 tanks. Here again you note that the organic fire support shows the 4.2 mortar, the DAVY CROCKETT, or the multi-purpose close support weapon. Also this organization can be made into a light tank battalion by substituting the armored reconnaissance airborne assault vehicle for the main battle tank.

This is the Mechanized Battalion. The same organization is used for the infantry battalion. The primary difference is that the mechanized battalion is completely mobile in organic armored vehicles, the "APC".

Note, like the tank battalion, there are 3 companies and a headquarters and service company. We have a more detailed chart of the line company, but here you can see the headquarters and service company. It has a reconnaissance platoon, forward air controller section, a 4.2-inch

~~FOR OFFICIAL USE ONLY~~

UNCLASSIFIED

MORTAR PLATOON, ITS SERVICE ELEMENTS AND A SURVEILLANCE SECTION (RADAR).

THIS IS A LOOK AT THE INFANTRY BATTALION. I SHOW THIS PRIMARILY TO INDICATE THAT THE BATTALION IS COMPLETELY MOTORIZED IN ORGANIC WHEELED VEHICLES OF ONE-SQUAD CAPACITY.

THIS IS A CLOSER LOOK AT THE LINE COMPANY OF THE MECHANIZED OR INFANTRY BATTALION. THERE ARE 3 RIFLE PLATOONS AND A WEAPONS PLATOON IN EACH COMPANY. EACH RIFLE PLATOON HAS 3 RIFLE SQUADS AND A WEAPONS SQUAD. THE RIFLE SQUAD HAS 10 MEN AS SHOWN IN THE CIRCLE ON THE SLIDE. THE WEAPONS SQUAD CONTAINS 2 MACHINE GUNS AND 2 90mm RECOILLESS WEAPONS. THE WEAPONS PLATOON CONTAINS 2 120mm RECOILLESS RIFLES AND 2 MULTI-PURPOSE CLOSE SUPPORT WEAPONS. (THREE 81mm MORTARS UNTIL MPCSW IS AVAILABLE). IN THE MECHANIZED COMPANY, THE HEAVY WEAPONS SHOWN CAN BE FIRED FROM MOUNTED ARMORED VEHICLES OR FROM GROUND MOUNTS.

NOW WE WILL LOOK AT THE COMBINATION OF THESE BATTALIONS, THE BRIGADE AND THE COMMON DIVISION BASE TO CONSTRUCT 3 DIFFERENT TOE DIVISIONS.

AS WE LOOK AT THE DIVISIONS, DO NOT VISUALIZE THEM AS REPLACING ANY CERTAIN ONES IN THE ARMY FORCE STRUCTURE TODAY. AFTER WE HAVE SEEN THE

~~FOR OFFICIAL USE ONLY~~

UNCLASSIFIED

~~TOP SECRET - EYES ONLY~~

UNCLASSIFIED

3 DIVISIONS, WE WILL TAKE A LOOK AT ONE POSSIBILITY FOR A FORCE STRUCTURE
IN 1965.

THIS IS THE ARMORED DIVISION. WE HAVE DISCUSSED ALL ASPECTS OF IT
EXCEPT THE ASSIGNMENT OF 6 TANK BATTALIONS AND 5 MECHANIZED BATTALIONS.
THIS GIVES US A TANK STRENGTH OF 324 MAIN BATTLE TANKS AS COMPARED TO 306
IN TODAY'S ARMORED DIVISION.

THIS IS THE MECHANIZED DIVISION. HERE WE HAVE ASSIGNED 8 MECHANIZED
BATTALIONS AND 3 TANK BATTALIONS. WE FELT THAT SUCH A MOBILE MOUNTED UNIT,
HEAVY IN INFANTRY STRENGTH, WAS REQUIRED IN SOME AREAS WHERE WE NOW EMPLOY
INFANTRY DIVISIONS. NOTE, LIKE THE ARMORED DIVISION, IT HAS 11 COMBAT
MANEUVER BATTALIONS AND A RECONNAISSANCE BATTALION.

FINALLY, THE INFANTRY DIVISION. AGAIN, LIKE THE OTHER TWO DIVISIONS,
WE HAVE THE 11 COMBAT MANEUVER BATTALIONS AND THE RECONNAISSANCE BATTALION.
THE COMBINATION FOR THE INFANTRY DIVISION IS 10 INFANTRY BATTALIONS AND ONE
TANK BATTALION.

THIS COMPLETES OUR ORGANIZATION. THIS NEXT VU-GRAPH SHOWS ONE POSSIBLE
USE OF THESE PROPOSED DIVISIONS IN THE US ARMY FORCE STRUCTURE OF 1965.

~~TOP SECRET - EYES ONLY~~
UNCLASSIFIED

~~FOR OFFICIAL USE ONLY~~

AS I MENTIONED AT THE OUTSET, NO MESS PERSONNEL, KITCHEN TRUCKS
OR ORGANIZATION MESSING EQUIPMENT HAS BEEN INCLUDED IN THE DIVISION.

IN ACTIVE COMBAT SITUATIONS AND ON MANEUVERS, TROOPS WILL USE
INDIVIDUAL OR SMALL UNIT PRE-COOKED AND PACKAGED RATIONS. WHEN THESE
UNITS ARE IN GARRISON, IN REST AREA OR IN QUIET TACTICAL SITUATIONS,
THEY WILL BE FED BY MESS TEAMS FROM AN ARMY QUARTERMASTER FOOD SERVICE
ORGANIZATION. IT IS VISUALIZED THAT SUCH AN ORGANIZATION WOULD MAKE
MAXIMUM USE OF INDIGENOUS PERSONNEL.

~~FOR OFFICIAL USE ONLY~~

UNCLASSIFIED

UNCLASSIFIED

~~TOP SECRET - EYES ONLY~~
ORGANIZATIONAL PRINCIPLES

1. HEADQUARTERS ARE SMALL AS POSSIBLE YET ARE CAPABLE OF SUSTAINED 24-HOUR OPERATIONS.
2. ORGANIZATIONS ARE DESIGNED TO EMPLOY THAT EQUIPMENT EXPECTED TO BE AVAILABLE IN 1965.
3. ORGANIZATIONS AT EACH ECHELON ARE SIMILAR AND AS NEARLY IDENTICAL AS POSSIBLE.
4. TRANSITION WILL BE EVOLUTIONARY RATHER THAN REVOLUTIONARY.
5. A MINIMUM NUMBER OF DIFFERENT TYPES OF ABSOLUTELY ESSENTIAL ITEMS OF WEAPONS AND EQUIPMENT HAVE BEEN INCLUDED IN EACH UNIT.
6. ALL ORGANIZATIONS ARE DUAL CAPABLE AND CAN BE TAILORED AT ANY ECHELON FOR THE TACTICAL OR STRATEGIC SITUATION AND ENVIRONMENT.
7. AT EACH ECHELON, UNITS WILL HAVE ORGANIC THOSE MEANS HABITUALLY REQUIRED TO PERFORM ITS MISSION.
8. ALL DIFFERENT TYPE DIVISIONS HAVE COMMON DIVISION HEADQUARTERS AND DIVISION TROOPS.
9. DIVISIONS ARE TOE ORGANIZATIONS BUT HAVE THE FLEXIBILITY OF BEING TAILORED TO BEST PERFORM THEIR CONTEMPLATED MISSIONS.
10. ORGANIZATION FOR COMBAT IS ROUTINELY ACCOMPLISHED AT BATTALION AND THE NEXT HIGHER ECHELON.

UNCLASSIFIED

~~TOP SECRET - EYES ONLY~~
23 December 1960

WORKING PAPER

UNCLASSIFIED

~~FOR OFFICIAL USE ONLY~~

ORGANIZATIONAL PRINCIPLES (CONT'D)

11. INTEGRATION OF COMBINED ARMS AND ESSENTIAL SERVICES IS ACCOMPLISHED AT THE FIRST ECHELON BELOW DIVISION.
12. ORGANIZATION OF BRIGADE HEADQUARTERS AND BRIGADE TROOPS IS STANDARD IN ALL TYPES OF DIVISIONS.
13. BRIGADE ECHELON IS A TACTICAL HEADQUARTERS TO CONTROL THE OPERATIONS OF ATTACHED COMBAT BATTALIONS.
14. ADMINISTRATIVE SUPPORT UNITS OF THE DIVISION ARE ORGANIZED TO PROVIDE SUPPORT SECTIONS FOR INDEPENDENT OPERATIONS OF MAJOR DIVISION ELEMENTS.
15. WITHIN THE DIVISION, ADMINISTRATIVE SUPPORT IS ORGANIZED ON A FUNCTIONAL BASIS.
16. ADMINISTRATIVE SUPPORT FUNCTIONS ARE RETAINED TO A MAXIMUM DEGREE AT LEVELS ABOVE THE DIVISION TO ALLOW DIVISION AND LOWER ECHELON COMMANDERS TO DEVOTE MAXIMUM ATTENTION TO TACTICAL OPERATIONS.
17. THE BATTALION ECHELON IS THE BASIC MANEUVER ELEMENT OF THE DIVISION.
18. THE BATTALION ECHELON IS TACTICALLY AND ADMINISTRATIVELY SELF-SUFFICIENT.
19. BATTALIONS ARE THE ORGANIZATIONS AND ARE "PURE" IN COMPOSITION.

WORKING PAPER

UNCLASSIFIED

~~FOR OFFICIAL USE ONLY~~

117
~~CONFIDENTIAL~~
UNCLASSIFIED

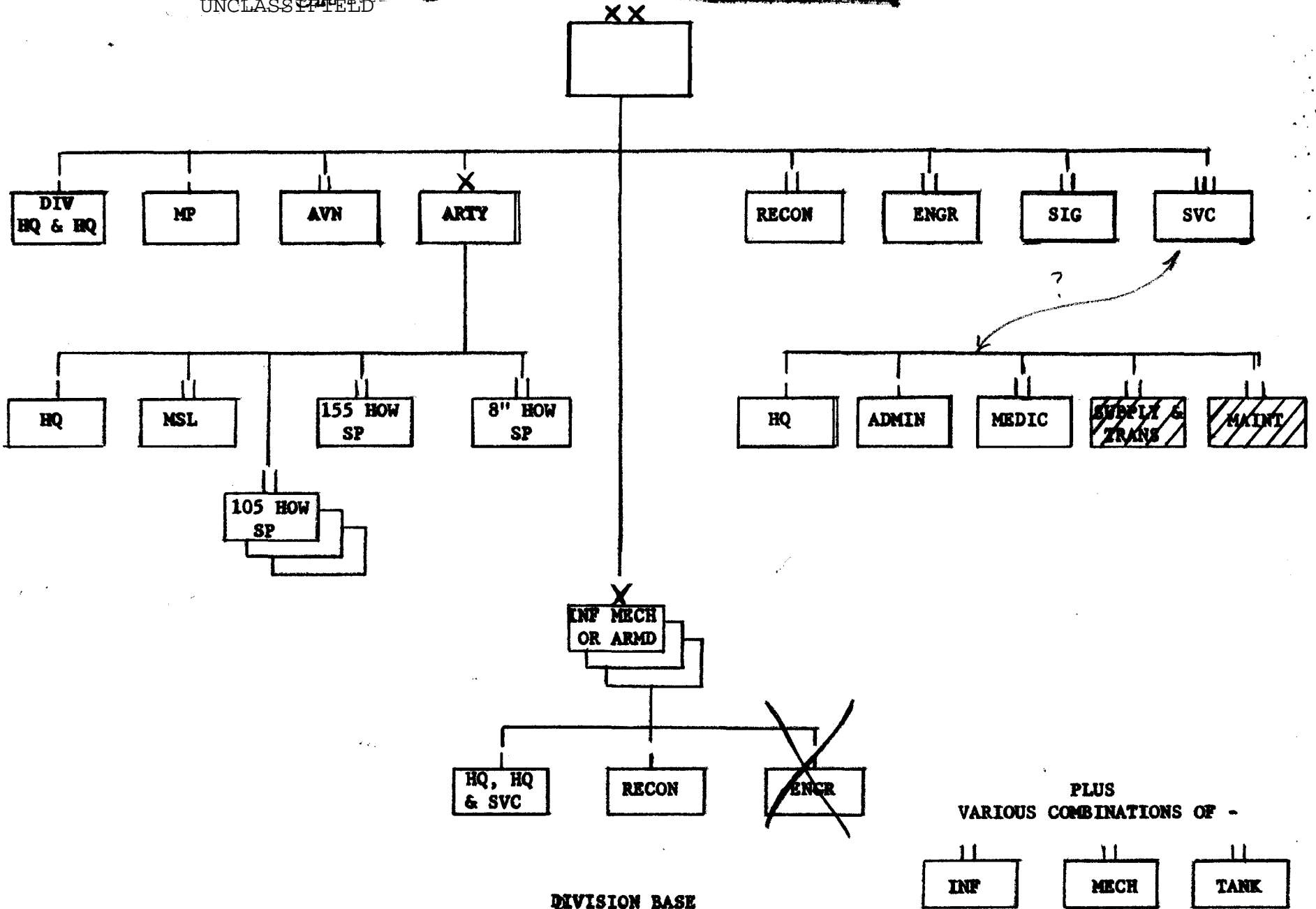
PLANNING SCHEDULE

WORKING PAPER

LETTER TO COMMAND BUILDING	19 DECEMBER
MEETING WITH STAFF	21 DECEMBER
MEETING WITH COMMANDING GENERAL	23 DECEMBER
LETTER OUT TO SCHOOLS (WARNING LETTER)	23 DECEMBER
CONTINUING STAFF MEETINGS, BRING TECH STAFF IN)	23 DECEMBER-4 JANUARY
ASSIGN ASSISTANCE TASK - SCHOOLS AND STAFF)	
BRIEF COMMANDING GENERAL	5 JANUARY
BRIEF VICE CHIEF OF STAFF	10 JANUARY
ADDITIONAL GUIDANCE TO SCHOOLS	12 JANUARY
SERVICE SCHOOL REPRESENTATIVES HERE FOR DISCUSSION	24 JANUARY
FIRST DECISION BRIEFING - CG	2 FEBRUARY
SCHOOL COMMANDANTS BRIEFED	7 FEBRUARY
SECOND MEETING WITH DA STAFF	10 FEBRUARY
ASSISTANCE TASKS COMPLETE	13 FEBRUARY
FINAL DECISION BRIEFING - CG	14 FEBRUARY
TO PRINTER	16 FEBRUARY
SIGNATURE PAPER FOR CG APPROVAL	24 FEBRUARY
COMPLETION	28 FEBRUARY
BRIEF CHIEF OF STAFF, DA	6 MARCH

~~CONFIDENTIAL~~
UNCLASSIFIED

23 December 1960



DIVISION BASE
COMMON TO ALL DIVS

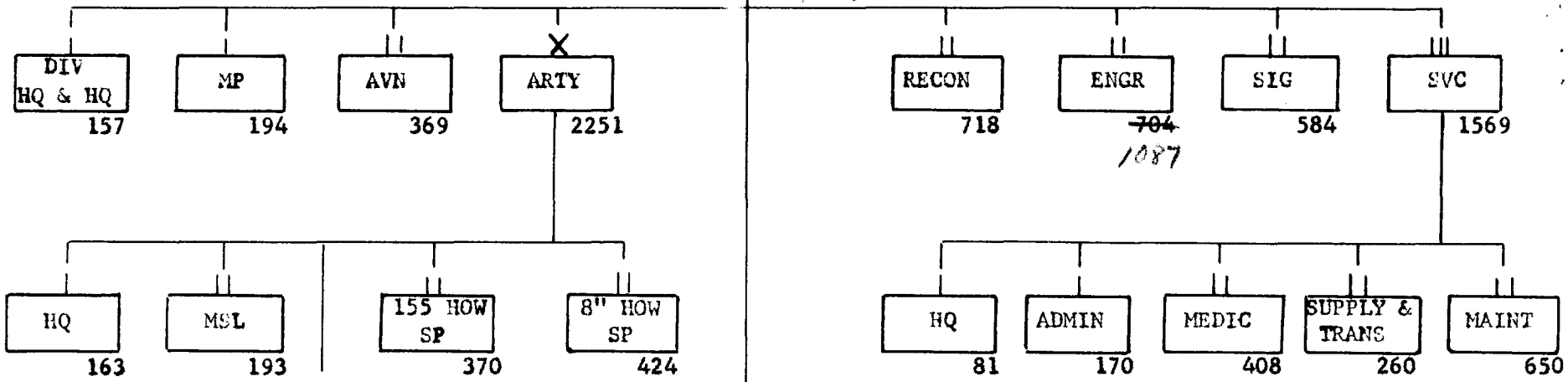
CONFIDENTIAL USE ONLY

WORKING PAPER

UNCLASSIFIED

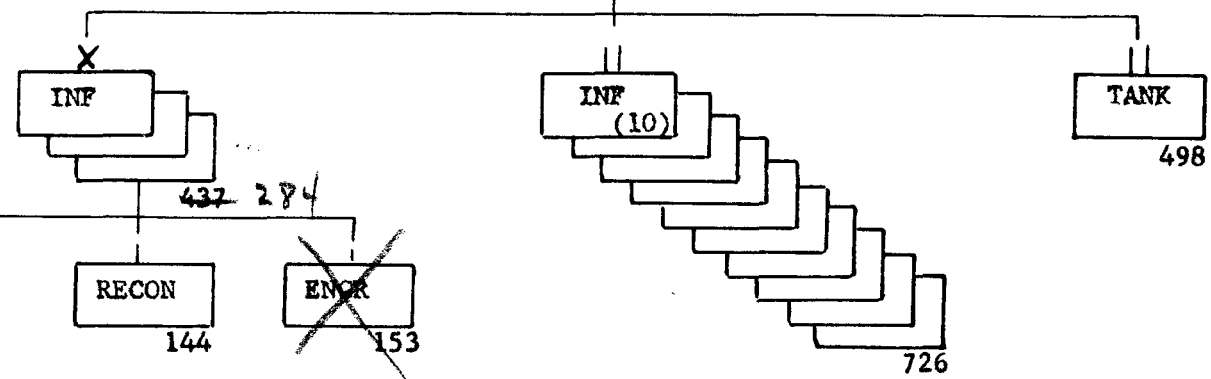
XX
INF

15,615
15,539



MAJOR ITEMS OF EQUIPMENT

- 54 - MBT
- 58 - AR/AAV
- 125 - APC
- 270 - TRUCK, 1-1/4-TON
(RIFLE SQUAD CARRIERS)
- 108 - AIRCRAFT
- 54 - 105mm HOWITZER, SP
- 18 - 155mm HOWITZER, SP
- 12 - 8" HOWITZER, SP
- 4 - MISSILE LAUNCHER



INFANTRY DIVISION

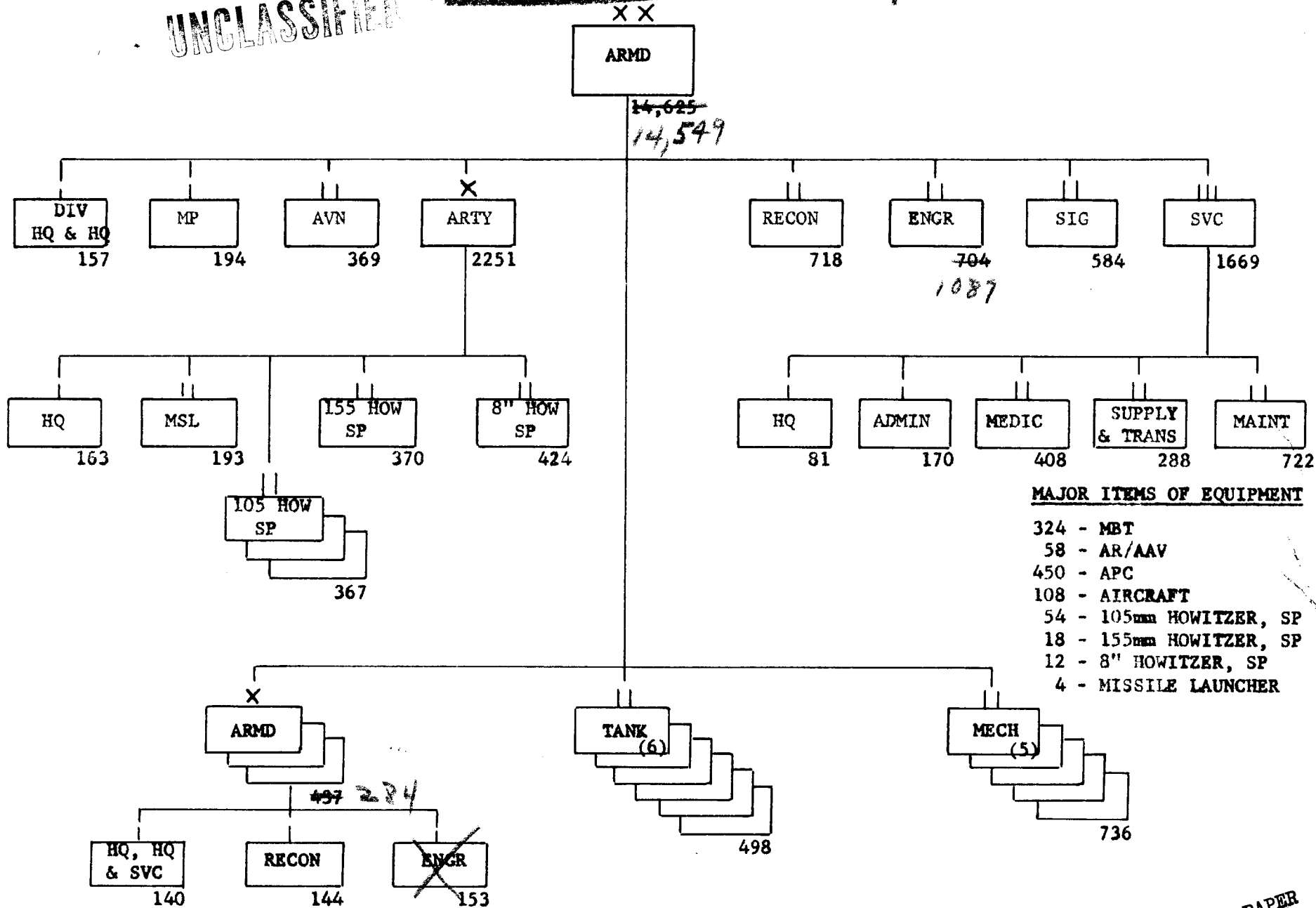
UNCLASSIFIED

WORKING PAPER

23 DECEMBER 1960

UNCLASSIFIED

[REDACTED]



- MAJOR ITEMS OF EQUIPMENT
- 324 - MBT
 - 58 - AR/AAV
 - 450 - APC
 - 108 - AIRCRAFT
 - 54 - 105mm HOWITZER, SP
 - 18 - 155mm HOWITZER, SP
 - 12 - 8" HOWITZER, SP
 - 4 - MISSILE LAUNCHER

ARMORED DIVISION

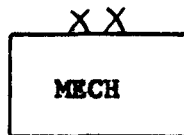
UNCLASSIFIED

[REDACTED]

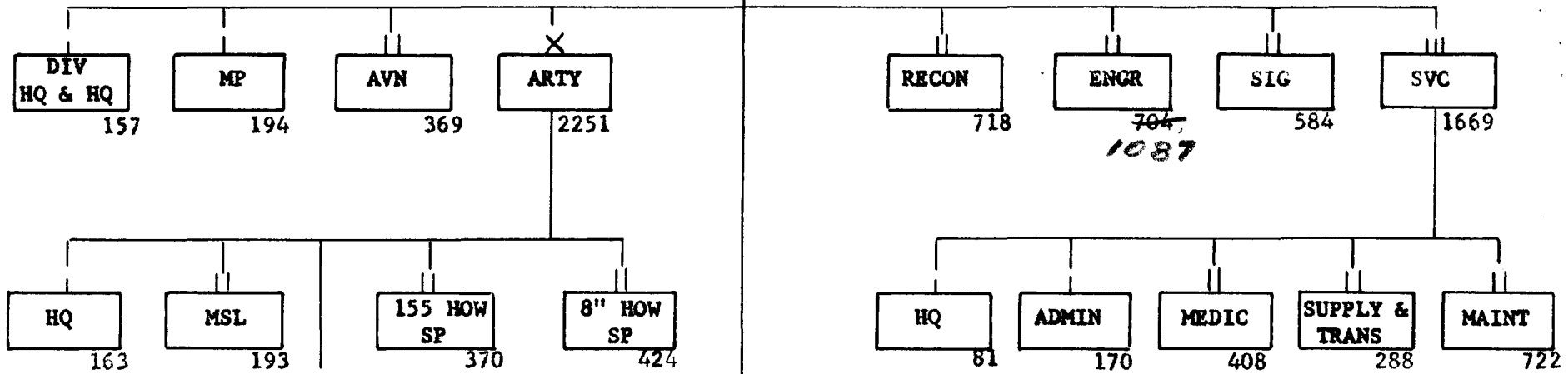
WORKING PAPER

23 DECEMBER 1960

UNCLASSIFIED

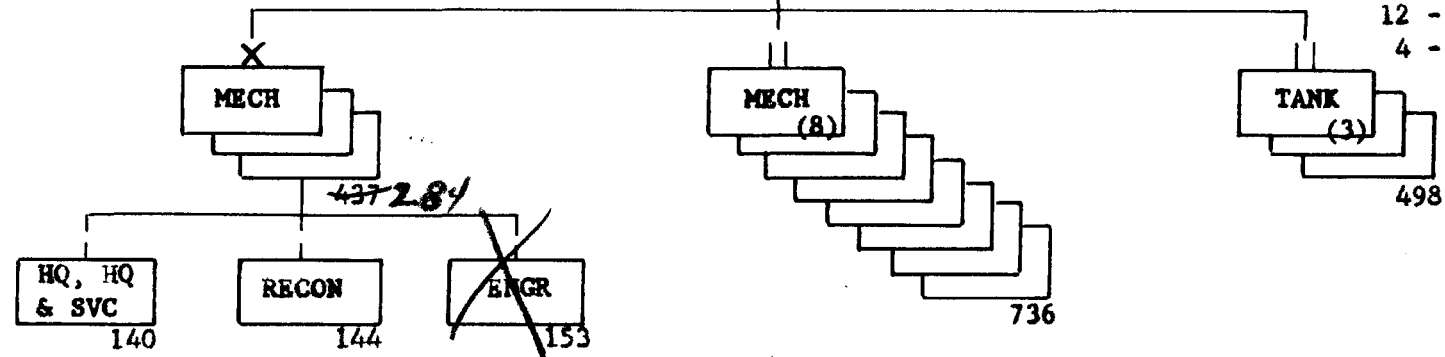


15,339
15,263



MAJOR ITEMS OF EQUIPMENT

- 162 - MBT
- 58 - AR/AAV
- 340 to 690 - APC
- 108 - AIRCRAFT
- 54 - 105mm HOWITZER, SP
- 18 - 155mm HOWITZER, SP
- 12 - 8" HOWITZER, SP
- 4 - MISSILE LAUNCHER



MECHANIZED DIVISION

UNCLASSIFIED

WORKING PAPER

23 DECEMBER 1960

UNCLASSIFIED

[REDACTED]

Possible DIVISION FORCE STRUCTURE

<u>TODAY</u>		<u>1965</u>
	<u>EUROPE</u>	
2 - ARMORED		2 - ARMORED
3 - INFANTRY		3 - MECHANIZED
	<u>PACIFIC - FAR EAST</u>	
3 - INFANTRY		3 - INFANTRY
	<u>UNITED STATES</u>	
1 - ARMORED		1 - ARMORED
3 - INFANTRY		2 - MECHANIZED
2 - AIRBORNE		1 - INFANTRY
		2 - AIRBORNE
	<u>RECAP</u>	
3 - ARMORED		3 - ARMORED
9 - INFANTRY		5 - MECHANIZED
2 - AIRBORNE		4 - INFANTRY
		2 - AIRBORNE

[REDACTED]

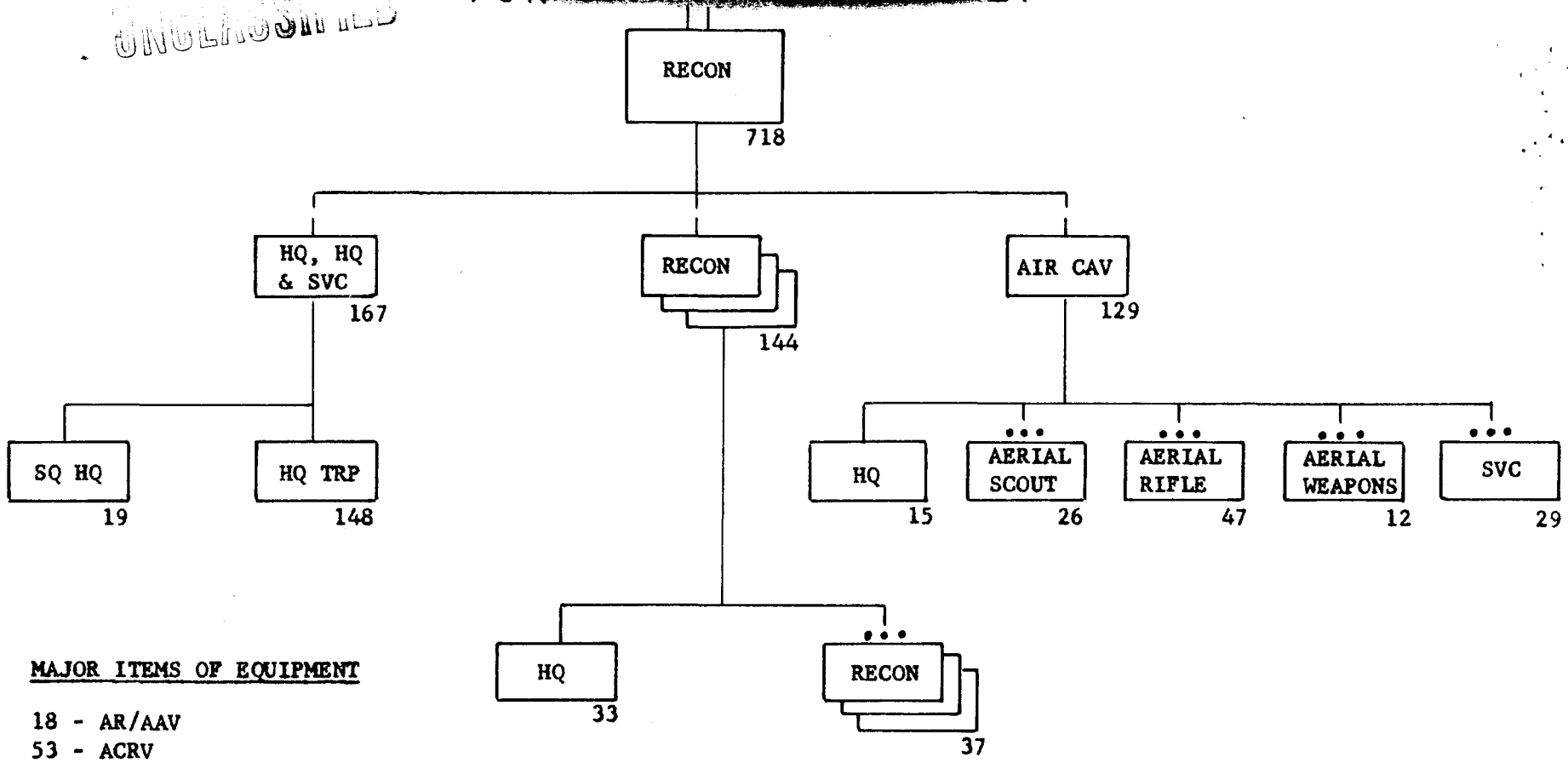
ONE EXAMPLE ONLY!

UNCLASSIFIED

23 December 1960 WORKING PAPER

UNCLASSIFIED

~~TOP SECRET~~



MAJOR ITEMS OF EQUIPMENT

- 18 - AR/AAV
- 53 - ACRV
- 47 - 1/4-TON TRUCK
- 19 - 2-1/2-TON TRUCK
- 21 - APC
- 11 - 8-TON GOER
- 27 - AIRCRAFT
- 13 - 4.2 MORTAR, DC, or MPCSW

WORKING PAPER

RECONNAISSANCE SQUADRON

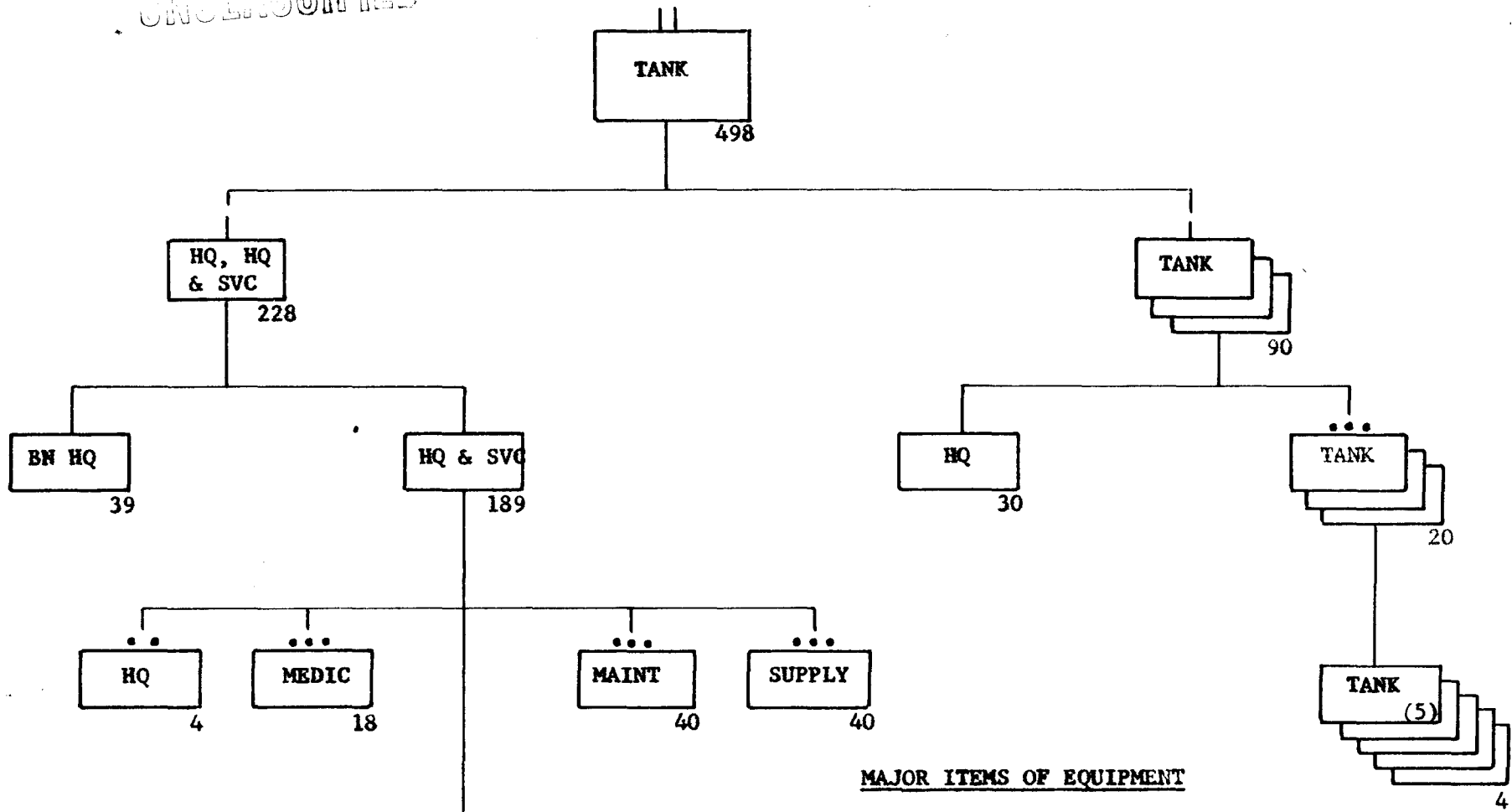
UNCLASSIFIED

~~TOP SECRET~~

23 DECEMBER 1960

UNCLASSIFIED

TOP SECRET - CONFIDENTIAL USE ONLY



MAJOR ITEMS OF EQUIPMENT

- 54 - MBT
- 15 - APC
- 4 - AR/AAV
- 9 - ACRV
- 4 - 4.2 MORT, DC or MPCSW
- 16 - 8-TON GOER
- 5 - RECOVERY VEH
- 3 - AVLB

WORKING PAPER

UNCLASSIFIED

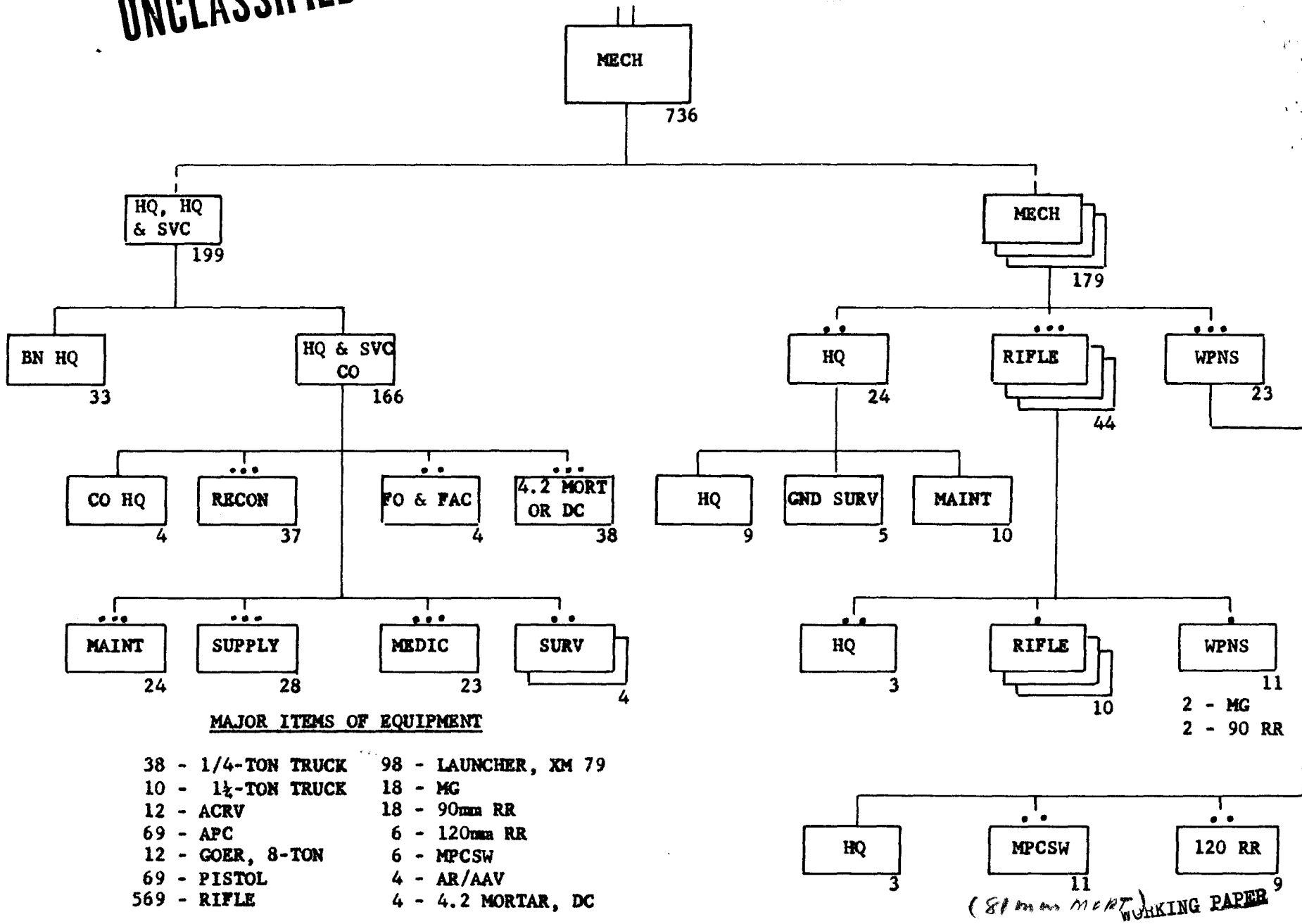
TANK BATTALION

TOP SECRET - CONFIDENTIAL USE ONLY

23 DECEMBER 1960

UNCLASSIFIED

~~CONFIDENTIAL~~



MAJOR ITEMS OF EQUIPMENT

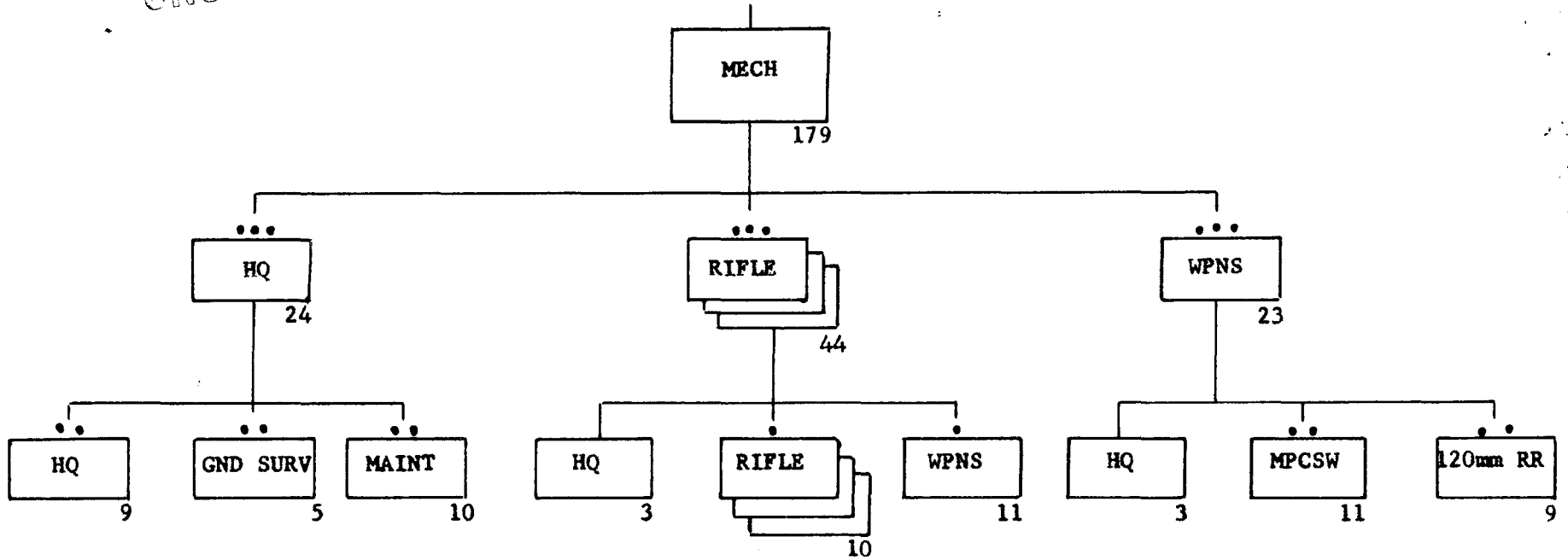
- | | |
|--------------------|----------------------|
| 38 - 1/4-TON TRUCK | 98 - LAUNCHER, XM 79 |
| 10 - 1½-TON TRUCK | 18 - MG |
| 12 - ACRV | 18 - 90mm RR |
| 69 - APC | 6 - 120mm RR |
| 12 - GOER, 8-TON | 6 - MPCSW |
| 69 - PISTOL | 4 - AR/AAV |
| 569 - RIFLE | 4 - 4.2 MORTAR, DC |

MECHANIZED BATTALION

~~CONFIDENTIAL~~

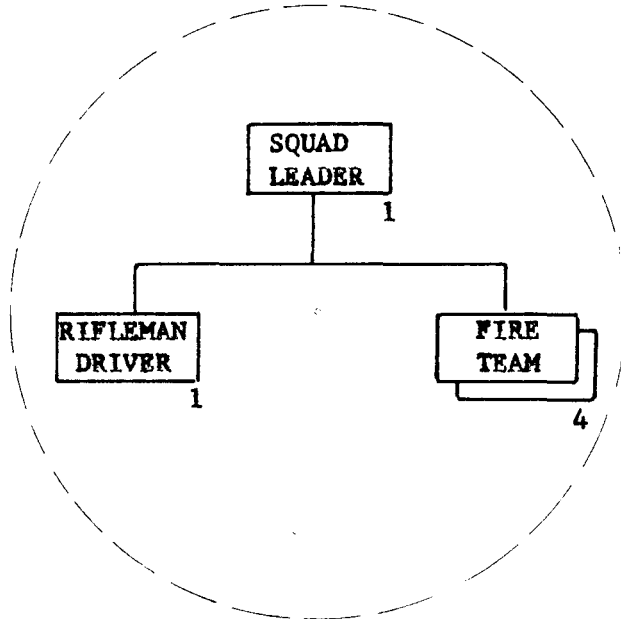
UNCLASSIFIED

23 DECEMBER 1960



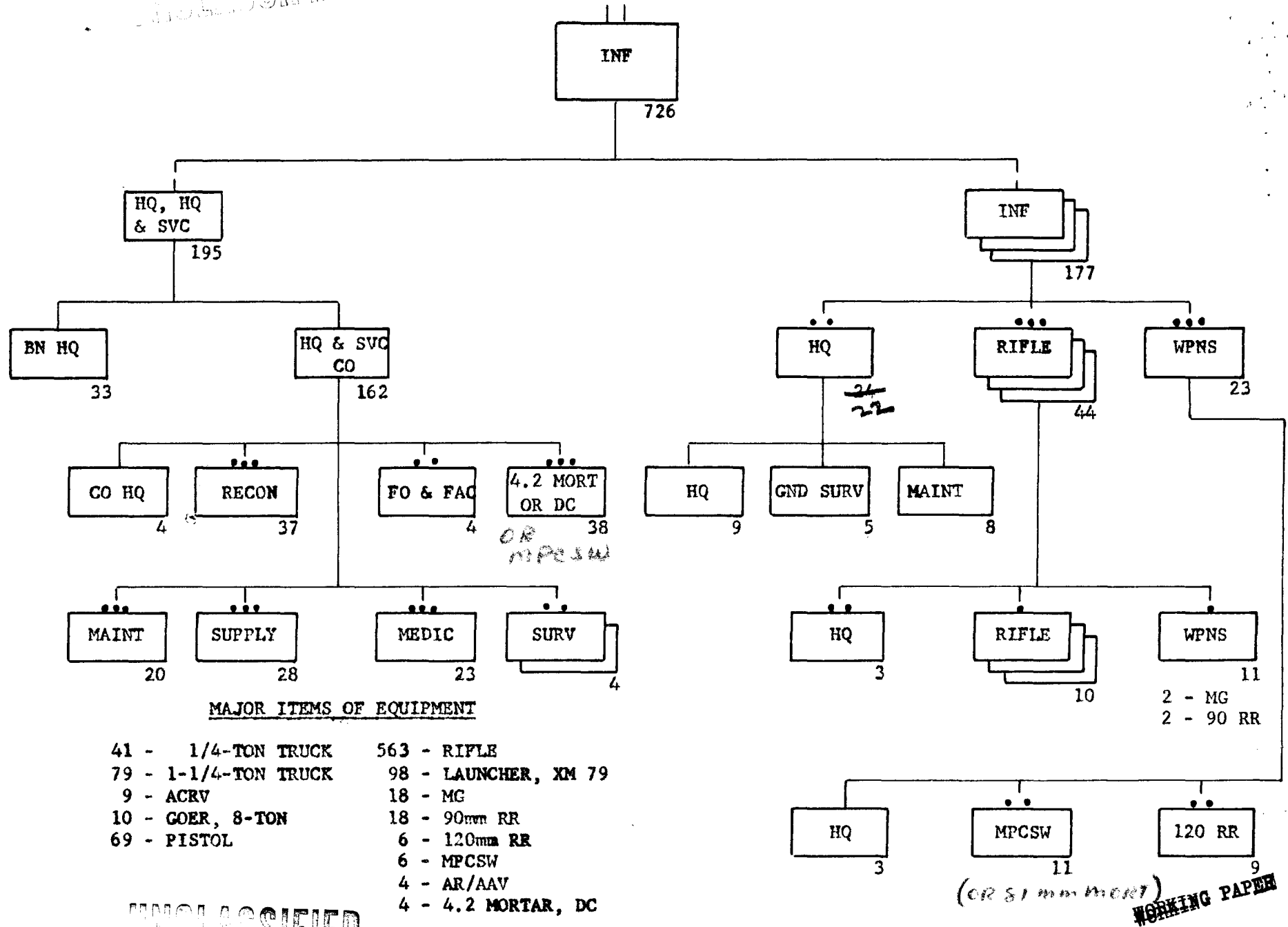
MAJOR ITEMS OF EQUIPMENT

- 17 - PISTOL
- 136 - RIFLE
- 26 - LAUNCHER, XM 79
- 6 - MG (exclude veh mtd)
- 6 - 90mm RR
- 2 - MPCSW
- 2 - 120mm RR
- 18 - APC
- 1 - ACRV
- 6 - 1/4-TON TRUCK
- 2 - 1-1/4-TON TRUCK



WORKING PAPER

UNCLASSIFIED

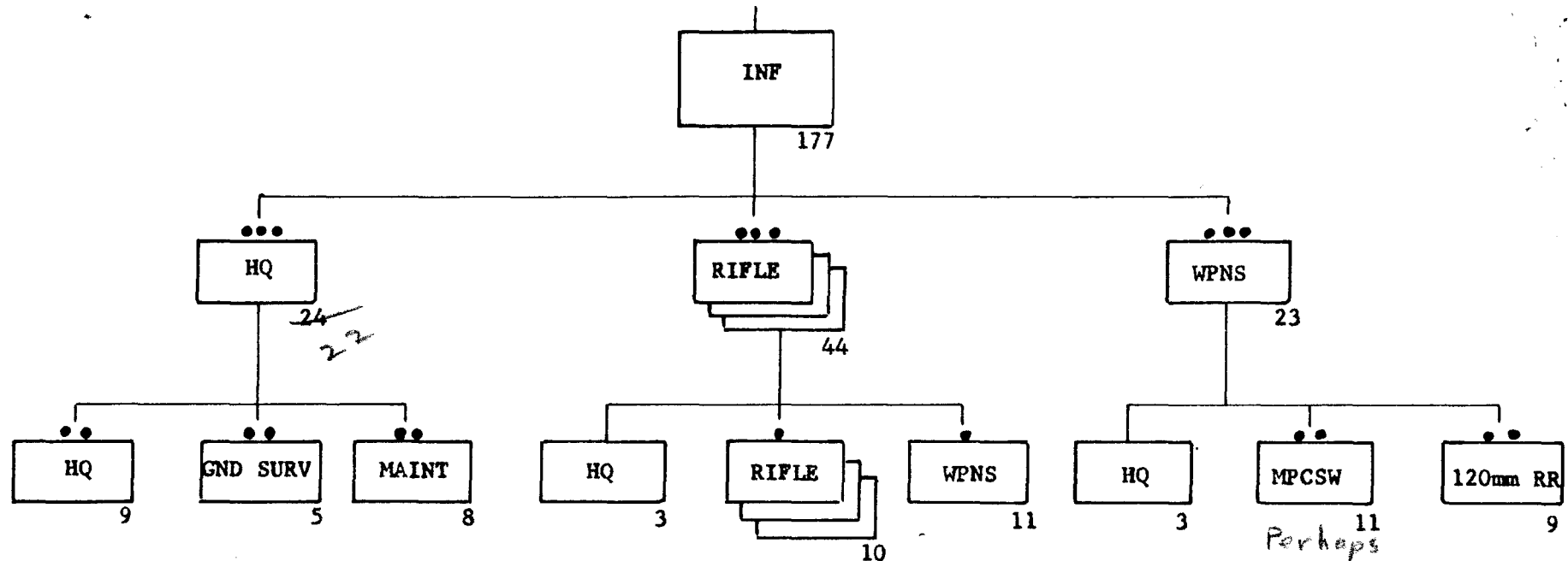


MAJOR ITEMS OF EQUIPMENT

- 41 - 1/4-TON TRUCK
- 79 - 1-1/4-TON TRUCK
- 9 - ACRV
- 10 - GOER, 8-TON
- 69 - PISTOL
- 563 - RIFLE
- 98 - LAUNCHER, XM 79
- 18 - MG
- 18 - 90mm RR
- 6 - 120mm RR
- 6 - MPCSW
- 4 - AR/AAV
- 4 - 4.2 MORTAR, DC

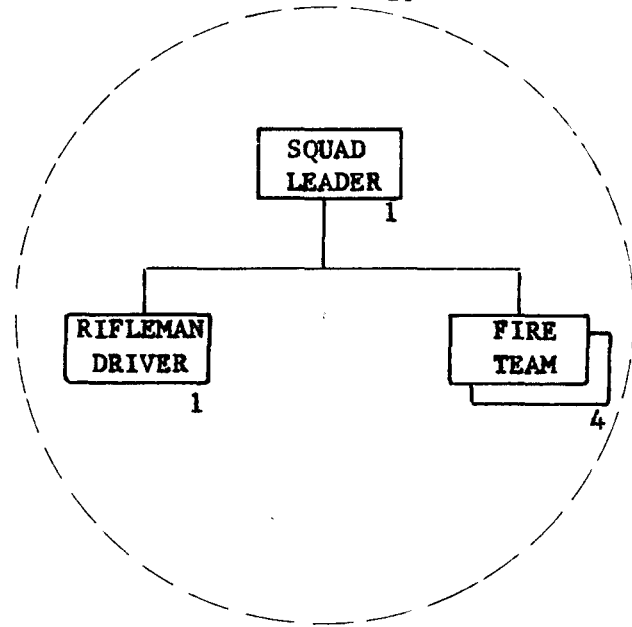
UNCLASSIFIED

INFANTRY BATTALION



MAJOR ITEMS OF EQUIPMENT

- 17 - PISTOL
- 134 - RIFLE
- 26 - LAUNCHER, XM 79
- 6 - MG (exclude veh mtd)
- 6 - 90mm RR
- 2 - MPCSW
- 2 - 120mm RR
- 7 - 1/4-TON TRUCK
- 20 - 1-1/4-TON TRUCK



INFANTRY COMPANY

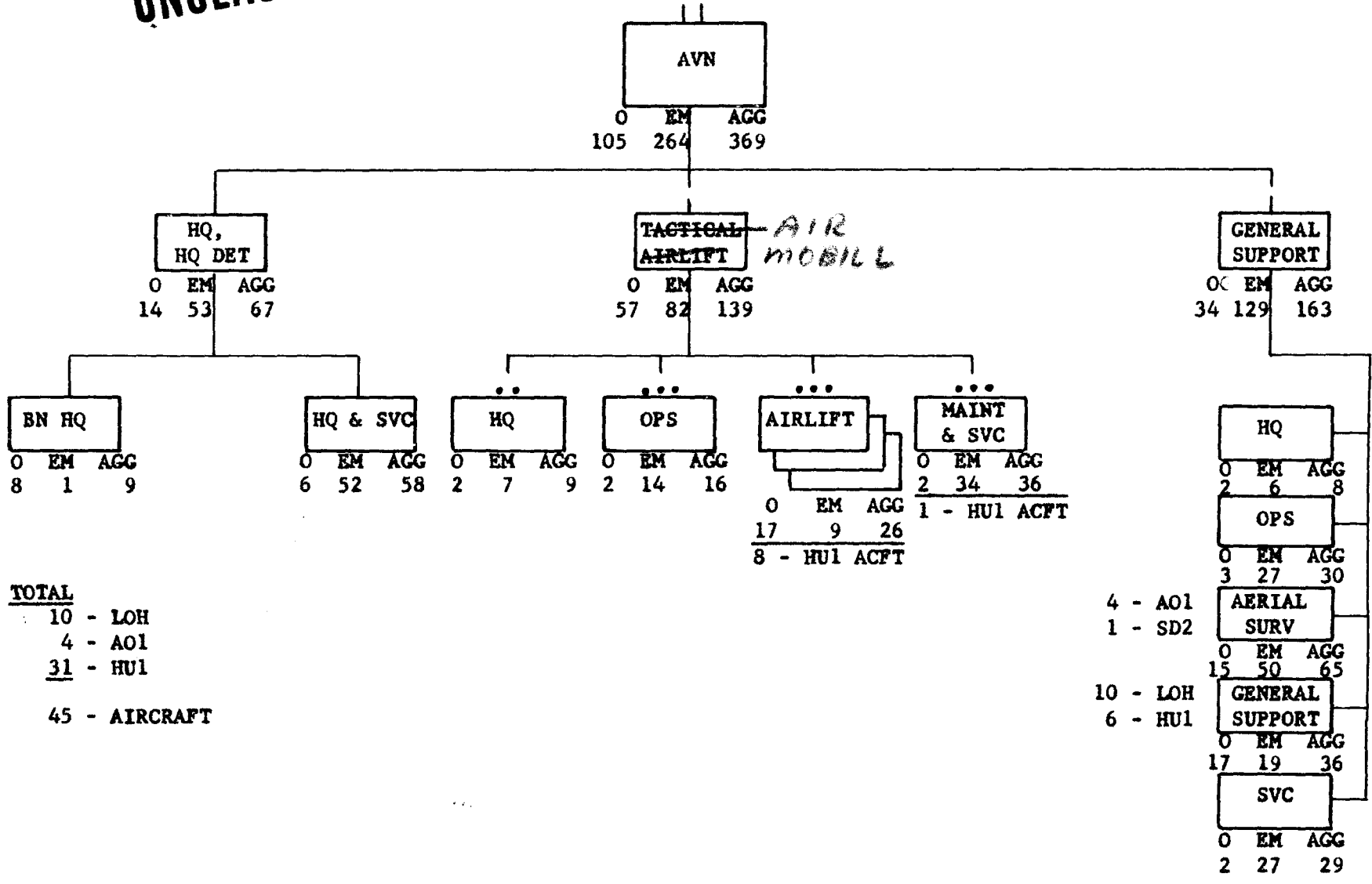
UNCLASSIFIED

WORKING PAPER

23 DECEMBER 1960

UNCLASSIFIED

FOR OFFICIAL USE ONLY



TOTAL
 10 - LOH
 4 - AO1
 31 - HUI
 45 - AIRCRAFT

4 - AO1
 1 - SD2
 10 - LOH
 6 - HUI

AVIATION BATTALION

WORKING PAPER

UNCLASSIFIED

FOR OFFICIAL USE ONLY

23 DECEMBER 1960

UNCLASSIFIED

~~FOR OFFICIAL USE ONLY~~

<u>TYPE</u>	<u>AVN BN</u>	<u>BRIGADES</u>	<u>RECON</u>	<u>MEDICS</u>	<u>DIV ARTY</u>	<u>TOTAL</u>
<u>LOH</u> (2 - 4 PLACE HELICOPTER)	10	24 (8)	14	-	6	54
<u>HU-1</u> (IRIQUOIS)	31	--	13	6	-	50
<u>AO-1</u> (MOHAWK)	4	--	--	-	-	4
TOTAL	<u>45</u>	<u>24</u>	<u>27</u>	<u>6</u>	<u>6</u>	<u>108</u>

DIVISION AIRCRAFT

WORKING PAPER

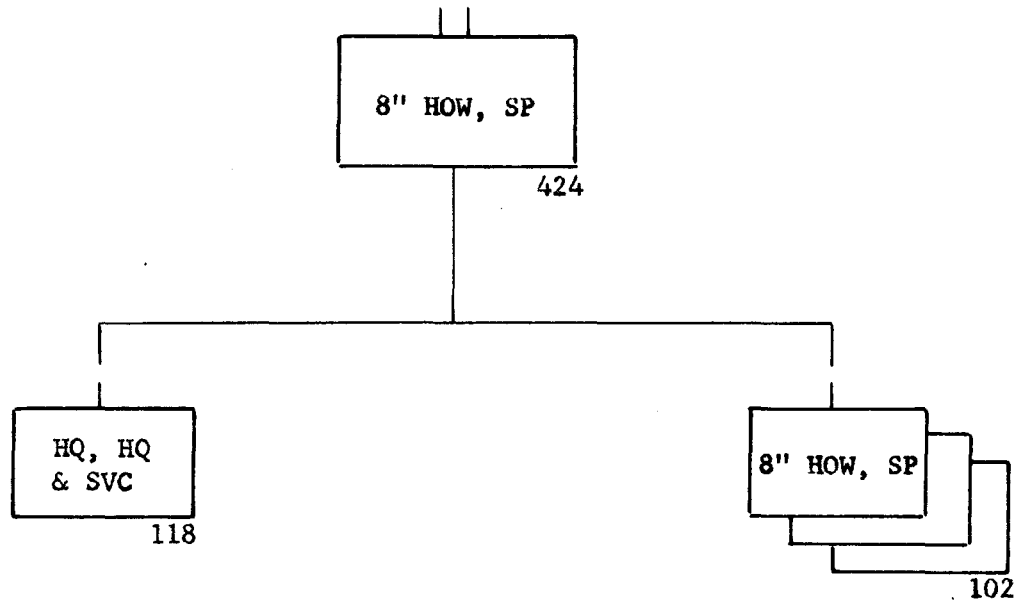
UNCLASSIFIED

~~FOR OFFICIAL USE ONLY~~

23 DECEMBER 1960

UNCLASSIFIED

~~FOR OFFICIAL USE ONLY~~



8" HOWITZER BATTALION, SP

WORKING PAPER

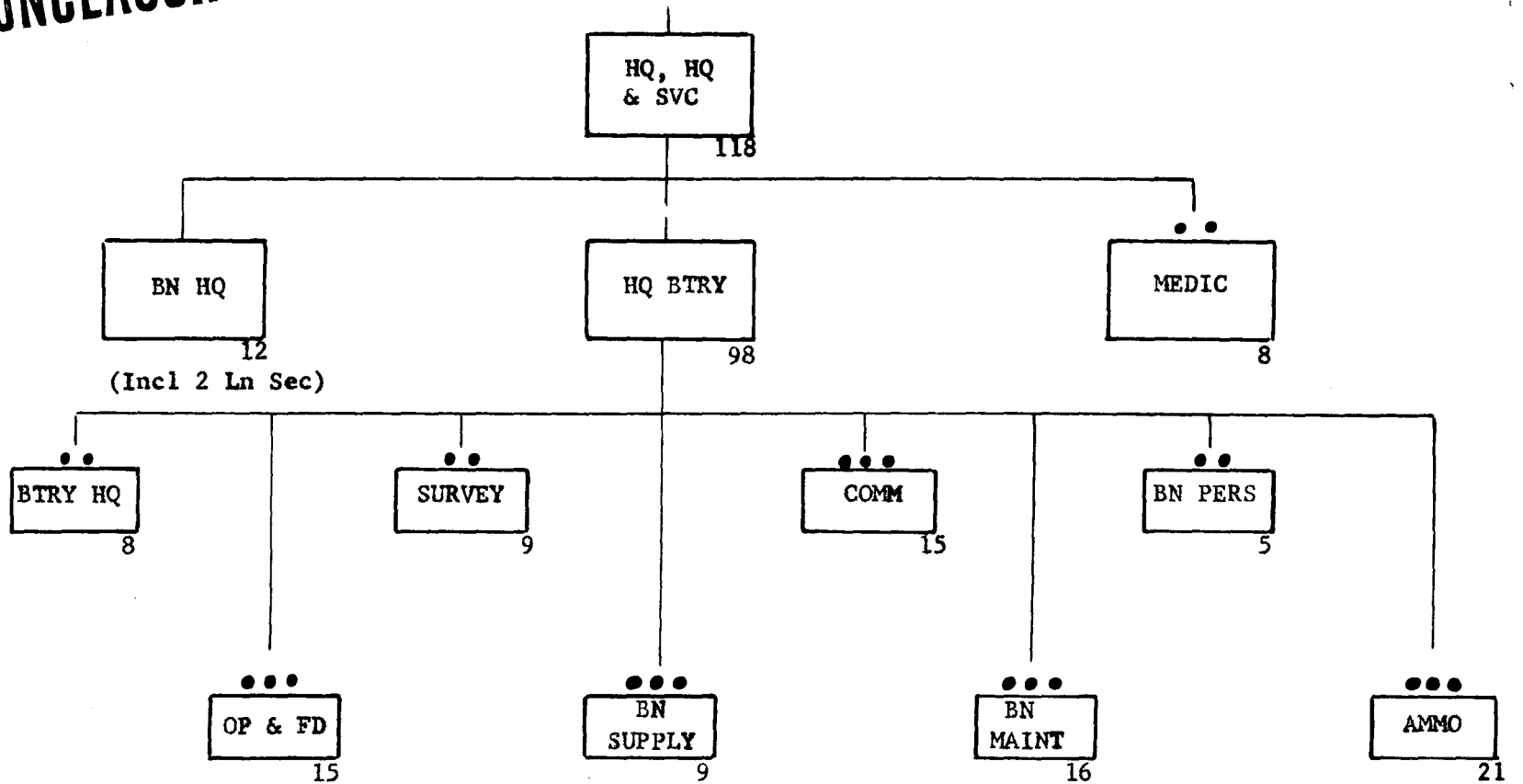
UNCLASSIFIED

~~FOR OFFICIAL USE ONLY~~

23 DECEMBER 1960

UNCLASSIFIED

~~FOR OFFICIAL USE ONLY~~



HQ, HQ AND SVC BTRY, 8" HOWITZER BN, SP

UNCLASSIFIED

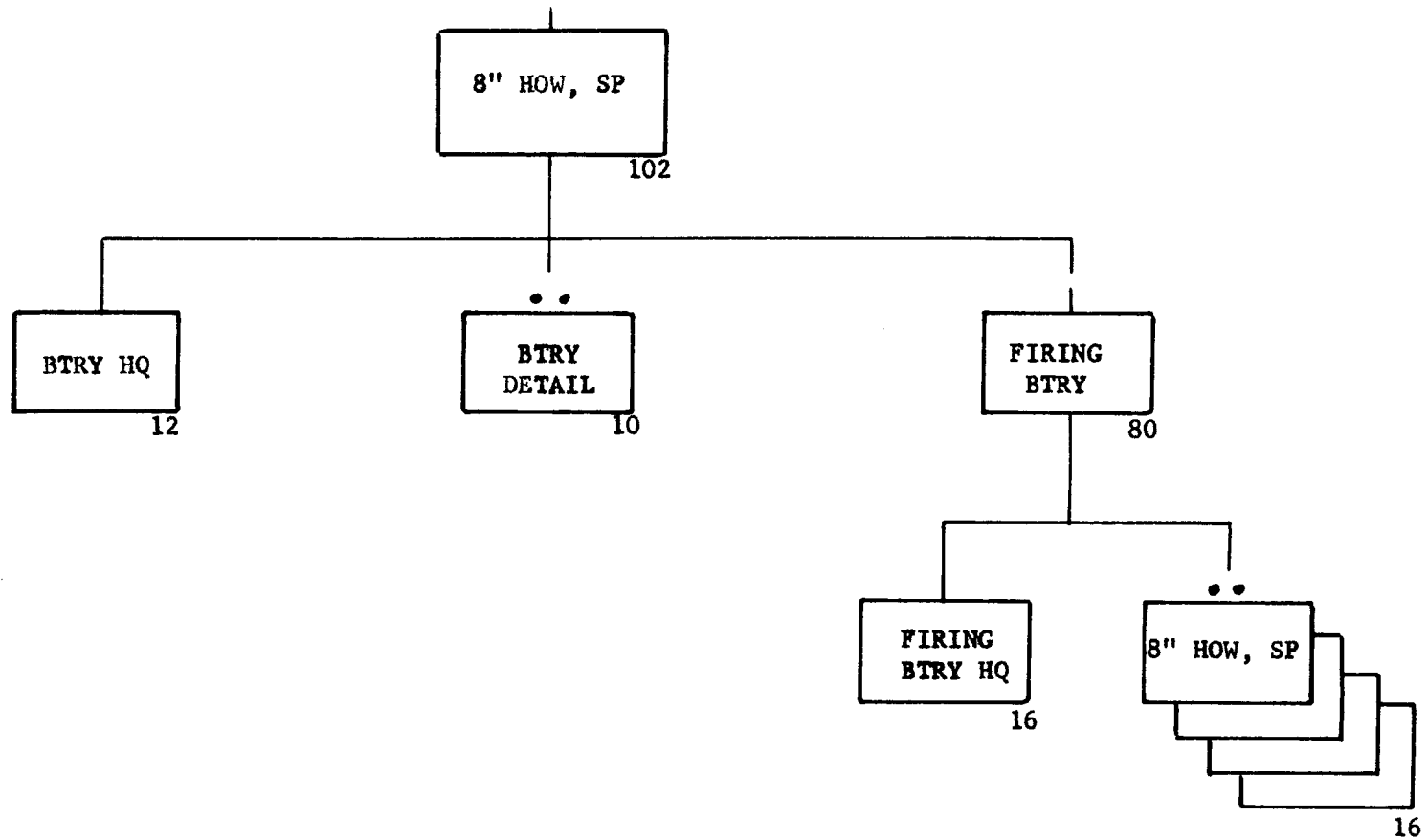
~~FOR OFFICIAL USE ONLY~~

WORKING PAPER

23 DECEMBER 1960

UNCLASSIFIED

~~TOP SECRET~~



8" HOWITZER BATTERY, SP

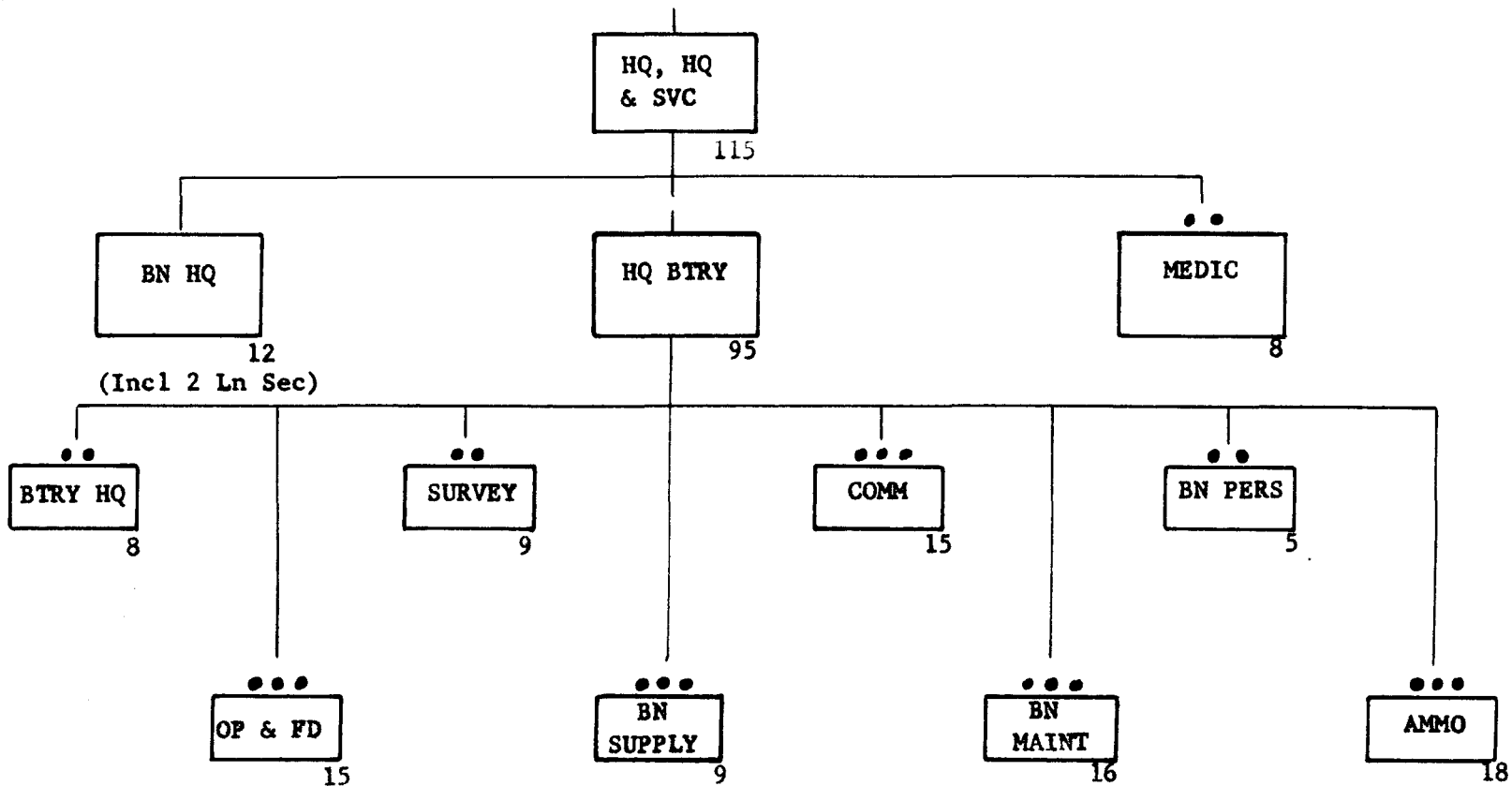
WORKING PAPER

UNCLASSIFIED

~~TOP SECRET~~

23 DECEMBER 1960

UNCLASSIFIED



HQ, HQ AND SVC BTRY, 155mm HOWITZER BN, SP

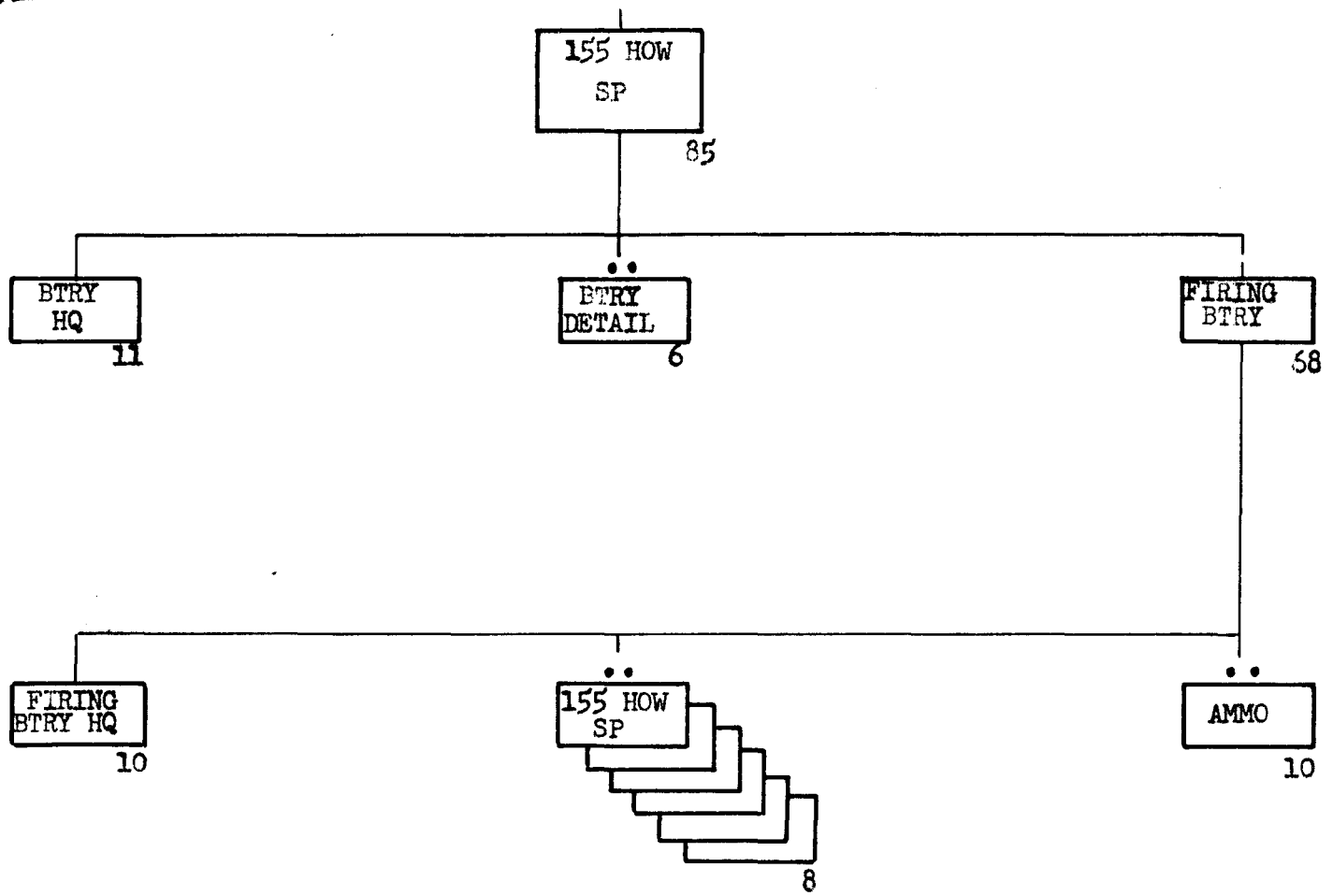
UNCLASSIFIED

WORKING PAPER

23 DECEMBER 1960

UNCLASSIFIED

~~FOR OFFICIAL USE ONLY~~



155MM HOWITZER BATTERY, SP

WORKING PAPER

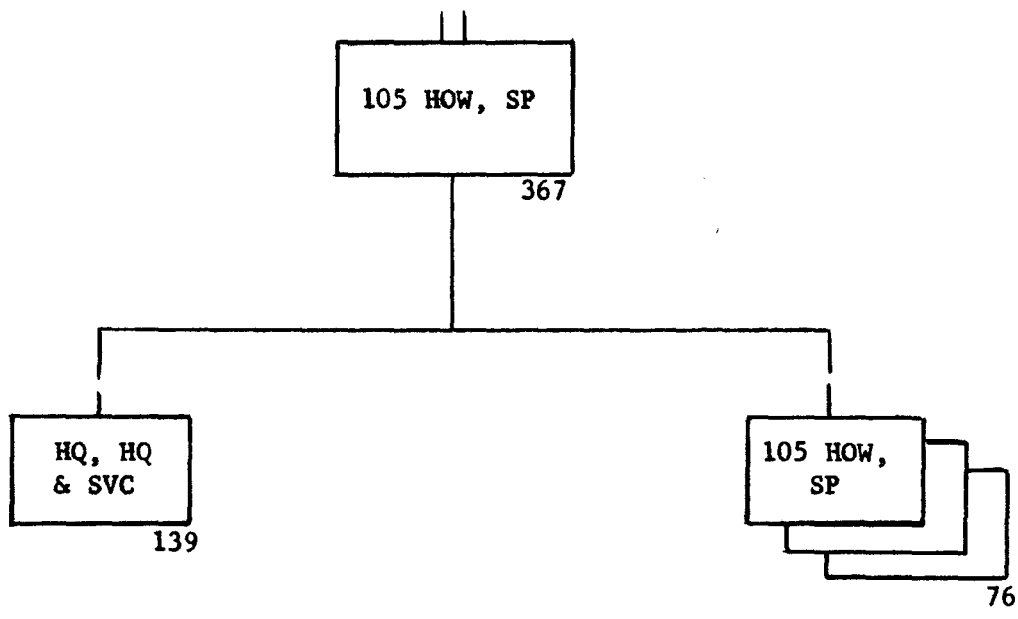
23 December 1960

UNCLASSIFIED

~~FOR OFFICIAL USE ONLY~~

UNCLASSIFIED

~~CONFIDENTIAL~~



105mm HOWITZER BATTALION, SP

UNCLASSIFIED

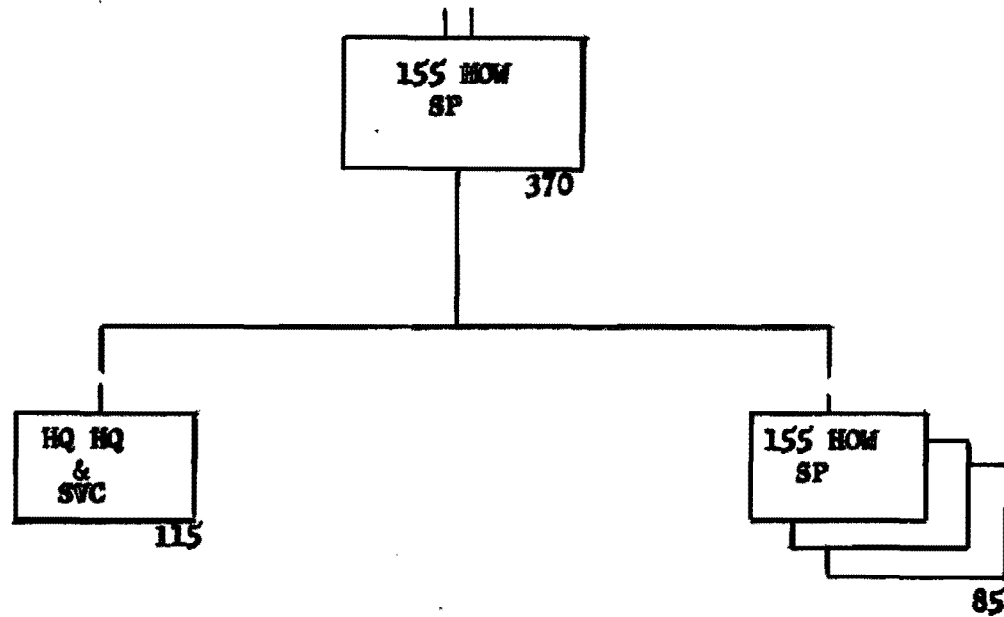
~~CONFIDENTIAL~~

WORKING PAPER

23 DECEMBER 1960

UNCLASSIFIED

~~FOR OFFICIAL USE ONLY~~



155MM HOWITZER BATTALION, SP

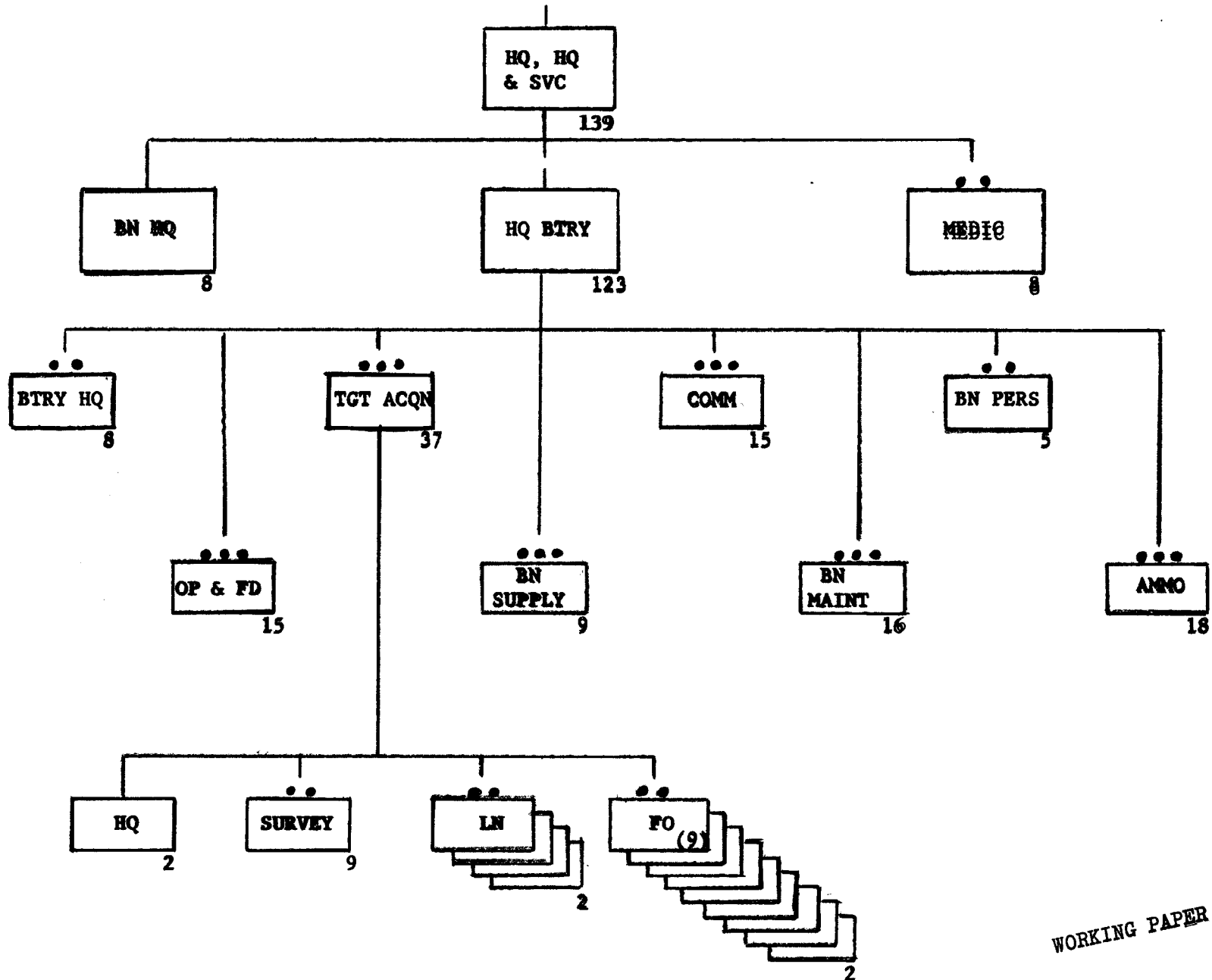
23 December 1960

~~FOR OFFICIAL USE ONLY~~

UNCLASSIFIED

WORKING PAPER

~~TOP SECRET~~

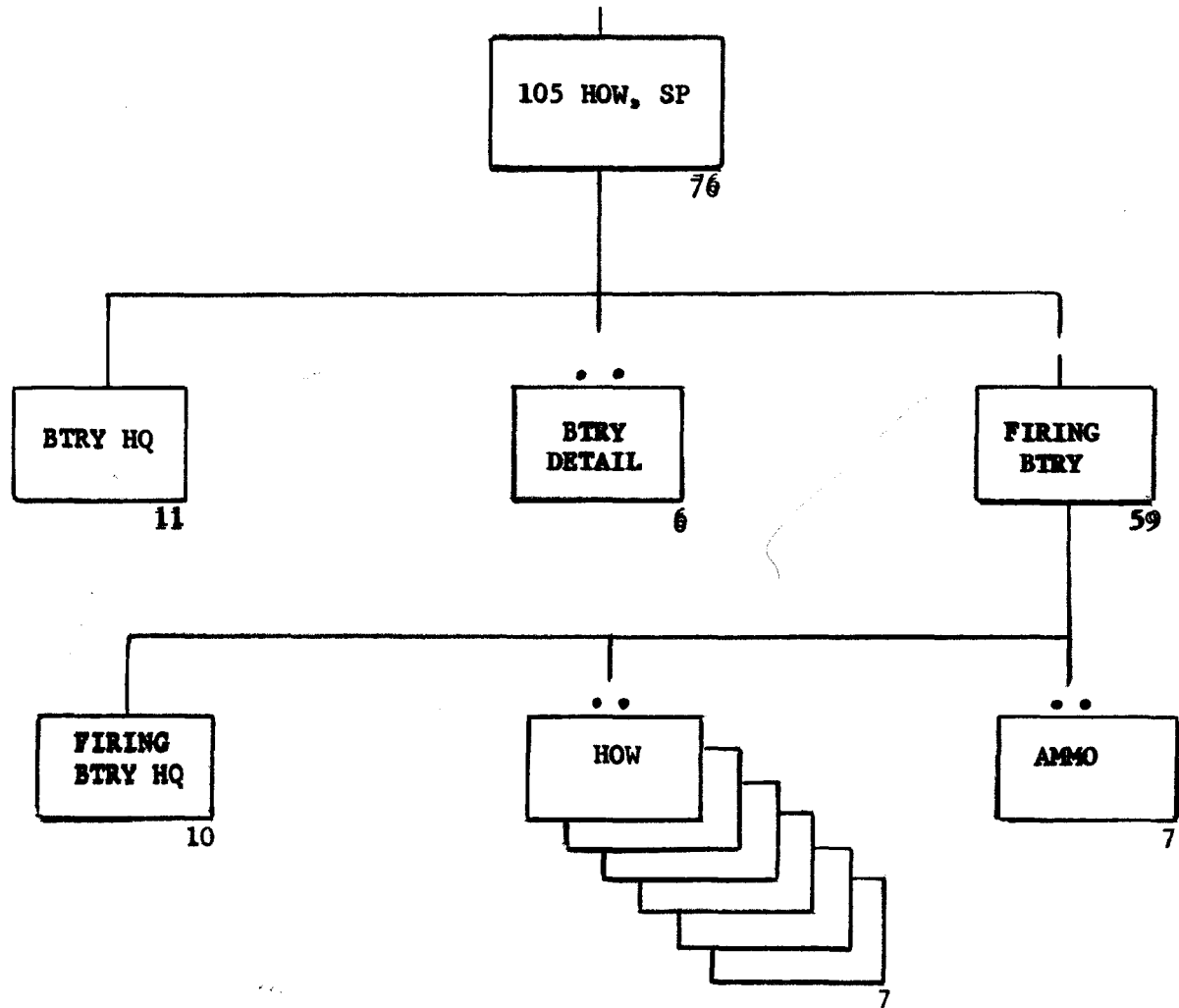


HQ, HQ AND SVC BTRY, 105mm HOWITZER BN, SP

WORKING PAPER

UNCLASSIFIED

~~TOP SECRET / CONFIDENTIAL~~



105mm HOWITZER BTRY, 105mm HOWITZER BN, SP

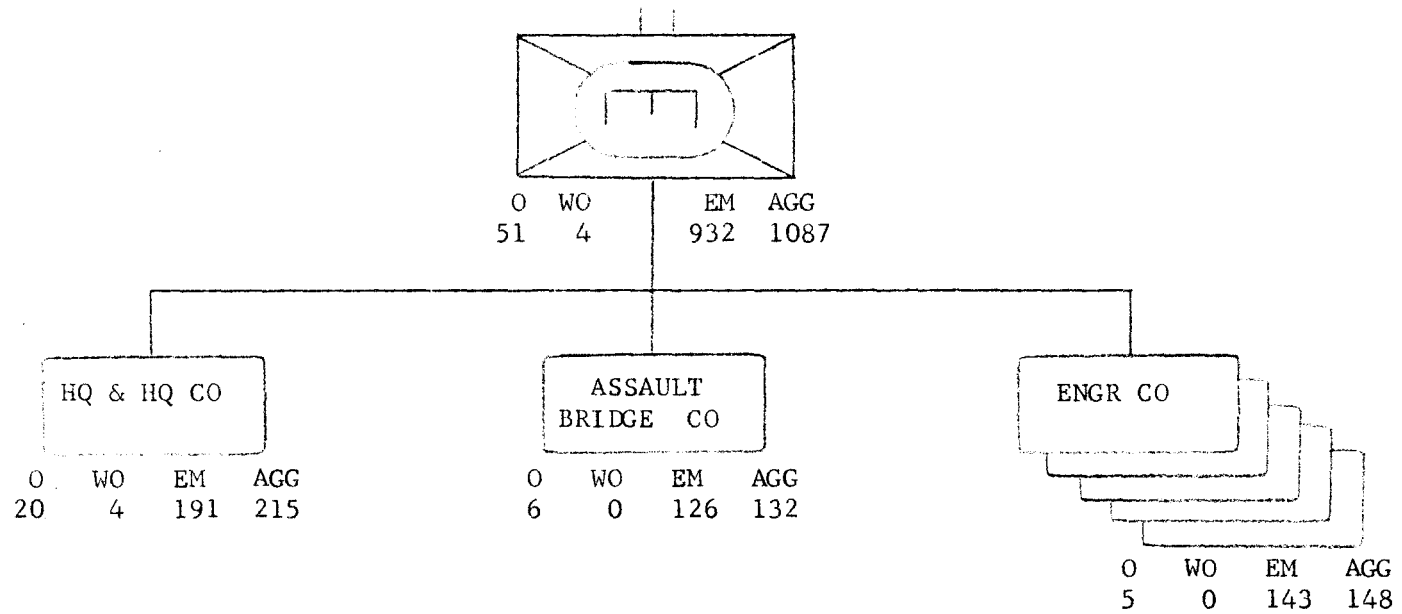
WORKING PAPER

UNCLASSIFIED

~~TOP SECRET / CONFIDENTIAL~~

23 DECEMBER 1960

ENGINEER BATTALION
ARMORED OR MECHANIZED DIVISION



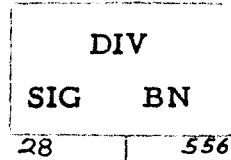
MAJOR ITEMS OF EQUIPMENT

ANGLEDZER	8	HEAVY RAFTS	3
GRADER	4	TRUCK 1/4-TON	36
CRANE SHOVEL	3	TRUCK 3/4-TON	12
AIR COMPRESSOR	6	TRUCK CARGO 2-1/2-TON	23
COMBAT ENGR VEH	8	TRUCK, WRECKER	*1
PERS CARRIERS F. T.	40	TRUCK AMBULANCE 1/4-TON	1
DUMP TRUCK	51	TRUCK GAS 2-1/2-TON	6
LOADER SCOOP	15	TRUCK VAN SHOP 2-1/2-TON	1
ELECTRIC TOOL SET	15	TRUCK TRAC 5-TON	5
AVLB W/LAUNCHER	6	TRUCK TRAC 2-1/2-TON	2
AVLB W/O LAUNCHER	3		

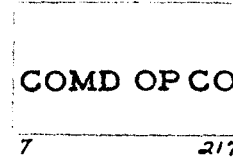
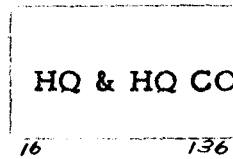
WORKING PAPER

UNCLASSIFIED

~~FOR OFFICIAL USE ONLY~~



Major Items of Equipment	
Carrier Personnel	3
Gun Machine	26
Launcher, Rocket	27
Trucks	189
Large Switchboards	8
Patch Panels	7
Teletype Centrals	8
Large AM Radios	16
FM Radios	51
Radio Relay & Terminals	38



Gun, Machine	7
Launcher, Rocket	7
Trucks	54
FM Radios	7
Radio Relays & Terminals	7

Gun, Machine	6
Launcher, Rocket	10
Trucks	74
Large Switchboards	5
Patch Panels	4
Teletypewriter Centrals	5
Large AM Radios	13
FM Radios	24
Radio Relay Terminals	13

Carrier, Personnel Full Track	3
Gun, Machine	13
Launcher, Rocket	10
Trucks	61
Large Switchboards	3
Patch Panels	3
Teletypewriter Centrals	3
Large AM Radios	3
FM Radios	20
Radio Relay Terminals	18

WORKING PAPER

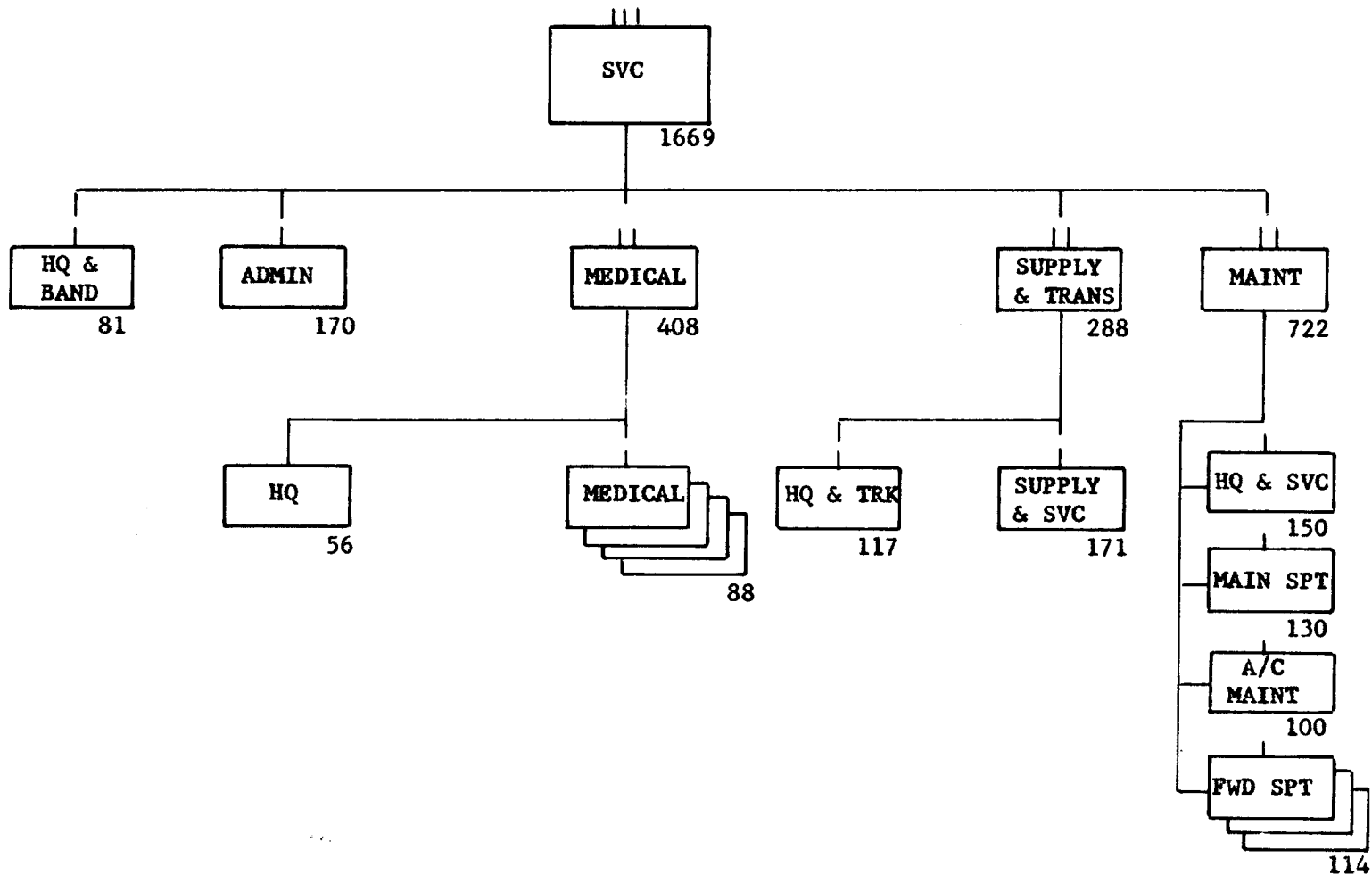
UNCLASSIFIED

~~FOR OFFICIAL USE ONLY~~

23 DECEMBER 1960

UNCLASSIFIED

~~FOR OFFICIAL USE ONLY~~



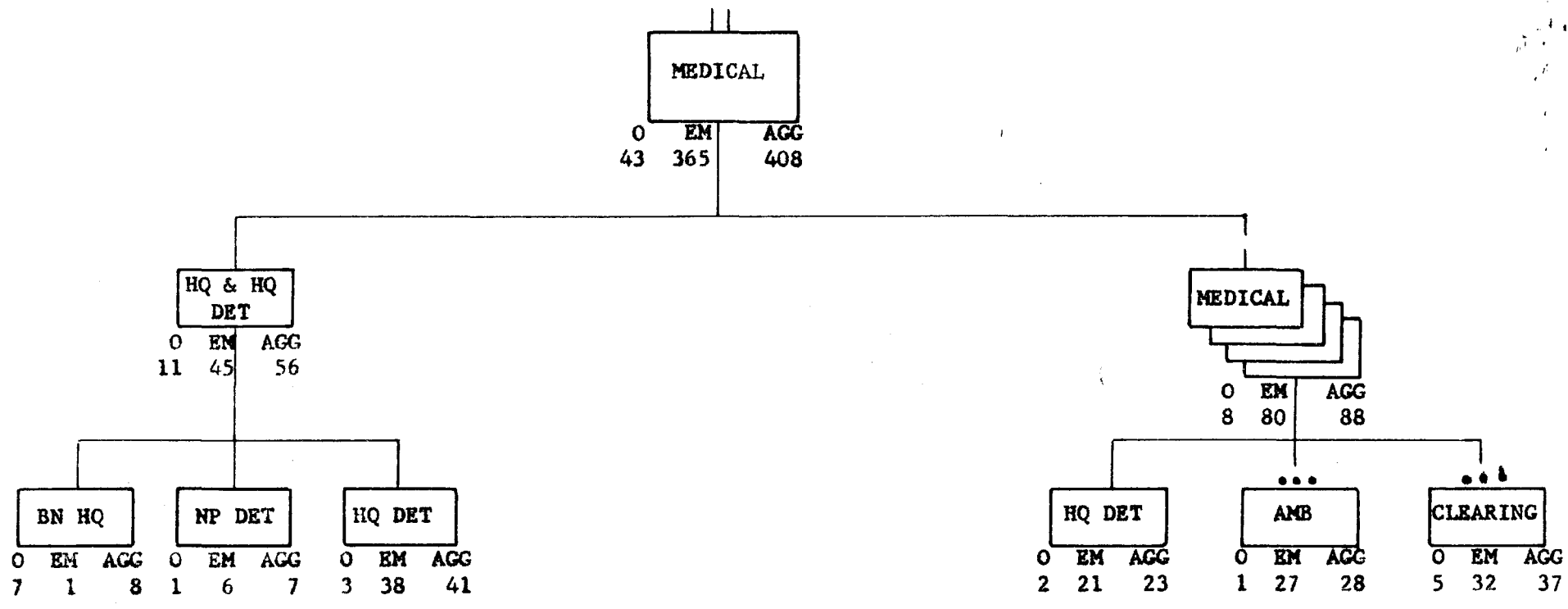
DIVISION SERVICE COMMAND

WORKING PAPER

UNCLASSIFIED

~~FOR OFFICIAL USE ONLY~~

23 DECEMBER 1960

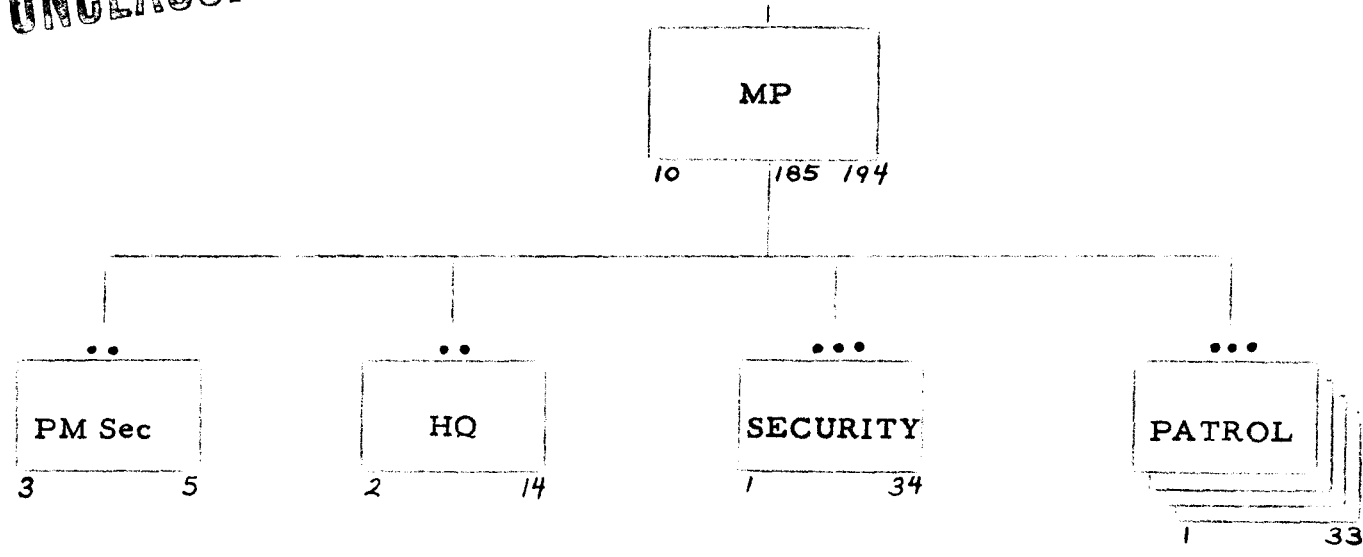


MEDICAL BATTALION

WORKING PAPER

UNCLASSIFIED

~~FOR OFFICIAL USE ONLY~~



MILITARY POLICE COMPANY

WORKING PAPER

UNCLASSIFIED

~~FOR OFFICIAL USE ONLY~~

23 DECEMBER 1960