

INCH-POUND

MS24356F
31 January 2023
SUPERSEDING
MS24356E
18 April 2016

DETAILED SPECIFICATION SHEET

NOZZLE, PROBE, AERIAL REFUELING, TYPE MA-2

This specification sheet is approved for use by all Departments and Agencies of the Department of Defense.

The requirements for acquiring the product described herein shall consist of this specification sheet and the procurement specification MIL-PRF-25161.

Comments, suggestions, or questions on this document should be addressed to Air Force Sustainment Center - Oklahoma City/AFLCMC/LZPES, 3001 Staff Drive, Suite 1AB81A, Tinker AFB, OK 73145 or emailed to ocalc.dsp@us.af.mil. Since contact information can change, you may want to verify the currency of this address information using the ASSIST Online database at <https://assist.dla.mil>.

REQUIREMENTS:

1. Where specified, surface roughness $\sqrt{3}$, ASME-B46.1.
2. Remove all burrs and break sharp edges .010 to .020.
3. Dimensions in inches. Unless otherwise specified, tolerances: Decimals $\pm .010$, Angles $\pm 1/2$ degree.
4. At assembly where nozzle is threaded into the probe mast nose, MS24359, lock securely in place with the lock ring, MS24360-2, 1 required.
5. For use with reception couplings designed and qualified to MIL-PRF-81975 or MIL-PRF-57267.

NOTES:

This specification sheet implements ATP 3.3.4.6 (STANAG-3447), Air-To-Air (Aerial) Refueling Equipment: Probe-Drogue Interface Characteristics. When amendment, revision, or cancellation of this specification sheet is proposed, the preparing activity must coordinate the action with the U.S. National Point of Contact for the NATO Standardization Agreement, as identified in the ASSIST database at <https://assist.dla.mil>.

This document references the following:

MIL-PRF-81975C, Couplings, Regulated, Aerial Pressure Refueling Type MA-2, Type MA-3 and Type MA-4
MIL-PRF-57267, Coupling, Aerial Pressure Refueling Type MA-5
MIL-PRF-25161D, Nozzle, Probe, Aerial Refueling, Type MA-2
MS24359, Nose, Probe Mast - Type MA-2, Flight Pressure Refueling Nozzle, Outline Dimensions for (ASG)
MS24360, Ring, Lock Flight Pressure Refueling Nozzle

(Copies of these documents are available from <https://assist.dla.mil/>.)

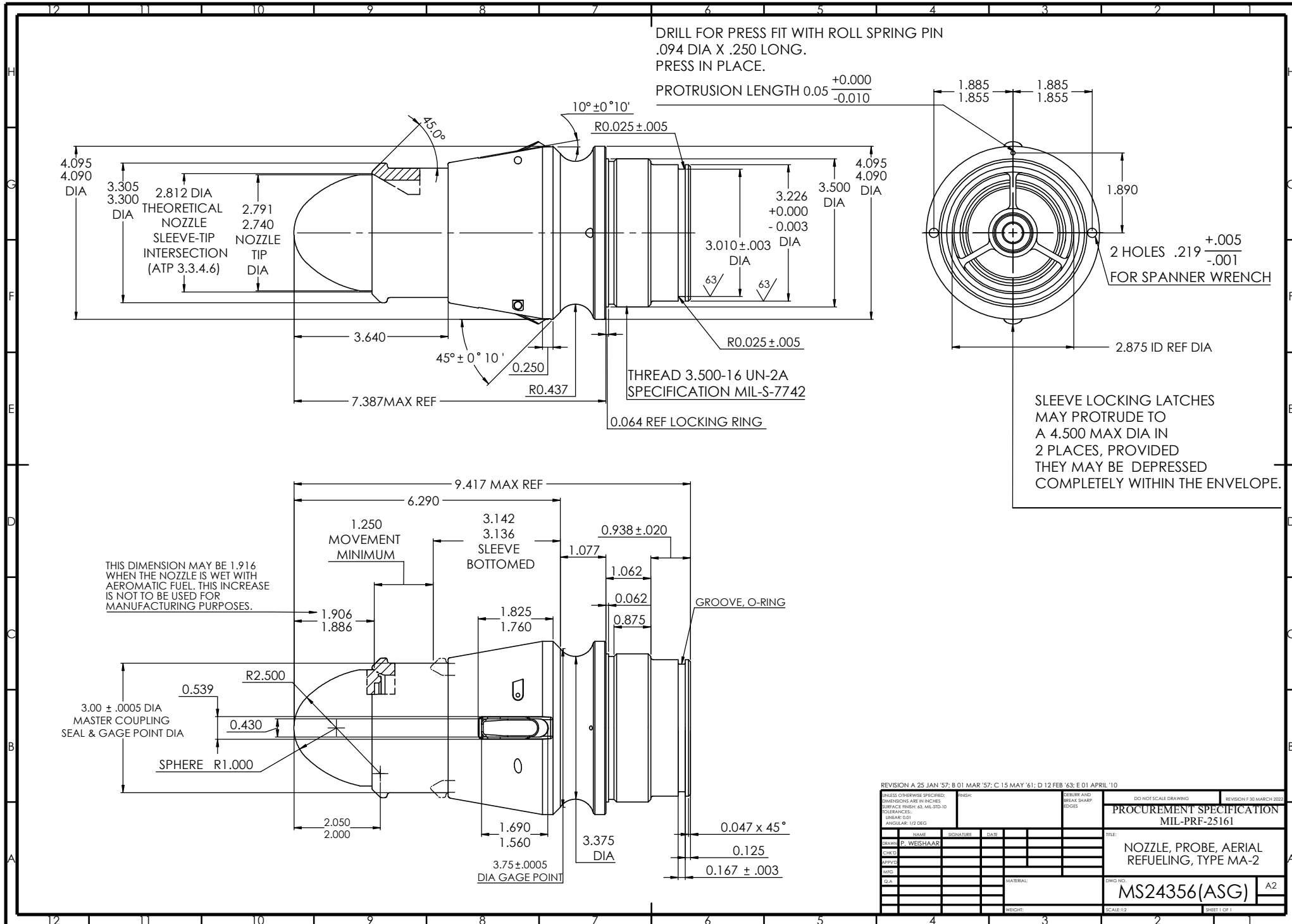
SAE-AS8879, Screw Threads - UNJ Profile, Inch Controlled Radius Root with Increased Minor Diameter (DoD adopted)

(Copies of this document are available from <http://www.sae.org/>.)

For design feature purposes, this specification sheet takes precedence over procurement documents referenced herein. Referenced documents shall be of the issue in effect on date of invitations for bid.

Changes from previous issue: Marginal notations are not used in this revision to identify changes with respect to the previous issue due to the extent of the changes.

MS24356



REVISION A 25 JAN '57; B 01 MAR '57; C 15 MAY '61; D 12 FEB '63; E 01 APRIL '10		DO NOT SCALE DRAWING		REVISION 30 MARCH 2005	
UNLESS OTHERWISE SPECIFIED: DIMENSIONS ARE IN INCHES SURFACE FINISH 43 MIL STD-10 TOLERANCES: LINEAR: .01 ANGULAR: 1/2 DEG		FINISH:		DEBURR AND BREAK SHARP EDGES	
PROCUREMENT SPECIFICATION MIL-PRF-25161				TITLE:	
DRAWN: P. WEISHAAR		SIGNATURE:		DATE:	
CHKD:		MFG:		MATERIAL:	
APPRV:		DIA:		DWG NO:	
WEIGHT:		SCALE: 1:2		SHEET 1 OF 1	
NOZZLE, PROBE, AERIAL REFUELING, TYPE MA-2				MS24356(ASG) A2	

Custodians:
Navy - AS
Air Force - 71

Preparing activity
Air Force - 71

(Project 61-21-22WD)

Reviewer activities:
Air Force - 99
DLA - GS

NOTE: The activities listed above were interested in this document as of the date of this document. Since organizations and responsibilities can change, you should verify the currency of the information above using the ASSIST database at <https://assist.dla.mil/>.