

AD-A107 107 NAVAL AIR DEVELOPMENT CENTER WARMINSTER PA AIRCRAFT --ETC F/G 6/7
DEVELOPMENT OF AUTOMATIC INFLATION DEVICES FOR LIFE PRESERVERS.(U)
JUL 81 J Z LEWYCKYJ

UNCLASSIFIED NADC-81226-60

NL

3 of 3

40 A

DTIC

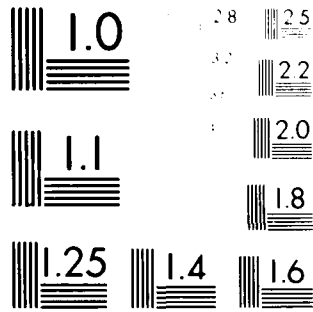
END

DATE

FILMED

12-81

DTIC



MICRO COPY RESOLUTION TEST CHART
NATIONAL BUREAU OF STANDARDS-1963-A

AIRCREW SYSTEMS CHANGE NO. 398 REV A

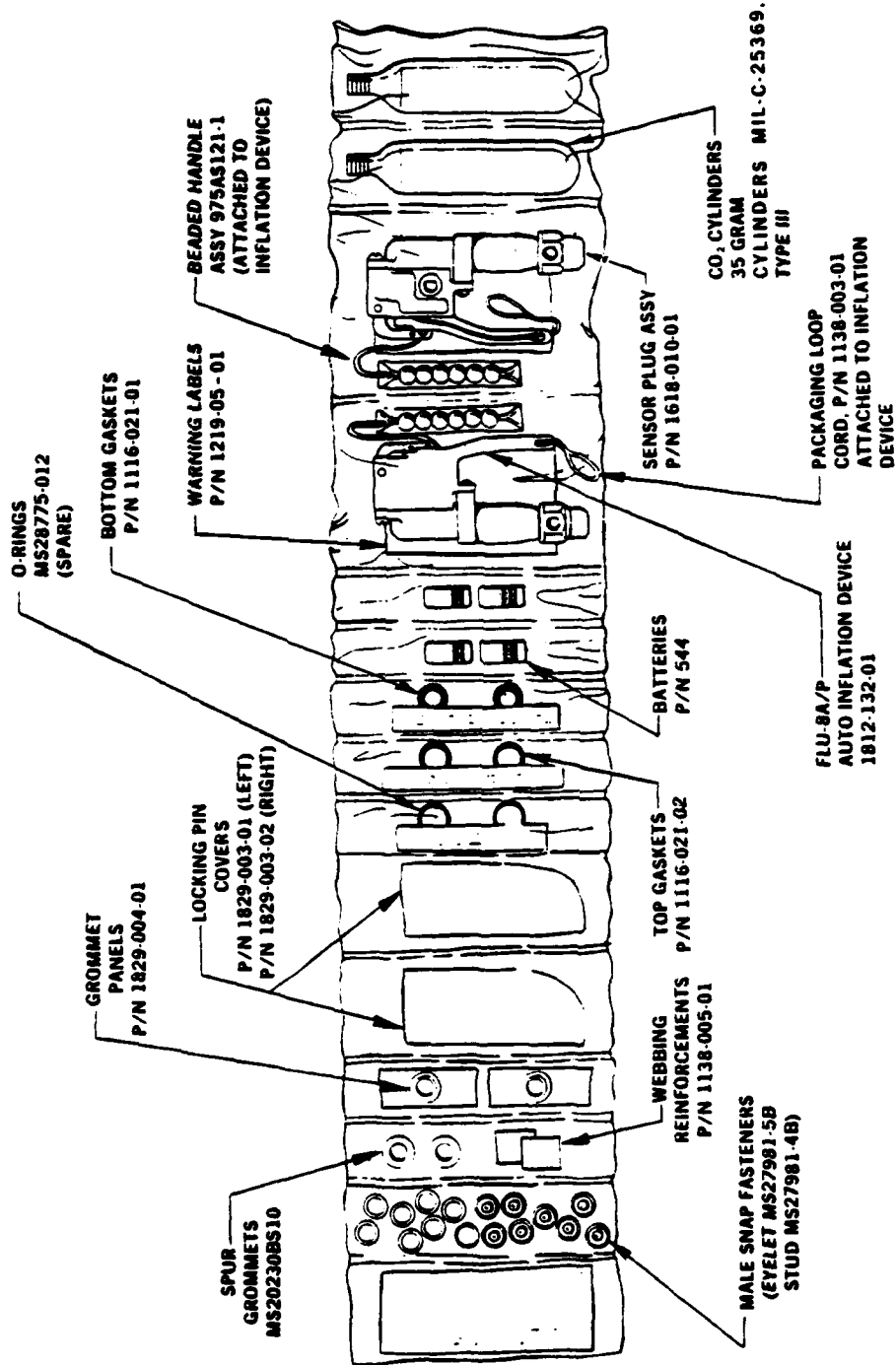


FIGURE 2. KIT A2 CONTENTS (STEP 1)
FLU-8A/P KIN 9398LKA21988HLX

ENCLOSURE (20) - 24

AIRCREW SYSTEMS CHANGE NO. 398 REV A

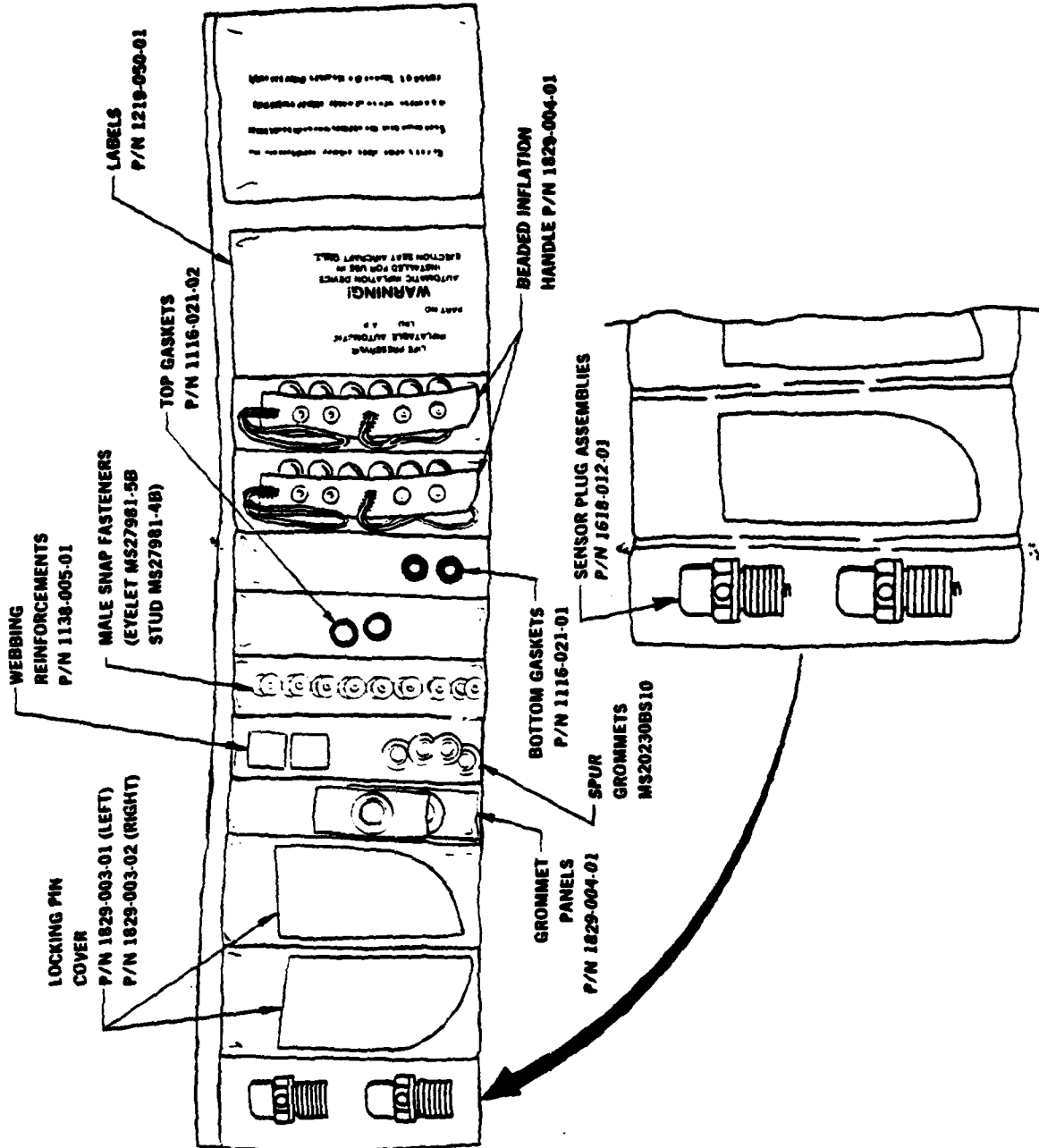


FIGURE 3. KIT A3 CONTENTS (STEP 1) KIN 9398JKA320148LX

AIRCREW SYSTEMS CHANGE NO. 398 REV A

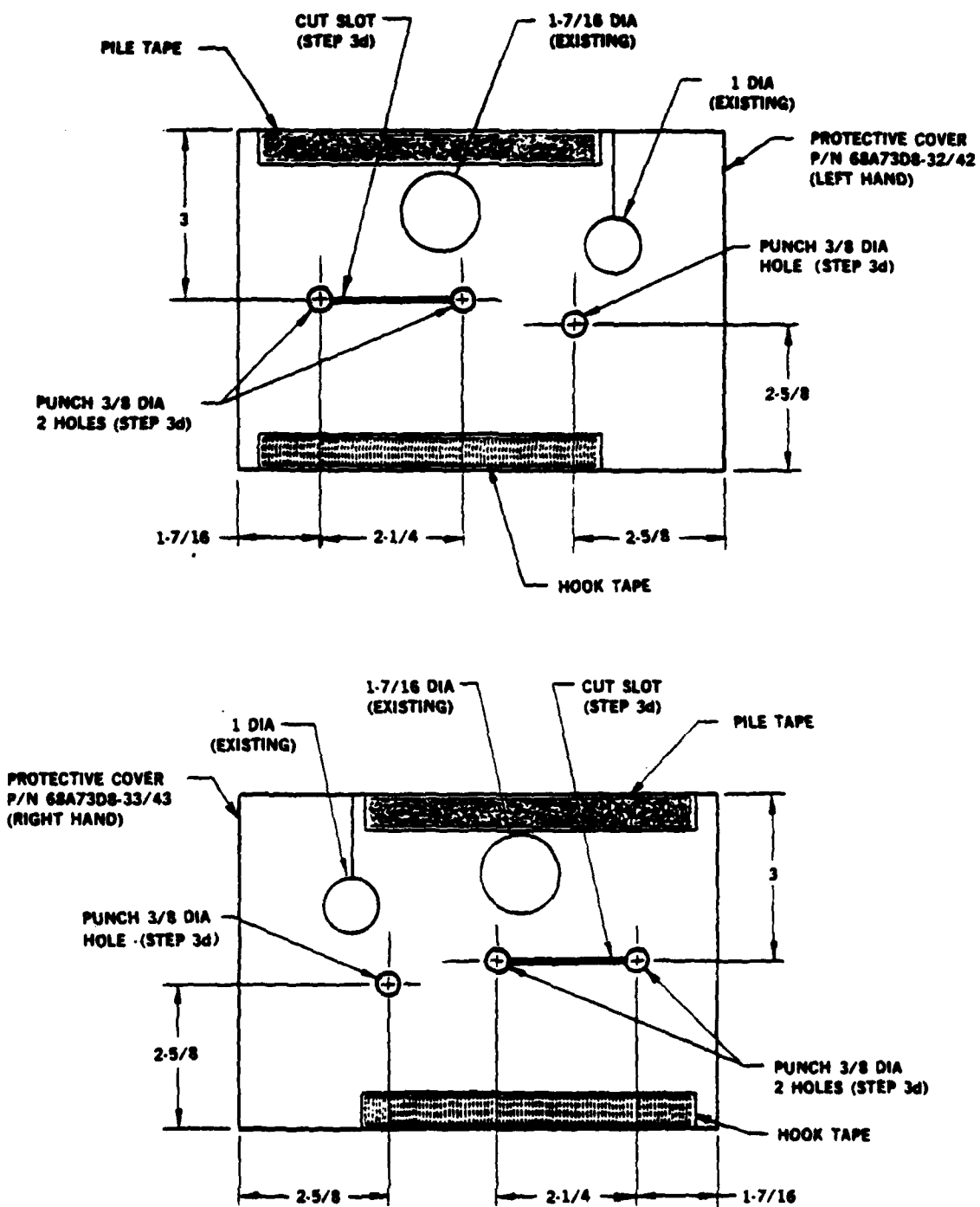


FIGURE 4. PROTECTIVE COVER MODIFICATION (STEP 3d)

AIRCREW SYSTEMS CHANGE NO. 398 REV A

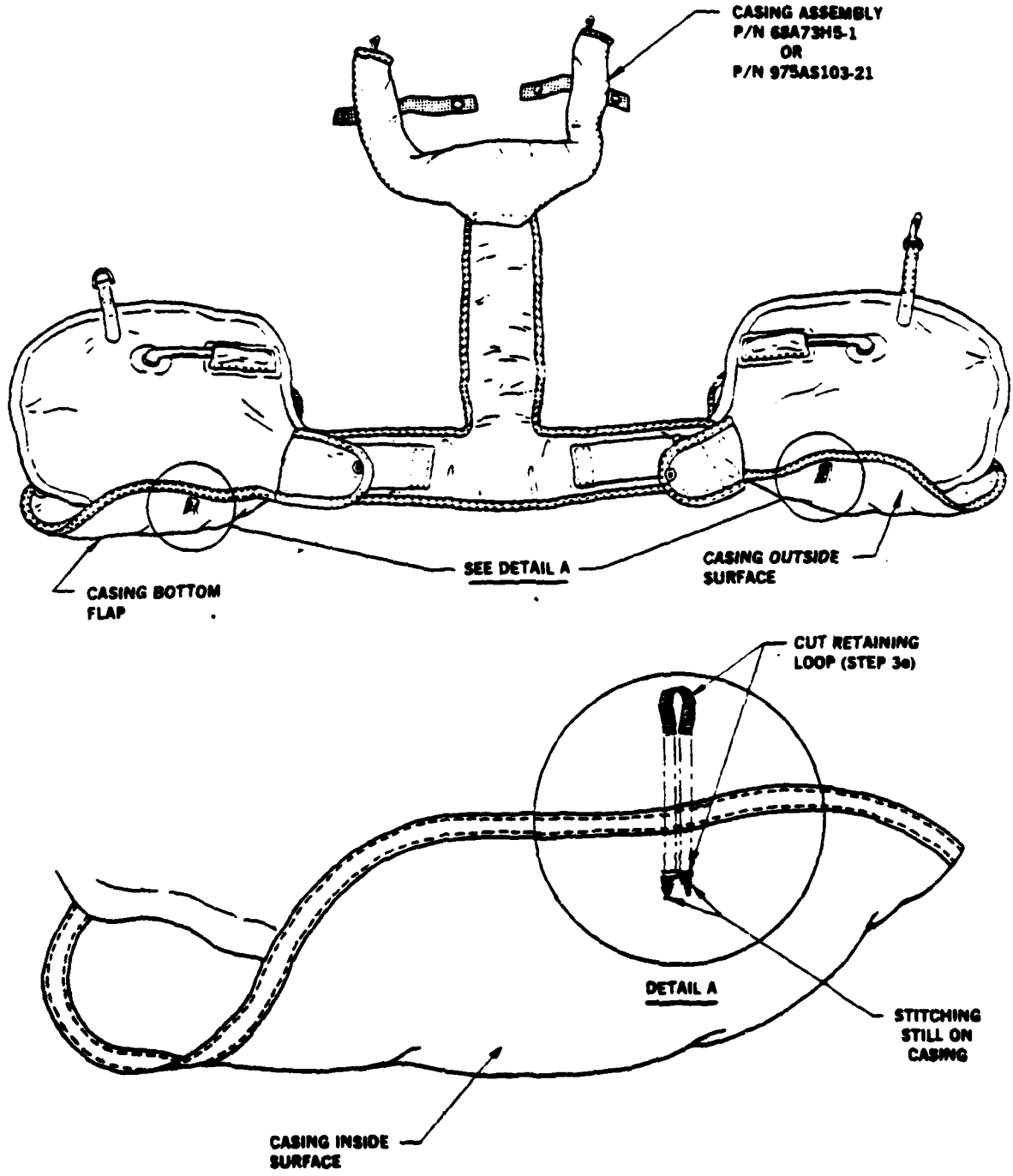


FIGURE 5. REMOVAL OF CASING RETAINING LOOPS (STEP 3e)

AIRCREW SYSTEMS CHANGE NO. 398 REV A

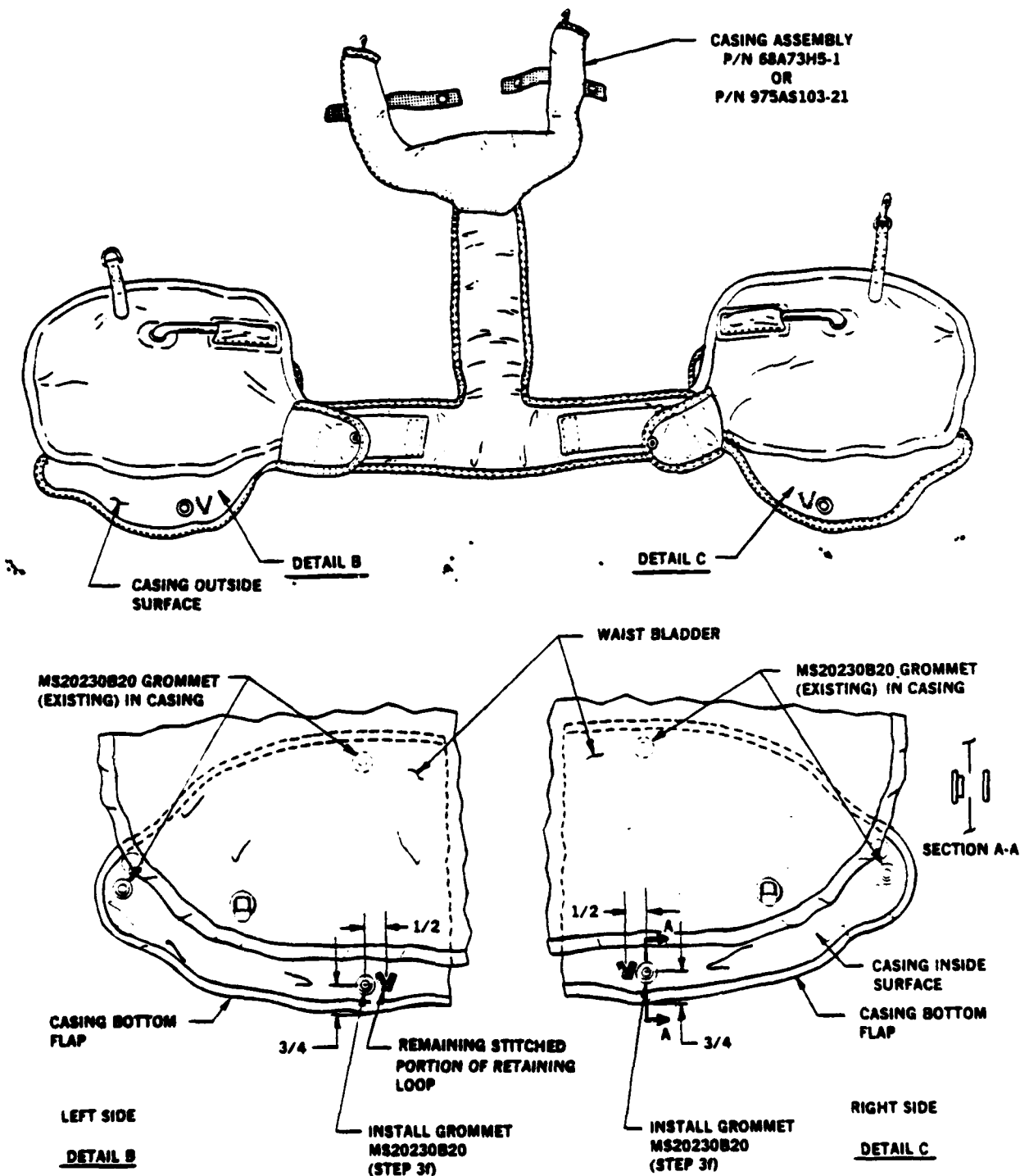


FIGURE 6. INSTALLATION OF GROMMET (STEP 2h)

AIRCREW SYSTEMS CHANGE NO. 398 REV A

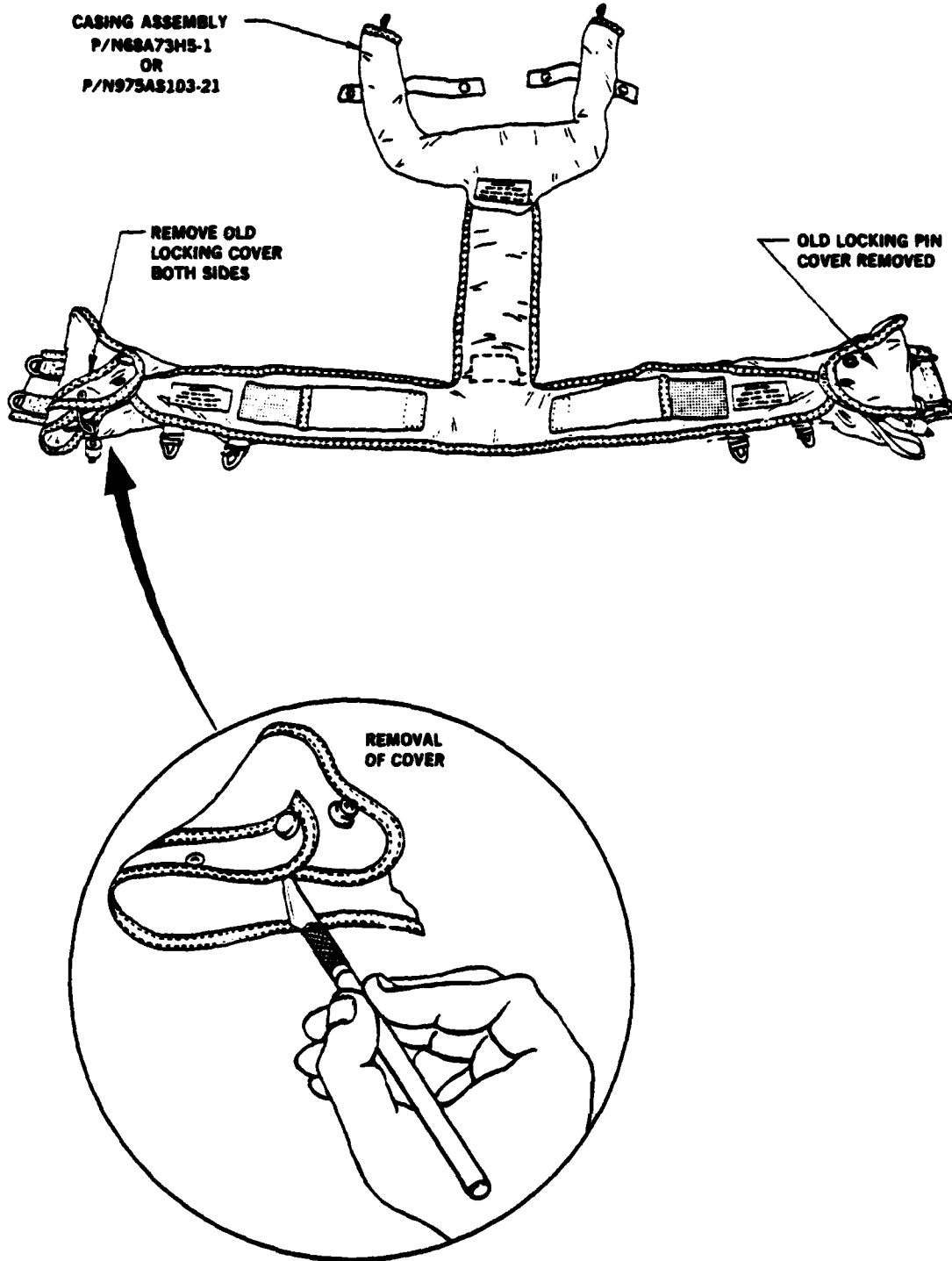


FIGURE 7. REMOVAL OF OLD LOCKING PIN COVERS (STEP 4a)

AIRCREW SYSTEMS CHANGE NO. 398 REV A

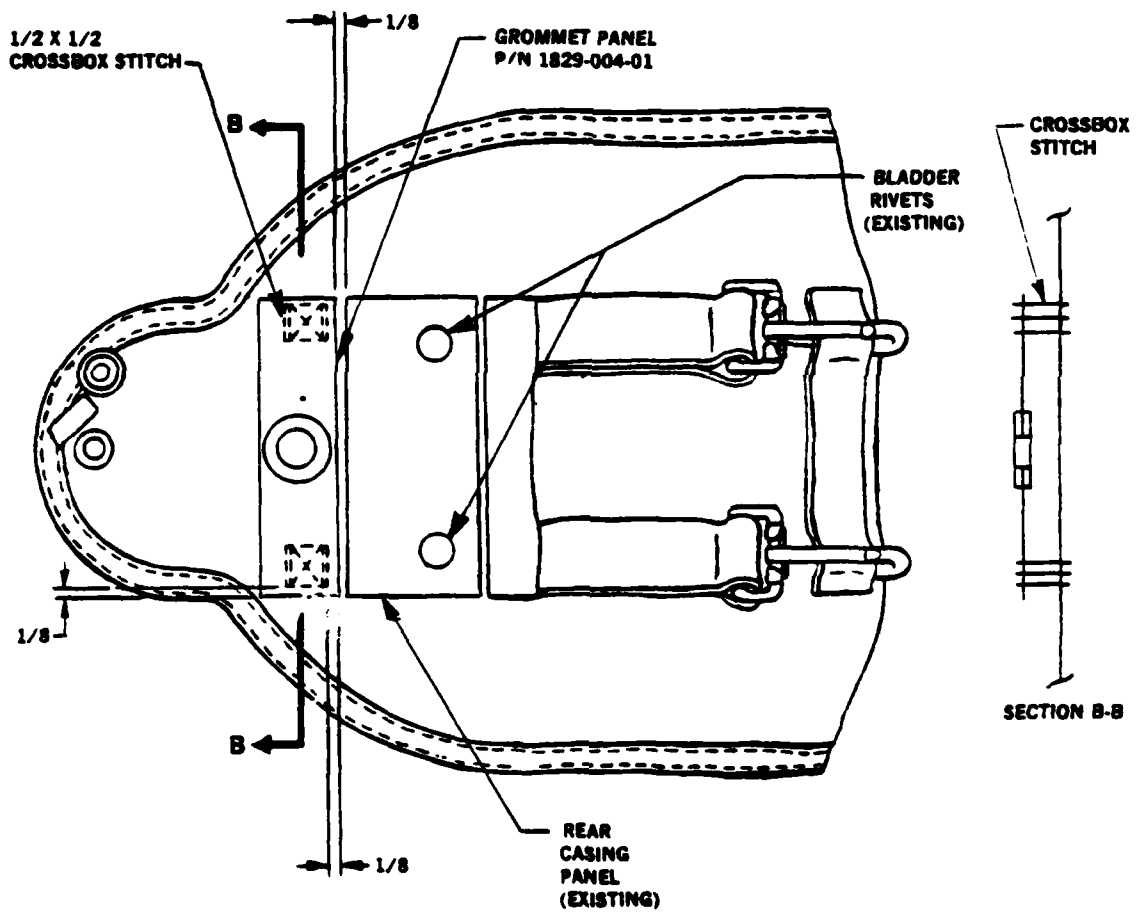
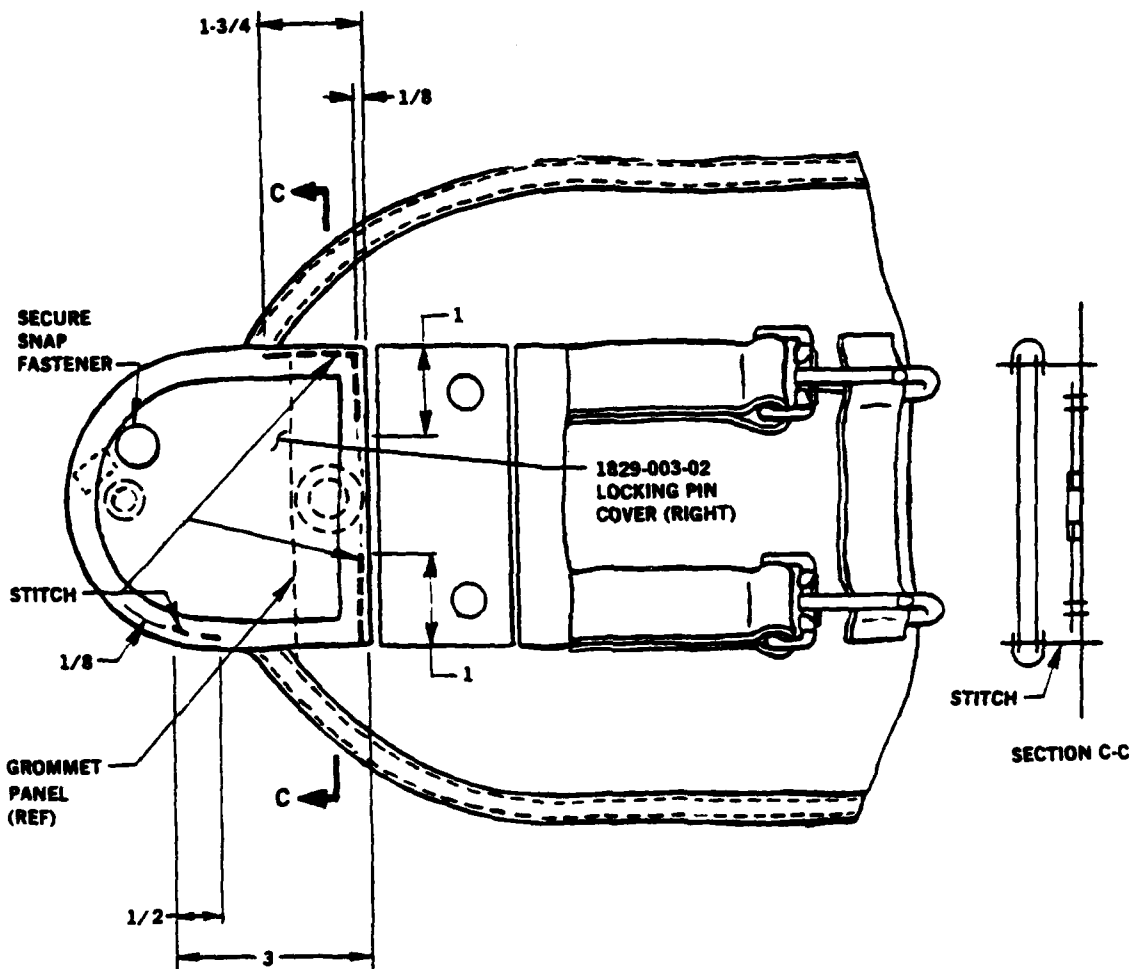


FIGURE 8. POSITION OF GROMMET PANEL (STEP -b)

AIRCREW SYSTEMS CHANGE NO. 398 REV A



NOTE
RIGHT LOBE
SHOWN
(LOCKING PIN COVER
FOR LEFT LOBE IS
1829-003-01)

FIGURE 9. POSITION OF LOCKING PIN COVER (STEP 4c)

AIRCREW SYSTEMS CHANGE NO. 398 REV A

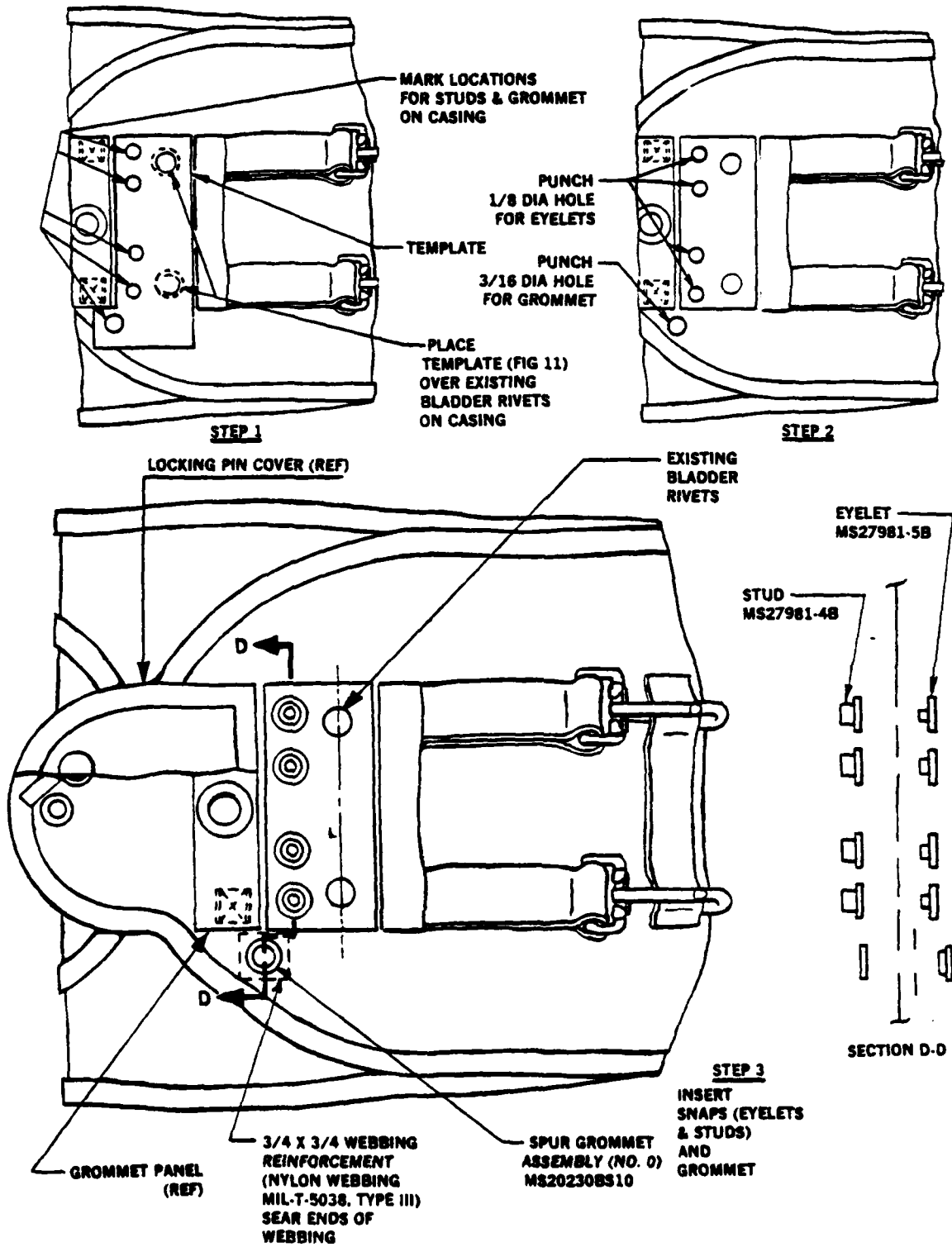


FIGURE 10. POSITION OF HANDLE SNAPS & GROMMET (STEP 4d)

AIRCREW SYSTEMS CHANGE NO. 398 REV A

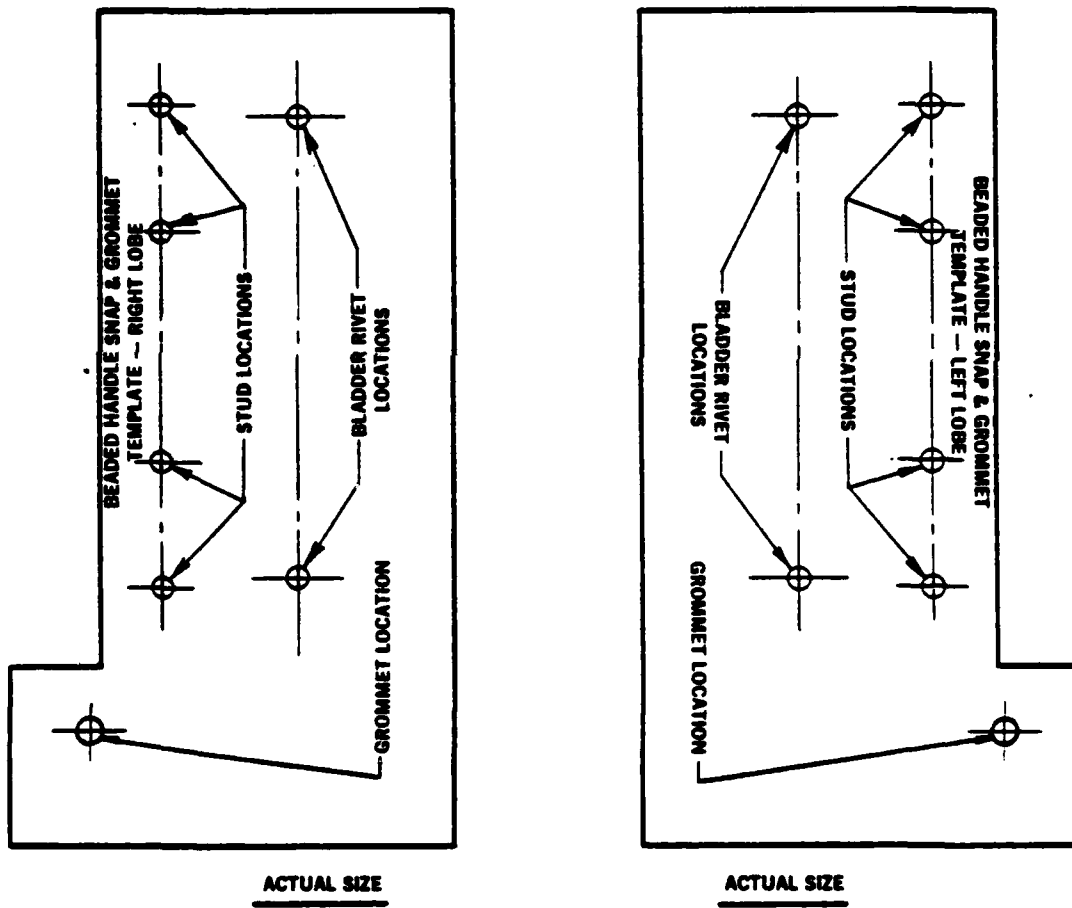


FIGURE 11. TEMPLATE FOR LOCATION OF BEADED INFLATION HANDLE, SNAPS & GROMMET (STEP 4d)

AIRCREW SYSTEMS CHANGE NO. 398 REV A

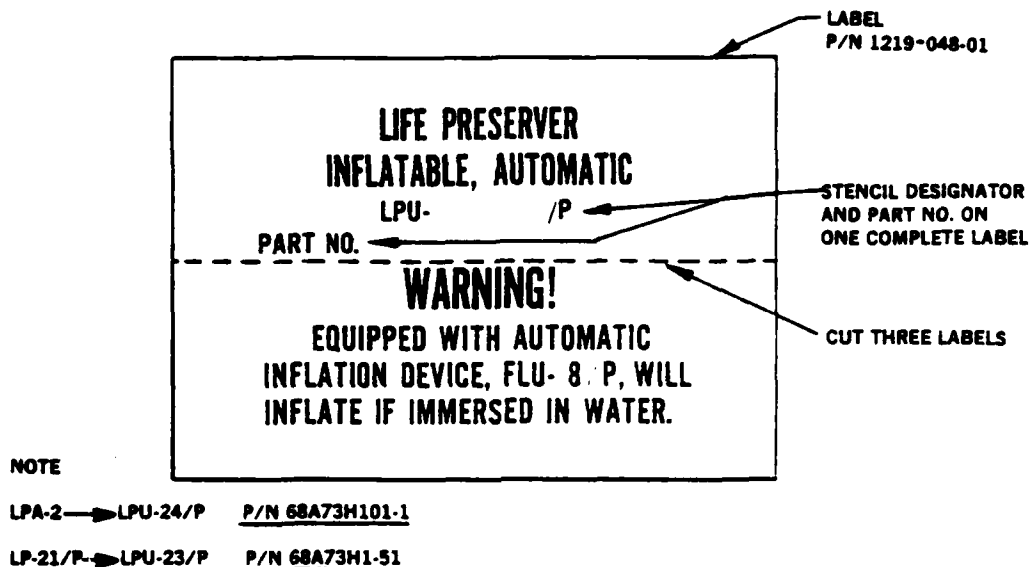


FIGURE 12. LABEL PREPARATION (STEP 5a & 5b)
KIT A1 KIN 9398LKAL18771LX

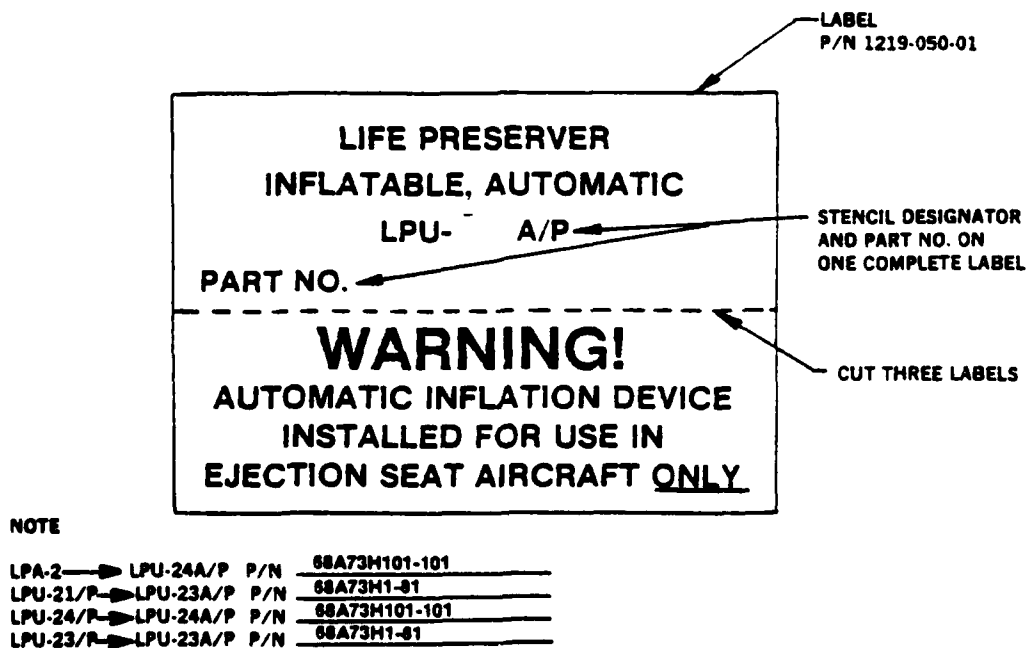


FIGURE 13. LABEL PREPARATION (STEP 5a & 5b)
KIT A2 KIN 9398LKA219884LX KIT A3 9398LKA 3201-2 LX

AIRCREW SYSTEMS CHANGE NO. 398 REV A

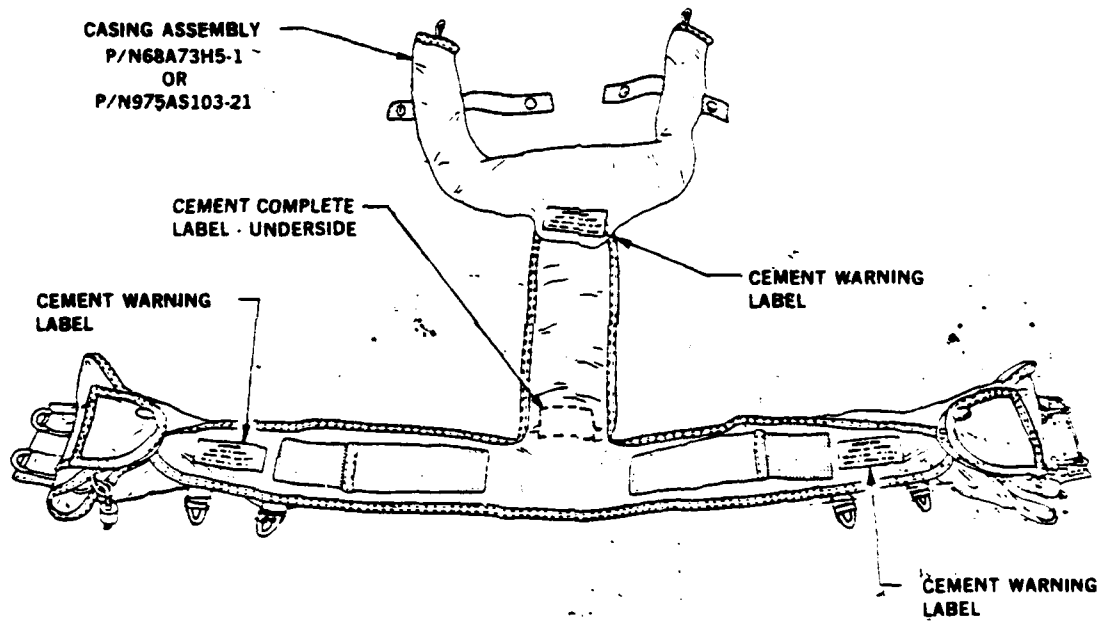


FIGURE 14. LABEL LOCATIONS (STEP 5c)

AIRCREW SYSTEMS CHANGE NO. 398 REV A

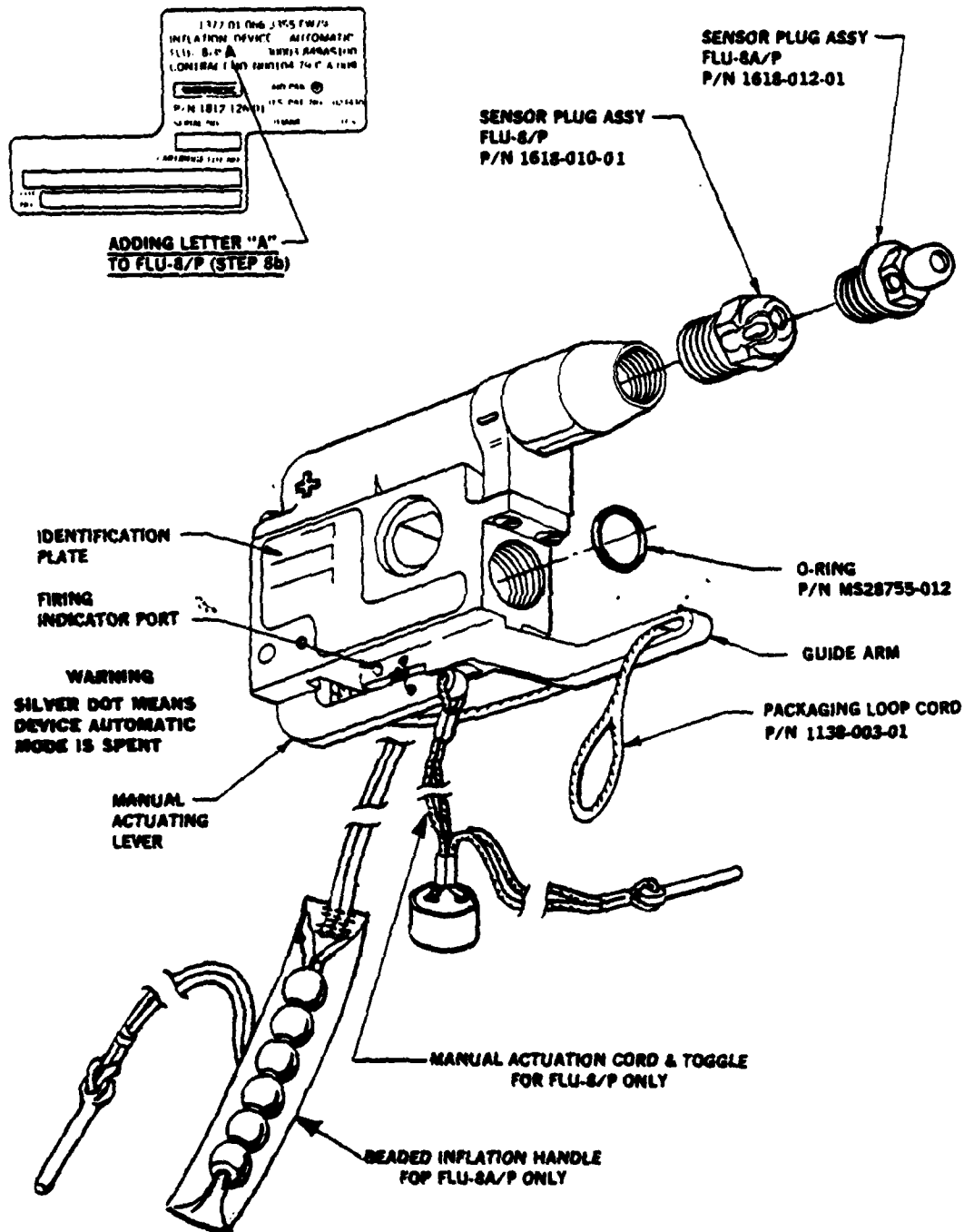


FIGURE 15. INSPECTION OF AUTOMATIC INFLATION DEVICE (STEP 6e)

AIRCREW SYSTEMS CHANGE NO. 398 REV A

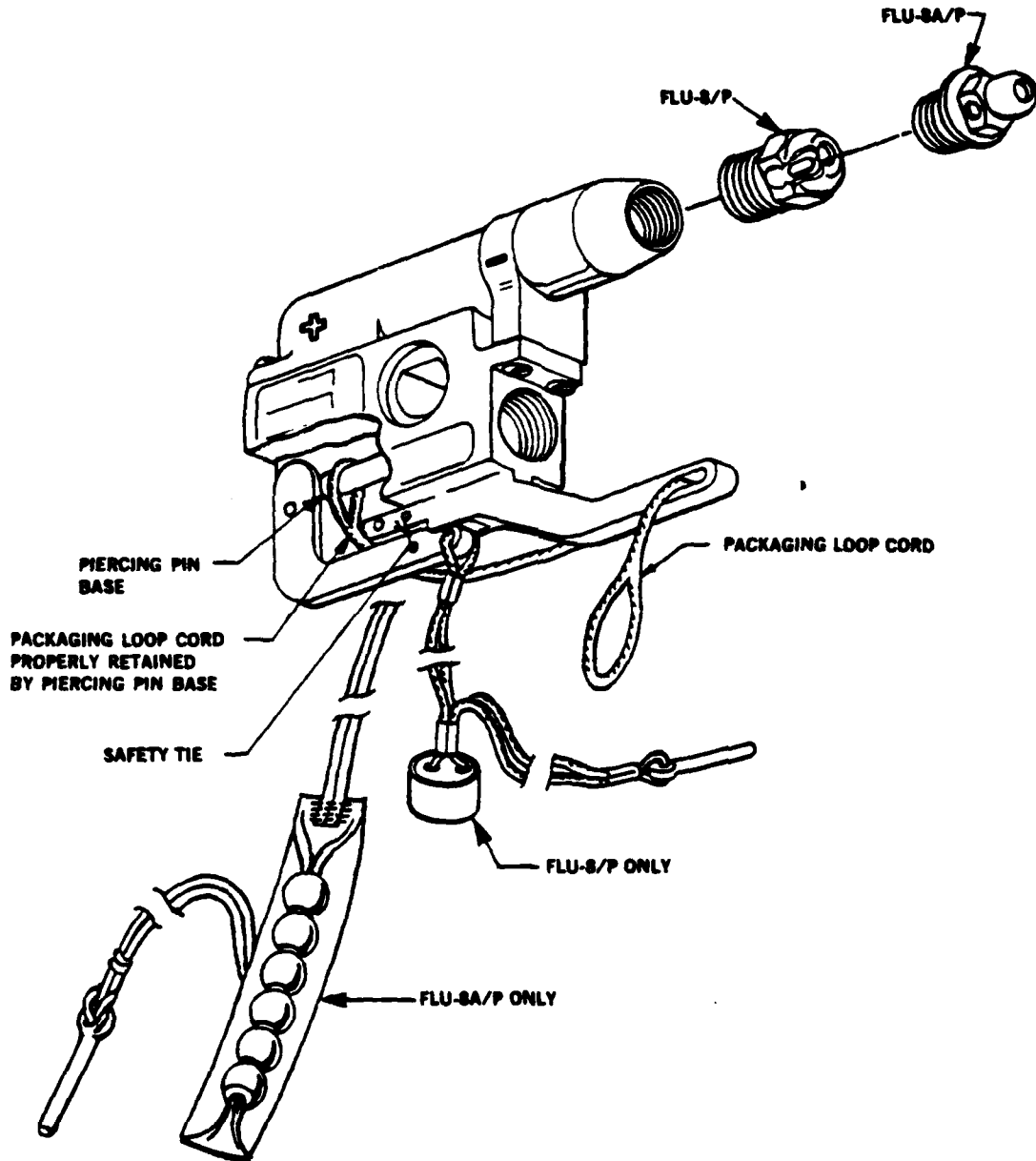


FIGURE 16. PACKAGING CORD LOOP (STEP 6f)

AIRCREW SYSTEMS CHANGE NO. 398 REV A

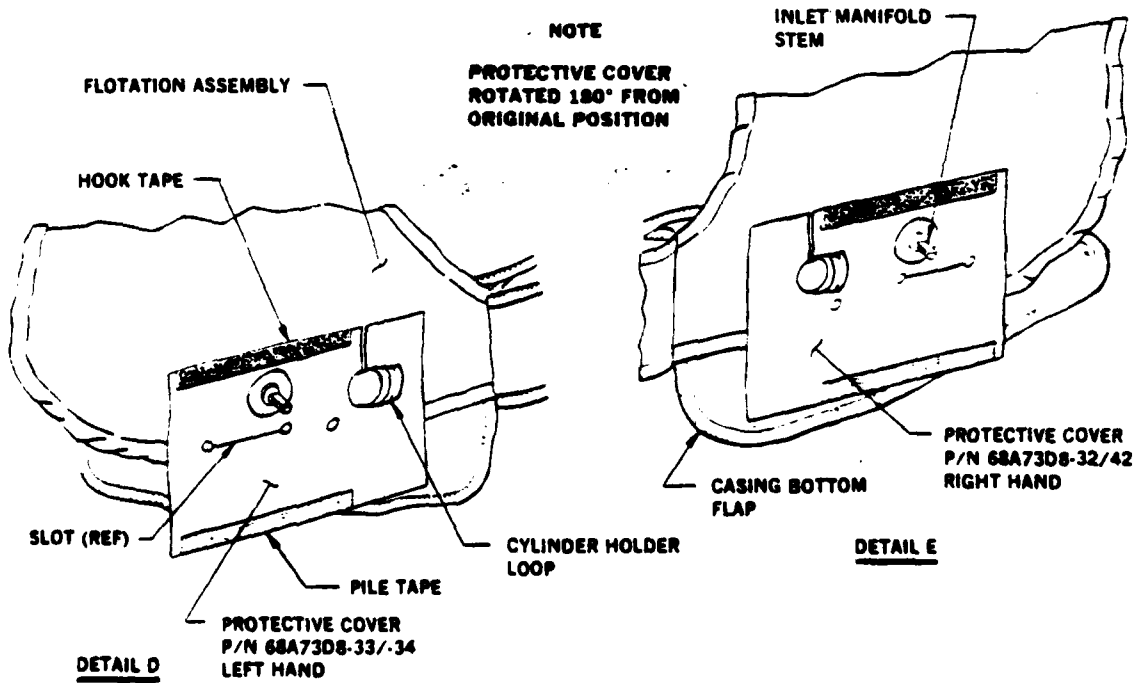
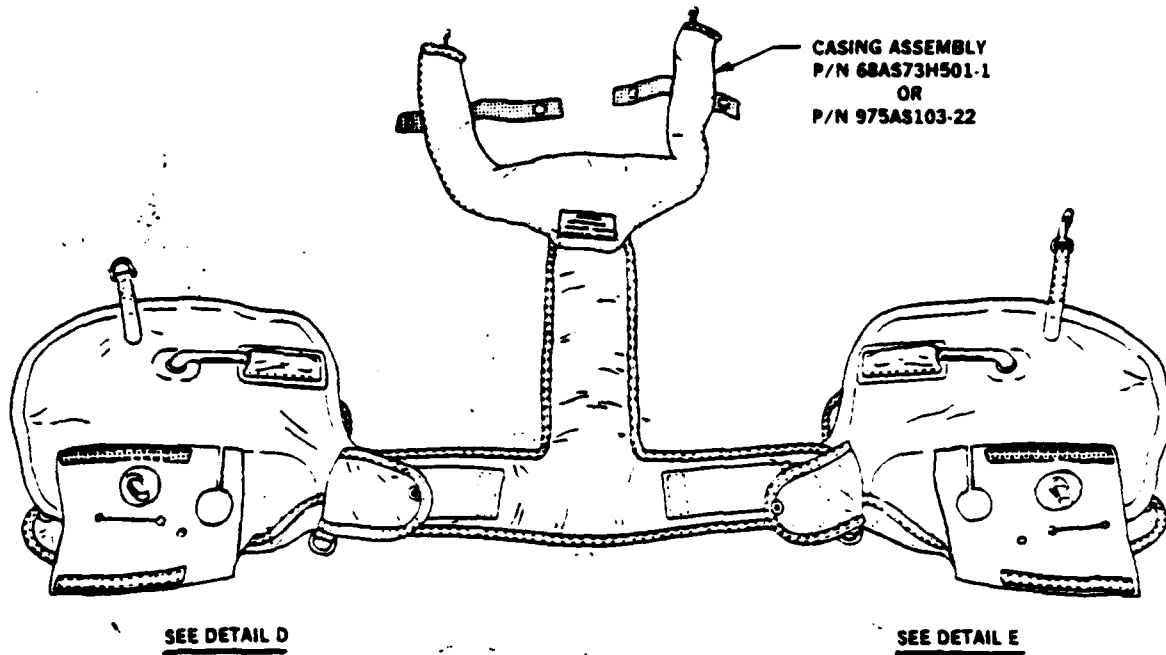


FIGURE 17. PROTECTIVE COVER INSTALLATION (STEP 6g)

AIRCREW SYSTEMS CHANGE NO. 398 REV A

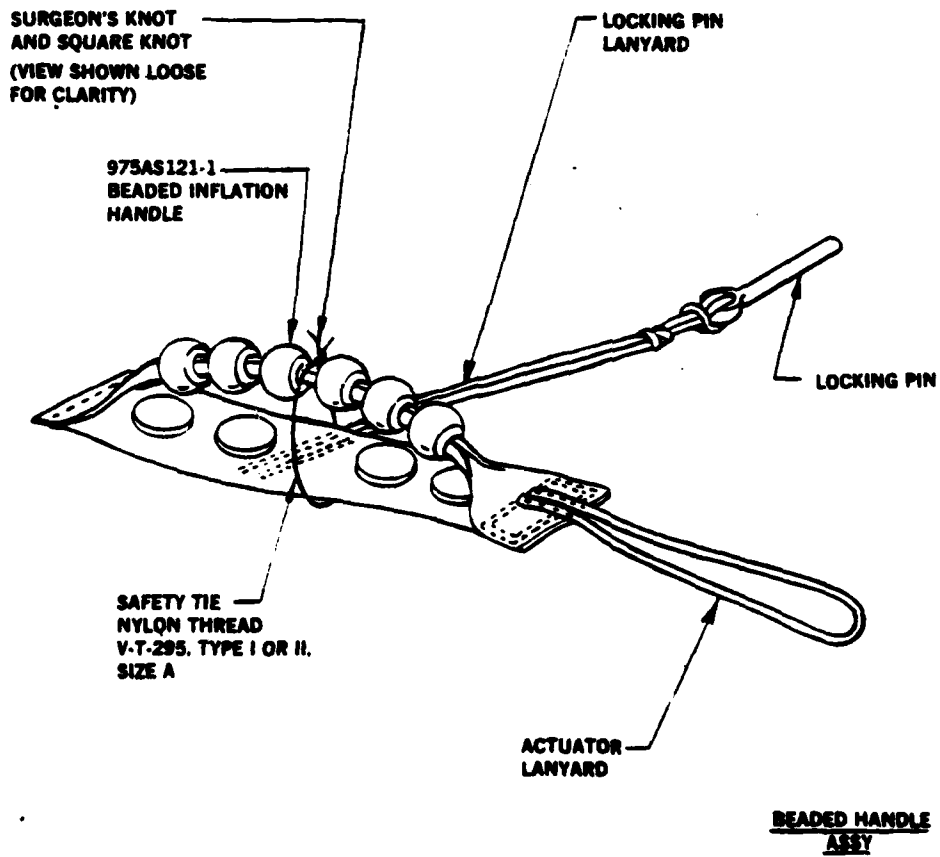


FIGURE 18. BEADED INFLATION HANDLE (STEPS 7a, b & 8d, & e)

AIRCREW SYSTEMS CHANGE NO. 398 REV A

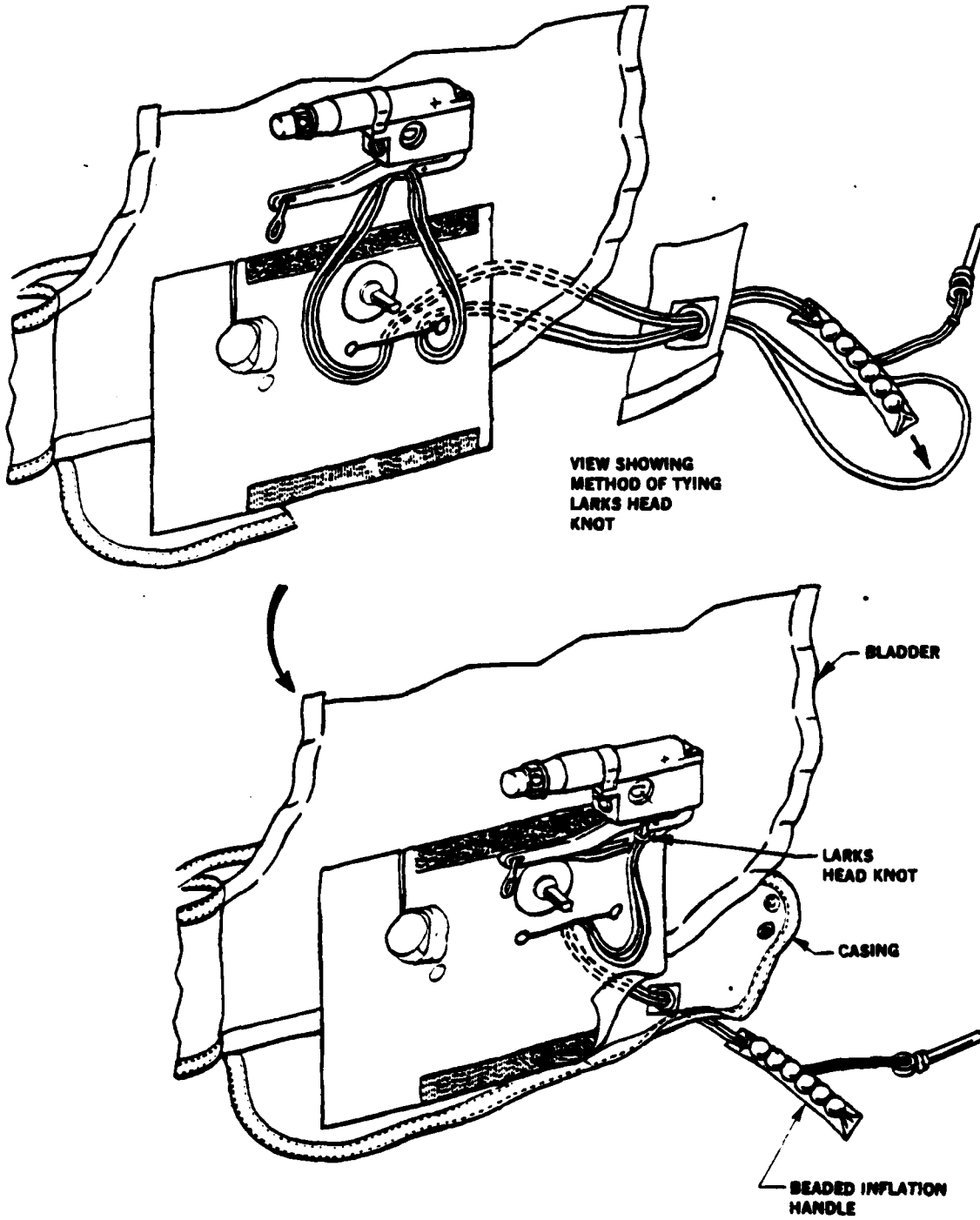


FIGURE 19. ATTACHING BEADED INFLATION HANDLE TO FLU-8A.P
AUTOMATIC INFLATION (STEP 7a & 8d)

AIRCREW SYSTEMS CHANGE NO. 398 REV A

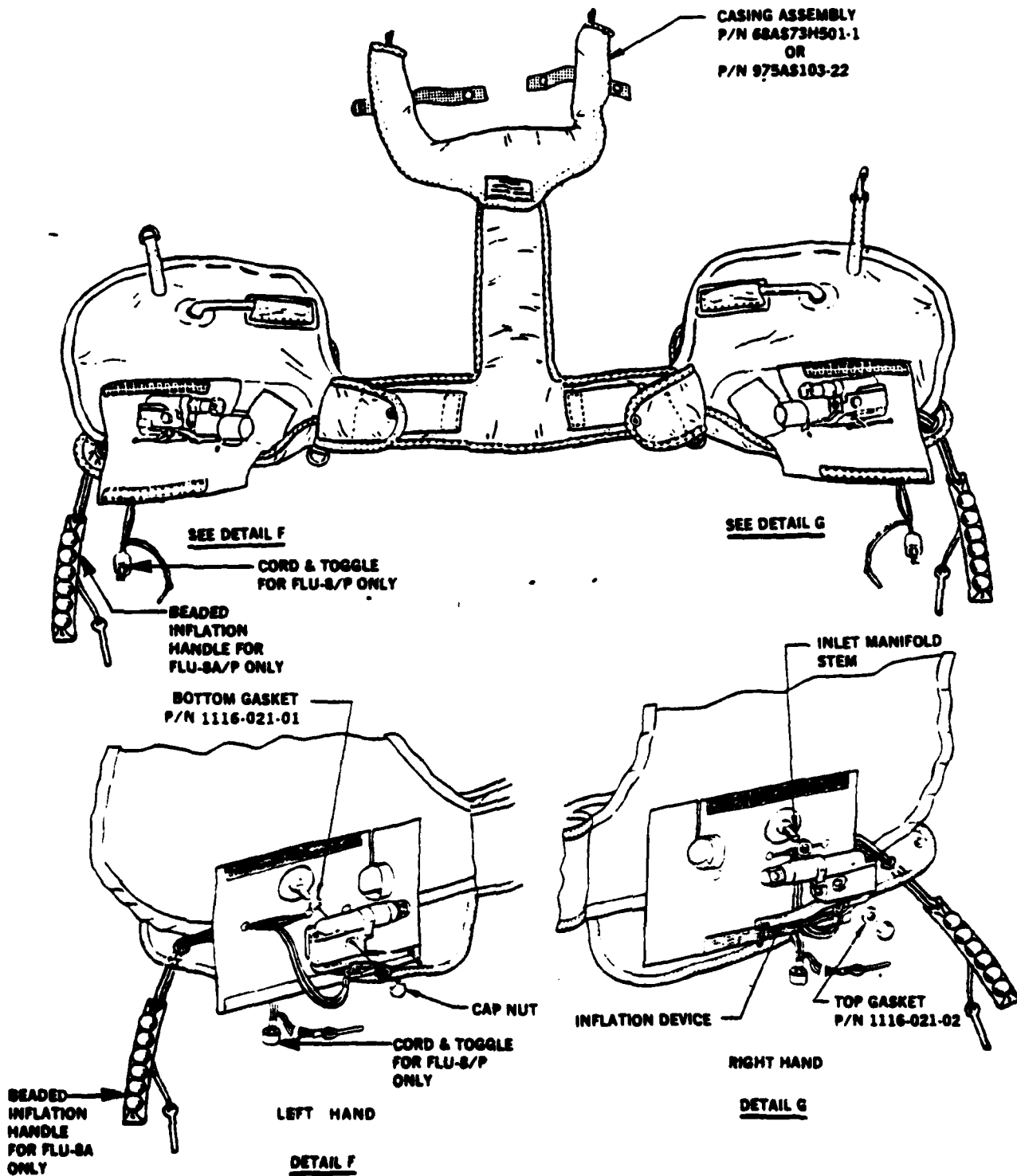


FIGURE 20. INSTALLATION OF FLU-8/P OR FLU-8A/P
AUTOMATIC INFLATION DEVICE (STEP 9a)

AIRCREW SYSTEMS CHANGE NO. 398 REV A

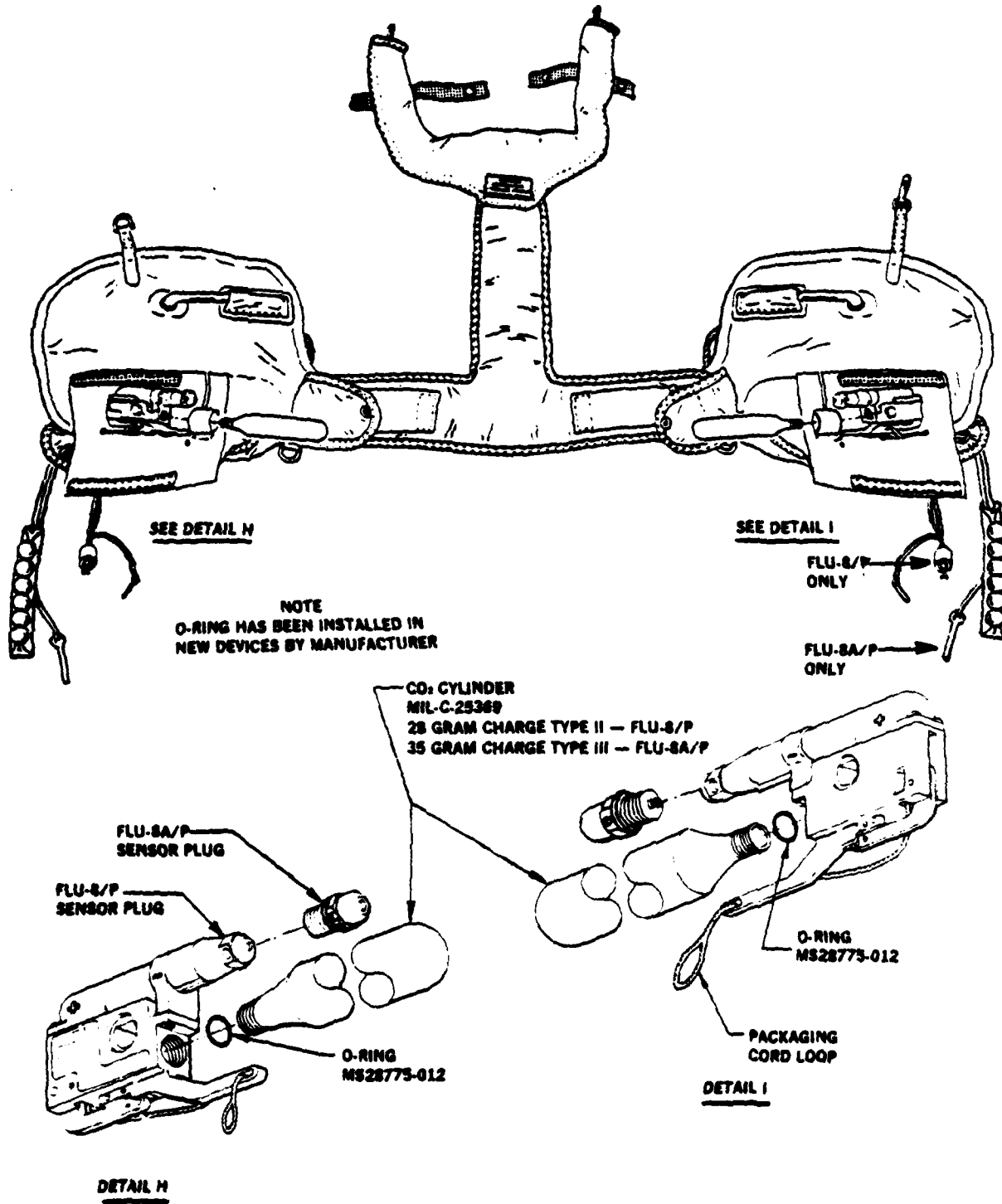


FIGURE 21. CO₂ CYLINDER INSTALLATION (STEP 9b, 9d, 9e)

AIRCREW SYSTEMS CHANGE NO. 398 REV A

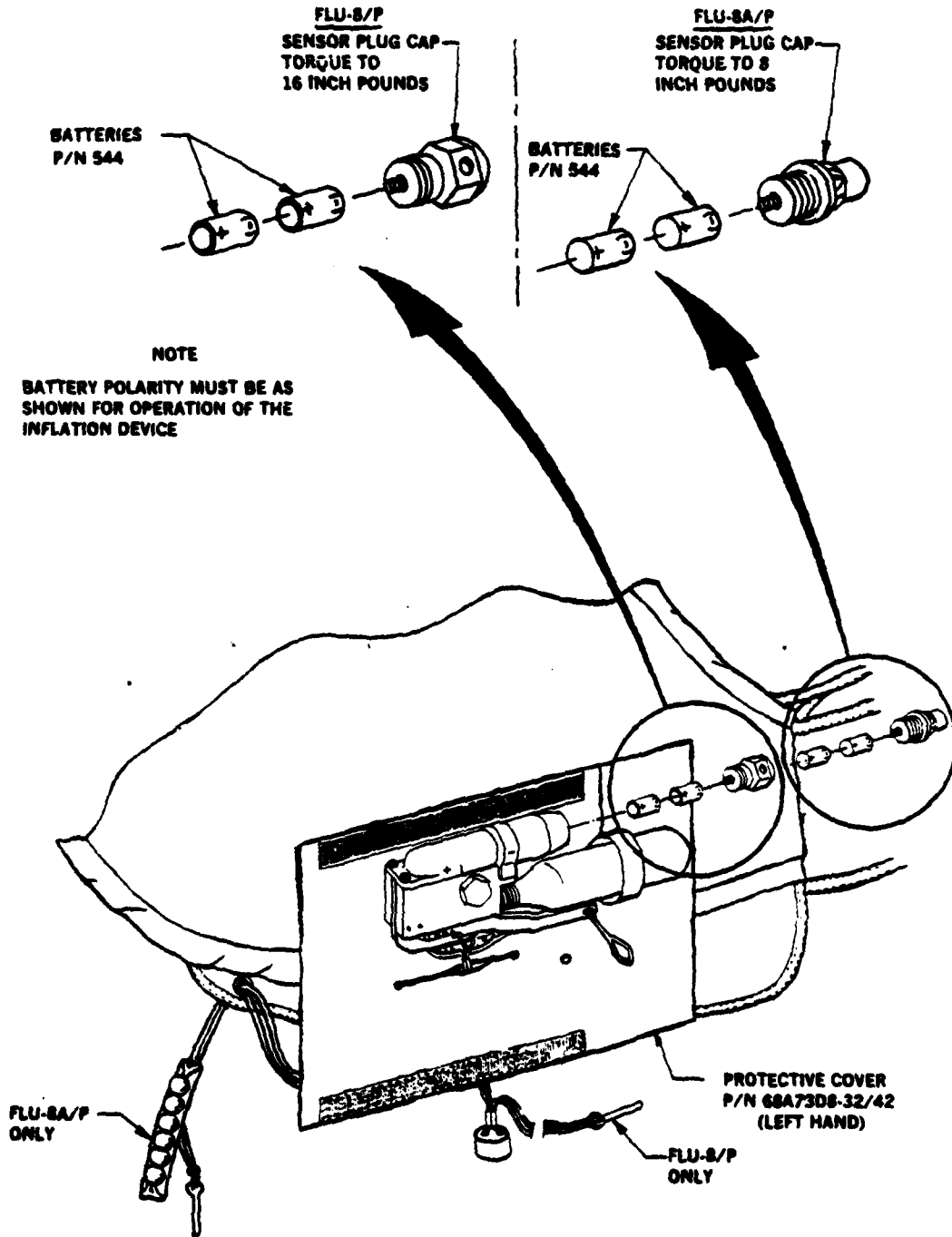


FIGURE 22. BATTERY INSTALLATION (STEP 8c, 10e)

AIRCREW SYSTEMS CHANGE NO. 398 REV A

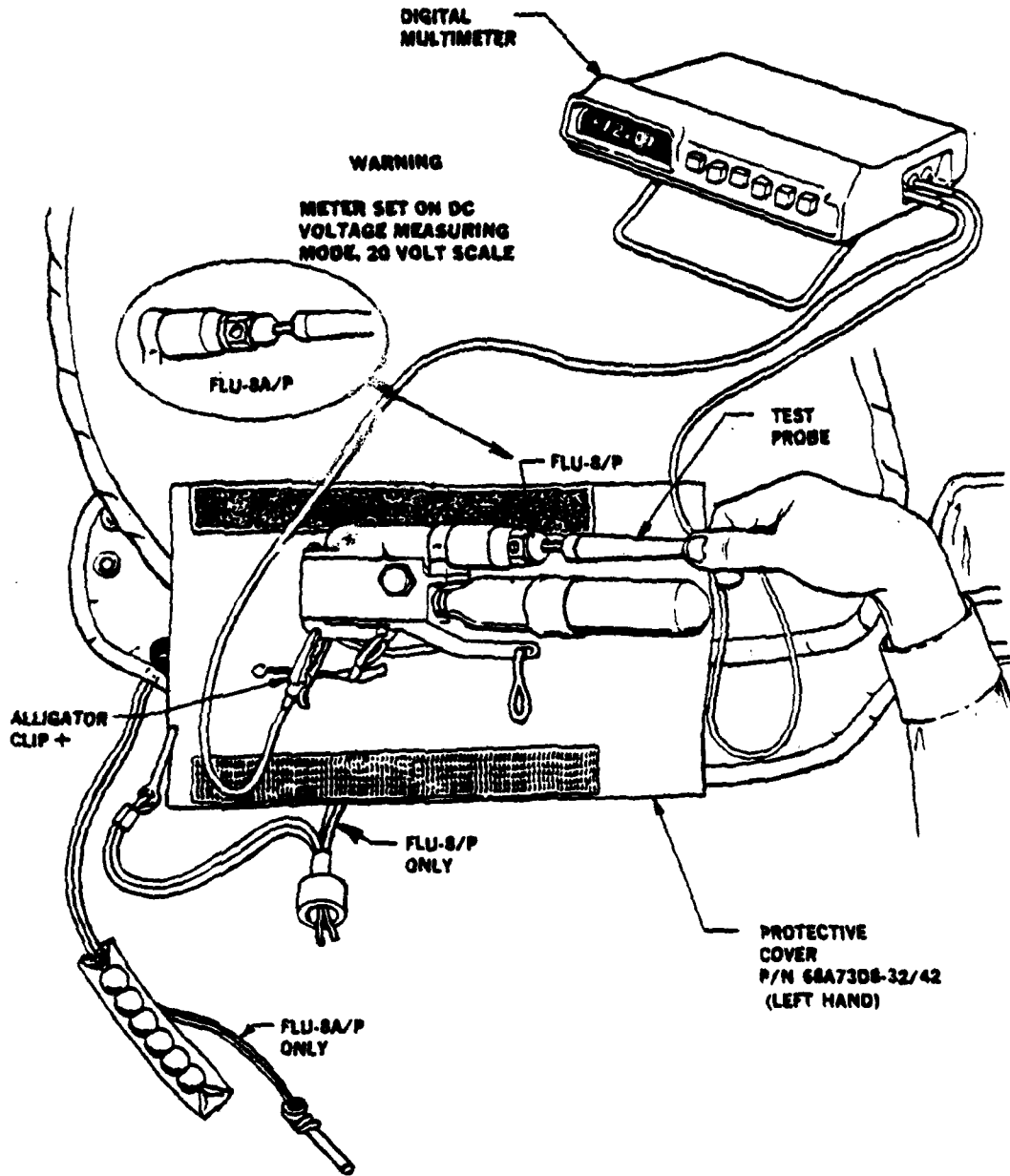


FIGURE 23. BATTERY TESTING (STEP 11b)

AIRCREW SYSTEMS CHANGE NO. 398 REV A

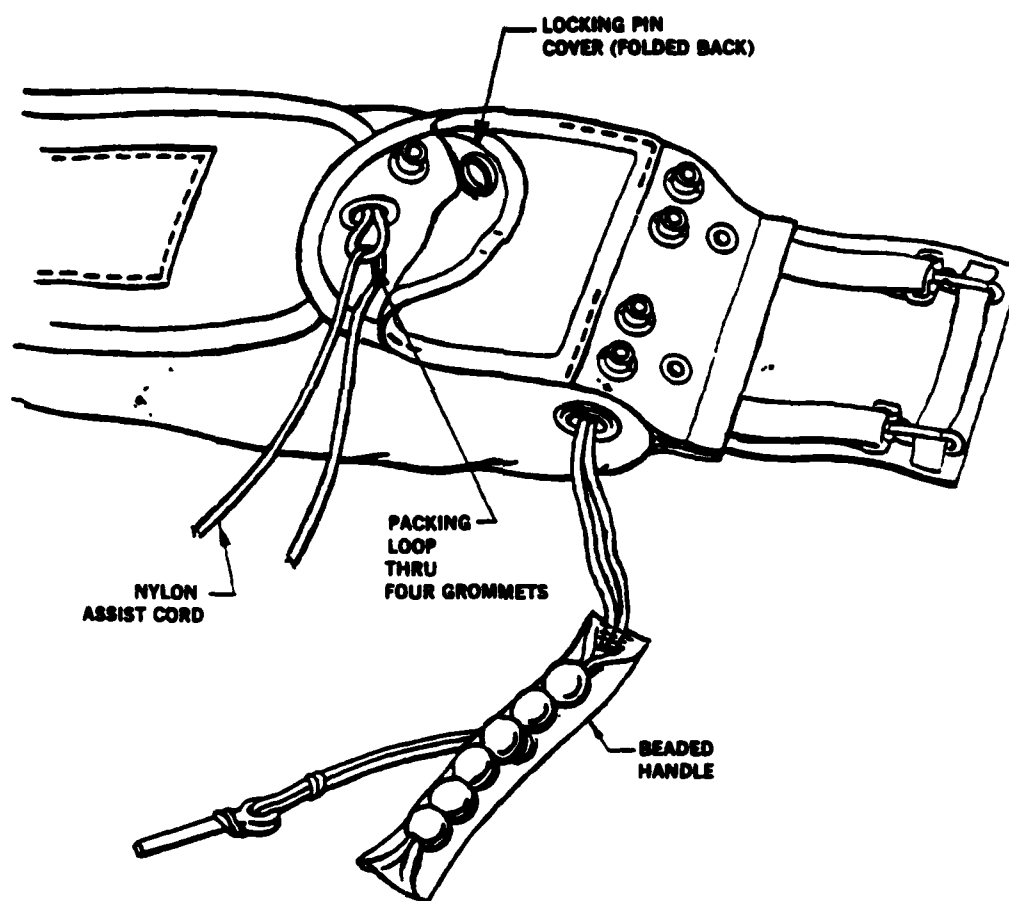
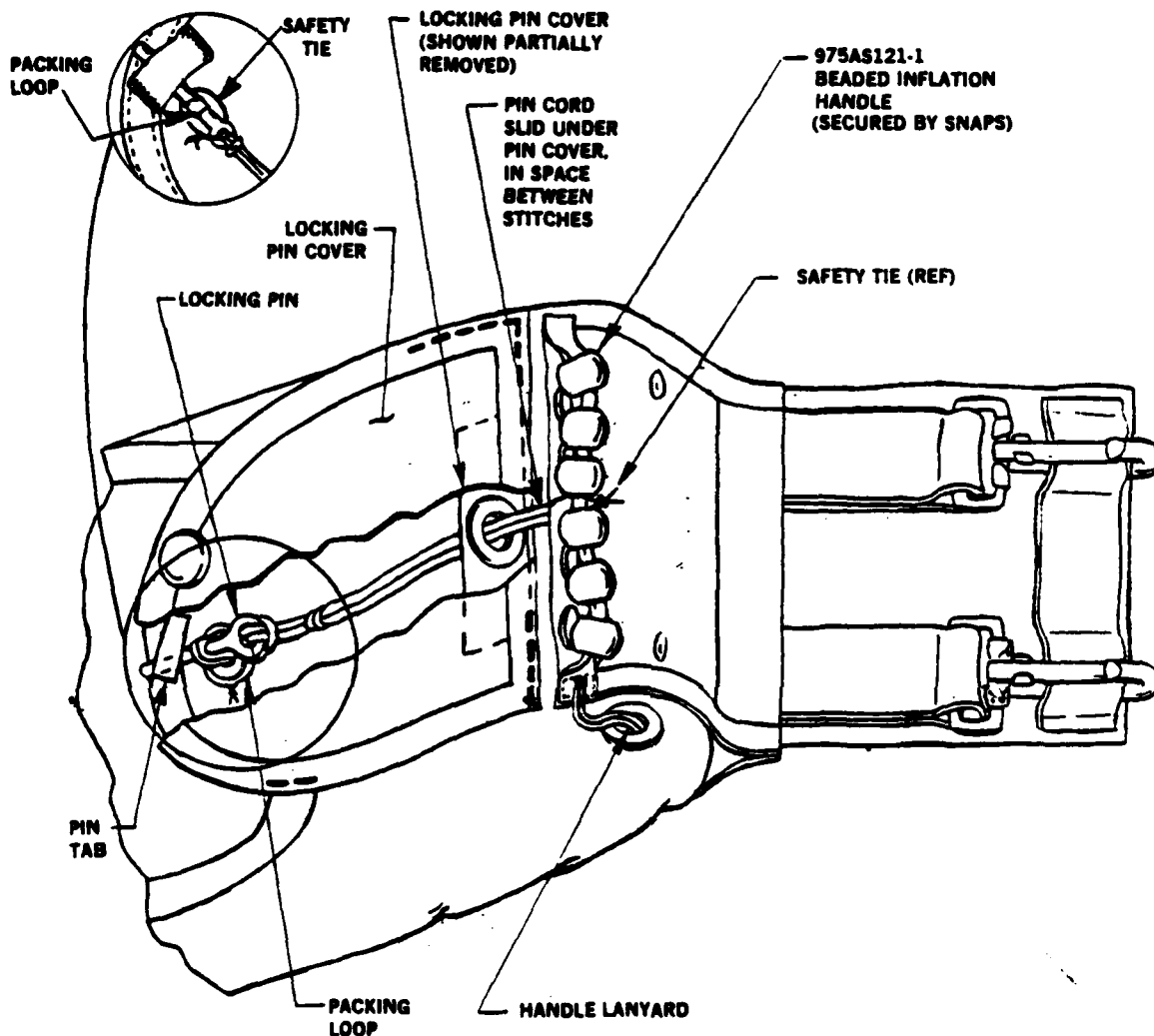


FIGURE 24. CASING FLAPS FOLDED TOGETHER (STEP 13a)

AIRCREW SYSTEMS CHANGE NO. 398 REV A



NOTE:

RIGHT LOBE SHOWN

FIGURE 25. BEADED INFLATION HANDLE ASSEMBLED WITH LIFE PRESERVER CASING (STEP 13b, 13c, 13d)

NADC-81226-60

B-165

6033
7405
25 Sep 1980

From: Commander, Naval Air Development Center
To: Commanding Officer, Naval Air Technical Services Facility
700 Robbins Avenue, Philadelphia, PA 19111

Subj: Aircrew Systems Change No. 398, Rev A: forwarding of

Ref: (a) Aeronautical Requirement 41
(b) NAS Oceana, VA msg 161323Z SEP 80

Encl: (1) Aircrew Systems Change No. 398, Rev A entitled "LPA-2, LPU-21/P, LPU-23/P and LPU-24/P Life Preserver Assemblies For Ejection Seat Aircraft Only, Modification For Incorporation of the PLE-8A/P Automatic Inflation Devices; instructions for (WUC 9631100)"

1. Enclosure (1), prepared by authority of NAVAIR Instructions 5400.14 and 3400.15 and verified in accordance with reference (a), is forwarded for expeditious publication and Fleet distribution. The subject change has been verified with no discrepancies noted and confirmed by reference (b).

2. Request this change be distributed to all foreign countries having Fighter and Attack Aircraft procured through Foreign Military Sales in accordance with NAVAIR Instruction 5605.3A CH-2.

3. Direct liaison pertinent to the subject change may be maintained with this Center, Mr. J. Lowycky, Astovon 441-2400/2412.

J. MARDING
By direction

Copy to:
COMNAVAIRPAC (721)
COMNAVAIRLANT (522.E)
COMTRA (51113)
COMVRES (J214)
NAVAIR (AIR-5311L/-4114A3/-04A2C)
NAVSAFECEN, Norfolk
NAVAIRTECHSERVFAC (216), Philadelphia
NAVAIRLOCEN (2411), Patuxent River
ASO (100-44), Philadelphia
NATTC, Lakehurst

GenFiles COMDF 60DF 6002 603 Files 6033 603312
J. LEWYCKY,hsj,9/25/80;2400

ENCLOSURE (21)

	<u>No. of Copies</u>
H. Koch & Sons, Anaheim, CA (1 for J. A. Muklevicz)	1
Conax Corp. (1 for S. J. Wojdan)	2
ILC Dover (1 for J. McMullen)	1
U.S. Dept of the Interior, Office of Aircraft Services . . . (1 for L. Langdon)	1
Union Carbide Corp. (1 for H. Carpenter)	1
Hi-Shear Corp.	1
Vought Corp. (1 for E. R. Atkins Dept. 2-51753)	1
Dayton T. Brown, Inc. (1 for Test Laboratory Division)	1
Commanding General, U.S. Army Aeromedical Research Lab, Ft. Rucker	1
Commanding General, ARNG Safety Office, Aberdeen Proving Grounds	1
Commanding General, HQ, ASD, Wright-Patterson AFB (3 for Ken Troup)	3
Commanding General, U.S. Army Aviation Systems Command, St. Louis	1
Commanding General, HQ, Fifth Army, Ft. Sam Houston (1 for Mr. A. B. C. Davis)	1
Commanding General, U.S. Army Combat Developments Activity, (Alaska), TRADOC, Ft. Richardson	1
Commanding Officer, David W. Taylor Naval Ship Research and Development Center (1 for Fire Fighting and Survivability Branch)	1
Commanding General, U.S. Army Agency for Aviation Safety, Ft. Rucker	1
Commanding General, U.S. Army Research Institute of Environmental Medicine, Natick	1
Commanding General, U.S. Army Flight Facility, St. Paul . . .	1
Commanding Officer, VXE-6	1
Commanding General, HQ, TRADOC, Ft. Monroe	1
Commanding General, HHC, 22 Avn Bn, Ft. Wanwright	1
David Clark Company, Inc.	1
Payne Inc.	1
Grumman Aerospace Corp.	1
Lockheed Aircraft Corp.	1
United Aircraft Corp.	1
General Dynamics Corp.	1
McDonnell Douglas Corp.	1

No. of Copies

Commanding Officer, Naval Air Rework Facility, Naval Engineering Support Office	2
(2 for Code 321)	
Commanding Officer, FITRON THREE ZERO ONE	2
Commander, Chief of Naval Reserve	1
(1 for Code 57)	
Commanding Officer, VC-13	2
Commanding Officer, VF-302	2
Commanding Officer, Fighter Squadron THREE ZERO TWO	2
Commanding Officer, HELSUPPRON ONE	1
Commanding Officer, Naval Regional Medical Center, Portsmouth	1
Commanding Officer, NAS North Island	1
(1 for Code 582)	
Commanding General, 3rd MAW (FMFPAC Representative)	1
Commanding General, 1st MAW, FMFPAC	1
Commanding Officer, MAG-24, 1st MAR BDE	1
Commander, COMFITAEWWINGPAC	1
(1 for Code 81)	
Chief Naval Air Training	1
(1 for Code 5113)	
Commander, Naval Air Force U.S. Atlantic Fleet	1
(1 for Code 522E)	
Commanding Officer, HC-16	1
Commanding Officer, HC-1	1
Commanding Officer, FASOTRAGRUPAC	2
Commanding Officer, Naval Air Engineering Center, ESSD	1
(1 for Code 9312)	
Commanding Officer, MAG-31	1
Officer in Charge, Branch Clinic, NAS Brunswick	2
Commanding Officer, Naval Weapons Station	2
(2 for Code 3023)	
Commanding Officer, HS-84	1
Commanding General, 2nd Marine Aircraft Wing	1
Commanding Officer, MAG-26, 2nd MAW, FMFLANT	1
Office in Charge, Naval Sea Systems Command Detachment, Combatant Craft Engineering Department, Norfolk	3
Director, National Aeronautics and Space Administration, Houston	3
Commandant, U.S. Coast Guard Headquarters, Office of Research & Development	3
Officer in Charge, U.S. Navy Clothing and Textile Research Facility, Natick	3
Canadian Armed Forces, National Defense Headquarters, Ottawa, Canada	1
Commanding Officer, Naval Avionics Center	1
(1 for Code D432)	

D I S T R I B U T I O N L I S T

REPORT NO. NADC-81226-60

AIRTASK NO. A531531 #001/75310000

	<u>No. of Copies</u>
Commander, Chief of Naval Operations	1
(1 for OP-506N)	
Commander, Naval Air Systems Command	6
(3 for AIR-531)	
(1 for AIR-4114A)	
(1 for AIR-340B)	
(1 for AIR-09E)	
Commanding Officer, Naval Aviation Schools Command	2
Commanding Officer, FASOTRAGRUPAC	1
Commander, Naval Weapons Center	5
(5 for Code 6412)	
Commander, Pacific Missile Test Center	1
(1 for Code 1131)	
Commander, Naval Safety Center	2
Chief of Naval Education & Training	1
(1 for Code 421)	
Commanding Officer, MAWTS-1	1
Commanding Officer, Aviation Supply Office	3
(2 for Code TE044-A)	
Commander, Naval Air Force, U.S. Pacific Fleet	3
(1 for Mr. Ben Withers)	
(1 for Code 7212)	
(1 for Code 711)	
Officer In Charge, Naval Regional Medical Center Aviation Physiology Training Service	1
Commanding Officer, U.S. Coast Guard Air Station, San Diego	2
Marine Corps Development & Education Command Air Branch, Fire Power Division, Development Center	2
(2 for Code D09-2)	
Commander, Light Attack Wing Pacific	1
(1 for Code 9733)	
Commanding Officer, Naval Air Technical Services Facility	1
Commanding Officer, Naval Air Rework Facility	1
(1 for Code 3331)	
Commanding Officer, H&HS-48 MACG-48	2

ATE
LMED
-8