

AD-A116 602

CENTER FOR NAVAL ANALYSES ALEXANDRIA VA MARINE CORP--ETC F/G 13/10
A METHOD FOR INCREASING THE FIREPOWER OF VIRGINIA CLASS CRUISER--ETC(U)
APR 82 M LEVIN N00014-76-C-0001
CNA-PP-350 NL

UNCLASSIFIED

1 of 1
AD-A116602



END
DATE
FILMED
07-82
DTIC

21

AD A116602

A METHOD FOR INCREASING THE FIREPOWER OF VIRGINIA CLASS CRUISERS

Marc Levin

DTIC FILE COPY

DTIC
SELECTED
JUL 7 1982
A



This document has been approved for public release and sale; its distribution is unlimited.

CENTER FOR NAVAL ANALYSES

82 02 06 013

The ideas expressed in this paper are those of the author.
The paper does not necessarily represent the views of the
Center for Naval Analyses.

A METHOD FOR INCREASING THE FIREPOWER OF VIRGINIA CLASS CRUISERS

Marc Levin

N00014-76-C-0001



Marine Corps Operations Analysis Group

CENTER FOR NAVAL ANALYSES

2000 North Beauregard Street, Alexandria, Virginia 22311

A

In August 1980, the Proceedings published an article* examining the surface warfare capabilities of our surface combatants. Figure 1, reprinted from that article, shows the number of missiles that would be required against a battle group assuming that all of the targets are of equal value, are undefended, and must be hit by at least one attacking missile. The number of missiles required increases rapidly with the number of targets. Rogers and Palermo then showed how additional missiles could be fitted on Perry class frigates by modifying either the structure or the LAMPS Mk III capabilities of the ship.

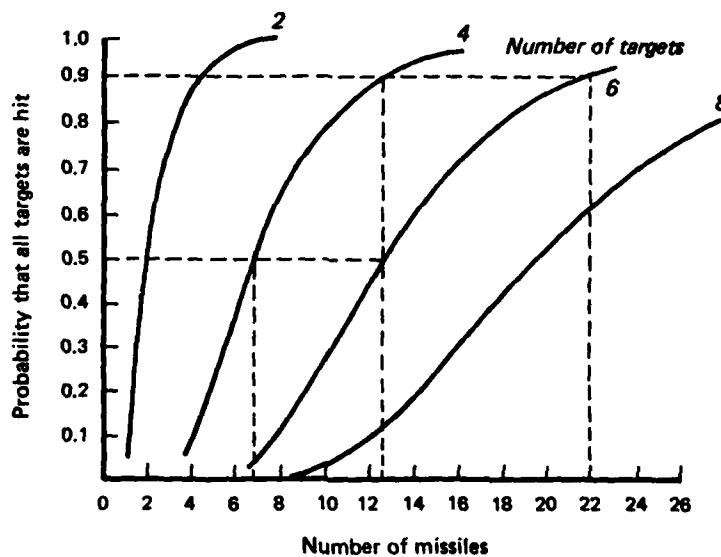


FIG. 1: CRUISE MISSILE FIRING ANALYSES

*Rogers, Patrick and Palermo, Donald, "Will Our Ships Have Enough Cruise Missile Firepower?" U.S. Naval Institute Proceedings 106 (Aug 1980): 91-96

2
This article examines another possible way of getting additional cruise missile firepower to sea in the near term. Virginia class (CGN 38-41, figure 2) cruisers were chosen because of their unique design--they are the first U.S. ships since World War II designed with a stern hangar. There is no place where additional missiles could be installed on the weather deck without structural changes or limiting the azimuth of the current guns and/or missiles. The hangar, though, provides the opportunity to add two additional quad launchers without modifying the ship's structure. Currently these ships are required to be able to launch, recover, and stow either an SH-2 or SH-3 helicopter. While they regularly recover and launch helos, they have never deployed with a helicopter. The hangars have been used for various other purposes such as a crew's recreation area or as additional storage room. A decision should be made to require these ships to stow a helicopter or alternatively to be able to launch additional cruise missiles.

7
Figures 3 and 4 picture the Harpoon command and launch subsystem as it is presently installed on many surface ships. The "Grade B" launcher is fitted on cruisers and destroyers while the "Lightweight" launcher is to be installed on all PHM class ships. The difference between the launchers is their ability to withstand shock. The lightweight launcher is significantly narrower and weighs 8,532 pounds versus 13,867 pounds

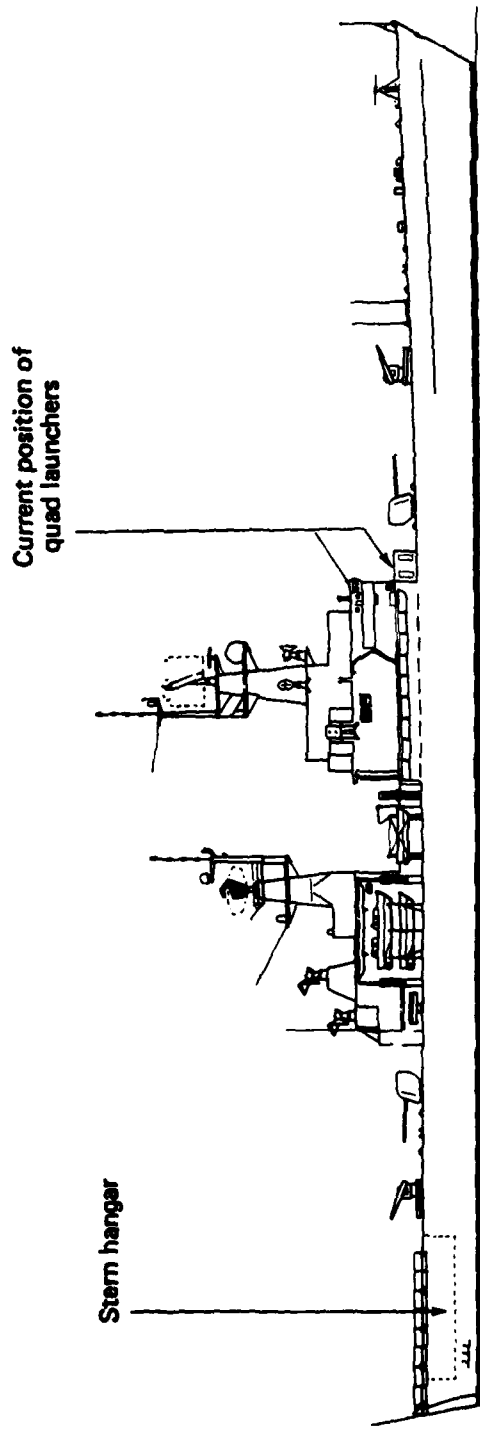
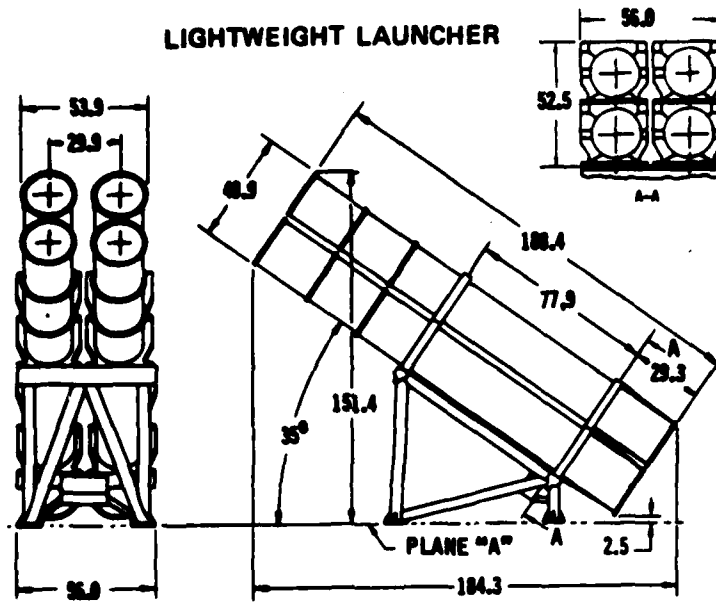


FIG. 2: LINE DRAWING OF VIRGINIA SHOWING CURRENT LAUNCHERS AND LOCATION OF HANGAR

LIGHTWEIGHT LAUNCHER

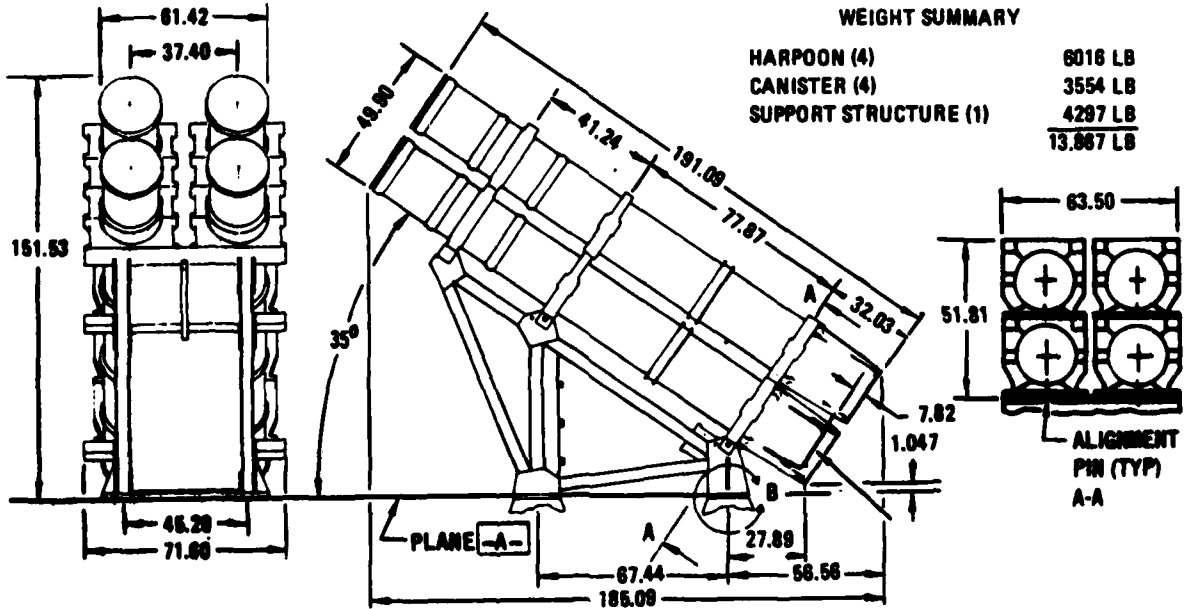


ALL DIMENSIONS IN INCHES

WEIGHT SUMMARY

HARPOON (4)	6008 LB
CANISTER (4)	1876 LB
SUPPORT STRUCTURE (1)	648 LB
	<u>8532 LB</u>

GRADE B



WEIGHT SUMMARY

HARPOON (4)	6016 LB
CANISTER (4)	3554 LB
SUPPORT STRUCTURE (1)	4297 LB
	<u>13,867 LB</u>

FIG. 4: HARPOON CANISTER LAUNCHER

for the Grade B launcher. The Virginia class is equipped with a stern hangar that is 42 feet long and 14 feet wide. The weather deck on the fantail folds forward and an elevator is lifted from the third deck using four cables. The elevator is capable of lifting an SH-3 weighing 20,500 pounds but was not able to lift a van of 30,000 pound in a recent trial. Due to the size of the launchers and the limitations of the Harpoon command system, only two launchers could be placed on the elevator. The launchers could be oriented 30 degrees off the centerline.

The Grade B launchers, weighing 13,867 pounds each, are too heavy for the elevator. The lightweight launcher, therefore, would have to be used for this installation. These missiles would be protected in the hangar until ready to fire and then elevated to deck level. They could not withstand as strong a blast as the current launchers while on the deck, but will be adequately protected from the environment and blast while stowed in the hangar.

Figure 5 pictures the additional launchers facing at 150 and 330 degrees relative. (The same results are obtained by placing the launchers at 30 and 210 degrees.) This results in eight missile coverage of all sectors, effectively doubling the current possible salvo size. A more advantageous positioning would put the missiles at 030 and 330 degrees (figure 6). This results in additional firepower in the forward sector where the probability of threat engagement should be higher. As many as

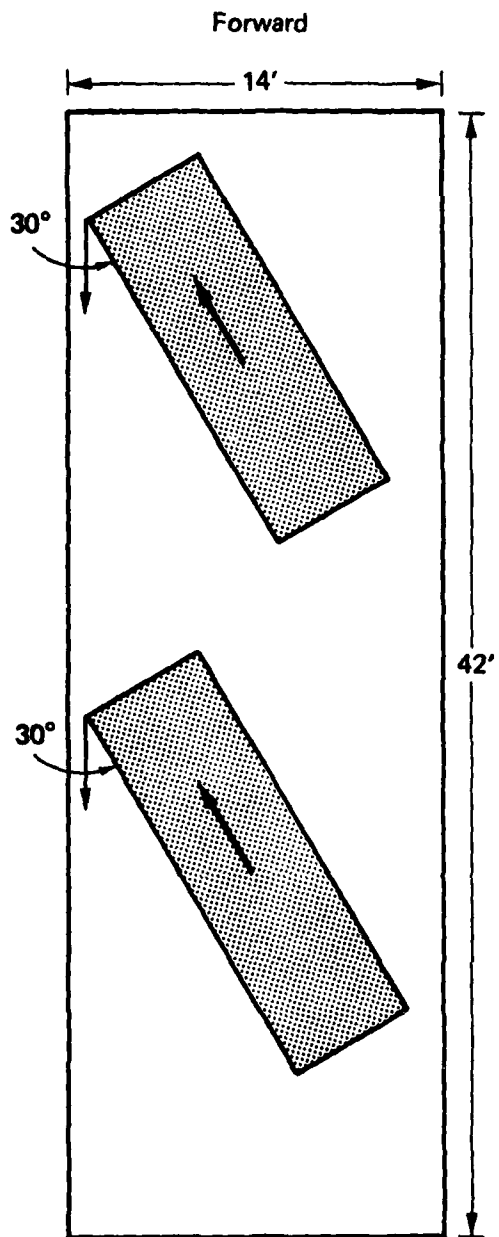


FIG. 5: ADDITIONAL LAUNCHERS AT 150° AND 330°

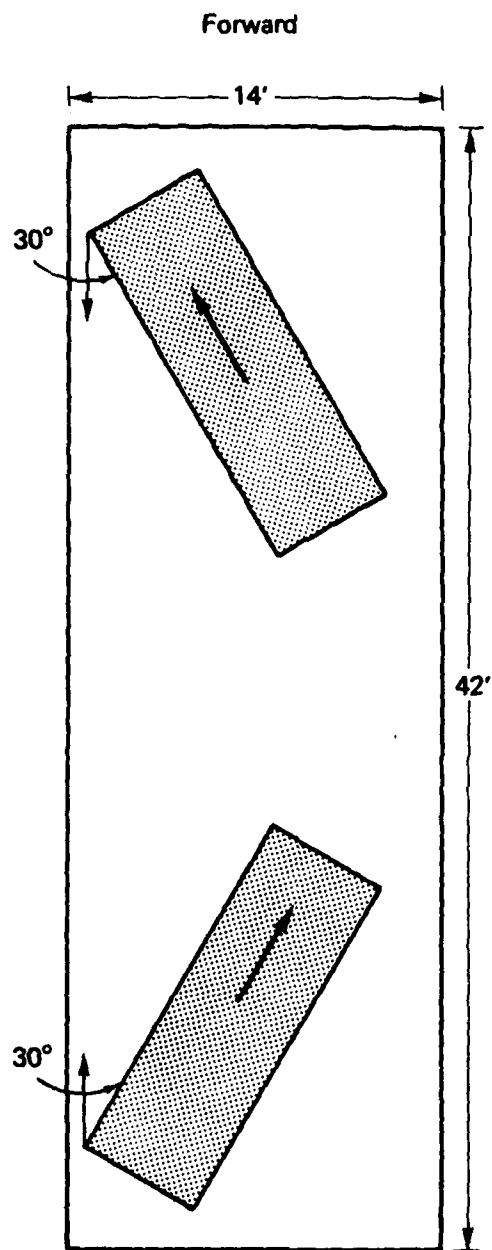


FIG. 6: ADDITIONAL LAUNCHERS AT 030° AND 330°

twelve missiles (figure 7) could be fired in a single salvo with this configuration. Both configurations greatly increase the surface firepower of these ships with only a minor modification. These ships would not be able to stow helicopters. There would be no change, however, in their ability to launch and recover helicopters. Since these ships do not currently (and will not in the foreseeable future) stow helos, such a change would have substantial positive impact on their real operational capability.

In conclusion, this plan provides for additional firepower in the near term at very little cost. Until the arrival of Tomahawk and vertical launch systems, our surface ships are critically lacking in ASUW capabilities and everything possible should be done to correct this.

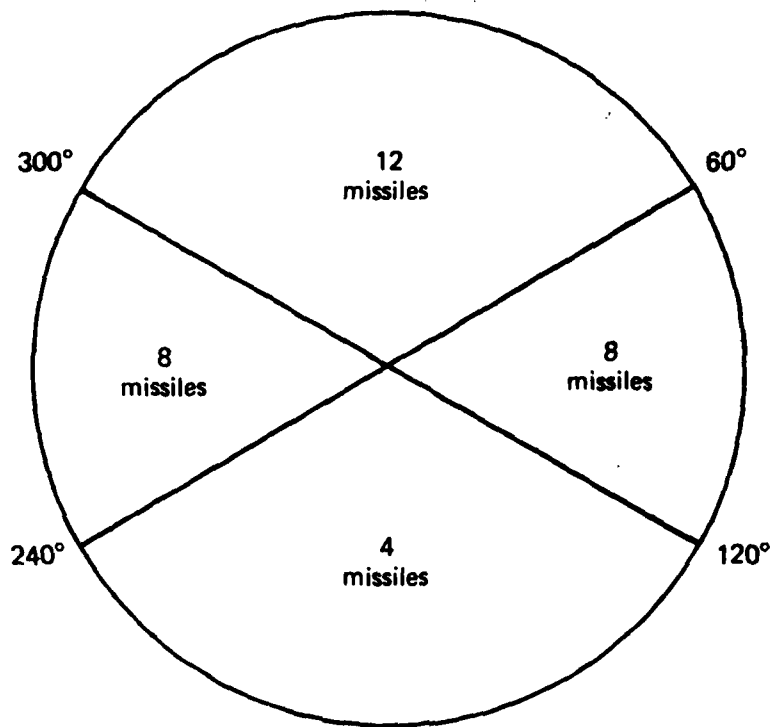


FIG. 7: SALVO SIZES POSSIBLE WITH ADDITIONAL MISSILES FACING 030° AND 330°

ONA PROFESSIONAL PAPERS - 1978 TO PRESENT*

- PP 211
Mizrahi, Maurice M., "On Approximating the Circular Coverage Function," 14 pp., Feb 1978, AD A054 429
- PP 212
Mangel, Marc, "On Singular Characteristic Initial Value Problems with Unique Solution," 20 pp., Jun 1978, AD A058 535
- PP 213
Mangel, Marc, "Fluctuations in Systems with Multiple Steady States. Application to Lancheater Equations," 12 pp., Feb 78 (Presented at the First Annual Workshop on the Information Linkage Between Applied Mathematics and Industry, Naval PG School, Feb 23-25, 1978), AD A071 472
- PP 214
Weinland, Robert G., "A Somewhat Different View of The Optimal Naval Posture," 37 pp., Jun 1978 (Presented at the 1978 Convention of the American Political Science Association (APSA/IUS Panel on "Changing Strategic Requirements and Military Posture"), Chicago, Ill., September 2, 1976), AD A056 228
- PP 215
Collie, Russell C., "Comments on: Principles of Information Retrieval by Manfred Kochen," 10 pp., Mar 78 (Published as a Letter to the Editor, Journal of Documentation, Vol. 31, No. 4, pages 298-301), December 1975), AD A054 426
- PP 216
Collie, Russell C., "Lotka's Frequency Distribution of Scientific Productivity," 18 pp., Feb 1978 (Published in the Journal of the American Society for Information Science, Vol. 28, No. 6, pp. 366-370, November 1977), AD A054 425
- PP 217
Collie, Russell C., "Bibliometric Studies of Scientific Productivity," 17 pp., Mar 78 (Presented at the Annual meeting of the American Society for Information Science held in San Francisco, California, October 1976), AD A054 442
- PP 218 - Classified
- PP 219
Huntzinger, R. LaVar, "Market Analysis with Rational Expectations: Theory and Estimation," 60 pp., Apr 78, AD A054 422
- PP 220
Maurer, Donald E., "Diagonalization by Group Metrics," 26 pp., Apr 78, AD A054 443
- PP 221
Weinland, Robert G., "Superpower Naval Diplomacy in the October 1973 Arab-Israeli War," 76 pp., Jun 1978 (Published in *Seapower in the Mediterranean: Political Utility and Military Constraints*, The Washington Papers No. 61, Beverly Hills and London: Sage Publications, 1979) AD A055 564
- PP 222
Mizrahi, Maurice M., "Correspondence Rules and Path Integrals," 30 pp., Jun 1978 (Invited paper presented at the CNRS meeting on "Mathematical Problems in Feynman's Path Integrals," Marseille, France, May 22-26, 1978) (Published in Springer Verlag Lecture Notes In Physics, 106, (1979), 234-253) AD A055 536
- PP 223
Mangel, Marc, "Stochastic Mechanics of Molecule-Molecule Reactions," 21 pp., Jun 1978, AD A056 227
- PP 224
Mangel, Marc, "Aggregation, Bifurcation, and Extinction in Exploited Animal Populations," 48 pp., Mar 1978, AD A058 536
*Portions of this work were started at the Institute of Applied Mathematics and Statistics, University of British Columbia, Vancouver, B.C., Canada
- PP 225
Mangel, Marc, "Oscillations, Fluctuations, and the Hopf Bifurcation," 43 pp., Jun 1978, AD A058 537
*Portions of this work were completed at the Institute of Applied Mathematics and Statistics, University of British Columbia, Vancouver, Canada.
- PP 226
Raiston, J. M. and J. W. Mann, "Temperature and Current Dependence of Degradation in Red-Emitting GaP LEDs," 34 pp., Jun 1978 (Published in Journal of Applied Physics, 50, 3650, May 1979) AD A058 538
*Bell Telephone Laboratories, Inc.
- PP 227
Mangel, Marc, "Uniform Treatment of Fluctuations at Critical Points," 50 pp., May 1978, AD A058 539
- PP 228
Mangel, Marc, "Relaxation at Critical Points: Deterministic and Stochastic Theory," 54 pp., Jun 1978, AD A058 540
- PP 229
Mangel, Marc, "Diffusion Theory of Reaction Rates, I: Formulation and Einstein-Smoluchowski Approximation," 50 pp., Jan 1978, AD A058 541
- PP 230
Mangel, Marc, "Diffusion Theory of Reaction Rates, II: Ornstein-Uhlenbeck Approximation," 34 pp., Feb 1978, AD A058 542
- PP 231
Wilson, Desmond P., Jr., "Naval Projection Forces: The Case for a Responsive NAF," Aug 1978, AD A054 543
- PP 232
Jacobson, Louis, "Can Policy Changes Be Made Acceptable to Labor?" Aug 1978 (Submitted for publication in *Industrial and Labor Relations Review*), AD A061 528

*ONA Professional Papers with an AD number may be obtained from the National Technical Information Service, U.S. Department of Commerce, Springfield, Virginia 22151. Other papers are available from the Management Information Office, Center for Naval Analysis, 2000 North Beauregard Street, Alexandria, Virginia 22311. An Index of Selected Publications is also available on request. The index includes a listing of Professional Papers; with abstracts; issued from 1969 to June 1981.

- PP 233
Jacobson, Louis, "An Alternative Explanation of the Cyclical Pattern of Quits," 23 pp., Sep 1978
- PP 234 - Revised
Jondrow, James and Levy, Robert A., "Does Federal Expenditure Displace State and Local Expenditure: The Case of Construction Grants," 25 pp., Oct 1979, AD A061 529
- PP 235
Mizrahi, Maurice M., "The Semiclassical Expansion of the Anharmonic-Oscillator Propagator," 41 pp., Oct 1978 (Published in *Journal of Mathematical Physics* 20 (1979) pp. 844-855), AD A061 538
- PP 237
Maurer, Donald, "A Matrix Criterion for Normal Integral Bases," 10 pp., Jan 1979 (Published in the *Illinois Journal of Mathematics*, Vol. 22 (1978), pp. 672-681)
- PP 238
Utgoff, Kathleen Classen, "Unemployment Insurance and The Employment Rate," 20 pp., Oct 1978 (Presented at the Conference on Economic Indicators and Performance: The Current Dilemma Facing Government and Business Leaders, presented by Indiana University Graduate School of Business). AD A061 527
- PP 239
Trost, R. P. and Warner, J. T., "The Effects of Military Occupational Training on Civilian Earnings: An Income Selectivity Approach," 38 pp., Nov 1979k, AD A077 831
- PP 240
Powers, Bruce, "Goals of the Center for Naval Analyses," 13 pp., Dec 1978, AD A063 759
- PP 241
Mangel, Marc, "Fluctuations at Chemical Instabilities," 24 pp., Dec 1978 (Published in *Journal of Chemical Physics*, Vol. 69, No. 8, Oct 15, 1978). AD A063 787
- PP 242
Slapson, William R., "The Analysis of Dynamically Interactive Systems (Air Combat by the Numbers)," 160 pp., Dec 1978, AD A063 760
- PP 243
Slapson, William R., "A Probabilistic Formulation of Murphy Dynamics as Applied to the Analysis of Operational Research Problems," 18 pp., Dec 1978, AD A063 761
- PP 244
Sherman, Allen and Horowitz, Stanley A., "Maintenance Costs of Complex Equipment," 20 pp., Dec 1978 (Published by The American Society of Naval Engineers, *Naval Engineers Journal*, Vol. 91, No. 6, Dec 1979) AD A071 473
- PP 245
Slapson, William R., "The Accelerometer Methods of Obtaining Aircraft Performance from Flight Test Data (Dynamic Performance Testing)," 403 pp., Jun 1979, AD A075 226
- PP 246
Brechtling, Frank, "Layoffs and Unemployment Insurance," 35 pp., Feb 1979 (Presented at the NBER Conference on "Low Income Labor Markets," Chicago, Jun 1978), AD A096 629
- PP 248
Thomas, James A., Jr., "The Transport Properties of Dilute Gases in Applied Fields," 183 pp., Mar 1979, AD A096 464
- PP 249
Glasser, Kenneth S., "A Secretary Problem with a Random Number of Choices," 23 pp., Mar 1979
- PP 250
Mangel, Marc, "Modeling Fluctuations in Macroscopic Systems," 26 pp., Jun 1979
- PP 251
Trost, Robert P., "The Estimation and Interpretation of Several Selectivity Models," 37 pp., Jun 1979, AD A075 941
- PP 252
Nunn, Walter R., "Position Finding with Prior Knowledge of Covariance Parameters," 5 pp., Jun 1979 (Published in *IEEE Transactions on Aerospace & Electronic Systems*, Vol. AES-15, No. 3, Mar 1979)
- PP 253
Glasser, Kenneth S., "The d-Choice Secretary Problem," 32 pp., Jun 1979, AD A075 225
- PP 254
Mangel, Marc and Quanbeck, David B., "Integration of a Bivariate Normal Over an Offset Circle," 14 pp., Jun 1979, AD A096 471
- PP 255 - Classified, AD 8051 441L
- PP 256
Maurer, Donald E., "Using Personnel Distribution Models," 27 pp., Feb 1980, AD A082 218
- PP 257
Thaler, R., "Discounting and Fiscal Constraints: Why Discounting is Always Right," 10 pp., Aug 1979, AD A075 224
- PP 258
Mangel, Marc S. and Thomas, James A., Jr., "Analytical Methods in Search Theory," 86 pp., Nov 1979, AD A077 832
- PP 259
Glass, David V.; Hsu, Ih-Ching; Nunn, Walter R., and Perin, David A., "A Class of Commutative Markov Matrices," 17 pp., Nov 1979, AD A077 833
- PP 260
Mangel, Marc S. and Cope, Davis K., "Detection Rate and Sweep Width in Visual Search," 14 pp., Nov 1979, AD A077 834
- PP 261
Vila, Carlos L.; Zvijac, David J. and Ross, John, "Franck-Condon Theory of Chemical Dynamics. VI. Angular Distributions of Reaction Products," 14 pp., Nov 1979 (Reprinted from *Journal of Chemical Phys.* 70(12), 15 Jun 1979), AD A076 287
- PP 262
Peterson, Charles C., "Third World Military Elites in Soviet Perspective," 50 pp., Nov 1979, AD A077 835
- PP 263
Robinson, Kathy I., "Using Commercial Tankers and Containerships for Navy Underway Replenishment," 23 pp., Nov 1979, AD A077 836

- PP 264
Weinland, Robert G., "The U.S. Navy in the Pacific: Past, Present, and Glissas of the Future," 31 pp., Nov 1979 (Delivered at the International Symposium on the Sea, sponsored by the International Institute for Strategic Studies, The Brookings Institution and the Yomiuri Shimbun, Tokyo, 16-20 Oct 1978) AD A066 837
- PP 265
Weinland, Robert G., "War and Peace in the North: Some Political Implications of the Changing Military Situation in Northern Europe," 18 pp., Nov 1979 (Prepared for presentation to the Conference of the Nordic Balance in Perspective: The Changing Military and Political Situation," Center for Strategic and International Studies, Georgetown University, Jun 15-16, 1978) AD A077 838
- PP 266
Utgoff, Kathy Classen, and Brechling, Frank, "Taxes and Inflation," 25 pp., Nov 1979, AD A081 194
- PP 267
Trost, Robert P., and Vogel, Robert C., "The Response of State Government Receipts to Economic Fluctuations and the Allocation of Counter-Cyclical Revenue Sharing Grants," 12 pp., Dec 1979 (Reprinted from the Review of Economics and Statistics, Vol. LXI, No. 3, August 1979)
- PP 268
Thomson, James S., "Seaport Dependence and Inter-State Cooperation: The Case of Sub-Saharan Africa," 141 pp., Jan 1980, AD A081 193
- PP 269
Weiss, Kenneth G., "The Soviet Involvement in the Ogaden War," 42 pp., Jan 1980 (Presented at the Southern Conference on Slavic Studies in October, 1979), AD A082 219
- PP 270
Reznek, Richard, "Soviet Policy in the Horn of Africa: The Decision to Intervene," 52 pp., Jan 1980 (To be published in "The Soviet Union in the Third World: Success or Failure," ed. by Robert M. Donaldson, Westview Press, Boulder, Co., Summer 1980, AD A081 195
- PP 271
McConnell, James, "Soviet and American Strategic Doctrines: One More Time," 43 pp., Jan 1980, AD A081 192
- PP 272
Weiss, Kenneth G., "The Azores in Diplomacy and Strategy, 1940-1945," 46 pp., Mar 1980, AD A085 094
- PP 273
Nakada, Michael K., "Labor Supply of Wives with Husbands Employed Either Full Time or Part Time," 39 pp., Mar 1980, AD A082 220
- PP 274
Nunn, Walter R., "A Result in the Theory of Spiral Search," 9 pp., Mar 1980
- PP 275
Goldberg, Lawrence, "Recruiters Advertising and Navy Enlistments," 34 pp., Mar 1980, AD A082 221
- PP 276
Goldberg, Lawrence, "Delaying an Overhaul and Ship's Equipment," 40 pp., May 1980, AD A085 095
- PP 277
Mangel, Marc, "Small Fluctuations in Systems with Multiple Limit Cycles," 19 pp., Mar 1980 (Published in SIAM J. Appl. Math., Vol. 38, No. 1, Feb 1980) AD A086 229
- PP 278
Mizrahi, Maurice, "A Targeting Problem: Exact vs. Expected-Value Approaches," 23 pp., Apr 1980, AD A085 096
- PP 279
Walt, Stephen M., "Causal Inferences and the Use of Force: A Critique of Force Without War," 50 pp., May 1980, AD A085 097
- PP 280
Goldberg, Lawrence, "Estimation of the Effects of A Ship's Steaming on the Failure Rate of its Equipment: An Application of Econometric Analysis," 23 pp., Apr 1980, AD A085 098
- PP 281
Mizrahi, Maurice M., "Comment on 'Discretization Problems of Functional Integrals in Phase Space'," 2 pp., May 1980, published in "Physical Review D", Vol. 22 (1980), AD A094 994
- PP 283
Dismukes, Bradford, "Expected Demand for the U.S. Navy to Serve as An Instrument of U.S. Foreign Policy: Thinking About Political and Military Environmental Factors," 30 pp., Apr 1980, AD A085 099
- PP 284
Kellison, W. Nunn, and U. Sumita, "The Laguerre Transform," 119 pp., May 1980, AD A085 100
*The Graduate School of Management, University of Rochester and the Center for Naval Analyses
**The Graduate School of Management, University of Rochester
- PP 285
Reznek, Richard B., "Superpower Security Interests in the Indian Ocean Area," 26 pp., Jun 1980, AD A087 113
- PP 286
Mizrahi, Maurice M., "On the WKB Approximation to the Propagator for Arbitrary Hamiltonians," 25 pp., Aug 1980 (Published in Journal of Math. Phys., 22(1) Jan 1981), AD A091 307
- PP 287
Cope, Davis, "Limit Cycle Solutions of Reaction-Diffusion Equations," 35 pp., Jun 1980 AD A087 114
- PP 288
Golman, Walter, "Don't Let Your Slides Flip You: A Painless Guide to Visuals That Really Aid," 28 pp., Oct 1980, AD A092 732
- PP 289
Robinson, Jack, "Adequate Classification Guidance - A Solution and a Problem," 7 pp., Aug 1980, AD A091 212
- PP 290
Watson, Gregory M., "Evaluation of Computer Software in an Operational Environment," 17 pp., Aug 1980, AD A091 213
- PP 291
Maddala, G. S. and Trost, R. P., "Some Extensions of the Nerlove Press Model," 17 pp., Oct 1980, AD A091 946
*University of Florida

- PP 292
Thoms, James A., Jr., "The Transport Properties of Binary Gas Mixtures in Applied Magnetic Fields," 10 pp., Sept 1980 (Published in Journal of Chemical Physics 72(10), 15 May 1980)
- PP 293
Thoms, James A., Jr., "Evaluation of Kinetic Theory Collision Integrals Using the Generalized Phase Shift Approach," 12 pp., Sept 1980 (Printed in Journal of Chemical Physics 72(10), 15 May 1980)
- PP 294
Roberts, Stephen S., "French Naval Policy Outside of Europe," 30 pp., Sept 1980 (Presented at the Conference of the Section on Military Studies, International Studies Association Kiawah Island, S.C.), AD A091 306
- PP 295
Roberts, Stephen S., "An Indicator of Informal Empire: Patterns of U.S. Navy Cruising on Overseas Stations, 1869-1897," 40 pp., Sept 1980 (Presented at Fourth Naval History Symposium, US Naval Academy, 26 October 1979, AD A091 316)
- PP 296
Dismukes, Bradford and Petersen, Charles C., "Maritime Factors Affecting Iberian Security," (Factores Maritimos Que Afectan La Seguridad Ibeica) 14 pp., Oct 1980, AD A092 733
- PP 297 - Classified
- PP 298
Mizrahi, Maurice M., "A Markov Approach to Large Missile Attacks," 31 pp., Jan 1981, AD A096,159
- PP 299
Jondrow, James M. and Levy, Robert A., "Wage Leadership in Construction, 19 pp., Jan 1981, AD A094 797
- PP 300
Jondrow, James and Schmidt, Peter, "On the Estimation of Technical Inefficiency in the Stochastic Frontier Production Function Model," 11 pp., Jan 1981, AD A096 160
*Michigan State University
- PP 301
Jondrow, James M.; Levy, Robert A. and Hughes, Claire, "Technical Change and Employment in Steel, Autos, Aluminum, and Iron Ore, 17 pp., Mar 1981, AD A099 394
- PP 302
Jondrow, James M. and Levy, Robert A., "The Effect of Imports on Employment Under Rational Expectations," 19 pp., Apr 1981, AD A099 392
- PP 303
Thomson, James, "The Rarest Commodity in the Coming Resource Wars," 3 pp., Aug 1981 (Published in the Washington Star, April 13, 1981)
- PP 304
Duffy, Michael K.; Greenwood, Michael J.* and McDowell, John M.,** "A Cross-Sectional Model of Annual Interregional Migration and Employment Growth: Intertemporal Evidence of Structural Change, 1958-1975," 31 pp., Apr 1981, AD A099 393
*University of Colorado
**Arizona State University
- PP 305
Nunn, Laura H., "An Introduction to the Literature of Search Theory," 32 pp., Jun 1981
- PP 306
Anger, Thomas E., "What Good Are Warfare Models?" 7 pp., May 1981
- PP 307
Thomson, James, "Dependence, Risk, and Vulnerability," 43 pp., Jun 1981
- PP 308
Mizrahi, M.M., "Correspondence Rules and Path Integrals," Jul 1981. Published in "Nuovo Cimento B", Vol. 61 (1981)
- PP 309
Weinland, Robert G., "An (The?) Explanation of the Soviet Invasion of Afghanistan," 44 pp., May 1981
- PP 310
Stanford, Janette M. and Tai Te Wu,* "A Predictive Method for Determining Possible Three-dimensional Foldings of Immunoglobulin Backbones Around Antibody Combining Sites," 19 pp., Jun 1981 (Published in J. theor. Biol. (1981) 88, 421-439
*Northwestern University, Evanston, IL
- PP 311
Bowes, Marianne, Brechling, Frank P. R., and Utgoff, Kathleen P. Clessen, "An Evaluation of UI Funds," 13 pp., May 1981 (Published in National Commission on Unemployment Compensation's Unemployment Compensation: Studies and Research, Volume 2, July 1980)
- PP 312
Jondrow, James; Bowes, Marianne and Levy, Robert, "The Optimum Speed Limit," 23 pp., May 1981
- PP 313
Roberts, Stephen S., "The U.S. Navy in the 1980s," 36 pp., Jul 1981
- PP 314
Jehn, Christopher; Horowitz, Stanley A. and Lockman, Robert F., "Examining the Draft Debate," 20 pp., Jul 1981
- PP 315
Buck, Ralph V., Capt., "Le Catastrophe by any other name..." 4 pp., Jul 1981
- PP 316
Roberts, Stephen S., "Western European and NATO Navies, 1980," 20 pp., Aug 1981
- PP 317
Roberts, Stephen S., "Superpower Naval Crisis Management in the Mediterranean," 35 pp., Aug 1981
- PP 318
Vega, Milan N., "Yugoslavia and the Soviet Policy of Force in the Mediterranean Since 1961," 187 pp., Aug 1981
- PP 319
Smith, Michael W., "Antiair Warfare Defense of Ships at Sea," 46 pp., Sep 1981 (This talk was delivered at the Naval Warfare System and Technology Conference of the American Institute of Aeronautics and Astronautics in Washington on December 12, 1980; in Boston on January 20, 1981; and in Los Angeles on June 12, 1981.)

- PP 320
Troost, R. P.; Lurie, Phillip and Berger, Edward, "A Note on Estimating Continuous Time Decision Models," 15 pp., Sep 1981
- PP 321
Duffy, Michael K. and Ladman, Jerry R., "The Simultaneous Determination of Income and Employment in United States--Mexico Border Region Economies," 34 pp., Sep 1981
*Associate Professor of Economics, Arizona State University, Tempe, AZ.
- PP 322
Warner, John T., "Issues in Navy Manpower Research and Policy: An Economist's Perspective," 66 pp., Dec 1981
- PP 323
Bosma, Frederick M., "Generation of Correlated Log-Normal Sequences for the Simulation of Clutter Echoes," 33 pp., Dec 1981
- PP 324
Horowitz, Stanley A., "Quantifying Seapower Readiness," 6 pp., Dec 1981 (Published in Defense Management Journal, Vol. 18, No. 2)
- PP 327
Hanson, Colin, Capt., USN and Graham, David R., Dr., "Estimation and Analysis of Navy Shipbuilding Program Disruption Costs," 12 pp., Mar 1980
- PP 328
Wainland, Robert G., "Northern Waters: Their Strategic Significance," 27 pp., Dec 1980
- PP 330
Lockman, Robert F., "Alternative Approaches to Attrition Management," 30 pp., Jan 1982
- PP 331
Roberts, Stephen S., "The Turkish Straits and the Soviet Navy in the Mediterranean," 15 pp., Mar 1982 (Published in Navy International)
- PP 332
Jahn, Christopher, "The RDF and Amphibious Warfare," 36 pp., Mar 1982
- PP 333
Lee, Lung-Fel and Troost, Robert P., "Estimation of Some Limited Dependent Variable Models with Application to Housing Demand," 26 pp., Jan 1982. (Published in Journal of Econometrics 8 (1978) 357-382)
- PP 334
Kenny, Lawrence W., Lee, Lung-Fel, Maddala, G. S., and Troost R. P., "Returns to College Education: An Investigation of Self-Selection Bias Based on the Project Talent Data," 15 pp., Jan 1982. (Published in International Economic Review, Vol. 20, No. 3, October 1979)
- PP 335
Lee, Lung-Fel, G.S. Maddala, and R. P. Troost, "Asymptotic Covariance Matrices of Two-Stage Probit and Two-Stage Tobit Methods for Simultaneous Equations Models with Selectivity," 13 pp., Jan 1982. (Published in Econometrica, Vol. 48, No. 2 (March, 1980))
- PP 336
O'Neill, Thomas, "Mobility Fuels for the Navy," 13 pp., Jan 1982. (Accepted for publication in Naval Institute Proceedings)
- PP 337
Warner, John T. and Goldberg, Matthew S., "The Influence of Non-Pecuniary Factors on Labor Supply," 23 pp., Dec 1981
- PP 339
Wilson, Desmond P., "The Persian Gulf and the National Interest," 11 pp., Feb 1982
- PP 340
Lurie, Phillip, Troost, R. P., and Berger, Edward, "A Method for Analyzing Multiple Spell Duration Data," 34 pp., Feb 1982
- PP 341
Troost, Robert P. and Vogel, Robert C., "Prediction with Pooled Cross-Section and Time-Series Data: Two Case Studies," 6 pp., Feb 1982
- PP 342
Lee, Lung-Fel, Maddala, G. S., and Troost, R. P., "Testing for Structural Change by D-Methods in Switching Simultaneous Equations Models," 5 pp., Feb 1982
- PP 343
Goldberg, Matthew S., "Projecting the Navy Enlisted Force Level," 9 pp., Feb 1982
- PP 344
Fletcher, Jean, W., "Navy Quality of Life and Reenlistment," 13 pp., Nov 1981
- PP 345
Urgoff, Kathy and Thaler, Dick, "The Economics of Multi Year Contracting," 47 pp., Mar 1982 (Presented at the 1982 Annual Meeting of the Public Choice Society, San Antonio, Texas, March 5-7, 1982)
- PP 346
Rostker, Bernard, "Selective Service and the All-Volunteer Force," 23 pp., Mar 1982
- PP 348
Jondrow, James, Troost, Robert, "An Empirical Study of Production Inefficiency in the Presence of Errors-in-The-Variables," 14 pp., Feb 1982
- PP 349
W. M. Brackenridge, O. Kim Maimin, "Collisional Intermultiplet Relaxation of Cd($5s^2 5p^0, 1, 2$) by Alkane Hydrocarbons," 7 pp., Jul 1981 (Published in Journal of Chemical Physics, 76(4), 15 Feb 1982)
- PP 350
Levin, Marc, "A Method for Increasing the Firepower of Virginia Class Cruisers," 10 pp., Apr 1982 (To be published in U.S. Naval Institute Proceedings)
- PP 351
Coutre, S. E.; Stanford, J. M.; Novis, J. G.; Stevens, P. W.; Wu, T. T., "Possible Three-Dimensional Backbone Folding Around Antibody Combining Site of Immunoglobulin MOPC 167," 18 pp., Apr 1982 (Published in Journal of Theoretical Biology)

PP 352

Barfoot, C. Bernard, "Aggregation of Conditional Absorbing Markov Chains," 7 pp., June 1982 (Presented to the Sixth European Meeting on Cybernetics and Systems Research, held at the University of Vienna, Apr 1982).

PP 353

Barfoot, C. Bernard, "Some Mathematical Methods for Modeling the Performance of a Distributed Data Base System," 18 pp., June 1982 (Presented to the International Working Conference on Model Realism, held at Bad Honnef, West Germany, Apr 1982).

**DATE
FILMED**

7-8