

ARMY RESEARCH LABORATORY



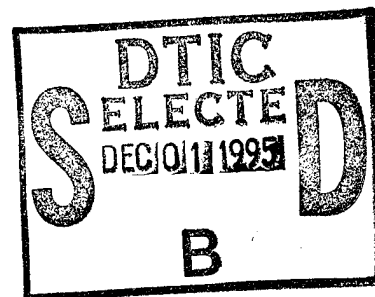
A 4-MJ Mobile Pulse Power Facility  
for Electrothermal-Chemical (ETC)  
Gun Applications

Gary Katulka  
Dave Singh  
U.S. ARMY RESEARCH LABORATORY

Robert Burdalski  
VITRONICS, INC.

ARL-TR-880

October 1995



19951130 079

APPROVED FOR PUBLIC RELEASE; DISTRIBUTION IS UNLIMITED.

DTIC QUALITY INSPECTED 5

## NOTICES

Destroy this report when it is no longer needed. DO NOT return it to the originator.

Additional copies of this report may be obtained from the National Technical Information Service, U.S. Department of Commerce, 5285 Port Royal Road, Springfield, VA 22161.

The findings of this report are not to be construed as an official Department of the Army position, unless so designated by other authorized documents.

The use of trade names or manufacturers' names in this report does not constitute indorsement of any commercial product.

# REPORT DOCUMENTATION PAGE

*Form Approved*  
*OMB No. 0704-0188*

Public reporting burden for this collection of information is estimated to average 1 hour per response, including the time for reviewing instructions, searching existing data sources, gathering and maintaining the data needed, and completing and reviewing the collection of information. Send comments regarding this burden estimate or any other aspect of this collection of information, including suggestions for reducing this burden, to Washington Headquarters Services, Directorate for Information Operations and Reports, 1215 Jefferson Davis Highway, Suite 1204, Arlington, VA 22202-4302, and to the Office of Management and Budget, Paperwork Reduction Project(0704-0188), Washington, DC 20503.

<b>1. AGENCY USE ONLY (Leave blank)</b>		<b>2. REPORT DATE</b> October 1995	<b>3. REPORT TYPE AND DATES COVERED</b> Final, March 1993 - June 1995	
<b>4. TITLE AND SUBTITLE</b> A 4-MJ Mobile Pulse Power Facility for Electrothermal-Chemical (ETC) Gun Applications			<b>5. FUNDING NUMBERS</b> PR: IL162618AH80	
<b>6. AUTHOR(S)</b> Gary Katulka, Dave Singh, and Robert Burdalski*				
<b>7. PERFORMING ORGANIZATION NAME(S) AND ADDRESS(ES)</b> U.S. Army Research Laboratory ATTN: AMSRL-WT-PA Aberdeen Proving Ground, MD 21005-5066			<b>8. PERFORMING ORGANIZATION REPORT NUMBER</b>  ARL-TR-880	
<b>9. SPONSORING/MONITORING AGENCY NAMES(S) AND ADDRESS(ES)</b>			<b>10. SPONSORING/MONITORING AGENCY REPORT NUMBER</b>	
<b>11. SUPPLEMENTARY NOTES</b> * Mr. Burdalski is from Vitronics, Inc., Eatontown, NJ 07724.				
<b>12a. DISTRIBUTION/AVAILABILITY STATEMENT</b>  Approved for public release; distribution is unlimited.			<b>12b. DISTRIBUTION CODE</b>	
<b>13. ABSTRACT (Maximum 200 words)</b>  In support of advanced electric gun research in progress within the U.S. Army, a mobile pulsed power system has been developed and made operational as part of the U.S. Army Research Laboratory (ARL) electric gun research facility. This mobile system has a maximum energy storage capability of 4 MJ, and it can deliver gigawatt levels of pulsed power over time periods of several milliseconds. The configuration of the system is that of a pulse-forming network (PFN) that is comprised of a bank of 80 high-energy capacitors, pulse-shaping inductors, switches and other electronic components which are designed to provide a variety of pulsed power profiles for electric propulsion research. The prime power for the PFN consists of a 1-MW diesel generator interconnected with a 27-kV constant voltage power supply. The system is controlled and monitored with electronic instrumentation from a remote control station which makes use of optical fiber signal transmission techniques. Recently acquired experimental pulsed power data from the facility are presented and discussed.				
<b>14. SUBJECT TERMS</b> pulsed power, electric guns, electrothermal-chemical			<b>15. NUMBER OF PAGES</b> 28	
			<b>16. PRICE CODE</b>	
<b>17. SECURITY CLASSIFICATION OF REPORT</b> UNCLASSIFIED	<b>18. SECURITY CLASSIFICATION OF THIS PAGE</b> UNCLASSIFIED	<b>19. SECURITY CLASSIFICATION OF ABSTRACT</b> UNCLASSIFIED	<b>20. LIMITATION OF ABSTRACT</b> UL	

INTENTIONALLY LEFT BLANK.

## ACKNOWLEDGMENTS

The authors are grateful to the reviews of this work, Dr. Kevin White of the U.S. Army Research Laboratory (ARL) and Mr. Henry Burden, Dynamic Science Inc., and for the technical assistance and consultation provided by Dr. Donald Eccleshall, Mr. William Oberle, Mr. Robert Pastore, Mr. Alex Zielinski, and Mr. Miguel DelGuercio, all of ARL.

<b>Accession For</b>	
NTIS GRA&I	<input checked="" type="checkbox"/>
DTIC TAB	<input type="checkbox"/>
Unannounced	<input type="checkbox"/>
Justification	
By _____	
Distribution/	
Availability Codes	
Dist	Avail and/or Special
A-1	

INTENTIONALLY LEFT BLANK.

## TABLE OF CONTENTS

	<u>Page</u>
ACKNOWLEDGMENTS .....	iii
LIST OF FIGURES .....	vii
1. BACKGROUND AND EXPERIMENTAL .....	1
1.1 Pulse-Forming Network Characteristics .....	1
1.2 Control System .....	5
2. SUMMARY .....	7
APPENDIX: SCHEMATIC DIAGRAMS .....	9
DISTRIBUTION LIST .....	19

INTENTIONALLY LEFT BLANK.

## LIST OF FIGURES

<u>Figure</u>		<u>Page</u>
1.	Circuit diagram of a 2-MJ pulse forming network in the ARL mobile pulser system used for electric gun research . . . . .	2
2.	Experimental (a) and simulated (b) output load current and C25-32 voltage from cap bank four of the 2-MJ PFN submodule. Both data plots are with a 120-m $\Omega$ load resistor and an initial capacitor voltage of 22 kV. Closing switch times are set at 0, 0.5, 0.75, 1.0, and 1.2 ms. Experimental current has a peak value of 112 kA at 1.25 ms . . . . .	3
3.	Experimental (a) and simulated (b) output load current and C25-32 voltage from the 2-MJ submodule during fault analysis. The load resistance for the PFN is a short circuit (4.2-m $\Omega$ load). Initial capacitor voltage is 21 kV and switch closing times are 0, 0.5, 0.75, 1.0, and 1.2 ms. Experimental current has a peak value of 393 kA at 1.3 ms . . . . .	3
4.	Demonstration of versatile output power waveforms through circuit simulations of a 2-MJ modulator into a 120-m $\Omega$ load having varied closing switch times. The closing times for the switches are indicated by the plot legend . . . . .	4
5.	Simulated output current and voltage from one capacitor bank (bank three with 60- $\mu$ H series inductance) of a 2-MJ modulator into a 120-m $\Omega$ load showing a pulse period of 1 ms . . . . .	4
6.	Control system for the 4-MJ mobile pulser system . . . . .	6

INTENTIONALLY LEFT BLANK.

## 1. BACKGROUND AND EXPERIMENTAL

1.1 Pulse Forming Network Characteristics. The Pulse Forming Network (PFN) design for this electric gun facility was selected mainly on pulsed output-power versatility. As a result, a type C network was selected which consists of multiple inductor-capacitor (LC) circuits or submodules each having its own output closing switch. This configuration is considered a "voltage-fed" network, which stores energy initially in the form of an electrostatic field on capacitor plates. The electrical energy is released in the form of output current flow to a load impedance.<sup>1</sup> The main power components used in the system include capacitors, inductors, rectifiers, and high-power switches, which are shown schematically in the diagram, Figure 1. Versatile pulse shaping is obtained by adjustments in the temporal delay of the output switches. This feature has been demonstrated both experimentally and through the use of electronic circuit simulations for this particular power system and it will be discussed further in the report.

Initial work on the PFN design was performed by Maxwell Laboratories Inc., San Diego, CA, with technical input and requirements provided by the U.S. Army, the details of which have been published elsewhere.<sup>2,3</sup> PFN design, systems validation, testing, and technical consultation were also performed by Vitronics Inc., Eatontown, NJ, through contract no. DAAL01-92-C-0265 during the period March 1993 through April 1995. The completed pulsed power supply consists of 10 PFN submodules and a total of 80, 50-kJ, type C, energy storage capacitors (Maxwell model 32511). Each capacitor has an energy density of 0.66 J/g, maximum charging voltage of 24 kV, and internal capacitance of 175  $\mu$ F.

Other power components include pulse shaping inductors, high-power rectifiers, and spark-gap closing switches. The system operates as 2 separate modulators each with 40 of the previously mentioned capacitors. Each modulator contains five banks of eight parallel connected capacitors, which together store a total of 2 MJ of electrical energy. The stored energy is delivered from all submodules to a common output load, e.g., an electric gun. Each of the 10 submodules is directly connected to a pulse-shaping inductor and output sparkgap closing switch. Power rectifiers at the end of each submodule line are used

---

<sup>1</sup> Glasoe, G. N., and J. V. Lebacqz. Pulse Generators. New York: McGraw-Hill, Inc. 1948.

<sup>2</sup> Pastore, R., T. Podlesak, and H. Singh. Progress in 2N Megajoule Electrothermal-Chemical Gun Pulser." Proceedings of the 9th IEEE International Pulsed Power Conference, pp. 783-786, 1993.

<sup>3</sup> Rinehart, H., et al. "A 6.6-MJ Modulator for Electrothermal-Chemical Guns." Proceedings of the 19th Power Modulator Symposium, pp. 499-502, 1990.

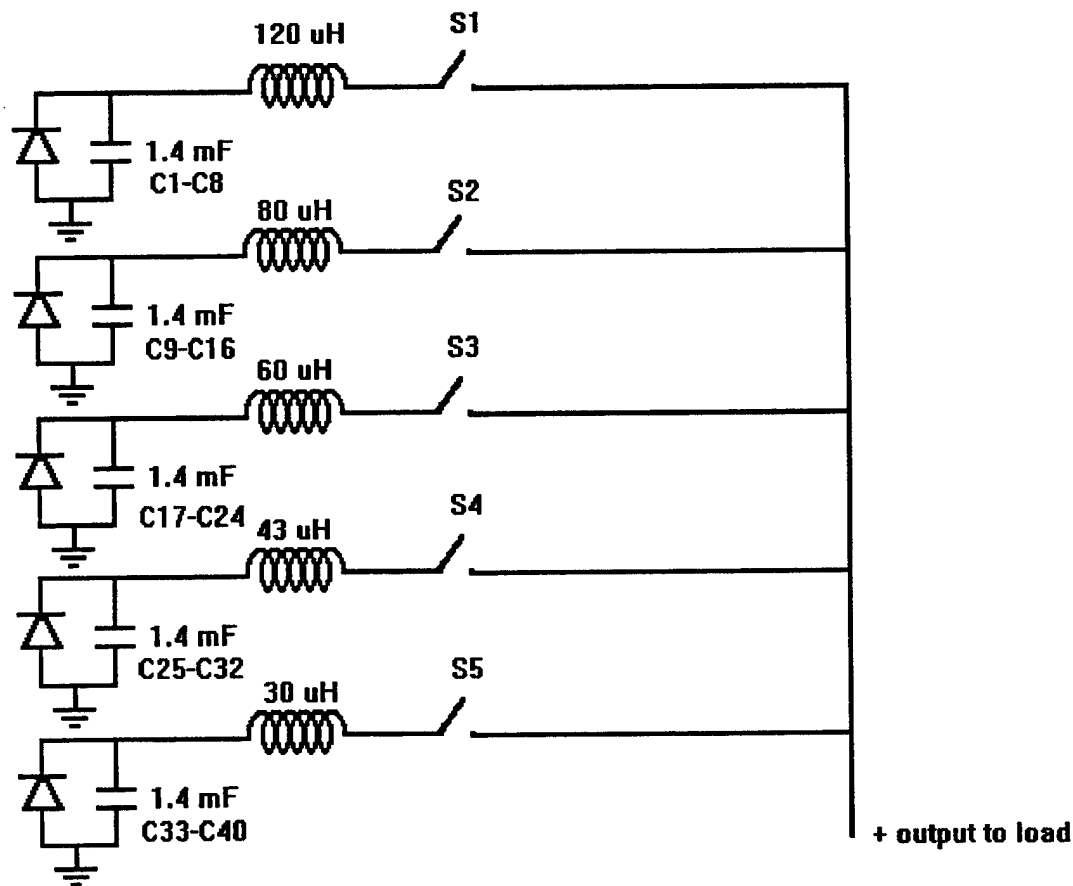
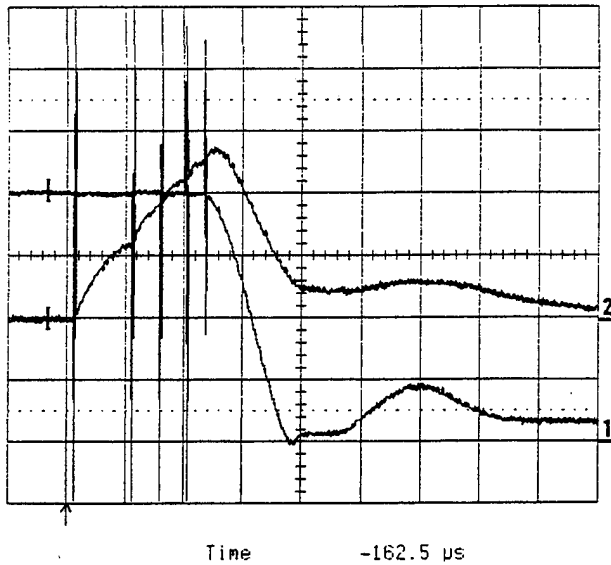


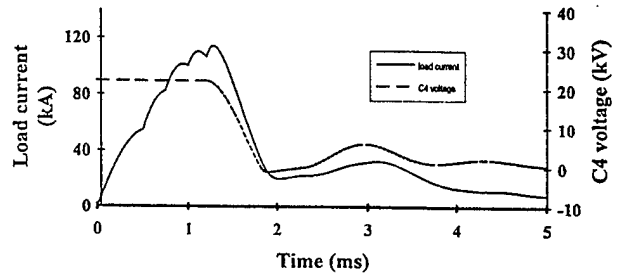
Figure 1. Circuit diagram of a 2-MJ pulse forming network in the ARL mobile pulser system used for electric gun research.

for capacitor voltage reversal protection, and they effectively extend the life expectancy of the PFN capacitors by shunting the capacitors during voltage reversal. The feature of 10 independently triggerable submodules with adjustable time delay provides the pulsed output versatility required for several electric gun research programs of interest to the U.S. Army. Experimental and simulated PFN output profiles for a 2-MJ PFN modulator are shown in the data plots of Figures 2-5.

The PFN pulse shaping inductors are manufactured by Trench Electric, and individual units range from 30  $\mu$ H to 120  $\mu$ H of inductance. Each inductor is electrically tested prior to insertion in the power supply up to an electric potential of 132 kV. This procedure ensures proper pulsed power operation once the inductor is installed and exercised in an experimental program. International Rectifiers, Marcum Onterio, Canada, produces the power rectifiers used in the PFN, which are model no. C03-1488.

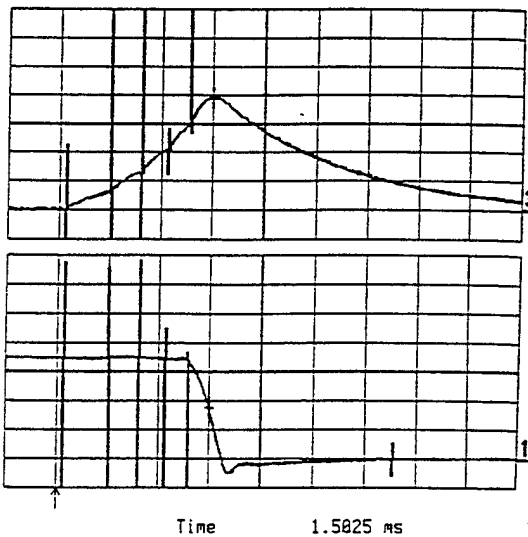


(a)

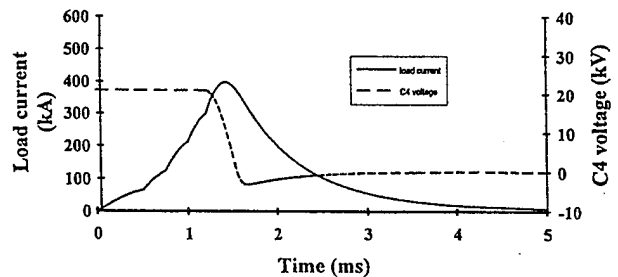


(b)

Figure 2. Experimental (a) and simulated (b) output load current and C25-32 voltage from cap bank four of the 2-MJ PFN submodule. Both data plots are with a 120-m load resistor and an initial capacitor voltage of 22 kV. Closing switch times are set at 0, 0.5, 0.75, 1.0, and 1.2 ms. Experimental current has a peak value of 112 kA at 1.25 ms.



(a)



(b)

Figure 3. Experimental (a) and simulated (b) output load current and C25-32 voltage from the 2-MJ submodule during fault analysis. The load resistance for the PFN is a short circuit (4.2-m load). Initial capacitor voltage is 21 kV and switch closing times are 0, 0.5, 0.75, 1.0, and 1.2 ms. Experimental current has a peak value of 393 kA at 1.3 ms.

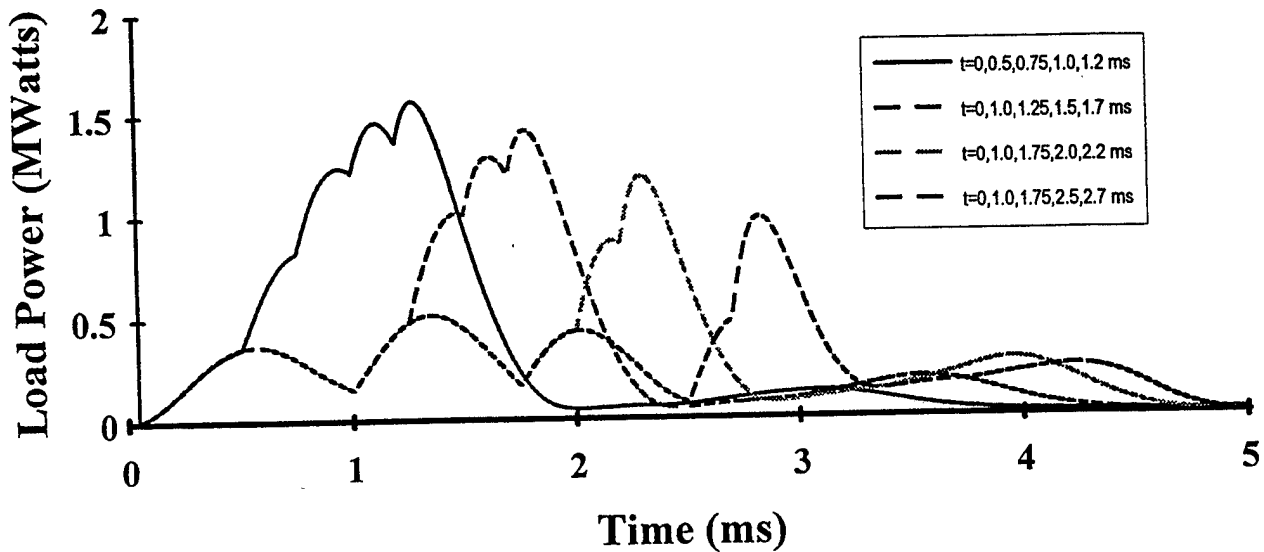


Figure 4. Demonstration of versatile output power waveforms through circuit simulations of a 2-MJ modulator into a 120-m $\Omega$  load having varied closing switch times. The closing times for the switches are indicated by the plot legend.

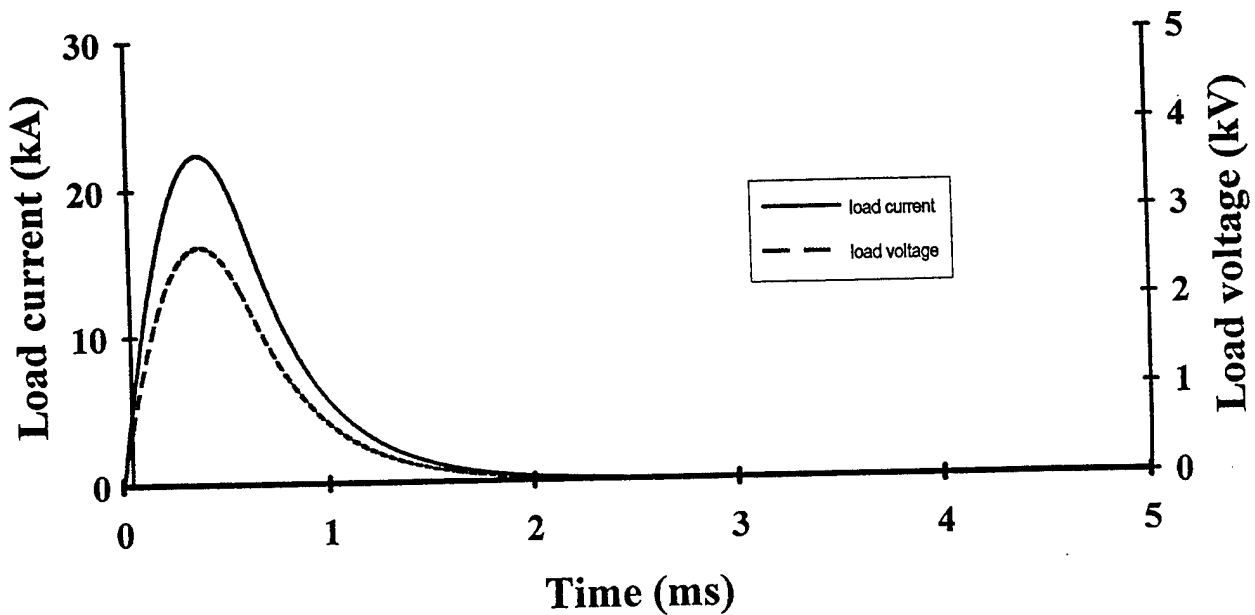


Figure 5. Simulated output current and voltage from one capacitor bank (bank three with 60- $\mu$ H series inductance) of a 2-MJ modulator into a 120-m $\Omega$  load showing a pulse period of 1 ms.

The main function of the rectifiers is capacitor voltage reversal protection. The rectifiers are high-power silicon pn diodes having a reverse breakdown voltage rating of 15 kV and maximum forward current rating of 60 kA (8-ms pulse duration). Closing switches are manufactured by Physics International, CA, and are rated for 280 kA of peak pulsed current. The trigger generator that drives the sparkgap and begins the main current flow from the PFN is the Physics International model TG-75.

1.2 Control System. The control system provides remote operator control and monitoring functions for the 4-MJ pulser and prime power generators. The system was designed and fabricated by Vitronics Inc., under contract no. DAAL01-92-C-0265 managed by the U.S. Army Research Laboratory (ARL). As with the PFN design, system requirements for the 4-MJ control system were produced jointly by the Weapons Technology Directorate and the Physical Sciences Directorate (formerly Electronics and Power Sources) of the ARL. The main components of the control system are the trigger generator power supply or signal generator, capacitor charging control system, sequence-fault system, remote control, and power supply hardware.

The control system consists of an Interface Technology model RS-670 40-MHz digital signal generator, digital voltmeter displays for capacitor voltages, high voltage power supply control circuits, spark-gap switch trigger generators, safety relay control functions, and emergency circuits for experimental abort situations. The RS-670 signal generator provides trigger signals which are converted to optical signals and transmitted to the PFN sparkgap switches. The word generator has a maximum of 64 output channels and is capable of operating at data rates of up to 40 MHz with time variant digital output. The generator features a menu driven format in which operator interface is provided through a cathode-ray tube (CRT). Remote programming of the generator is possible through an optional IEEE-488 and RS-232 ports.

The capacitor charge system makes use of voltage-to-frequency converters and fiber optic signal transmission for voltage monitoring of the PFN capacitors. Hewlett Packard model HFBR-1402 optical transmitters and ADVF32KN voltage to frequency converters are the main components used in capacitor voltage to frequency converter circuits.

The system controller, see Figure 6, with hardware as mentioned is arranged in a standard 19-in equipment rack that is interconnected to the PFN through multimode fiberoptic cables. Color video

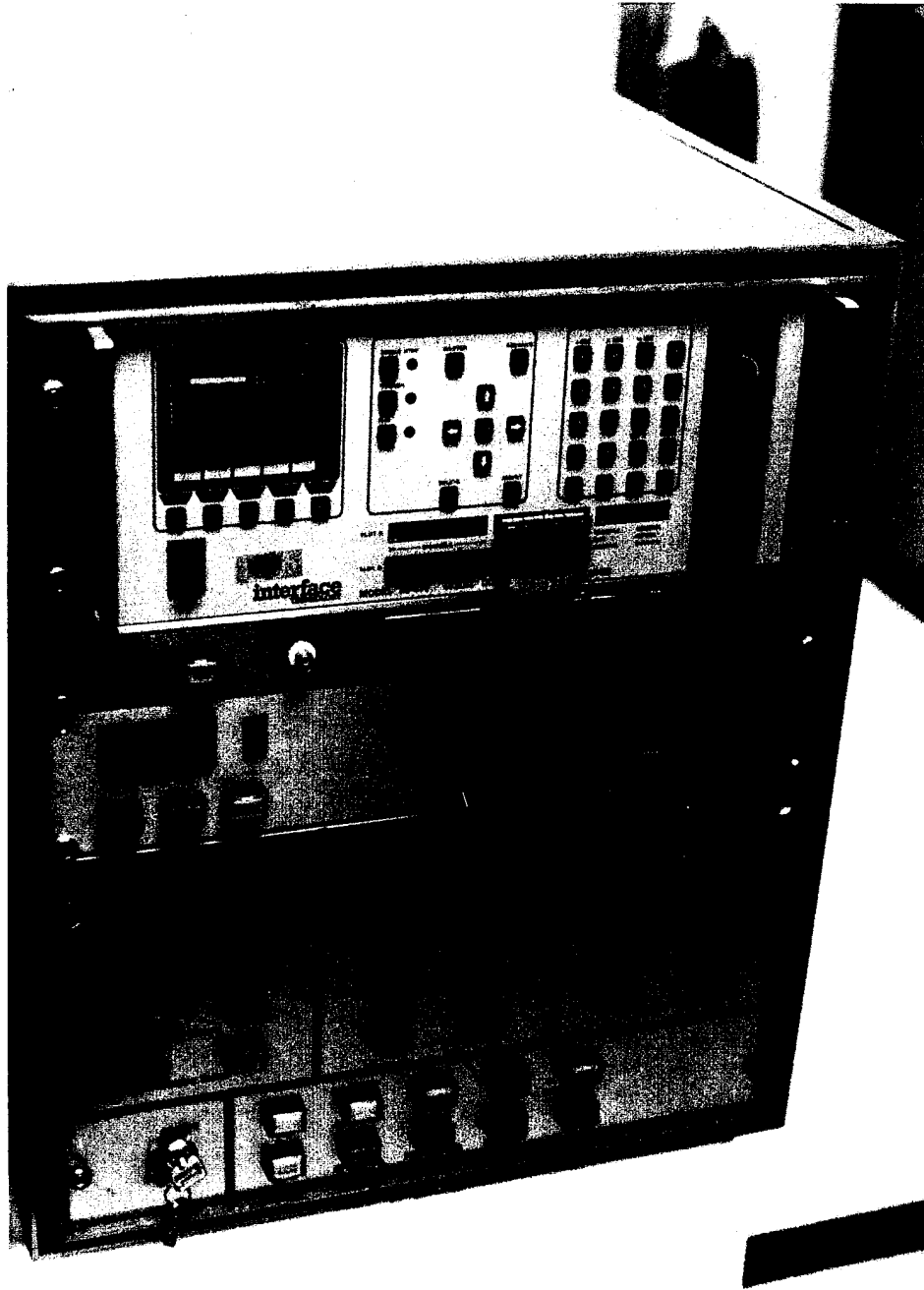


Figure 6. Control system for the 4-MJ mobile pulser system.

cameras and monitors are an integral part of the control system and were included to aid in confirming system safety status. The video cameras also are used for diagnostic purposes in the event of a component or system failure during an electrical discharge event. Schematic diagrams of the system are provided in the Appendix. They include the system diagram, the voltage to frequency converters, modulators, local meter panel, relay board, the disconnect assembly, and the resistive test load.

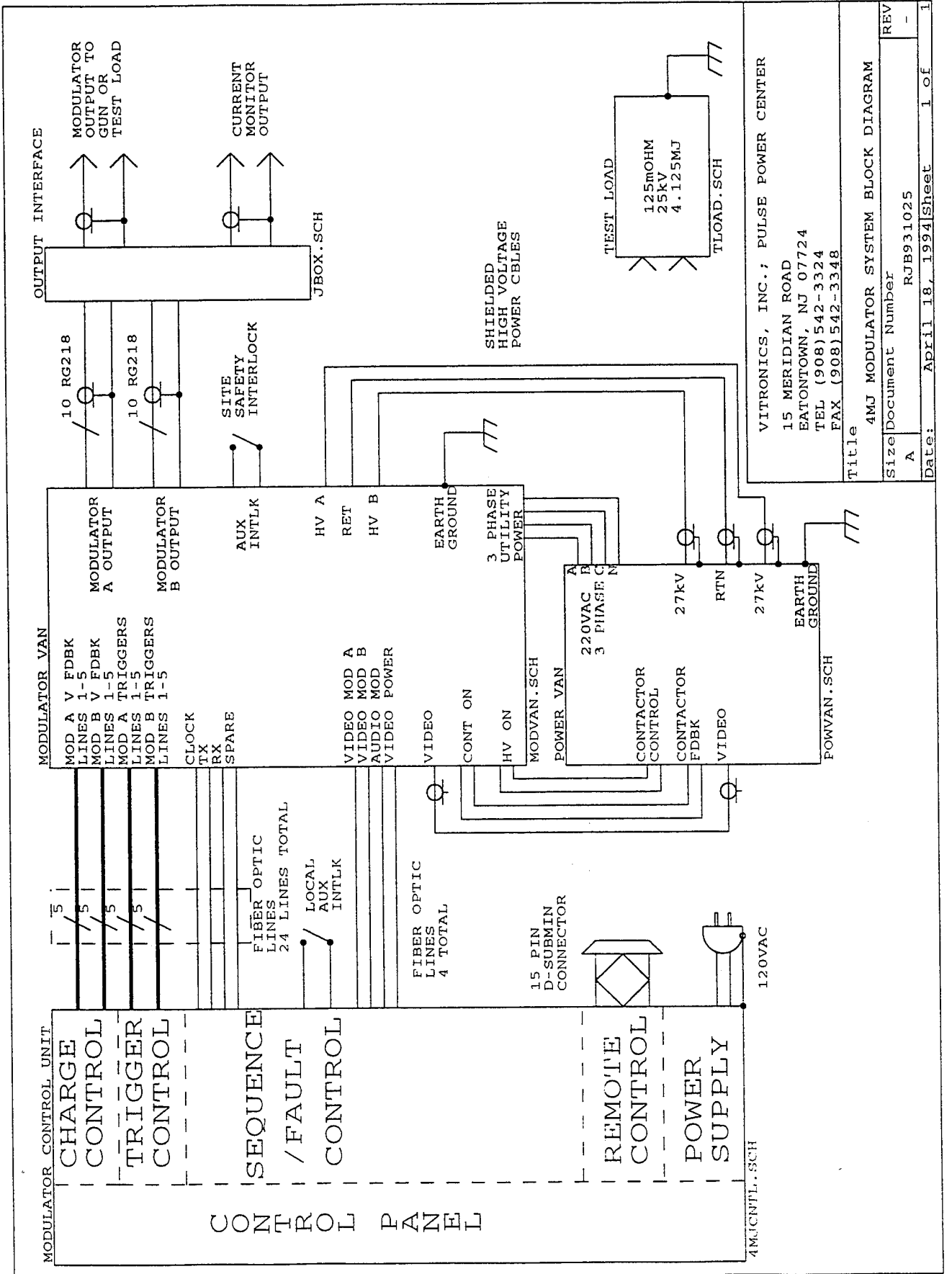
## 2. SUMMARY

A 4-MJ mobile pulsed power system has been designed, fabricated, and tested under the technical and managerial supervision of ARL for the purpose of electric gun propulsion research. Demonstration tests documented in this report have shown the system to be versatile in terms of output power pulse shaping, which is due to the multi-PFN and switch aspect of the power system. High energy capacitors, pulsed shaping inductors, and high voltage rectifiers are essential power components that have been incorporated into the PFN, which is controlled by a remote control system based on an Interface Technology digital signal generator and fiber optic interconnections.

INTENTIONALLY LEFT BLANK.

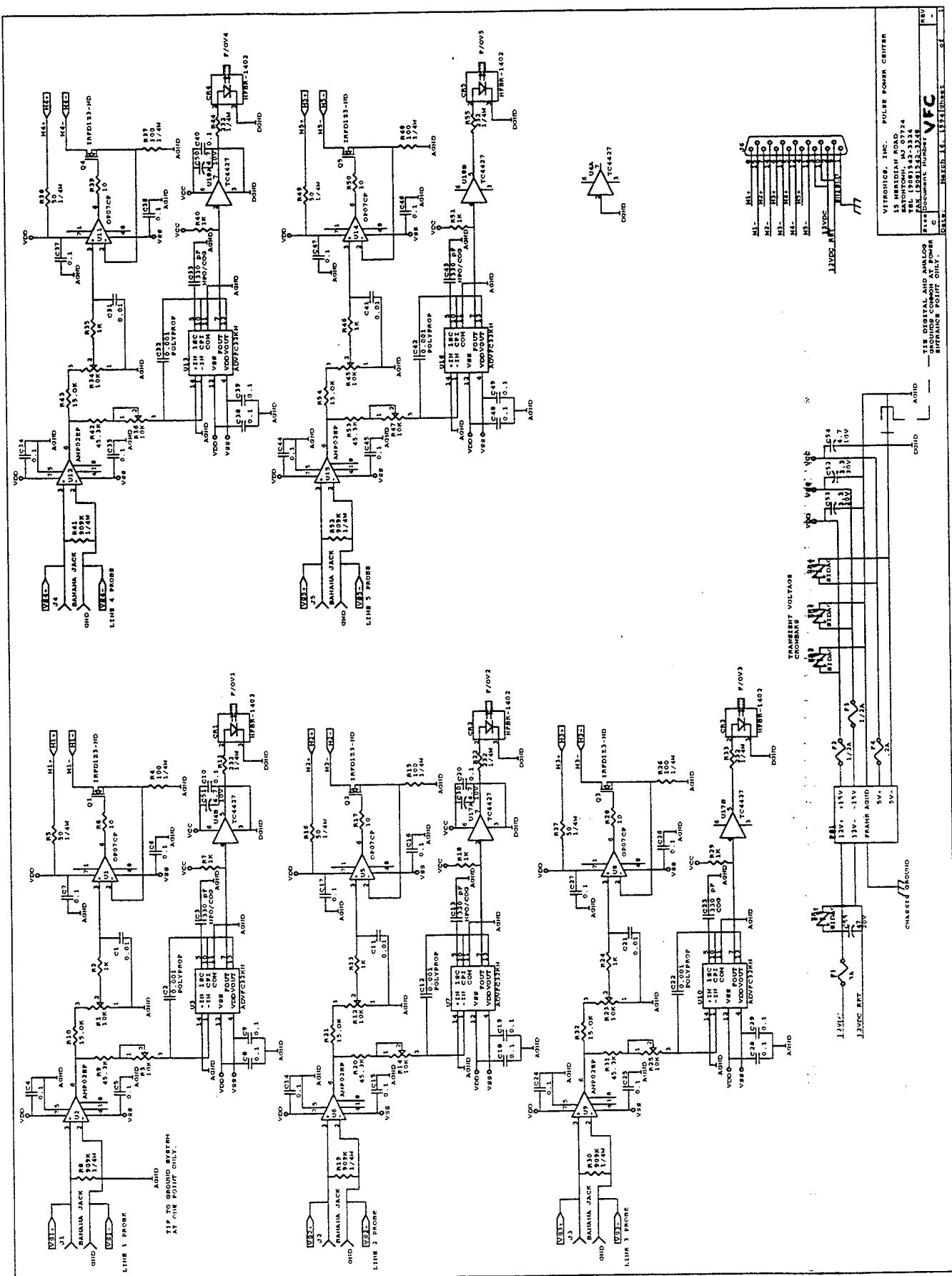
APPENDIX:  
SCHEMATIC DIAGRAMS

INTENTIONALLY LEFT BLANK.



VITRONICS, INC.; PULSE POWER CENTER  
 15 MERIDIAN ROAD  
 EATONTOWN, NJ 07724  
 TEL (908) 542-3324  
 FAX (908) 542-3348

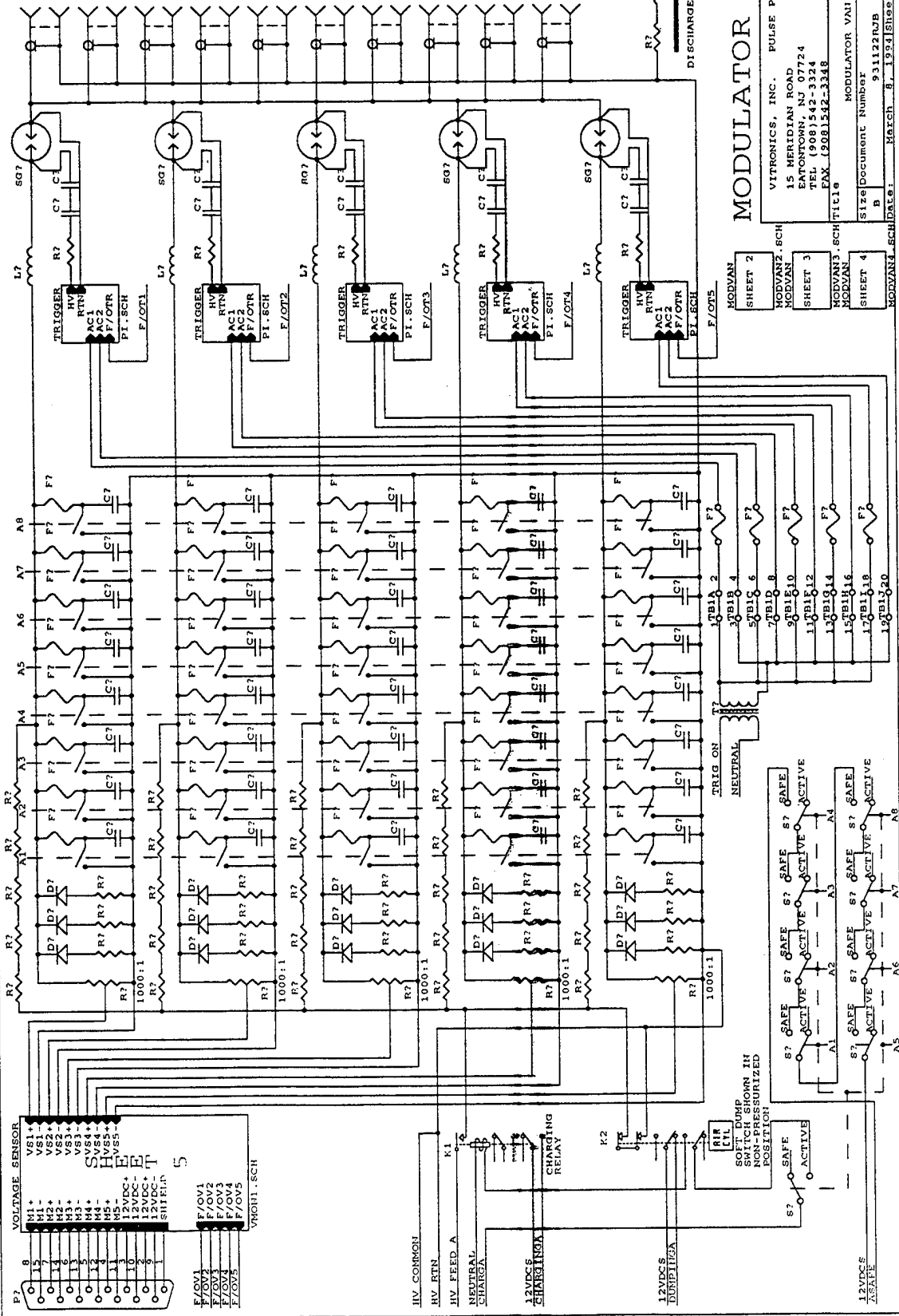
Title		4MJ MODULATOR SYSTEM BLOCK DIAGRAM
Size	Document Number	RJB931025
REV		-
Date:	April 18, 1994 Sheet 1 of 1	



REV	DATE	DESCRIPTION
1	12/18/74	INITIAL DESIGN
2	1/15/75	REVISIONS TO POWER SUPPLY
3	2/10/75	REVISIONS TO OUTPUT STAGE
4	3/10/75	REVISIONS TO BIASING NETWORK
5	4/10/75	REVISIONS TO COMPONENT VALUES
6	5/10/75	REVISIONS TO BOARD LAYOUT
7	6/10/75	REVISIONS TO TEST POINTS
8	7/10/75	REVISIONS TO POWER SUPPLY
9	8/10/75	REVISIONS TO OUTPUT STAGE
10	9/10/75	REVISIONS TO BIASING NETWORK
11	10/10/75	REVISIONS TO COMPONENT VALUES
12	11/10/75	REVISIONS TO BOARD LAYOUT
13	12/10/75	REVISIONS TO TEST POINTS
14	1/10/76	REVISIONS TO POWER SUPPLY
15	2/10/76	REVISIONS TO OUTPUT STAGE
16	3/10/76	REVISIONS TO BIASING NETWORK
17	4/10/76	REVISIONS TO COMPONENT VALUES
18	5/10/76	REVISIONS TO BOARD LAYOUT
19	6/10/76	REVISIONS TO TEST POINTS
20	7/10/76	REVISIONS TO POWER SUPPLY
21	8/10/76	REVISIONS TO OUTPUT STAGE
22	9/10/76	REVISIONS TO BIASING NETWORK
23	10/10/76	REVISIONS TO COMPONENT VALUES
24	11/10/76	REVISIONS TO BOARD LAYOUT
25	12/10/76	REVISIONS TO TEST POINTS
26	1/10/77	REVISIONS TO POWER SUPPLY
27	2/10/77	REVISIONS TO OUTPUT STAGE
28	3/10/77	REVISIONS TO BIASING NETWORK
29	4/10/77	REVISIONS TO COMPONENT VALUES
30	5/10/77	REVISIONS TO BOARD LAYOUT
31	6/10/77	REVISIONS TO TEST POINTS
32	7/10/77	REVISIONS TO POWER SUPPLY
33	8/10/77	REVISIONS TO OUTPUT STAGE
34	9/10/77	REVISIONS TO BIASING NETWORK
35	10/10/77	REVISIONS TO COMPONENT VALUES
36	11/10/77	REVISIONS TO BOARD LAYOUT
37	12/10/77	REVISIONS TO TEST POINTS
38	1/10/78	REVISIONS TO POWER SUPPLY
39	2/10/78	REVISIONS TO OUTPUT STAGE
40	3/10/78	REVISIONS TO BIASING NETWORK
41	4/10/78	REVISIONS TO COMPONENT VALUES
42	5/10/78	REVISIONS TO BOARD LAYOUT
43	6/10/78	REVISIONS TO TEST POINTS
44	7/10/78	REVISIONS TO POWER SUPPLY
45	8/10/78	REVISIONS TO OUTPUT STAGE
46	9/10/78	REVISIONS TO BIASING NETWORK
47	10/10/78	REVISIONS TO COMPONENT VALUES
48	11/10/78	REVISIONS TO BOARD LAYOUT
49	12/10/78	REVISIONS TO TEST POINTS
50	1/10/79	REVISIONS TO POWER SUPPLY
51	2/10/79	REVISIONS TO OUTPUT STAGE
52	3/10/79	REVISIONS TO BIASING NETWORK
53	4/10/79	REVISIONS TO COMPONENT VALUES
54	5/10/79	REVISIONS TO BOARD LAYOUT
55	6/10/79	REVISIONS TO TEST POINTS
56	7/10/79	REVISIONS TO POWER SUPPLY
57	8/10/79	REVISIONS TO OUTPUT STAGE
58	9/10/79	REVISIONS TO BIASING NETWORK
59	10/10/79	REVISIONS TO COMPONENT VALUES
60	11/10/79	REVISIONS TO BOARD LAYOUT
61	12/10/79	REVISIONS TO TEST POINTS
62	1/10/80	REVISIONS TO POWER SUPPLY
63	2/10/80	REVISIONS TO OUTPUT STAGE
64	3/10/80	REVISIONS TO BIASING NETWORK
65	4/10/80	REVISIONS TO COMPONENT VALUES
66	5/10/80	REVISIONS TO BOARD LAYOUT
67	6/10/80	REVISIONS TO TEST POINTS
68	7/10/80	REVISIONS TO POWER SUPPLY
69	8/10/80	REVISIONS TO OUTPUT STAGE
70	9/10/80	REVISIONS TO BIASING NETWORK
71	10/10/80	REVISIONS TO COMPONENT VALUES
72	11/10/80	REVISIONS TO BOARD LAYOUT
73	12/10/80	REVISIONS TO TEST POINTS
74	1/10/81	REVISIONS TO POWER SUPPLY
75	2/10/81	REVISIONS TO OUTPUT STAGE
76	3/10/81	REVISIONS TO BIASING NETWORK
77	4/10/81	REVISIONS TO COMPONENT VALUES
78	5/10/81	REVISIONS TO BOARD LAYOUT
79	6/10/81	REVISIONS TO TEST POINTS
80	7/10/81	REVISIONS TO POWER SUPPLY
81	8/10/81	REVISIONS TO OUTPUT STAGE
82	9/10/81	REVISIONS TO BIASING NETWORK
83	10/10/81	REVISIONS TO COMPONENT VALUES
84	11/10/81	REVISIONS TO BOARD LAYOUT
85	12/10/81	REVISIONS TO TEST POINTS
86	1/10/82	REVISIONS TO POWER SUPPLY
87	2/10/82	REVISIONS TO OUTPUT STAGE
88	3/10/82	REVISIONS TO BIASING NETWORK
89	4/10/82	REVISIONS TO COMPONENT VALUES
90	5/10/82	REVISIONS TO BOARD LAYOUT
91	6/10/82	REVISIONS TO TEST POINTS
92	7/10/82	REVISIONS TO POWER SUPPLY
93	8/10/82	REVISIONS TO OUTPUT STAGE
94	9/10/82	REVISIONS TO BIASING NETWORK
95	10/10/82	REVISIONS TO COMPONENT VALUES
96	11/10/82	REVISIONS TO BOARD LAYOUT
97	12/10/82	REVISIONS TO TEST POINTS
98	1/10/83	REVISIONS TO POWER SUPPLY
99	2/10/83	REVISIONS TO OUTPUT STAGE
100	3/10/83	REVISIONS TO BIASING NETWORK
101	4/10/83	REVISIONS TO COMPONENT VALUES
102	5/10/83	REVISIONS TO BOARD LAYOUT
103	6/10/83	REVISIONS TO TEST POINTS
104	7/10/83	REVISIONS TO POWER SUPPLY
105	8/10/83	REVISIONS TO OUTPUT STAGE
106	9/10/83	REVISIONS TO BIASING NETWORK
107	10/10/83	REVISIONS TO COMPONENT VALUES
108	11/10/83	REVISIONS TO BOARD LAYOUT
109	12/10/83	REVISIONS TO TEST POINTS
110	1/10/84	REVISIONS TO POWER SUPPLY
111	2/10/84	REVISIONS TO OUTPUT STAGE
112	3/10/84	REVISIONS TO BIASING NETWORK
113	4/10/84	REVISIONS TO COMPONENT VALUES
114	5/10/84	REVISIONS TO BOARD LAYOUT
115	6/10/84	REVISIONS TO TEST POINTS
116	7/10/84	REVISIONS TO POWER SUPPLY
117	8/10/84	REVISIONS TO OUTPUT STAGE
118	9/10/84	REVISIONS TO BIASING NETWORK
119	10/10/84	REVISIONS TO COMPONENT VALUES
120	11/10/84	REVISIONS TO BOARD LAYOUT
121	12/10/84	REVISIONS TO TEST POINTS
122	1/10/85	REVISIONS TO POWER SUPPLY
123	2/10/85	REVISIONS TO OUTPUT STAGE
124	3/10/85	REVISIONS TO BIASING NETWORK
125	4/10/85	REVISIONS TO COMPONENT VALUES
126	5/10/85	REVISIONS TO BOARD LAYOUT
127	6/10/85	REVISIONS TO TEST POINTS
128	7/10/85	REVISIONS TO POWER SUPPLY
129	8/10/85	REVISIONS TO OUTPUT STAGE
130	9/10/85	REVISIONS TO BIASING NETWORK
131	10/10/85	REVISIONS TO COMPONENT VALUES
132	11/10/85	REVISIONS TO BOARD LAYOUT
133	12/10/85	REVISIONS TO TEST POINTS
134	1/10/86	REVISIONS TO POWER SUPPLY
135	2/10/86	REVISIONS TO OUTPUT STAGE
136	3/10/86	REVISIONS TO BIASING NETWORK
137	4/10/86	REVISIONS TO COMPONENT VALUES
138	5/10/86	REVISIONS TO BOARD LAYOUT
139	6/10/86	REVISIONS TO TEST POINTS
140	7/10/86	REVISIONS TO POWER SUPPLY
141	8/10/86	REVISIONS TO OUTPUT STAGE
142	9/10/86	REVISIONS TO BIASING NETWORK
143	10/10/86	REVISIONS TO COMPONENT VALUES
144	11/10/86	REVISIONS TO BOARD LAYOUT
145	12/10/86	REVISIONS TO TEST POINTS
146	1/10/87	REVISIONS TO POWER SUPPLY
147	2/10/87	REVISIONS TO OUTPUT STAGE
148	3/10/87	REVISIONS TO BIASING NETWORK
149	4/10/87	REVISIONS TO COMPONENT VALUES
150	5/10/87	REVISIONS TO BOARD LAYOUT
151	6/10/87	REVISIONS TO TEST POINTS
152	7/10/87	REVISIONS TO POWER SUPPLY
153	8/10/87	REVISIONS TO OUTPUT STAGE
154	9/10/87	REVISIONS TO BIASING NETWORK
155	10/10/87	REVISIONS TO COMPONENT VALUES
156	11/10/87	REVISIONS TO BOARD LAYOUT
157	12/10/87	REVISIONS TO TEST POINTS
158	1/10/88	REVISIONS TO POWER SUPPLY
159	2/10/88	REVISIONS TO OUTPUT STAGE
160	3/10/88	REVISIONS TO BIASING NETWORK
161	4/10/88	REVISIONS TO COMPONENT VALUES
162	5/10/88	REVISIONS TO BOARD LAYOUT
163	6/10/88	REVISIONS TO TEST POINTS
164	7/10/88	REVISIONS TO POWER SUPPLY
165	8/10/88	REVISIONS TO OUTPUT STAGE
166	9/10/88	REVISIONS TO BIASING NETWORK
167	10/10/88	REVISIONS TO COMPONENT VALUES
168	11/10/88	REVISIONS TO BOARD LAYOUT
169	12/10/88	REVISIONS TO TEST POINTS
170	1/10/89	REVISIONS TO POWER SUPPLY
171	2/10/89	REVISIONS TO OUTPUT STAGE
172	3/10/89	REVISIONS TO BIASING NETWORK
173	4/10/89	REVISIONS TO COMPONENT VALUES
174	5/10/89	REVISIONS TO BOARD LAYOUT
175	6/10/89	REVISIONS TO TEST POINTS
176	7/10/89	REVISIONS TO POWER SUPPLY
177	8/10/89	REVISIONS TO OUTPUT STAGE
178	9/10/89	REVISIONS TO BIASING NETWORK
179	10/10/89	REVISIONS TO COMPONENT VALUES
180	11/10/89	REVISIONS TO BOARD LAYOUT
181	12/10/89	REVISIONS TO TEST POINTS
182	1/10/90	REVISIONS TO POWER SUPPLY
183	2/10/90	REVISIONS TO OUTPUT STAGE
184	3/10/90	REVISIONS TO BIASING NETWORK
185	4/10/90	REVISIONS TO COMPONENT VALUES
186	5/10/90	REVISIONS TO BOARD LAYOUT
187	6/10/90	REVISIONS TO TEST POINTS
188	7/10/90	REVISIONS TO POWER SUPPLY
189	8/10/90	REVISIONS TO OUTPUT STAGE
190	9/10/90	REVISIONS TO BIASING NETWORK
191	10/10/90	REVISIONS TO COMPONENT VALUES
192	11/10/90	REVISIONS TO BOARD LAYOUT
193	12/10/90	REVISIONS TO TEST POINTS
194	1/10/91	REVISIONS TO POWER SUPPLY
195	2/10/91	REVISIONS TO OUTPUT STAGE
196	3/10/91	REVISIONS TO BIASING NETWORK
197	4/10/91	REVISIONS TO COMPONENT VALUES
198	5/10/91	REVISIONS TO BOARD LAYOUT
199	6/10/91	REVISIONS TO TEST POINTS
200	7/10/91	REVISIONS TO POWER SUPPLY
201	8/10/91	REVISIONS TO OUTPUT STAGE
202	9/10/91	REVISIONS TO BIASING NETWORK
203	10/10/91	REVISIONS TO COMPONENT VALUES
204	11/10/91	REVISIONS TO BOARD LAYOUT
205	12/10/91	REVISIONS TO TEST POINTS
206	1/10/92	REVISIONS TO POWER SUPPLY
207	2/10/92	REVISIONS TO OUTPUT STAGE
208	3/10/92	REVISIONS TO BIASING NETWORK
209	4/10/92	REVISIONS TO COMPONENT VALUES
210	5/10/92	REVISIONS TO BOARD LAYOUT
211	6/10/92	REVISIONS TO TEST POINTS
212	7/10/92	REVISIONS TO POWER SUPPLY
213	8/10/92	REVISIONS TO OUTPUT STAGE
214	9/10/92	REVISIONS TO BIASING NETWORK
215	10/10/92	REVISIONS TO COMPONENT VALUES
216	11/10/92	REVISIONS TO BOARD LAYOUT
217	12/10/92	REVISIONS TO TEST POINTS
218	1/10/93	REVISIONS TO POWER SUPPLY
219	2/10/93	REVISIONS TO OUTPUT STAGE
220	3/10/93	REVISIONS TO BIASING NETWORK
221	4/10/93	REVISIONS TO COMPONENT VALUES
222	5/10/93	REVISIONS TO BOARD LAYOUT
223	6/10/93	REVISIONS TO TEST POINTS
224	7/10/93	REVISIONS TO POWER SUPPLY
225	8/10/93	REVISIONS TO OUTPUT STAGE
226	9/10/93	REVISIONS TO BIASING NETWORK
227	10/10/93	REVISIONS TO COMPONENT VALUES
228	11/10/93	REVISIONS TO BOARD LAYOUT
229	12/10/93	REVISIONS TO TEST POINTS
230	1/10/94	REVISIONS TO POWER SUPPLY
231	2/10/94	REVISIONS TO OUTPUT STAGE
232	3/10/94	REVISIONS TO BIASING NETWORK
233	4/10/94	REVISIONS TO COMPONENT VALUES
234	5/10/94	REVISIONS TO BOARD LAYOUT
235	6/10/94	REVISIONS TO TEST POINTS
236	7/10/94	REVISIONS TO POWER SUPPLY
237	8/10/94	REVISIONS TO OUTPUT STAGE
238	9/10/94	REVISIONS TO BIASING NETWORK
239	10/10/94	REVISIONS TO COMPONENT VALUES
240	11/10/94	REVISIONS TO BOARD LAYOUT
241	12/10/94	REVISIONS TO TEST POINTS
242	1/10/95	REVISIONS TO POWER SUPPLY
243	2/10/95	REVISIONS TO OUTPUT STAGE
244	3/10/95	REVISIONS TO BIASING NETWORK
245	4/10/95	REVISIONS TO COMPONENT VALUES
246	5/10/95	REVISIONS TO BOARD LAYOUT
247	6/10/95	REVISIONS TO TEST POINTS
248	7/10/95	REVISIONS TO POWER SUPPLY
249	8/10/95	REVISIONS TO OUTPUT STAGE
250	9/10/95	REVISIONS TO BIASING NETWORK
251	10/10/95	REVISIONS TO COMPONENT VALUES
252	11/10/95	REVISIONS TO BOARD LAYOUT
253	12/10/95	REVISIONS TO TEST POINTS
254	1/10/96	REVISIONS TO POWER SUPPLY
255	2/10/96	REVISIONS TO OUTPUT STAGE
256	3/10/96	REVISIONS TO BIASING NETWORK
257	4/10/96	REVISIONS TO COMPONENT VALUES
258	5/10/96	REVISIONS TO BOARD LAYOUT
259	6/10/96	REVISIONS TO TEST POINTS
260	7/10/96	REVISIONS TO POWER SUPPLY
261	8/10/96	REVISIONS TO OUTPUT STAGE
262	9/10/96	REVISIONS TO BIASING NETWORK
263	10/10/96	REVISIONS TO COMPONENT VALUES
264	11/10/96	REVISIONS TO BOARD LAYOUT
265	12/10/96	REVISIONS TO TEST POINTS
266	1/10/97	REVISIONS TO POWER SUPPLY
267	2/10/97	REVISIONS TO OUTPUT STAGE
268	3/10/97	REVISIONS TO BIASING NETWORK
269	4/10/97	REVISIONS TO COMPONENT VALUES
270	5/10/97	REVISIONS TO BOARD LAYOUT
271	6/10/97	REVISIONS TO TEST POINTS
272	7/10/97	REVISIONS TO POWER SUPPLY
273	8/10/97	REVISIONS TO OUTPUT STAGE
274	9/10/97	REVISIONS TO BIASING NETWORK
275	10/10/97	REVISIONS TO COMPONENT VALUES
276	11/10/97	REVISIONS TO BOARD LAYOUT
277	12/10/97	REVISIONS TO TEST POINTS
278	1/10/98	REVISIONS TO POWER SUPPLY
279	2/10/98	REVISIONS TO OUTPUT STAGE
280	3/10/98	REVISIONS TO BIASING NETWORK
281	4/10/98	REVISIONS TO COMPONENT VALUES
282	5/10/98	REVISIONS TO BOARD LAYOUT
283	6/10/98	REVISIONS TO TEST POINTS
284	7/10/98	REVISIONS TO POWER SUPPLY
285	8/10/98	REVISIONS TO OUTPUT STAGE
286	9/10/98	REVISIONS TO BIASING NETWORK
287	10/10/98	REVISIONS TO COMPONENT VALUES
288		

A1

CABLES  
TEN  
TEN



VOLTAGE SENSOR

V1	V51
V2	V52
V3	V53
V4	V54
V5	V55

SHEET 5

F/OV1	F/OV1
F/OV2	F/OV2
F/OV3	F/OV3
F/OV4	F/OV4
F/OV5	F/OV5

V10011.SCH

MODULATOR A

VITRONICS, INC. PULSE POWER CENTER  
15 MERIDIAN ROAD  
PO BOX 132 07724  
TELE (908) 542-3324  
FAX (908) 542-3348

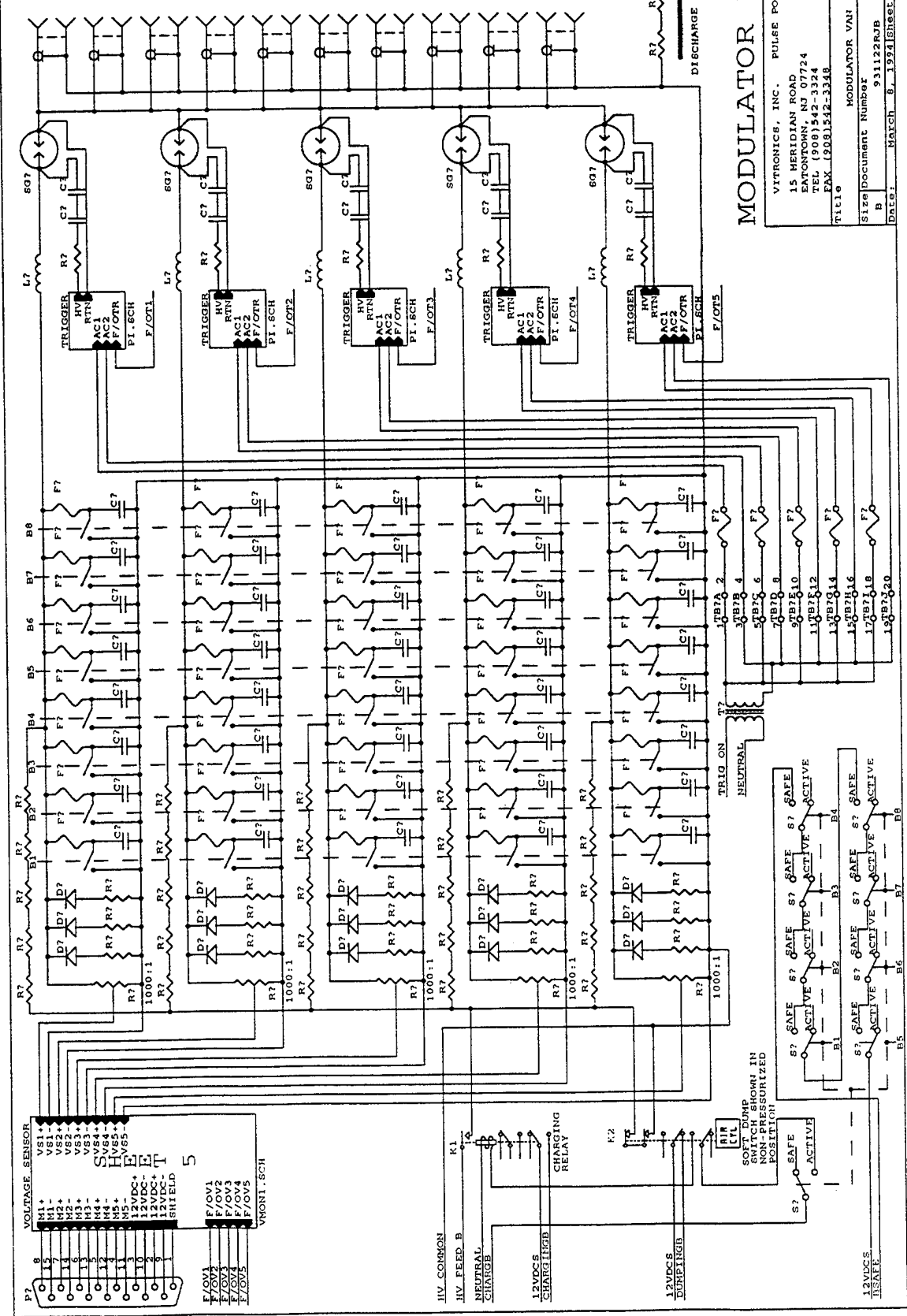
MODULATORS.SCH TITLE 8  
MODULATORS.SCH SHEET 4  
MODULATORS.SCH SHEET 3  
MODULATORS.SCH SHEET 2

SIZE DOCUMENT NUMBER 931122RJB  
REV -

DATE: March 8, 1993 Sheet 1 of 4

A2

CABLES  
RG-218  
75Ω



MODULATOR B

VITRONICS, INC. PULSE POWER CENTER  
15 MERIDIAN ROAD  
EATONTOWN, NJ 07724  
TEL (908)542-3324  
FAX (908)542-3348

Size Document Number 931122RJB  
Date: Match 8, 1994 Sheet 2 of 3

VOLTAGE SENSOR

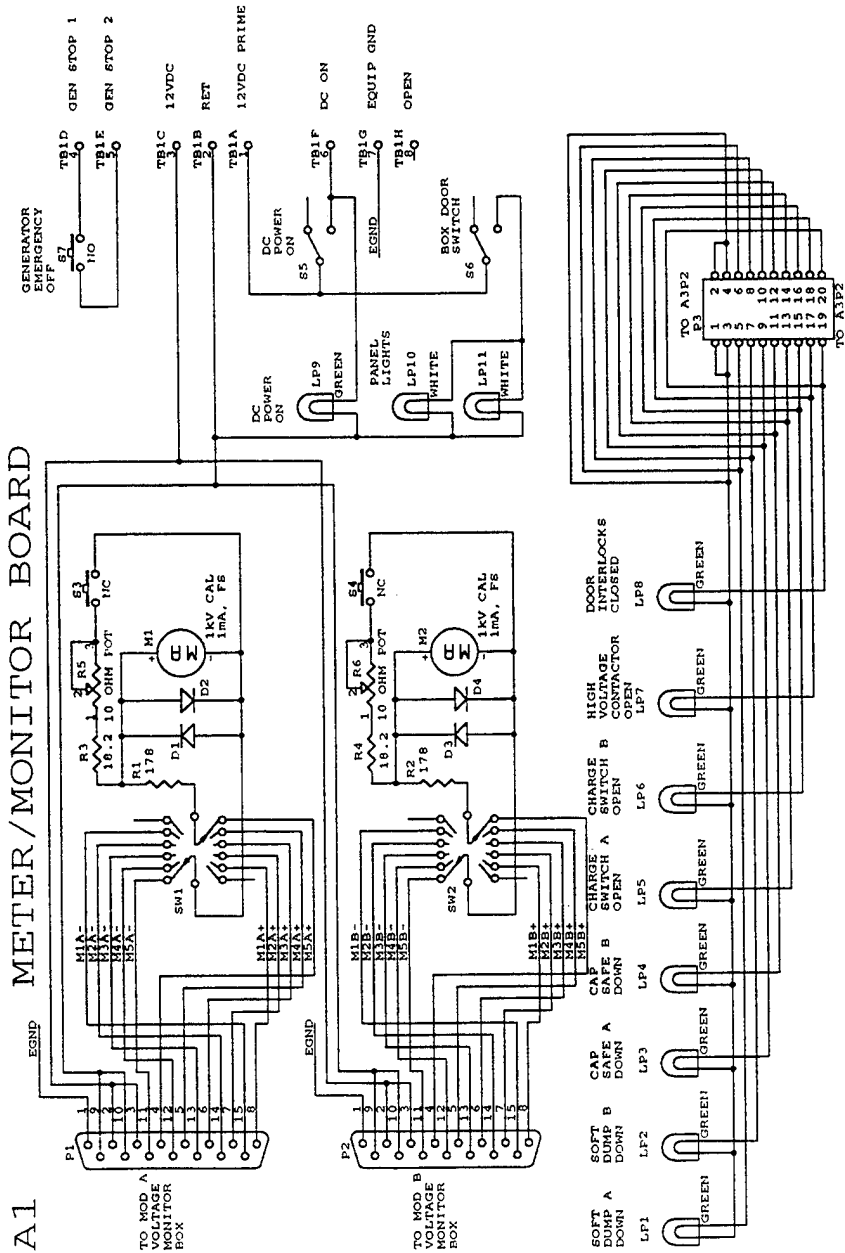
VS1+	M1
VS1-	M1
VS2+	M2
VS2-	M2
VS3+	M3
VS3-	M3
VS4+	M4
VS4-	M4
VS5+	M5
VS5-	M5
12VDC+	
12VDC-	
12VDC-	
SHIELD	

Sheet 5

F/OV1	F/OV1
F/OV2	F/OV2
F/OV3	F/OV3
F/OV4	F/OV4
F/OV5	F/OV5
VNOV1_SCH	

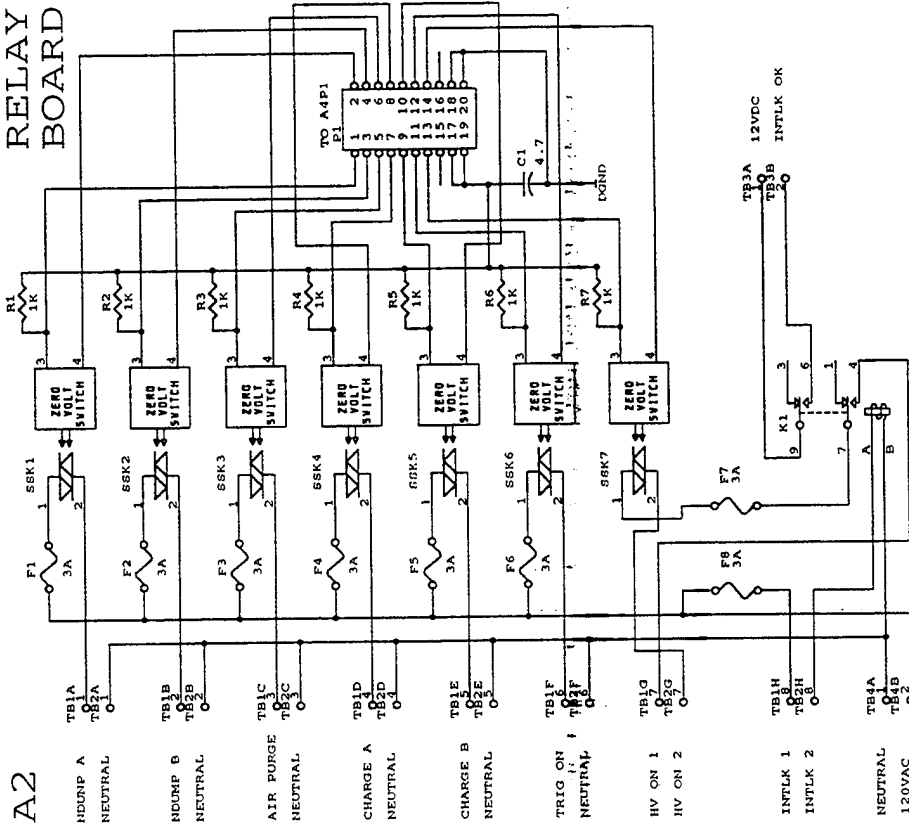
# METER/MONITOR BOARD

A1



VITRONICS, INC. PULSE POWER CENTER	
15 MERIDIAN ROAD	
EATONTOWN, NJ 07724	
TEL (908)542-3324	
FAX (908)542-3348	
Title	LOCAL METER PANEL
Size	Document Number 940324RJB
B	REV -
Date	April 13, 1994 Sheet 1 of 1

# RELAY BOARD

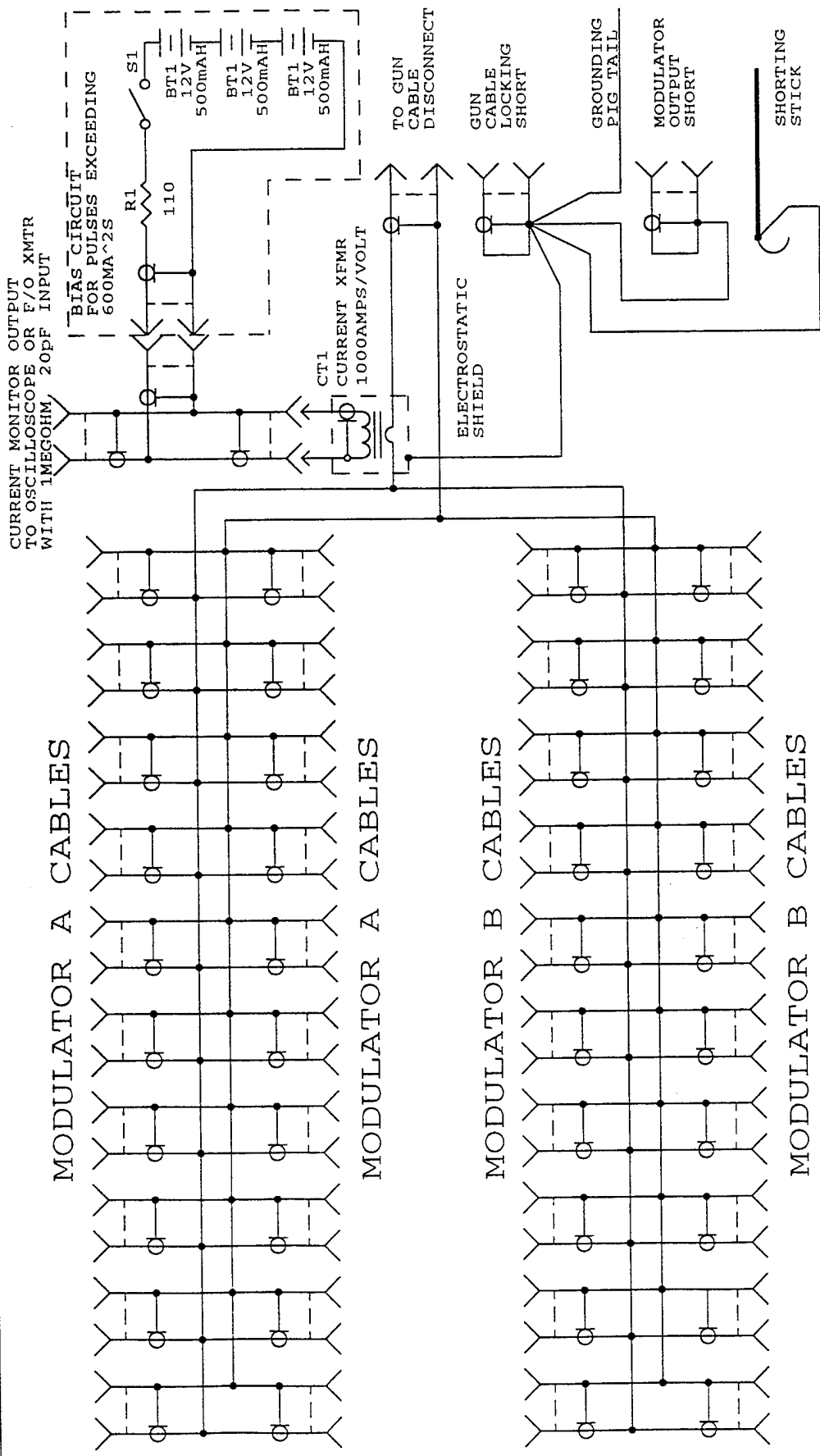


A2

- TB1A  
HOOP A  
NEUTRAL
- TB1B  
HOOP B  
NEUTRAL
- TB1C  
AIR PURGE  
NEUTRAL
- TB1D  
CHARGE A  
NEUTRAL
- TB1E  
CHARGE B  
NEUTRAL
- TB1F  
TRIG ON  
NEUTRAL
- TB1G  
HV ON 1  
HV ON 2
- TB1H  
INTLK 1  
INTLK 2
- TB4A  
NEUTRAL  
120VAC

VITRONICS, INC. PULSE POWER CENTER  
 15 HERIDIAN ROAD  
 TOWSON, NJ 07724  
 TEL (908) 542-3324  
 FAX (908) 542-3348

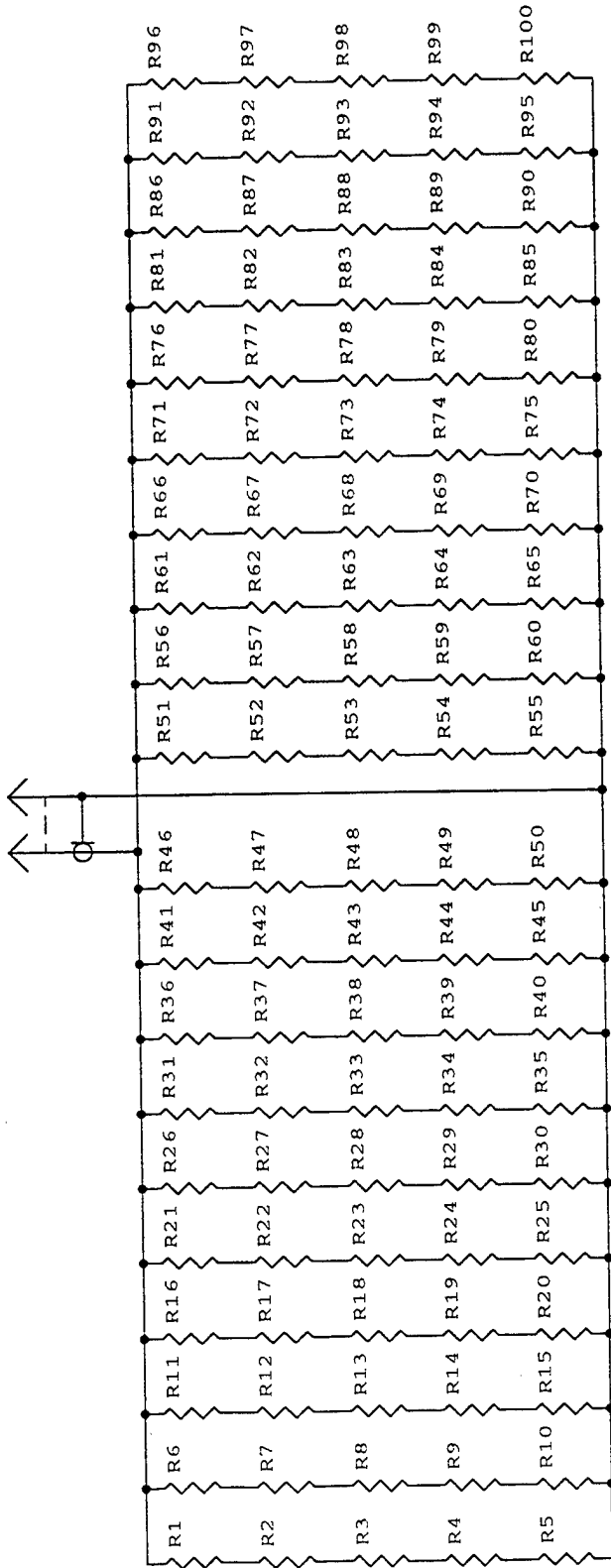
Title RELAY BOARD  
 Size Document Number 940322RJB  
 Date: March 24, 1994 Sheet 1 of 1



VITRONICS, INC. PULSE POWER CENTER  
 15 MERIDIAN ROAD  
 EATONTOWN, NJ 07724  
 TEL (908) 542-3324  
 FAX (908) 542-3348

Title	
MODULATOR OUTPUT DISCONNECT ASSEMBLY	
Size	REV
A	-
Document Number	
RJB931024	
Date:	1 of 1
April 14, 1994 Sheet	

NOTE: MODULATOR A AND B CABLES ARE RG218 TYPE.  
 40 CABLES TOTAL CAPABILITY, 20 INSTALLED.



TOTAL LOAD CAPABILITY: 62.5 MOHM  
 25 kV  
 8.25 MJ

LOAD WITH R1-R50 INSTALLED: 125 MOHM  
 25 kV  
 4.125kJ

- NOTE: 1) R1 THROUGH R100 ARE 0.25 OHM, 82.5kJ WASHER TYPE RESISTORS.  
 2) COPPER SHEET WASHERS, .010" THICK GO BETWEEN EACH RESISTOR.

VITRONICS, INC. PULSE POWER CENTER  
 15 MERIDIAN ROAD  
 EATONTOWN, NJ 07724  
 TEL (908)542-3324  
 FAX (908)542-3348

Title

TEST LOAD

Size Document Number

A RJB931104

REV

-

Date: April 14, 1994 Sheet 1 of 1

NO. OF  
COPIES      ORGANIZATION

2      ADMINISTRATOR  
DEFENSE TECHNICAL INFO CTR  
ATTN DTIC DDA  
CAMERON STATION  
ALEXANDRIA VA 22304-6145

1      DIRECTOR  
US ARMY RESEARCH LAB  
ATTN AMSRL OP SD TA  
2800 POWDER MILL RD  
ADELPHI MD 20783-1145

3      DIRECTOR  
US ARMY RESEARCH LAB  
ATTN AMSRL OP SD TL  
2800 POWDER MILL RD  
ADELPHI MD 20783-1145

1      DIRECTOR  
US ARMY RESEARCH LAB  
ATTN AMSRL OP SD TP  
2800 POWDER MILL RD  
ADELPHI MD 20783-1145

ABERDEEN PROVING GROUND

5      DIR USARL  
ATTN AMSRL OP AP L (305)

<u>NO. OF COPIES</u>	<u>ORGANIZATION</u>	<u>NO. OF COPIES</u>	<u>ORGANIZATION</u>
1	COMMANDER USA ARDEC ATTN SMCAR WAH T J DOMEN BLDG 62 NORTH PCTNY ARSNL NJ 07806-5000	1	COMMANDER USA AMCCOM ATTN AMSMC IRC G COWAN SMCAR ESM R W FORTUNE R ZASTROW ROCK ISLAND IL 61299-7300
1	COMMANDER USA ARDEC ATTN SMCAR AEE BR K KLINGAMAN BLDG 1501 PCTNY ARSNL NJ 07806-5000	2	COMMANDER USA AMCCOM ATTN SMCAR ESM R W FORTUNE R ZASTROW ROCK ISLAND IL 61299-7300
1	DIRECTOR USA BMD ADV TECH CTR PO BOX 1500 HUNTSVILLE AL 35807	1	COMMANDER USA CECOM ATTN ASQNC ELC ISL R R&D TECH LIB MYER CTR FT MONMOUTH NJ 07703-5301
1	CHAIRMAN DOD EXP SAFETY BD RM 856 C HOFFMAN BLDG 1 2461 EISENHOWER AVE ALEXANDRIA VA 22331-0600	1	COMMANDANT USA AS ATTN AVIATION AGENCY FT RUCKER AL 36360
1	DA OFC OF PM 155MM HWTZR M109A6 PALADIN ATTN SFAE AR HIP IP R DE KLEINE PCTNY ARSNL NJ 07806-5000	1	DIRECTOR HQ TRAC RPD ATTN ATCD MA MAJ WILLIAMS FT MONROE VA 23651-5143
1	COMMANDER USA ARDEC ATTN AMSMC PBM E L LAIBSON PCTNY ARSNL NJ 07806-5000	1	HQ USAMC ATTN AMCICP AD M F FISETTE 5001 EISENHOWER AVE ALEXANDRIA VA 22333-0001
3	PEO ARMAMENTS PM TMAS ATTN AMCPM TMA K RUSSELL AMCPM TMA 105 AMCPM TMA 120 PCTNY ARSNL NJ 07805-5000	2	COMMANDER USA ARDEC ATTN SMCAR CCD D SPRING SMCAR CCS PCTNY ARSNL NJ 07806-5000
2	DIRECTOR BENET LAB USA WATERVLIET ARNSL ATTN SARWV RD G CARAFANO R HASOENBEIN WATERVLIET NY 12189	2	COMMANDER USA ARDEC ATTN SMCAR CCH T L ROSENDORG SMCAR CCH V E FENNELL PCTNY ARSNL NJ 07806-5000
2	DIRECTOR BENET LAB USA WATERVLIET ARNSL ATTN SARWV RD P VOTIS M CIPOLLO WATERVLIET NY 12189	2	COMMANDER USA ARDEC ATTN SMCAR AEE B D DOWNS P CHIU PCTNY ARSNL NJ 07806-5000

<u>NO. OF COPIES</u>	<u>ORGANIZATION</u>	<u>NO. OF COPIES</u>	<u>ORGANIZATION</u>
2	COMMANDER USA ARDEC ATTN SMCAR AEE J LANNON SMCAR AED S KAPLOWITZ PCTNY ARSNL NJ 07806-5000	1	US ARMY RSCH LAB ATTN AMSRL EP MC D SINGH BLDG 2707 FT MONMOUTH NJ 07703-5000
2	COMMANDER USA ARDEC ATTN SMCAR FSA T M SALSURY T GORA PCTNY ARSNL NJ 07806-5000	2	COMMANDER USARO ATTN TECH LIB D MANN PO BOX 12211 RSCH TRI PK NC 27709-2211
2	COMMANDER USA ARDEC ATTN SMCAR B KNUTELSKY A GRAF PCTNY ARSNL NJ 07806-5000	1	COMMANDER USABRDEC ATTN STRBE WC TECH LIB VAULT BLDG 315 FT BELVOIR VA 22060-5606
1	COMMANDER USA ARDEC ATTN SMCAR K CHEUNG PCTNY ARSNL NJ 07806-5000	1	COMMANDER USA TRAC FT LEE DEFENSE LOGISTICS STUDIES FT LEE VA 23801-6140
2	COMMANDER USA ARDEC ATTN SMCAR EG G FERDINAND R ZIMANY PCTNY ARSNL NJ 07806-5000	1	PRESIDENT USA ARTILLERY BD FT SILL OK 73503
1	US ARMY RSCH LAB ATTN AMSRL WT N J INGRAM 2800 POWDER MILL RD ADELPHI MD 20783-1197	1	COMMANDANT USACGSC FT LVN WORTH KS 66027-5200
1	US ARMY RSCH LAB ATTNAMSRL WT NH J CORRIGAN 2800 POWDER MILL RD ADELPHI MD 20783-1145	1	COMMANDANT USASWS ATN REV & TNG LIT DIV FT BRAGG NC 28307
1	US ARMY RSCH LAB ATTN AMSRL WT NG T OLDHAM 2800 POWDER MILL RD ADELPHI MD 20783-1145	1	COMMANDER RADFORD ARMY AMMO PLANT ATTN SMCRA QA HI LIBRARY RADFORD VA 24141
		1	COMMANDANT USAFAS ATTN STSF TSM CN FT SILL OK 73505-5600
		1	DEP CDR SDC ATN SFAE SD HVL D LIANOS PO BOX 1500 HUNTSVILLE AL 35887-8801

<u>NO. OF COPIES</u>	<u>ORGANIZATION</u>
3	COMMANDER USA FSTC ATTN AMSCT MC 3 S LEBEAU C BEITER 220 SEVENTH ST NE CHARLOTTESVILLE VA 22901
1	COMMANDANT USA FACS ATTN ATSF CO MW B WILLIS FT SILL OK 73503
1	OFC NAVAL RSCH ATTN CODE 473 R S MILLER 800 N QUINCY ST ARLINGTON VA 22217
2	COMMANDER NSSC ATTN SEA 62R SEA 64 WASHINGTON DC 20362-5101
1	COMMANDER NASC ATTN AIR 954 TECH LIB WASHINGTON DC 20360
1	NAVAL RSCH LAB TECH LIB WASHINGTON DC 20375
2	COMMANDER HSWC ATTN J P CONSAGA C GOTZMER SLVR SPRNG MD 20902-5000
2	COMMANDER NSWC ATTN CODE R13 K KIM CODE R13 R BERNECKER SLVR SPRNG MD 20902-5000
3	CDR NSWC INDIAN HEAD DIV ATTN 6210 C SMITH 6210J K RICE 6210C S PETERS INDIAN HEAD MD 20640-5035

<u>NO. OF COPIES</u>	<u>ORGANIZATION</u>
3	CDR NSWC DAHLGREN DIV ATTN CODE G33 T DORAN J COPLEY CODE G30 G&M DIV DAHLGREN VA 2448-5000
3	CDR NSWC DAHLGREN DIV ATTN CODE G301 D WILSON CODE G32 GUNS SYSTEMS DIV CODE E23 TECH LIB DAHLGREN VA 2448-5000
1	CDR NSWC CRANE DIV ATTN CODE 4052 S BACKER BLDG 108 CRANE IN 47522-5000
2	CDR NUSC ENG CONV DEPT ATTN CODE 5B331 R S LAZAR TECH LIB NEWPORT RI 02840
1	CDR NSWC INDIAN HD DIV ATTN CODE 270P1 MR E CHAN 101 STRAUS AVE INDIAN HEAD MD 20640
1	CDR NSWC INDIAN HD DIV ATTN CODE 3120 MR R RAST 101 STRAUS AVE INDIAN HEAD MD 20640
1	CDR NSWC INDIAN HD DIV ATTN CODE 210P1 R SIMMONS 101 STRAUS AVE INDIAN HEAD MD 20640
2	CDR NSWC INDIAN HD DIV ATTN CODE 6210 S BOYLES N ALMEYDA 101 STRAUS AVE INDIAN HEAD MD 20640
1	CCDR NAWC ATTN CODE 3891 A ATWOOD CHINA LAKE CA 93555
1	CDR USAARDEC ATTN SMCAR CCH J HEDDERICH BLDG 1 PCTNY ARNSL NJ 07806-5000

<u>NO. OF COPIES</u>	<u>ORGANIZATION</u>	<u>NO. OF COPIES</u>	<u>ORGANIZATION</u>
1	OLAC PL TSTL ATTN D SHIPLETT EDWARD AFB CA 93523-5000	2	PENN STATE UNIV DEPT OF MECHANICAL ENGR ATTN J BROWN 312 MECHANICAL ENGR BLDG UNIVERSITY PK PA 16802
10	CIA OFC OF CENTRAL REFERENCE DISSEMINATION BRANCH RM GE47 HQS WASHINGTON DC 20502	1	NCSU ATTN J G GILLIGAN BOX 7909 1110 BURLINGTON ENGR LABS RALEIGH NC 27695-7909
1	CIA ATTN J E BACKOFEN HQ RM 5F22 WASHINGTON DC 20505	1	NCSU ATTN M BOURHAM BOX 7909 1110 BURLINGTON ENGR LABS RALEIGH NC 27695-7909
3	DIRECTOR LANL ATTN B KASWHIA H DAVIS E526 W REASS LOS ALAMOS NM 87545	2	INST FOR ADV TECH ATTN DR H FAIR P SULLIVAN 4030 2 W BAKER LANE AUSTIN TX 78759-5329
1	DIRE LLNL ATTN MS L355 A BUCKINGHAM PO BOX 808 LIVERMORE CA 94550	1	INST FOR ADV TECH ATTN DR I MCNAB 4030 2 W BAKER LANE AUSTIN TX 78759-5329
1	DIR SANDIA NAT LAB COMBUSTION RSCH FACILITY ATTN R ARMSTRONG DIV 8357 LIVERMORE CA 94551-0469	1	SRI INTERNATIONAL PROPULSION SCIENCE DIV ATTN TECH LIB 333 RAVENSWOOD AVE MENLO PARK CA 94025
1	DIR SANDIA NAT LAB COMBUSTION RSCH FACILITY ATTNS VOSEN DIV 8357 LIVEMORE CA 94551-0469	1	SPARTA ATTN DR M HOLLAND 945 TOWNE CENTER DR SAN DIEGO CA 92121-1964
1	UNIVERSITY OF ILLINOIS DEPT OF MECH INDUST ENGR ATTN PROF H KRIER 144 MEB 1206 N GREEN ST URBANA IL 61801	2	UNITED DEFENSE ATTN MR M SEALE DR A GIOVANETTI 4800 E RIVER RD MINNEAPOLIS MN 55421-1498
1	JHU CPIA ATTN T CHRISTIAN 10630 LTLE PATUXENT PKWY STE 202 COLUMBIA MD 21044-3200	1	UNITED DEFENSE ATTN MR J DYVIK 4800 E RIVER RD MINNEAPOLIS MN 55421-1498

<u>NO. OF</u> <u>COPIES</u>	<u>ORGANIZATION</u>	<u>NO. OF</u> <u>COPIES</u>	<u>ORGANIZATION</u>
1	HERCULES INC RADFORD ARMY AMMO PLANT ATTN D A WORRELL PO BOX 1 RADFORD VA 24141	1	SCIENCE APPLICATIONS INC ATTN J BATTEH 1225 JOHNSON FERRY RD STE 100 MARIETTA GA 30068
1	HERCULES INC RADFORD ARMY AMMO PLANT ATTN E SANFORD PO BOX 1 RADFORD VA 24141	1	SCIENCE APPLICATIONS INC ATTN L THORNHILL 1225 JOHNSON FERRY RD STE 100 MARIETTA GA 30068
2	GDLS ATTN MR F LUNSFORD DR M WEIDNER PO BOX 2074 WARREN MI 48090-2074	1	ELI FREEDMAN & ASSOC ATTN E FREEDMAN 2411 DIANA RD BALTIMORE MD 21209
2	OLIN ORDNANCE ATTN V MCDONALD LIBRARY H MCELROY PO BOX 222 ST MARKS FL 32355	1	VERITAY TECH INC ATTN MR E FISHER 4845 MILLERSPORT HWY E AMHERST NY 14051-0305
1	OLIN ORDNANCE ATTN D WORTHINGTON PO BOX 222 ST MARKS FL 32355	1	BATTELLE ATTN TACTEC LIB J N HUGGINS 505 KING AVE COLUMBUS OH 43201-2693
1	PAUL GOUGH ASSOC INC ATTN P S GOUGH 1048 SOUTH ST PORTSMOUTH NH 03801-5423	1	CA INSTITUTE OF TECH JET PROPULSION LAB ATNT L D STRAND MS125 224 4800 OAK GROVE DR PASADENA CA 91109
1	PHYSICS INTL LIBRARY ATTN H W WAMPLER PO BOX 5010 SAN LEANDRO CA 94577-0599	1	CA INSTITUTE OF TECH JET PROPULSION LAB ATTN D ELLIOT 4800 OAK GROVE DR PASADENA CA 91109
1	ROCKWELL INTL ROCKETDYNE DIV ATTN BA08 J E FLANAGAN 6633 CANOGA AVE CANOGA PK CA 91304	1	USA BENET LAB ATTN SMCAR CCB R DR DR S SPOCK WATERVLIET NY 12189
1	ROCKWELL INTL ROCKETDYNE DIV ATTN BA08 J GRAY 6633 CANOGA AVE CANOGA PK CA 91304	1	MARTIN MARIETTA DEFENSE SYS ATTN DR J MANDZY MAIL DROP 42 220 100 PLASTICS AVE PITTSFIELD MA 01201

<u>NO. OF COPIES</u>	<u>ORGANIZATION</u>	<u>NO. OF COPIES</u>	<u>ORGANIZATION</u>
1	STATE U OF NY DEPT OF ELEC ENGR ATTN DR W J SARGEANT BONNER HALL RM 312 BUFFALO NY 14260		<u>ABERDEEN PROVING GROUND, MD</u>
1	TEXAS TECH UNIVERSITY DEPT OF EE COMPUTER SCIENCE ATTN DR M KRISTIANSEN LUBBOCK TX 79409-4439	5	CDR, USACSTA ATTN: S. WALTON G. RICE D. LACEY C. HERUD STECS-DA-ID, L. FRANCIS
1	UNIV OF TEXAS AT ARLINGTON DEPT OF ELEC ENGR ATT DR L GORDON BOX 19016 ARLINGTON TX 76019-0016	33	DIR, USARL ATTN: AMSRL-WT, I. MAY D. ECCLESHALL AMSRL-WT-P, A. HORST AMSRL-WT-PC, R. FIFER AMSRL-WT-PB, E. SCHMIDT P. PLOSTINS A. ZIELINSKI AMSRL-WT-PD, B. BURNS AMSRL-WT-PA, T. MINOR M. DEL GUERCIO J. DESPIRITO G. KATULKA (10 CPS) G. KELLER D. KOOKER W. OBERLE F. ROBBINS T. ROSENBERGER I. STOBIE P. TRAN K. WHITE G. WREN AMSRL-WT-WD, A. NIILER C. HOLLANDSWORTH J. POWELL
1	WILKES UNIVERSITY DEPT OF ELEC ENGR ATTN DR A ARMAND WILKES BARRE PA 18766		
2	UNIVERSITY OF DELAWARE DEPT OF ELEC ENGR ATTN DR N GALLAGHER DR J KOLODZEY NEWARK DE 19716		
1	COLORADO SCHOOL OF MINES DEPT OF ENGINEERING ATTN C BRAUN GOLDEN CO 80401		
1	SNL ATTN MR M GRUBELICH DIV 2515 PO BOX 5800 ALBUQUERQUE NM 87185		

NO. OF  
COPIES ORGANIZATION

- 2 RARDE  
GS2 DIVISION BLDG R31  
ATTN DR C WOODLEY, DR G COOK  
FORT HALSTEAD  
SEVENOAKS KENT TN14 7BP  
ENGLAND
  
- 1 MATERIALS RESEARCH LABORATORY  
SALISBURY BRANCH  
ATTN ANNA WILDEGGER GAISSMAIER  
EXPLOSIVES ORDNANCE DIVISION  
SALISBURY  
SOUTH AUSTRALIA 5108

USER EVALUATION SHEET/CHANGE OF ADDRESS

This Laboratory undertakes a continuing effort to improve the quality of the reports it publishes. Your comments/answers to the items/questions below will aid us in our efforts.

1. ARL Report Number ARL-TR-880 Date of Report October 1995

2. Date Report Received \_\_\_\_\_

3. Does this report satisfy a need? (Comment on purpose, related project, or other area of interest for which the report will be used.) \_\_\_\_\_

4. Specifically, how is the report being used? (Information source, design data, procedure, source of ideas, etc.) \_\_\_\_\_

5. Has the information in this report led to any quantitative savings as far as man-hours or dollars saved, operating costs avoided, or efficiencies achieved, etc? If so, please elaborate. \_\_\_\_\_

6. General Comments. What do you think should be changed to improve future reports? (Indicate changes to organization, technical content, format, etc.) \_\_\_\_\_

CURRENT ADDRESS

Organization

Name

Street or P.O. Box No.

City, State, Zip Code

7. If indicating a Change of Address or Address Correction, please provide the Current or Correct address above and the Old or Incorrect address below.

OLD ADDRESS

Organization

Name

Street or P.O. Box No.

City, State, Zip Code

(Remove this sheet, fold as indicated, tape closed, and mail.) (DO NOT STAPLE)