



AFCTN Test Report 94-060

AFCTB-ID
94-009



Technical Publication Transfer

Using:



Sikorsky Aircraft's Data

For The Army Blackhawk Program
(Contract #DAAJ09-92-C-0004, P00017)



19960822 046

MIL-M-28001A (SGML)
MIL-D-28003 (CGM)

Quick Short Test Report

07 March 1994

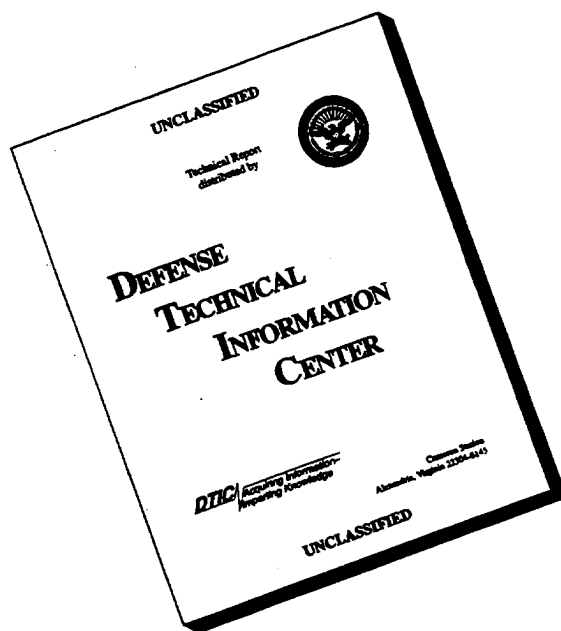


Prepare For:
Electronic Systems Center
Det 2 HQ ESC/AV-2
4027 Colonel Glenn Hwy, Suite 300
Dayton, Ohio 45431-1672

DMC QUALITY INSPECTED 3

DISTRIBUTION STATEMENT A
Approved for public release;
Distribution Unlimited.

DISCLAIMER NOTICE



THIS DOCUMENT IS BEST QUALITY AVAILABLE. THE COPY FURNISHED TO DTIC CONTAINED A SIGNIFICANT NUMBER OF PAGES WHICH DO NOT REPRODUCE LEGIBLY.

Technical Publication Transfer
Using:
Sikorsky Aircraft's Data
Prepared For The Army Blackhawk Program
(Contract #DAAJ09-92-C-0004, P00017)

MIL-M-28001A (SGML)
MIL-D-28003 (CGM)

Quick Short Test Report
07 March 1994

Prepared By
Air Force CALS Test Bed
Wright-Patterson AFB, OH 45433

AFCTB Contact
Gary Lammers
(513) 427-2295

AFCTN Contact
Mel Lammers
(513) 427-2295

DTIC QUALITY INSPECTED 3

DISCLAIMER

This document was prepared as an account of the work sponsored by the Air Force. Neither the United States Government, the Air Force, nor any of their employees makes any warranty, express or implied, or assumes any legal liability or responsibility for the accuracy, completeness, or usefulness of any information, apparatus, product, or process disclosed, nor represents that its use would not infringe on privately owned rights. Reference herein to any specific commercial products, process, or service by trade name, trademark, manufacturer, or otherwise, does not necessarily constitute or imply its endorsement, recommendation, or favoring by the United States Government or the Air Force. The views and opinions of authors expressed herein do not necessarily state or reflect those of the United States Government or the Air Force, and shall not be used for advertising or product endorsement purposes.

Available to the public from the
National Technical Information Service
U.S. Department of Commerce
5285 Port Royal Road
Springfield, VA 22161

This report and those involved in its preparation do not endorse any product, process, or company stated herein. Use of these means by anyone does not imply certification by the Air Force CALS Test Network (AFCTN).

Air Force CALS Test Bed

Notification of Test Results

07 March 1994

This notice documents the results of an Air Force CALS Test Bed (AFCTB) Quick Short Test Report (QSTR) evaluation of data submitted by:

Sikorsky Aircraft

Identified as follows:

Title:	Technical Publication Transfer
Program:	The Army Blackhawk Program
Program Office:	
Contract No.:	DAAJ09-92-C-0004,P00017
QSTR No.:	AFCTB-ID 94-009

Received on the following media: **9-Track Tape**

The results of the AFCTB Quick Short Test Report evaluation are as follows:

MIL-STD-1840A Media Format:	Pass
MIL-D-28000A IGES:	N/A
MIL-M-28001A SGML:	Fail
MIL-R-28002A Raster:	N/A
MIL-D-28003 CGM:	Fail

Formal results with associated disclaimer are documented and available from the AFCTB.

**Air Force CALS Test Bed
HQ ESC/AV-2P
4027 Colonel Glenn Highway, Suite 300
Dayton, OH 45431-1672
Phone: 513-257-3085 FAX: 513-257-5881**

Contents

1.	Introduction.....	1
1.1.	Background.....	1
1.2.	Purpose.....	2
2.	Test Parameters.....	3
3.	1840A Analysis.....	5
3.1.	External Packaging.....	5
3.2.	Transmission Envelope.....	5
3.2.1.	Tape Formats.....	5
3.2.2.	Declaration and Header Fields.....	6
4.	IGES Analysis.....	6
5.	SGML Analysis.....	6
6.	Raster Analysis.....	7
7.	CGM Analysis.....	8
8.	Conclusions and Recommendations.....	11
9.	Appendix A - Tapetool Report Logs.....	12
9.1.	Tape Catalog.....	12
9.2.	Tape Evaluation Log.....	13
9.3.	Tape File Set Validation Log.....	15
9.4.	Other Tape Reading Logs.....	18
10.	Appendix B - Detailed SGML Analysis.....	19
10.1.	Parser Log.....	19
10.2.	Exoterica validator exl Parser.....	21

10.3.	Public Domain sgmls Log.....	27
11.	Appendix C - Detailed CGM Analysis.....	28
11.1.	File D001C004.....	28
11.1.1.	Parser Log MetaCheck.....	28
11.1.2.	validcgm Log.....	30
11.1.3.	Output CADLeaf	31
11.1.4.	Output CALSView.....	32
11.1.5.	Output Generic.....	33
11.1.6.	Output Designer.....	34
11.1.7.	Output Freelance.....	35
11.1.8.	Output Harvard Graphics.....	36
11.1.9.	Output HiJaak for Windows.....	37
11.1.10.	Output IslandDraw 4.0.....	38
11.1.11.	Output Ventura Publisher.....	39
11.2.	File D001C009.....	40
11.2.1.	Parser Log MetaCheck.....	40
11.2.2.	validcgm Log.....	42
11.2.3.	Output CADLeaf	43
11.2.4.	Output CALSView.....	44
11.2.5.	Output Generic.....	45
11.2.6.	Output Designer.....	46
11.2.7.	Output Freelance.....	47
11.2.8.	Output Harvard Graphics.....	48
11.2.9.	Output HiJaak for Windows.....	49

11.2.10.	Output IslandDraw 4.0.....	50
11.2.11.	Output Ventura Publisher.....	51
11.3.	File D001C018.....	52
11.3.1.	Output CADLeaf	52
11.3.2.	Output CALSView.....	53
11.3.3.	Output Generic.....	54
11.3.4.	Output Designer.....	55
11.3.5.	Output Freelance.....	56
11.3.6.	Output Harvard Graphics.....	57
11.3.7.	Output HiJaak for Windows.....	58
11.3.8.	Output IslandDraw 4.0.....	59
11.3.9.	Output Ventura Publisher.....	60
11.4.	File D001C031.....	61
11.4.1.	Output CADLeaf	61
11.4.2.	Output CALSView.....	62
11.4.3.	Output Generic.....	63
11.4.4.	Output Designer.....	64
11.4.5.	Output Freelance.....	65
11.4.6.	Output Harvard Graphics.....	66
11.4.7.	Output HiJaak for Windows.....	67
11.4.8.	Output IslandDraw 4.0.....	68
11.4.9.	Output Ventura Publisher.....	69

1. Introduction

1.1 Background

The Department of Defense (DoD) Air Force Continuous Acquisition and Life-cycle Support (CALs) Test Network (AFCTN) is conducting tests of the military standard for the Automated Interchange of Technical Information, MIL-STD-1840A, and its companion suite of military specifications. The AFCTN is a DoD sponsored confederation of voluntary participants from industry and government managed by the Electronic Systems Center (ESC).

The primary objective of the AFCTN is to evaluate the effectiveness of the CALs standards for technical data interchange and to demonstrate the technical capabilities and operational suitability of those standards. Two general categories of tests are performed to evaluate the standards; formal and informal.

Formal tests are large and comprehensive, which follow a written test plan, require specific authorization from the DoD, and may take months to prepare, execute, and report.

Informal tests are quick and short, used by the AFCTN technical staff, to broaden the testing base. They include representative samples of the many systems and applications used by AFCTN participants. They also allow the AFCTN staff to gain feedback from many industry and government interpretations of the standards, to increase the base of participation in the CALs initiative, and respond to the many requests for help that come from participants. Participants take part voluntarily, benefit by receiving an evaluation of their latest implementation (interpretation) of the standards, interact with the AFCTN technical staff, gain experience using the standards, and develop increased confidence in them. The results of informal tests are reported in Quick Short Test Reports (QSTRs) that briefly summarize the standard(s) tested, the hardware and software used, the nature of the test, and the results.

1.2 Purpose

The purpose of the informal test, reported in this QSTR, was to analyze Sikorsky Aircraft's interpretation and use of the CALS standards in transferring technical publication data. Sikorsky used its CALS Technical Data Interchange System to produce data, in accordance with the standards, and delivered it to the AFCTN technical staff on a 9-track magnetic tape.

2. Test Parameters

Test Plan: AFCTB 94-009

Date of Evaluation: 07 March 1994

Evaluator: George Elwood
Air Force CALS Test Bed
DET 2 HQ ESC/AV-2P
4027 Colonel Glenn Hwy
Suite 300
Dayton OH 45431-1672

Data Originator: Frank Krasnicki
Sikorsky Aircraft
6900 Main Street
M/S B205A
P. O. Box 9729
Stratford CT 06497-9129
(203) 384-7068

Data Description: Technical Manual Test
1 Document Declaration file
1 Document Type Definition (DTD)
1 Text/Standard Generalized Markup Language (SGML) file
41 Computer Graphics Metafile (CGM) files

Data Source System: 1840

HARDWARE

DEC 5000 Ultrix RISC Workstations

SOFTWARE

ArborText Adept 1840A Tape Utility and Graphics Conversion Filters

Text/SGML

HARDWARE

DEC 5000 Ultrix RISC Workstations
DEC 5500 Server

SOFTWARE

ArborText Adept SGML Editor 5.0
Parlance Document Manager 1.3
Interbase Relational Database 3.2
Xyvision Parlance Publisher

CGM

HARDWARE

Auto-trol Apollo DN3550 Graphics Workstations
Auto-trol Apollo DSP 4500 servers

SOFTWARE

Auto-trol Tech Illustrator Plus 8.2.6
Auto-trol S5K/IGES Processor 6.0
Auto-trol S5K/CGM Converter 1.4
Auto-trol S5K/DXF AutoCad Converter 3.0

Evaluation Tools Used:

MIL-STD-1840A (TAPE)

SUN 3/280

AFCTN *Tapetool v1.2.10 UNIX*
XSoft *CAPS/CALS v40.4*

MIL-M-28001 (SGML)

SUN SparcStation 2

ArborText *ADEPT v4.2.1*

PC 486/50

Exoterica *XGMLNormalizer v1.2e3.2*
Exoterica *Validator v2.0 ex1*
McAfee & McAdam *Sema Mark-it v2.3*
Public Domain *sgmls*

MIL-D-28003 (CGM)

HP 735

SGI Indigo 2

IGES Data Analysis (IDA) *CALSVIEW*

SUN SparcStation 2

Carberry *CADLeaf Plus v3.1*
Island Graphics *IslandDraw v3.0*
Island Graphics *IslandDraw v4.0*

PC 486/50

Advanced Technology Center
(ATC) *MetaCheck R 2.10*
Software Publishing Corporation
(SPC) *Harvard Graphics v3.05*
Inset Systems *HiJaak Pro*
Lotus *Freelance v2.01*
Micrografx *Designer v4.0*
Corel Ventura *Publisher*

Standards

Tested:

MIL-STD-1840A
MIL-M-28001A
MIL-D-28003

3. 1840A Analysis

3.1 External Packaging

The tape arrived at the Air Force CALS Test Bed (AFCTB) enclosed in a box in accordance with ASTM D 3951. The exterior of the box was marked with a magnetic tape warning label, as required by MIL-STD-1840A, para. 5.3.1.3.

The tape was enclosed in barrier sheet material as required by MIL-STD-1840A, para. 5.3.1.2. Inspection of the tape reel showed the label indicating the recording density, as required by MIL-STD-1840A, para. 5.3.1. Enclosed in the box was a packing list showing all files recorded on the tape.

External packaging meets the requirements defined in CALS MIL-STD-1840A.

3.2 Transmission Envelope

The 9-track tape received by the AFCTB contained MIL-STD-1840A files. The files were named per the standard conventions.

3.2.1 Tape Formats

The tape was run through the AFCTN *Tapetool v1.2.10* utility. No errors were encountered while evaluating the contents of the tape labels.

The tape was read using the XSoft *CAPS read1840A* utility without a reported error.

The tape format meets the requirements defined in CALS MIL-STD-1840A and ANSI 3.27.

3.2.2 Declaration and Header Fields

No errors were found in the Document Declaration file and data file headers. The structure of these files meet the requirements defined in CALS MIL-STD-1840A.

4. IGES Analysis

No Initial Graphics Exchange Specification (IGES) files were included in this evaluation.

5. SGML Analysis

The tape submitted by Sikorsky contained DTD and text files. The AFCTB has several parser available for evaluating submitted DTD and text files. These tools are not used to generate a pass/fail but to report how commercially available software can handle the files. These products are used in the development of technical publications and are good indicators of usability. The use of these products is not an endorsement nor an indication of CALS capability. All operations were performed using the default settings unless specified in the report. Changes to DTD or text files required by each system are not documented in the report.

The text and DTD files were tested using the *Exoterica XGMLNormalizer* parser. The provided DTD parsed without any reported errors or warnings. Using the provided DTD, the text file had many reported errors. The errors were similar, in that they all pointed to missing external references. The line shown below was added to correct this condition. A check of the DTD showed that the external reference entities were not called. These statements were added to the DTD, and the text file parsed without any reported errors or warnings.

```
%ISOnum; %ISOpub;
```

The text and DTD files were evaluated using another parser, available within the AFCTB. The corrected DTD was used during the parsing operation. This parser reported several

graphic entities were reused, along with other errors. Because of the errors the DTD did not compile and, therefore, the text file could not be evaluated. The parser log is included in Appendix B, Section 10.1 to this report.

The text and DTD files were evaluated using the Exoterica *Validator ex1* parser. This operation generated multiple graphic redefinition warnings as well as other type warnings. The parser log is included in Appendix B, Section 10.2 to this report.

The text and corrected DTD files were evaluated using McAfee & McAdam's *Sema Mark-it* parser. This program reported no errors.

The text and corrected DTD files were evaluated using the Public Domain *sgmls* parser. Only one error, which is shown below, was reported. The parser log is included in Appendix B, Section 10.3 to this report.

```
<!ELEMENT (illlist | tablist) - - EMPTY >
```

The text and corrected DTD files were imported into Arbor-Text's *Adept* software. The DTD parsed without error.

Because of the error in the DTD, the provided files do not meet the CALS MIL-M-28001A specification.

6. Raster Analysis

No Raster files were included in this evaluation.

7. CGM Analysis

The tape contained 41 CGM files. The files were evaluated using ATC's *MetaCheck* with CALS options. The utility reported that all files failed to meet the specification defined in MIL-D-28003. The reported error is related to the use of non-valid fonts.

===== CALS CGM Profile (MIL-D-28003) Report =====

Error 6509: Element Class/ID: 1/13 Offset: 84 octets Element No. 9
Invalid list parameters; each of the Font Names in the FONT LIST element must be among the Font Names allowed by the Profile.

All CGM files were evaluated using the beta AFCTN *validcgm* utility. This utility also reported errors in the fonts. MIL-D-28003, para. 3.2.5 permits 16 fonts in the Hershey group.

```
MILSPEC 28003 error: illegal font name  HELVETICA
MILSPEC 28003 error: illegal font name  HELEVITICA_BOLD
MILSPEC 28003 error: illegal font name  FRANKLINGOTHIC-HEAVY
(9, 84)           (1, 13, 48)   Font List
                    "HELVETICA"
                    "HELEVITICA_BOLD"
                    "FRANKLINGOTHIC-HEAVY"
```

The AFCTB has several tools for viewing CGM files. These tools are not used to generate a pass/fail but to report how commercially available software can handle the files. Many of these products are used in the development of technical publications and are good indicators of usability. The use of these products is not an endorsement nor an indication of CALS capability. All operations were performed using the default settings.

Because of the number of submitted files, a sample was selected for the detailed evaluation discussed below. Four sets of hard copies (D001C004, C009, C018, and C031) are provided along with the parser logs for two files (D001C004 and D001C009). An additional four files, D001C012, C022,

C028, and C045, were also reviewed in detail. These files are not discussed but received the same level of review as those listed above.

All files were read into Carberry's *CADLeaf* software and displayed without a reported problem. No errors were noted in file C004. File C009 had text overrunning graphics. The text overflow problem was also noted in file C018.

According to R.Bryan DiAntonio of Carberry, "...with the 'Proportional Font' option turned on, text overrunning was fixed."

The sample files were read into IDA's *CALSVIEW* software and displayed without a reported problem. In checking the displayed and hard copy images, some errors were noted. The two lines of text in file C004 and C009 appear to touch. The text overflows the defined area in file C018. In file C031, the background color of the circles located within the square shapes was black, making the numbers located within the circles unreadable.

The selected files were viewed and printed using another software available within the AFCTB. No errors were reported during the import process. All files displayed a set of lines from one point to various entities. The text overflow problem in file C018 was noted.

The selected files were imported into the *Micrografx Designer* with all files reporting four errors. The sample files displayed entity errors. Lines, arcs, and circles were missing or disjointed. However, the text overflow problem, noted above in file C018, was not present.

According to Michael Harrison of *Micrografx*, "Micrografx is aware of the problems associated with reading these files and is working on a solution to be implemented in a future release of our product."

The sample files were imported into Lotus' *Freelance* and displayed without a reported error. When displayed, the image had to be reduced in size to fit the defined page. No problems were noted in file C004. File C009 had some text run together. File C018 had text overflow along with overwriting of graphics entities. In file C031, the background color of the circles located within the square shapes was

black, making the numbers located within the circles unreadable.

The sample files were imported into SPC's *Harvard Graphics* v3.05 without a reported error. When displayed and printed entity errors and misplaced arcs were noted. The text overflow problem, in file C018, was also present. In file C031, the background color of the circles located within the square shapes was black, making the numbers located within the circles unreadable.

The sample files were read into Inset Systems' *HiJaak Pro* without a reported error. All of the graphics images appeared to be complete. Some overlap of leader lines and text was noted. The text overflow problem was present in file C018. In file C031, the background color of the circles located within the square shapes was black, making the numbers located within the circles unreadable.

The sample files were imported directly into Island Graphics' *IslandDraw* v4.0 without a reported error. When first displayed on the screen, no text was present. By re-selecting the text as black, it was displayed. Entity errors, misplaced arcs, and disjointed line segments were noted in files C004, C009, and C018. However, the text in file C018 was correctly placed within the text block. In file C031, the background color of the circles located within the square shapes was black, making the numbers located within the circles unreadable.

The sample files were imported into Corel's *Ventura Publisher* without a reported error. When displayed and printed, entity errors, misplaced arcs, and disjointed lines were noted in all files. The text in file C018 was placed correctly. The square and circles in file C031 were also displayed correctly.

The CGM files were reported in error by both ATC's *MetaCheck* and AFCTN's *validcgm*. The problem relates to use of nonapproved fonts. The files were imported into several applications in the AFCTB, and they all reported problems with the files. The most noted error was in text overflow in file C018. Some applications had problems with incomplete entity structure. Because of the font problem, the files do not meet the CALS MIL-D-28003 specification.

8. Conclusions and Recommendations

The physical structure, Document Declaration file, and data file headers of the tape from Sikorsky Aircraft was correct. This portion of the tape meets the CALS MIL-STD-1840A requirements.

The DTD contained errors which had to be corrected before any additional evaluation could be completed. The SGML files do not meet the CALS MIL-M-28001A specification, due to the errors in the DTD.

The CGM files do not meet the CALS MIL-D-28003 specification, due to the non-supported text fonts.

The tape does not meet the CALS MIL-STD-1840A requirements, because of errors in the DTD and CGM files.

9. Appendix A - Tapetool Report Logs

9.1 Tape Catalog

CALS Test Network Catalog Evaluation - Version 1.2; Release 10 (C)

Standards referenced:

- MIL-STD-1840A (1987) - Automated Interchange of Technical Information
- ANSI X3.27 (1987) - File Structure and labeling of Magnetic Tapes
for Information Interchange
- ANSI X3.4 (1986) - Coded Character Sets - 7 Bit ASCII

Fri Mar 4 13:09:46 1994

MIL-STD-1840A File Catalog

File Set Directory: /cals/u1210/Set048

Page: 1

File Name	File Type	Record Format/ Length	Block Length/Total	Selected/ Extracted
D001	Document Declaration	D/00260	02048/000001	Extracted
D001C004	CGM	F/00080	00800/000045	Extracted
D001C005	CGM	F/00080	00800/000011	Extracted
D001C006	CGM	F/00080	00800/000005	Extracted

<<<<< PART OF LOG REMOVED HERE >>>>>

D001C044	CGM	F/00080	00800/000030	Extracted
D001C045	CGM	F/00080	00800/000025	Extracted
D001G002	DTD	D/00260	02048/000017	Extracted
D001H003	Output Specification	D/00260	02048/000002	Extracted
D001T001	Text	D/00260	02048/000312	Extracted

Catalog Process terminated normally.

9.2 Tape Evaluation Log

CALS Test Network Tape Evaluation - Version 1.2; Release 10 (C)

Standards referenced:

ANSI X3.27 (1987) - File Structure and labeling of Magnetic Tapes
for Information Interchange

ANSI X3.4 (1986) - Coded Character Sets - 7 Bit ASCII

Fri Mar 4 13:08:34 1994

ANSI Tape Import Log

Allocating tape drive /dev/rmt0...

/dev/rmt0 allocated.

VOL1CAL501

KRASNICK

4

Label Identifier: VOL1
Volume Identifier: CAL501
Volume Accessibility:
Owner Identifier: KRASNICK
Label Standard Version: 4

HDR1D001

00010001000100 94060 99364 000000UNIX4.2-PRODS

Label Identifier: HDR1
File Identifier: D001
File Set Identifier:
File Section Number: 0001
File Sequence Number: 0001
Generation Number: 0001
Generation Version Number: 00
Creation Date: 94060
Expiration Date: 99364
File Accessibility:
Block Count: 000000
Implementation Identifier: UNIX4.2-PRODS

HDR2D0204800260

00

Label Identifier: HDR2
Recording Format: D
Block Length: 02048
Record Length: 00260
Offset Length: 00

***** Tape Mark *****

<<<<< PART OF LOG REMOVED HERE >>>>>

***** Tape Mark *****

End of Volume CALS01

End Of Tape File Set

Deallocating /dev/rmt0...

Tape Import Process terminated normally.

9.3 Tape File Set Validation Log

CALS Test Network File Set Evaluation - Version 1.2; Release 10 (C)

Standards referenced:

MIL-STD-1840A (1987) - Automated Interchange of Technical Information

Fri Mar 4 13:09:47 1994

MIL-STD-1840A File Set Evaluation Log

File Set: Set048

Found file: D001

Extracting Document Declaration Header Records...

Evaluating Document Declaration Header Records...

srcsys: Sikorsky Aircraft 6900 Main St. Stratford,CT 06601-1381

srcdocid: DMWR 1-1650-384

srcrelid: NONE

chglvl: ORIGINAL

dteisu: 19940302

dstsys: U.S. Army ATCOM

dstdocid: DMWR 1-1650-384

dstrelid: NONE

dtetrn: 19940302

dlvacc: NONE

filcnt: T1,G1,H1,C42

ttlcls: UNCLASSIFIED

doccls: UNCLASSIFIED

doctyp: Technical Order

docttl: Tail Rotor Servo Assembly

Found file: D001C004

Extracting CGM Header Records...

Evaluating CGM Header Records...

srcdocid: DMWR 1-1650-384

dstdocid: DMWR 1-1650-384

txtfilid: W

figid: 4-6

srcgph: aa3149

doccls: UNCLASSIFIED

notes: NONE

Saving CGM Header File: D001C004_HDR

Saving CGM Data File: D001C004_CGM

Found file: D001C005
Extracting CGM Header Records...
Evaluating CGM Header Records...

srcdocid: DMWR 1-1650-384
dstdocid: DMWR 1-1650-384
txtfilid: W
figid: 3-5
srcgph: aa3126
doccls: UNCLASSIFIED
notes: NONE

Saving CGM Header File: D001C005_HDR
Saving CGM Data File: D001C005_CGM

<<<< PART OF LOG FILE REMOVED HERE >>>>

Found file: D001C045
Extracting CGM Header Records...
Evaluating CGM Header Records...

srcdocid: DMWR 1-1650-384
dstdocid: DMWR 1-1650-384
txtfilid: W
figid: 4-5
srcgph: aa3148
doccls: UNCLASSIFIED
notes: NONE

Saving CGM Header File: D001C045_HDR
Saving CGM Data File: D001C045_CGM

Found file: D001G002
Extracting DTD Header Records...
Evaluating DTD Header Records...

srcdocid: DMWR 1-1650-384
dstdocid: DMWR 1-1650-384
notes: DTD

Saving DTD Header File: D001G002_HDR
Saving DTD Data File: D001G002_DTD

Found file: D001H003
Extracting Output Specification Header Records...
Evaluating Output Specification Header Records...

srcdocid: DMWR 1-1650-384

dstdocid: DMWR 1-1650-384
notes: FOSI

Saving Output Specification Header File: D001H003_HDR
Saving Output Specification Data File: D001H003_OS

Found file: D001T001
Extracting Text Header Records...
Evaluating Text Header Records...

srcdocid: DMWR 1-1650-384
dstdocid: DMWR 1-1650-384
txtfilid: W
doccls: UNCLASSIFIED
notes: SGML

Saving Text Header File: D001T001_HDR
Saving Text Data File: D001T001_TXT

Evaluating numbering scheme...
No errors were encountered during numbering scheme evaluation.
Numbering scheme evaluation complete.

Checking file count...
No errors were encountered during file count verification.
File Count verification complete.

No errors were encountered in Document D001.

No errors were encountered in this File Set.

MIL-STD-1840A File Set Evaluation Complete.

9.4 Other Tape Reading Logs

```
/cals/caps/Bin/read1840A: --- Read declaration file 'D001 ' ---  
/cals/caps/Bin/read1840A: writing data file '9409/DMWR1-1650-384/aa3149.C.cgm'.  
/cals/caps/Bin/read1840A: writing data file '9409/DMWR1-1650-384/aa3126.C.cgm'.  
/cals/caps/Bin/read1840A: writing data file '9409/DMWR1-1650-384/aa3127.C.cgm'.  
/cals/caps/Bin/read1840A: writing data file '9409/DMWR1-1650-384/aa3128.C.cgm'.
```

<<<< PART OF LOG REMOVED HERE >>>>

```
/cals/caps/Bin/read1840A: writing data file '9409/DMWR1-1650-384/aa3147.C.cgm'.  
/cals/caps/Bin/read1840A: writing data file '9409/DMWR1-1650-384/aa3148.C.cgm'.  
/cals/caps/Bin/read1840A: writing data file '9409/DMWR1-1650-384/DMWR11650384.G.dtd'.  
/cals/caps/Bin/read1840A: writing data file '9409/DMWR1-1650-384/DMWR11650384.H.out'.  
/cals/caps/Bin/read1840A: writing data file '9409/DMWR1-1650-384/W.T.sgm'.  
-- declaration file indicates 1 files of type T  
-- declaration file indicates 1 files of type G  
-- declaration file indicates 1 files of type H  
-- declaration file indicates 0 files of type Q  
-- declaration file indicates 0 files of type R  
-- declaration file indicates 42 files of type C  
-- declaration file indicates 0 files of type X  
-- declaration file indicates 0 files of type P  
-- declaration file indicates 0 files of type Z
```

10. Appendix B - Detailed SGML Analysis

10.1 Parser Log

SGML Document Type Definition Parser
An SGML System Conforming to
International Standard ISO 8879
Standard Generalized Markup Language

Log file: '9409.LOG'
SDO File: 'ctnddecl.sdo'
Namecase General is yes.
Namecase Entity is no.
Parsing DTD file: '9409.dtd'
Parsing DOCTYPE DMWR

- DTD0143: Attempt to declare general entity name 'aa3150'
more than once denied.
In declaration: '<!ENTITY'.
In declaration: '<!['.
In declaration: '<!DOCTYPE'.
in entity 'math'
in line 106 in file '9409.dtd'
<<<< PART OF LOG FILE REMOVED HERE >>>>
- DTD0137: Incorrect token 'TEMP'. Parser Ignoring Input Up To Next MDO.
In declaration: '<!['.
In declaration: '<!['.
In declaration: '<!DOCTYPE'.
in entity 'text'
in line 652 in file '9409.dtd'
- DTD0221: An unknown keyword was used in a marked section declaration. Only
TEMP, IGNORE, and INCLUDE are allowed in a Document Type Definition.
CDATA and RCDATA are allowed in a document instance.
In declaration: '<!['.
In declaration: '<!['.
In declaration: '<!DOCTYPE'.
in entity 'text'
in line 656 in file '9409.dtd'
- DTD0095: Start tag for element 'ILLLIST' cannot be omitted if the
element had declared content (CDATA, RCDATA, EMPTY).
- DTD0095: Start tag for element 'TABLIST' cannot be omitted if the
element had declared content (CDATA, RCDATA, EMPTY).
- DTD0096: The generic ID DOCTYPE has not been used in any content
model, inclusion, or as a doctype element.
- DTD0096: The generic ID PRTITLE has not been used in any content
model, inclusion, or as a doctype element.
-

- DTD0096: The generic ID HOWTOUSE has not been used in any content model, inclusion, or as a doctype element.
- DTD0096: The generic ID BODY has not been used in any content model, inclusion, or as a doctype element.
- DTD0096: The generic ID SECTINDEX has not been used in any content model, inclusion, or as a doctype element.
- DTD0096: The generic ID PERSONNEL has not been used in any content model, inclusion, or as a doctype element.
- DTD0096: The generic ID MATERIALINDEX has not been used in any content model, inclusion, or as a doctype element.
- DTD0096: The generic ID REFINDEX has not been used in any content model, inclusion, or as a doctype element.
- DTD0096: The generic ID EQUIPCON has not been used in any content model, inclusion, or as a doctype element.
- DTD0096: The generic ID ENVIRONMENT has not been used in any content model, inclusion, or as a doctype element.
- DTD0096: The generic ID APPLICABIL has not been used in any content model, inclusion, or as a doctype element.
- DTD0096: The generic ID TOOLS has not been used in any content model, inclusion, or as a doctype element.
- DTD0096: The generic ID SPECIALINST has not been used in any content model, inclusion, or as a doctype element.
- DTD0096: The generic ID GENSAFINST has not been used in any content model, inclusion, or as a doctype element.
- DTD0096: The generic ID PARTNAME has not been used in any content model, inclusion, or as a doctype element.
- DTD0096: The generic ID APPMAC has not been used in any content model, inclusion, or as a doctype element.
- DTD0096: The generic ID APPINVENT has not been used in any content model, inclusion, or as a doctype element.
- DTD0096: The generic ID EXPENDINTRO has not been used in any content model, inclusion, or as a doctype element.
- DTD0096: The generic ID SUBFIG has not been used in any content model, inclusion, or as a doctype element.
- DTD0096: The generic ID PARAINDEX has not been used in any content model, inclusion, or as a doctype element.
- DTD0096: The generic ID SECT has not been used in any content model, inclusion, or as a doctype element.
- DTD0096: The generic ID INSPECTOR has not been used in any content model, inclusion, or as a doctype element.
- DTD0096: The generic ID DATE has not been used in any content model, inclusion, or as a doctype element.

DTD does not conform to ISO 8879 standard due to these errors:
Syntax error count: 1
Uncorrectable syntax error count: 1
.DTO file not created due to parsing errors.
Program status code: 5.

10.2 Exoterica validator exl Parser

```
<!-- **Warning** in "9409.sgm", line 179:
  A general entity name has been declared more than once.
  The entity is "aa3150".
  <!ENTITY aa3150 SYSTEM "/usr/homedirs/admin/s18984/aa3150.cgm" NDATA cgm  >
      ^^^^^^
-->

                                     <<<<< PART OF REMOVED HERE >>>>>

<!-- **Warning** in "9409.sgm", line 337:
  An EMPTY element must have a start tag and must not have an end tag.
  Therefore, it is inappropriate to specify an omissible start tag or an
  inomissible end tag in its declaration.
  The elements are "ILLLIST" and "TABLIST".
  <!ELEMENT (illlist | tablist) - - EMPTY >
      ^^^^^^
-->

<!-- **Warning** in "9409.sgm", line 651:
  An element with mixed content should permit data characters ("#PCDATA") in
  all parts of its content model.
  The element being declared is "PARA".
  <!ELEMENT para - o (label? , (%paracon;))    +(tgroup)  >
      /\
-->

<!-- **Warning** in "9409.sgm", line 910:
  An element is not allowed in the document instance because it does not
  appear in any accessible content model or it is completely excluded.
  The element is "APPINVENT".
-->

<!-- **Warning** in "9409.sgm", line 910:
  An element is not allowed in the document instance because it does not
  appear in any accessible content model or it is completely excluded.
  The element is "APPLICABIL".
-->

<!-- **Warning** in "9409.sgm", line 910:
  An element is not allowed in the document instance because it does not
  appear in any accessible content model or it is completely excluded.
  The element is "APPMAC".
-->

<!-- **Warning** in "9409.sgm", line 910:
  An element is not allowed in the document instance because it does not
  appear in any accessible content model or it is completely excluded.
  The element is "AVIM".
-->

<!-- **Warning** in "9409.sgm", line 910:
  An element is not allowed in the document instance because it does not
```

```
    appear in any accessible content model or it is completely excluded.
    The element is "AVUM".
-->
<!-- **Warning** in "9409.sgm", line 910:
    An element is not allowed in the document instance because it does not
    appear in any accessible content model or it is completely excluded.
    The element is "BODY".
-->
<!-- **Warning** in "9409.sgm", line 910:
    An element is not allowed in the document instance because it does not
    appear in any accessible content model or it is completely excluded.
    The element is "CABINTAB".
-->
<!-- **Warning** in "9409.sgm", line 910:
    An element is not allowed in the document instance because it does not
    appear in any accessible content model or it is completely excluded.
    The element is "COCKPITAB".
-->
<!-- **Warning** in "9409.sgm", line 910:
    An element is not allowed in the document instance because it does not
    appear in any accessible content model or it is completely excluded.
    The element is "COMPASSY".
-->
<!-- **Warning** in "9409.sgm", line 910:
    An element is not allowed in the document instance because it does not
    appear in any accessible content model or it is completely excluded.
    The element is "DATE".
-->
<!-- **Warning** in "9409.sgm", line 910:
    An element is not allowed in the document instance because it does not
    appear in any accessible content model or it is completely excluded.
    The element is "DEPOT".
-->
<!-- **Warning** in "9409.sgm", line 910:
    An element is not allowed in the document instance because it does not
    appear in any accessible content model or it is completely excluded.
    The element is "DOCTYPE".
-->
<!-- **Warning** in "9409.sgm", line 910:
    An element is not allowed in the document instance because it does not
    appear in any accessible content model or it is completely excluded.
    The element is "ENVIRONMENT".
-->
<!-- **Warning** in "9409.sgm", line 910:
    An element is not allowed in the document instance because it does not
    appear in any accessible content model or it is completely excluded.
    The element is "EQUIPCON".
-->
```

```
<!-- **Warning** in "9409.sgm", line 910:
  An element is not allowed in the document instance because it does not
  appear in any accessible content model or it is completely excluded.
  The element is "EXPENDINTRO".
-->
<!-- **Warning** in "9409.sgm", line 910:
  An element is not allowed in the document instance because it does not
  appear in any accessible content model or it is completely excluded.
  The element is "GENSAFINST".
-->
<!-- **Warning** in "9409.sgm", line 910:
  An element is not allowed in the document instance because it does not
  appear in any accessible content model or it is completely excluded.
  The element is "GPNO".
-->
<!-- **Warning** in "9409.sgm", line 910:
  An element is not allowed in the document instance because it does not
  appear in any accessible content model or it is completely excluded.
  The element is "HOWTOUSE".
-->
<!-- **Warning** in "9409.sgm", line 910:
  An element is not allowed in the document instance because it does not
  appear in any accessible content model or it is completely excluded.
  The element is "INSPECTOR".
-->
<!-- **Warning** in "9409.sgm", line 910:
  An element is not allowed in the document instance because it does not
  appear in any accessible content model or it is completely excluded.
  The element is "MAC".
-->
<!-- **Warning** in "9409.sgm", line 910:
  An element is not allowed in the document instance because it does not
  appear in any accessible content model or it is completely excluded.
  The element is "MACINTRO".
-->
<!-- **Warning** in "9409.sgm", line 910:
  An element is not allowed in the document instance because it does not
  appear in any accessible content model or it is completely excluded.
  The element is "MACREMARKS".
-->
<!-- **Warning** in "9409.sgm", line 910:
  An element is not allowed in the document instance because it does not
  appear in any accessible content model or it is completely excluded.
  The element is "MACTOOLS".
-->
<!-- **Warning** in "9409.sgm", line 910:
  An element is not allowed in the document instance because it does not
  appear in any accessible content model or it is completely excluded.
```

```
The element is "MAINTCAT".
-->
<!-- **Warning** in "9409.sgm", line 910:
  An element is not allowed in the document instance because it does not
  appear in any accessible content model or it is completely excluded.
  The element is "MAINTFUNC".
-->
<!-- **Warning** in "9409.sgm", line 910:
  An element is not allowed in the document instance because it does not   appear in
  accessible content model or it is completely excluded.
  The element is "MATERIALINDEX".
-->
<!-- **Warning** in "9409.sgm", line 910:
  An element is not allowed in the document instance because it does not
  appear in any accessible content model or it is completely excluded.
  The element is "MOS".
-->
<!-- **Warning** in "9409.sgm", line 910:
  An element is not allowed in the document instance because it does not
  appear in any accessible content model or it is completely excluded.
  The element is "MOSTITLE".
-->
<!-- **Warning** in "9409.sgm", line 910:
  An element is not allowed in the document instance because it does not
  appear in any accessible content model or it is completely excluded.
  The element is "PARAINDEX".
-->
<!-- **Warning** in "9409.sgm", line 910:
  An element is not allowed in the document instance because it does not
  appear in any accessible content model or it is completely excluded.
  The element is "PARANO".
-->
<!-- **Warning** in "9409.sgm", line 910:
  An element is not allowed in the document instance because it does not
  appear in any accessible content model or it is completely excluded.
  The element is "PARTNAME".
-->
<!-- **Warning** in "9409.sgm", line 910:
  An element is not allowed in the document instance because it does not
  appear in any accessible content model or it is completely excluded.
  The element is "PERSONNEL".
-->
<!-- **Warning** in "9409.sgm", line 910:
  An element is not allowed in the document instance because it does not
  appear in any accessible content model or it is completely excluded.
  The element is "PERSONREQ".
-->
<!-- **Warning** in "9409.sgm", line 910:
```

An element is not allowed in the document instance because it does not appear in any accessible content model or it is completely excluded.
The element is "PRTITLE".

-->
<!-- **Warning** in "9409.sgm", line 910:
An element is not allowed in the document instance because it does not appear in any accessible content model or it is completely excluded.
The element is "PYLONTAB".

-->
<!-- **Warning** in "9409.sgm", line 910:
An element is not allowed in the document instance because it does not appear in any accessible content model or it is completely excluded.
The element is "REFCODE".

-->
<!-- **Warning** in "9409.sgm", line 910:
An element is not allowed in the document instance because it does not appear in any accessible content model or it is completely excluded.
The element is "REFINDEX".

-->
<!-- **Warning** in "9409.sgm", line 910:
An element is not allowed in the document instance because it does not appear in any accessible content model or it is completely excluded.
The element is "REMARKS".

-->
<!-- **Warning** in "9409.sgm", line 910:
An element is not allowed in the document instance because it does not appear in any accessible content model or it is completely excluded.
The element is "SECT".

-->
<!-- **Warning** in "9409.sgm", line 910:
An element is not allowed in the document instance because it does not appear in any accessible content model or it is completely excluded.
The element is "SECTINDEX".

-->
<!-- **Warning** in "9409.sgm", line 910:
An element is not allowed in the document instance because it does not appear in any accessible content model or it is completely excluded.
The element is "SERIES".

-->
<!-- **Warning** in "9409.sgm", line 910:
An element is not allowed in the document instance because it does not appear in any accessible content model or it is completely excluded.
The element is "SPECIALINST".

-->
<!-- **Warning** in "9409.sgm", line 910:
An element is not allowed in the document instance because it does not appear in any accessible content model or it is completely excluded.
The element is "SUBFIG".

```
-->
<!-- **Warning** in "9409.sgm", line 910:
  An element is not allowed in the document instance because it does not
  appear in any accessible content model or it is completely excluded.
  The element is "SUBHOWTO".
-->
<!-- **Warning** in "9409.sgm", line 910:
  An element is not allowed in the document instance because it does not
  appear in any accessible content model or it is completely excluded.
  The element is "TAILTAB".
-->
<!-- **Warning** in "9409.sgm", line 910:
  An element is not allowed in the document instance because it does not
  appear in any accessible content model or it is completely excluded.
  The element is "TE".
-->
<!-- **Warning** in "9409.sgm", line 910:
  An element is not allowed in the document instance because it does not
  appear in any accessible content model or it is completely excluded.
  The element is "TOOLNO".
-->
<!-- **Warning** in "9409.sgm", line 910:
  An element is not allowed in the document instance because it does not
  appear in any accessible content model or it is completely excluded.
  The element is "TOOLS".
-->
<!-- **Warning** in "9409.sgm", line 910:
  An element is not allowed in the document instance because it does not
  appear in any accessible content model or it is completely excluded.
  The element is "TRANSTAB".
-->
```

10.3 Public Domain sgmls Log

sgmls: Warning at 9409.dtd, line 295 in declaration parameter 4:
End-tag minimization should be "O" for EMPTY element

| | |
|----------|---------------|
| TOTALCAP | 102899/200000 |
| ENTCAP | 27200/200000 |
| ENTCHCAP | 11573/200000 |
| ELEMCAP | 6976/200000 |
| GRPCAP | 37856/200000 |
| EXGRPCAP | 608/200000 |
| EXNMCAP | 1344/200000 |
| ATTCAP | 12640/200000 |
| ATTCHCAP | 203/200000 |
| AVGRPCAP | 4416/200000 |
| NOTCAP | 32/200000 |
| NOTCHCAP | 51/200000 |

11. Appendix C - Detailed CGM Analysis

11.1 File D001C004

11.1.1 Parser Log MetaCheck

MetaCheck Version 2.10 -- CGM/MIL-D-28003 Conformance Analyzer
Copyright 1988-93 CGM Technology Software
Execution Date: 03/04/94 Time: 15:25:33

Metafile Examined : i:\94009\c004.cgm

Pictures Examined : All
Elements Examined : All
Bytes Examined : All

=====
Trace Report
=====

Tracing not selected.

=====
CGM Conformance Violation Report
=====

No Errors Detected

=====
CAL S CGM Profile (MIL-D-28003) Report
=====

Error 6509: Element Class/ID: 1/13 Offset: 84 octets Element No. 9
Invalid list parameters; each of the Font Names in the FONT LIST element
must be among the Font Names allowed by the Profile.

=====
Conformance Summary Report
=====

MetaCheck Version 2.10 -- CGM/MIL-D-28003 Conformance Analyzer
Copyright 1988-93 CGM Technology Software
Execution Date: 03/04/94 Time: 15:25:39

Name of CGM under test: i:\94009\c004.cgm
Encoding : Binary

Pictures Examined : All
Elements Examined : All
Bytes Examined : All

BEGIN METAFILE string : >aa3149<
METAFILE DESCRIPTION : >AUTO-TROL/REL-1.0 MIL-D-28003/BASIC-<

Picture 1 starts at octet offset 136: >aa3149<

Conformance Summary : This file conforms to the CGM specification.
However, this file does not satisfy
the CALS CGM Profile (MIL-D-28003).

Summary of Testing Performed and Errors Found:

1 Pictures Tested
1444 Elements Tested
35036 Octets Tested

| | | |
|--|--------|------|
| 0 Illegal CGM Elements | 1000 - | 1999 |
| 0 Incorrect CGM Element Lengths | 2000 - | 2999 |
| 0 CGM State Errors | 3000 - | 3499 |
| 0 Required CGM Elements Missing or Wrong | 4000 - | 4499 |
| 0 CGM Parameter Values Out of Range | 6000 - | 6499 |
| 0 CGM Structure Errors | 7000 - | 7499 |
| 0 *** CGM Errors Found (total) | *** | |
| 0 Profile State Errors | 3500 - | 3999 |
| 0 Illegal Profile Elements | 4500 - | 4999 |
| 1 Profile Parameter Values Out of Range | 6500 - | 6999 |
| 0 Profile Data Limits Exceeded | 8500 - | 8999 |
| 0 Other Profile Constraints Violated | 9500 - | 9999 |
| 1 *** Profile Violations Found (total) | *** | |

1 distinct error(s) and warning(s) reported.

===== End of Conformance Report =====

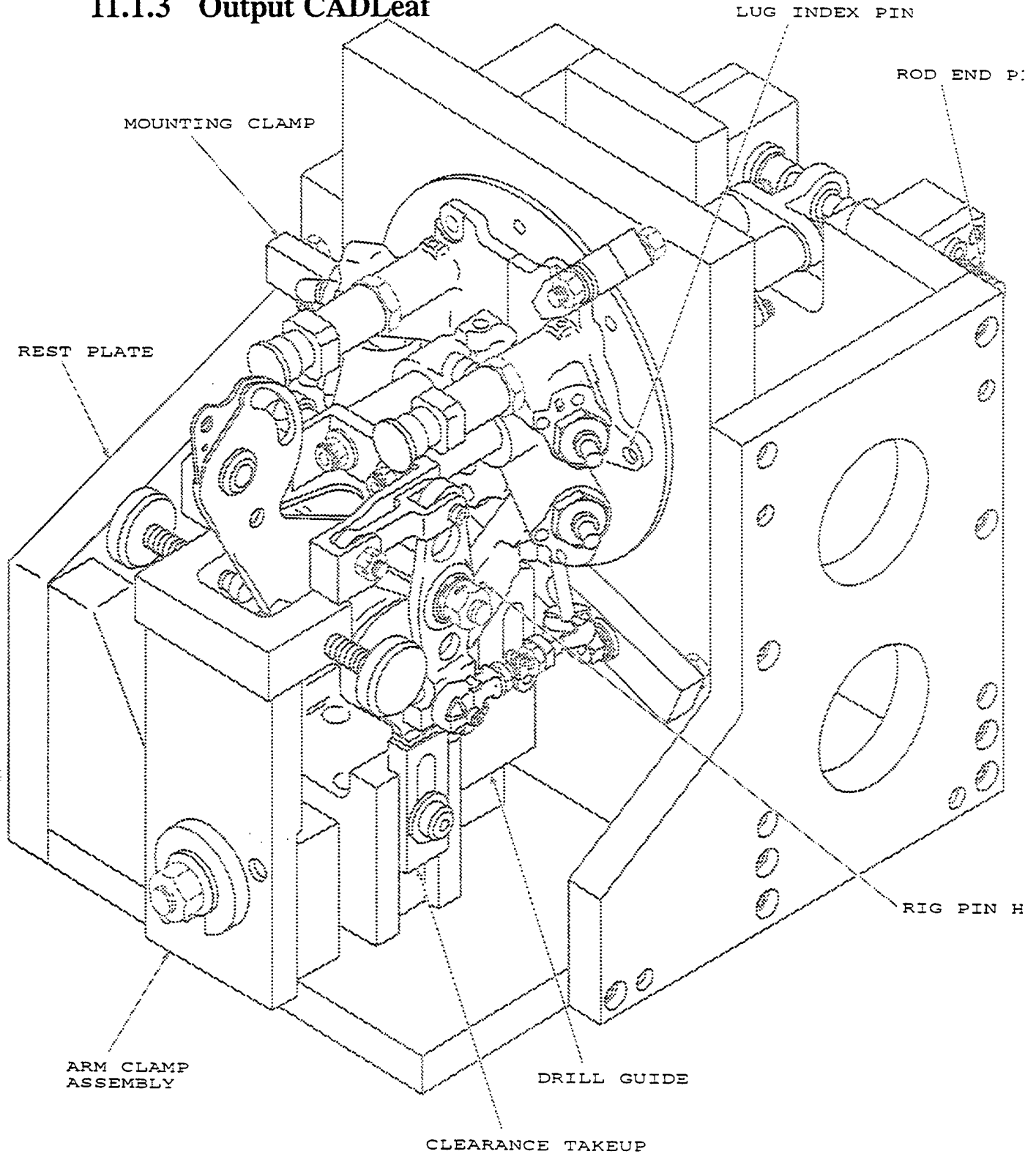
11.1.2 validcgm Log

Analysis for file c004.cgm using table table and Font List

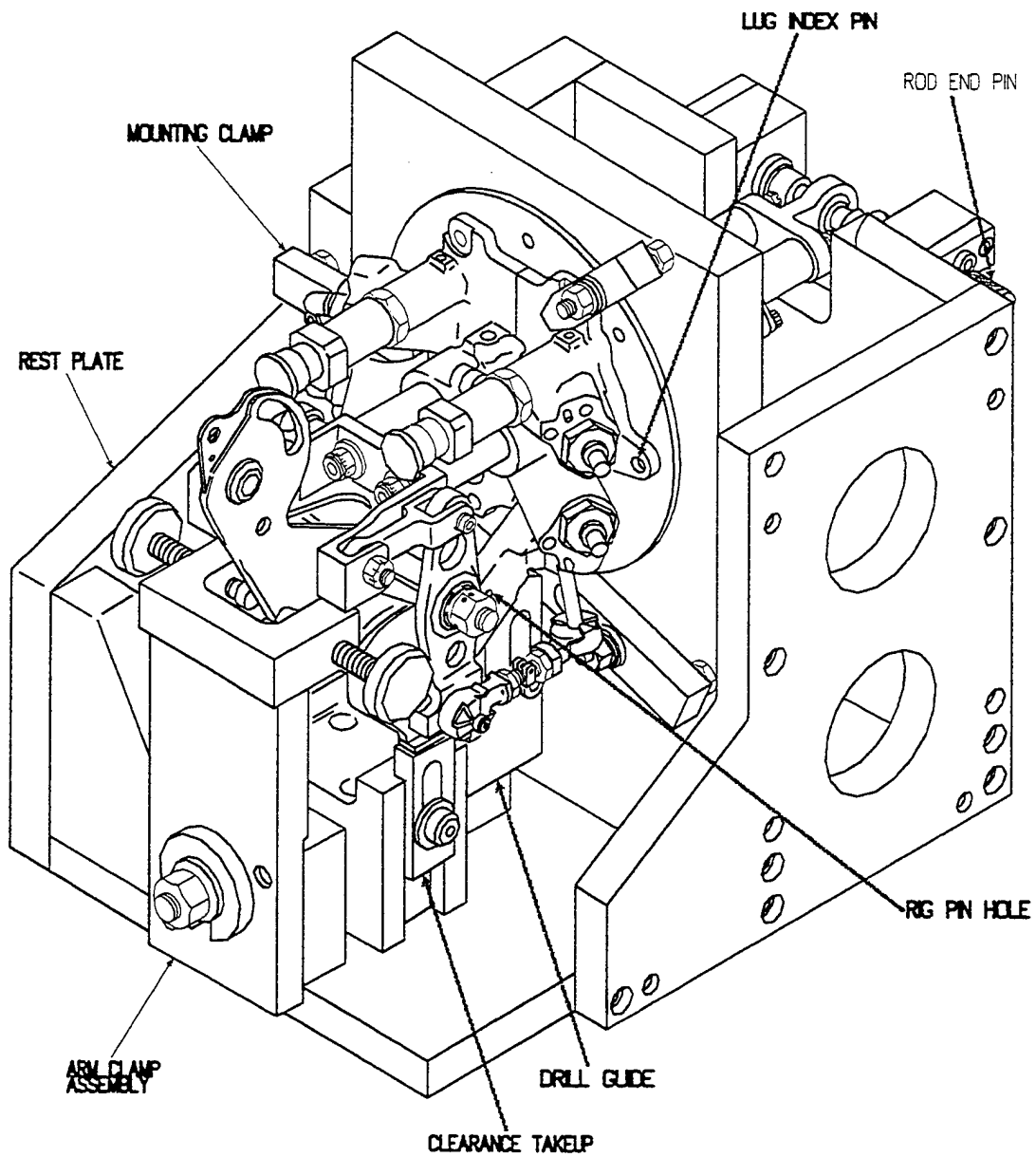
MILSPEC 28003 error: illegal font name HELVETICA
MILSPEC 28003 error: illegal font name HELEVITICA_BOLD
MILSPEC 28003 error: illegal font name FRANKLINGOTHIC-HEAVY
(9, 84) (1, 13, 48)

(0, 1) occurred 1 time
(0, 2) occurred 1 time
(0, 3) occurred 1 time
(0, 4) occurred 1 time
(0, 5) occurred 1 time
(1, 1) occurred 1 time
(1, 2) occurred 1 time
(1, 5) occurred 1 time
(1, 7) occurred 1 time
(1, 8) occurred 1 time
(1, 9) occurred 1 time
(1, 11) occurred 1 time
(1, 13) occurred 1 time
(2, 1) occurred 1 time
(2, 3) occurred 1 time
(2, 4) occurred 1 time
(2, 5) occurred 1 time
(2, 6) occurred 1 time
(2, 7) occurred 1 time
(4, 1) occurred 1061 times
(4, 4) occurred 11 times
(4, 7) occurred 13 times
(4, 15) occurred 20 times
(4, 17) occurred 30 times
(4, 18) occurred 57 times
(5, 2) occurred 2 times
(5, 3) occurred 61 times
(5, 4) occurred 52 times
(5, 10) occurred 3 times
(5, 15) occurred 4 times
(5, 16) occurred 1 time
(5, 18) occurred 1 time
(5, 22) occurred 4 times
(5, 23) occurred 14 times
(5, 28) occurred 3 times
(5, 29) occurred 26 times
(5, 30) occurred 27 times
(5, 34) occurred 35 times

11.1.3 Output CADLeaf

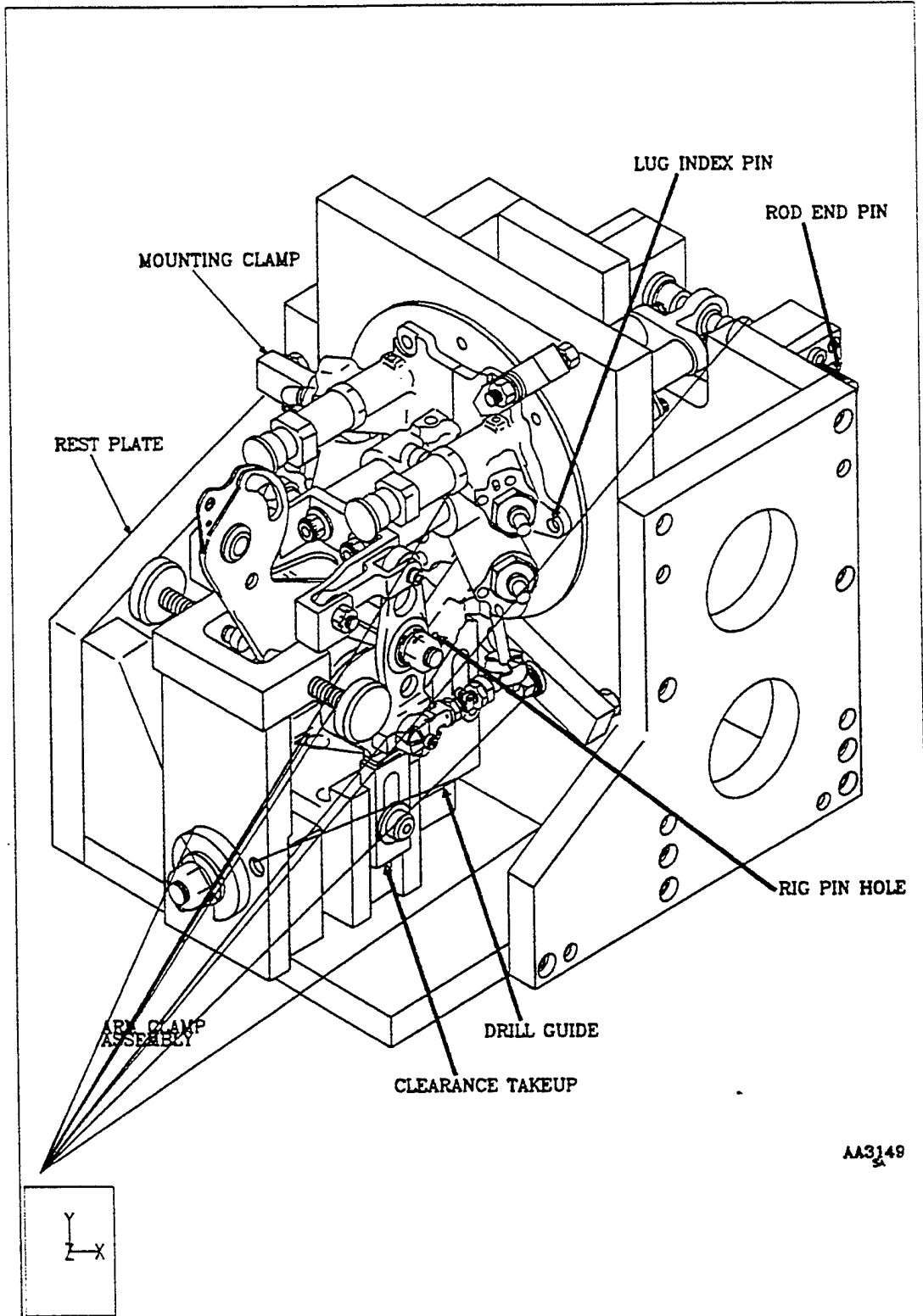


11.1.4 Output CALSView

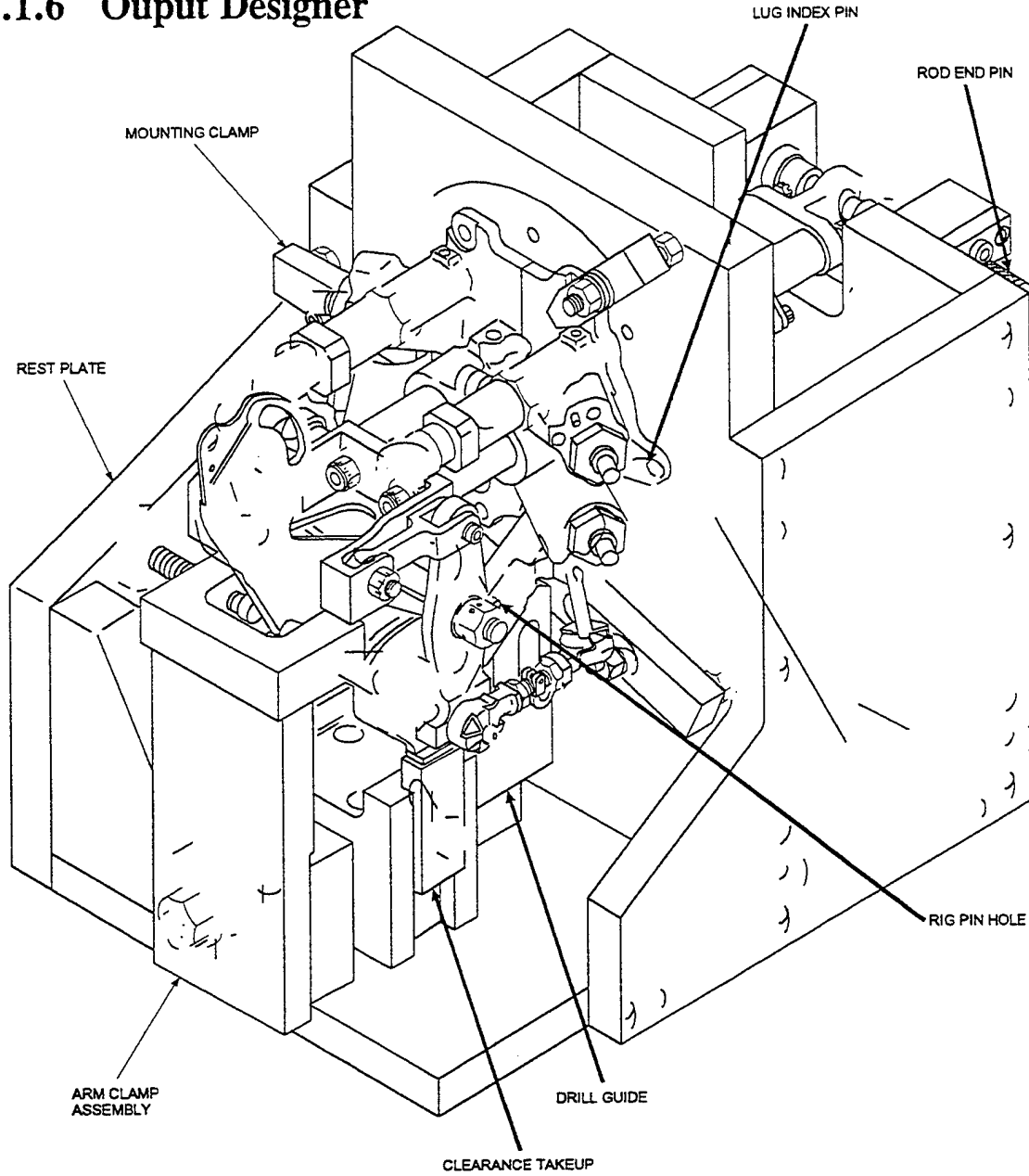


AA3141

11.1.5 Output Generic



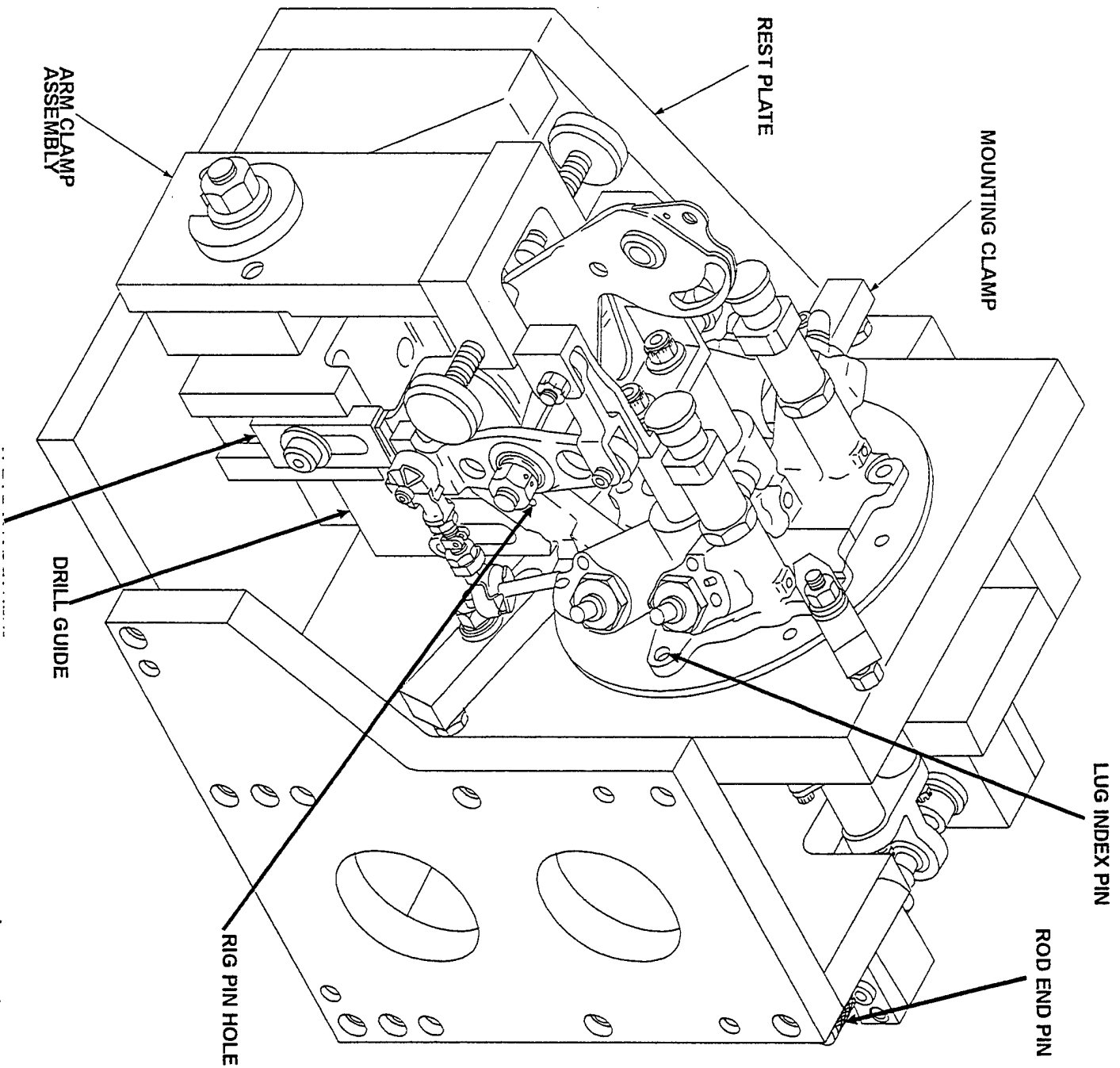
11.1.6 Ouput Designer



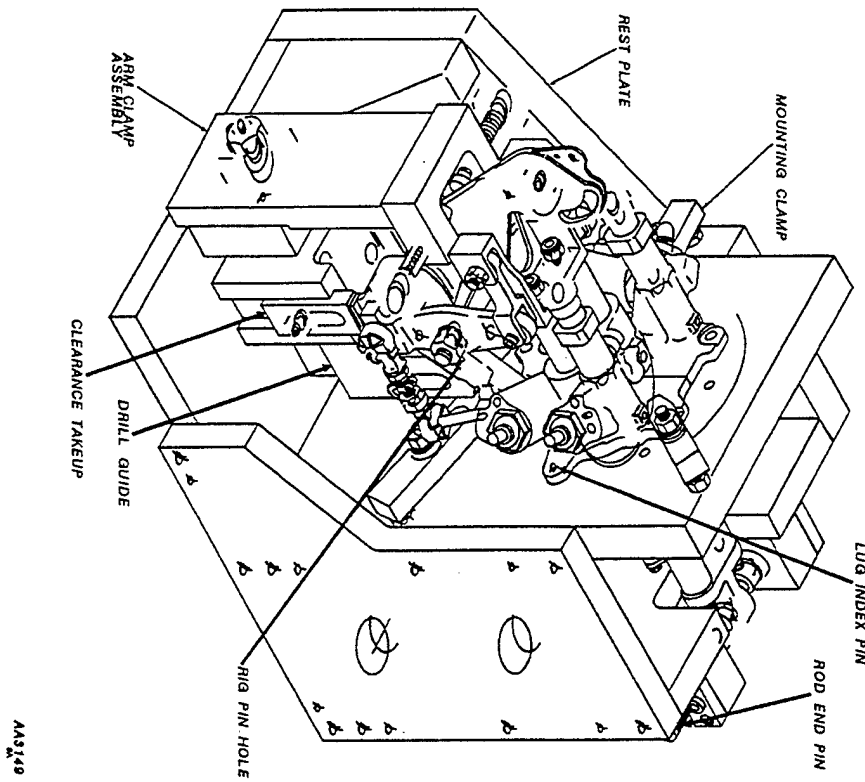
AA3149
SA

Designer 4.0
C004

11.1.7 Output Freelance

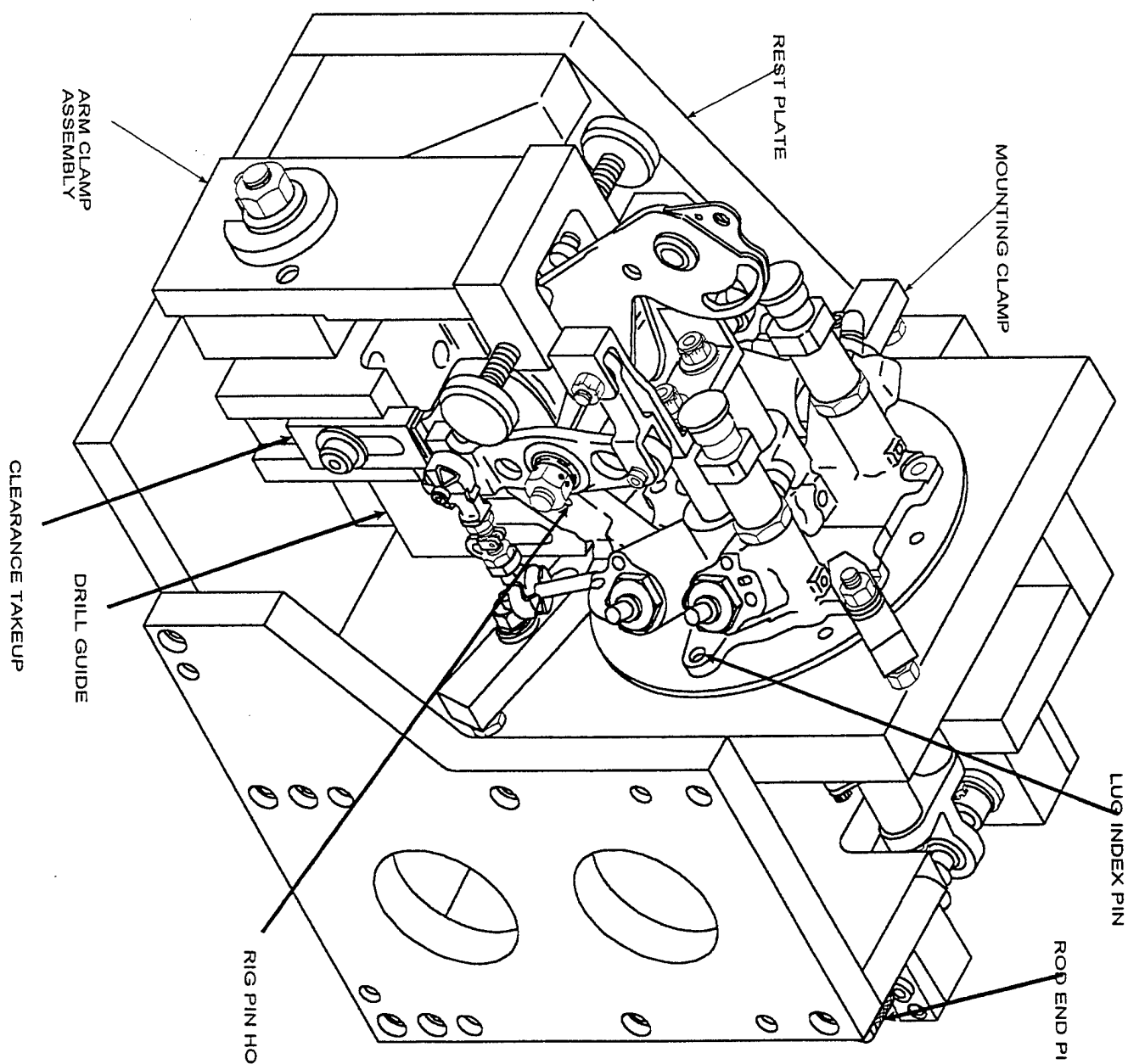


11.1.8 Output Harvard Graphics



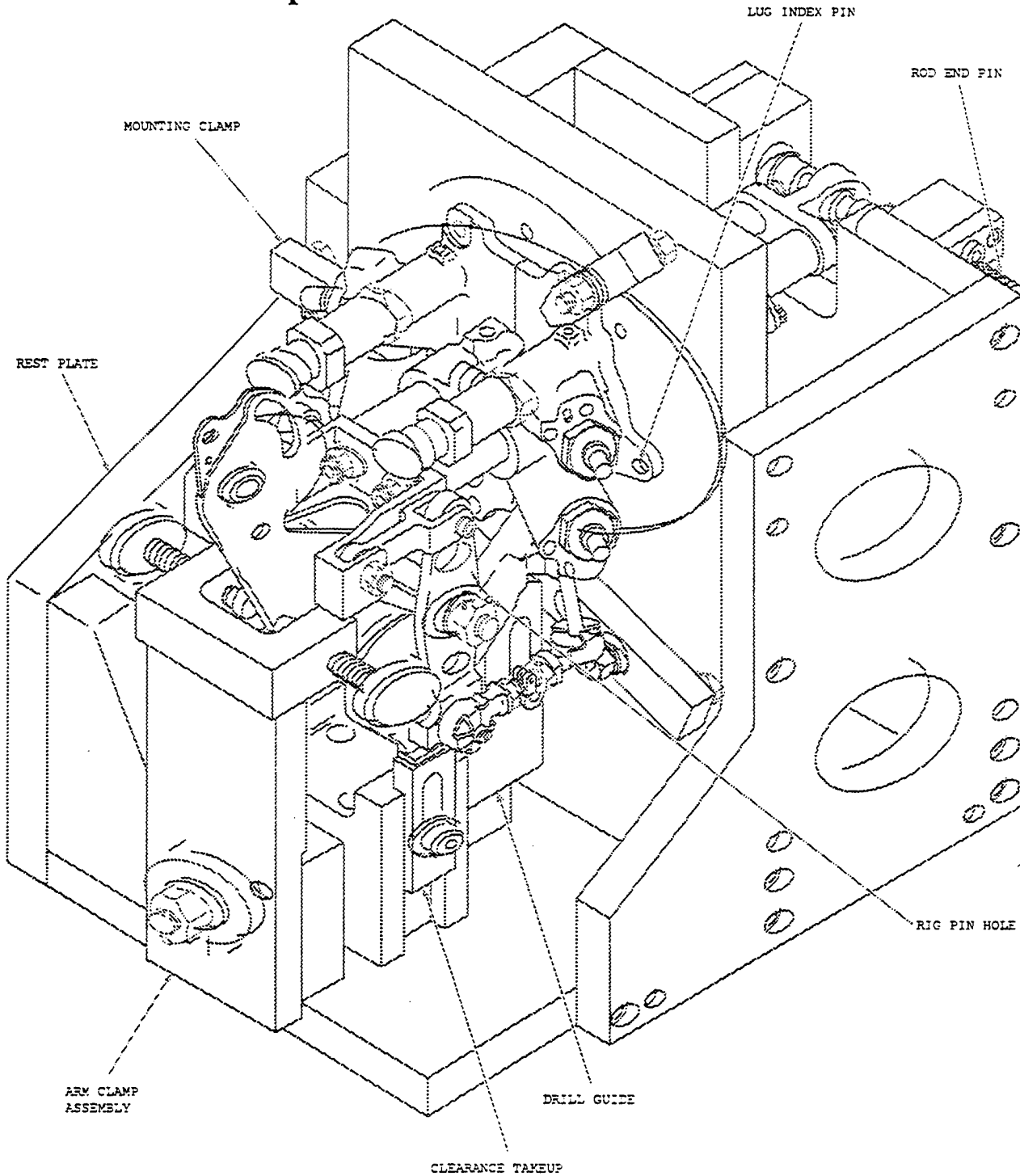
AA318

11.1.9 Output HiJaak for Windows



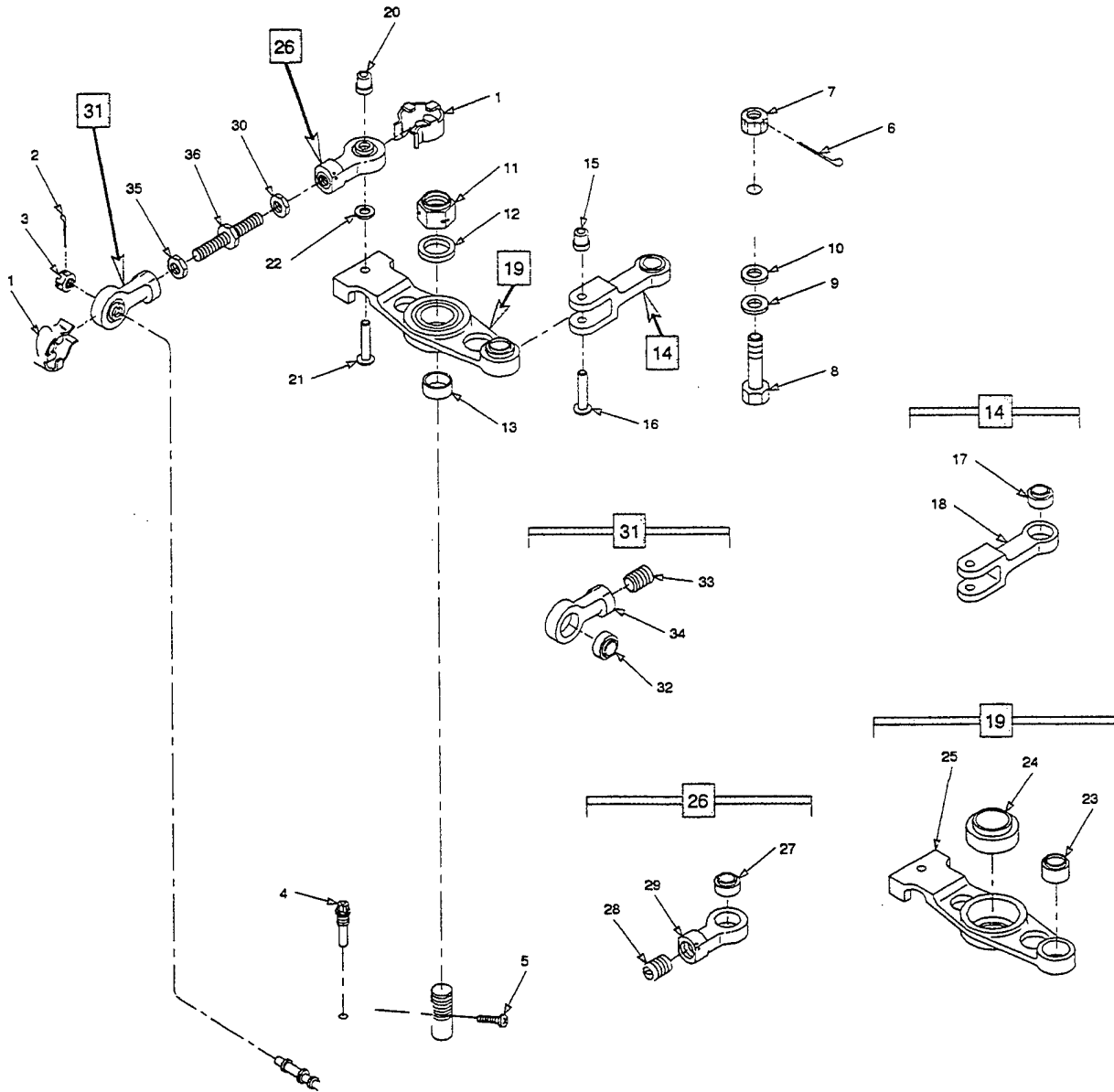
AA3

11.1.10 Output Island Draw 4.0



AA3165

11.1.11 Output Ventura Publisher



11.2 File D001C009

11.2.1 Parser Log MetaCheck

MetaCheck Version 2.10 -- CGM/MIL-D-28003 Conformance Analyzer
Copyright 1988-93 CGM Technology Software
Execution Date: 03/04/94 Time: 15:25:56

Metafile Examined : i:\94009\c009.cgm

Pictures Examined : All
Elements Examined : All
Bytes Examined : All

=====
Trace Report
=====

Tracing not selected.

=====
CGM Conformance Violation Report
=====

No Errors Detected

=====
CALC CGM Profile (MIL-D-28003) Report
=====

Error 6509: Element Class/ID: 1/13 Offset: 84 octets Element No. 9
Invalid list parameters; each of the Font Names in the FONT LIST element
must be among the Font Names allowed by the Profile.

=====
Conformance Summary Report
=====

MetaCheck Version 2.10 -- CGM/MIL-D-28003 Conformance Analyzer
Copyright 1988-93 CGM Technology Software
Execution Date: 03/04/94 Time: 15:30:50

Name of CGM under test: i:\94009\c009.cgm
Encoding : Binary

Pictures Examined : All
Elements Examined : All
Bytes Examined : All

BEGIN METAFILE string : >aa3150<
METAFILE DESCRIPTION : >AUTO-TROL/REL-1.0 MIL-D-28003/BASIC-<
>1<

Picture 1 starts at octet offset 136: >aa3150<

Conformance Summary : This file conforms to the CGM specification.
However, this file does not satisfy
the CALS CGM Profile (MIL-D-28003).

Summary of Testing Performed and Errors Found:

1 Pictures Tested
1462 Elements Tested
32234 Octets Tested

| | | |
|--|--------|------|
| 0 Illegal CGM Elements | 1000 - | 1999 |
| 0 Incorrect CGM Element Lengths | 2000 - | 2999 |
| 0 CGM State Errors | 3000 - | 3499 |
| 0 Required CGM Elements Missing or Wrong | 4000 - | 4499 |
| 0 CGM Parameter Values Out of Range | 6000 - | 6499 |
| 0 CGM Structure Errors | 7000 - | 7499 |
| 0 *** CGM Errors Found (total) | *** | |

| | | |
|---|--------|------|
| 0 Profile State Errors | 3500 - | 3999 |
| 0 Illegal Profile Elements | 4500 - | 4999 |
| 1 Profile Parameter Values Out of Range | 6500 - | 6999 |
| 0 Profile Data Limits Exceeded | 8500 - | 8999 |
| 0 Other Profile Constraints Violated | 9500 - | 9999 |
| 1 *** Profile Violations Found (total) | *** | |

1 distinct error(s) and warning(s) reported.

===== End of Conformance Report =====

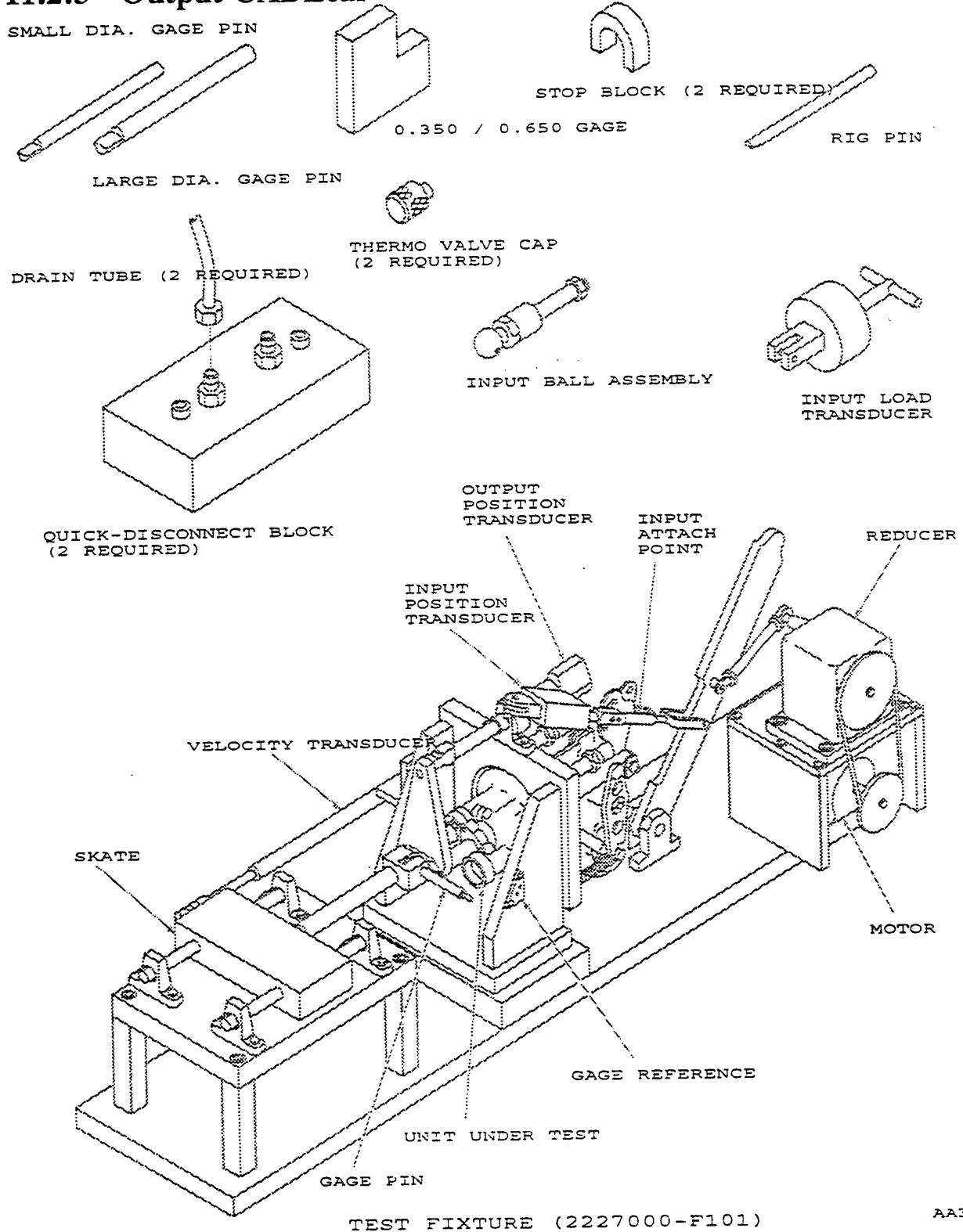
11.2.2 validcgm Log

Analysis for file c009.cgm using table table and Font List

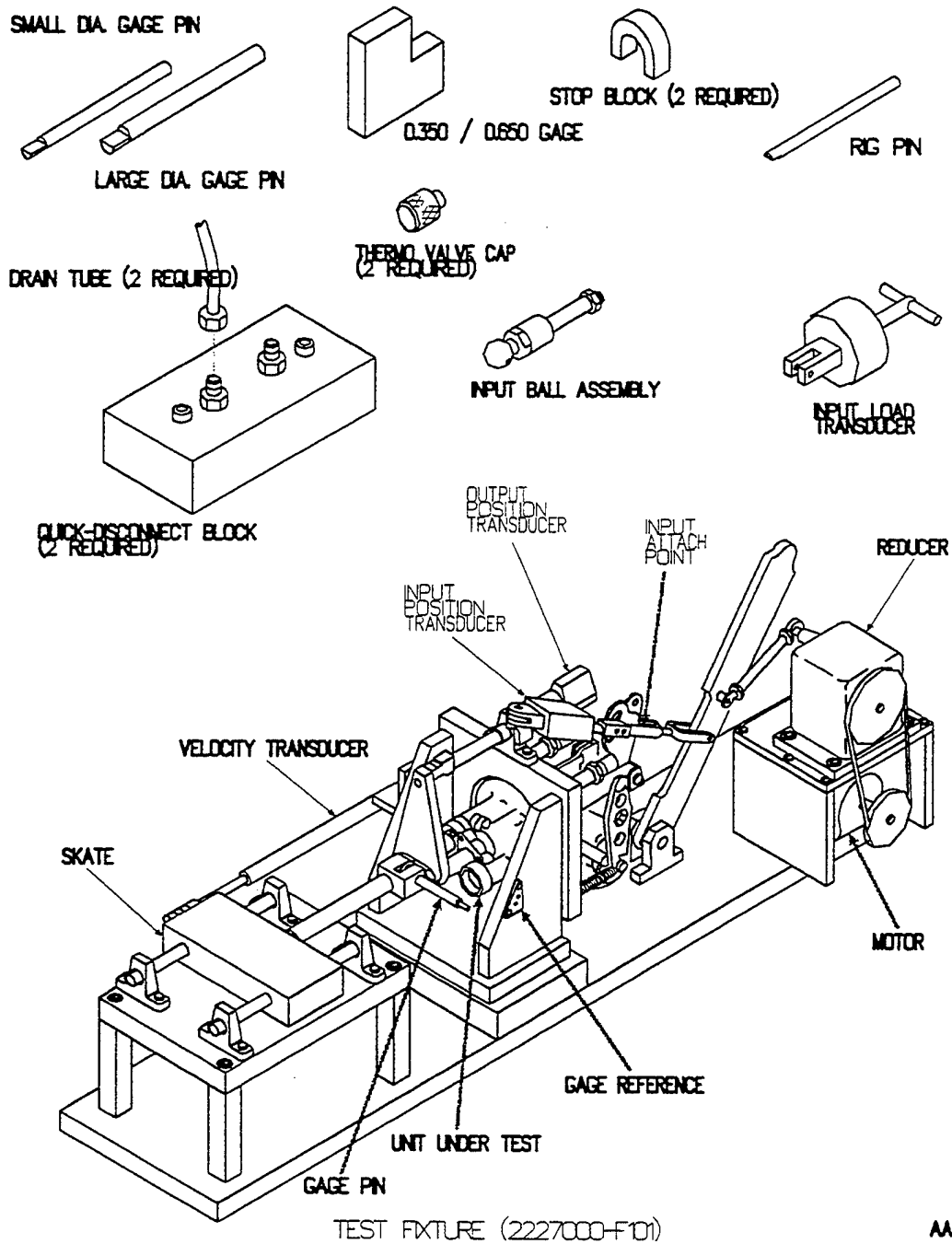
MILSPEC 28003 error: illegal font name HELVETICA
MILSPEC 28003 error: illegal font name HELEVITICA_BOLD
MILSPEC 28003 error: illegal font name FRANKLINGOTHIC-HEAVY
(9, 84) (1, 13, 48)

(0, 1) occurred 1 time
(0, 2) occurred 1 time
(0, 3) occurred 1 time
(0, 4) occurred 1 time
(0, 5) occurred 1 time
(1, 1) occurred 1 time
(1, 2) occurred 1 time
(1, 5) occurred 1 time
(1, 7) occurred 1 time
(1, 8) occurred 1 time
(1, 9) occurred 1 time
(1, 11) occurred 1 time
(1, 13) occurred 1 time
(2, 1) occurred 1 time
(2, 3) occurred 1 time
(2, 4) occurred 1 time
(2, 5) occurred 1 time
(2, 6) occurred 1 time
(2, 7) occurred 1 time
(4, 1) occurred 1123 times
(4, 4) occurred 32 times
(4, 7) occurred 18 times
(4, 12) occurred 1 time
(4, 15) occurred 95 times
(4, 17) occurred 19 times
(4, 18) occurred 7 times
(5, 3) occurred 15 times
(5, 4) occurred 10 times
(5, 10) occurred 3 times
(5, 13) occurred 2 times
(5, 15) occurred 5 times
(5, 16) occurred 1 time
(5, 18) occurred 1 time
(5, 22) occurred 7 times
(5, 23) occurred 15 times
(5, 28) occurred 2 times
(5, 29) occurred 15 times
(5, 30) occurred 37 times
(5, 34) occurred 35 times

11.2.3 Output CADLeaf

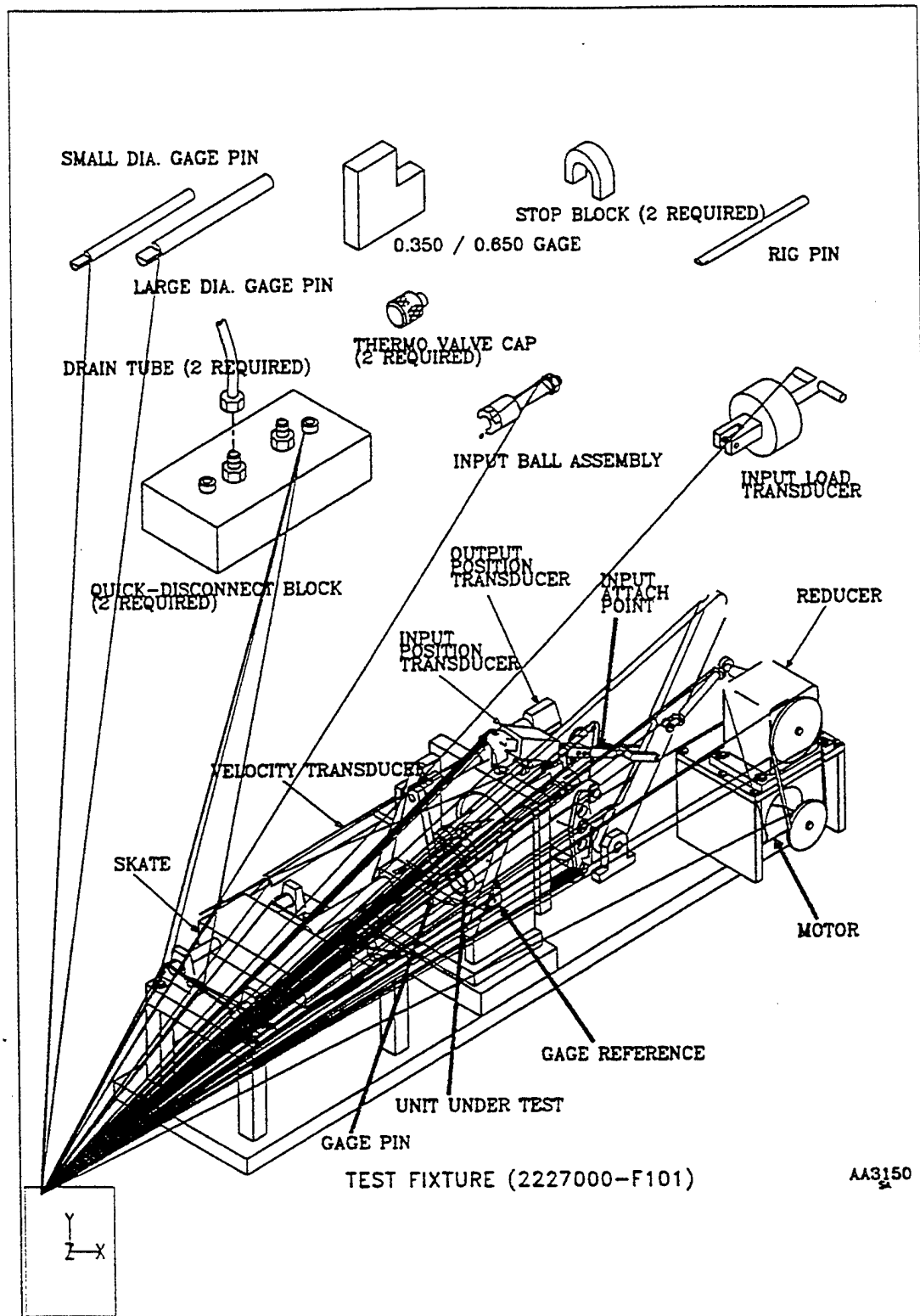


11.2.4 Output CALSView

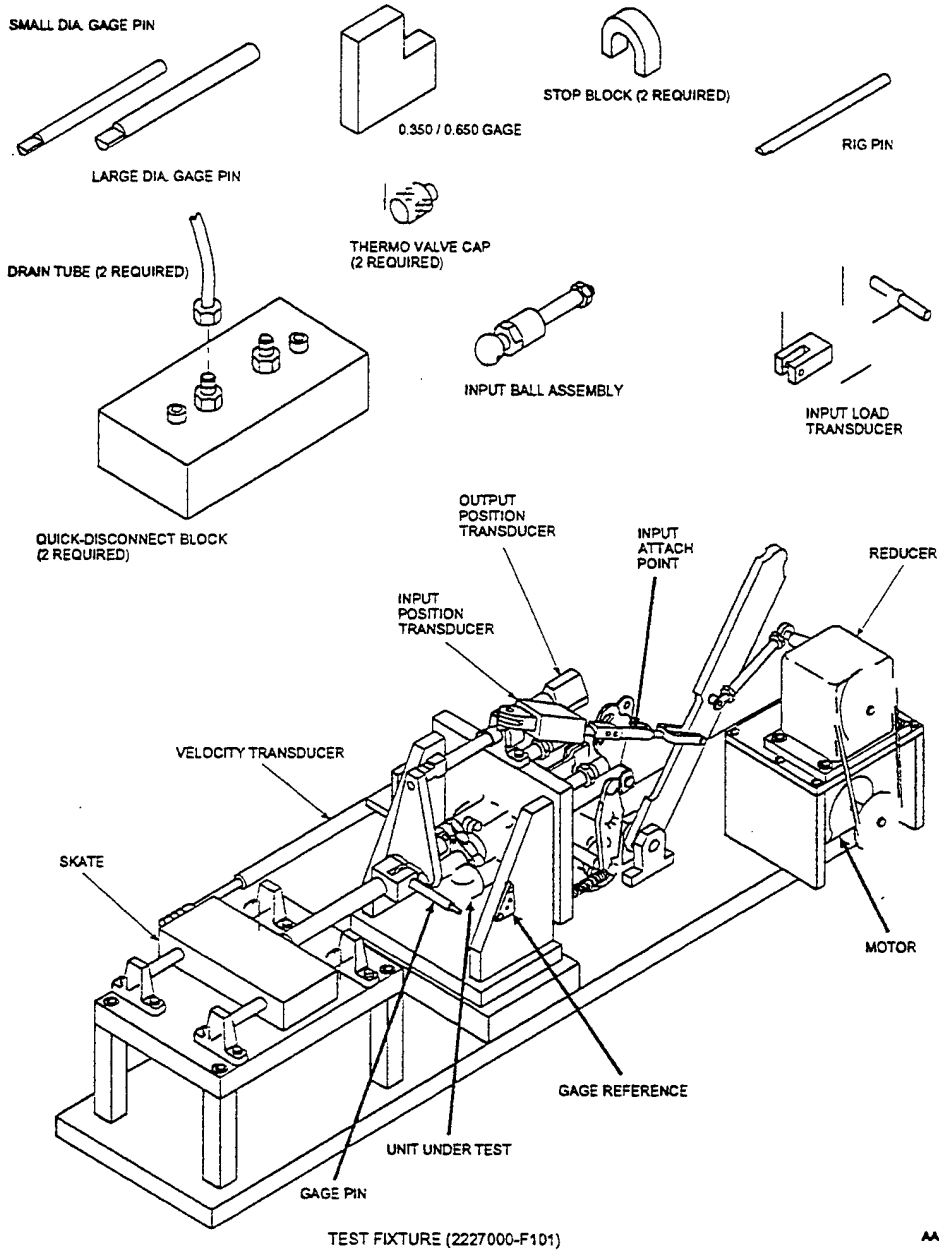


AA3EX

11.2.5 Output Generic



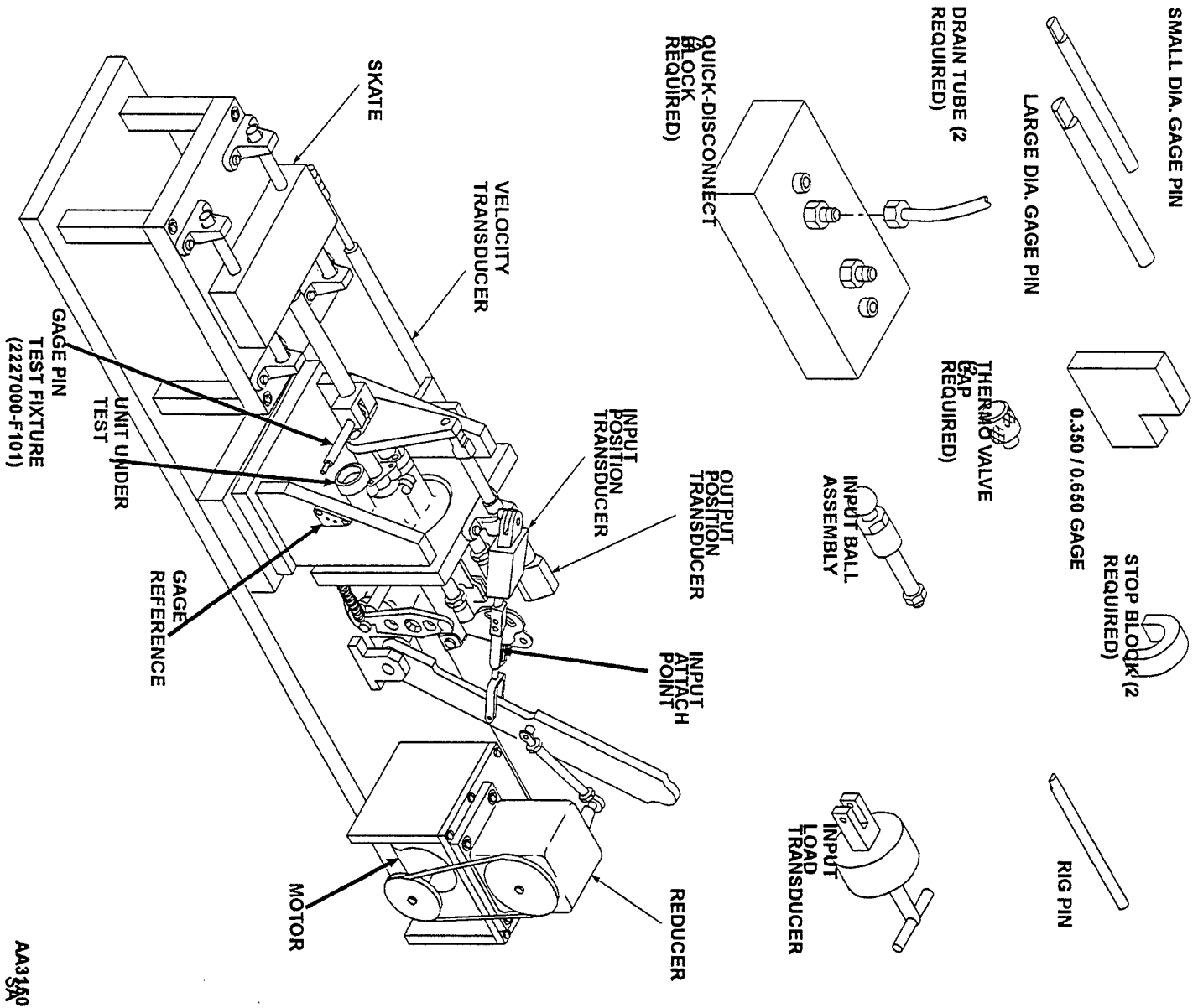
11.2.6 Ouput Designer



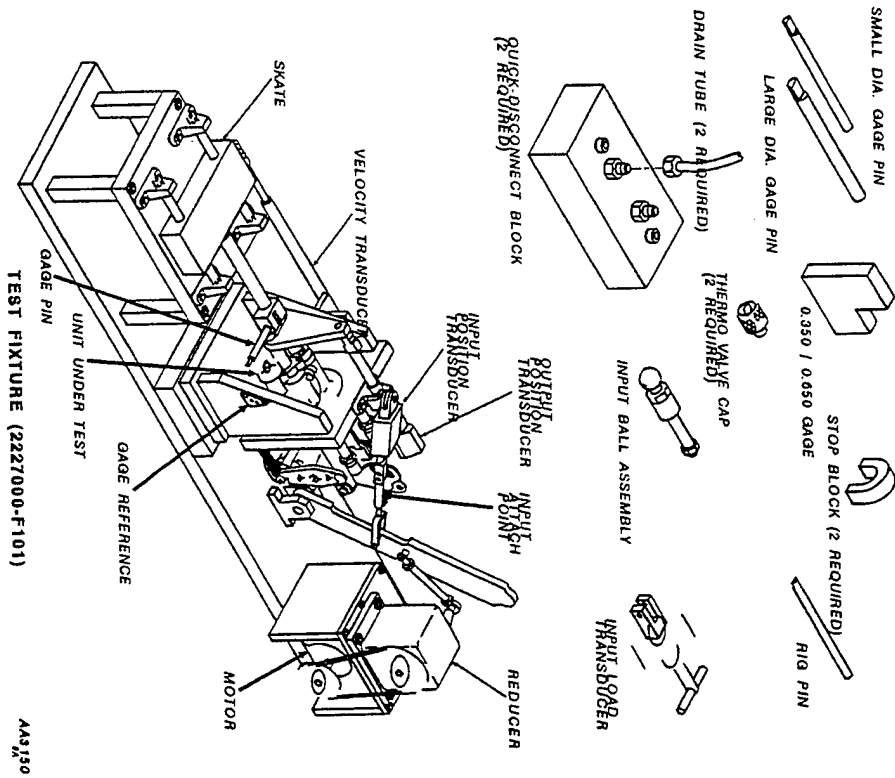
Designer 4.0

C009

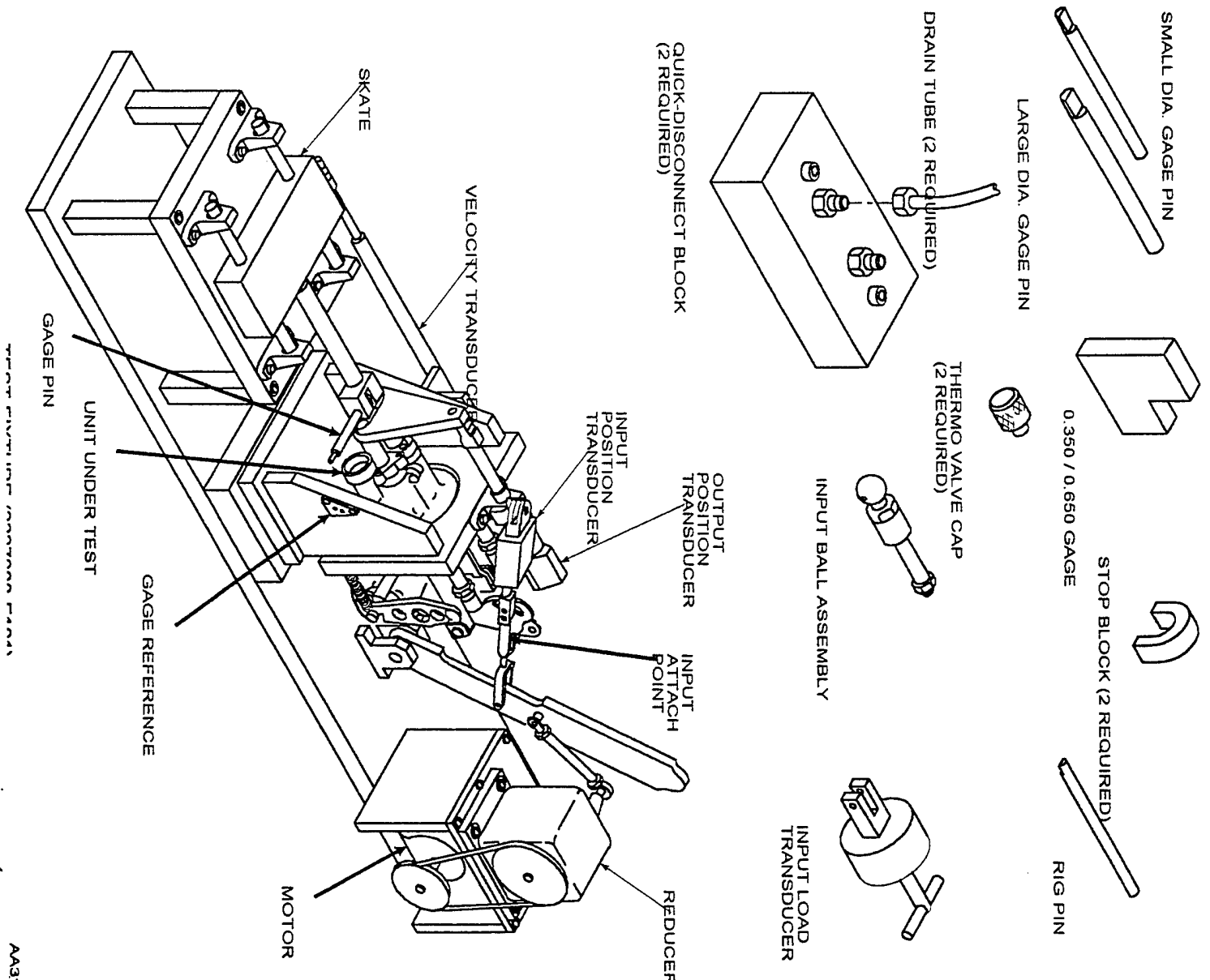
11.2.7 Output Freelance



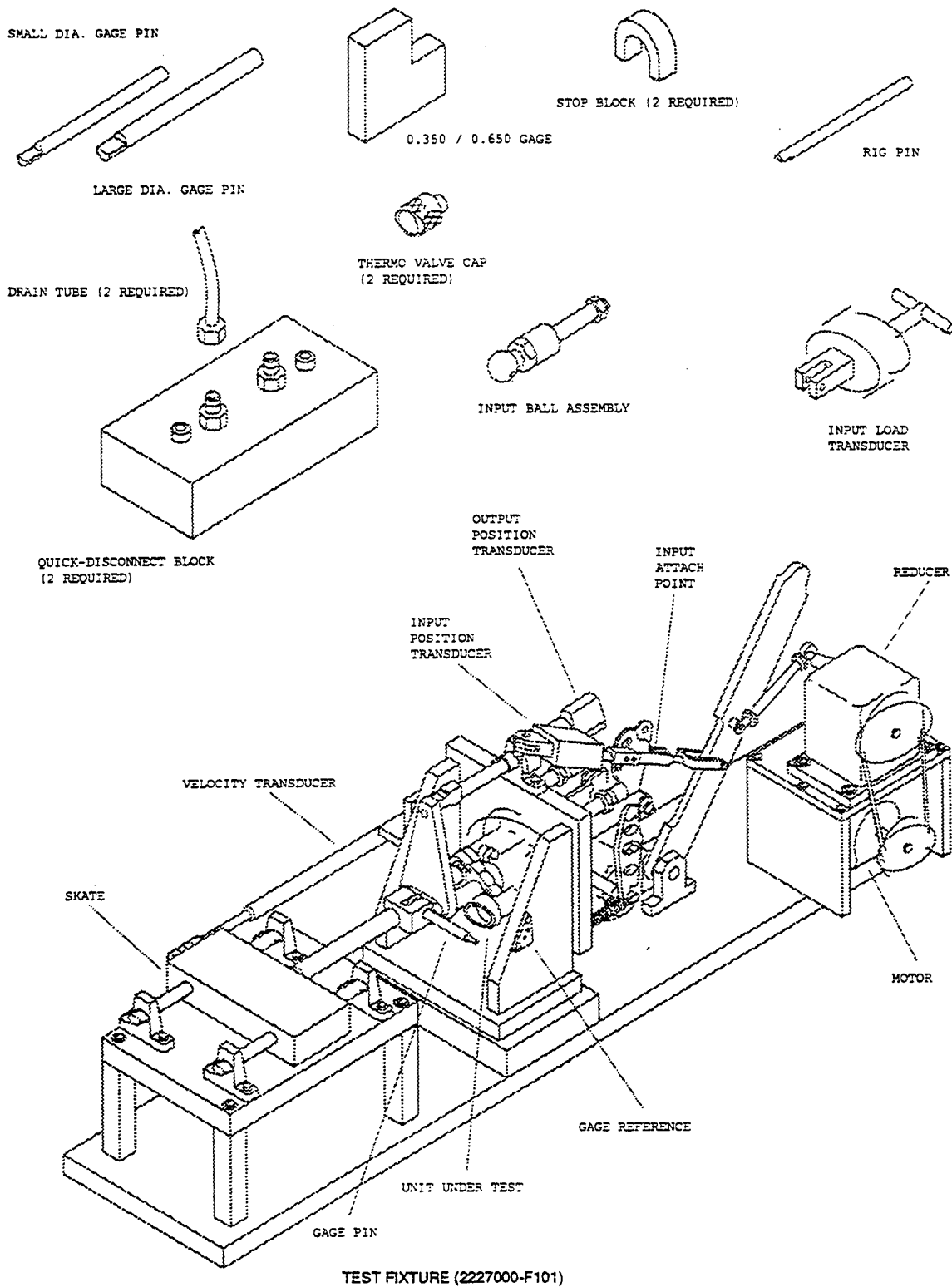
11.2.8 Output Harvard Graphics



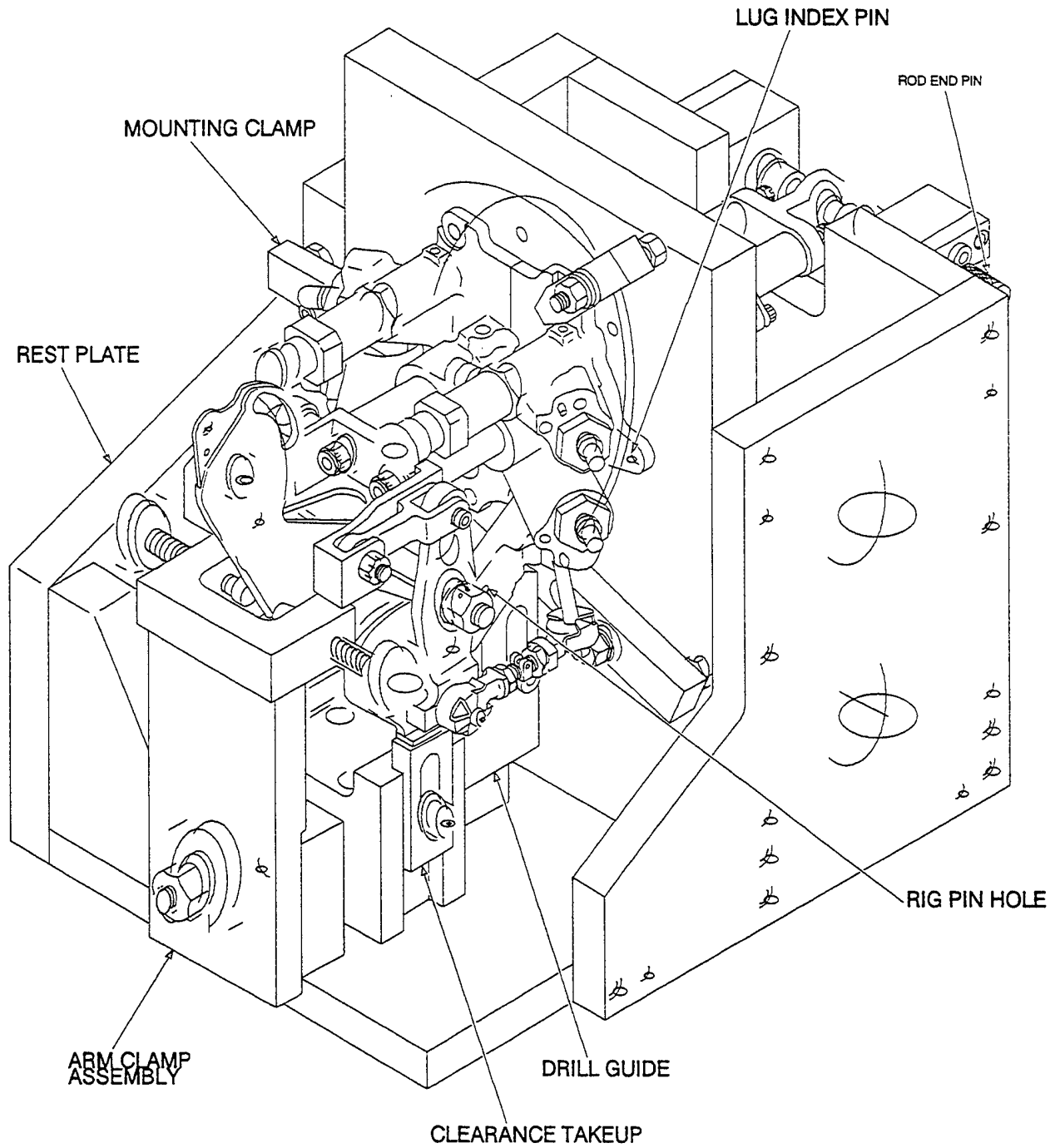
11.2.9 Output HiJaak for Windows



11.2.10 Output IslandDraw 4.0



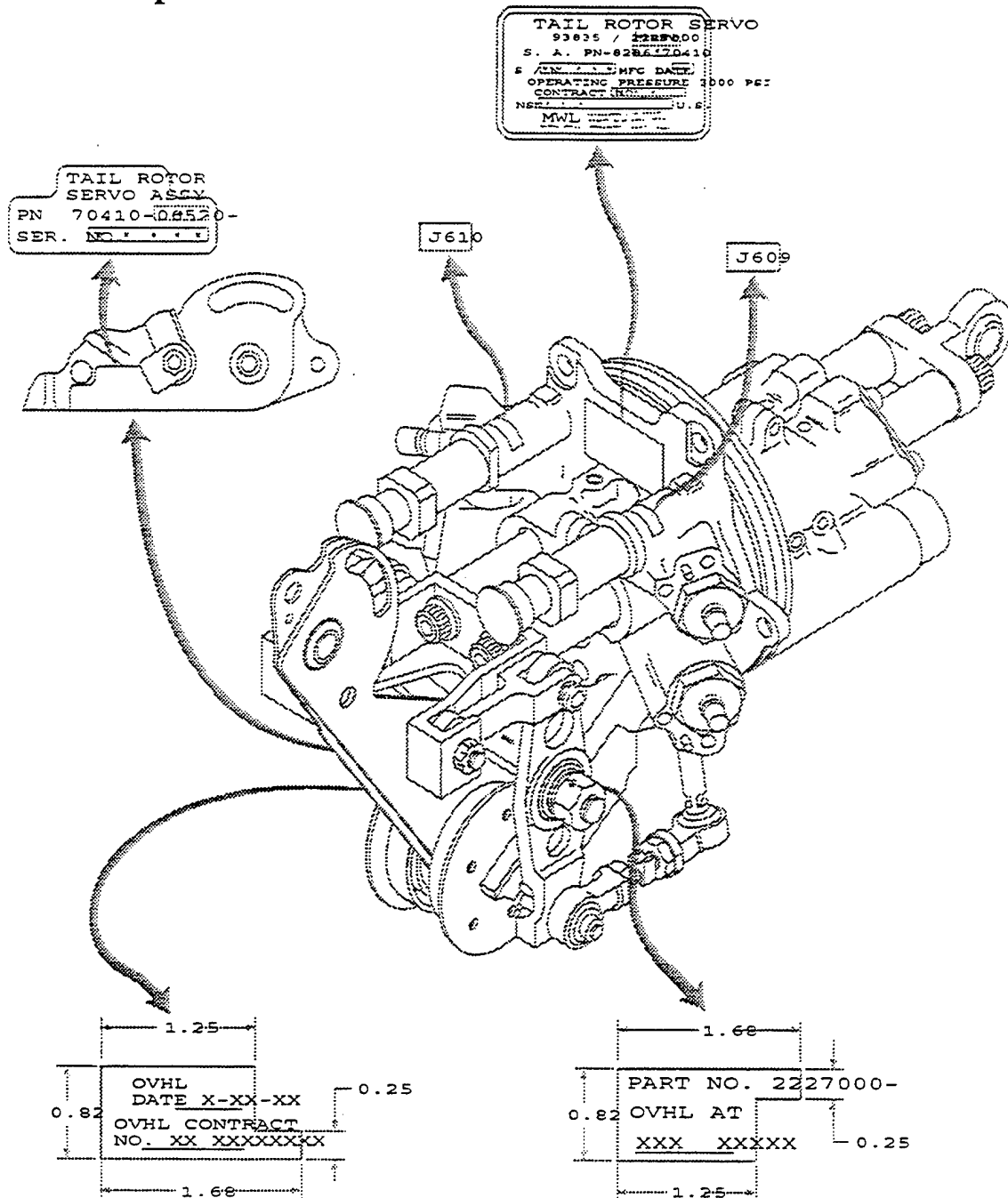
11.2.11 Output Ventura Publisher



AA3149

11.3 File D001C018

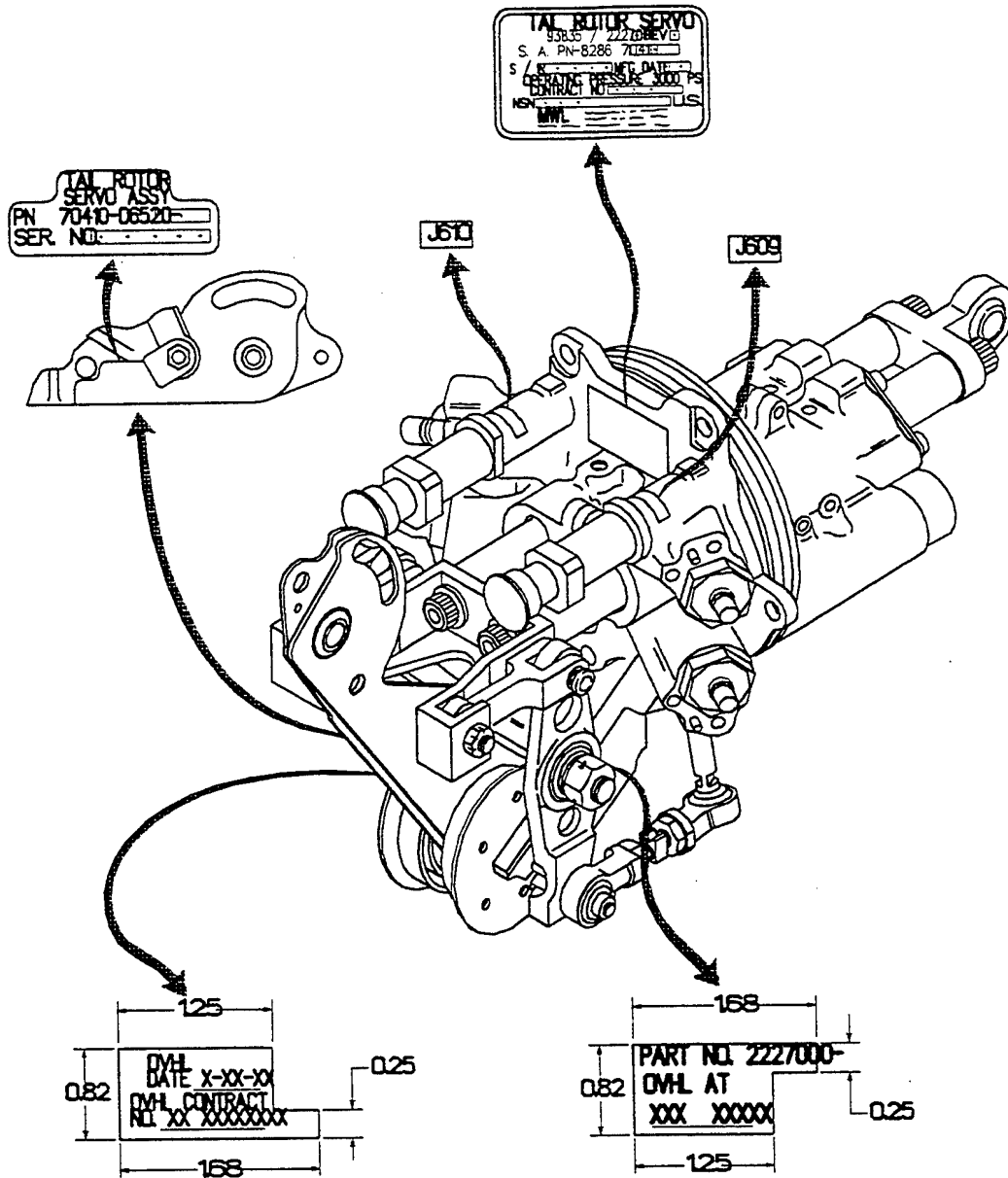
11.3.1 Output CADLeaf



NOTE

ALL DIMENSIONS ARE IN INCHES.

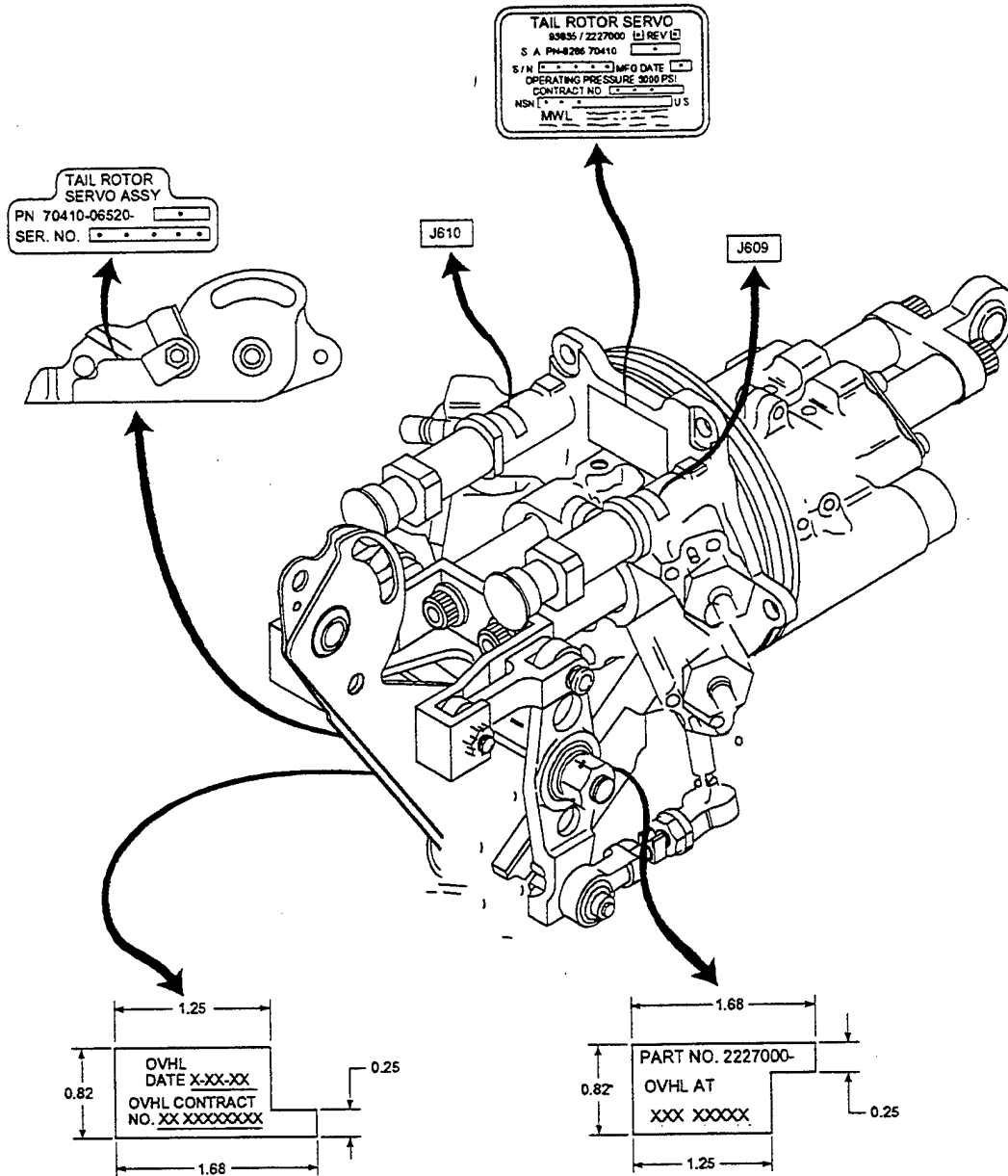
11.3.2 Output CALSView



NOTE
ALL DIMENSIONS ARE IN INCHES.

AA307

11.3.4 Output Designer



NOTE
ALL DIMENSIONS ARE IN INCHES.

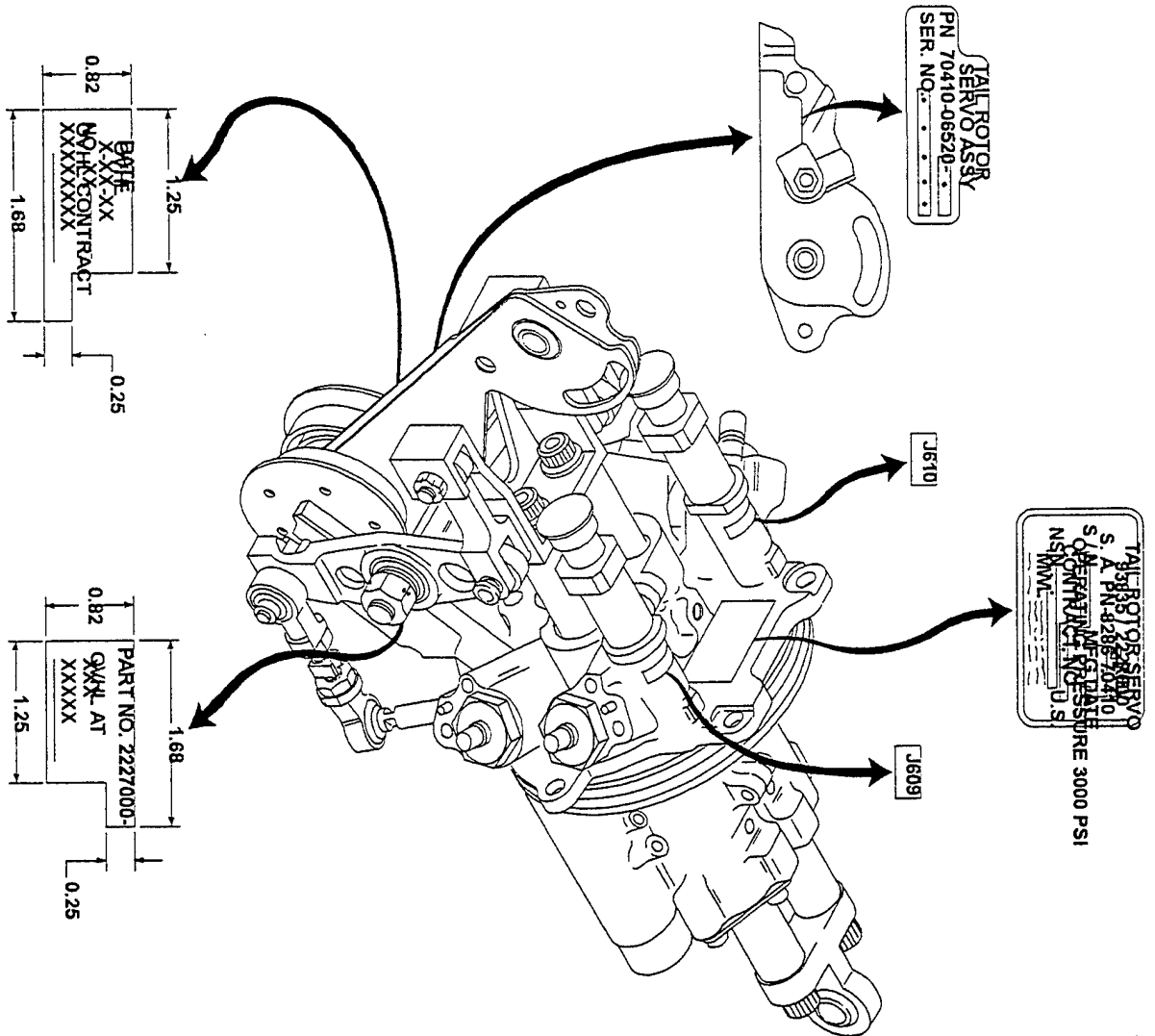
AA3079
SA

Designer 4.0

C018

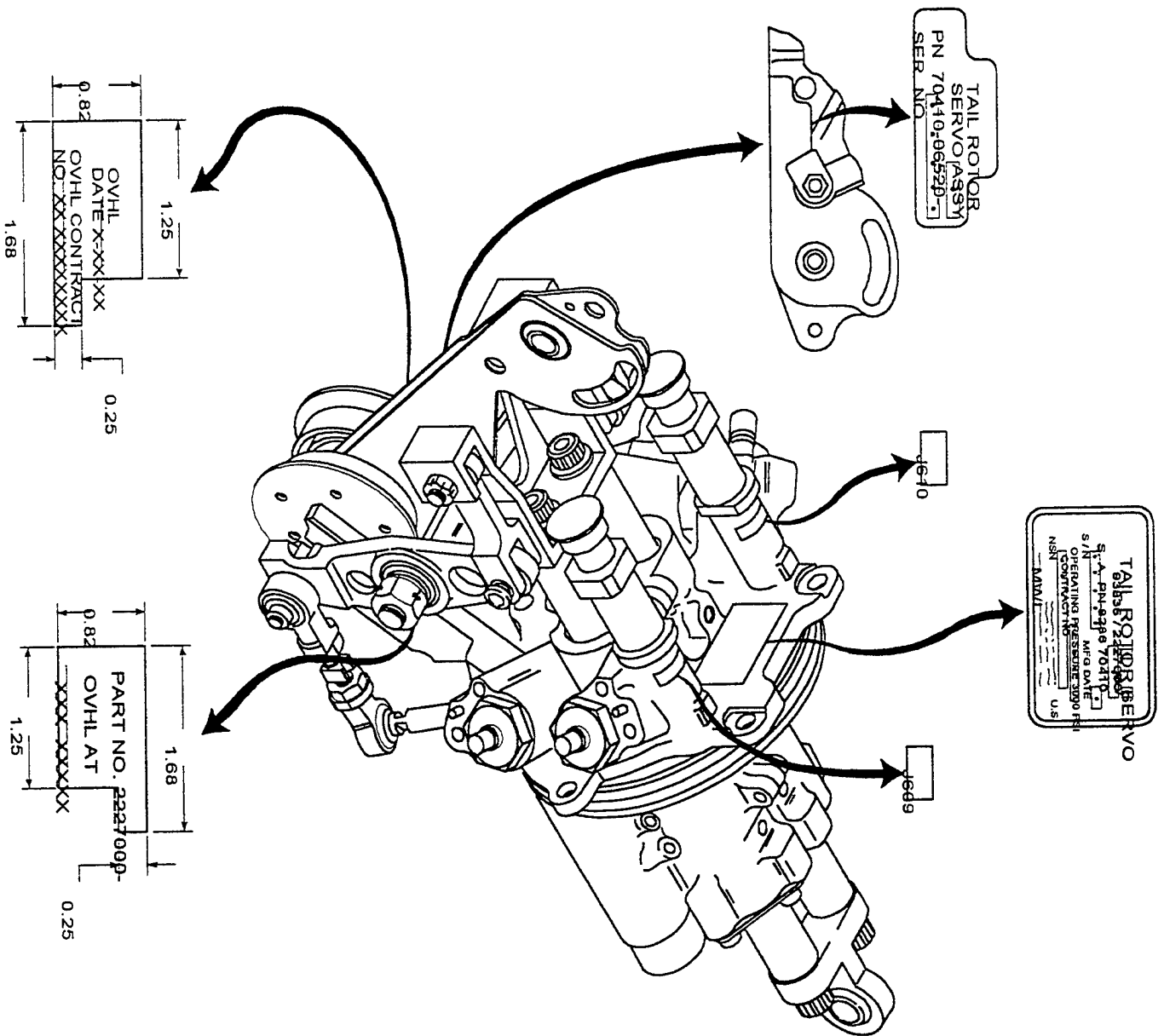
11.3.5 Output Freeland

NOTE
ALL DIMENSIONS ARE IN INCHES.



AA3G79

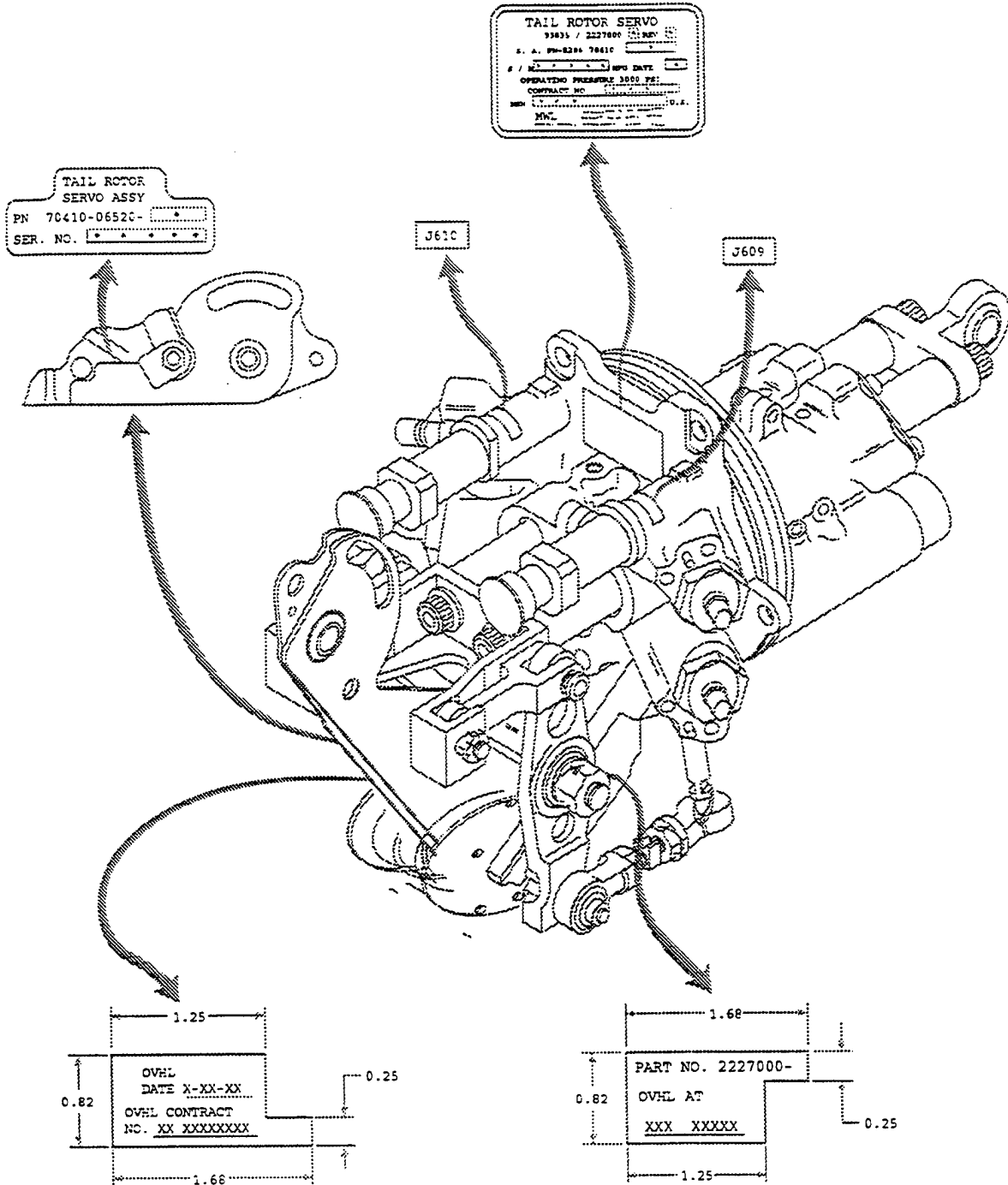
11.3.7 Output HiJaak for Windows



NOTE
ALL DIMENSIONS ARE IN INCHES.

AA3J

11.3.8 Output Island Draw 4.0

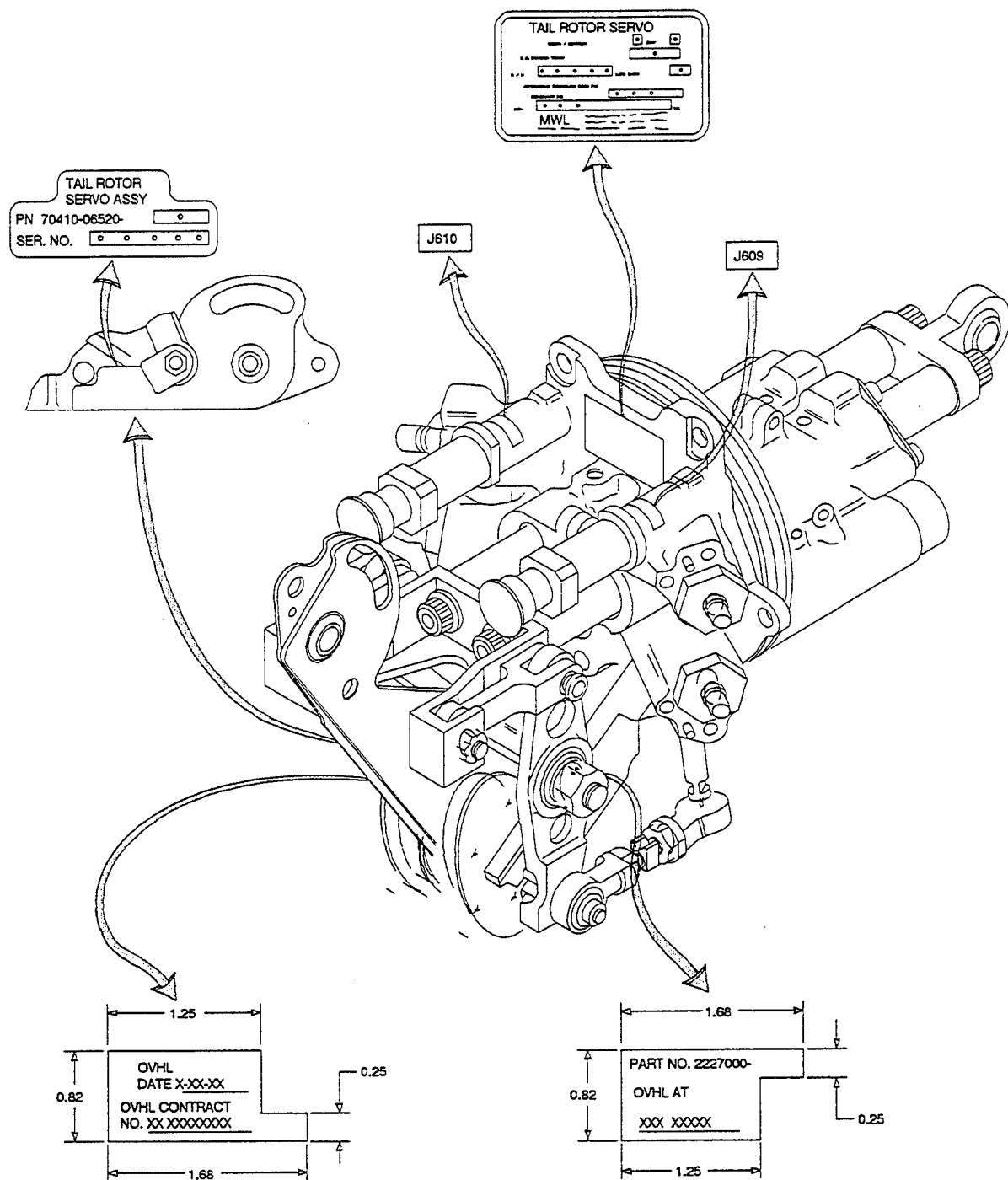


NOTE

ALL DIMENSIONS ARE IN INCHES.

AA3079

11.3.9 Output Ventura Publisher

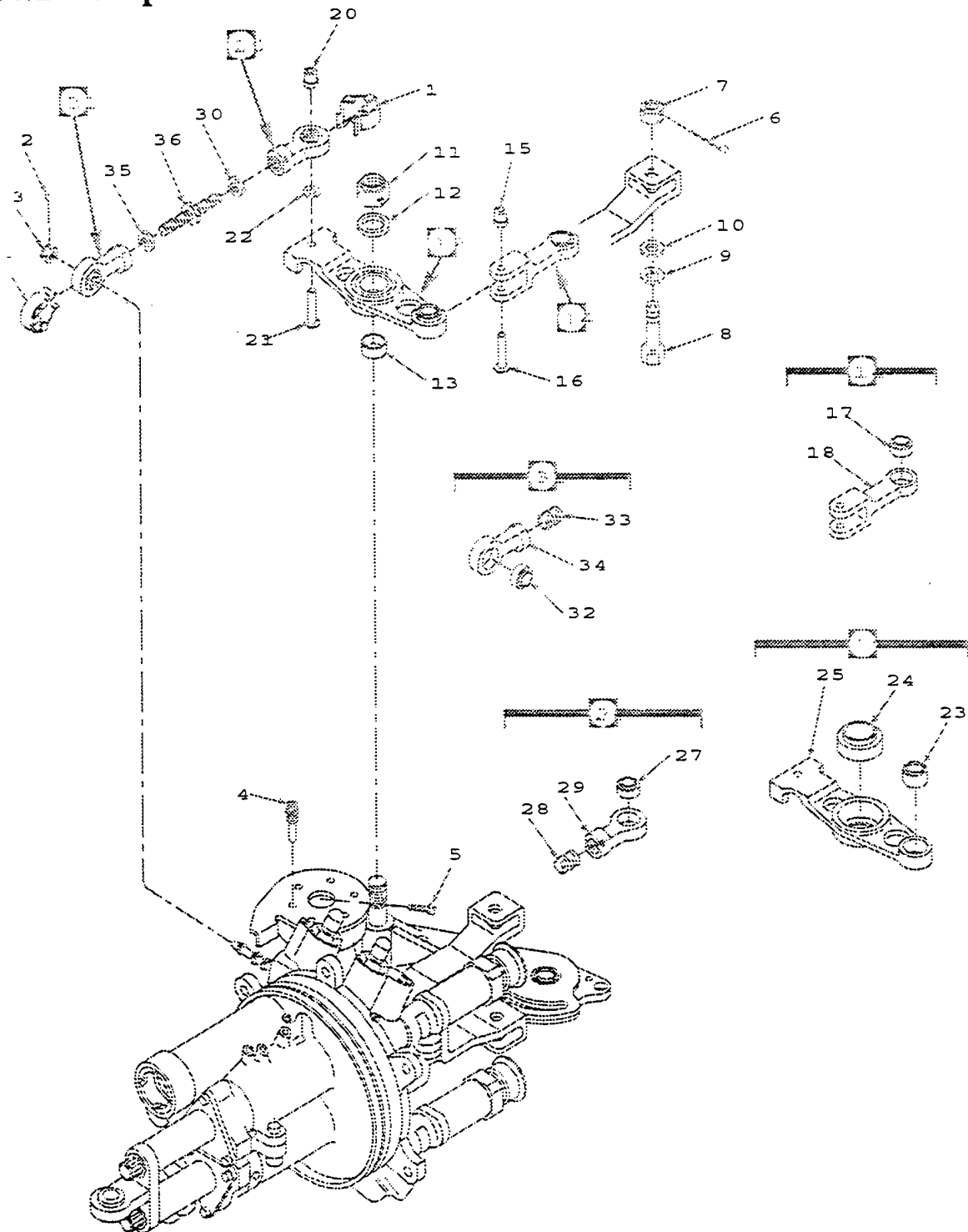


NOTE
ALL DIMENSIONS ARE IN INCHES.

AA3079

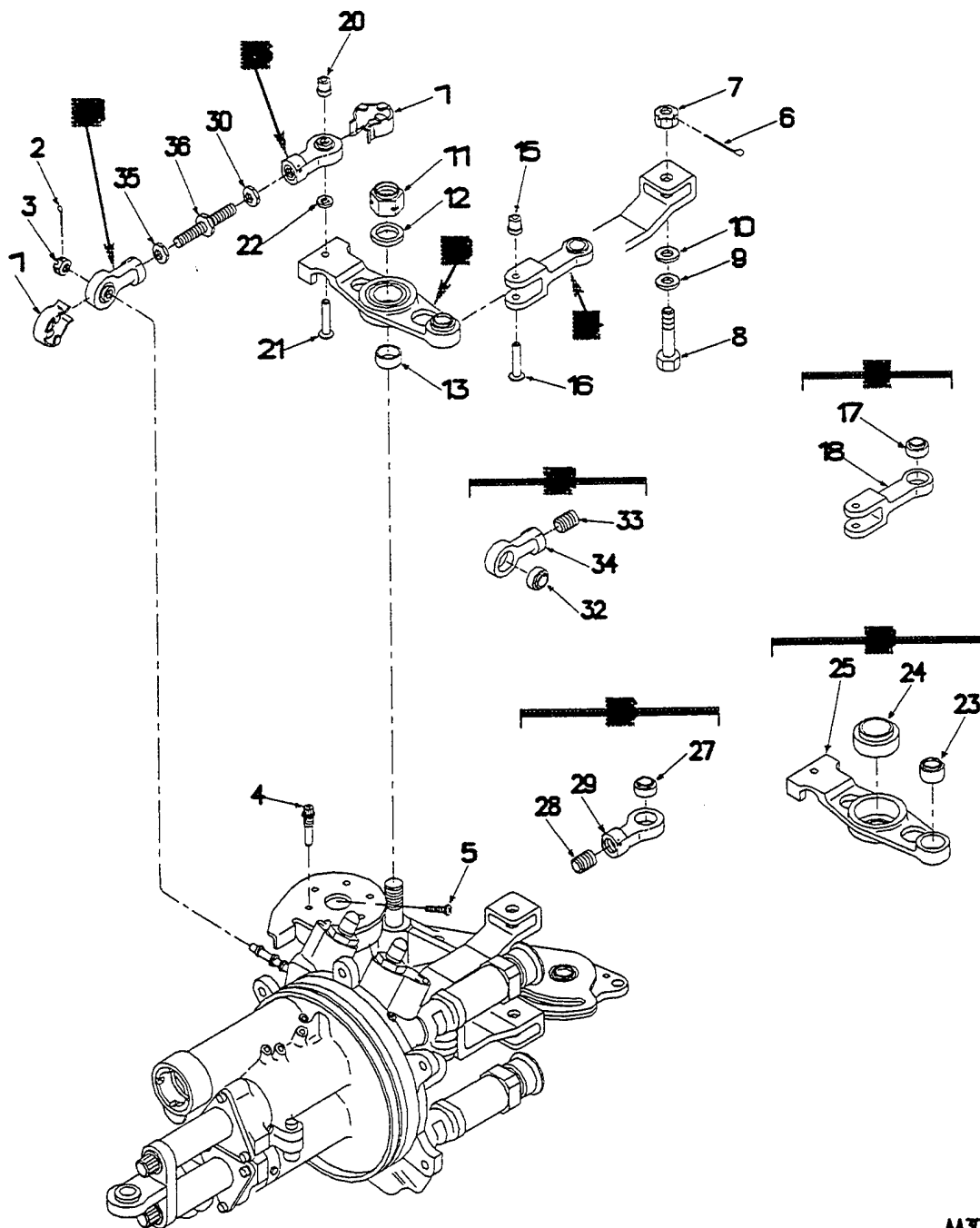
11.4 File D001C031

11.4.1 Output CADLeaf



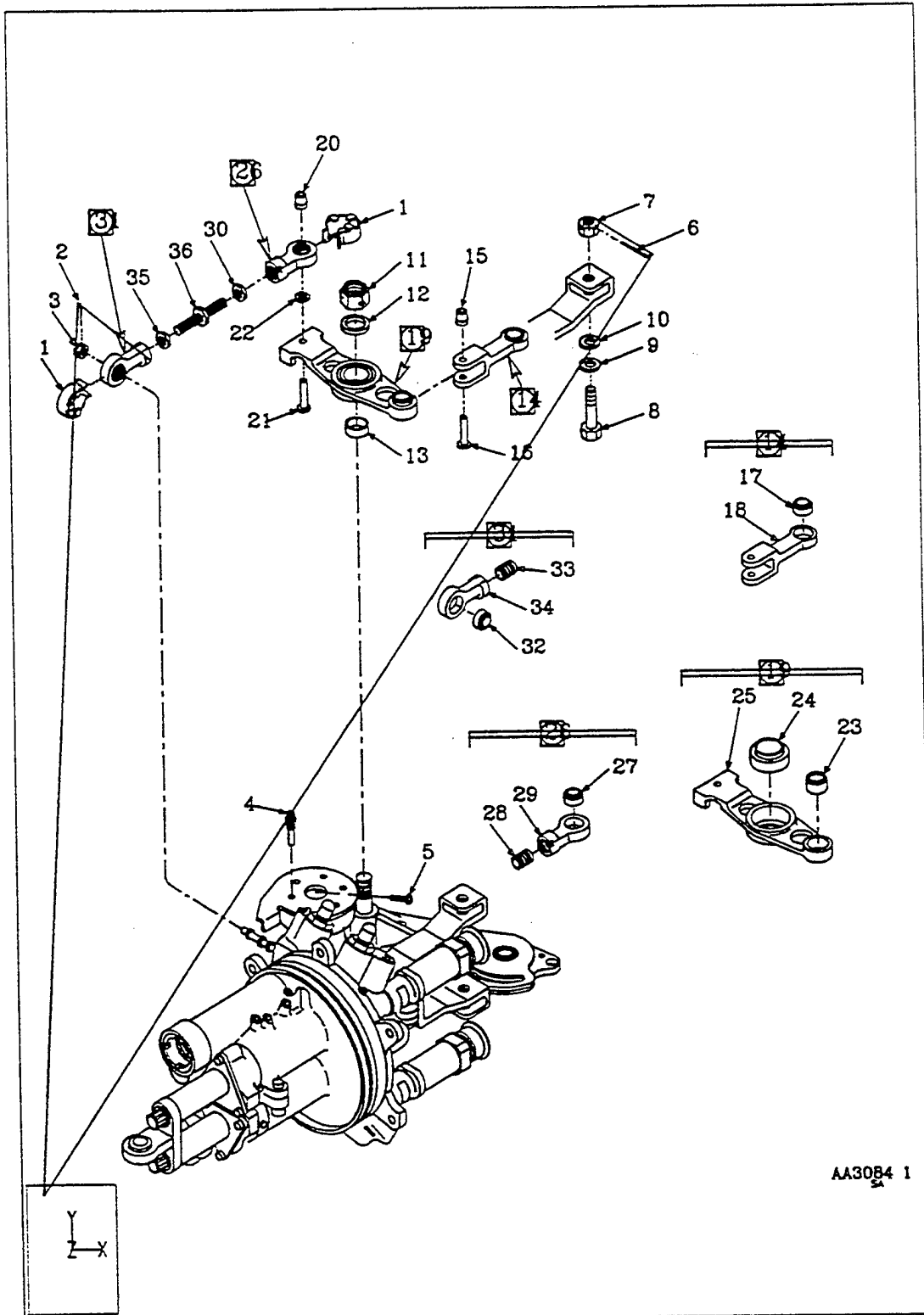
AA308
SA

11.4.2 Output CALSView

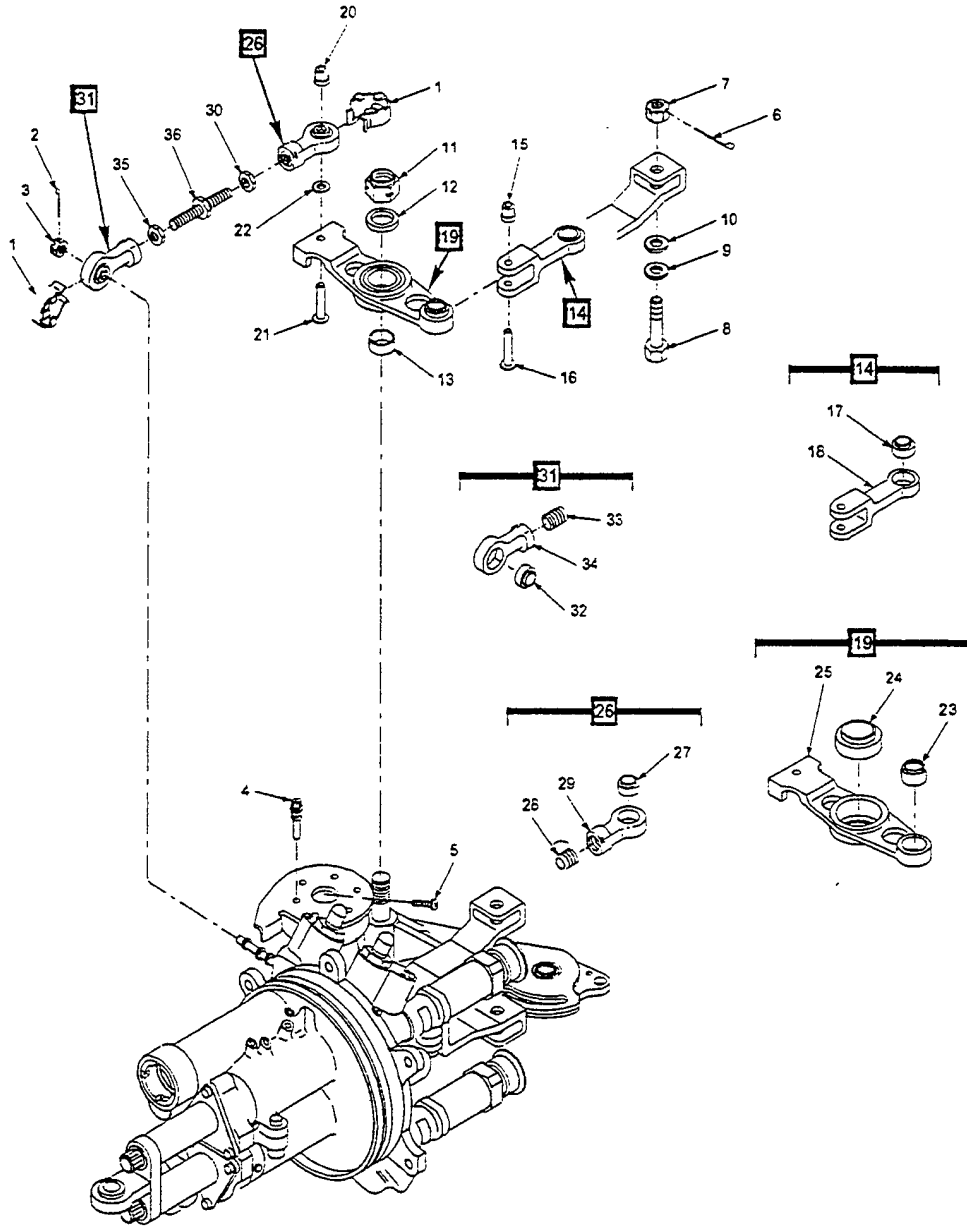


AA3084

11.4.3 Output Generic



11.4.4 Ouput Designer

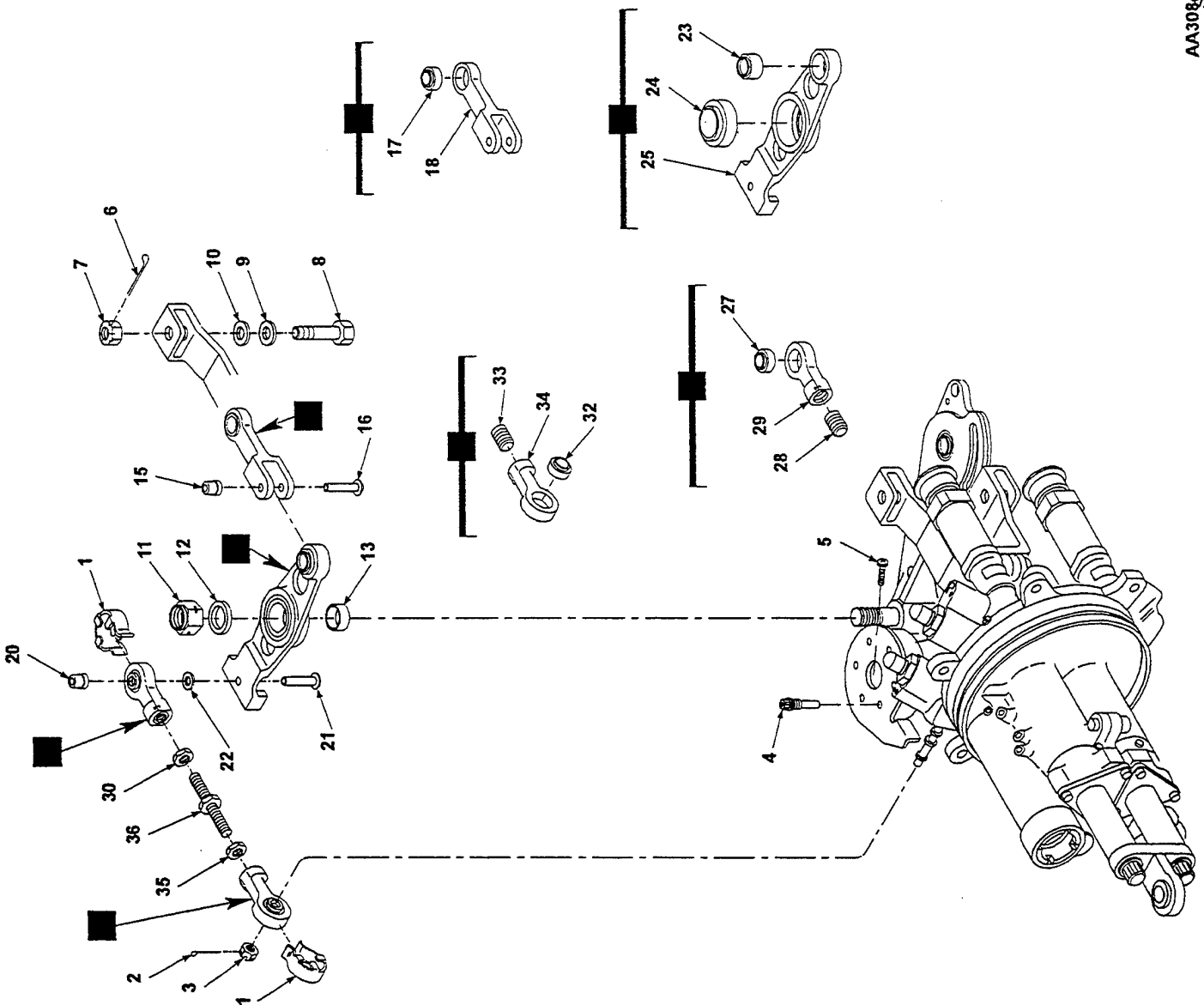


AA3064_1

Designer 4.0

C031

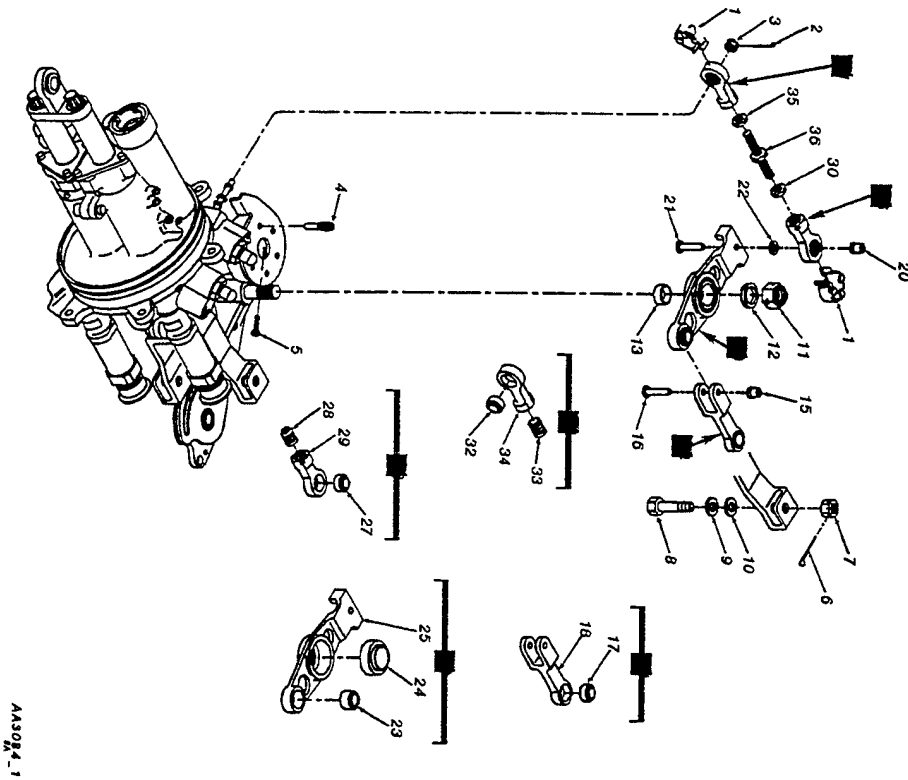
11.4.5 Output Freelance



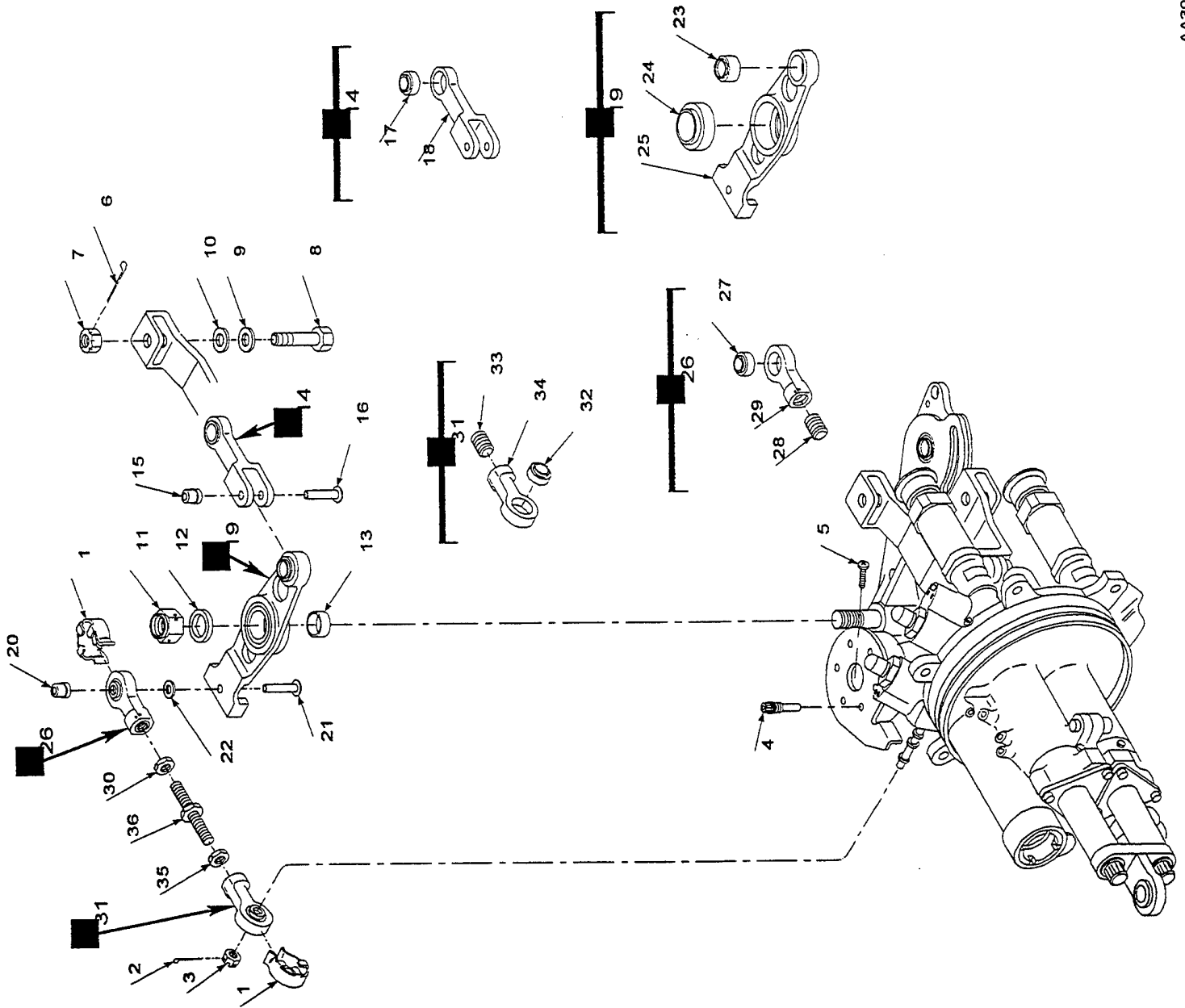
AA308A.1

11.4.6 Output Harvard Graphics

Harvard Graphics
C031

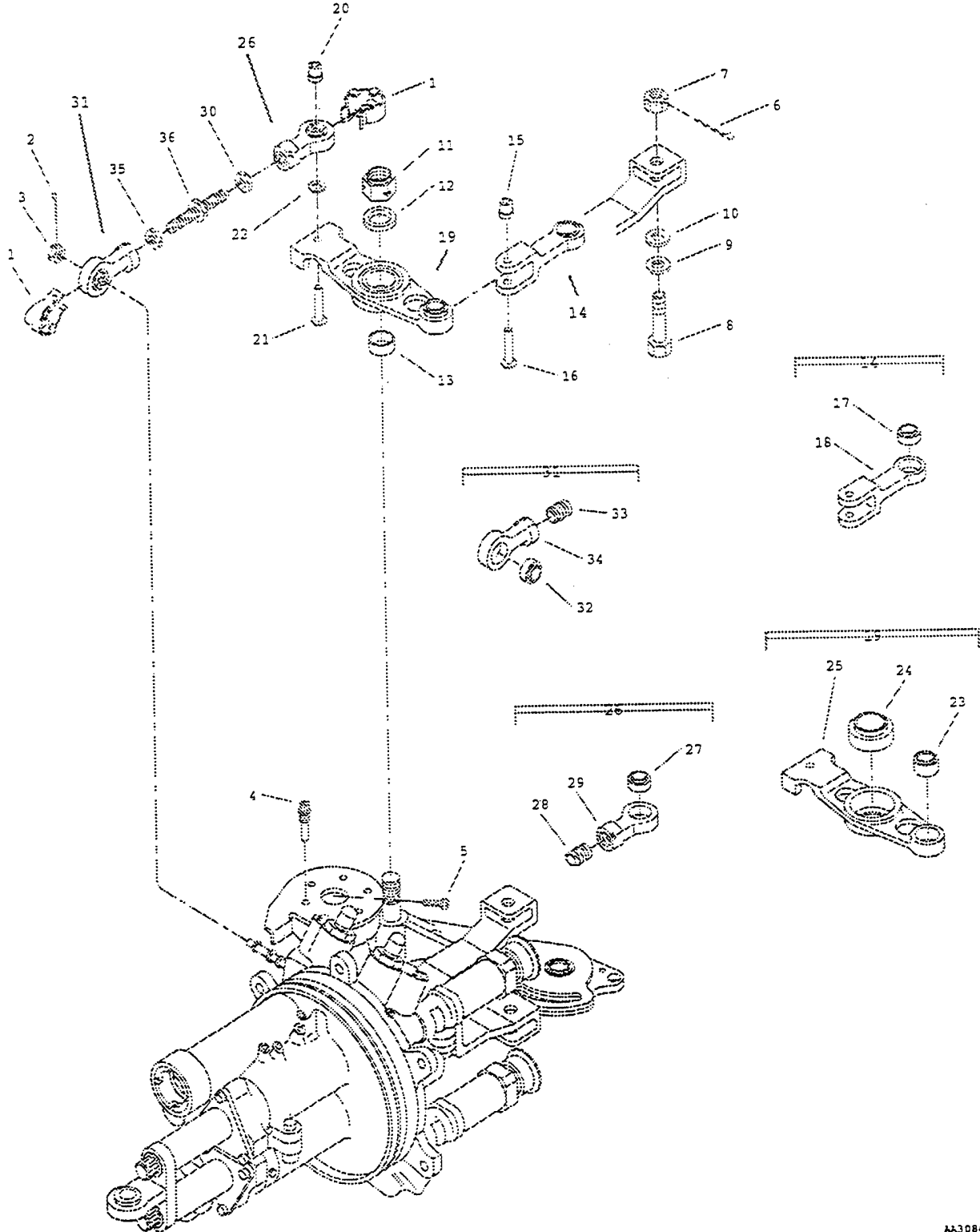


11.4.7 Output HiJaak for Windows



AA30F

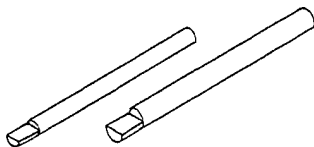
11.4.8 Output Island Draw 4.0



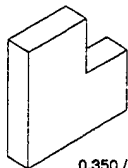
AA3084_1

11.4.9 Output Ventura Publisher

SMALL DIA. GAGE PIN



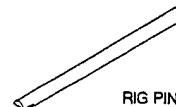
LARGE DIA. GAGE PIN



0.350 / 0.650 GAGE

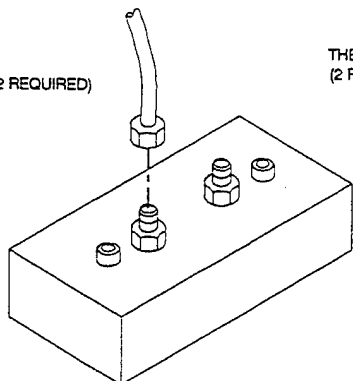


STOP BLOCK (2 REQUIRED)



RIG PIN

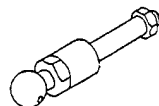
DRAIN TUBE (2 REQUIRED)



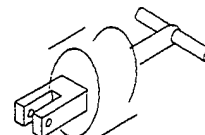
QUICK-DISCONNECT BLOCK
(2 REQUIRED)



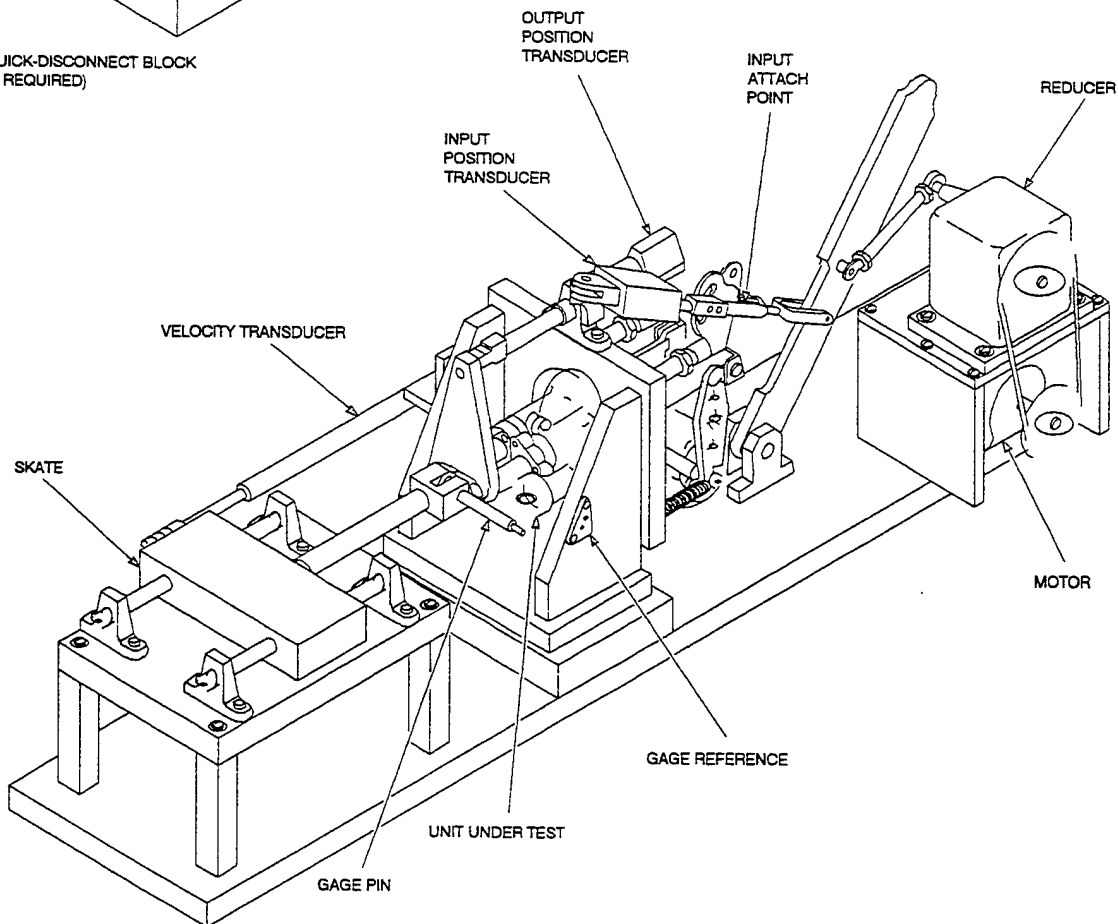
THERMO VALVE CAP
(2 REQUIRED)



INPUT BALL ASSEMBLY



INPUT LOAD
TRANSDUCER



TEST FIXTURE (2227000-F101)

AA3150