



AFCTN Test Report 94-051

AFCTB-ID
93-103



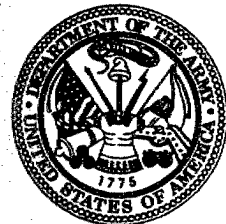
Technical Publication Transfer

Using:



Texas Instruments' Data

Supporting:



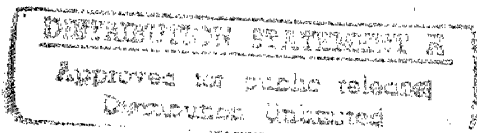
The TOW ITAS Program
(Contract #DAAH01-93-C-0206)



MIL-M-28001A (SGML)
MIL-D-28003 (CGM)

Quick Short Test Report

16 November 1993



19960822 096



Prepared For
Electronic Systems Center
Det 2 ESC/AV-2
4027 Colonel Glenn Hwy, Suite 300
Dayton, Ohio 45431-1672

DTIC QUALITY INSPECTED 3

Technical Publication Transfer

Using:

Texas Instruments' Data

Supporting:

The TOW ITAS Program

(Contract #DAAH01-93-C-0206)

MIL-M-28001A (SGML)

MIL-D-28003 (CGM)

Quick Short Test Report

16 November 1993

Prepared By

Air Force CALS Test Bed
Wright-Patterson AFB, OH 45433

AFCTB Contact

Gary Lammers
(513) 427-2295

AFCTN Contact

Mel Lammers
(513) 427-2295

DTIC QUALITY INSPECTED 3

DISCLAIMER

This document was prepared as an account of the work sponsored by the Air Force. Neither the United States Government, the Air Force, nor any of their employees makes any warranty, express or implied, or assumes any legal liability or responsibility for the accuracy, completeness, or usefulness of any information, apparatus, product, or process disclosed, nor represents that its use would not infringe on privately owned rights. Reference herein to any specific commercial products, process, or service by trade name, trademark, manufacturer, or otherwise, does not necessarily constitute or imply its endorsement, recommendation, or favoring by the United States Government or the Air Force. The views and opinions of authors expressed herein do not necessarily state or reflect those of the United States Government or the Air Force, and shall not be used for advertising or product endorsement purposes.

Available to the public from the
National Technical Information Service
U.S. Department of Commerce
5285 Port Royal Road
Springfield, VA 22161

This report and those involved in its preparation do not endorse any product, process, or company stated herein. Use of these means by anyone does not imply certification by the Air Force CALS Test Network (AFCTN).

Contents

1.	Introduction.....	1
1.1.	Background.....	1
1.2.	Purpose.....	2
2.	Test Parameters.....	3
3.	1840A Analysis.....	5
3.1.	External Packaging.....	5
3.2.	Transmission Envelope.....	5
3.2.1.	Tape Formats.....	5
3.2.2.	Declaration and Header Fields.....	5
4.	IGES Analysis.....	6
5.	SGML Analysis.....	7
6.	Raster Analysis.....	7
7.	CGM Analysis.....	8
8.	Conclusions and Recommendations.....	9
9.	Appendix A - Tapetool Report Logs.....	10
9.1.	Tape Catalog.....	10
9.2.	Tape Evaluation Log.....	11
9.3.	Tape File Set Validation Log.....	12
9.4.	Other Tape Reading Logs.....	15
10.	Appendix B - Detailed SGML Analysis.....	16
10.1.	Parser Log.....	16
10.2.	Exoterica validator Parser.....	17

11. Appendix E - Detailed CGM Analysis.....	19
11.1. File D001C001.....	19
11.1.1. Parser Log MetaCheck.....	19
11.1.2. Output Cadleaf.....	21
11.1.3. Output Designer.....	22
11.1.4. Output Harvard Graphics.....	23
11.1.5. Output CheckMark.....	24
11.1.6. Output cgm2draw/IslandDraw.....	25
11.1.7. Output Ventura Publisher.....	26
11.1.8. Output Freelance.....	27
11.1.9. Output IslandDraw V4.0.....	28
11.2. File D001C002.....	29
11.2.1. Parser Log MetaCheck.....	29
11.2.2. Output Cadleaf.....	31
11.2.3. Output Designer.....	32
11.2.4. Output Harvard Graphics.....	33
11.2.5. Output CheckMark.....	34
11.2.6. Output cgm2draw/IslandDraw.....	35
11.2.7. Output Ventura Publisher.....	36
11.2.8. Output Freelance.....	37
11.2.9. Output IslandDraw V4.0.....	38

1. Introduction

1.1 Background

The Department of Defense (DoD) Air Force Continuous Acquisition and Life-cycle Support (CALs) Test Network (AFCTN) is conducting tests of the military standard for the Automated Interchange of Technical Information, MIL-STD-1840A, and its companion suite of military specifications. The AFCTN is a DoD sponsored confederation of voluntary participants from industry and government managed by the Electronic Systems Center (ESC).

The primary objective of the AFCTN is to evaluate the effectiveness of the CALs standards for technical data interchange and to demonstrate the technical capabilities and operational suitability of those standards. Two general categories of tests are performed to evaluate the standards; formal and informal.

Formal tests are large and comprehensive, which follow a written test plan, require specific authorization from the DoD, and may take months to prepare, execute, and report.

Informal tests are quick and short, used by the AFCTN technical staff, to broaden the testing base. They include representative samples of the many systems and applications used by AFCTN participants. They also allow the AFCTN staff to gain feedback from many industry and government interpretations of the standards, to increase the base of participation in the CALs initiative, and respond to the many requests for help that come from participants. Participants take part voluntarily, benefit by receiving an evaluation of their latest implementation (interpretation) of the standards, interact with the AFCTN technical staff, gain experience using the standards, and develop increased confidence in them. The results of informal tests are reported in Quick Short Test Reports (QSTRs) that briefly summarize the standard(s) tested, the hardware and software used, the nature of the test, and the results.

1.2 Purpose

The purpose of the informal test, reported in this QSTR, was to analyze Texas Instrument's interpretation and use of the CALS standards in transferring technical publication data. Texas Instruments used its CALS Technical Data Interchange System to produce data, in accordance with the standards, and delivered it to the AFCTN technical staff on a 9-track magnetic tape.

2. Test Parameters

Test Plan: AFCTB 93-103

Date of Evaluation: 16 November 1993

Evaluator: George Elwood
Air Force CALS Test Bed
DET 2 HQ ESC/AV-2P
4027 Colonel Glenn Hwy
Suite 300
Dayton OH 45431-1672

Data Originator: Leigh Taylor
Texas Instruments
M/S 8030, ITAS
2501 W. University
McKinney TX 75070

Data Description: Technical Manual Test
1 Document Declaration file
1 Document Type Definition (DTD)
1 Text/Standard Generalized Markup Language (SGML) file
2 Computer Graphics Metafile (CGM) files

Data Source System: 1840

HARDWARE Unknown

SOFTWARE Interleaf V1.7

Text/SGML

HARDWARE Unknown

SOFTWARE Unknown

CGM

HARDWARE

Unknown

SOFTWARE

Unknown

Evaluation Tools Used:

MIL-STD-1840A (TAPE)

SUN 3/280

AFCTN Tapetool v1.2.10 UNIX
XSoft CAPS/CALS v40.4

MIL-M-28001 (SGML)

SUN SparcStation 2

ArborText ADEPT v4.2.1

PC 486/50

Exoterica XGMLNormalizer v1.2e3.2
Exoterica Validator v2.0 ex1
McAfee & McAdam Sema Mark-it v2.3
Public Domain sgmls

MIL-D-28003 (CGM)

SUN SparcStation 2

ArborText cgm2draw

Carberry CADLeaf Plus v3.1

Island Graphics IslandDraw v3.0

Island Graphics IslandDraw v4.0

PC 486/50

AUTODESK Micro Engineering Solutions
(MES) CheckMark v2.0c2
Advance Technology Center
(ATC) MetaView R 1.12
ATC MetaCheck R 2.10
Software Publishing Corporation
(SPC) Harvard Graphics v3.05
Inset Systems HiJaak v2.1
Inset Systems HiJaak v1.0 Windows Pro
Lotus Freelance v2.01
Micrografx Designer v3.1
Micrografx Charisma v2.1
Corel Ventura Publisher

Standards

Tested:

MIL-STD-1840A
MIL-M-28001A
MIL-D-28003

3. 1840A Analysis

3.1 External Packaging

The tape arrived at the Air Force CALS Test Bed (AFCTB) enclosed in a commercial overnight mailing envelop. The exterior of the envelop was marked with a magnetic tape warning label, as required by MIL-STD-1840A, para. 5.3.1.3.

The tape was enclosed in a barrier bag as required by MIL-STD-1840A, para. 5.3.1.2. The tape was not protected from physical damage except by the envelop. Inspection of the tape reel showed the label indicating the recording density, as required by MIL-STD-1840A, para. 5.3.1. A packing list showing all files recorded on the tape was not enclosed.

3.2 Transmission Envelope

The 9-track tape received by the AFCTB contained MIL-STD-1840A files. The files were named per the standard conventions.

3.2.1 Tape Formats

The tape was run through the AFCTN *Tapetool v1.2.10* utility. No errors were encountered while evaluating the contents of the tape labels.

The physical structure of the tape meets the CALS MIL-STD-1840A requirements.

3.2.2 Declaration and Header Fields

Ten errors and 12 notes were reported in the Document Declaration file and data file headers. In Document Declaration File D001, the "filcnt" record was shown as "NONE," indicating that the file set contained no data files. This resulted in several other files being flagged in error.

The file naming was incorrect. The files as they came off the tape were named, D001H001, D001C002, D001C003, D001T002, D001G003. The files should have started at 001 and incremented by one for each file. It looks as though files were added to the file set after the initial Document Declaration file was created.

Because no files were indicated in the Document Declaration file, *Tapetool* assumed the CGM files were product data and should have had a value of "NONE." The value "W" would be correct if the "filcnt" indicated a text file was present. The errors shown below are in fact valid entries, although they were flagged as errors.

```
txtfilid: W
*** ERROR (MIL-STD-1840A; 5.1.4.5) - Invalid 'txtfilid:' value for
    product data. Expected => NONE
*** NOTE - The header record will be given the value NONE.
*** NOTE - Correction made in new CGM Header File.
figid: 01
srcgph: COVER
*** ERROR (MIL-STD-1840A; 5.1.4.5) - Invalid 'srcgph:' value for
    product data. Expected => NONE
*** NOTE - The header record will be given the value NONE.
*** NOTE - Correction made in new CGM Header File.
```

The tape was read using the XSoft *CAPS read1840A* utility with similar reported errors.

4. IGES Analysis

The tape contained no Initial Graphics Exchange Specification (IGES) files.

5. SGML Analysis

The AFCTB has several parsers available for evaluating submitted DTD and Text files. These tools are not used to generate a pass/fail but to report how commercially available software can handle the files. These products are used in the development of technical publications and are good indicators of usability. The use of these products is not an endorsement nor an indication of CALS capability. All operations were performed using the default settings unless specified in the report. Changes to DTD or Text files required by each system are not documented in the report.

The Text and DTD files were evaluated using Exoterica's *Validator exl* parser with no reported errors. Some warnings were issued on unused entities.

The Text and DTD files were tested using Exoterica's *XGML-Normalizer* parser with no reported errors.

The Text and DTD files were evaluated using McAfee & McAdam's *Sema Mark-it* parser with no reported errors.

The Text and DTD files were evaluated using Public Domain's *sgmls* parser with no reported errors.

The Text file was imported into ArborText's *Adept* software. The DTD and Text files parsed without a problem. The Format Output Specification Instance (FOSI) would not import into the software. When checking the FOSI, errors were noted where elements were not included in the DTD and referenced in the FOSI.

The FOSI and DTD could not be parsed and, therefore, could not test the files to determine if they meet the CALS MIL-28001A specification.

6. Raster Analysis

The tape contained no Raster files.

7. CGM Analysis

The tape contained two CGM files. The files were evaluated using ATC's *MetaCheck* with CALS options. The CGM files were evaluated using the beta AFCTN *validcgm* utility with reported errors.

The AFCTB has several tools for viewing CGM files. These tools are not used to generate a pass/fail but to report how commercially available software can handle the files. Many of these products are used in the development of technical publications and are good indicators of usability. The use of these products is not an endorsement nor an indication of CALS capability. All operations were performed using the default settings.

The CGM files were converted using ArborText's *cgm2draw* utility without a reported error. The resulting files were read into Island Graphics' *IslandDraw v3.1*, displayed and printed.

The files were viewed using ATC's *MetaView* software without a reported error. The images appeared to be complete.

The files were viewed using MES' *CheckMark* software without any problems.

The files were read into Carberry's *CADLeaf* software and displayed.

An attempt to read the files into Inset Systems' *HiJaak for Windows* resulted in an error message, indicating a non-support for real precision.

The files were imported directly into Island Graphics' *IslandDraw v4.0* without a reported error.

The files were imported into the Micrografx *Designer* with reported errors. However, the files still displayed and printed correctly.

The files were imported into SPC's *Harvard Graphics v3.05* without a reported error and printed.

The files were imported into Corel's *Ventura Publisher* without a reported error and printed.

The CGM files meet the CALS MIL-D-28003 specification.

8. Conclusions and Recommendations

The physical structure of the tape from Texas Instruments is correct and meets the CALS MIL-STD-1840A requirements. An error in the Document Declaration files "filcnt" was caused by incorrect file sequencing (misnumbering). This portion of the tape does not meet the CALS MIL-STD-1840A requirements.

The Text and DTD parsed without error on four out of the six parsers available in the AFCTB. The FOSI was checked and found to be in error. At least two elements were called from the FOSI and were not present in the DTD. The FOSI and DTD do not meet the CALS MIL-M-28001A specification.

The CGM files meet the CALS MIL-D-28003 specification.

The tape submitted by Texas Instruments does not meet the CALS MIL-STD-1840A requirements, due to the errors in the Document Declaration file and the FOSI.

9. Appendix A - Tapetool Report Logs

9.1 Tape Catalog

CALS Test Network Catalog Evaluation - Version 1.2; Release 10 (C)

Standards referenced:

MIL-STD-1840A (1987) - Automated Interchange of Technical Information

ANSI X3.27 (1987) - File Structure and Labeling of Magnetic Tapes
for Information Interchange

ANSI X3.4 (1986) - Coded Character Sets - 7 Bit ASCII

Tue Nov 16 09:09:14 1993

MIL-STD-1840A File Catalog

File Set Directory: /cals/u1210/Set034

Page: 1

File Name	File Type	Record		Selected/ Extracted
		Format/ Length	Block Length/Total	
D001	Document Declaration	D/00260	02048/000001	Extracted
D001H001	Output Specification	D/00260	02048/000018	Extracted
D001C002	CGM	F/00080	00800/000014	Extracted
D001C003	CGM	F/00080	00800/000098	Extracted
D001T002	Text	D/00260	02048/000017	Extracted
D001G003	DTD	D/00260	02048/000027	Extracted

Catalog Process terminated normally.

9.2 Tape Evaluation Log

CALS Test Network Tape Evaluation - Version 1.2; Release 10 (C)

Standards referenced:

ANSI X3.27 (1987) - File Structure and Labeling of Magnetic Tapes
for Information Interchange

ANSI X3.4 (1986) - Coded Character Sets - 7 Bit ASCII

Tue Nov 16 09:09:03 1993

ANSI Tape Import Log

Allocating tape drive /dev/rmt0...

/dev/rmt0 allocated.

VOL1CAL501

4

Label Identifier: VOL1
Volume Identifier: CAL501
Volume Accessibility:
Owner Identifier:
Label Standard Version: 4

HDR1D001 CAL50100010001000100 93315 00000 000000ILEAF VER 1.7

Label Identifier: HDR1
File Identifier: D001
File Set Identifier: CAL501
File Section Number: 0001
File Sequence Number: 0001
Generation Number: 0001
Generation Version Number: 00
Creation Date: 93315
Expiration Date: 00000
File Accessibility:
Block Count: 000000
Implementation Identifier: ILEAF VER 1.7

<<<< PART OF LOG FILE REMOVED HERE >>>>

End of Volume CAL501 #####
End Of Tape File Set

Deallocating /dev/rmt0...

Tape Import Process terminated normally.

9.3 Tape File Set Validation Log

CALS Test Network File Set Evaluation - Version 1.2; Release 10 (C)

Standards referenced:

MIL-STD-1840A (1987) - Automated Interchange of Technical Information

Tue Nov 16 09:09:14 1993

MIL-STD-1840A File Set Evaluation Log

File Set: Set034

Found file: D001

Extracting Document Declaration Header Records...

Evaluating Document Declaration Header Records...

srcsys: Interleaf Inc., Waltham, Ma.

srcdocid: TM 9-XXXX-XXX-30

srcrelid: TBD

chglvl: ORIGINAL

dteisu: 19931115

dstsys: MICOM-ArborText

dstdocid: TM 9-XXXX-XXX-30

dstrelid: TBD

dtetrm: 19910816

dlvacc: ITAS, DAAH01-93-C-0206, A059

filcnt: NONE

ttlcls: Unclass

doccls: Unclass

doctyp: TECHNICAL MANUAL

doctl: DS MAINTENANCE FOR TOW ITAS

Found file: D001H001

Extracting Output Specification Header Records...

Evaluating Output Specification Header Records...

srcdocid: TM 9-XXXX-XXX-30

dstdocid: TM 9-XXXX-XXX-30

notes: FOSI from MIL-HDBK-SGML, modified by Jim Rice, preliminary version

Saving Output Specification Header File: D001H001_HDR

Saving Output Specification Data File: D001H001_OS

Found file: D001C002

Extracting CGM Header Records...

Evaluating CGM Header Records...

srcdocid: TM 9-XXXX-XXX-30
dstdocid: TM 9-XXXX-XXX-30
txtfilid: W
*** ERROR (MIL-STD-1840A; 5.1.4.5) - Invalid 'txtfilid:' value for
product data. Expected => NONE
*** NOTE - The header record will be given the value NONE.
*** NOTE - Correction made in new CGM Header File.
figid: 01
srcgph: COVER
*** ERROR (MIL-STD-1840A; 5.1.4.5) - Invalid 'srcgph:' value for
product data. Expected => NONE
*** NOTE - The header record will be given the value NONE.
*** NOTE - Correction made in new CGM Header File.
doccls: Unclass
notes: Preliminary cover art

2 error(s), 0 warning(s), and 4 note(s) were encountered
in CGM File D001C002.

Saving CGM Header File: D001C002_HDR
Saving CGM Data File: D001C002_CGM

Found file: D001C003
Extracting CGM Header Records...
Evaluating CGM Header Records...

srcdocid: TM 9-XXXX-XXX-30
dstdocid: TM 9-XXXX-XXX-30
txtfilid: W
*** ERROR (MIL-STD-1840A; 5.1.4.5) - Invalid 'txtfilid:' value for
product data. Expected => NONE
*** NOTE - The header record will be given the value NONE.
*** NOTE - Correction made in new CGM Header File.
figid: 02
srcgph: ITAS
*** ERROR (MIL-STD-1840A; 5.1.4.5) - Invalid 'srcgph:' value for
product data. Expected => NONE
*** NOTE - The header record will be given the value NONE.
*** NOTE - Correction made in new CGM Header File.
doccls: Unclass
notes: Preliminary ITAS Major Components art

2 error(s), 0 warning(s), and 4 note(s) were encountered
in CGM File D001C003.

Saving CGM Header File: D001C003_HDR
Saving CGM Data File: D001C003_CGM

Found file: D001T002
Extracting Text Header Records...

Evaluating Text Header Records...

srcdocid: TM 9-XXXX-XXX-30
dstdocid: TM 9-XXXX-XXX-30
txtfilid: W
*** ERROR (MIL-STD-1840A; 5.1.4.1) - Invalid 'txtfilid:' value for
product data. Expected => NONE
*** NOTE - The header record will be given the value NONE.
*** NOTE - Correction made in new Text Header File.
doccls: Unclass
notes: NONE

1 error(s), 0 warning(s), and 2 note(s) were encountered
in Text File D001T002.

Saving Text Header File: D001T002_HDR
Saving Text Data File: D001T002_TXT

Found file: D001G003
Extracting DTD Header Records...
Evaluating DTD Header Records...

srcdocid: TM 9-XXXX-XXX-30
dstdocid: TM 9-XXXX-XXX-30
notes: NONE

Saving DTD Header File: D001G003_HDR
Saving DTD Data File: D001G003_DTD

Evaluating numbering scheme...

*** ERROR (MIL-STD-1840A; 5.1.3) - The data files for Document D001
were not numbered properly.
*** NOTE (MIL-STD-1840A; 5.1.3) - The first data file for a
Document shall use "001" and the number shall increment
sequentially for each file of the Document so that each
file has a unique file name.

Renumbering data files...

Renumbering Text File from => D001T002 to => D001T005
Renumbering Output Specification File from => D001H001 to => D001H004
Renumbering CGM File from => D001C003 to => D001C001 Updating Map File for
Document D001

*** NOTE - 3 file(s) were renumbered.
Numbering scheme evaluation complete.

Checking file count...

*** ERROR (MIL-STD-1840A; 5.1.1.2) - Actual CGM File Count does
not match filcnt record. Actual => 2, Expected => 0.
*** ERROR (MIL-STD-1840A; 5.1.1.2) - Actual DTD File Count does
not match filcnt record. Actual => 1, Expected => 0.

*** ERROR (MIL-STD-1840A; 5.1.1.2) - Actual Output Specification File Count does not match filcnt record. Actual => 1, Expected => 0.
*** ERROR (MIL-STD-1840A; 5.1.1.2) - Actual Text File Count does not match filcnt record. Actual => 1, Expected => 0.
*** NOTE - Correction made in new Document Declaration header file.
4 error(s) were encountered during file count verification.
File Count verification complete.

A total of 10 error(s), 0 warning(s), and 12 note(s) were encountered in Document D001.

A grand total of 10 error(s), 0 warning(s), and 12 note(s) were encountered in this File Set.

MIL-STD-1840A File Set Evaluation Complete.

9.4 Other Tape Reading Logs

```
/cals/caps/Bin/read1840A: --- Read declaration file 'D001' ---  
/cals/caps/Bin/read1840A: writing data file 'aftb93103/TM9-XXXX-XXX-30/TM9XXXXXXXX30.H.out'.  
/cals/caps/Bin/read1840A: writing data file 'aftb93103/TM9-XXXX-XXX-30/COVER.C.cgm'.  
/cals/caps/Bin/read1840A: writing data file 'aftb93103/TM9-XXXX-XXX-30/ITAS.C.cgm'.  
/cals/caps/Bin/read1840A: writing data file 'aftb93103/TM9-XXXX-XXX-30/W.T.sgm'.  
/cals/caps/Bin/read1840A: writing data file 'aftb93103/TM9-XXXX-XXX-30/TM9XXXXXXXX30.G.dtd'.  
-- declaration file indicates 0 files of type T  
-- declaration file indicates 0 files of type G  
-- declaration file indicates 0 files of type H  
-- declaration file indicates 0 files of type Q  
-- declaration file indicates 0 files of type R  
-- declaration file indicates 0 files of type C  
-- declaration file indicates 0 files of type X  
-- declaration file indicates 0 files of type P  
-- declaration file indicates 0 files of type Z  
*** WARNING: Declaration file indicates 0 SGML files, but tape contains 1 files.  
*** WARNING: Declaration file indicates 0 DTD files, but tape contains 1 files.  
*** WARNING: Declaration file indicates 0 Output Specification files, but tape contains 1 files.  
*** WARNING: Declaration file indicates 0 CGM files, but tape contains 2 files.
```

10. Appendix B - SGML Detailed Analysis

10.1 Parser Log

SGML Document Type Definition Parser
An SGML System Conforming to
International Standard ISO 8879
Standard Generalized Markup Language

Log file: '93103.LOG'
SDO File: 'ctndecl.sdo'
Namecase General is yes.
Namecase Entity is no.
Parsing DTD file: '93103.dtd'

DTD0096: The generic ID ARBTEXT has not been used in any content
model, inclusion, or as a doctype element.
DTD0096: The generic ID HRULE has not been used in any content
model, inclusion, or as a doctype element.
DTD0096: The generic ID SHORTTITLE has not been used in any content
model, inclusion, or as a doctype element.
DTD0096: The generic ID CONTASSURPG has not been used in any content
model, inclusion, or as a doctype element.
DTD0096: The generic ID REFDOC has not been used in any content
model, inclusion, or as a doctype element.
DTD0096: The generic ID CFGPGE has not been used in any content
model, inclusion, or as a doctype element.
DTD0096: The generic ID COVERINDEX has not been used in any content
model, inclusion, or as a doctype element.
DTD0096: The generic ID STALOC has not been used in any content
model, inclusion, or as a doctype element.
DTD0096: The generic ID TESTCODE has not been used in any content
model, inclusion, or as a doctype element.
This DTD conforms to the ISO 8879 standard

DTO file '93103.DTO' created

closing statistics:
Capacity points: 62104
Bytes of DTO file string space: 11358
SGML descriptor blocks: 6394

Document Type Definition is compliant and parsed normally.

Program status code: 0.

10.2 Exoterica validator Parser

```
<!-- **Warning** in "93103.sgm", line 1:
  An element is not allowed in the document instance because it does not
  appear in any accessible content model or it is completely excluded.
  The element is "ARBTEXT".
-->
<!-- **Warning** in "93103.sgm", line 1:
  An element is not allowed in the document instance because it does not
  appear in any accessible content model or it is completely excluded.
  The element is "CFGPGGE".
-->
<!-- **Warning** in "93103.sgm", line 1:
  An element is not allowed in the document instance because it does not
  appear in any accessible content model or it is completely excluded.
  The element is "CONTASSURPG".
-->
<!-- **Warning** in "93103.sgm", line 1:
  An element is not allowed in the document instance because it does not
  appear in any accessible content model or it is completely excluded.
  The element is "COVERINDEX".
-->
<!-- **Warning** in "93103.sgm", line 1:
  An element is not allowed in the document instance because it does not
  appear in any accessible content model or it is completely excluded.
  The element is "HRULE".
-->
<!-- **Warning** in "93103.sgm", line 1:
  An element is not allowed in the document instance because it does not
  appear in any accessible content model or it is completely excluded.
  The element is "REFDOC".
-->
<!-- **Warning** in "93103.sgm", line 1:
  An element is not allowed in the document instance because it does not
  appear in any accessible content model or it is completely excluded.
  The element is "SHORTTITLE".
-->
<!-- **Warning** in "93103.sgm", line 1:
  An element is not allowed in the document instance because it does not
  appear in any accessible content model or it is completely excluded.
  The element is "STALOC".
-->
<!-- **Warning** in "93103.sgm", line 1:
  An element is not allowed in the document instance because it does not
  appear in any accessible content model or it is completely excluded.
  The element is "TESTCODE".
-->
```

```
<!-- **Warning** in "93103.sgm", line 1:  
  There is no element with an IDREF or IDREFS attribute value equal to a  
  specified ID value.  
  The unreferenced ID attribute value is "BCWLWKMU".  
-->  
<!-- 10 warnings reported. -->
```

11. Appendix E - Detailed CGM Analysis

11.1 File D001C001

11.1.1 Parser Log MetaCheck

MetaCheck Version 2.10 -- CGM/MIL-D-28003 Conformance Analyzer
Copyright 1988-93 CGM Technology Software
Execution Date: 11/16/93 Time: 11:05:14

Metafile Examined : \93103\c001

Pictures Examined : All

Elements Examined : All

Bytes Examined : All

=====
Trace Report
=====

Tracing not selected.

=====
CGM Conformance Violation Report
=====

No Errors Detected

=====
CALC CGM Profile (MIL-D-28003) Report
=====

No profile discrepancies detected.

=====
Conformance Summary Report
=====

MetaCheck Version 2.10 -- CGM/MIL-D-28003 Conformance Analyzer
Copyright 1988-93 CGM Technology Software
Execution Date: 11/16/93 Time: 11:05:27

Name of CGM under test: \93103\c001.cgm

Encoding : Binary

Pictures Examined : All

Elements Examined : All

Bytes Examined : All

BEGIN METAFILE string : >Version 5.42, ITAS_cgm.sty, 11/12/93<
> 13:19:10<

METAFILE DESCRIPTION : >Interleaf Inc. MDL/G CGM 1992 *** MI<
>L-D-28003/BASIC-1<

Picture 1 starts at octet offset 394: >ITAS<

Conformance Summary : This file conforms to the CGM specification.
This file meets the CALS CGM Profile (MIL-D-28003).

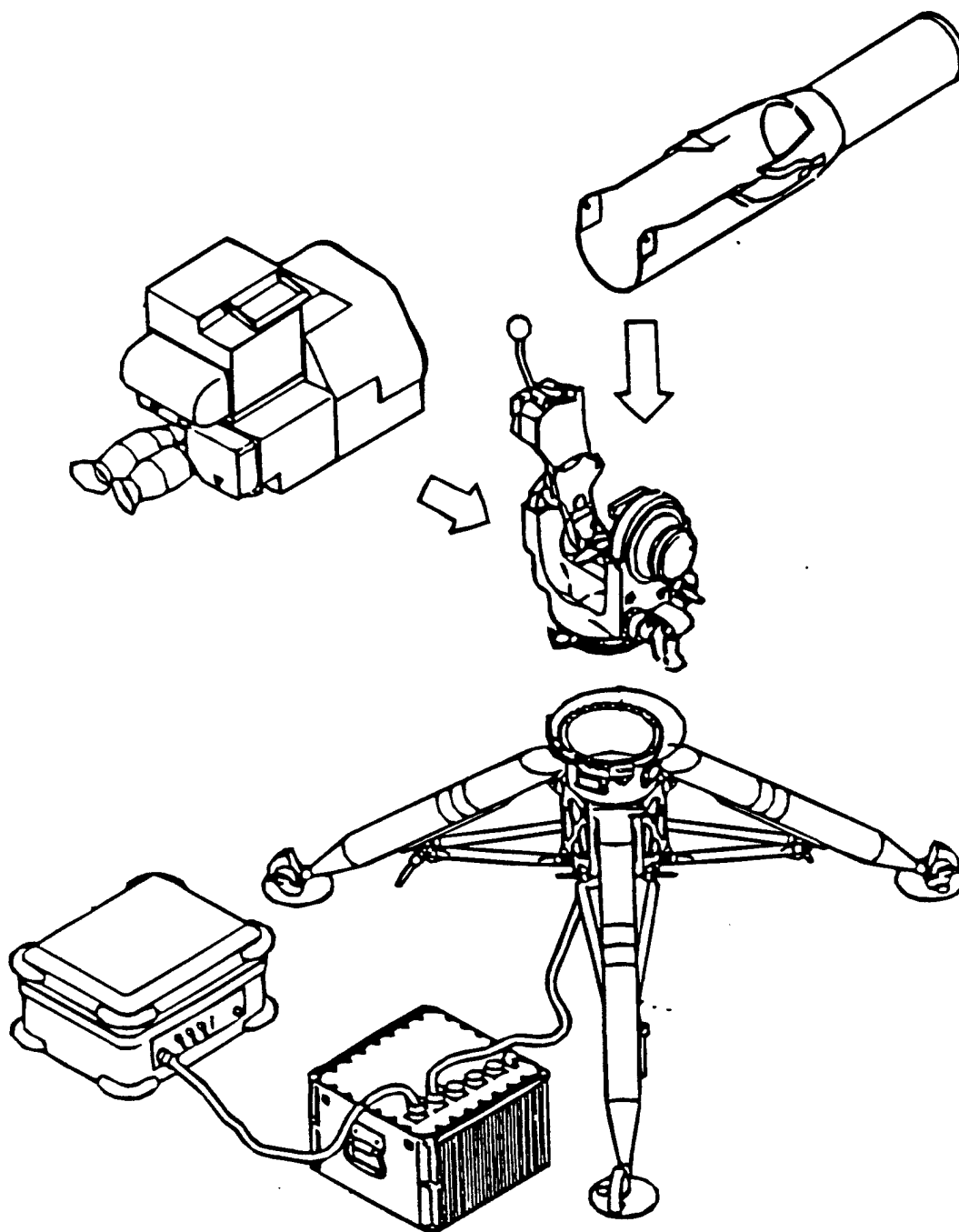
Summary of Testing Performed and Errors Found:

1 Pictures Tested
5097 Elements Tested
77532 Octets Tested

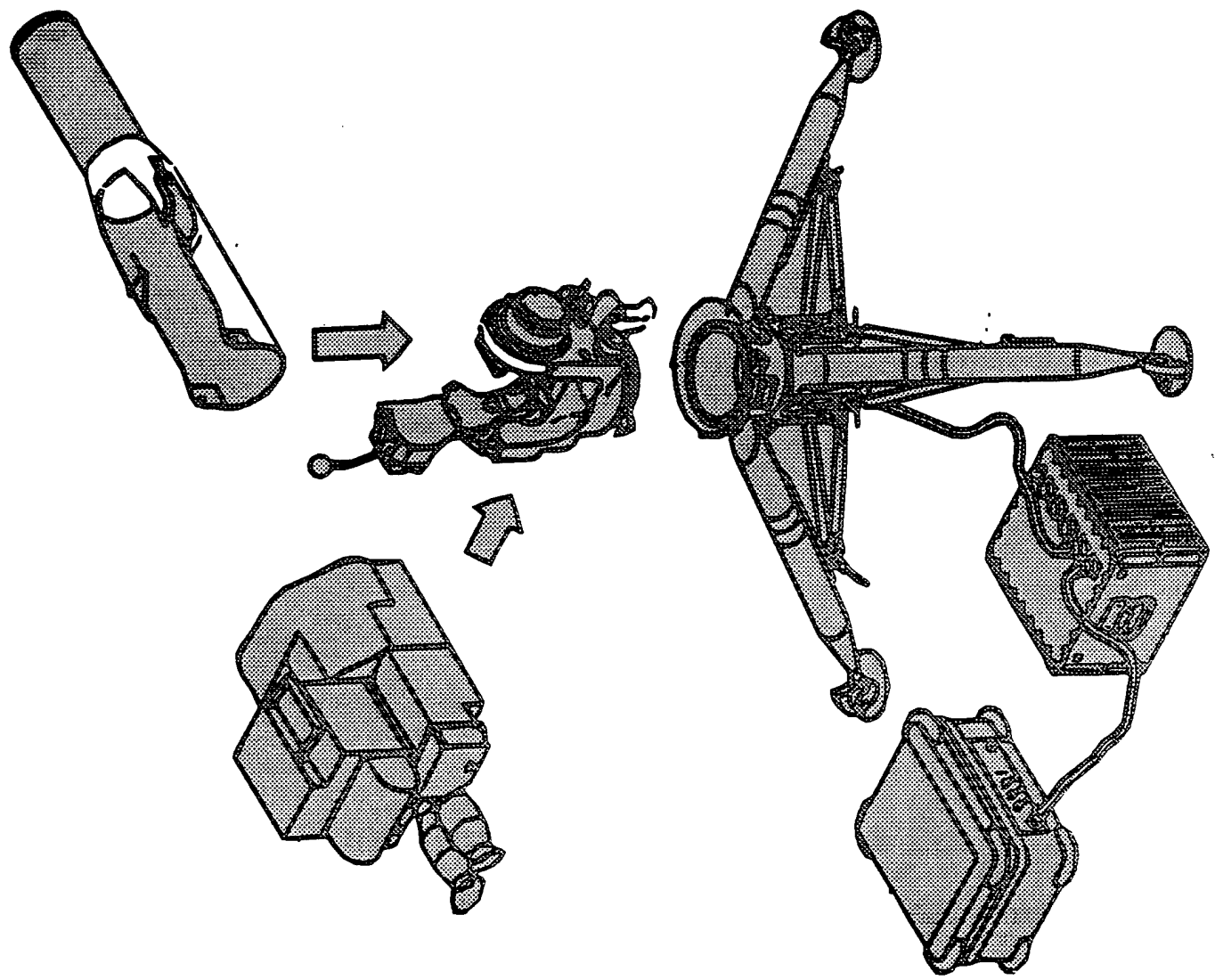
```
=====
|   No Errors Were Detected   |
=====
```

===== End of Conformance Report =====

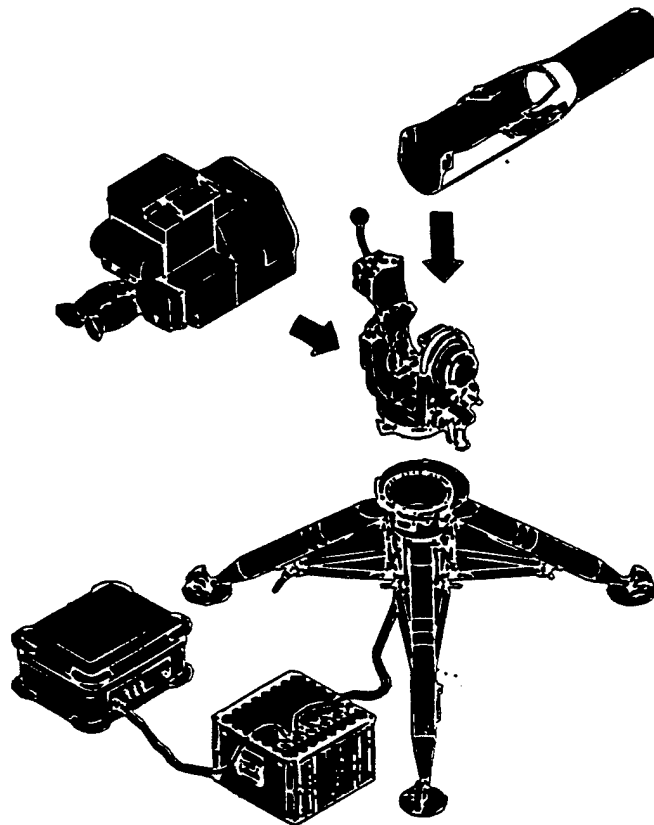
11.1.2 Output Cadleaf



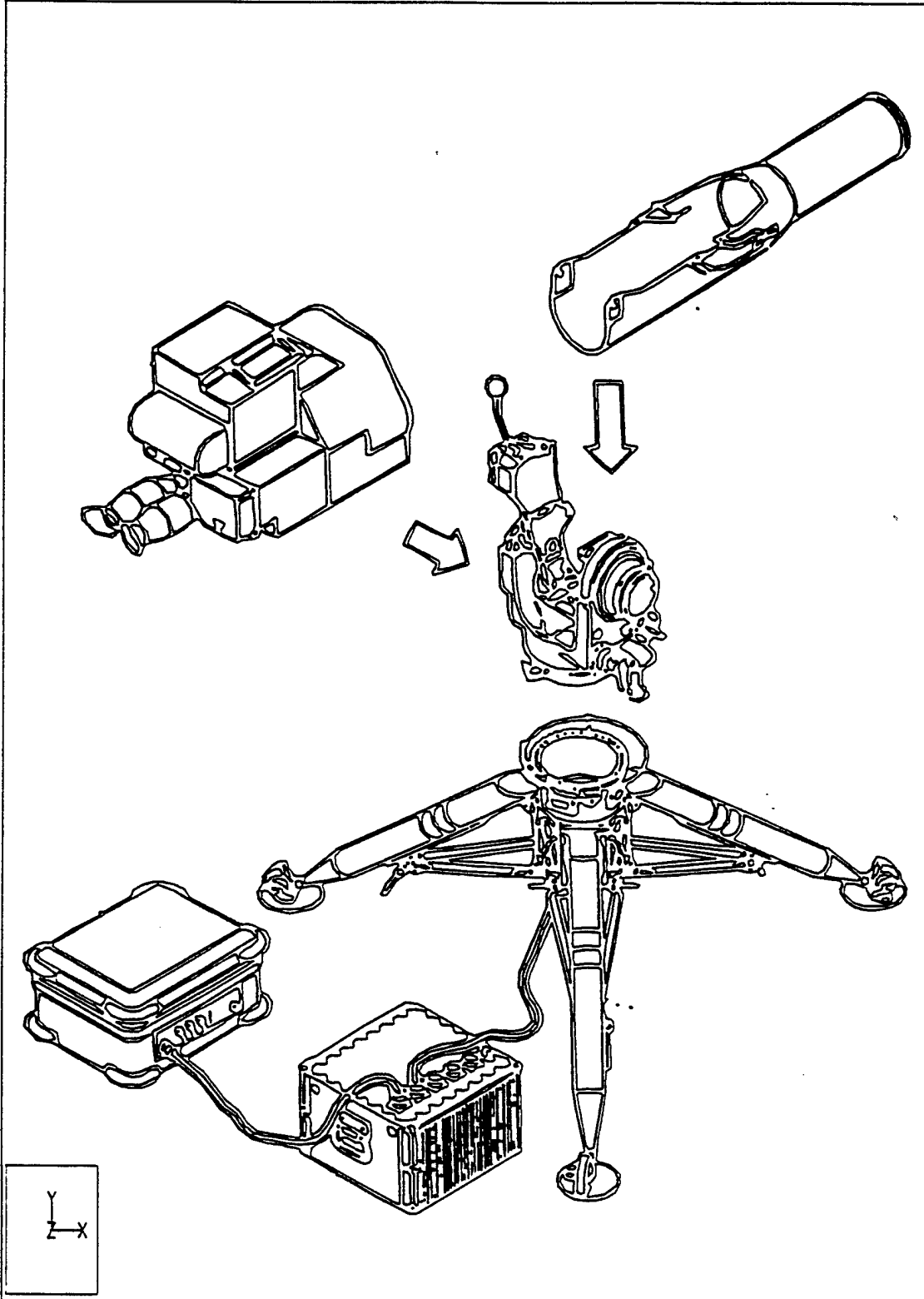
11.1.3 Output Designer



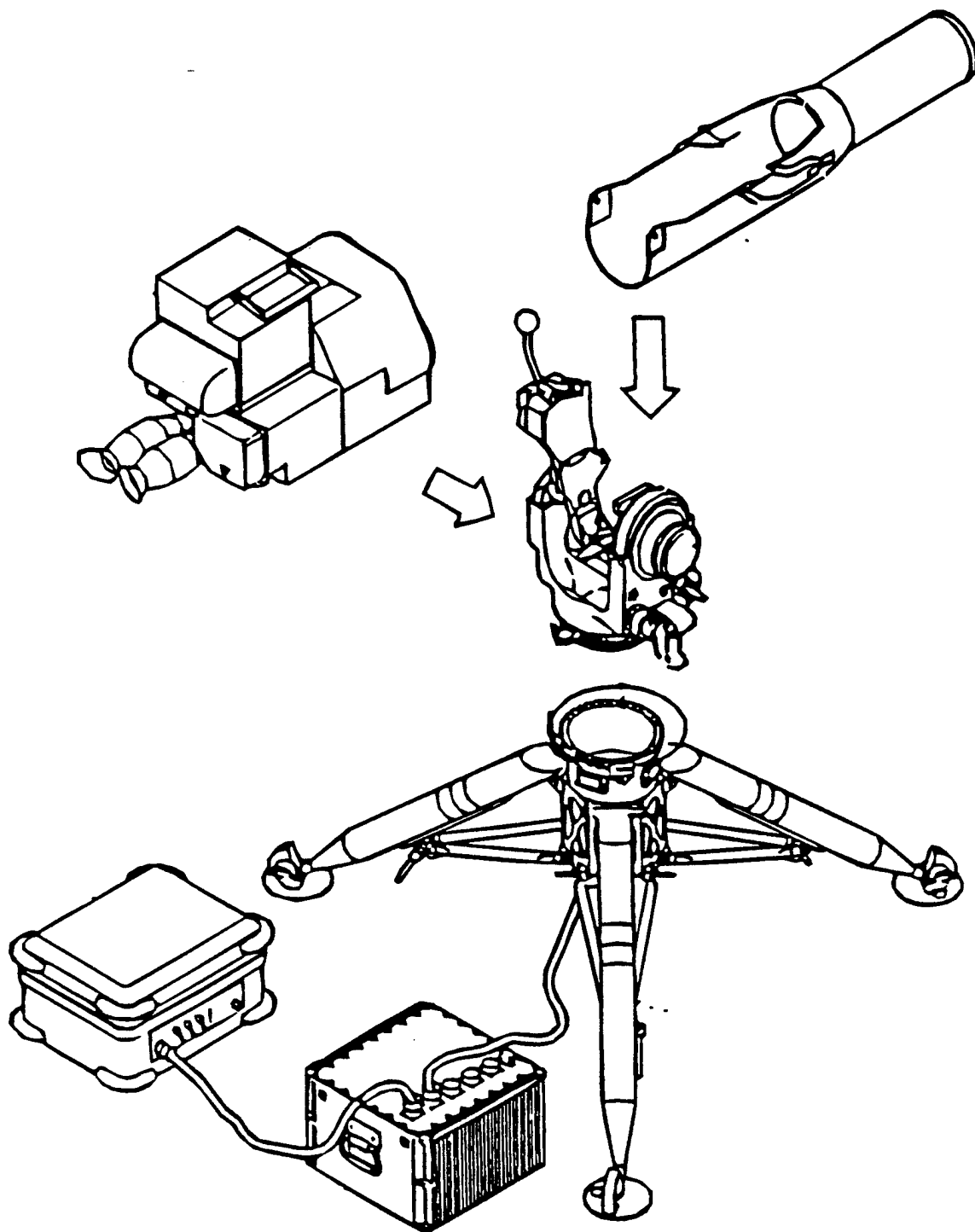
11.1.4 Output Harvard Graphics



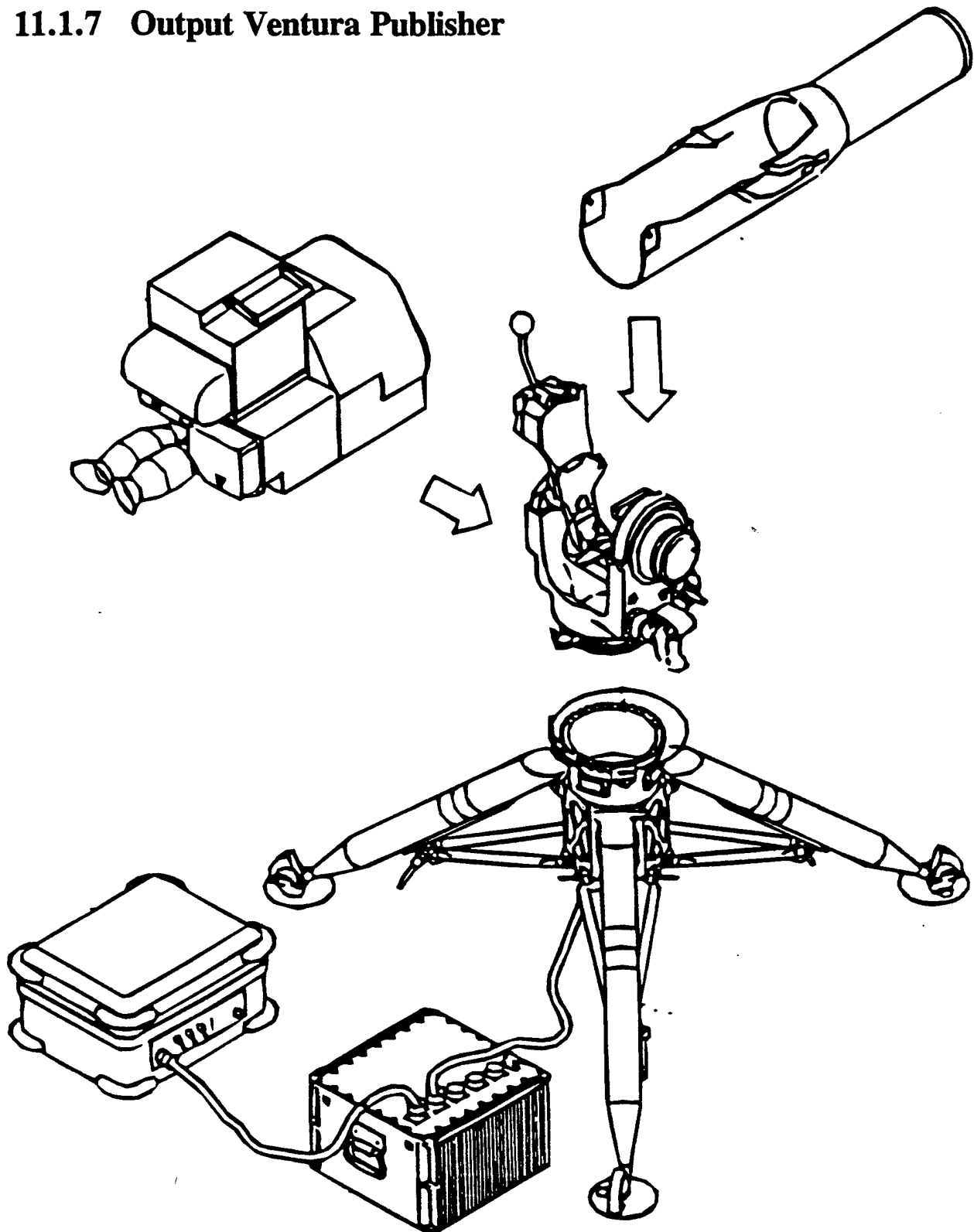
11.1.5 Output CheckMark



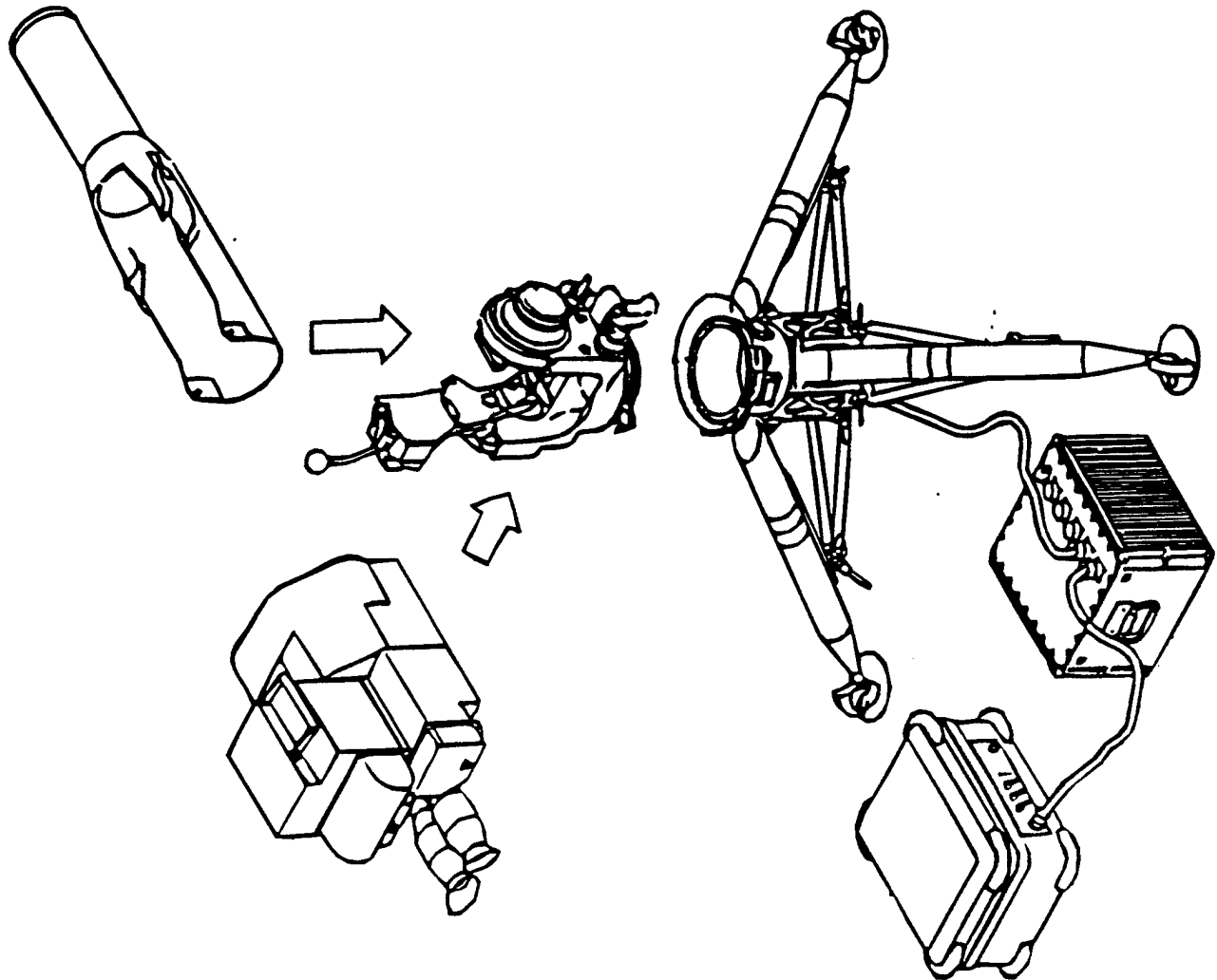
11.1.6 Output cgm2draw/IslandDraw



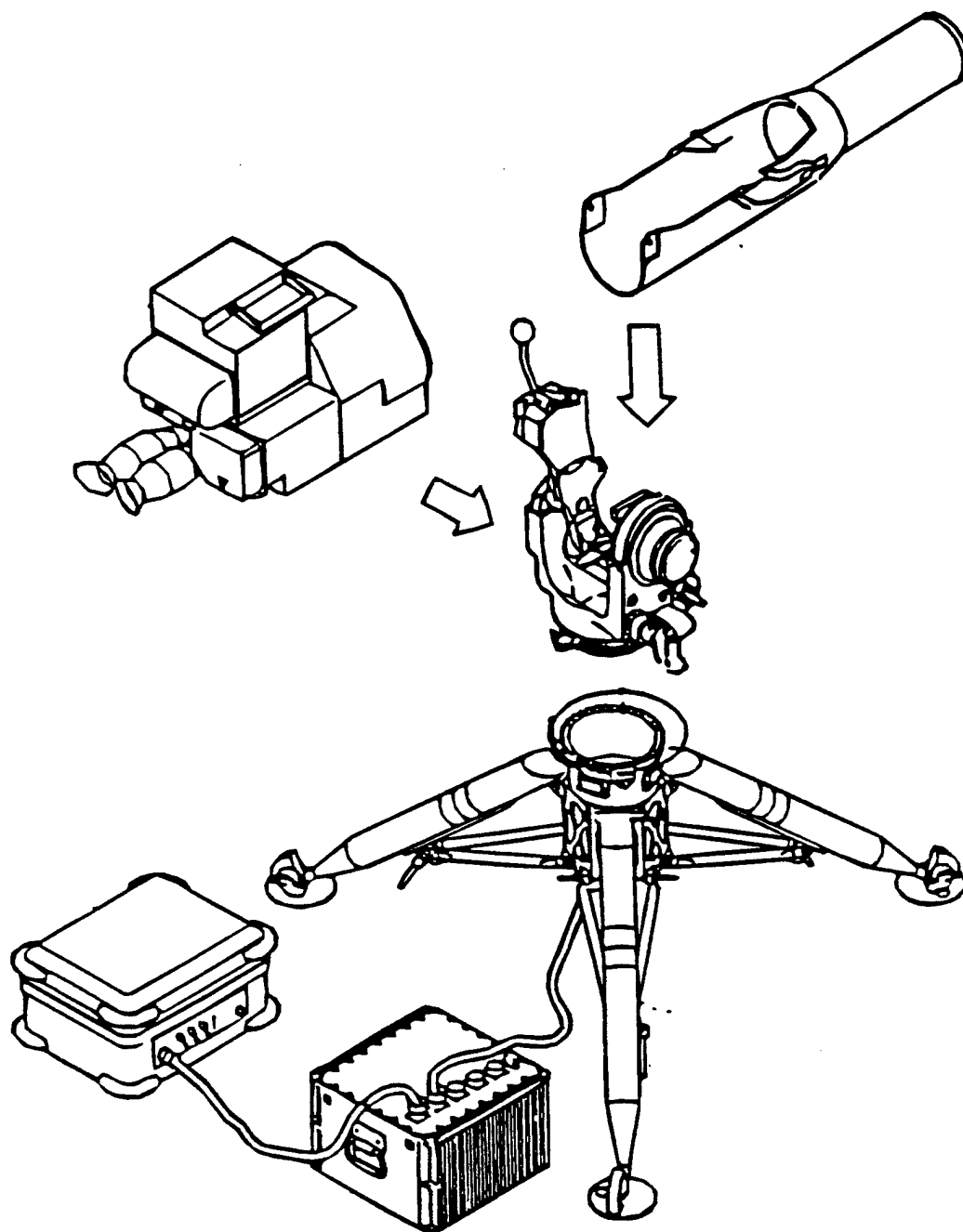
11.1.7 Output Ventura Publisher



11.1.8 Output Freelance



11.1.9 Output IslandDraw v4.0



11.2 File D001C002

11.2.1 Parser Log MetaCheck

MetaCheck Version 2.10 -- CGM/MIL-D-28003 Conformance Analyzer
Copyright 1988-93 CGM Technology Software
Execution Date: 11/16/93 Time: 11:07:16

Metafile Examined : \93103\c002

Pictures Examined : All

Elements Examined : All

Bytes Examined : All

=====
Trace Report
=====

Tracing not selected.

=====
CGM Conformance Violation Report
=====

No Errors Detected

=====
CAL S CGM Profile (MIL-D-28003) Report
=====

No profile discrepancies detected.

=====
Conformance Summary Report
=====

MetaCheck Version 2.10 -- CGM/MIL-D-28003 Conformance Analyzer
Copyright 1988-93 CGM Technology Software
Execution Date: 11/16/93 Time: 11:07:19

Name of CGM under test: \93103\c002.cgm

Encoding : Binary

Pictures Examined : All

Elements Examined : All

Bytes Examined : All

BEGIN METAFILE string : >Version 5.42, COVER_cgm.sty, 11/12/9<
>3 13:19:28<

METAFILE DESCRIPTION : >Interleaf Inc. MDL/G CGM 1992 *** MI<
>L-D-28003/BASIC-1<

Picture 1 starts at octet offset 396: >COVER<

Conformance Summary : This file conforms to the CGM specification.
This file meets the CALS CGM Profile (MIL-D-28003).

Summary of Testing Performed and Errors Found:

1 Pictures Tested
278 Elements Tested
10092 Octets Tested

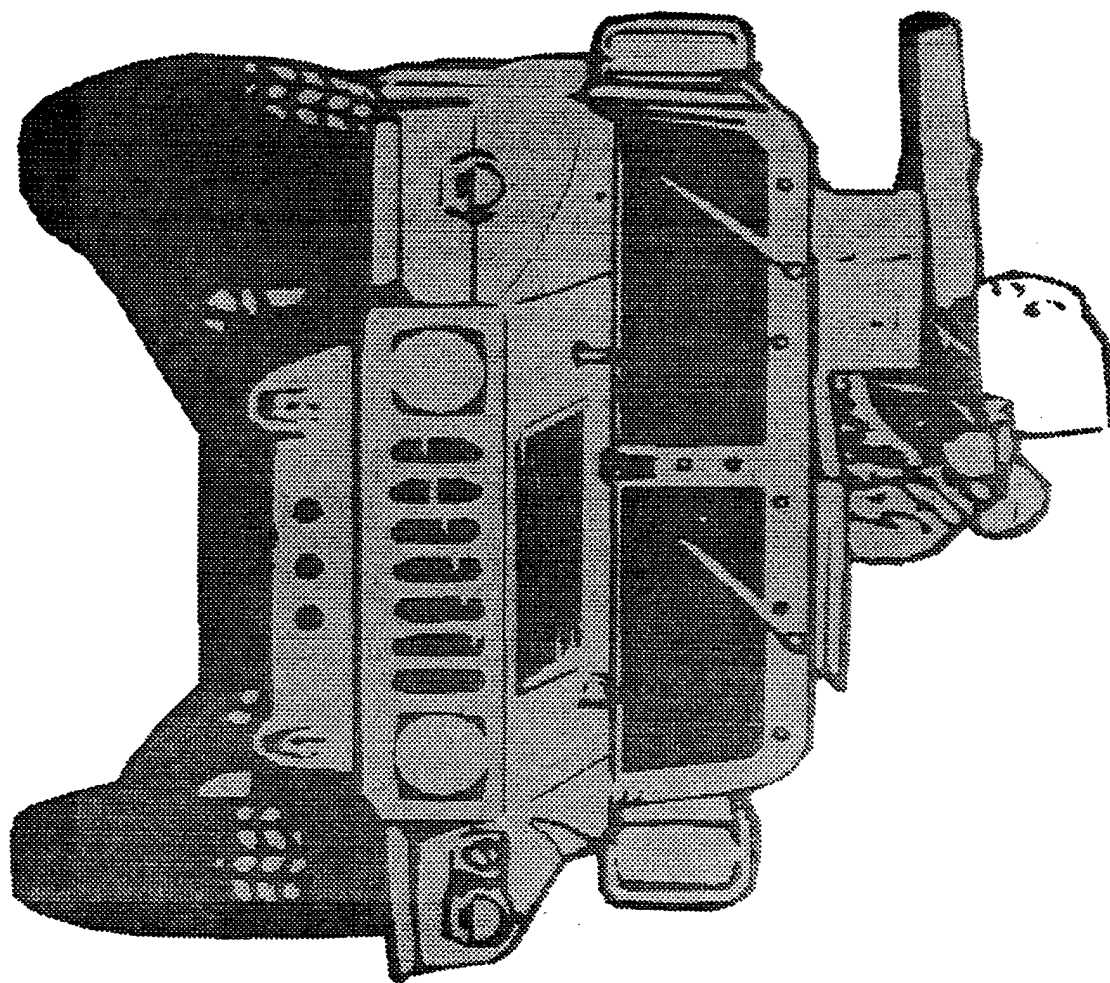
=====
| No Errors Were Detected |
=====

=====
End of Conformance Report
=====

11.2.2 Output Cadleaf



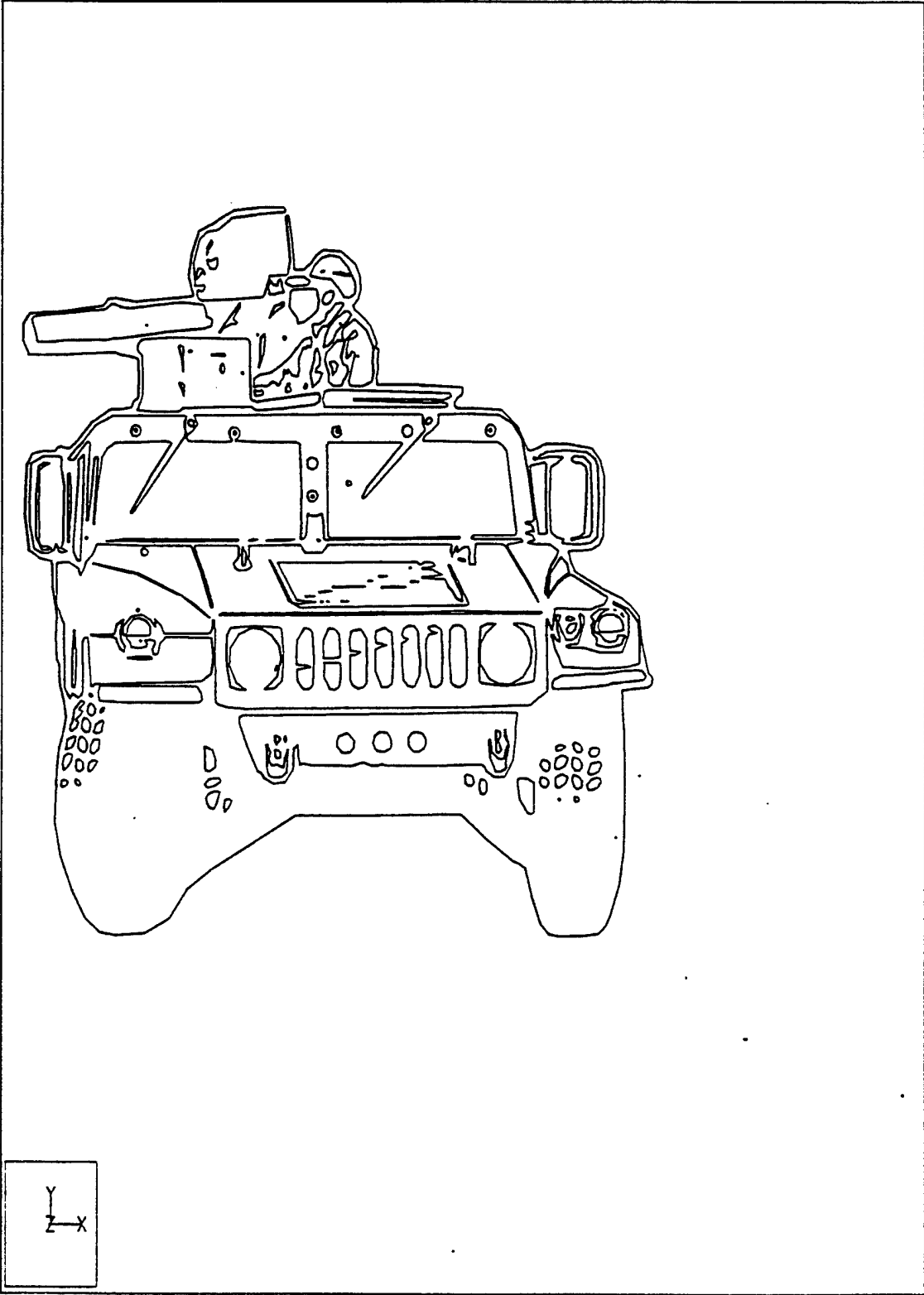
11.2.3 Output Designer



11.2.4 Output Harvard Graphics



11.2.5 Output CheckMark



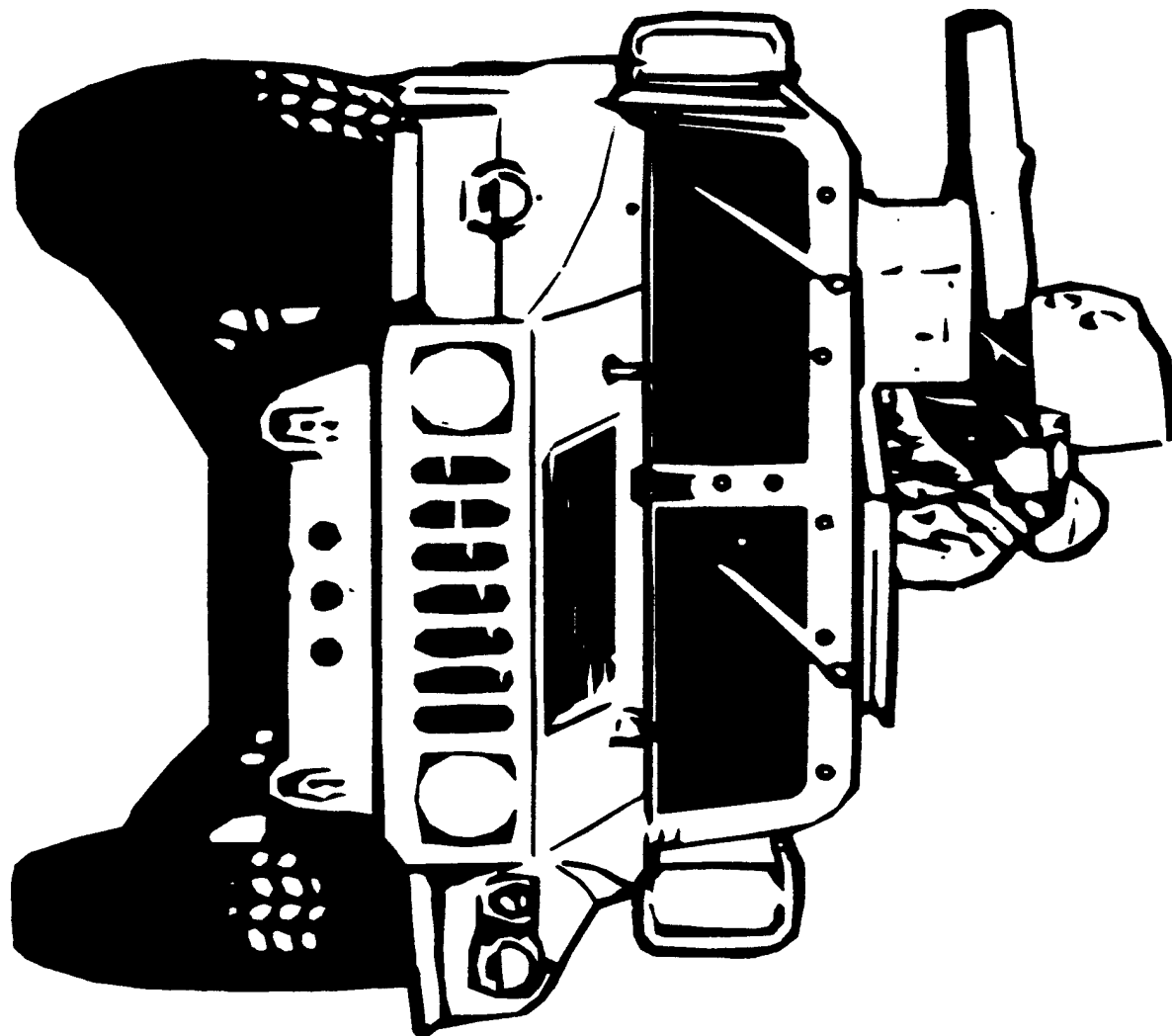
11.2.6 Output cgm2draw/IslandDraw



11.2.7 Output Ventura Publisher



11.2.8 Output Freelance



11.2.9 Output IslandDraw v4.0

