

AFCTN Test Report 94-076

AFCTB-ID
94-027



**Technical Publication Transfer
Using:**



**Texas Instruments' Data
Supporting:**



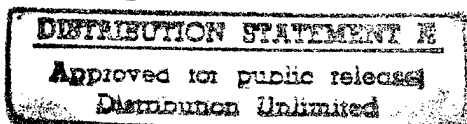
**U.S. Army Missile Command's
TOW ITAS Program**

(Contract #DAAH01-93-C-0206)



**MIL-STD-1840A
MIL-M-28001A (SGML)
MIL-D-28003 (CGM)**

Quick Short Test Report



18 April 1994

19960822 118



*Prepared for
Electronic Systems Center
Air Force CALS Program Office
HQ ESC/AV-2
4027 Colonel Glenn Hwy Suite 300
Dayton OH 45431-1672*

DTIC QUALITY INSPECTED 3

**Technical Publication Transfer Using:
Texas Instruments' Data Supporting:
U. S. Army Missile Command's TOW ITAS Program
(Contract #DAAH01-93-C-0206)**

**MIL-STD-1840A
MIL-M-28001A (SGML)
MIL-D-28003 (CGM)**

Quick Short Test Report

18 April 1994

Prepared By

Air Force CALS Test Bed
Wright-Patterson AFB, OH 45433

AFCTB Contact

Gary Lammers
(513) 427-2295

AFCTN Contact

Mel Lammers
(513) 427-2295

DTIC QUALITY INSPECTED 3

DISCLAIMER

This document was prepared as an account of the work sponsored by the Air Force. Neither the United States Government, the Air Force, nor any of their employees makes any warranty, express or implied, or assumes any legal liability or responsibility for the accuracy, completeness, or usefulness of any information, apparatus, product, or process disclosed, nor represents that its use would not infringe on privately owned rights. Reference herein to any specific commercial products, process, or service by trade name, trademark, manufacturer, or otherwise, does not necessarily constitute or imply its endorsement, recommendation, or favoring by the United States Government or the Air Force. The views and opinions of authors expressed herein do not necessarily state or reflect those of the United States Government or the Air Force, and shall not be used for advertising or product endorsement purposes.

Available to the public from the
National Technical Information Service
U.S. Department of Commerce
5285 Port Royal Road
Springfield, VA 22161

This report and those involved in its preparation do not endorse any product, process, or company stated herein. Use of these means by anyone does not imply certification by the Air Force CALS Test Network (AFCTN).

Air Force CALS Test Bed

Notification of Test Results

18 April 1994

This notice documents the results of an Air Force CALS Test Bed (AFCTB) Quick Short Test Report (QSTR) evaluation of data submitted by:

Texas Instruments

Identified as follows:

Title:	Technical Publication Transfer
Program:	TOW ITAS
Program Office:	U. S. Army Missile Command
Contract No.:	DAAH01-93-C-0206
QSTR No.:	AFCTB-ID 94-026

Received on the following media: **9-Track Tape**

The results of the QSTR evaluation are as follows:

MIL-STD-1804A Standard	Fail
MIL-STD-1840A Media Format:	Fail
MIL-D-28000A IGES:	N/A
MIL-M-28001A SGML:	Fail
MIL-R-28002A Raster:	N/A
MIL-D-28003 CGM:	Fail

Formal results with associated disclaimer are documented and available from the AFCTB.

**Air Force CALS Test Bed
HQ ESC/AV-2P
4027 Colonel Glenn Highway, Suite 300
Dayton, OH 45431-1672
Phone: 513-257-3085 FAX: 513-257-5881**

Contents

1.	Introduction.....	1
1.1.	Background.....	1
1.2.	Purpose.....	2
2.	Test Parameters.....	3
3.	1840A Analysis.....	6
3.1.	External Packaging.....	6
3.2.	Transmission Envelope.....	6
3.2.1.	Tape Formats.....	6
3.2.2.	Declaration and Header Fields.....	7
4.	IGES Analysis.....	8
5.	SGML Analysis.....	8
6.	Raster Analysis.....	9
7.	CGM Analysis.....	9
8.	Conclusions and Recommendations.....	12
9.	Appendix A - Tapetool Report Logs.....	13
9.1.	Tape Catalog.....	13
9.2.	Tape Evaluation Log.....	14
9.3.	Tape File Set Validation Log.....	15
9.4.	Other Tape Reading Logs.....	21
10.	Appendix B - Detailed SGML Analysis.....	23
10.1.	Parser Log.....	23
10.2.	Exotercia Validator.....	25

10.3.	Exoterica XGMLNormalizer Parser.....	25
10.4.	Sema Mark-it Log.....	25
11.	Appendix C - Detailed CGM Analysis.....	26
11.1.	File D001C004.....	26
11.1.1.	Parser Log MetaCheck.....	26
11.1.2.	validcgm Log.....	27
11.1.3.	Output CADLeaf.....	29
11.1.4.	Output cgm2draw/IslandDraw.....	30
11.1.5.	Output Designer.....	31
11.1.6.	Output Freelance.....	32
11.1.7.	Output Harvard Graphics.....	33
11.1.8.	Output IslandDraw v4.0.....	34
11.1.9.	Output Ventura Publisher.....	35
11.1.10.	Output X-Change.....	36
11.2.	File D001C020.....	37
11.2.1.	Parser Log MetaCheck.....	37
11.2.2.	validcgm Log.....	38
11.2.3.	Output CADLeaf.....	40
11.2.4.	Output cgm2draw/IslandDraw.....	41
11.2.5.	Output Designer.....	42
11.2.6.	Output Freelance.....	43
11.2.7.	Output Harvard Graphics.....	44
11.2.8.	Output IslandDraw v4.0.....	45
11.2.9.	Output X-Change.....	46

11.2.10.	Output Ventura Publisher.....	47
11.3.	File D002C001.....	48
11.3.1.	Parser Log MetaCheck.....	48
11.3.2.	validcgm Log.....	50
11.3.3.	Output CADLeaf.....	52
11.3.4.	Output cgm2draw/IslandDraw.....	53
11.3.5.	Output Designer.....	54
11.3.6.	Output Freelance.....	55
11.3.7.	Output Harvard Graphics.....	56
11.3.8.	Output IslandDraw v4.0.....	57
11.3.9.	Output X-Change.....	58

1. Introduction

1.1 Background

The Department of Defense (DoD) Air Force Continuous Acquisition and Life-cycle Support (CALs) Test Network (AFCTN) is conducting tests of the military standard for the Automated Interchange of Technical Information, MIL-STD-1840A, and its companion suite of military specifications. The AFCTN is a DoD sponsored confederation of voluntary participants from industry and government managed by the Electronic Systems Center (ESC).

The primary objective of the AFCTN is to evaluate the effectiveness of the CALs standards for technical data interchange and to demonstrate the technical capabilities and operational suitability of those standards. Two general categories of tests are performed to evaluate the standards; formal and informal.

Formal tests are large and comprehensive, which follow a written test plan, require specific authorization from the DoD, and may take months to prepare, execute, and report.

Informal tests are quick and short, used by the AFCTN technical staff, to broaden the testing base. They include representative samples of the many systems and applications used by AFCTN participants. They also allow the AFCTN staff to gain feedback from many industry and government interpretations of the standards, to increase the base of participation in the CALs initiative, and respond to the many requests for help that come from participants. Participants take part voluntarily, benefit by receiving an evaluation of their latest implementation (interpretation) of the standards, interact with the AFCTN technical staff, gain experience using the standards, and develop increased confidence in them. The results of informal tests are reported in Quick Short Test Reports (QSTRs) that briefly summarize the standard(s) tested, the hardware and software used, the nature of the test, and the results.

1.2 Purpose

The purpose of the informal test, reported in this QSTR, was to analyze Texas Instrument's interpretation and use of the CALS standards in transferring technical publication data. Texas Instruments used its CALS Technical Data Interchange System to produce data, in accordance with the standards, and delivered it to the AFCTN technical staff on a 9-track magnetic tape.

2. Test Parameters

Test Plan: AFCTB 94-027

Date of Evaluation: 18 April 1994

Evaluator: George Elwood
Air Force CALS Test Bed
DET 2 HQ ESC/AV-2P
4027 Colonel Glenn Hwy
Suite 300
Dayton OH 45431-1672

Data Originator: Leigh Taylor
Texas Instruments
2501 W. University
MS 8030
McKinney TX 75070
(214) 952-5239

Data Description: Technical Manual Test
2 Document Declaration files
2 Document Type Definitions (DTD)
2 Text/Standard Generalized Markup Language (SGML) files
27 Computer Graphics Metafile (CGM) files

Data Source System: 1840

HARDWARE
Sun Workstation
Hewlett Packard Tape Drive

SOFTWARE
Interleaf

Text/SGML

HARDWARE
Sun Workstation

SOFTWARE
Interleaf

CGM

HARDWARE

Sun Workstation

SOFTWARE

Interleaf

Evaluation Tools Used:

MIL-STD-1840A (TAPE)

SUN 3/280

AFCTN Tapetool v1.2.10 UNIX
XSoft CAPS/CALS v40.4

MIL-M-28001 (SGML)

HP 735

SUN SparcStation 2

ArborText ADEPT v4.2.1

PC 486/50

Exoterica XGMLNormalizer v1.2e3.2
Exoterica Validator v2.0 ex1
McAfee & McAdam Sema Mark-it v2.3

MIL-D-28003 (CGM)

HP 735

InterCAP X-Change v7.82

SGI Indigo 2

IGES Data Analysis (IDA) CALSView

SUN SparcStation 2

ArborText cgm2draw
Carberry CADLeaf Plus v3.1
Island Software IslandDraw v3.0
Island Software IslandDraw v4.0

PC 486/50

Advanced Technology Center
(ATC) *MetaCheck R 2.10*
Software Publishing Corporation
(SPC) *Harvard Graphics v3.05*
Inset Systems *HiJaak Pro*
Lotus *Freelance v2.01*
Micrografx *Designer v4.0*
Corel *Ventura Publisher*

**Standards
Tested:**

MIL-STD-1840A
MIL-M-28001A
MIL-D-28003

3. 1840A Analysis

3.1 External Packaging

The tape arrived at the Air Force CALS Test Bed (AFCTB) enclosed in a box in accordance with ASTM D 3951. The exterior of the box was marked with a magnetic tape warning label, as required by MIL-STD-1840A, para. 5.3.1.3.

The tape was enclosed in a barrier bag as required by MIL-STD-1840A, para. 5.3.1.2. Inspection of the tape reel showed the label indicating the recording density, as required by MIL-STD-1840A, para. 5.3.1. Enclosed in the box was a packing list showing all files recorded on the tape.

3.2 Transmission Envelope

The 9-track tape received by the AFCTB contained MIL-STD-1840A files. The files were named per the standard conventions.

3.2.1 Tape Formats

The tape was run through the AFCTN *Tapetool* v1.2.10 utility. No errors were encountered while evaluating the contents of the tape labels.

The tape was read using XSoft's *CAPS read1840A* utility without any reported errors in the media. Other errors were reported in the CALS headers and only one of the two documents was read off the tape.

The tapes physical structure meets the requirements defined in MIL-STD-1840A and ANSI x3.27.

3.2.2 Declaration and Header Fields

Sixty-seven errors and 110 notes were reported in the Document Declaration file and data file headers. Both document sets on the tape had similar errors.

The first error was missing data in the file count record. This record had no value indicating no data files. Both *Tapetool* and the XSoft tape utility reported this error.

filcnt:

- *** ERROR (MIL-STD-1840A; 5.1.1.2) - Value missing after Document Declaration header field.
- *** NOTE - The header record will be given the value NONE.
- *** NOTE - Correction made in new Document Declaration Header File.

Because there was no value in the filcnt record, *Tapetool* assumed product data, then generated multiple errors and notes in the rest of the files.

txtfilid: W

- *** ERROR (MIL-STD-1840A; 5.1.4.1) - Invalid 'txtfilid:' value for product data. Expected => NONE
- *** NOTE - The header record will be given the value NONE.
- *** NOTE - Correction made in new Text Header File.

The last type error was in the numbering of the files. The tape started with file D001T001, D001G001 and D001H001 followed by D001C001. The file numbers start with D001?001 and increment from there. The first CGM file should have been named D001C004.

Evaluating numbering scheme...

- *** ERROR (MIL-STD-1840A; 5.1.3) - The data files for Document D001 were not numbered properly.
- *** NOTE (MIL-STD-1840A; 5.1.3) - The first data file for a Document shall use "001" and the number shall increment sequentially for each file of the Document so that each file has a unique file name.

This portion of the tape does not meet the requirements defined in MIL-STD-1840A.

4. IGES Analysis

No Initial Graphics Exchange Specification (IGES) files were included in this evaluation.

5. SGML Analysis

The AFCTB has several parsers available for evaluating submitted DTD and text files. These tools are not used to generate a pass/fail but to report how commercially available software can handle the files. These products are used in the development of technical publications and are good indicators of usability. The use of these products is not an endorsement nor an indication of CALS capability. All operations were performed using the default settings unless specified in the report. Changes to DTD or text files required by each system are not documented in the report.

The tape contained two text files, two DTDs, and two Format Output Specification Instances (FOSIs). During the inspection of the files it was noted that the DTDs were MIL-M-38784C, Amendment C, which is the most current DTD. The text file contained the concrete syntax, the DTD listed above and the text file. It was necessary to break this file apart in order to use some of the parsers.

The text and DTD files were evaluated using the Exoterica *Validator exl* parser with no reported errors.

The text and DTD files were tested using the Exoterica *XGMLNormalizer* parser. No errors or warnings were reported in any of the SGML files.

The text and DTD files were evaluated using McAfee & McAdam's *Sema Mark-it v2.3* parser. No errors or warnings were reported in any of the SGML files.

The text file was imported into ArborText's *Adept* software. File 9427-1 DTD parsed without a reported error. The included FOSI had an error that caused the system to report a segmentation fault. File set 9427-2 DTD and the FOSI parsed without a reported error. When importing the document into the publisher, an error was reported in the file with the "tfoot" and "thead" tags.

According to Chris Moffett of ArborText, Inc., "This (or These) warning(s) may be due to a syntax error in the DTD."

The DTD and text files parsed without a reported error through several commercial parsers. The FOSI in the first document set would not parse while the second document set parsed without a reported error. A problem occurred during an attempt to publish. The SGML files do not meet the CALS MIL-M-28001A specification.

6. Raster Analysis

No Raster files were included in this evaluation.

7. CGM Analysis

The tape contained 27 CGM files. The files were evaluated using ATC's *MetaCheck* with CALS options. Files D001C005, C013 and D002C001 reported basic CGM errors. These errors kept these files from meeting the CALS MIL-D-28003 specification.

The CGM files were evaluated using the beta AFCTN *validcgm* utility. This utility reported errors in all files. Note, this utility is a beta test and not used for pass/fail.

The AFCTB has several tools for viewing CGM files. These tools are not used to generate a pass/fail but to report how commercially available software can handle the files. Many of these products are used in the development of technical publications and are good indicators of usability. The use of these products is not an endorsement nor an indication of CALS capability. All operations were performed using the default settings.

All files were viewed using at least three difference software tools. Because of the number of files submitted, not all files were evaluated using all available tools. Files D001C004 (C104), D001C020 (C120), and D002C001 (C201) were selected for detailed inspection.

The CGM files were converted using ArborText's *cgm2draw* utility. File C201 had two degraded primitives reported.

The resulting files were read into Island Software's *IslandDraw v3.1*, displayed and printed. All files displayed errors. Typical of files generated using Interleaf CGM tools, some entities were flipped 180 degrees vertically. These circle and oval entities are displayed along the top of the image. A font change in file C120 resulted in a script font being used by some text.

According to Chris Moffett of ArborText, Inc. "This (or These) problem(s) may be due {to} the method in which the original file was generated."

All files were read into Carberry's *CADLeaf* software and displayed. No errors were reported during this process. The resulting images appeared to be correct with no noted errors.

The files were read into IDA's *CALSVIEW*. File C201 had reported geometric errors. The other files displayed correctly.

The files were imported into Micrografx's *Designer* without a reported error. File C104 had missing lines. An oval entity was noted in the upper top of the paper. The light output is the result of the color. File C120 appeared to be complete. File C201 had several missing entities and was unusable.

According to Michael Harrison of Micrografx, Inc., "Micrografx is aware of the problems associated with reading these files and is working on a solution to be implemented in a future release of our products."

The files were imported into Lotus' *Freelance* and displayed with no reported errors in any of the three selected files.

The files were imported into SPC's *Harvard Graphics v3.05* with a reported line style error for file C201. The files appear to be complete and correct with the exception of some minor distortion in file C201.

While trying to read the files into Inset Systems' *HiJaak Pro*, a real precision error was reported on all three files. Nothing displayed.

The files were imported directly into Island Software's *IslandDraw v4.0* without a reported error. File C201 had some minor added lines noted.

The files were read into InterCAP's *X-Change* without a reported error. File C120 had the font changed in some text to script.

The files were imported into Corel's *Ventura Publisher* without a reported error with the exception of C201. This file would not import and an error was generated. The dotted lines in file C104 were displayed as solid.

Because of the reported errors in file C105, C113 and C201, the files do not meet the specification defined in MIL-D-28003.

8. Conclusions and Recommendations

The tape from Texas Instruments had errors in the CALS document declaration file. The filcnt record had no value. Additionally, the files were not numbered per the MIL-STD-1840A requirements. The physical tape structure does not meet the CALS MIL-STD-1840A requirements.

The SGML files parsed without a reported error using several commercial products. Document set one would not compile on the ArborText system because of errors in the FOSI. Using the included ArborText FOSI, Document Set two compiled, but it contained an error in the "tfoot" which kept it from being published. The first six pages were displayed correctly. The SGML files do not meet the MIL-M-28001A specification due to the problem with the FOSI.

Three of the 27 CGM files reported basic CGM errors. For this reason, the CGM files do not meet the CALS MIL-D-28003 specification.

The tape does not meet the CALS MIL-STD-1840A requirements, due to the errors in the SGML and CGM files, and the physical tape structure.

9. Appendix A - Tapetool Report Logs

9.1 Tape Catalog

CALS Test Network Catalog Evaluation - Version 1.2; Release 10 (C)

Standards referenced:

MIL-STD-1840A (1987) - Automated Interchange of Technical Information

ANSI X3.27 (1987) - File Structure and labeling of Magnetic Tapes
for Information Interchange

ANSI X3.4 (1986) - Coded Character Sets - 7 Bit ASCII

Thu Apr 7 07:15:17 1994

MIL-STD-1840A File Catalog

File Set Directory: /cals/u1210/Set059

Page: 1

File Name	File Type	Record Format/ Length	Block Length/Total	Selected/ Extracted
D001	Document Declaration	D/00260	02048/000001	Extracted
D001T001	Text	D/00260	02048/000071	Extracted
D001G002	DTD	D/00260	02048/000016	Extracted
D001H003	Output Specification	D/00260	02048/000043	Extracted
D001C001	CGM	F/00080	00800/000005	Extracted

<<<< PART OF LOG FILE REMOVED HERE >>>>

D001C022	CGM	F/00080	00800/000004	Extracted
D001C023	CGM	F/00080	00800/000004	Extracted
D002	Document Declaration	D/00260	02048/000001	Extracted
D002T001	Text	D/00260	02048/000050	Extracted
D002G002	DTD	D/00260	02048/000016	Extracted
D002H003	Output Specification	D/00260	02048/000085	Extracted
D002C001	CGM	F/00080	00800/000110	Extracted
D002C002	CGM	F/00080	00800/000002	Extracted

Catalog Process terminated normally.

9.2 Tape Evaluation Log

CALS Test Network Tape Evaluation - Version 1.2; Release 10 (C)

Standards referenced:

ANSI X3.27 (1987) - File Structure and labeling of Magnetic Tapes
for Information Interchange

ANSI X3.4 (1986) - Coded Character Sets - 7 Bit ASCII

Thu Apr 7 07:14:30 1994

ANSI Tape Import Log

Allocating tape drive /dev/rmt0...

/dev/rmt0 allocated.

VOL1CAL501

4

Label Identifier: VOL1
Volume Identifier: CAL501
Volume Accessibility:
Owner Identifier:
Label Standard Version: 4

HDR1D001 CAL50100010001000100 94086 00000 000000ILEAF VER 1.7

Label Identifier: HDR1
File Identifier: D001
File Set Identifier: CAL501
File Section Number: 0001
File Sequence Number: 0001
Generation Number: 0001
Generation Version Number: 00
Creation Date: 94086
Expiration Date: 00000
File Accessibility:
Block Count: 000000
Implementation Identifier: ILEAF VER 1.7

<<<<< PART OF LOG FILE REMOVED HERE >>>>>

End of Volume CAL501 #####
End Of Tape File Set

Deallocating /dev/rmt0...

Tape Import Process terminated normally.

9.3 Tape File Set Validation Log

CALS Test Network File Set Evaluation - Version 1.2; Release 10 (C)

Standards referenced:

MIL-STD-1840A (1987) - Automated Interchange of Technical Information

Thu Apr 7 07:15:18 1994

MIL-STD-1840A File Set Evaluation Log

File Set: Set059

Found file: D001

Extracting Document Declaration Header Records...

Evaluating Document Declaration Header Records...

srcsys: Interleaf Inc., Waltham, Ma.

srcdocid: TM 9-XXXX-XXX-12

srcrelid: OPERATOR MAINTENANCE MANUAL

chglvl: ORIGINAL

dteis: 19940328

dstsys: MICOM - ArborText

dstdocid: TM 9-XXXX-XXX-12

dstrelid: TBD

dtetrm: 19940228

dlvacc: ITAS; DAAH01-93-C-0206; A059

filcnt:

*** ERROR (MIL-STD-1840A; 5.1.1.2) - Value missing after Document Declaration header field.

*** NOTE - The header record will be given the value NONE.

*** NOTE - Correction made in new Document Declaration Header File.

ttlcls: Unclass

doccls: Unclass

doctyp: TECHNICAL MANUAL

docttl: OPERATOR AND ORGANIZATIONAL MAINTENANCE

1 error(s), 0 warning(s), and 2 note(s) were encountered in Document Declaration File D001.

Found file: D001T001

Extracting Text Header Records...

Evaluating Text Header Records...

srcdocid: TM 9-XXXX-XXX-12
dstdocid: TM 9-XXXX-XXX-12
txtfilid: W
*** ERROR (MIL-STD-1840A; 5.1.4.1) - Invalid 'txtfilid:' value for
product data. Expected => NONE
*** NOTE - The header record will be given the value NONE.
*** NOTE - Correction made in new Text Header File.
doccls: Unclass
notes: ITAS Operator and Organizational Maintenance Manual; Texas Instruments

1 error(s), 0 warning(s), and 2 note(s) were encountered
in Text File D001T001.

Saving Text Header File: D001T001_HDR
Saving Text Data File: D001T001_TXT

Found file: D001G002
Extracting DTD Header Records...
Evaluating DTD Header Records...

srcdocid: TM 9-XXXX-XXX-12
dstdocid: TM 9-XXXX-XXX-12
notes: Interleaf DTD

Saving DTD Header File: D001G002_HDR
Saving DTD Data File: D001G002_DTD

Found file: D001H003
Extracting Output Specification Header Records...
Evaluating Output Specification Header Records...

srcdocid: TM 9-XXXX-XXX-12
dstdocid: TM 9-XXXX-XXX-12
notes: FOSI Included with Interleaf.

Saving Output Specification Header File: D001H003_HDR
Saving Output Specification Data File: D001H003_OS

Found file: D001C001
Extracting CGM Header Records...
Evaluating CGM Header Records...

srcdocid: TM 9-XXXX-XXX-12
dstdocid: TM 9-XXXX-XXX-12
txtfilid: W
*** ERROR (MIL-STD-1840A; 5.1.4.5) - Invalid 'txtfilid:' value for
product data. Expected => NONE
*** NOTE - The header record will be given the value NONE.
*** NOTE - Correction made in new CGM Header File.

figid: 01
srcgph: LAUNCHER
*** ERROR (MIL-STD-1840A; 5.1.4.5) - Invalid 'srcgph:' value for
product data. Expected => NONE
*** NOTE - The header record will be given the value NONE.
*** NOTE - Correction made in new CGM Header File.
doccls: Unclass
notes: Launch tube

2 error(s), 0 warning(s), and 4 note(s) were encountered
in CGM File D001C001.

Saving CGM Header File: D001C001_HDR
Saving CGM Data File: D001C001_CGM

<<<< PART OF LOG FILE REMOVED HERE >>>>

Evaluating numbering scheme...

*** ERROR (MIL-STD-1840A; 5.1.3) - The data files for Document D001
were not numbered properly.

*** NOTE (MIL-STD-1840A; 5.1.3) - The first data file for a
Document shall use "001" and the number shall increment
sequentially for each file of the Document so that each
file has a unique file name.

Renumbering data files...

Updating Map File for Document D001

*** NOTE - 3 file(s) were renumbered.

Numbering scheme evaluation complete.

Checking file count...

*** ERROR (MIL-STD-1840A; 5.1.1.2) - Actual CGM File Count does
not match filcnt record. Actual => 23, Expected => 0.

*** ERROR (MIL-STD-1840A; 5.1.1.2) - Actual DTD File Count does
not match filcnt record. Actual => 1, Expected => 0.

*** ERROR (MIL-STD-1840A; 5.1.1.2) - Actual Output Specification File Count does
not match filcnt record. Actual => 1, Expected => 0.

*** ERROR (MIL-STD-1840A; 5.1.1.2) - Actual Text File Count does
not match filcnt record. Actual => 1, Expected => 0.

*** NOTE - Correction made in new Document Declaration header file.

4 error(s) were encountered during file count verification.

File Count verification complete.

A total of 57 error(s), 0 warning(s), and 98 note(s) were
encountered in Document D001.

Found file: D002

Extracting Document Declaration Header Records...

Evaluating Document Declaration Header Records...

srcsys: Interleaf Inc., Waltham, Ma.
srcdocid: TM 9-XXXX-XXX-30
srcrelid: PRELIMINARY DS MAINTENANCE
chglvl: ORIGINAL
dteisu: 19940325
dstsys: MICOM - ArborText
dstdocid: TM 9-XXXX-XXX-30 (soon to be -34)
dstrelid: TBD
dtetrm: 19910816
dlvacc: ITAS; DAAH01-93-C-0206; A059
filcnt: NONE
ttlcls: Unclass
doccls: Unclass
doctyp: TECHNICAL MANUAL
docttl: DIRECT SUPPORT MAINTENANCE MANUAL

Found file: D002T001
Extracting Text Header Records...
Evaluating Text Header Records...

srcdocid: TM 9-XXXX-XXX-30
dstdocid: TM 9-XXXX-XXX-30
txtfilid: W
*** ERROR (MIL-STD-1840A; 5.1.4.1) - Invalid 'txtfilid:' value for
product data. Expected => NONE
*** NOTE - The header record will be given the value NONE.
*** NOTE - Correction made in new Text Header File.
doccls: Unclass
notes: This document will be combined with the -40 to make a -34 TM

1 error(s), 0 warning(s), and 2 note(s) were encountered
in Text File D002T001.
Saving Text Header File: D002T001_HDR
Saving Text Data File: D002T001_TXT

Found file: D002G002
Extracting DTD Header Records...
Evaluating DTD Header Records...

srcdocid: TM 9-XXXX-XXX-30
dstdocid: TM 9-XXXX-XXX-30
notes: Interleaf 38784C DTD

Saving DTD Header File: D002G002_HDR
Saving DTD Data File: D002G002_DTD

Found file: D002H003
Extracting Output Specification Header Records...
Evaluating Output Specification Header Records...

srcdocid: TM 9-XXXX-XXX-30
dstdocid: TM 9-XXXX-XXX-30
notes: ArborText FOSI, copied from 38784C-901012.fos, replaced contents of
Interleaf FOSI

Saving Output Specification Header File: D002H003_HDR
Saving Output Specification Data File: D002H003_OS

Found file: D002C001
Extracting CGM Header Records...
Evaluating CGM Header Records...

srcdocid: TM 9-XXXX-XXX-30
dstdocid: TM 9-XXXX-XXX-30
txtfilid: W
*** ERROR (MIL-STD-1840A; 5.1.4.5) - Invalid 'txtfilid:' value for
product data. Expected => NONE
*** NOTE - The header record will be given the value NONE.
*** NOTE - Correction made in new CGM Header File.
figid: 01
srcgph: ITAS1
*** ERROR (MIL-STD-1840A; 5.1.4.5) - Invalid 'srcgph:' value for
product data. Expected => NONE
*** NOTE - The header record will be given the value NONE.
*** NOTE - Correction made in new CGM Header File.
doccls: Unclass
notes: ITAS with Launch Tube & Tripod

2 error(s), 0 warning(s), and 4 note(s) were encountered
in CGM File D002C001.

Saving CGM Header File: D002C001_HDR
Saving CGM Data File: D002C001_CGM

<<<< PART OF LOG FILE REMOVED HERE >>>>

Evaluating numbering scheme...
*** ERROR (MIL-STD-1840A; 5.1.3) - The data files for Document D002
were not numbered properly.
*** NOTE (MIL-STD-1840A; 5.1.3) - The first data file for a
Document shall use "001" and the number shall increment
sequentially for each file of the Document so that each
file has a unique file name.
Renumbering data files...
Updating Map File for Document D002

*** NOTE - 3 file(s) were renumbered.
Numbering scheme evaluation complete.

Checking file count...

*** ERROR (MIL-STD-1840A; 5.1.1.2) - Actual CGM File Count does not match filcnt record. Actual => 2, Expected => 0.
*** ERROR (MIL-STD-1840A; 5.1.1.2) - Actual DTD File Count does not match filcnt record. Actual => 1, Expected => 0.
*** ERROR (MIL-STD-1840A; 5.1.1.2) - Actual Output Specification File Count does not match filcnt record. Actual => 1, Expected => 0.
*** ERROR (MIL-STD-1840A; 5.1.1.2) - Actual Text File Count does not match filcnt record. Actual => 1, Expected => 0.
*** NOTE - Correction made in new Document Declaration header file.
4 error(s) were encountered during file count verification.
File Count verification complete.

A total of 10 error(s), 0 warning(s), and 12 note(s) were encountered in Document D002.

A grand total of 67 error(s), 0 warning(s), and 110 note(s) were encountered in this File Set.

MIL-STD-1840A File Set Evaluation Complete.

9.4 Other Tape Reading Logs

```
/cals/caps/Bin/read1840A: --- Read declaration file 'D001 ' ---  
/cals/caps/Bin/read1840A: writing data file '94027/TM9-XXXX-XXX-12/  
W.T.sgm'.  
/cals/caps/Bin/read1840A: writing data file '94027/TM9-XXXX-XXX-12/  
TM9XXXXXXXX12.G.dtd'.  
/cals/caps/Bin/read1840A: writing data file '94027/TM9-XXXX-XXX-12/  
TM9XXXXXXXX12.H.out'.  
/cals/caps/Bin/read1840A: writing data file '94027/TM9-XXXX-XXX-12/  
LAUNCHER.C.cgm'.  
/cals/caps/Bin/read1840A: writing data file '94027/TM9-XXXX-XXX-12/  
MISSILE.C.cgm'.  
/cals/caps/Bin/read1840A: writing data file '94027/TM9-XXXX-XXX-12/  
TAS.C.cgm'.  
/cals/caps/Bin/read1840A: writing data file '94027/TM9-XXXX-XXX-12/  
FCS.C.cgm'.  
/cals/caps/Bin/read1840A: writing data file '94027/TM9-XXXX-XXX-12/  
TU.C.cgm'.  
/cals/caps/Bin/read1840A: writing data file '94027/TM9-XXXX-XXX-12/  
BPS.C.cgm'.  
/cals/caps/Bin/read1840A: writing data file '94027/TM9-XXXX-XXX-12/  
AIM.C.cgm'.  
/cals/caps/Bin/read1840A: writing data file '94027/TM9-XXXX-XXX-12/  
FIRE.C.cgm'.  
/cals/caps/Bin/read1840A: writing data file '94027/TM9-XXXX-XXX-12/  
GUIDE.C.cgm'.  
/cals/caps/Bin/read1840A: writing data file '94027/TM9-XXXX-XXX-12/  
CORRECT.C.cgm'.  
/cals/caps/Bin/read1840A: writing data file '94027/TM9-XXXX-XXX-12/  
IRDETECT.C.cgm'.  
/cals/caps/Bin/read1840A: writing data file '94027/TM9-XXXX-XXX-12/  
TRIPOD.C.cgm'.  
/cals/caps/Bin/read1840A: writing data file '94027/TM9-XXXX-XXX-12/  
TU.C.cgm'.  
/cals/caps/Bin/read1840A: writing data file '94027/TM9-XXXX-XXX-12/  
handgrip.C.cgm'.  
/cals/caps/Bin/read1840A: writing data file '94027/TM9-XXXX-XXX-12/  
FCSCONT.C.cgm'.  
/cals/caps/Bin/read1840A: writing data file '94027/TM9-XXXX-XXX-12/  
TAS1.C.cgm'.  
/cals/caps/Bin/read1840A: writing data file '94027/TM9-XXXX-XXX-12/  
BPS.C.cgm'.  
/cals/caps/Bin/read1840A: writing data file '94027/TM9-XXXX-XXX-12/  
decals.C.cgm'.  
/cals/caps/Bin/read1840A: writing data file '94027/TM9-XXXX-XXX-12/  
move.C.cgm'.
```

```
/cals/caps/Bin/read1840A: writing data file '94027/TM9-XXXX-XXX-12/  
RANG1FT.C.cgm'.  
/cals/caps/Bin/read1840A: writing data file '94027/TM9-XXXX-XXX-12/  
RANG2FT.C.cgm'.  
/cals/caps/Bin/read1840A: writing data file '94027/TM9-XXXX-XXX-12/  
RANG1M.C.cgm'.  
/cals/caps/Bin/read1840A: writing data file '94027/TM9-XXXX-XXX-12/  
RANG2M.C.cgm'.  
-- declaration file indicates 0 files of type T  
-- declaration file indicates 0 files of type G  
-- declaration file indicates 0 files of type H  
-- declaration file indicates 0 files of type Q  
-- declaration file indicates 0 files of type R  
-- declaration file indicates 0 files of type C  
-- declaration file indicates 0 files of type X  
-- declaration file indicates 0 files of type P  
-- declaration file indicates 0 files of type Z  
*** WARNING: Declaration file indicates 0 SGML files, but tape contains 1 files.  
*** WARNING: Declaration file indicates 0 DTD files, but tape contains 1 files.  
*** WARNING: Declaration file indicates 0 Output Specification files, but tape  
contains 1 files.  
*** WARNING: Declaration file indicates 0 CGM files, but tape contains 23 files.
```

10. Appendix B - Detailed SGML Analysis

10.1 Parser Log

SGML Document Type Definition Parser
An SGML System Conforming to
International Standard ISO 8879
Standard Generalized Markup Language

Log file: '9427-1.LOG'
SDO File: 'ctndocl.sdo'
Namecase General is yes.
Namecase Entity is no.
Parsing DTD file: '9427-1.dtd'
Parsing DOCTYPE DOC

DTD0096: The generic ID SHORTTITLE has not been used in any content
model, inclusion, or as a doctype element.
This DTD conforms to the ISO 8879 standard

DTO file '9427-1.DTO' created

closing statistics:
Capacity points: 56072
Bytes of DTO file string space: 18083
SGML descriptor blocks: 5865

Document Type Definition is compliant and parsed normally.

Program status code: 0.

IPA0108: *** SGML Instance Parser Log File ***
Source Document File: '\xgml\9427-1.txt'.
Job File: '9427-1.jbf'.
DTD File: ''.
SGML Declaration File: ''.

Reading File '9427-1.jbf', File Type 'JOB FILE'.

Concrete Syntax Settings In Effect For This Parse:

NAMECASE GENERAL: YES.
NAMECASE ENTITY: NO.
NAMELEN: 32.
SHORTTAG: YES.

Closed '9427-1.jbf', File Type 'JOB FILE'.

Reading File '\xgml\9427-1.txt', File Type 'DIRECT INPUT FILE'.

--> Scanned Up To Line 100 In \xgml\9427-1.txt.
--> Scanned Up To Line 200 In \xgml\9427-1.txt.
--> Scanned Up To Line 300 In \xgml\9427-1.txt.
--> Scanned Up To Line 400 In \xgml\9427-1.txt.
--> Scanned Up To Line 500 In \xgml\9427-1.txt.
--> Scanned Up To Line 600 In \xgml\9427-1.txt.
--> Scanned Up To Line 700 In \xgml\9427-1.txt.
--> Scanned Up To Line 800 In \xgml\9427-1.txt.
--> Scanned Up To Line 900 In \xgml\9427-1.txt.
--> Scanned Up To Line 1000 In \xgml\9427-1.txt.
--> Scanned Up To Line 1100 In \xgml\9427-1.txt.
--> Scanned Up To Line 1200 In \xgml\9427-1.txt.
--> Scanned Up To Line 1300 In \xgml\9427-1.txt.
--> Scanned Up To Line 1400 In \xgml\9427-1.txt.
--> Scanned Up To Line 1500 In \xgml\9427-1.txt.
--> Scanned Up To Line 1600 In \xgml\9427-1.txt.
--> Scanned Up To Line 1700 In \xgml\9427-1.txt.
--> Scanned Up To Line 1800 In \xgml\9427-1.txt.
--> Scanned Up To Line 1900 In \xgml\9427-1.txt.

Closed '\xgml\9427-1.txt', File Type 'DIRECT INPUT FILE'.

Document Parsed Successfully, No Errors or Warnings.

10.2 Exotercia Validator

9427-1

```
<!-- **Warning**:  
  An element with mixed content should permit data characters ("#PCDATA") in  
  all parts of its content model.  
  The element being declared is "ENTRY".  
  superscript | extref | dataiden )+) | (warning?, caution?, note?) | (seqlist  
-->  
<!-- **Warning** in "9427-1.txt", line 1:  
  An element is not allowed in the document instance because it does not  
  appear in any accessible content model or it is completely excluded.  
  The element is "SHORTTITLE".  
-->  
<!-- **Warning** in "9427-1.txt", line 1:  
  There is no element with an IDREF or IDREFS attribute value equal to a  
  specified ID value.  
  The unreferenced ID attribute value is "APPB".  
-->  
<!-- 3 warnings reported. -->
```

9427-2

```
<!-- **Warning**:  
  An element with mixed content should permit data characters ("#PCDATA") in  
  all parts of its content model.  
  The element being declared is "ENTRY".  
  superscript | extref | dataiden )+) | (warning?, caution?, note?) | (seqlist  
-->  
<!-- **Warning** in "9427-2.sgm", line 1:  
  An element is not allowed in the document instance because it does not  
  appear in any accessible content model or it is completely excluded.  
  The element is "SHORTTITLE".  
-->  
<!-- 2 warnings reported. -->
```

10.3 Exoterica XGMLNormalizer Parser

No reported errors or warnings.

10.4 Sema Mark-it Log

No reported errors or warnings.

11. Appendix C - Detailed CGM Analysis

11.1 File D001C004

11.1.1 Parser Log MetaCheck

MetaCheck Version 2.05 -- CGM/MIL-D-28003 Conformance Analyzer
Copyright 1988-91 CGM Technology Software
Execution Date: 04/16/94 Time: 13:25:13

Metafile Examined : i:\94027\c104.cgm

Pictures Examined : All
Elements Examined : All
Bytes Examined : All

=====
Trace Report
=====

Tracing not selected.

=====
CGM Conformance Violation Report
=====

No Errors Detected

=====
CALC CGM Profile (MIL-D-28003) Report
=====

No profile discrepancies detected.

=====
Conformance Summary Report
=====

MetaCheck Version 2.05 -- CGM/MIL-D-28003 Conformance Analyzer
Copyright 1988-91 CGM Technology Software
Execution Date: 04/16/94 Time: 13:25:14

Name of CGM under test: i:\94027\c104.cgm
Encoding : Binary

Pictures Examined : All
Elements Examined : All
Bytes Examined : All

BEGIN METAFILE string : "Version 5.42, FCS_cgm.sty, 03/28/94 11:03:59"
METAFILE DESCRIPTION : "Interleaf Inc. MDL/G CGM 1992 ***
MIL-D-28003/BASIC-1"

Picture 1 starts at octet offset 394; string contains: "FCS"

Conformance Summary : This file conforms to the CGM specification.
This file meets the CALS CGM Profile (MIL-D-28003).

Summary of Testing Performed and Errors Found:

1 Pictures Tested
1859 Elements Tested
25756 Octets Tested

```
=====
|   No Errors Were Detected   |
=====
```

===== End of Conformance Report =====

11.1.2 validcgm Log

Analysis for file c104.cgm using table table

ERROR: invalid times used per CGM (2), std B

ERROR: invalid times used per Picture (2), std B

(14, 262) (1, 12, 12) Metafile Defaults Replacement

ERROR: illegal in this state (2), std B

ERROR: required precursor (0, 3) not yet seen

(14.1, 0) (2, 6, 8) VDC Extent (0, 0) (32767, 32767)

ERROR: invalid times used per CGM (3), std B

ERROR: invalid times used per Picture (3), std B

(15, 278) (1, 12, 6) Metafile Defaults Replacement

ERROR: illegal in this state (2), std B

ERROR: required precursor (0, 4) not yet seen

(15.1, 0) (5, 11, 2) Text Precision Stroke

(0, 1) occurred 1 time

(0, 2) occurred 1 time

(0, 3) occurred 1 time

(0, 4) occurred 1 time

(0, 5) occurred 1 time

(1, 1) occurred 1 time

(1, 2) occurred 1 time

(1, 3) occurred 1 time

(1, 4) occurred 1 time

(1, 5) occurred 1 time

(1, 6) occurred 1 time

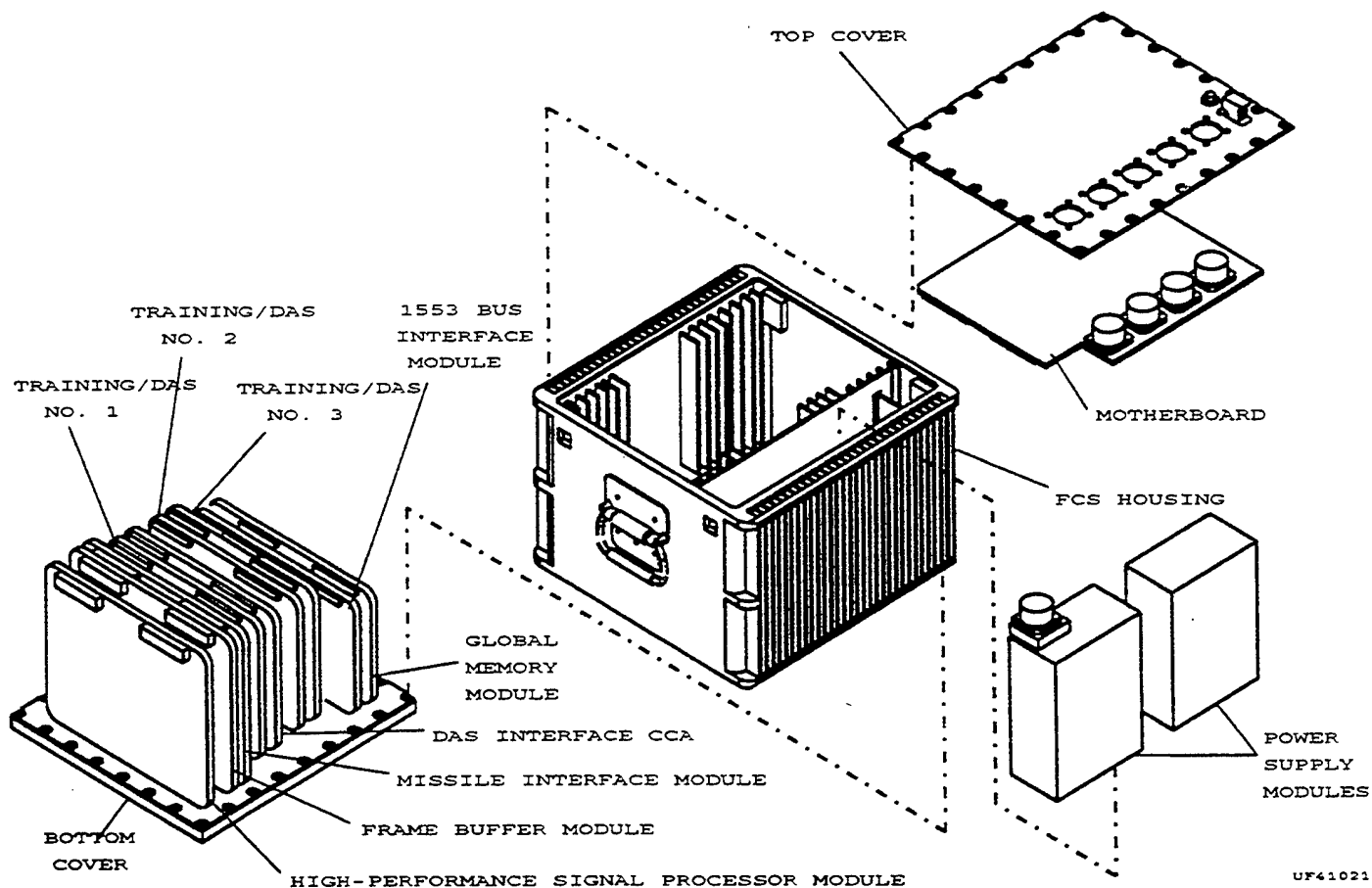
(1, 7) occurred 1 time

(1, 8) occurred 1 time

(1, 9) occurred 1 time

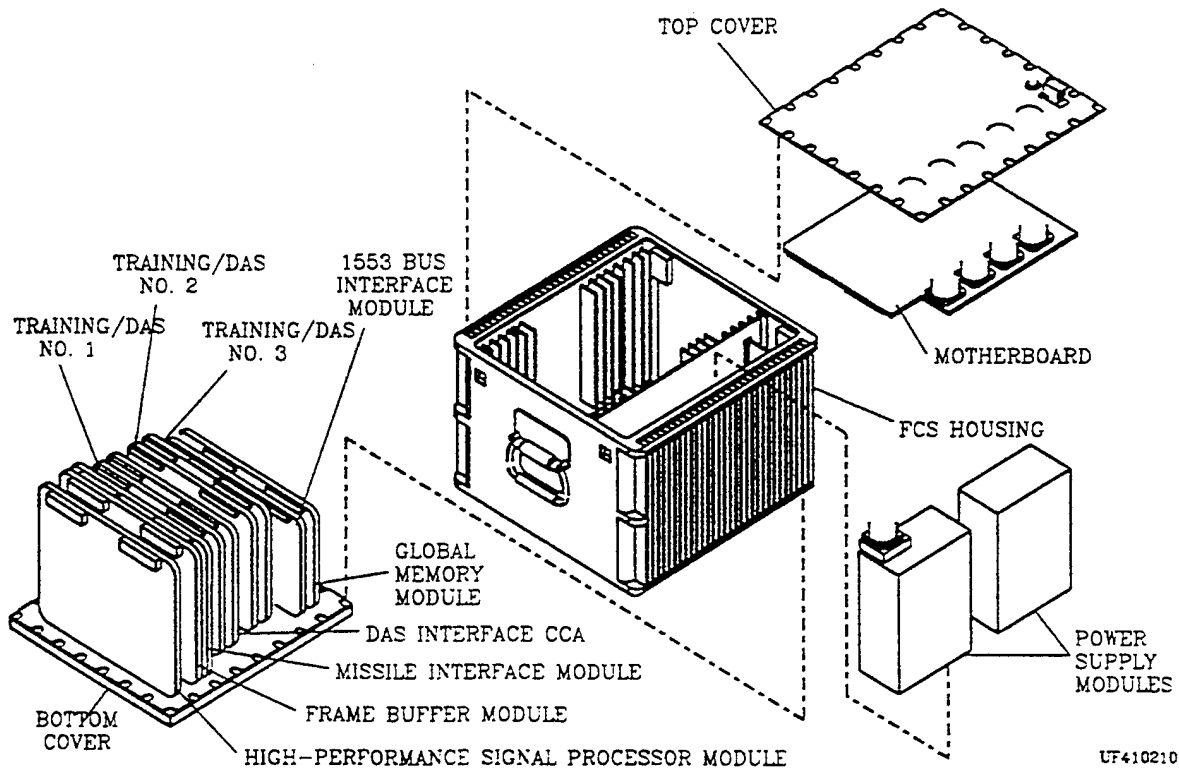
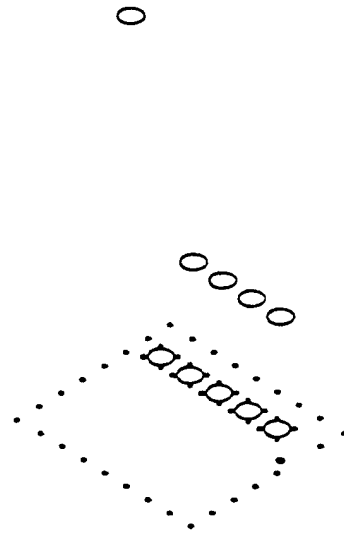
(1, 10) occurred 1 time
(1, 11) occurred 1 time
(1, 12) occurred 3 times
(1, 12) occurred illegally 2 times
(1, 13) occurred 1 time
(1, 15) occurred 1 time
(2, 1) occurred 1 time
(2, 2) occurred 1 time
(2, 3) occurred 1 time
(2, 4) occurred 1 time
(2, 5) occurred 1 time
(2, 6) occurred 2 times
(2, 6) occurred illegally 1 time
(2, 7) occurred 1 time
(3, 1) occurred 1 time
(4, 1) occurred 1476 times
(4, 4) occurred 25 times
(4, 7) occurred 8 times
(4, 17) occurred 81 times
(4, 18) occurred 217 times
(5, 2) occurred 4 times
(5, 3) occurred 2 times
(5, 4) occurred 1 time
(5, 11) occurred 1 time
(5, 11) occurred illegally 1 time
(5, 14) occurred 1 time
(5, 15) occurred 3 times
(5, 16) occurred 3 times
(5, 18) occurred 1 time
(5, 23) occurred 3 times
(5, 28) occurred 1 time
(5, 29) occurred 1 time
(5, 30) occurred 3 times
(5, 34) occurred 1 time

11.1.3 Output CADLeaf



UF41021009

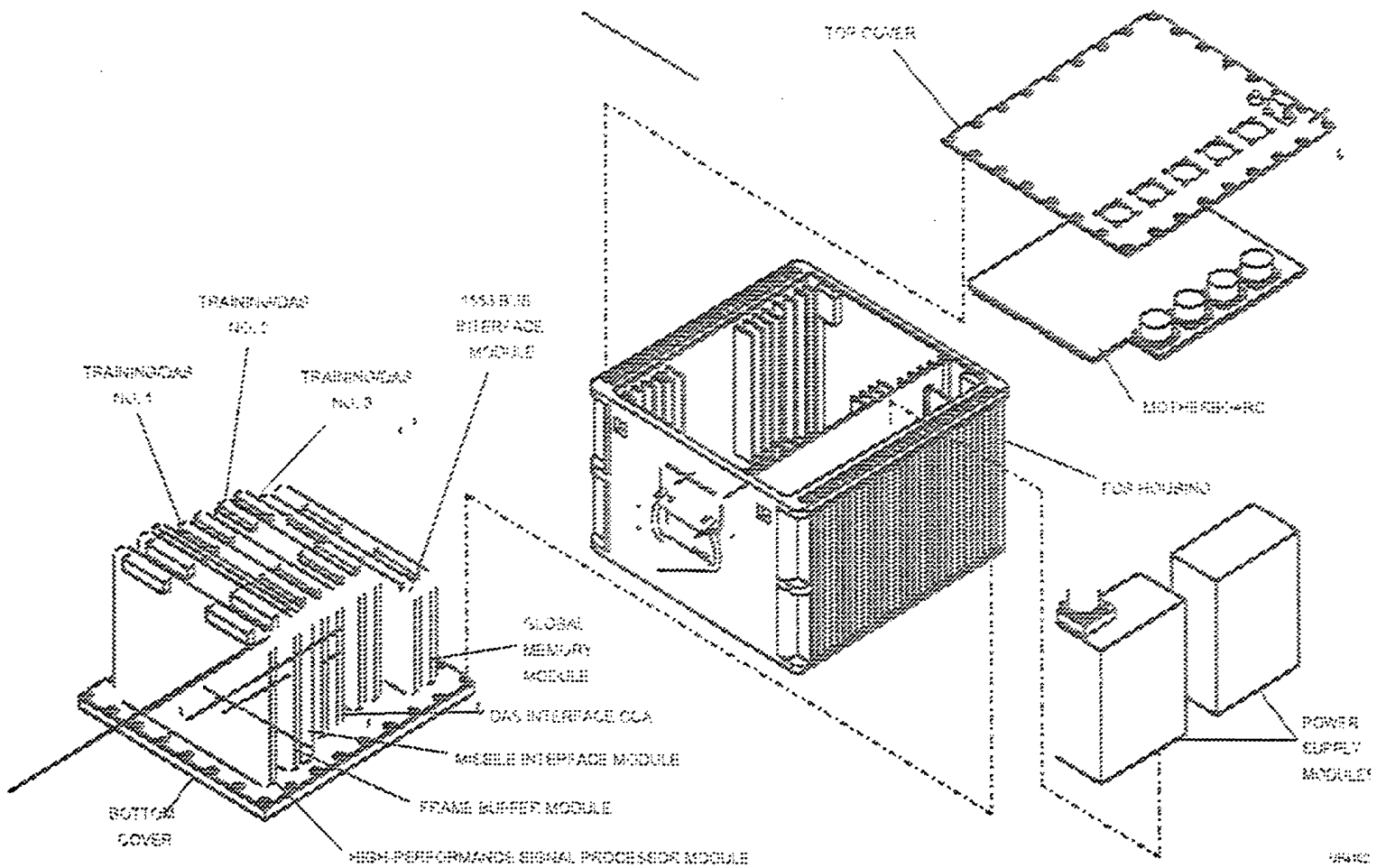
11.1.4 Output cgm2draw/IslandDraw



UF4102100

11.1.5 Output Designer

0

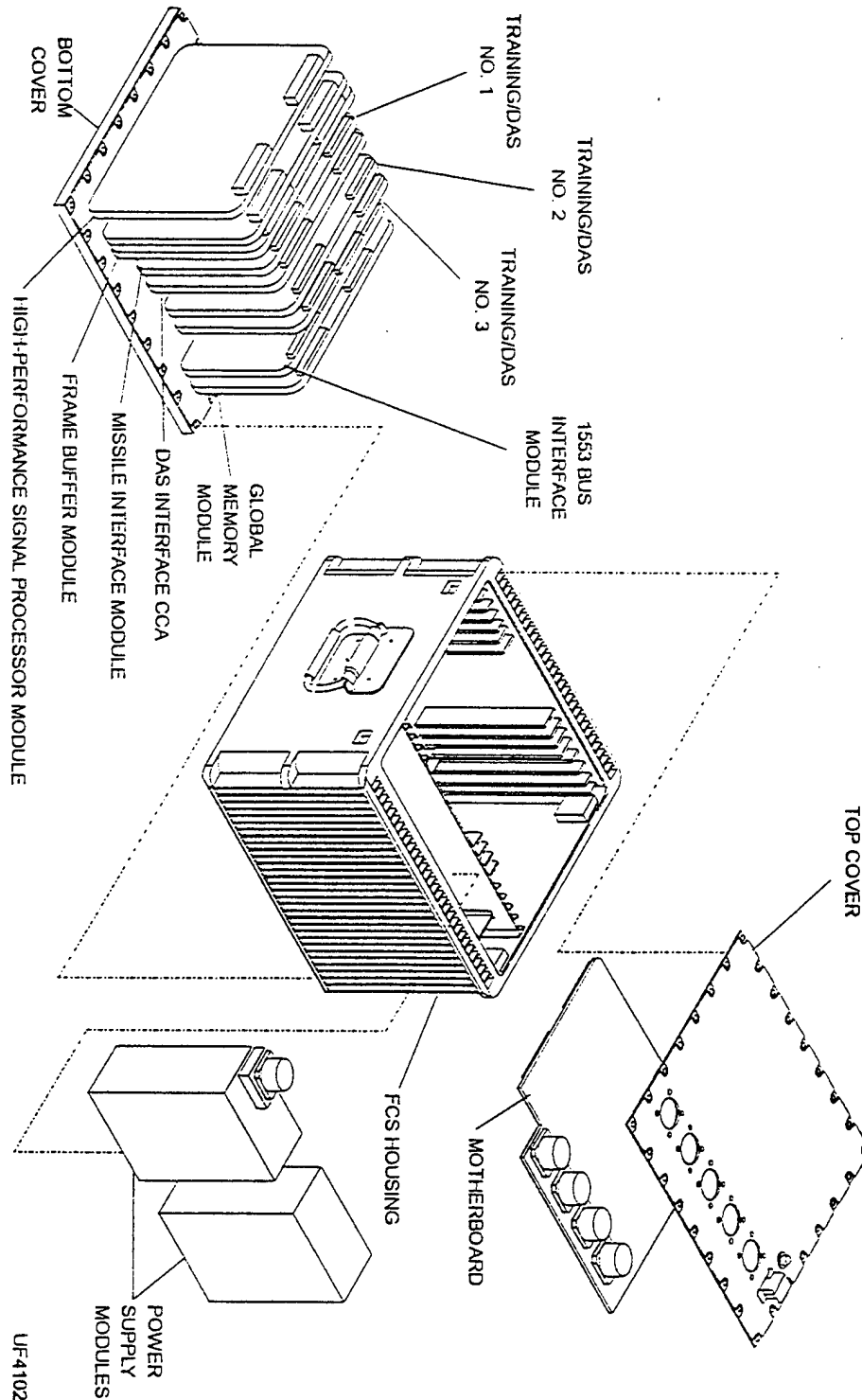


Designer 4.0

c104

11.1.6 Output Freelance

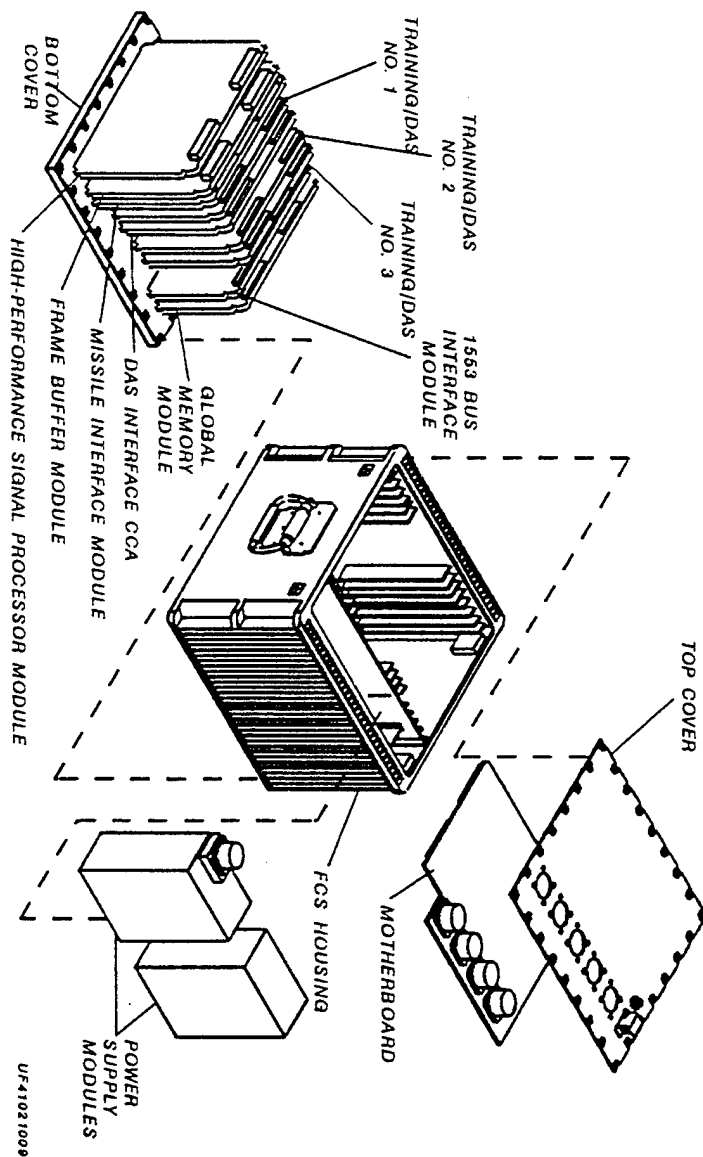
Freelance-C104



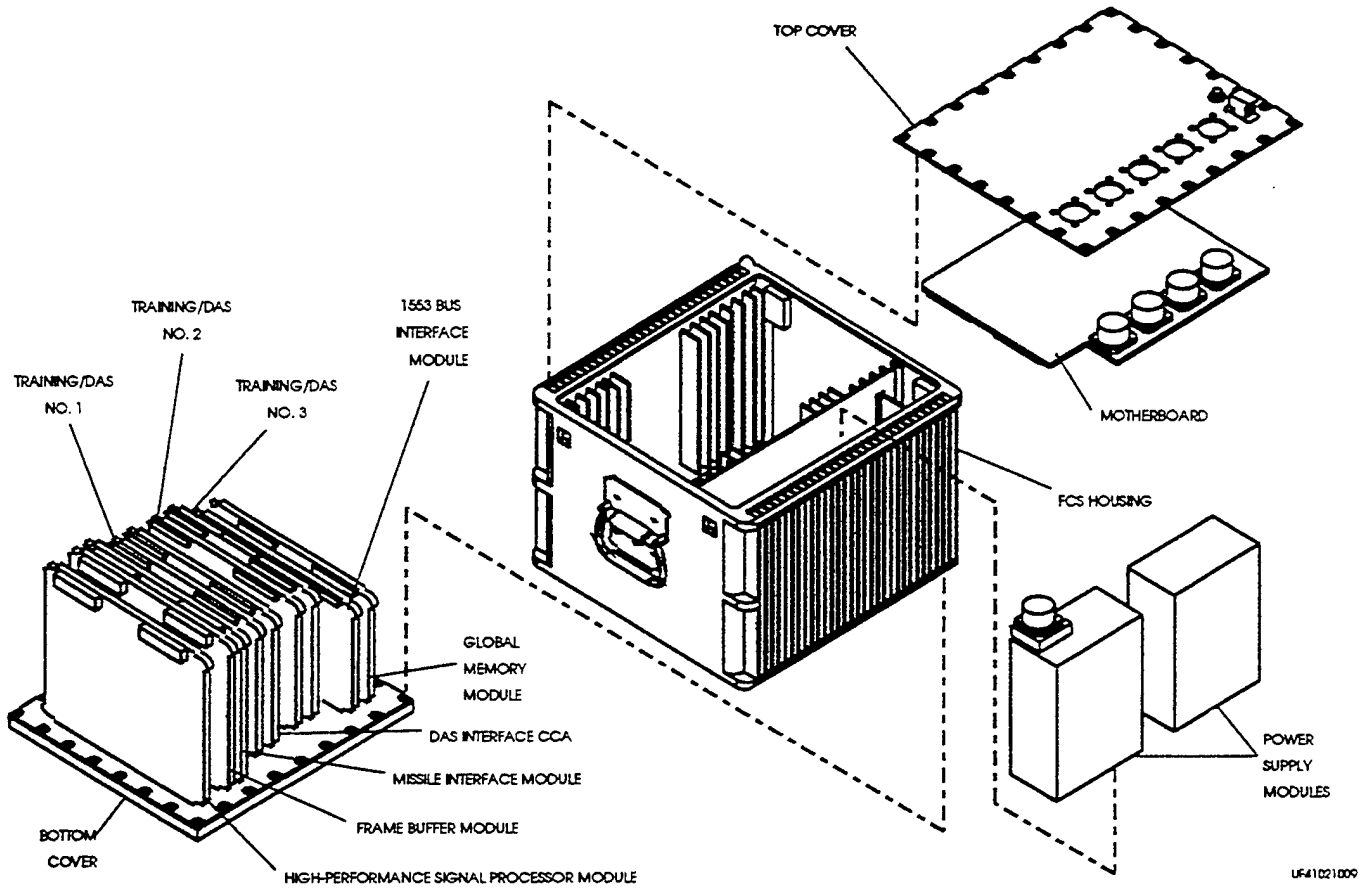
UF41021009

11.1.7 Output Harvard Graphics

HG305
C104

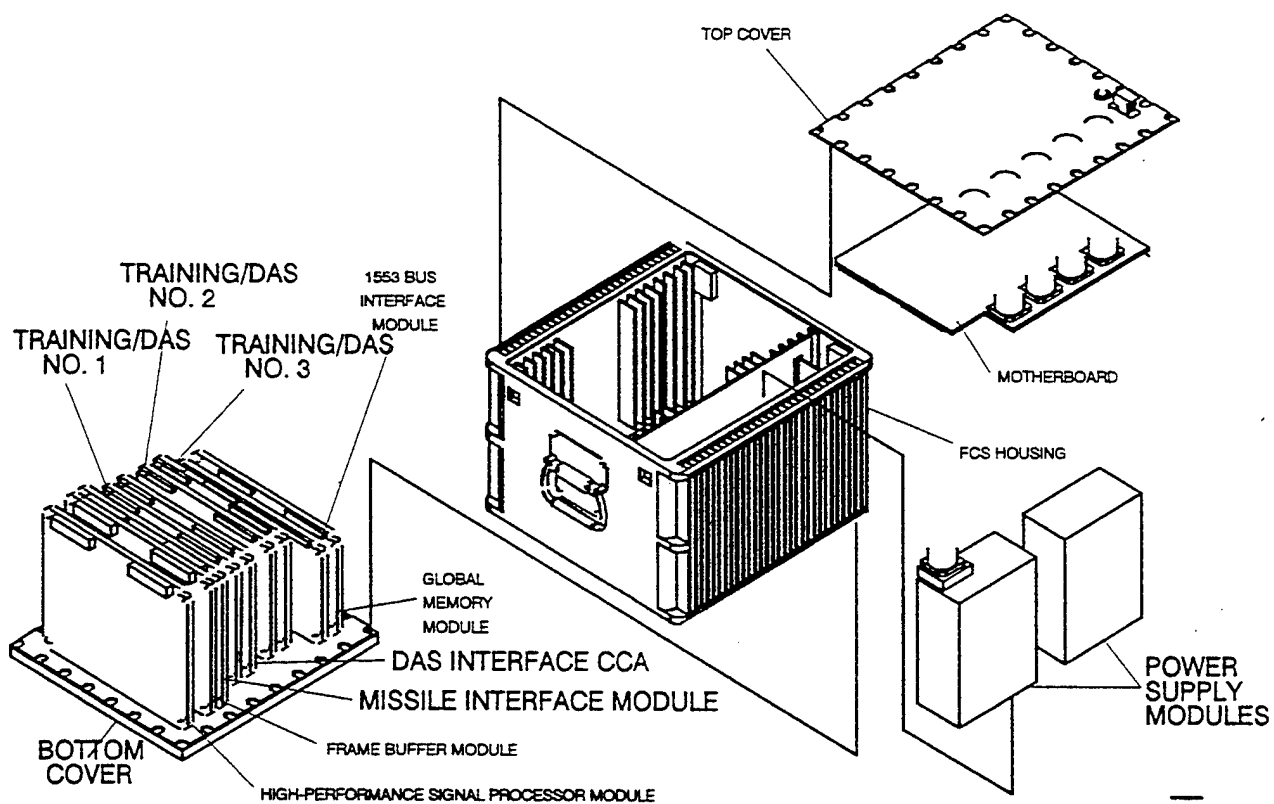


11.1.8 Output IslandDraw v4.0

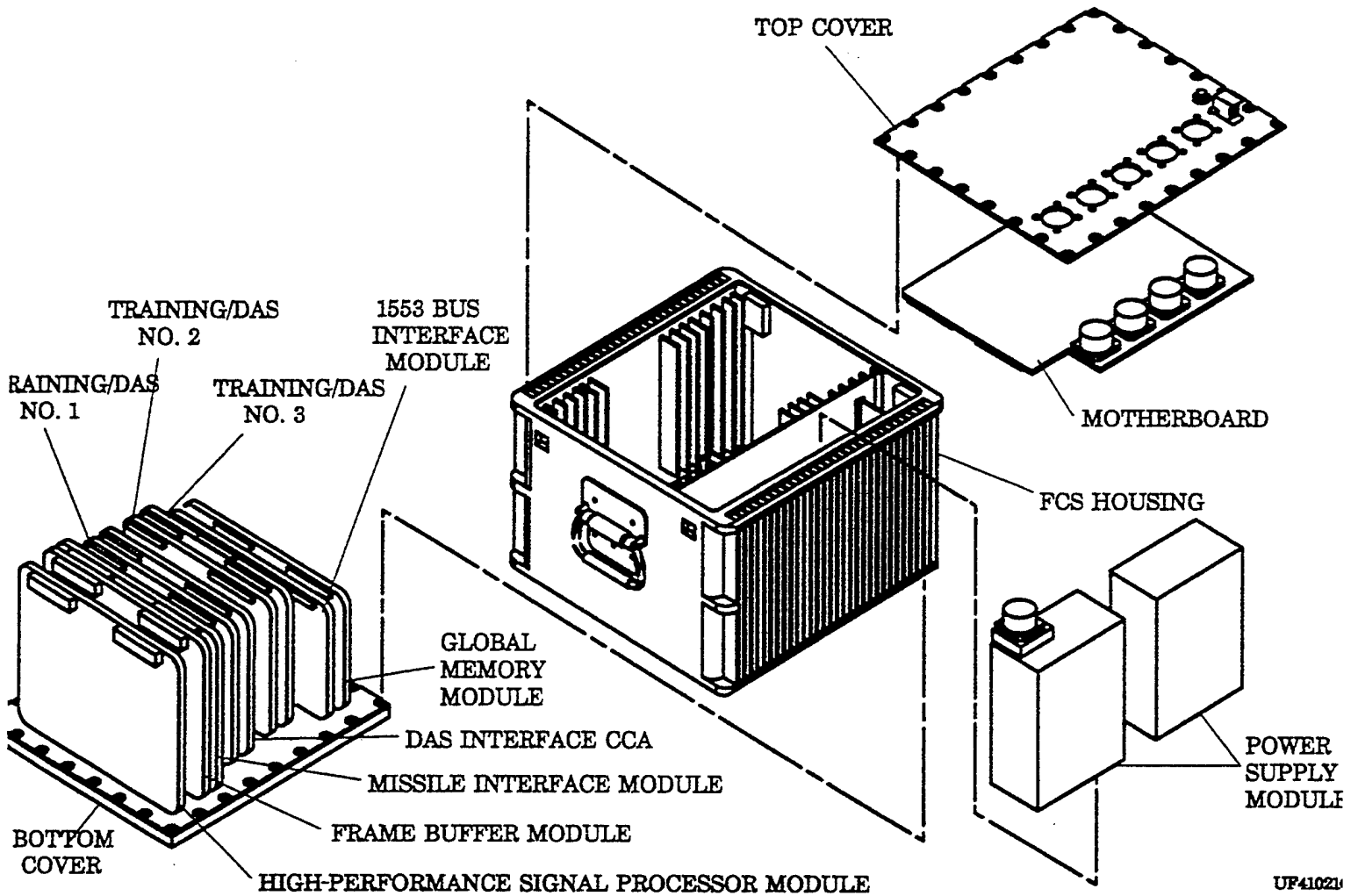


ID4
C104

11.1.9 Output Ventura Publisher



11.1.10 Output X-Change



UF41021

11.2 File D001C020

11.2.1 Parser Log MetaCheck

MetaCheck Version 2.05 -- CGM/MIL-D-28003 Conformance Analyzer
Copyright 1988-91 CGM Technology Software
Execution Date: 04/16/94 Time: 13:25:30

Metafile Examined : i:\94027\c120.cgm

Pictures Examined : All

Elements Examined : All

Bytes Examined : All

=====
===== Trace Report =====

Tracing not selected.

=====
===== CGM Conformance Violation Report =====

No Errors Detected

=====
===== CALS CGM Profile (MIL-D-28003) Report =====

No profile discrepancies detected.

=====
===== Conformance Summary Report =====

MetaCheck Version 2.05 -- CGM/MIL-D-28003 Conformance Analyzer
Copyright 1988-91 CGM Technology Software
Execution Date: 04/16/94 Time: 13:25:31

Name of CGM under test: i:\94027\c120.cgm

Encoding : Binary

Pictures Examined : All

Elements Examined : All

Bytes Examined : All

BEGIN METAFILE string : "Version 5.42, RANG1FT_cgm.sty, 03/28/94
11:02:32"

METAFILE DESCRIPTION : "Interleaf Inc. MDL/G CGM 1992 ***
MIL-D-28003/BASIC-1"

Picture 1 starts at octet offset 398; string contains: "RANG1FT"

Conformance Summary : This file conforms to the CGM specification.
This file meets the CALS CGM Profile (MIL-D-28003).

Summary of Testing Performed and Errors Found:

1 Pictures Tested
162 Elements Tested
2416 Octets Tested

```
=====
|   No Errors Were Detected   |
=====
```

===== End of Conformance Report =====

11.2.2 validcgm Log

Analysis for file c120.cgm using table table
ERROR: invalid times used per CGM (2), std B
ERROR: invalid times used per Picture (2), std B
(14, 266) (1, 12, 12) Metafile Defaults Replacement
ERROR: illegal in this state (2), std B
ERROR: required precursor (0, 3) not yet seen
(14.1, 0) (2, 6, 8) VDC Extent (0, 0) (32767, 32767)
ERROR: invalid times used per CGM (3), std B
ERROR: invalid times used per Picture (3), std B
(15, 282) (1, 12, 6) Metafile Defaults Replacement
ERROR: illegal in this state (2), std B
ERROR: required precursor (0, 4) not yet seen
(15.1, 0) (5, 11, 2) Text Precision Stroke
(0, 1) occurred 1 time
(0, 2) occurred 1 time
(0, 3) occurred 1 time
(0, 4) occurred 1 time
(0, 5) occurred 1 time
(1, 1) occurred 1 time
(1, 2) occurred 1 time
(1, 3) occurred 1 time
(1, 4) occurred 1 time
(1, 5) occurred 1 time
(1, 6) occurred 1 time
(1, 7) occurred 1 time
(1, 8) occurred 1 time
(1, 9) occurred 1 time
(1, 10) occurred 1 time
(1, 11) occurred 1 time

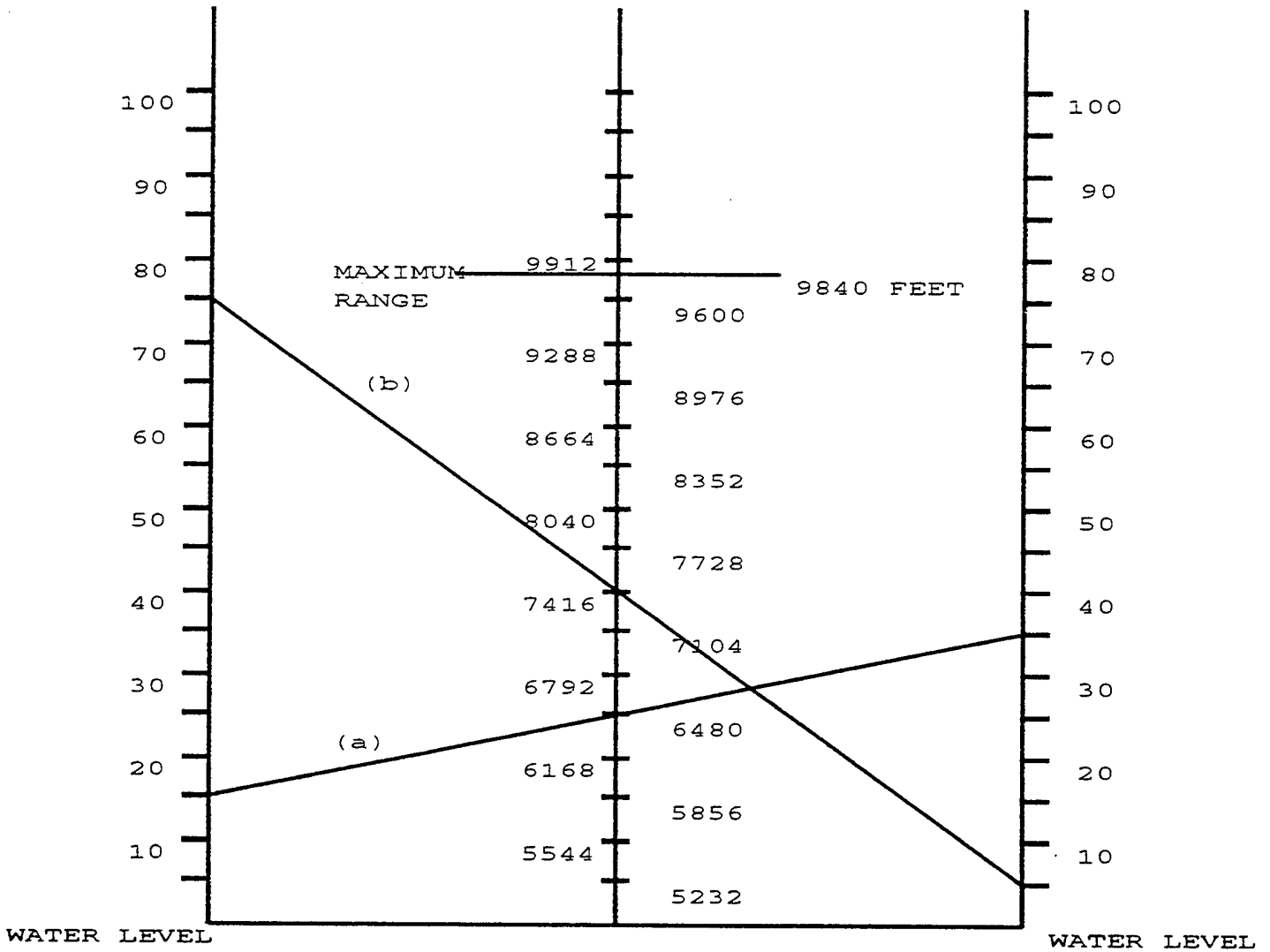
(1, 12) occurred 3 times
(1, 12) occurred illegally 2 times
(1, 13) occurred 1 time
(1, 15) occurred 1 time
(2, 1) occurred 1 time
(2, 2) occurred 1 time
(2, 3) occurred 1 time
(2, 4) occurred 1 time
(2, 5) occurred 1 time
(2, 6) occurred 2 times
(2, 6) occurred illegally 1 time
(2, 7) occurred 1 time
(3, 1) occurred 1 time
(4, 1) occurred 67 times
(4, 4) occurred 53 times
(5, 3) occurred 5 times
(5, 4) occurred 1 time
(5, 10) occurred 3 times
(5, 11) occurred 1 time
(5, 11) occurred illegally 1 time
(5, 14) occurred 1 time
(5, 15) occurred 1 time
(5, 16) occurred 1 time (5, 18) occurred 1 time (5, 34) occurred 1 time

11.2.3 Output CADLeaf

HEIGHT OF
LAUNCHER
ABOVE WATER
IN FEET

ALLOWABLE RANGE
TO TARGET IN FEET
ACROSS WATER

HEIGHT OF
TARGET ABOVE
WATER IN FEET

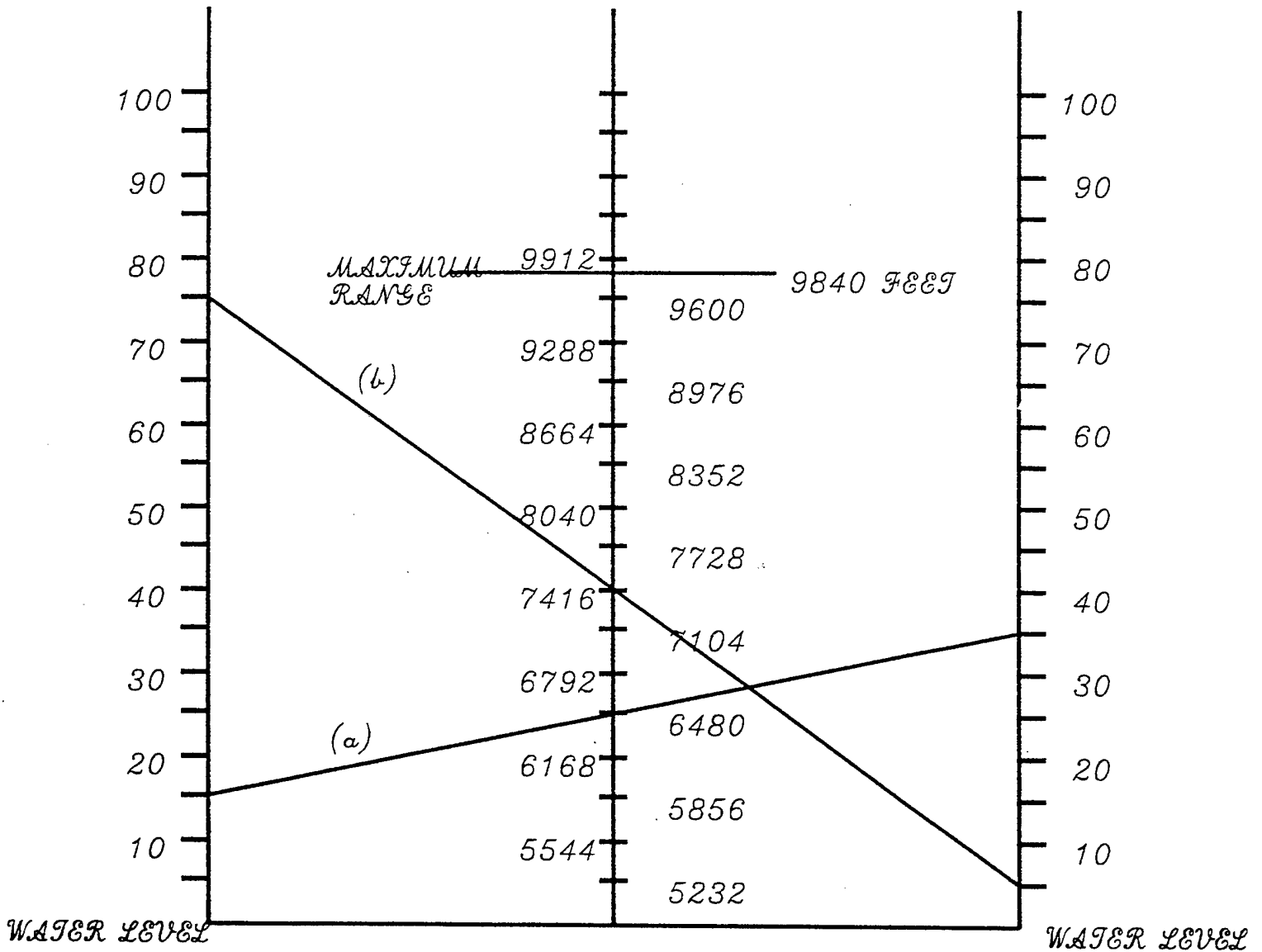


11.2.4 Output cgm2draw/IslandDraw

HEIGHT OF
LAUNCHER
ABOVE WATER
IN FEET

ALLOWABLE RANGE
TO TARGET IN FEET
ACROSS WATER

HEIGHT OF
TARGET ABOVE
WATER IN FEET

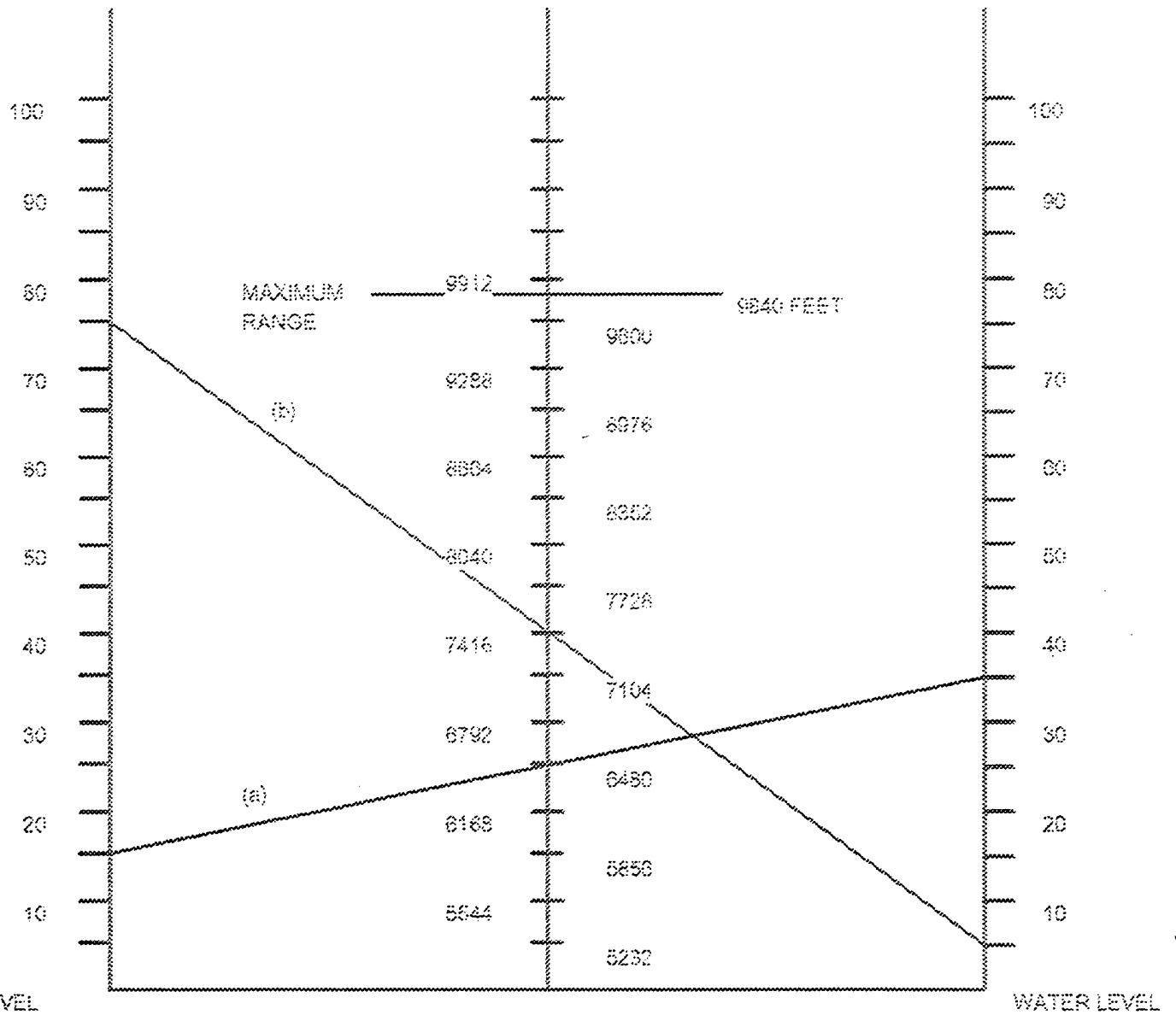


11.2.5 Output Designer

HEIGHT OF LAUNCHER ABOVE WATER IN FEET

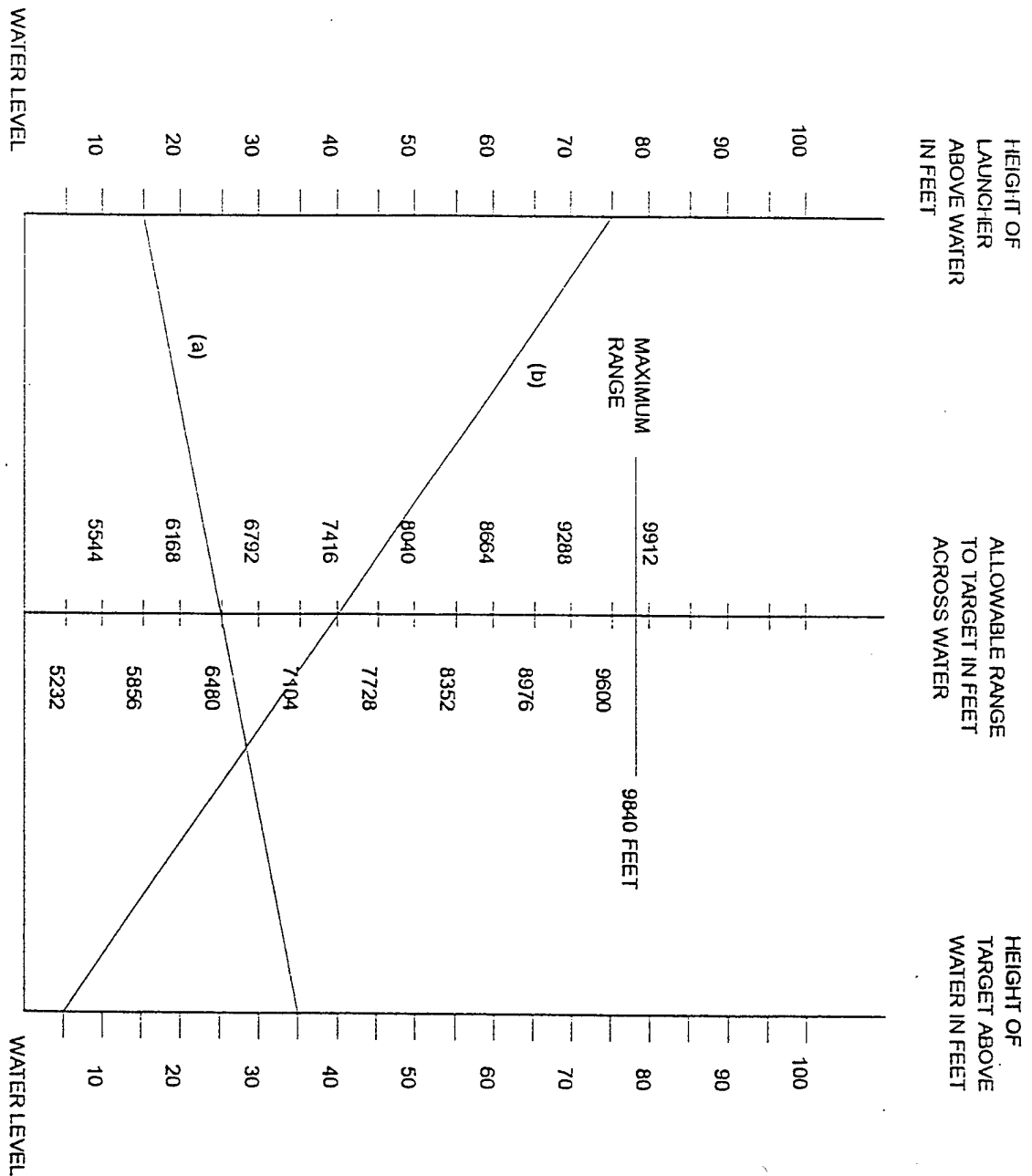
ALLOWABLE RANGE TO TARGET IN FEET ACROSS WATER

HEIGHT OF TARGET ABOVE WATER IN FEET



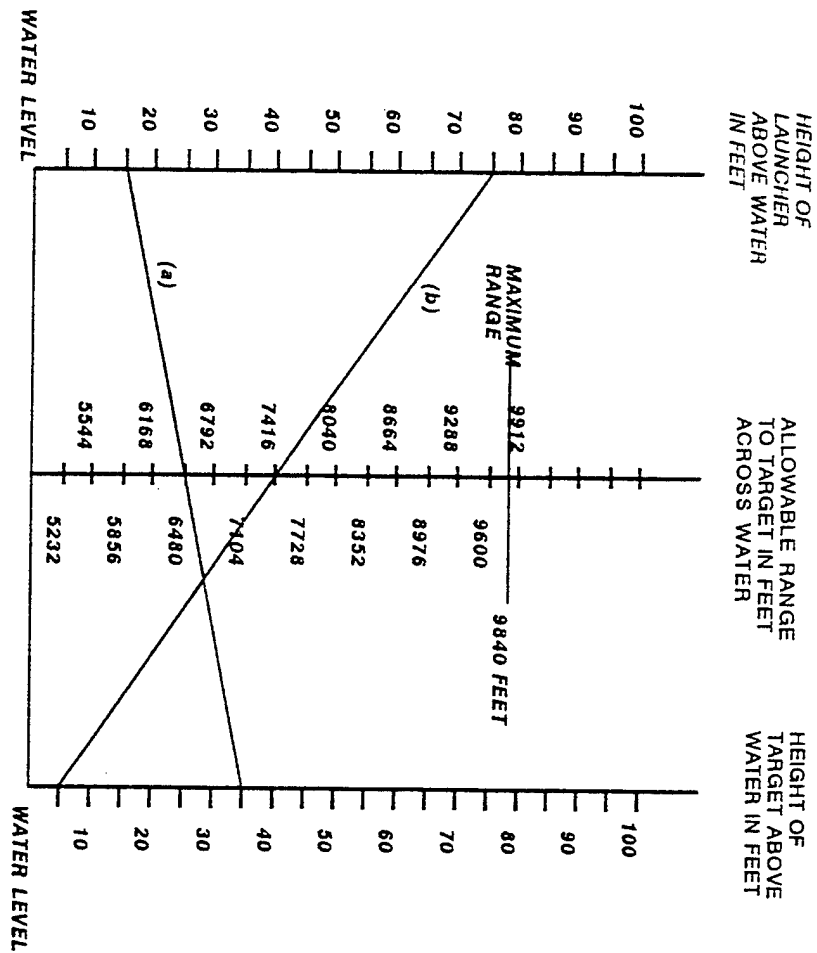
11.2.6 Output Freelance

Freelance-C120

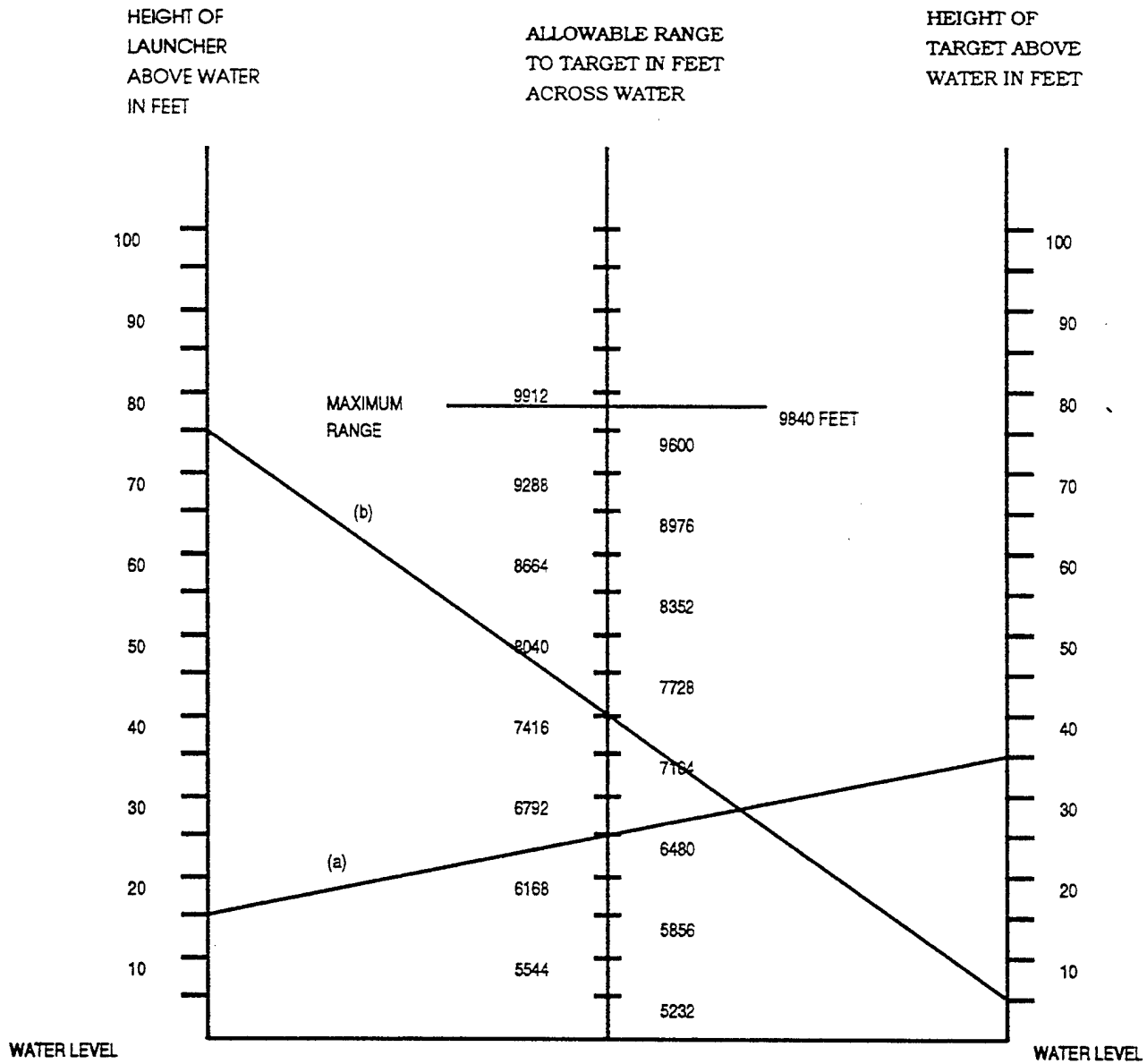


11.2.7 Output Harvard Graphics

HG305
C120



11.2.8 Output IslandDraw v4.0

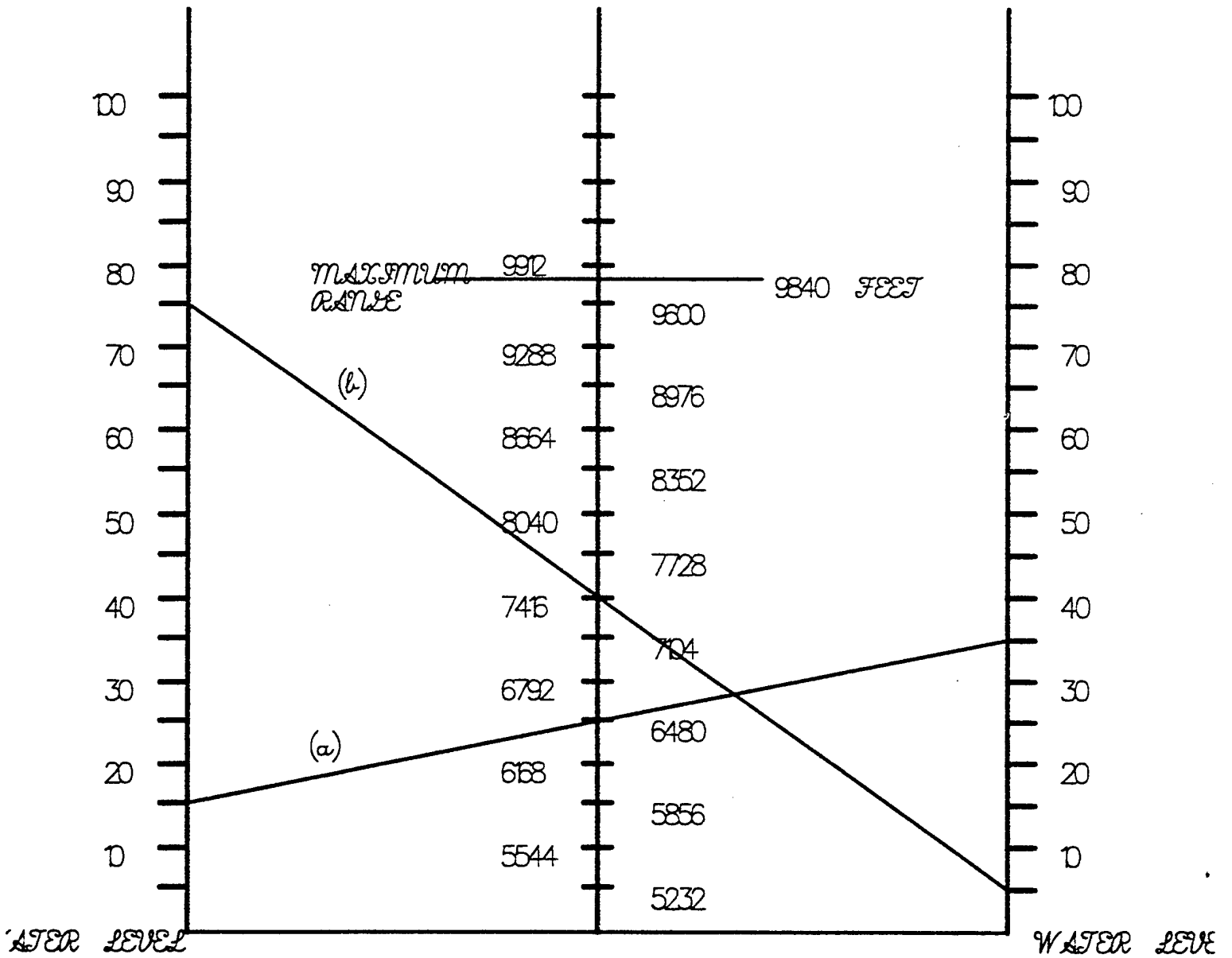


11.2.9 Output X-Change

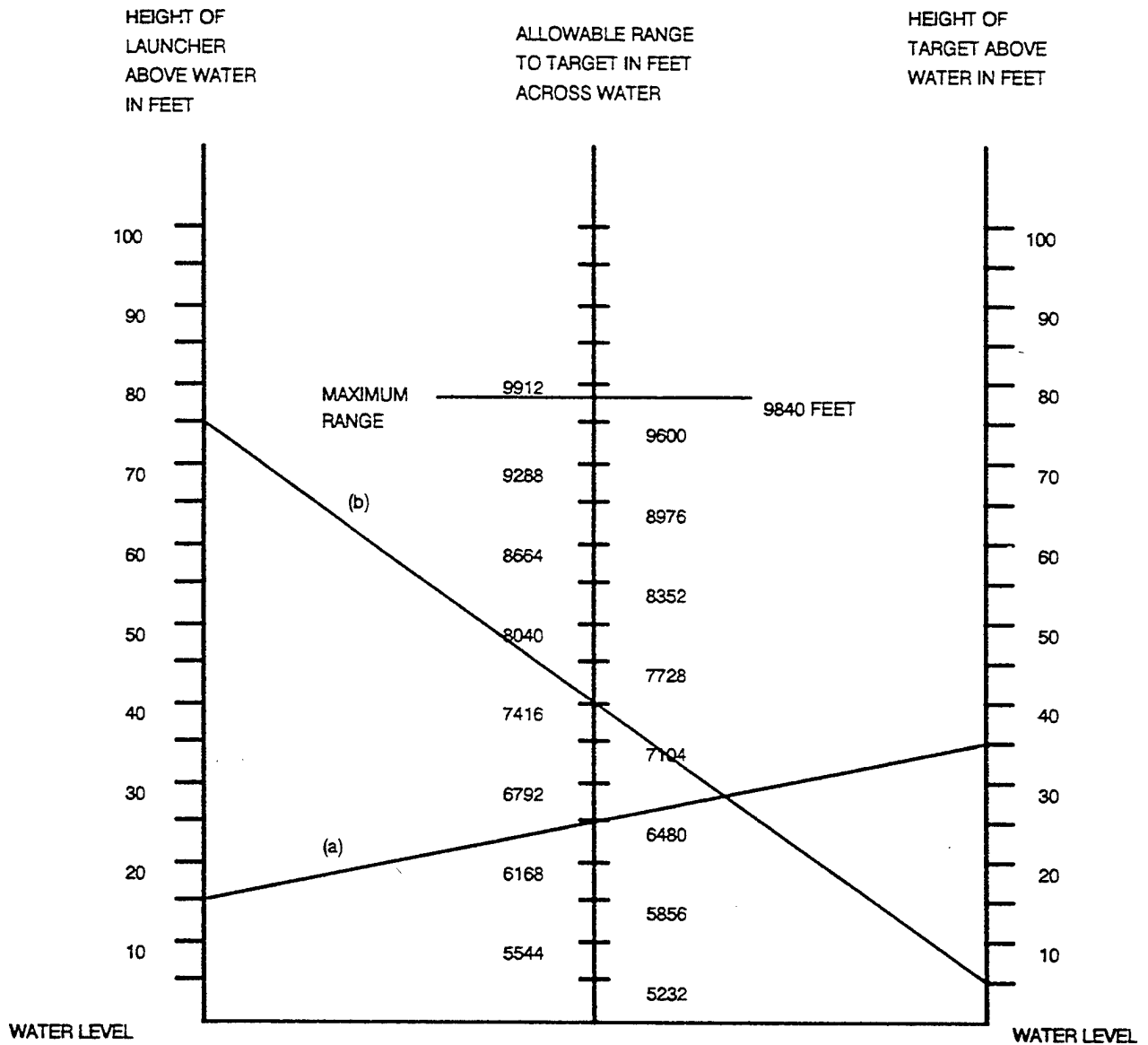
HEIGHT OF
LAUNCHER
ABOVE WATER
IN FEET

ALLOWABLE RANGE
TO TARGET IN FEET
ACROSS WATER

HEIGHT OF
TARGET ABOVE
WATER IN FEET



11.2.10 Output Ventura Publisher



11.3 File D002C001

11.3.1 Parser Log MetaCheck

MetaCheck Version 2.05 -- CGM/MIL-D-28003 Conformance Analyzer
Copyright 1988-91 CGM Technology Software
Execution Date: 04/16/94 Time: 13:25:33

Metafile Examined : i:\94027\c201.cgm

Pictures Examined : All
Elements Examined : All
Bytes Examined : All

=====
===== Trace Report =====

Tracing not selected.

=====
===== CGM Conformance Violation Report =====

Bulletin 2001: Element Class/ID: 4/7 Offset: 43038 octets Element No. 3443
Insufficient parameter data for this element.

Bulletin 2001: Element Class/ID: 4/7 Offset: 43258 octets Element No. 3460
Insufficient parameter data for this element.

Bulletin 2001: Element Class/ID: 4/7 Offset: 43506 octets Element No. 3478
Insufficient parameter data for this element.

Error 6076: Element Class/ID: 4/18 Offset: 43722 octets Element No. 3492
The three specifying points of the ELLIPTICAL ARC element are invalid;
they must be distinct points.

Bulletin 20012: Element Class/ID: 4/13 Offset: 44694 octets Element No. 3546
Warning; CIRCULAR ARC 3 POINT with coincident/collinear points.

Error 6076: Element Class/ID: 4/18 Offset: 70224 octets Element No. 5244
The three specifying points of the ELLIPTICAL ARC element are invalid;
they must be distinct points.

Error 6076: Element Class/ID: 4/18 Offset: 80688 octets Element No. 5827
The three specifying points of the ELLIPTICAL ARC element are invalid;
they must be distinct points.

Bulletin 20012: Element Class/ID: 4/13 Offset: 82852 octets Element No. 5967
Warning; CIRCULAR ARC 3 POINT with coincident/collinear points.

Error 6076: Element Class/ID: 4/18 Offset: 85306 octets Element No. 6139
The three specifying points of the ELLIPTICAL ARC element are invalid;
they must be distinct points.

===== CALS CGM Profile (MIL-D-28003) Report =====

No profile discrepancies detected.

===== Conformance Summary Report =====

MetaCheck Version 2.05 -- CGM/MIL-D-28003 Conformance Analyzer
Copyright 1988-91 CGM Technology Software
Execution Date: 04/16/94 Time: 13:25:36

Name of CGM under test: i:\94027\c201.cgm
Encoding : Binary

Pictures Examined : All
Elements Examined : All
Bytes Examined : All

BEGIN METAFILE string : "Version 5.42, ITAS1_cgm.sty, 03/25/94 10:00:10"
METAFILE DESCRIPTION : "Interleaf Inc. MDL/G CGM 1992 ***
MIL-D-28003/BASIC-1"

Picture 1 starts at octet offset 396; string contains: "ITAS1"

Conformance Summary : This file is not a conforming CGM.
Consequently, it does not meet the
CALS CGM Profile (MIL-D-28003).

Summary of Testing Performed and Errors Found:

1 Pictures Tested
6233 Elements Tested
86726 Octets Tested

0 Illegal CGM Elements	1000 -	1999
3 Incorrect CGM Element Lengths	2000 -	2999
0 CGM State Errors	3000 -	3499
0 Required CGM Elements Missing or Wrong	4000 -	4499
4 CGM Parameter Values Out of Range	6000 -	6499
0 CGM Structure Errors	7000 -	7499
7 *** CGM Errors Found (total)	***	
0 Profile State Errors	3500 -	3999
0 Illegal Profile Elements	4500 -	4999
0 Profile Parameter Values Out of Range	6500 -	6999

0 Profile Data Limits Exceeded 8500 - 8999
0 Other Profile Constraints Violated 9500 - 9999
0 *** Profile Violations Found (total) ***

2 Warnings (Advisory Remarks) 20000 - 20999

3 distinct errors and warnings were reported.

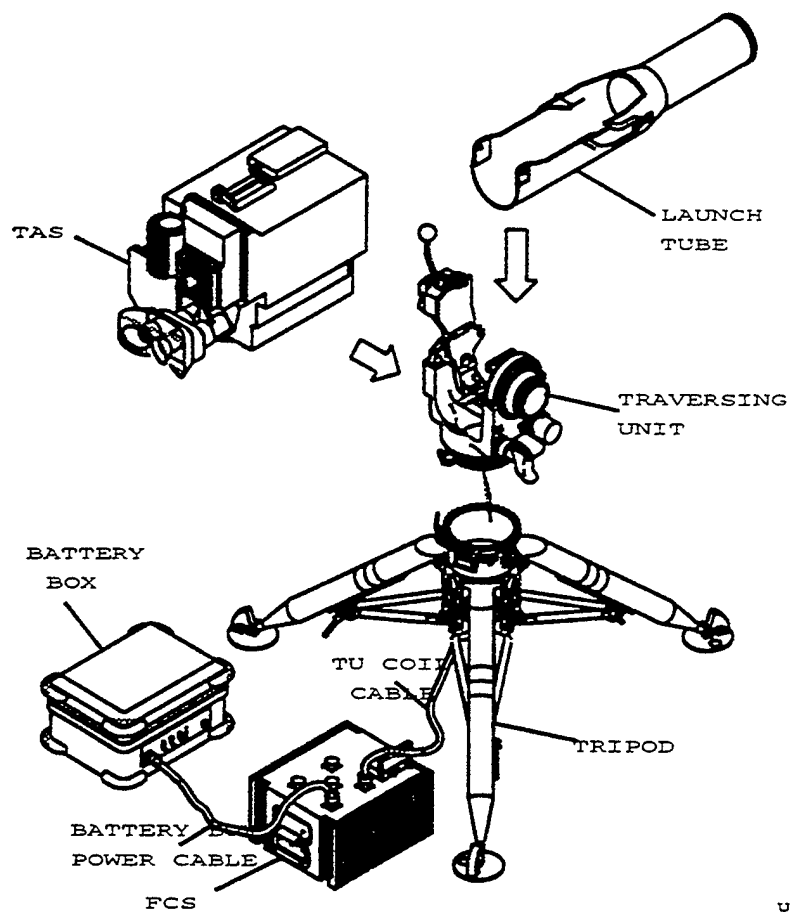
===== End of Conformance Report =====

11.3.2 validcgm Log

Analysis for file c201.cgm using table table
ERROR: invalid times used per CGM (2), std B
ERROR: invalid times used per Picture (2), std B
(14, 264) (1, 12, 12) Metafile Defaults Replacement
ERROR: illegal in this state (2), std B
ERROR: required precursor (0, 3) not yet seen
(14.1, 0) (2, 6, 8) VDC Extent (0, 0) (32767, 32767)
ERROR: invalid times used per CGM (3), std B
ERROR: invalid times used per Picture (3), std B
(15, 280) (1, 12, 6) Metafile Defaults Replacement
ERROR: illegal in this state (2), std B
ERROR: required precursor (0, 4) not yet seen
(15.1, 0) (5, 11, 2) Text Precision Stroke
(0, 1) occurred 1 time
(0, 2) occurred 1 time
(0, 3) occurred 1 time
(0, 4) occurred 1 time
(0, 5) occurred 1 time
(1, 1) occurred 1 time
(1, 2) occurred 1 time
(1, 3) occurred 1 time
(1, 4) occurred 1 time
(1, 5) occurred 1 time
(1, 6) occurred 1 time
(1, 7) occurred 1 time
(1, 8) occurred 1 time
(1, 9) occurred 1 time
(1, 10) occurred 1 time
(1, 11) occurred 1 time
(1, 12) occurred 3 times
(1, 12) occurred illegally 2 times
(1, 13) occurred 1 time
(1, 15) occurred 1 time
(2, 1) occurred 1 time

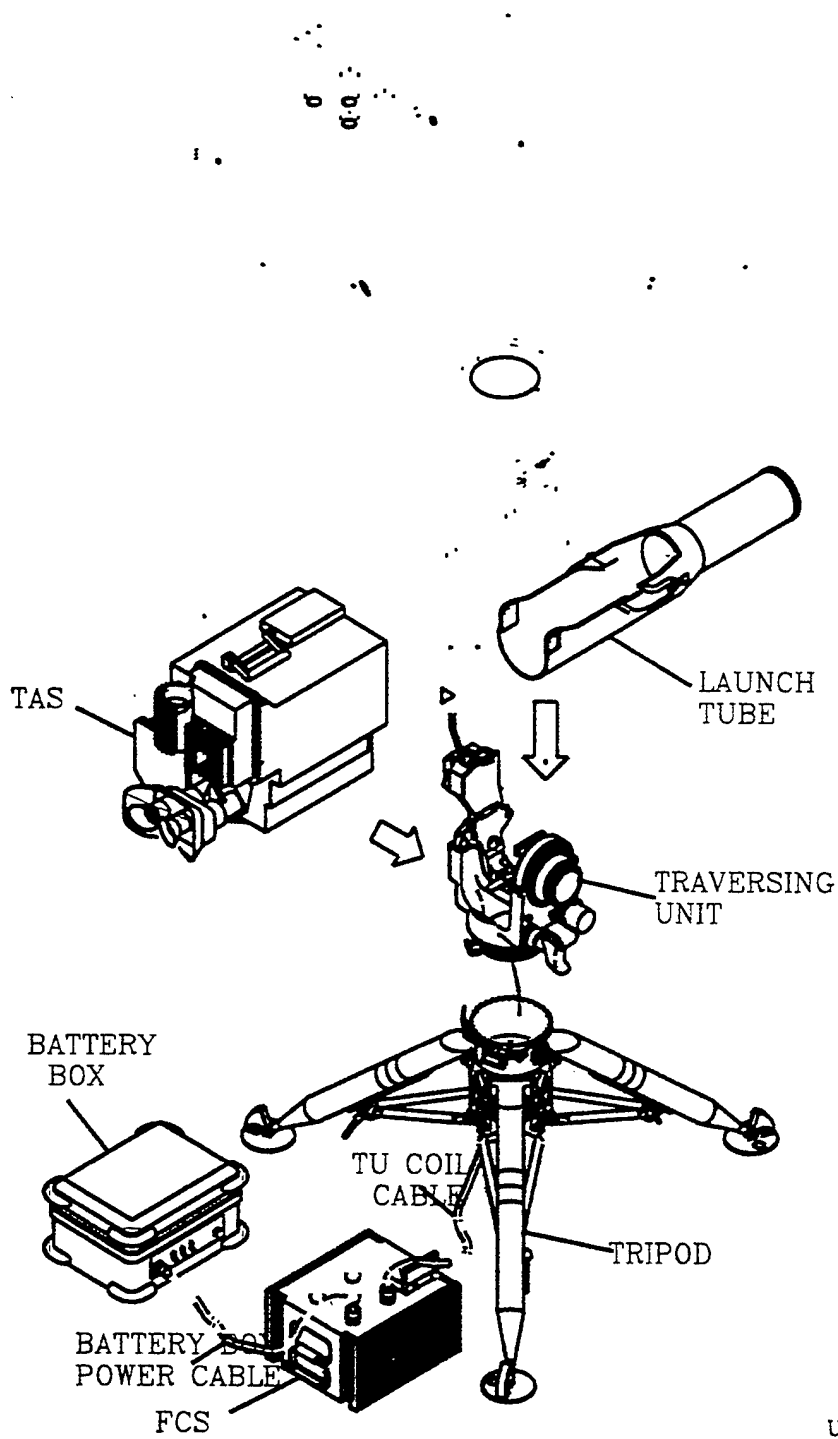
(2, 2) occurred 1 time
(2, 3) occurred 1 time
(2, 4) occurred 1 time
(2, 5) occurred 1 time
(2, 6) occurred 2 times
(2, 6) occurred illegally 1 time
(2, 7) occurred 1 time
(3, 1) occurred 1 time
(4, 1) occurred 5102 times
(4, 4) occurred 14 times
(4, 7) occurred 46 times
(4, 12) occurred 4 times
(4, 13) occurred 45 times
(4, 17) occurred 68 times
(4, 18) occurred 893 times
(5, 3) occurred 1 time
(5, 4) occurred 1 time
(5, 11) occurred 1 time
(5, 11) occurred illegally 1 time
(5, 14) occurred 1 time
(5, 15) occurred 2 times
(5, 16) occurred 2 times
(5, 18) occurred 1 time
(5, 23) occurred 11 times
(5, 28) occurred 1 time
(5, 29) occurred 1 time
(5, 30) occurred 11 times
(5, 34) occurred 1 time

11.3.3 Output CADLeaf



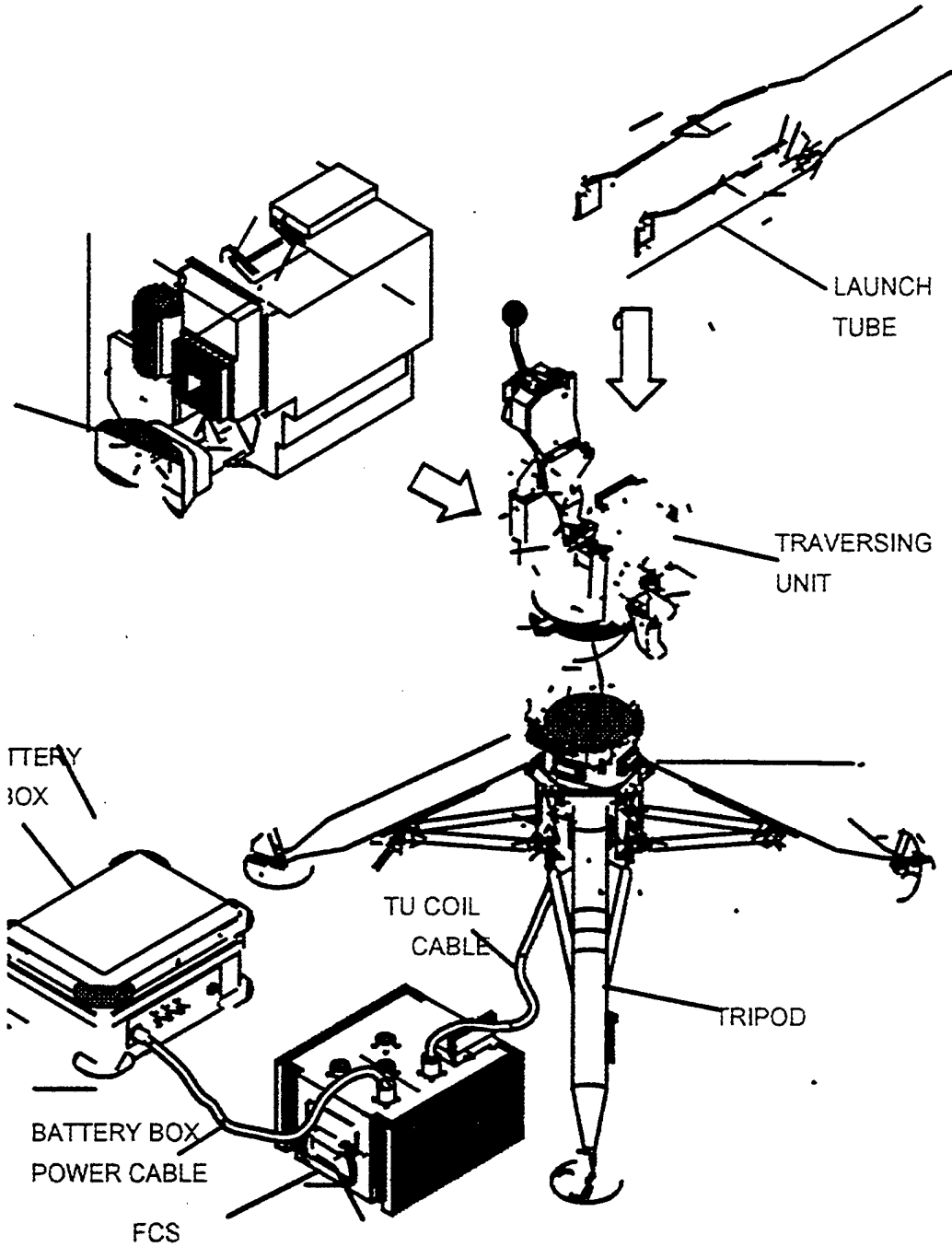
UF41021001

11.3.4 Output cgm2draw/IslandDraw



UF41021001

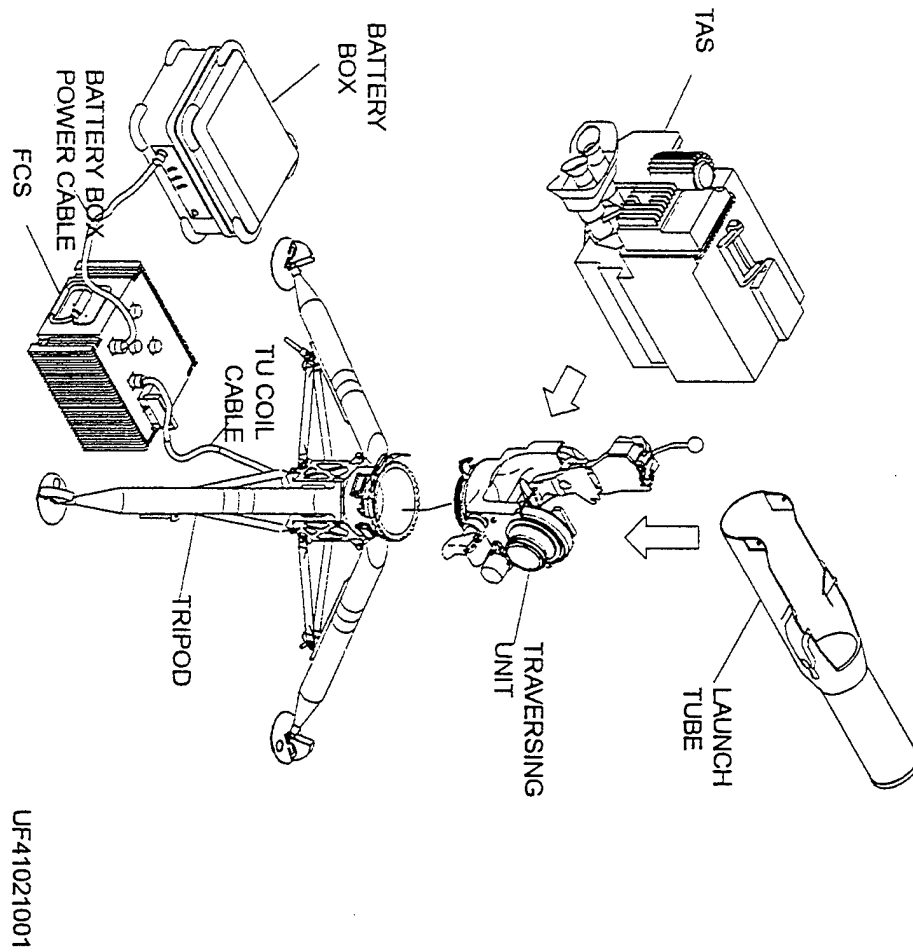
11.3.5 Output Designer



UF41021001

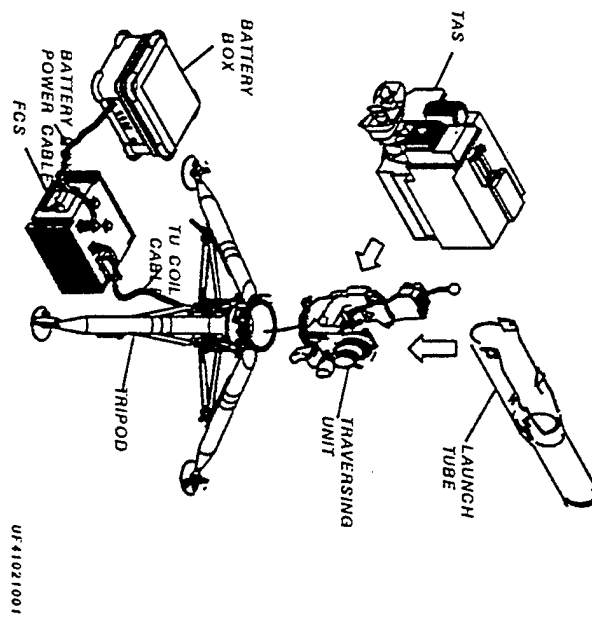
11.3.6 Output Freelance

Freelance-C201

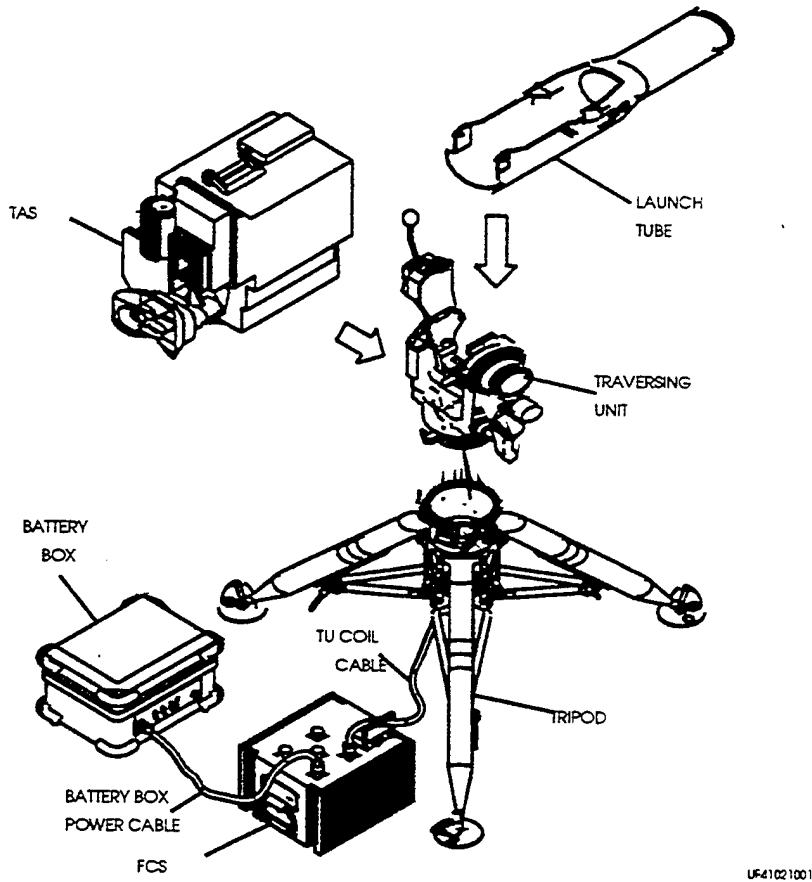


11.3.7 Output Harvard Graphics

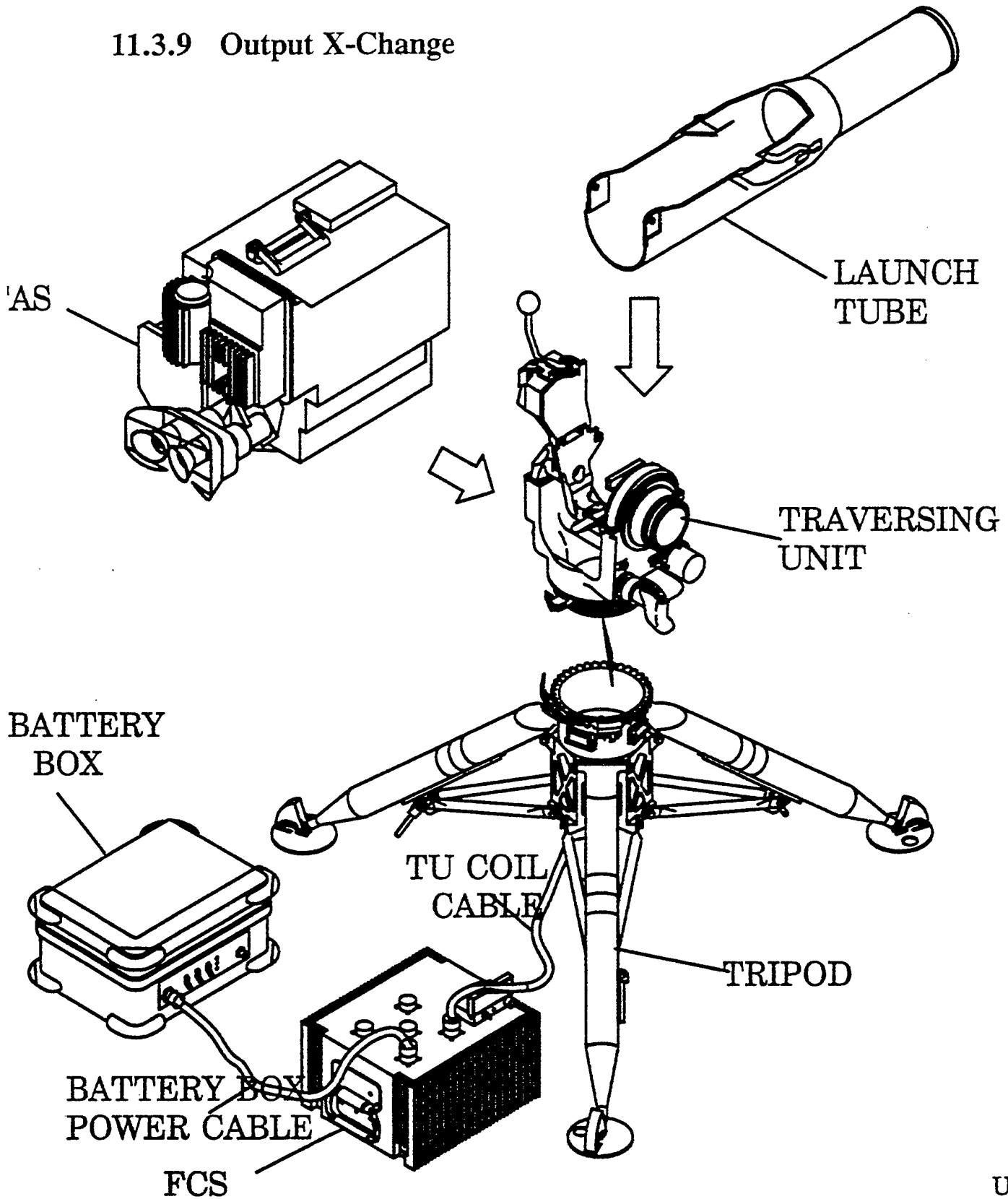
HG305
C201



11.3.8 Output IslandDraw v4.0



11.3.9 Output X-Change



UF410210