



CTN Test Report 93-010

AFCTB-ID
92-074

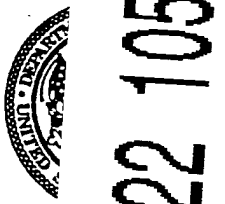


Technical Publication Transfer

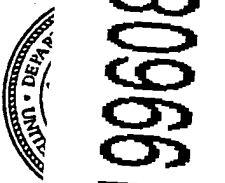
Using:



ArborText, Inc. Data



- MIL-D-28000A (IGES)
- MIL-M-28001A (SGML)
- MIL-R-28002A (Raster)
- MIL-D-28003 (CGM)



19960822 105

Quick Short Test Report



27 October 1992

DISTRIBUTION STATEMENT A
 Approved for public release
 Distribution Unlimited



Prepared for
Electronic Systems Center

DTIC QUALITY INSPECTED 3

CTN Test Report
93-010

AFCTB-ID
92-074

Technical Publication Transfer

Using:

ArborText Data

MIL-D-28000A (IGES)

MIL-M-28001A (SGML)

MIL-R-28002A (Raster)

MIL-D-28003 (CGM)

Quick Short Test Report

27 October 1992

Prepared By

Air Force CALS Test Bed
Wright-Patterson AFB, OH 45433

AFCTB Contact

Gary Lammers
(513) 427-2295

CTN Contact

Mel Lammers
(513) 427-2295

DTIC QUALITY INSPECTED 3

DISCLAIMER

This document was prepared as an account of work sponsored by the Air Force. Neither the United States Government or the Air Force nor any of their employees, makes any warranty, express or implied, or assumes any legal liability or responsibility for the accuracy, completeness, or usefulness of any information, apparatus, product, or process disclosed, or represents that its use would not infringe privately owned rights. Reference herein to any specific commercial products, process, or service by trade name, trademark, manufacturer, or otherwise, does not necessarily constitute or imply its endorsement, recommendation, or favoring by the United States Government or the Air Force. The views and opinions of authors expressed herein do not necessarily state or reflect those of the United States Government or the Air Force, and shall not be used for advertising or product endorsement purposes.

Available to the public from the
National Technical Information Service
U.S. Department of Commerce
5285 Port Royal Rd.,
Springfield, VA 22161

This report and those involved in its preparation do not endorse any product, process, or company stated herein. Use of these means by anyone does not imply certification by the CALS Test Network (CTN).

Contents

1.	Introduction.....	1
1.1.	Background.....	1
1.2.	Purpose.....	2
2.	Test Parameters.....	3
3.	1840A Analysis.....	6
3.1.	External Packaging.....	6
3.2.	Transmission Envelope.....	6
3.2.1.	Tape Formats.....	6
3.2.2.	Declaration and Header Fields.....	6
4.	IGES Analysis.....	7
5.	SGML Analysis.....	7
6.	Raster Analysis.....	8
7.	CGM Analysis.....	8
8.	Conclusions and Recommendations.....	10
9.	Appendix A - Tape Tool Report Logs.....	11
9.1.	Tape Catalog.....	11
9.2.	Tape Evaluation Log.....	12
9.3.	Tape File Set Validation Log.....	16
10.	Appendix B - IGES Detail Analysis.....	20
10.1.	File D001Q004.....	20
10.1.1.	Parser/Verifier Log.....	20
10.1.2.	Output Cadkey v4.06.....	25

10.1.3. Output IGESView.....	26
10.1.4. Output IslandDraw.....	27
11. Appendix C - SGML Detail Analysis.....	28
11.1. Exoterica Parser.....	28
12. Appendix D - Raster Detail Analysis.....	29
12.1. File D001R007.....	29
12.1.1. Output IslandPaint.....	29
13. Appendix E - CGM Detail Analysis.....	30
13.1. File D001C003.....	30
13.1.1. Parser Log MetaCHECK.....	30
13.1.2. validcgm Log.....	31
13.1.3. Output CGM-View.....	33
13.1.4. Output cgm2draw/IslandDraw.....	34
13.1.5. Output Ventura Publisher.....	35

1. Introduction

1.1 Background

The Department of Defense (DoD) Computer-aided Acquisition and Logistics Support (CALs) Test Network (CTN) is conducting tests of the military standard for the Automated Interchange of Technical Information, MIL-STD-1840A, and its companion suite of military specifications. The CTN is a DoD sponsored confederation of voluntary participants from industry and government managed by the Electronic Systems Center (ESC).

The primary objective of the CTN is to evaluate the effectiveness of the CALs standards for technical data interchange and to demonstrate the technical capabilities and operational suitability of those standards. Two general categories of tests are performed to evaluate the standards; formal and informal.

Formal tests are large and comprehensive, which follow a written test plan, require specific authorization from the DoD, and may take months to prepare, execute, and report.

Informal tests are quick and short, used by the CTN technical staff, to broaden the testing base. They include representative samples of the many systems and applications used by CTN participants. They also allow the CTN staff to gain feedback from many industry and government interpretations of the standards, to increase the base of participation in the CALs initiative, and respond to the many requests for help that come from participants. Participants take part voluntarily, benefit by receiving an evaluation of their latest implementation (interpretation) of the standards, interact with the CTN technical staff, gain experience using of the standards, and develop increased confidence in them. The results of informal tests are reported in Quick Short Test Reports (QSTRs) that briefly summarize the standard(s) tested, the hardware and software used, the nature of the test, and the results.

1.2 Purpose

The purpose of the informal test, reported in this QSTR, was to analyze ArborText's interpretation and use of the CALS standards in transferring technical publications data. ArborText used its CALS Technical Data Interchange System to produce data, in accordance with the standards, and delivered it to the CTN technical staff on a 9-track magnetic tape.

2. Test Parameters

Test Plan: AFCTB 92-074

Date of Evaluation: 27 October 1992

Evaluator: George Elwood
Air Force CALS Test Bed
HQ ESC/ENCS
4027 Colonel Glenn Hwy
Suite 200
Dayton, OH 45431-1601

Data Originator: Jim Salois
ArborText, Inc.
1000 Victors Way #400
Ann Arbor, MI 48108

Data Description: Technical Manual Test
1 Document Declaration file
1 Document Type Definitions (DTD)
1 Initial Graphics Exchange Specification (IGES) file
1 Text file
1 Raster file
1 Computer Graphics Metafile (CGM) file

Data Source System:

IGES

HARDWARE

Unknown

SOFTWARE

Unknown

Text/Standard Generalized Markup Language (SGML)

HARDWARE

Unknown

SOFTWARE

Unknown

Raster

HARDWARE
Unknown
SOFTWARE
Unknown

CGM

HARDWARE
Unknown
SOFTWARE
Unknown

Evaluation Tools Used:

MIL-STD-1840A (TAPE)

SUN 3/280

CTN Tapetool v1.2.8 UNIX
AGFA Compugraphics CAPS/CALS v40.4

MIL-D-28000 (IGES)

Sun SparcStation 2

ArborText iges2draw
IGES Data Analysis (IDA) Parser/Verifier
IDA IGESView v3.0

Cheetah Gold 486

Cadkey Cadkey v4.06

MIL-M-28001 (SGML)

Cheetah Gold 486

Datalogics ParserStation v3.36
Exoterica XGMLNormalizer v1.2e3.2

MIL-R-28002 (Raster)

SUN SparcStation 2

ArborText g42tiff

CTN validg4

CTN calstb.475

Island Graphics IslandPaint 3.0

Cheetah

Inset Systems HiJaak v2.02

Software Publishing Corporation

(SPC) Harvard Graphics v3.0

Xerox Ventura Publisher

MIL-D-28003 (CGM)

SUN SparcStation 2

ArborText *cgm2draw*

Island Graphics *IslandDraw 3.0*

Sun 3/60

Advanced Technology Center

(ATC) *CGM-View R2.0*

Cheetah Gold 486

ATC *MetaVIEW R1.12*

ATC *MetaCHECK R2.05*

Xerox Ventura Publisher

Standards

Tested:

MIL-STD-1840A

MIL-D-28000A

MIL-M-28001A

MIL-R-28002A

MIL-D-28003

3. 1840A Analysis

3.1 External Packaging

The tape arrived at the Air Force CALS Test Bed (AFCTB) enclosed in a box in accordance with ASTM D 3951. The exterior of the box was marked with the magnetic tape warning label, as required by MIL-STD1840A, para. 5.3.1.3.

The tape was not enclosed in a barrier bag as required by MIL-STD-1840A, para. 5.3.1.2. Inspection of the tape reel showed the label indicating the recording density as required by MIL-STD-1840A, para. 5.3.1. Enclosed in the box was a packing list showing all files that were recorded on the tape.

3.2 Transmission Envelope

The 9-track tape received by the AFCTB contained MIL-STD-1840A files. The files were named per the standard conventions.

3.2.1 Tape Formats

The 1840A tape was run through the AFCTB *Tapetool* v1.2.8 utility. No errors were encountered while evaluating the contents of the tape labels. No errors were reported while using AGFA CAPS *read1840A*.

3.2.2 Declaration and Header Fields

No errors were found in the Document Declaration file or data file headers.

4. IGES Analysis

This tape contained one (1) IGES file. This file was evaluated using IDA's *Parser/Verifier* with CALS options. No CALS errors were reported during the evaluation for CALS Class I requirements. The file was visually inspected for the required CALS statement in MIL-D-28000A, para. 3.2.1.3.1 which was found.

The file was converted using Cadkey's *Cadkey ig2c* utility with no reported errors. The resulting file was imported into Cadkey's *Cadkey*, displayed and printed without a problem.

The file was imported into IDA's *IGESView* without a reported error. The file displayed and printed without a problem.

The file was converted using ArborText's *iges2draw* utility without a reported error. The resulting file was read into Island Graphics' *IslandDraw*, displayed and printed without a problem.

5. SGML Analysis

The DTD was parsed using Exoterica's *XGMLNormalizer*. The included DTD was modified from 38784B. Several of the external entities were defined as ISO 9573-12:1991, which were not available in the AFCTB. These references were changed to specify ISO 8879. There also was a call for an ArborText math reference set. This file was available in the AFCTB. Once the changes were made, the DTD compiled without a reported error.

The same modifications were made and the DTD was parsed using Datalogics' *ParserStation*.

The Text file parsed without a reported error. The text output specification (OS) was provided on the tape. The OS was set up for the sample Navy document. No problems were encountered when importing the file into the ArborText system located in the AFCTB.

6. Raster Analysis

The tape contained one (1) Raster file. This file was evaluated using the CTN *validg4* utility. The file was reported as meeting the current CALS MIL-R-28002A specification.

The Raster file was converted using ArborText's *g42tiff* utility and the resulting file was read into Island Graphics' *IslandPaint* without a problem.

The file was converted using Inset Systems' *HiJaak* to an IMG format. This file was then imported into the Xerox Ventura *Publisher*.

The file was converted using Rosetta Technologies' *Prepare* and then displayed using *Preview*. No problems were noted.

The file was read into the CTN *calstb.475* and displayed without a problem.

7. CGM Analysis

The tape contained one (1) CGM file. This file was evaluated using ATC's *MetaCHECK* software with CALS options. This utility reported that the files meet the current CALS specification.

The file was also evaluated using the CTN *validcgm*. Several errors were reported. However, these may indicate bugs in this utility.

The file was converted using ArborText's *cym2draw* utility without a problem. The resulting file was read into Island Graphics' *IslandDraw*, displayed and printed.

When the file was imported directly into *IslandDraw*, nothing displayed or printed.

The file was read into and printed using ATC's *CGMView* without a reported problem.

The file was viewed using ATC's *MetaVIEW* without a reported problem.

The file was imported into the *Xerox Ventura Publisher* without a problem.

The CGM file meets the current CALS specification.

8. Conclusions and Recommendations

In summary, the MIL-STD-1840A tape from ArborText, Inc. was correct. The tape could be read properly using the CTN Tapetool and AGFA CAPS without any reported errors.

The IGES file did not have any reported CALS Class I errors when parsed. The file meets the CALS MIL-D-28000A specification.

The DTD and Text file parsed without error after some external references were changed to reflect ISO 8879 instead of ISO 9573. The SGML files meet the CALS MIL-M-28001A specification.

The Raster file meets the CALS MIL-R-28002A specification.

The CGM file meets the CALS MIL-D-28003 specification.

The tape meets the CALS MIL-STD-1840A requirements.

9. Appendix A - Tape Tool Report Logs

9.1 Tape Catalog

CALS Test Network Catalog Evaluation - Version 1.2; Release Number 8

Standards referenced:

MIL-STD-1840A (1987) - Automated Interchange of Technical Information

MIL-R-28003 (1988) - Digital Representation For Communication Of
Illustration Data; CGM Application Profile

ANSI X3.27 (1987) - File Structure and Labeling of Magnetic Tapes
for Information Interchange

ANSI X3.4 (1986) - Coded Character Sets - 7 Bit ASCII

Tue Oct 27 13:48:28 1992

MIL-STD-1840A File Catalog

File Set Directory: /cals/tapetool8/Set108

Page: 1

File Name	File Type	Record Format/ Length	Block Length/Total	Selected/ Extracted
D001	Document Declaration	D/00260	02048/000001	Extracted
D001C003	CGM	F/00080	00800/000026	Extracted
D001G002	DTD	D/00260	02048/000011	Extracted
D001H006	Output Specification	D/00260	02048/000026	Extracted
D001P005	PDL	D/00260	02048/000182	Extracted
D001Q004	IGES	F/00080	02000/000004	Extracted
D001R007	Raster	F/00128	02048/000006	Extracted
D001T001	Text	D/00260	02048/000018	Extracted

Catalog Process terminated normally.

9.2 Tape Evaluation Log

CALS Test Network Tape Evaluation - Version 1.2; Release Number 8

Standards referenced:

ANSI X3.27 (1987) - File Structure and Labeling of Magnetic Tapes
for Information Interchange

ANSI X3.4 (1986) - Coded Character Sets - 7 Bit ASCII

Tue Oct 27 13:48:03 1992

ANSI Tape Import Log

Allocating tape drive /dev/rmt0...

/dev/rmt0 allocated.

VOL1CAL501

jfs

4

Label Identifier: VOL1
Volume Identifier: CAL501
Volume Accessibility:
Owner Identifier: jfs
Label Standard Version: 4

HDR1D001

00010001000100 92297 99364 000000Unix4.2-mimos

Label Identifier: HDR1
File Identifier: D001
File Set Identifier:
File Section Number: 0001
File Sequence Number: 0001
Generation Number: 0001
Generation Version Number: 00
Creation Date: 92297
Expiration Date: 99364
File Accessibility:
Block Count: 000000
Implementation Identifier: Unix4.2-mimos

HDR2D0204800260

00

Label Identifier: HDR2
Recording Format: D
Block Length: 02048
Record Length: 00260
Offset Length: 00

Creation Date: 92297
Expiration Date: 99364
File Accessibility:
Block Count: 000000
Implementation Identifier: Unix4.2-mimos

HDR2D0204800260

00

Label Identifier: HDR2
Recording Format: D
Block Length: 02048
Record Length: 00260
Offset Length: 00

***** Tape Mark *****

Actual Block Size Found = 2048 Bytes.

Number of data blocks read = 18.

***** Tape Mark *****

EOF1D001T001

00010008000100 92297 99364 000018Unix4.2-mimos

Label Identifier: EOF1
File Identifier: D001T001
File Set Identifier:
File Section Number: 0001
File Sequence Number: 0008
Generation Number: 0001
Generation Version Number: 00
Creation Date: 92297
Expiration Date: 99364
File Accessibility:
Block Count: 000018
Implementation Identifier: Unix4.2-mimos

EOF2D0204800260

00

Label Identifier: EOF2
Recording Format: D
Block Length: 02048
Record Length: 00260
Offset Length: 00

***** Tape Mark *****

CTN Test Report
93-010

AFCTB Test Report
92-074

***** Tape Mark *****

End of Volume CALS01

End Of Tape File Set

Deallocating /dev/rmt0...

Tape Import Process terminated normally.

9.3 Tape File Set Validation Log

CALS Test Network File Set Evaluation - Version 1.2; Release Number 8

Standards referenced:

MIL-STD-1840A (1987) - Automated Interchange of Technical Information
MIL-R-28002 (1989) - Raster Graphics Representation In Binary
Format, Requirements For

Tue Oct 27 13:48:28 1992

MIL-STD-1840A File Set Evaluation Log

File Set: Set108

Found file: D001

Extracting Document Declaration Header Records...

Evaluating Document Declaration Header Records...

srcsys: ArborText
srcdocid: dmplan_test
srcrelid: NONE
chglvl: ORIGINAL
dteis: 19921023
dstsys: CALS Test Network
dstdocid: dmplan_test
dstrelid: NONE
dtetm: 19921023
dlvacc: NONE
filcnt: T1,G1,H1,Q1,R1,C1,P1
ttlcls: UNCLASSIFIED
doccls: UNCLASSIFIED
doctyp: Data Management Plan
doctl: XXXX Weapon System Data Management Plan

Found file: D001C003

Extracting CGM Header Records...

Evaluating CGM Header Records...

srcdocid: dmplan_test
dstdocid: dmplan_test
txtfilid: W
figid: Figure 2
srcgph: sample
doccls: UNCLASSIFIED
notes: Sample CGM file obtained from InterCAP system.

Saving CGM Header File: D001C003_HDR
Saving CGM Data File: D001C003_CGM

Found file: D001G002
Extracting DTD Header Records...
Evaluating DTD Header Records...

srcdocid: dmplan_test
dstdocid: dmplan_test
notes: Data Management Plan DTD, based on the Template in MIL-M-28001B

Saving DTD Header File: D001G002_HDR
Saving DTD Data File: D001G002_DTD

Found file: D001H006
Extracting Output Specification Header Records...
Evaluating Output Specification Header Records...

srcdocid: dmplan_test
dstdocid: dmplan_test
notes: FOSI for this document instance.

Saving Output Specification Header File: D001H006_HDR
Saving Output Specification Data File: D001H006_OS

Found file: D001P005
Extracting PDL Header Records...
Evaluating PDL Header Records...

srcdocid: dmplan_test
dstdocid: dmplan_test
txtfilid: W
doccls: UNCLASSIFIED
notes: The PostScript version of this document.

Saving PDL Header File: D001P005_HDR
Saving PDL Data File: D001P005_PDL

Found file: D001Q004
Extracting IGES Header Records...
Evaluating IGES Header Records...

srcdocid: dmplan_test
dstdocid: dmplan_test
txtfilid: W
figid: Figure 1

srcgph: orgtree
doccls: UNCLASSIFIED
notes: Sample IGES file, created by ArborText using IslandDraw

Saving IGES Header File: D001Q004_HDR
Saving IGES Data File: D001Q004_IGS

Found file: D001R007
Extracting Raster Header Records...
Evaluating Raster Header Records...

srcdocid: dmplan_test
dstdocid: dmplan_test
txtfilid: W
figid: NONE
srcgph: seal
doccls: UNCLASSIFIED
rtype: 1
rorient: 000,270
rpelcnt: 000720,000713
rdensty: 0300
notes: Sample CCITT Group 4 image (DoD Seal)

Saving Raster Header File: D001R007_HDR
Saving Raster Data File: D001R007_Gr4

Found file: D001T001
Extracting Text Header Records...
Evaluating Text Header Records...

srcdocid: dmplan_test
dstdocid: dmplan_test
txtfilid: W
doccls: UNCLASSIFIED
notes: SGML document instance. One part only.

Saving Text Header File: D001T001_HDR
Saving Text Data File: D001T001_TXT

Evaluating numbering scheme...
No errors were encountered during numbering scheme evaluation.
Numbering scheme evaluation complete.

Checking file count...
No errors were encountered during file count verification.
File Count verification complete.

CTN Test Report
93-010

AFCTB Test Report
92-074

No errors were encountered in Document D001.

No errors were encountered in this File Set.

MIL-STD-1840A File Set Evaluation Complete.

10. Appendix B - IGES Detail Analysis

10.1 File D001Q004

10.1.1 Parser/Verifier Log

```
*** IGES DATA FILE ANALYSIS ***  
***      MARCH 1992      ***  
***   IGES Data Analysis   ***  
***   (708) 449-3430     ***
```

Input file is q004.igs

Checking conformance to CALS Class I (MIL-D-28000A 2/10/92)

Today is October 27, 1992 2:35 PM

*** File and Product Name Information ***

```
File name from sender   = './C1840_TAPE_IMAGE/d001q004.data'  
File creation Date.Time = '921023.162638'  
Model change Date.Time = ''  
Author                  = ''  
Department               = ''  
Product name from sender = 'dmplan-da/dmplan_test/testliges'  
Destination product name = ''
```

*** Parameter Delimiters ***

```
Delimiter = ','  
Terminator = ';' 
```

*** Originating System Data ***

```
System ID           = 'ArborText Inc. - IslandDraw'  
Preprocessor version = 'draw2iges Version 3.0'  
Specification version = 6 (IGES 4.0)
```

*** Precision levels ***

```
Integer bits = 16  
Floating point .- Exponent = 308  Mantissa = 15  
Double precision - Exponent = 308  Mantissa = 15
```

*** Global Model Data ***

Model scale = 1.0000E+00
 Unit flag = 2
 Units = 'MM'
 Line weights = 1000
 Maximum line thickness = 1.000000E+01
 Minimum line thickness = 1.000000E-02
 Granularity = 1.000000E-02
 Maximum coordinate = 2.067870E+02

Drafting standard applicable to original data is not specified.

*** Status Flag Summary ***

Blank status:	Visible	23
	Blanked	0
Independence:	Independent	18
	Physically Subordinate	0
	Logically Subordinate	5
	Totally Subordinate	0
Entity use:	Geometry	0
	Annotation	23
	Definition	0
	Other	0
	Logical/Positional	0
	2D parametric	0
	Not Specified	0
Hierarchy:	Structure DE applies	0
	Subordinate DE applies	23
	Hierarchy property applies	0
	Not Specified	0

*** Entity Occurrence Counts ***

Entity	Form	Level	Count	Type
-----	----	-----	-----	-----
106	11	0	4	Copious data - Piecewise planar, linear string(2D path)
110	0	0	2	Line
112	0	0	2	Parametric spline curve
212	0	0	4	General note
212	7	0	5	General note - multiple stack/center justified
404	0	0	1	Drawing

	406	16	0	1	Property - Drawing size
	406	8301	0	1	IDA Property - Text style
+	406	8305	0	2	Implementor entity instance
	410	0	0	1	View - Orthographic parallel

+ Indicates use of a Implementor defined form or entity.

*** Entity Count by Level ***

Level	Count
0	23

*** Labeling Information ***

0% of the entities are labeled.

Unlabeled	23
-----------	----

*** Line Fonts Used in Data ***

100	102	104	106	108	110	112	114	
-	-	-	-	-	-	-	-	Undefined
-	-	-	4	-	2	2	-	Solid
-	-	-	-	-	-	-	-	Dashed
-	-	-	-	-	-	-	-	Phantom
-	-	-	-	-	-	-	-	Center-line
-	-	-	-	-	-	-	-	Dotted
-	-	-	-	-	-	-	-	User defined
116	118	120	122	124	125	126	128	
-	-	-	-	-	-	-	-	Undefined
-	-	-	-	-	-	-	-	Solid
-	-	-	-	-	-	-	-	Dashed
-	-	-	-	-	-	-	-	Phantom
-	-	-	-	-	-	-	-	Center-line
-	-	-	-	-	-	-	-	Dotted
-	-	-	-	-	-	-	-	User defined
130	132	134	136	138	140	142	144	
-	-	-	-	-	-	-	-	Undefined
-	-	-	-	-	-	-	-	Solid
-	-	-	-	-	-	-	-	Dashed
-	-	-	-	-	-	-	-	Phantom

- - - - - - - - - Center-line
- - - - - - - - - Dotted
- - - - - - - - - User defined

*** Line Widths Used in Data ***

Weight	Count	Width
Defaulted	9	(0.0100)
1	6	(0.0100)
35	8	(0.3500)

*** Colors Used in Data ***

Defaulted	6
Black	17

***** ENTITY ANALYSIS *****

*** Entity type: 106

*** Entity type: 110

-- 2 lines averaging 6.350000E+00 units --

*** Entity type: 112

*** Entity type: 212

14 text strings in data file.
Average text aspect ratio in file is 0.7412306.
Minimum text aspect ratio in file is 0.5882811.
Maximum text aspect ratio in file is 1.0667577.

FONTS USED IN FILE

FONT	COUNT	NAME
1	14	Default ASCII Style

*** Entity type: 404

Drawing at D 5 contains 1 views.
Drawing at D 5 contains 0 annotation entities.

*** Entity type: 406

*** Entity type: 410

Scale of view at D 1 is 1.000000E+00.
Orthographic View entity at D 1 has 0 clipping planes specified.
XMIN = Not Set XMAX = Not Set
YMIN = Not Set YMAX = Not Set
ZMIN = Not Set ZMAX = Not Set

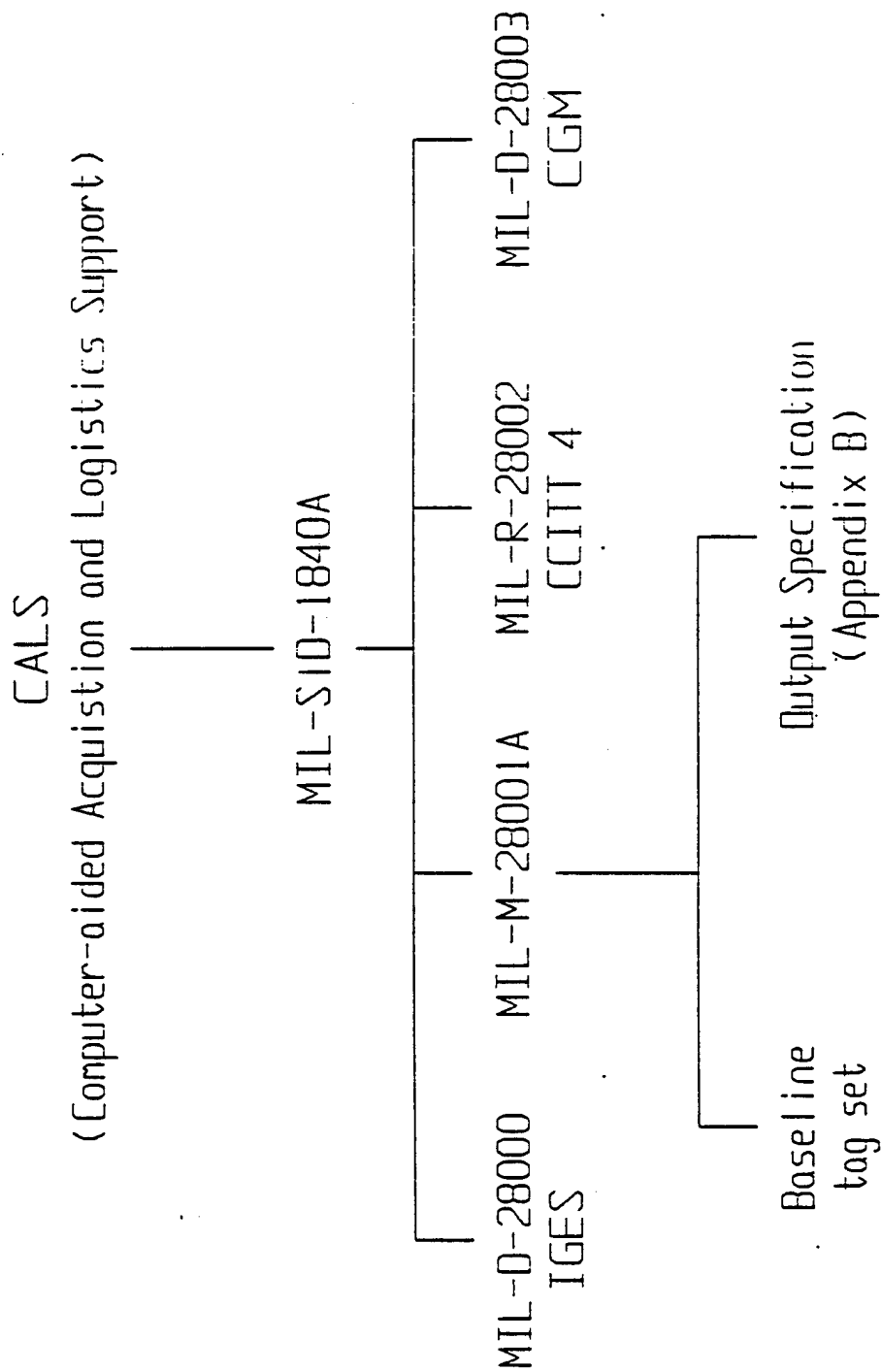
*** Message Summary ***

*** Error Summary ***

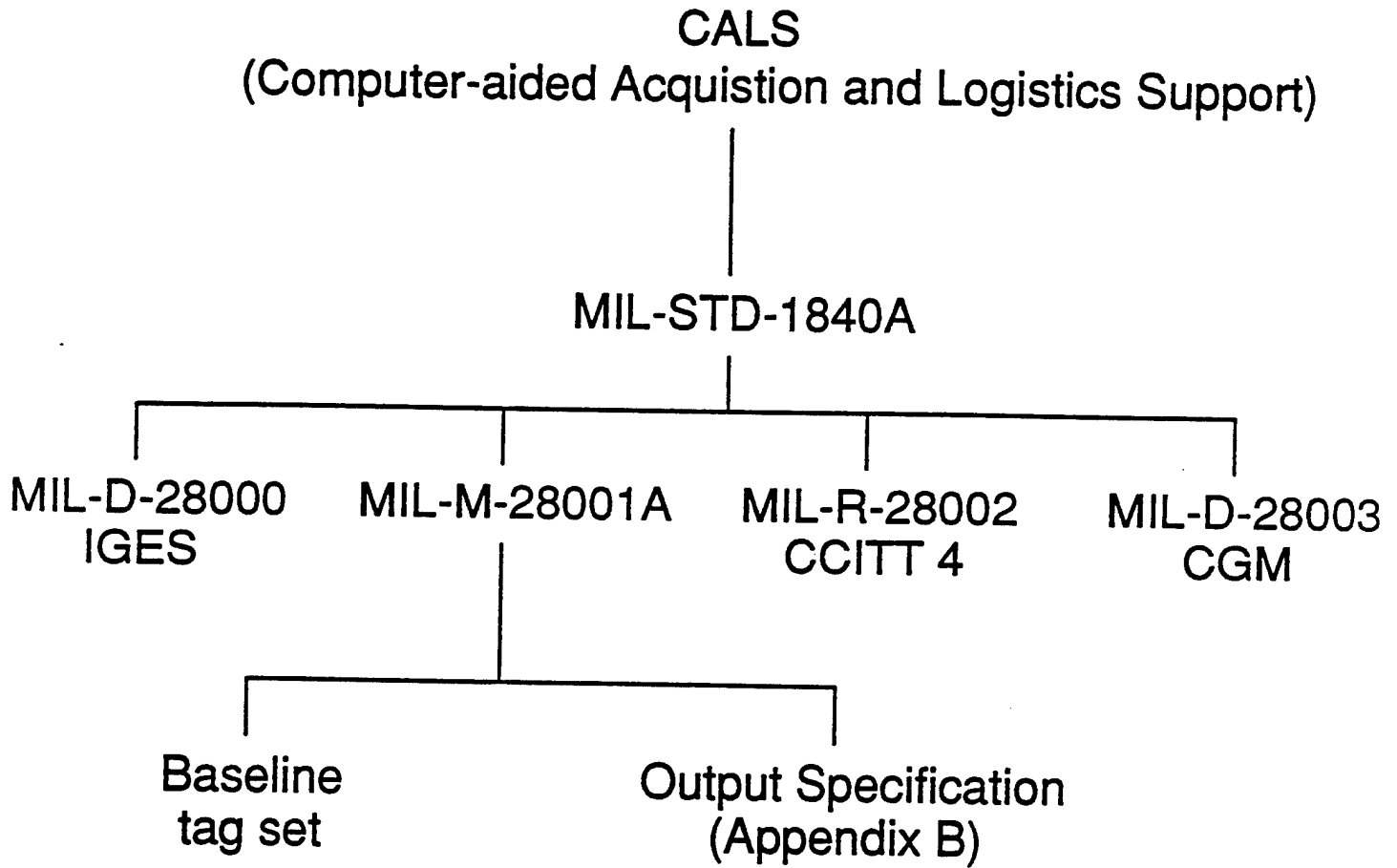
0 fatal errors
0 severe errors
0 errors
0 warnings
0 cautions
0 nitpicks
0 notes

*** End of Analysis of q004.igs ***

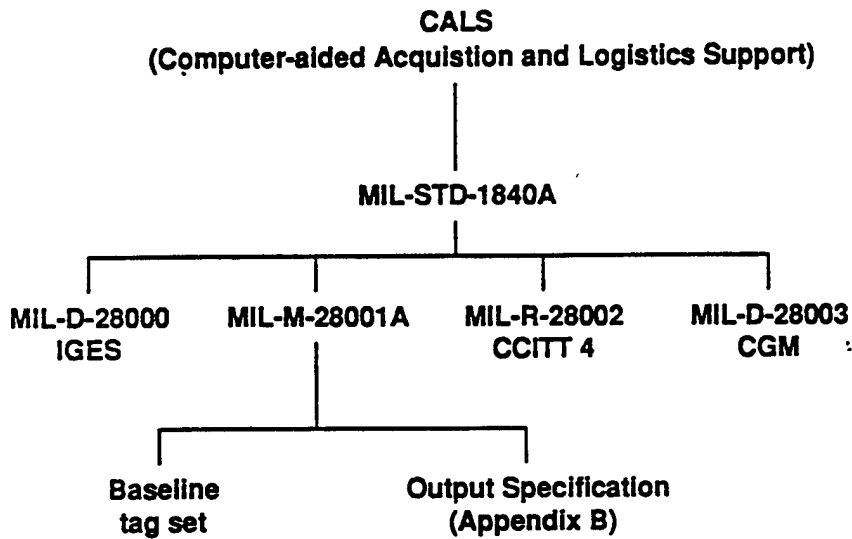
10.1.2 Output Cadkey v4.06



10.1.3 Output IGESView



10.1.4 Output IslandDraw



11. Appendix C - SGML Detail Analysis

11.1 Exoterica Parser

See comments in text, section 5.

12. Appendix D - Raster Detail Analysis

12.1 File D001R007

12.1.1 Output IslandPaint



13. Appendix E - CGM Detail Analysis

13.1 File D001C003

13.1.1 Parser Log MetaCHECK

MetaCHECK Version 2.05 -- CGM/MIL-D-28003 Conformance Analyzer
Copyright 1988-91 CGM Technology Software
Execution Date: 10/27/92 Time: 14:46:50

Metafile Examined : \9274\d001c003.

Pictures Examined : All

Elements Examined : All

Bytes Examined : All

=====
Trace Report
=====

Tracing not selected.

=====
CGM Conformance Violation Report
=====

No Errors Detected

=====
CALC CGM Profile (MIL-D-28003) Report
=====

No profile discrepancies detected.

=====
Conformance Summary Report
=====

MetaCHECK Version 2.05 -- CGM/MIL-D-28003 Conformance Analyzer
Copyright 1988-91 CGM Technology Software
Execution Date: 10/27/92 Time: 14:46:54

Name of CGM under test: \9274\d001c003.

Encoding : Binary

Pictures Examined : All

Elements Examined : All

Bytes Examined : All

BEGIN METAFILE string : "dmplan-da/dmplan_test/test1cgm"

METAFILE DESCRIPTION : "Arbor Text draw2cgm version 1.06 ***"

MIL-D-28003/BASIC-1"

Picture 1 starts at octet offset 182; string contains: ""

Conformance Summary : This file conforms to the CGM specification.

This file meets the CALS CGM Profile (MIL-D-28003).

Summary of Testing Performed and Errors Found:

1 Pictures Tested
180 Elements Tested
19650 Octets Tested

```
=====
| No Errors Were Detected |
=====
```

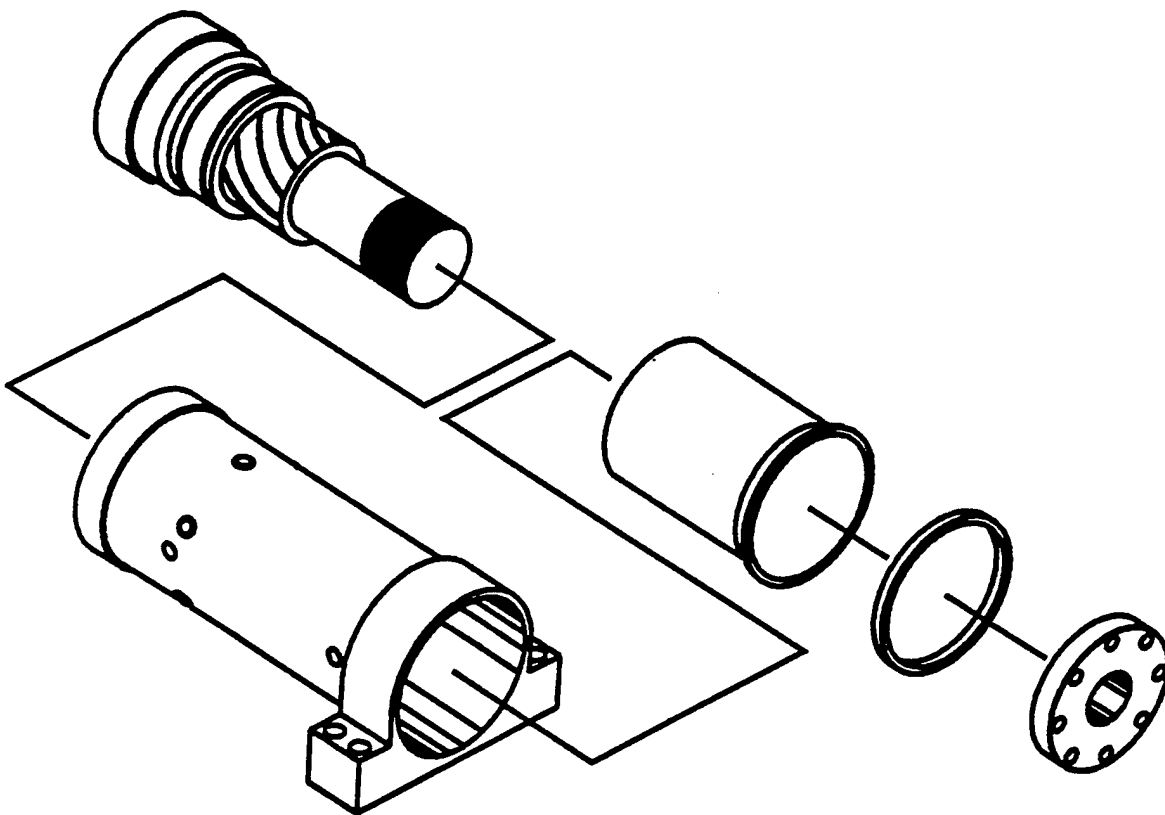
=====
===== End of Conformance Report =====

13.1.2 validcgm Log

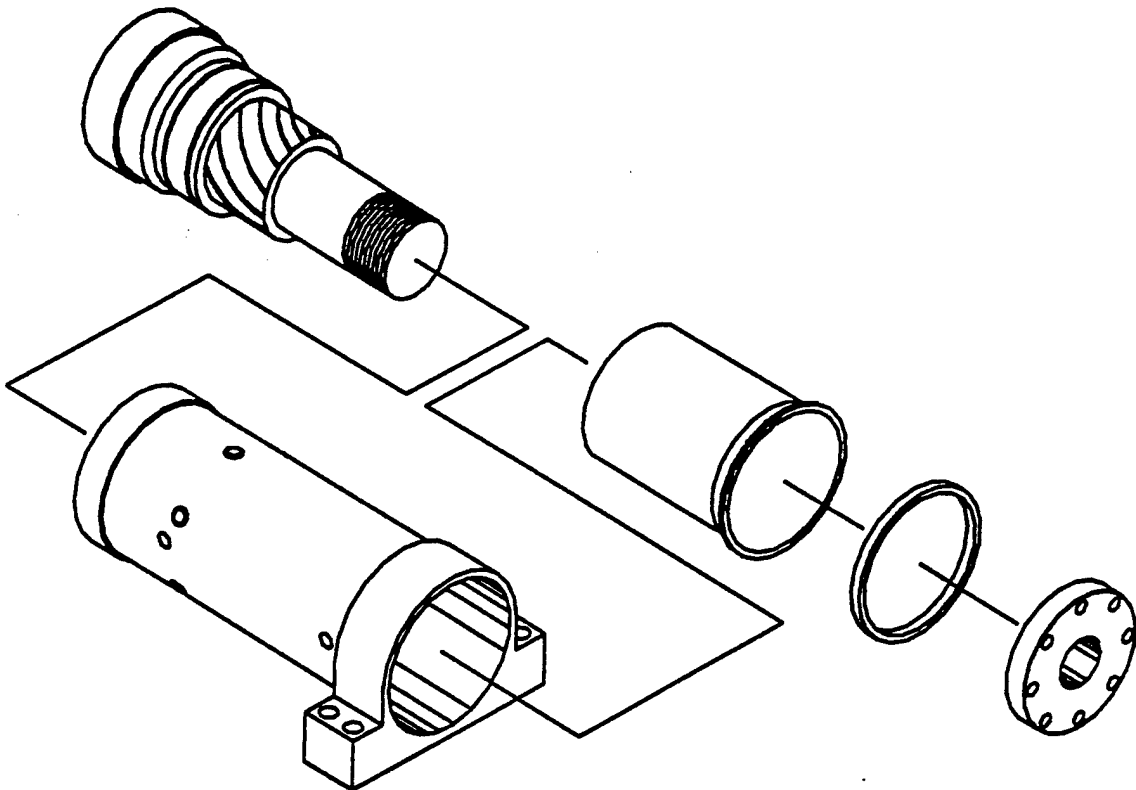
Analysis for file c003.cgm using table table
ERROR: invalid times used per CGM (2), std B
ERROR: invalid times used per Picture (2), std B
(14, 160) (1, 12, 10) Metafile Defaults Replacement
ERROR: illegal in this state (2), std B
ERROR: required precursor (0, 3) not yet seen
(14.1, 0) (2, 6, 8) VDC Extent (0, 0) (32767, 32767)
ERROR: invalid times used per CGM (3), std B
ERROR: invalid times used per Picture (3), std B
(15, 172) (1, 12, 4) Metafile Defaults Replacement
ERROR: illegal in this state (2), std B
ERROR: required precursor (0, 4) not yet seen
(15.1, 0) (5, 11, 2) Text Precision Stroke
(0, 1) occurred 1 time
(0, 2) occurred 1 time
(0, 3) occurred 1 time
(0, 4) occurred 1 time
(0, 5) occurred 1 time
(1, 1) occurred 1 time
(1, 2) occurred 1 time
(1, 3) occurred 1 time
(1, 4) occurred 1 time
(1, 5) occurred 1 time

(1, 6) occurred 1 time
(1, 7) occurred 1 time
(1, 8) occurred 1 time
(1, 9) occurred 1 time
(1, 10) occurred 1 time
(1, 11) occurred 1 time
(1, 12) occurred 3 times
(1, 12) occurred illegally 2 times
(1, 15) occurred 1 time
(2, 1) occurred 1 time
(2, 2) occurred 1 time
(2, 3) occurred 1 time
(2, 4) occurred 1 time
(2, 5) occurred 1 time
(2, 6) occurred 2 times
(2, 6) occurred illegally 1 time
(2, 7) occurred 1 time
(3, 1) occurred 1 time
(4, 1) occurred 146 times
(4, 7) occurred 4 times
(5, 11) occurred 1 time
(5, 11) occurred illegally 1 time
(5, 22) occurred 1 time
(5, 23) occurred 1 time
(5, 34) occurred 1 time

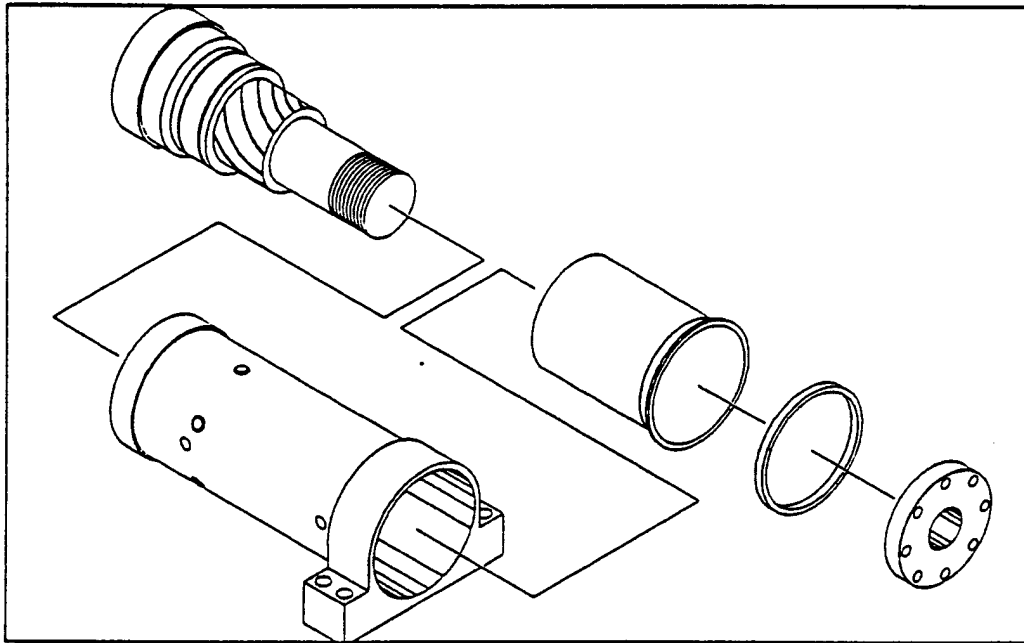
13.1.3 Output CGM-View



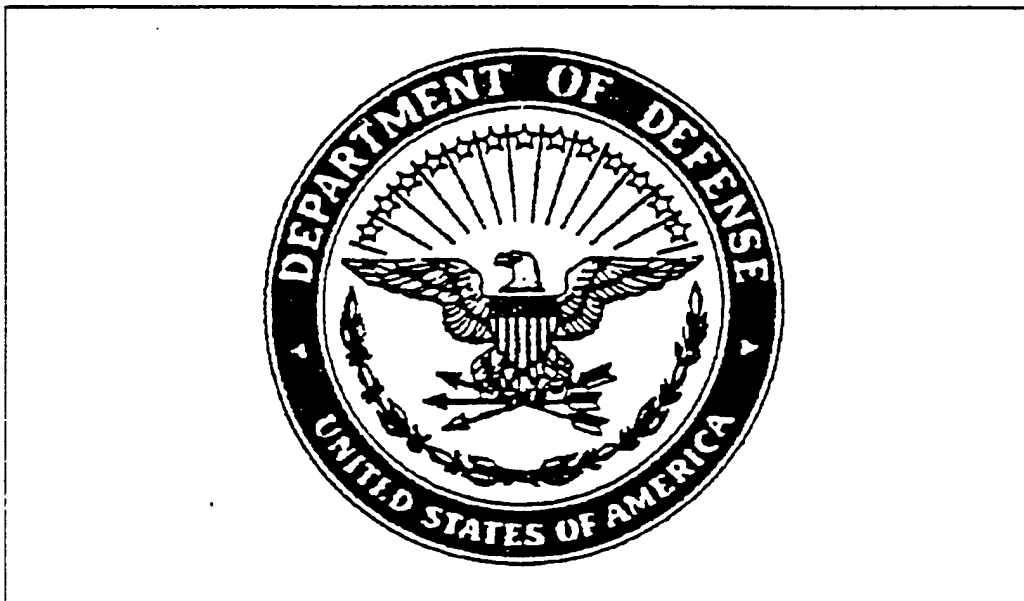
13.1.4 Output cgm2draw/IslandDraw



13.1.5 Output Ventura Publisher



D001C003



D001R007