

ARMY RESEARCH LABORATORY



# The Generation, Use, and Misuse of "PKs" in Vulnerability/Lethality Analyses

by Paul H. Deitz  
and Michael W. Starks

ARL-TR-1640

March 1998

19980324 033

DTIC QUALITY INSPECTED-1

Approved for public release; distribution is unlimited.

**The findings in this report are not to be construed as an official Department of the Army position unless so designated by other authorized documents.**

**Citation of manufacturer's or trade names does not constitute an official endorsement or approval of the use thereof.**

**Destroy this report when it is no longer needed. Do not return it to the originator.**

# **Army Research Laboratory**

Aberdeen Proving Ground, MD 21005-5068

---

---

**ARL-TR-1640**

**March 1998**

---

---

## **The Generation, Use, and Misuse of “PKs” in Vulnerability/Lethality Analyses**

**Paul H. Deitz, Michael W. Starks**  
Survivability/Lethality Analysis Directorate, ARL

---

---

## Abstract

---

Beginning with World War II and its aftermath, the area of ballistic vulnerability/lethality (V/L) was first defined as a specific discipline within the field of ballistics. As the field developed, various practices and metrics emerged. In some cases metrics were developed that were abstractly useful but bore no direct relationship to field observables. In the last decade, as issues concerning Live-Fire strategies have gained importance, increased attention has been focused on V/L with the intent of bringing greater rigor and clarity to the discipline. In part this effort has taken the form of defining a V/L Taxonomy, which is a method of decomposing a series of concatenated complex processes into separable, less-complex operations, each with certain specifiable properties and relationships.

Using the Taxonomy, this report describes the most commonly used V/L metrics are a function of platform *aggregate damage*, reduced platform *capability*, and reduced *military utility*. We show that these three distinct and separable classes of metrics are linked by operators that are multivariate, stochastic, and nonlinear. We also show that it is useful to form probability distributions with respect to initial and boundary conditions in order to characterize damage, capability, and utility. Many defense community studies ignore these distinctions to the detriment of fundamental clarity. Examples are given and potential remedies described.

## **Preface**

This report is an expanded version of a paper presented at the 8th Annual Tank-Automotive Research, Development, and Engineering Center Symposium, held at the Naval Postgraduate School in Monterey, CA, 25-27 March 1997.

INTENTIONALLY LEFT BLANK.

# Table of Contents

	<u>Page</u>
<b>Preface</b> .....	iii
<b>List of Figures</b> .....	vi
<b>List of Tables</b> .....	vi
<b>INTRODUCTION</b> .....	1
<b>V/L FRAMEWORK</b> .....	2
<b>Levels, Operators, and Mapping Abstraction</b> .....	2
<b>O<sub>1,2</sub> Mapping</b> .....	2
<b>O<sub>2,3</sub> Mapping</b> .....	4
<b>O<sub>3,4</sub> Mapping</b> .....	5
<b>O<sub>0,1</sub> Mapping</b> .....	5
<b>O<sub>-1,0</sub> Mapping</b> .....	5
<b>Stochastic Mapping, Repeated Sampling, and Probabilities</b> .....	5
<b>Lethality Contrasted with Vulnerability</b> .....	6
<b>PAST WARGAME EFFECTIVENESS PRACTICE</b> .....	8
<b>FORCE-LEVEL ISSUES</b> .....	9
<b>EXAMPLE: PROPER V/L FORCE-LEVEL LINKAGE</b> .....	9
<b>Utility Mapping: Approach One</b> .....	12
<b>Utility Mapping: Approach Two</b> .....	13
<b>Utility Mapping: Conclusions</b> .....	13
<b>CONCLUSIONS</b> .....	13
<b>Distribution List</b> .....	15
<b>Report Documentation Page</b> .....	31

INTENTIONALLY LEFT BLANK.

## List of Figures

<u>Figure</u>	<u>Page</u>
1. V/L Taxonomy Illustrated <i>via</i> a Mapping Abstraction .....	3
2. Examples of Expansive and Contractive Mappings .....	6
3. Levels of Relevance to Lethality and Vulnerability .....	7
4. Illustrative Examples of Actual versus (Mission) Required Platform Measures-of-Capability .....	11

## List of Tables

<u>Table</u>	<u>Page</u>
I. Composition of Vectors at Each Level .....	4

INTENTIONALLY LEFT BLANK.

# THE GENERATION, USE, AND MISUSE OF "PKs" IN VULNERABILITY/LETHALITY ANALYSES

*Dr. Paul H. Deitz and Dr. Michael W. Starks*

Survivability/Lethality Analysis Directorate  
US Army Research Laboratory, Aberdeen Proving Ground, MD 21005-5068

## ABSTRACT

Beginning with World War II and its aftermath, the area of ballistic vulnerability/lethality (V/L) was first defined as a specific discipline within the field of ballistics. As the field developed, various practices and metrics emerged. In some cases metrics were developed that were abstractly useful but bore no direct relationship to field observables. In the last decade, as issues concerning Live-Fire strategies have gained importance, increased attention has been focused on V/L with the intent of bringing greater rigor and clarity to the discipline. In part this effort has taken the form of defining a *V/L Taxonomy*, which is a method of decomposing a series of concatenated complex processes into separable, less-complex operations, each with certain specifiable properties and relationships.

Using the Taxonomy, this report describes how the most commonly used V/L metrics are a function of platform *aggregate damage*, reduced platform *capability*, and reduced platform *military utility*. We show that these three distinct and separable classes of metrics are linked by operators that are multivariate, stochastic, and nonlinear. We also show that it is useful to form probability distributions with respect to initial and boundary conditions in order to characterize damage, capability, and utility. Many defense community studies ignore these distinctions to the detriment of fundamental clarity. Examples are given and potential remedies described.

## INTRODUCTION

Beginning with World War II and its aftermath, the area of ballistic vulnerability/lethality (V/L) was first defined as a specific discipline within the field of ballistics. As the field developed, various practices and metrics emerged. Certainly the best-known metrics normally produced by the V/L community are "PKs" or "Probability of Kills." Following the establishment of Live-Fire regulation<sup>1</sup> in the last decade, the concomitant issues of Live-Fire Test (LFT) strategies and model verification, validation, and accreditation (VV&A) have gained importance. Increased attention has been focused on V/L with the intent of bringing greater rigor and clarity to the discipline. For example, some of the V/L metrics used for many years and commonly referred to as "PKs" are not probabilities at all but are a kind of expected-value utility function, constructed with the aim of describing the battle value of a damaged platform. However, long-standing practice in the wargame modeling communities has been to use these numbers as probabilities.

The outcomes of actual live-fire field shots have often been assessed in terms of probabilities of kill, in spite of the fact that what has been observed is in fact a single outcome from a probability space. This practice is conceptually equivalent to reporting a football game outcome after the fact in terms of a probability of win.

The particular focus of this report is on the proper coupling of V/L metrics with wargames and other emerging forms of distributed force-level simulation. Our purpose here is not to decry the methods and practices of our forebears, but rather to describe a logical set of steps associated with the practice of V/L, and how they now might be implemented in the emerging world of increasingly powerful computers, high-level architectures, and distributed interactive simulations.

---

1. *Live Fire Testing*, National Defense Authorization Act for FY 1987, Chapter 139, Section 2366 of Title 10, United States Code.

## V/L FRAMEWORK

We recall that vulnerability generally refers to the assessment of damage and dysfunction visited on a blue (friendly) military platform. By contrast, lethality generally refers to the assessment of damage and dysfunction on a red military platform. Starting about a decade ago, we have asserted that the study of vulnerability can be separated into four fully separable and sequential levels or spaces each connected with a mapping operator. These notions are explained in detail elsewhere,<sup>2-4</sup> and we build upon those ideas here.

The totality of vulnerability can be partitioned among three kinds of descriptors: (1) damage to the target, (2) loss of platform (*i.e.*, target) functional capability, and (3) reduction in battlefield utility. Each of these descriptors is characterized using the V/L Taxonomy abstraction.

### Levels, Operators, and Mapping Abstraction

Figure 1 illustrates six levels (or mathematical spaces) labeled **Level -1]** through **Level 4]**. Each **Level** represents distinct and separable classes of observables covering the gamut of weapons effectiveness. Each bullet in a **Level** represents a vector, which is characterized by a set of physical parameters. The composition of the vectors at each level is particular to the **Level**. A vector at one **Level** can be mapped to a vector at the next **Level** by an **Operator**. The operators are represented by the notation  $O_{p,q}$ , in which  $p$  represents the **Level** on which the input vector ( $v_p$ ) resides and  $q$  denotes the **Level** on which the output vector ( $v_q$ ) resides. Thus a vector at the  $p$  level can be written:

$$v_q = O_{p,q} \{ v_p \} \quad (1)$$

It is important to understand that the vector  $v_q$  has specific observable physical or engineering properties and *is not a probability*. However, the operator  $O_{p,q}$  is normally stochastic, so probability distributions can be *inferred* by repetitively operating on a single  $v_p$  vector in order to generate a population of  $v_q$  vectors.

### $O_{1,2}$ Mapping

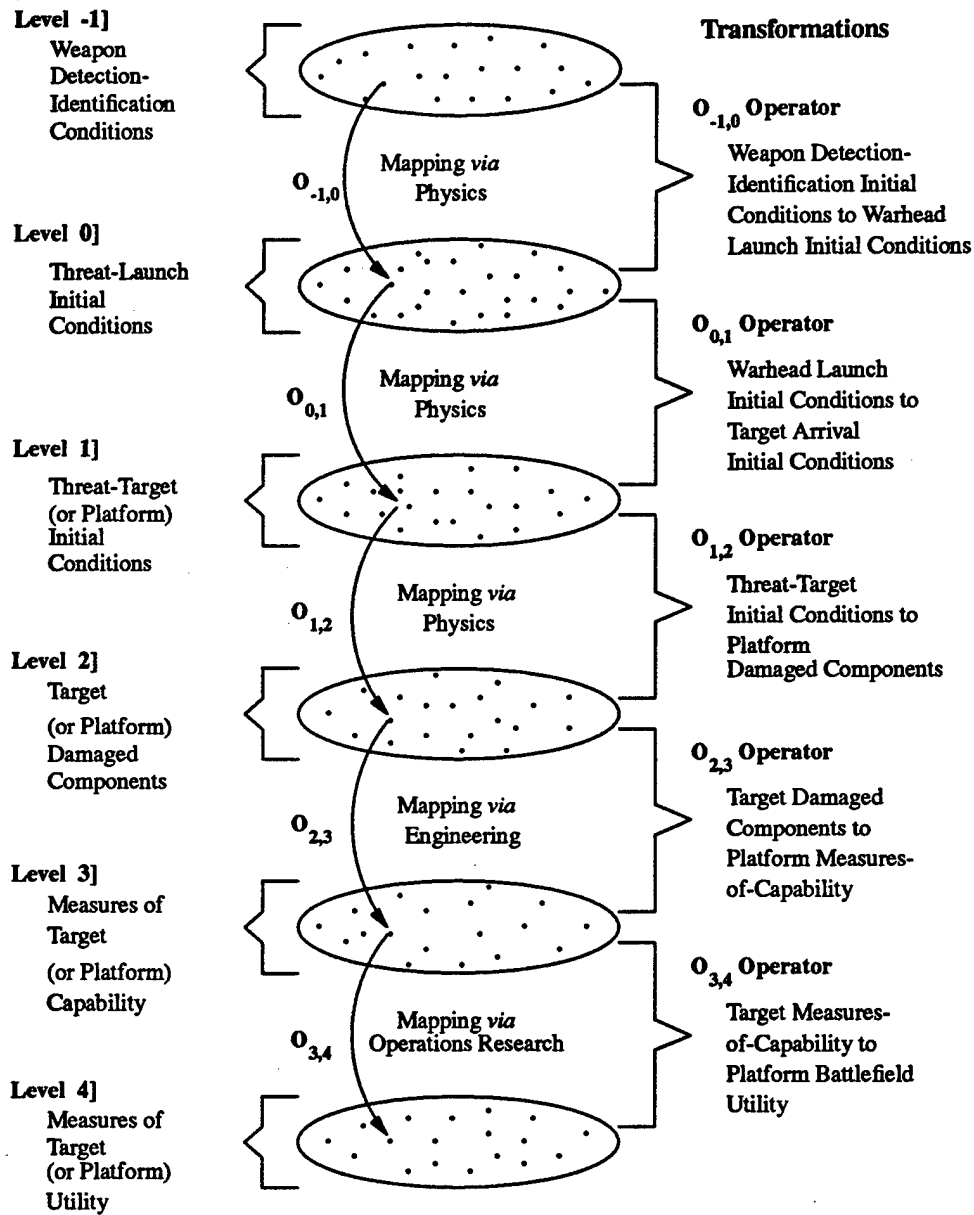
For reasons that become clear later, we will start with **Level 1]** as depicted in Fig. 1. Each bullet within the space of **Level 1]** represents a vector describing the warhead (or threat) and target (including kinematics) as a vulnerability event is initiated. Table I gives a listing of the levels, vectors, and vector descriptors. A useful way to view the vector  $v_1$  is as a descriptor for the initial conditions for a live-fire shot. The operator  $O_{1,2}$  is the nonlinear, multivariate, stochastic operator that maps live-fire initial conditions to **Level 2]**, damaged components.

At **Level 2]** the outcome space of vectors represents the list of platform components either not killed ( $\square$ ) or killed ( $\blacksquare$ ).<sup>†</sup> This information is extremely valuable and provides the foundation for all further vulnerability. The damage vector enumerates crew casualties, ammunition, and fuel catastrophic events and the status of all other critical and ancillary components on board the platform. At this point platform survivability is assessed. One of the lessons learned from live-fire and the supporting modeling efforts is that the outcome space at **Level 2]** is large. For some overmatching munitions against armored ground vehicles, we estimate an outcome space in excess of

2. Paul H. Deitz and Aivars Ozolins, *Computer Simulations of the Abrams Live-Fire Field Testing*, Proceedings of the XXVII Annual Meeting of the Army Operations Research Symposium, 12-13 October 1988, Fort Lee, VA; also US Army Ballistic Research Laboratory Memorandum Report BRL-MR-3755, May 1989.
3. J. Terrence Klopocic, Michael W. Starks, and James N. Walbert, *A Taxonomy for the Vulnerability/Lethality Analysis Process*, US Army Ballistic Research Laboratory Memorandum Report BRL-MR-3972, May 1992.
4. Paul H. Deitz, *A V/L Taxonomy for Analyzing Ballistic Live-Fire Events*, Proceedings of the 46th Annual Bomb & Warhead Technical Symposium, 13-15 May 1996, Monterey, CA; also appears in *Modeling Ballistic Live-Fire Events Trilogy*, US Army Research Laboratory Technical Report ARL-TR-1274, December 1996.

<sup>†</sup> Throughout the V/L business there is a seminal issue that involves the characterization of damage. In the extreme, the analyst can choose damage descriptors that are either Bernoulli in outcome (kill/no-kill) or fractional (values  $0.0 \leq [\text{Fractional Capability}] \leq 1.0$ ). This issue arises not only with component damage at **Level 2]** but with platform capability at **Level 3]** as well. The Army Research Laboratory generally uses the Bernoulli method to describe component dysfunction for a number of theoretical and pragmatic reasons. This issue is discussed further in Paul H. Deitz, Jill H. Smith, and John H. Suckling, *Comparisons of Field Tests with Simulations: Abrams Program Lessons Learned*, Proceedings of the XXVIII Annual Meeting of the Army Operations Research Symposium, 11-12 October 1989, Fort Lee, VA, pp. 108-128; also US Army Ballistic Research Laboratory Memorandum Report BRL-MR-3814, March 1990. See also the Appendix to Ref. 14.

## Levels - Descriptors



**Fig. 1. V/L Taxonomy illustrated via a Mapping Abstraction.** The ellipses in the middle column represent mathematical spaces. The bullets ( $\bullet$ ) contained within the spaces represent vectors (represented elsewhere in the paper as  $v_p$ ). The arrows represent mapping operators that take a vector at one Level and perform a mapping to the next lower Level. On the left, the descriptors for the various levels are given; on the right, the actions of the various operators. Note the single connected path of arrows from Level -1] to Level 4] represents a single sample in an end-to-end connected process. As shown here, the initial conditions at Level -1] could be drawn stochastically or input deterministically. Since many of the succeeding operators ( $O_{-1,0}$  to  $O_{3,4}$ ) are stochastic, the results from Level 0] through Level 4] usually represent a set of connected stochastic metrics in outcome space.

Level	Vector	Vector Descriptors
-1]	$v_{-1}$	Physical Characteristics Leading to Decision to Fire
0]	$v_0$	Physical Characteristics of Threat at Launch
1]	$v_1$	Threat Geometry & Material, Platform Geometry & Material, Threat Kinematics & Orientation vs. Platform
2]	$v_2$	Status of Platform Damage: <i>i.e.</i> , Non-Killed ( □ ) and Killed ( ■ ) Components → Platform Survivability
3]	$v_3$	Platform Capability: <i>e.g.</i> , Mobility, Firepower, and Commo Functions
4]	$v_4$	Platform Utility: <i>e.g.</i> , Does Platform Survive? (From Level 2]), Does Platform Perform Specific Mission?

**Table I. Composition of Vectors at Each Level.** In the left column are the levels corresponding to those shown in Fig. 1. In the middle are the related vector symbols. On the right are descriptions of the vector compositions at each level.

$30 \times 10^6$ . This makes model validation problematic for multiple reasons. The size of the outcome space precludes exercising the model sufficiently even to compute a simple majority of the possible predicted outcomes. Having normally only a single field outcome to compare with the model provides limited utility.

### $O_{2,3}$ Mapping

As noted in Fig. 1, the  $O_{2,3}$  operator takes a Level 2] damage vector and maps it to a platform-level capability vector at Level 3]. Such vectors are normally measurable quantities that relate directly to the ability of the platform to support particular mission functions. Table I lists **Mobility**, **Firepower**, and **Communication** as examples. In a later section, we further refine these capabilities and show how they can be appropriately linked to a wargame. The  $O_{2,3}$  mapping process was developed at the US Army Research Laboratory (ARL) over the past decade<sup>5,6</sup> and is called the Degraded States Vulnerability Methodology. The methods have been applied to a number of ground<sup>7</sup> and air systems.<sup>8</sup> Additionally, this mapping replicates the Reliability, Availability, and Maintainability (RAM) process<sup>9</sup> as well as the inverse path needed to effect the repair of battle damage. We suggest that Level 3] metrics correspond to what the Operations Research community normally refers to as Measures-of-Performance (MoPs).

5. John M. Abell, Lisa K. Roach, and Michael W. Starks, *Degraded States Vulnerability Analysis*, US Army Ballistic Research Laboratory Technical Report BRL-TR-3010, June 1989.
6. Lisa K. Roach, *The New Degraded States Vulnerability Methodology (DSVM): A Change in Philosophy and Approach*, US Army Research Laboratory Technical Report ARL-TR-1223, November 1996.
7. John M. Abell, Mark D. Burdeshaw, and Bruce A. Rickter, *Degraded States Vulnerability Analysis: Phase I*, US Army Ballistic Research Laboratory Technical Report BRL-TR-3161, October 1990.
8. Robert W. Kunkel, Jr., *Degraded States and Fault Tree Analysis of the LONGBOW APACHE (LBA)*, US Army Research Laboratory Technical Report ARL-TR-801, July 1995.
9. Lisa K. Roach, *Fault Tree Analysis and Extensions of the VIL Process Structure*, US Army Research Laboratory Technical Report ARL-TR-149, June 1993.

### $O_{3,4}$ Mapping

In order to execute properly the  $O_{3,4}$  mapping, we need to move into the context of a wargame. The platform under scrutiny is located in a certain place/time. A specific set of tactics and doctrine is in operation, and a specific scenario is being realized. Let us assume our platform has received exactly one hit. This action has (presumably) caused some number of components to have been killed and, as a result, some loss of capability at Level 3]. The operator  $O_{3,4}$ , based on the next mission of the game, calls for a particular action. This action would normally be within the capability of an undamaged platform. If the damaged platform can nevertheless still perform the action, it retains its battlefield utility. If not, the platform fails. We describe a notional example of this process near the end of the report. We believe that Level 4] metrics correspond to what the Operations Research community normally refers to as Measures-of-Effectiveness (MoEs).

We have posed this process in the context of a platform receiving its *first* hit and *first* damage. In addition to the problematic way most current Level 4] metrics are constructed,<sup>∞</sup> they are normally used as a basis for a random draw in the context of the wargame. If the draw is true, the vehicle is withdrawn from the game. If not, it continues undamaged. Multiple hits of like kind or damage from other threats (e.g., chemical, nuclear, electromagnetic) are all posed as PKs, under the assumption that no prior damage has occurred to the platform. These multiple hits are normally processed via the *Survivor Rule*.<sup>‡</sup> Thus, in addition to the individual metrics being flawed, combining a sequence of damages without regard to the fact that they have been each calculated using a pristine (i.e., undamaged) platform and combining damage without regard to the order in which it has occurred by aggregation are problematic.<sup>□</sup>

### $O_{0,1}$ Mapping

We have so far described the process of vulnerability beginning with Level 1]. The V/L Taxonomy was originally generated in order to investigate the process of vulnerability. Standard practice in vulnerability is to *assume* a particular warhead hit condition. This is why the level for vulnerability initial conditions is labeled Level 1].

By contrast, lethality often includes a prefactor in vulnerability, the warhead hit dispersion. Thus in Fig. 1, we have added Level 0] to connote the warhead launch initial conditions and the operator  $O_{0,1}$ , which takes the warhead and computes the dispersion statistics as input (as needed) to Level 1] for a subsequent  $O_{1,2}$  computation.

### $O_{-1,0}$ Mapping

For completeness, we have added Level -1]. This is the level in which the inputs into the target detection and identification processes fit. The operator  $O_{-1,0}$  takes the relevant initial conditions and maps them both to a decision to fire and the configuration of the threat launcher.

### Stochastic Mapping, Repeated Sampling, and Probabilities

Turning our attention once again to Fig. 1, we have described six levels connected by five mapping operators. Although some of the operators are stochastic,<sup>§</sup> no vector outcome at any of the Levels is a probability. The set of connected mapping arrows begins by initiating an action at Level -1] and carries the continuous thread through to Military Utility at Level 4]. If probability distributions are needed at any particular level, they can be *inferred* by repetitively initiating model runs beginning at least one level above the particular level of interest.

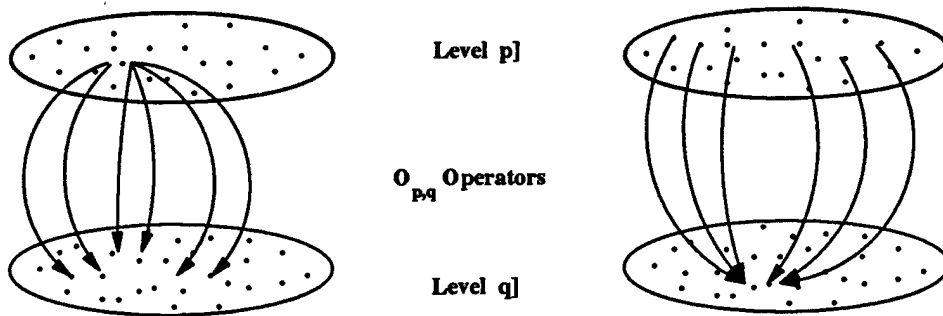
<sup>∞</sup> As we discuss later, most ground-system PKs actually begin life as a "fractional loss of battlefield utility" and then are averaged over a wide range of weighted missions. They are mistakenly assumed equivalent to and used as PKs.

<sup>‡</sup> The Survivor Rule as used here states that the overall PK for a platform attacked by  $n$  independent threats, each characterized with its own  $PK_i$ , is given by:

$$PK = 1 - \left[ [1 - PK_1] \times [1 - PK_2] \times \dots [1 - PK_n] \right]$$

<sup>□</sup> Lest the reader think this is not a problem, consider the cases of (1) an artillery attack on an armored personnel carrier (APC) that causes a number of perforations to the armor but otherwise does no damage, followed by (2) the deposit of a chemical agent on the APC. These attacks when assessed *independently* against the APC have no effect. When assessed together, the outcome might be very different.

<sup>§</sup> Operators  $O_{-1,0}$ ,  $O_{0,1}$ , and  $O_{1,2}$  are fully stochastic. The representation of the  $O_{2,3}$  operator via the current Degraded States Vulnerability Methodology is currently deterministic. The  $O_{3,4}$  mapper could be implemented either way. A deterministic method would probably be adequate.



**Fig. 2. Examples of Expansive and Contractive Mappings.** On the left is an example of multiple mappings that go from few to the many. On the right is an example of multiple mappings that go from many to few.

In order to gain a sense of how the stochastic replications might behave, we refer to Fig. 2. On the left is an example of what might be called an Expansive Mapping. In this case, a single set of inputs (indicated by a single vector at Level p]), when repetitively mapped, will tend to terminate at different vectors (at Level q]). Our modeling experience tells us that the Operators  $O_{-1,0}$ ,  $O_{0,1}$ , and  $O_{1,2}$  can be expected to behave this way. The  $O_{2,3}$  operator, as implemented *via* Degraded States, is deterministic and strictly a one-to-one mapping. Since the dimensions of Level 3] are far lower than Level 2], the  $O_{2,3}$  operator and most likely the  $O_{3,4}$  operator will have the effect of contracting the number of vectors in the outcome levels. This behavior is illustrated on the right of Fig. 2.

The overall picture one can gain from the process when repetitively sampled from top to bottom is one in which the population of vectors grows rapidly through Levels 0] through 2] and then contracts rapidly through Levels 3] and 4]. The very magnitude in the population of the intermediate levels attests to the specific nature of the vectors at a given level and the way in which they feed into the ensuing operator. Clearly, unless these statistics are understood very well for the ranges of needed parameters, averaging at too low a level can place ensuing results in doubt.

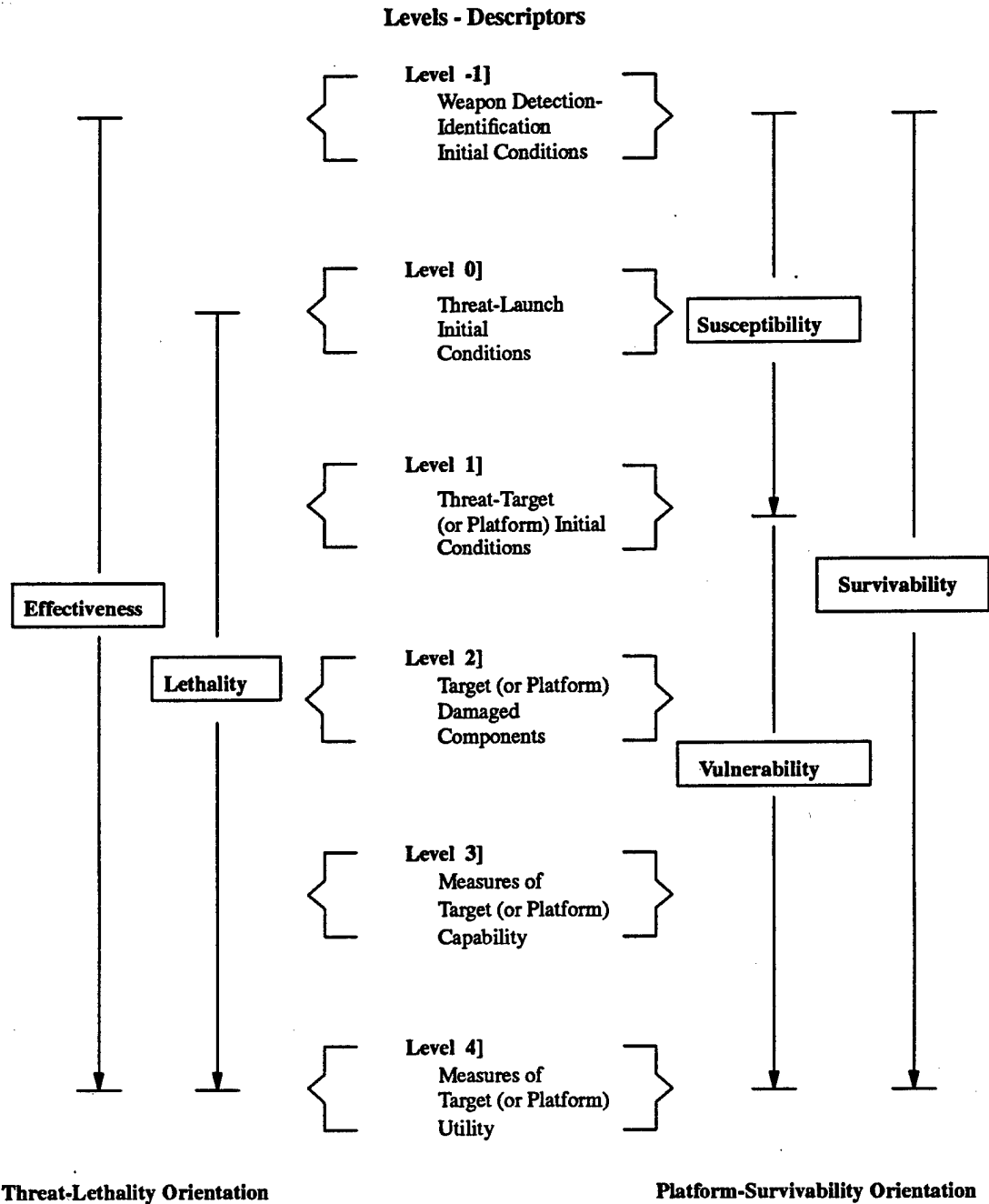
### *Lethality Contrasted with Vulnerability*

Previously we noted some typical differences between the way lethality and vulnerability are normally construed. In Fig. 3, we have reproduced the six levels and have attempted to show how various descriptive labels are normally used by the community at large.<sup>†</sup>

Although many of the tools for V/L are commonly shared, there are differing motives for those who develop weapons (*e.g.*, missiles and gun munitions) and examine lethality *vs.* those building military platforms (*i.e.*, ships, tanks, aircraft) who focus on vulnerability. The concerns of the former are shown on the left from the standpoint of Threat-Lethality Orientation. The concerns of the latter are shown on the right from the standpoint of Platform-Survivability Orientation. From the standpoint of weapons optimization, Lethality is shown as beginning with the weapon launch. Overall Effectiveness might extend the process back one level to include Target Detection-Identification. From the standpoint of platform survivability, vulnerability is shown as the end-game process *beginning* with the munition hit. Susceptibility can be viewed as all of the prior processes that lead to the hit initiation at Level 1]. Survivability can be viewed as the end-to-end process in which susceptibility and vulnerability are combined.

One important manifestation of the difference in which these two communities view their need sets can be seen in the context of Live Fire. A Project Manager (PM) developing a new missile seeks assurance that the missile will be sufficiently lethal against a given target class. The need includes sufficient overkill so that future enemy countermeasures will not easily obviate weapon effectiveness. The details about the target damage or target function are probably not of great concern. By contrast, a PM developing a blue platform is likely to desire very specific information on both the damage (Level 2] information) as well as performance changes (Level 3] information) in order to

<sup>†</sup> For example, the V/L Taxonomy illustrated in Fig. 1 can be thought of as more formal representation of the following vulnerability reduction saying, well-known for at least two decades throughout the DoD vulnerability community: "Don't be detected, but if detected, don't be hit. If hit, don't be perforated. If perforated, don't be damaged. If damaged, don't be killed."



**Fig. 3. Levels of Relevance to Lethality and Vulnerability.** Lethality and Vulnerability are often used to pursue different agendas. Typically, Lethality is analyzed beginning with the weapons launch at Level 0]. Thus, warhead hit dispersion at the target is factored in. To estimate complete weapons Effectiveness, weapon target detection and identification must be included as well. By contrast, Vulnerability normally starts with an assumed hit at Level 1]. Susceptibility covers all of the prior factors leading up to a hit. Survivability provides the overall accounting.

assess crew casualties as well as platform effectiveness and the possibility of eliminating/mitigating damage through potential design variants.

## PAST WARGAME EFFECTIVENESS PRACTICE

In what follows, we criticize past and existing practice concerning the representation of attrition in force-level combat models, simulations, and wargames. Fairness requires us to acknowledge, however, that much of what we find objectionable in current methods of attrition modeling was in the first instance promoted by mistakes and unclarity within the technical V/L community. In prior decades, the comparatively limited capabilities of computing hardware/software contributed to pressures to keep methods simple. We have written concerning these problems elsewhere; the point here is to present a top-level view of the difficulties so that the relationship with the consequent problems with force-level attrition can be clearly seen.

As suggested previously in the INTRODUCTION, one of the early problems concerned lack of clarity in distinguishing probability of kill from the military utility of a system with other than full capability. We have criticized the identification of PK and utility in detail elsewhere for the cases of tank vulnerability,<sup>10</sup> personnel vulnerability,<sup>11</sup> and V/L issues for other classes of targets.<sup>12</sup> Without repeating those arguments here, suffice it to say that questions and methods for dealing with our probability of winning the lottery are quite different from those appropriate to evaluating the utility of holding a winning ticket.

We assert that our predecessors viewed the problem in the following way. If vulnerability metrics were characterized as probabilities — even if mistakenly — significant advantages accrued. An aura of mathematical respectability was cast over what was an intrinsically flawed intellectual process. The probability calculus was made available as an instrument for numerical manipulation. In particular, one could multiply average hit probabilities by the average probability of kill given a hit values to obtain average single-shot kill probabilities (SSPKs). We can have both appropriate utility and mathematical consistency as well. There is a tortured history concerning the use of SSPKs that directly bears on the usual methods for transferring V/L information from technical data providers to force-level users. Before turning to that part of the story, however, let us dwell a bit longer on the internal intellectual problems with the technical V/L community.

One of these problems is early averaging. Even if we put to one side the illegitimate running together of probabilities and utilities that the SSPK example illustrated, early averaging remains a problem. Some of the problems with use of averages as V/L metrics are just mistakes; in other cases, the fault is needless loss of valuable information. One mistake is to endeavor to compare the outcome of a test or simulation event with an average probability.<sup>§</sup> Pollard *et al.*<sup>13</sup> made this mistake concerning LFT prediction and were criticized by Starks.<sup>14</sup> Another mistake is to average PK or SSPK over scenarios and other variables and then use that PK in a single one of those scenarios; this is simply an inconsistency, and one that in many cases infects the traditional V/L to force-level handoff.

The problem of needlessly lost information through early averaging can be particularly frustrating for analysts who encounter it. This is so because, as the discussion of the Taxonomy showed, the information lost was necessarily at hand during an intermediate point in the computation. Suppose we are conducting a study of armored vehicles where it is important to know the status of each sight. In Level 2] we clearly have a damage vector that reflects whether a given sight is functioning or not. If we drop this information after we have used it to calculate an average mobility or firepower utility, then it is obviously not available to answer specific questions about sights. It may have

10. Michael W. Starks, *New Foundations for Tank Vulnerability Analysis (with 1991 Appendix)*, The Proceedings of the Tenth Annual Symposium on Survivability and Vulnerability of the American Defense Preparedness Association, Naval Ocean Systems Center, San Diego, CA, 10-12 May 1988; also US Army Ballistic Research Laboratory Memorandum Report BRL-MR-3915, May 1991.

11. Michael W. Starks, *Improved Metrics for Personnel Vulnerability Analysis*, US Army Ballistic Research Laboratory Memorandum Report BRL-MR-3908, May 1991.

12. Paul H. Deitz, Michael W. Starks, Jill H. Smith, and Aivars Ozolins, *Current Simulation Methods in Military Systems Vulnerability Assessment*, Proceedings of the XXIX Annual Meeting of the Army Operations Research Symposium, 10-11 October 1990, Fort Lee, VA; also US Army Ballistic Research Laboratory Memorandum Report BRL-MR-3880, November 1990.

§ Presumably no one in Green Bay, WI, has characterized the outcome of the 1997 Superbowl in terms of a Packer Probability of Win!

13. Ray G. Pollard, Gary L. Holloway, Dennis C. Bely, F. Tyler Brown, and J. C. Kisko, *An Examination of Vulnerability Predictions in Light of Live Fire Testing of Light Combat Vehicles*, The 17th TWG/AOR Quadrapartite Working Group, for AOR, held in Sidney, Australia, December 1987.

14. Michael W. Starks, *Assessing the Accuracy of Vulnerability of Models By Comparison with Vulnerability Experiments*, US Army Ballistic Research Laboratory Technical Report BRL-TR-3018, July 1989.

been reasonable to drop such information in an era when large numbers of computer cycles and storage were less available than they are today; it is not reasonable or efficient to do so now.

### **FORCE-LEVEL ISSUES**

As indicated previously, Level 4] is concerned with military utility. A little reflection quickly shows that it is comparisons of systems with respect to military utility that allow top-level procurement decisions to be made and justified. Comparisons of lists of components (Level 2]) or of relative capabilities (Level 3]) do not allow or support this type of decision making. We do not try to rigidly define "military utility" here. Clearly, however, it has to do with prosecuting and winning engagements, battles, and wars. If the issue is readiness or tactical training, system procurement decision making, or examination of operational alternatives for achieving a strategic goal, then military utility, rather than a more narrowly drawn technical characteristic, is the proper metric for facilitating decisions.

We believe that military utility must be observed, measured, counted, or calculated in the context of actual or simulated force-level engagements, battles, and wars. This seemingly innocuous belief is in fact inconsistent with much of the past practice in the technical V/L arena. Recall that Level 4] metrics such as SSPK were taken as reflecting military utility and that they were calculated as a function of values for technical parameters. In some cases, these calculations involved weighting functions over tactical variables such as degree of target exposure. However, a laboratory scientist's choices concerning the variables to be considered or the weighting functions to be used, even if made with the advice and assistance of experienced soldiers, are unlikely to reflect the nuances, interconnections, and generalized fog of actual or adequately simulated combat.

In fairness to our predecessors in the technical V/L world, some of the factors that caused them to pursue these unsatisfactory practices should be mentioned. First, for perfectly good and understandable reasons, Army decision-makers craved analyses that illuminated military utility rather than narrower technical factors. Extant force-level models were not capable of using V/L metrics which were more complex. The generation of SSPKs was an attempt by the technical V/L community to respond to that demand, even if the attempt was intellectually misguided. Second, intellectually adequate combat simulations were simply not available until recently. (Some would argue that this overstates even our present capability.) Certainly through the 1970s, shortfalls in computer hardware capability and structured programming techniques were impediments to achieving adequate simulation capability. This situation provided further motivation for the technical V/L community to exceed its expertise and claim questions of military utility as within its domain.

The partly overlapping domains of the technical vulnerability experts and force-level modelers have caused further undesirable consequences with respect to the quality of our force-level efforts. One problem mentioned earlier is double counting. If a tactical variable such as target exposure is included by the vulnerability community in a utility measure such as SSPK, and then that SSPK is provided as input to a force-level model in which exposure is explicitly modeled, then there is evident double counting. Similar arguments can be made whenever scenario-type factors are built into the SSPK.

A second problem exacerbated by the overlapping domains is the loss-of-V/L-information problem due to excessive reliance on early averages. Typical SSPK values are highly averaged and are of relatively small value for illumination of specific cases. This is particularly troubling, as noted earlier, when the information needed to illuminate a special case was in fact available as an intermediate result.

A third problem with historical methods of attrition modeling in force-level contexts is the following. Use of a single quantity, be it an SSPK or something else, does not permit an accurate account of the remaining capability of the impacted target for many, perhaps for most, cases. The typical simulation draws a pseudo-random number and compares it to the input SSPK; the target either vanishes or remains fully capable depending on the results of the draw. Combat is actually much more complex, and we see in succeeding text that we can do much better.

### **EXAMPLE: PROPER V/L FORCE-LEVEL LINKAGE**

We wish finally to give a clear illustration of the way in which V/L metrics (from Level 2] and Level 3]) can be used to link properly to a notional wargame. Our problem is to examine the vulnerability and mission effectiveness of a particular platform. As a specific example, we use an armored fighting vehicle such as a tank. This choice leads to a particular set of mission-critical components, mission-critical capabilities, and finally minimal mission requirements. However, this process can be applied to any military platform by appropriately tailoring the components, performance metrics, and mission requirements.

Before any damage occurs, we can represent the (null) damage vector at Level 2] as:

$$v_2 = (\square, \square, \square, \dots) \quad (2)$$

The open squares ( $\square$ ) represent the various undamaged components on the platform including crew, ammo, mission critical, and other. In today's high-resolution V/L simulations<sup>15,16</sup> a ground vehicle analysis utilizes on the order of  $10^3$  such components.

We can group the components by category to give the Level 2] vector  $v_2$  the form:

$$v_2 = (\underbrace{\square, \square, \dots}_{\text{Crew}}, \underbrace{\square, \square, \dots}_{\text{Ammo}}, \underbrace{\square, \square, \dots}_{\text{Fuel}}, \underbrace{\square, \square, \dots}_{\text{Miss Crit}}, \underbrace{\square, \square, \dots}_{\text{Other}}) \quad (3)$$

We now invoke the sequence of operators portrayed in Fig. 1. We assume a shot is initiated at Level 0]; the resulting munition hit point is computed and passed to Level 1]. Next the  $O_{1,2}$  operator is used to compute a damage vector,  $v_2$ . The effect of this action might be to transform the vector shown in Eq. (3) to the notional form:

$$v_2 = (\underbrace{\square, \blacksquare, \dots}_{\text{Crew}}, \underbrace{\blacksquare, \blacksquare, \dots}_{\text{Ammo}}, \underbrace{\square, \square, \dots}_{\text{Fuel}}, \underbrace{\square, \blacksquare, \dots}_{\text{Miss Crit}}, \underbrace{\square, \square, \dots}_{\text{Other}}) \quad (4)$$

where, as before, the symbol  $\blacksquare$  represents a killed component. The status of platform survivability now can be assessed. The number of killed crew members is known, the loss of ammo is known (along with an estimate of catastrophic loss of the platform), and the loss of fuel is known (along with an estimate of catastrophic loss of the platform). The status of Mission Critical components is known as well.

Next the damage vector shown at Eq. (4) is passed to the  $O_{2,3}$  mapper, where a Level 3] capability vector of the following form is computed:

$$v_3 = (\text{Mobility}, \text{Firepower}, \text{Commo}) \quad (5)$$

For example, if one of the components killed is the box providing IFF<sup>†</sup> support, then the corresponding capability at Level 3] is lost as well.

This vector can be expanded into a more detailed expression of the form:

$$v_3 = (\{M_{TS}, M_{MR}, M_{RT}\}, \{F_{ROF}, F_{TTA}, F_{HD}\}, \{C_{INT}, C_{EXT}\}) \quad (6)$$

where  $M_{TS}$  is the vehicle Top Speed,  $M_{MR}$  is the Maximum Range,  $M_{RT}$  is the Rough Terrain capability,  $F_{ROF}$  is the main-gun Rate-of-Fire,  $F_{TTA}$  is the Time-to-Acquire (a target),  $F_{HD}$  is the Hit Dispersion,  $C_{INT}$  is the Internal Commo Capability, and  $C_{EXT}$  is the External Commo Capability. For descriptive ease, we can choose to represent these capability metrics as a fraction of the nominal (*i.e.*, undamaged) platform metrics. For the case of the tank being described, the capability vector of Eq. (6) can be illustrated in Fig. 4 in which Mobility, Firepower, and Communication functions are displayed.

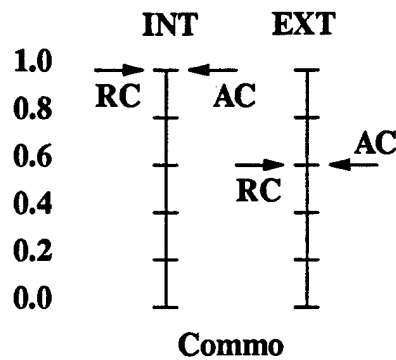
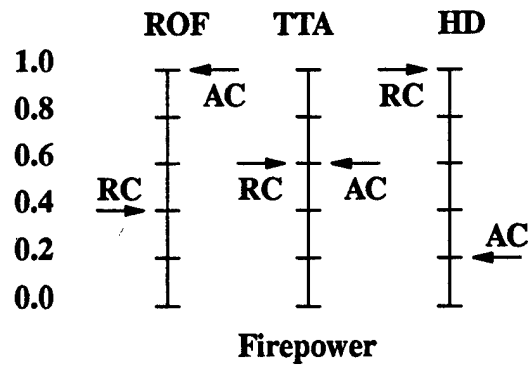
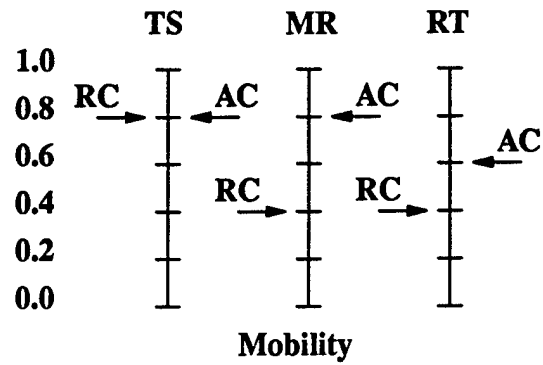
In Fig. 4 (top), the three metrics of Top Speed (TS), Maximum Range (MR), and Rough Terrain (RT) capability are plotted on normalized scales. Full-scale value implies design or undamaged capability. The pointers to each metric labeled AC indicate the post-damage platform Actual Capabilities, respectively. Top Speed is at 80%, Maximum Range is at 80%, and Rough Terrain is at 60% of undamaged capability.

Figure 4 (middle) illustrates three Firepower metrics, Rate-of-Fire (ROF), Time-to-Acquire (TTA), and Hit Dispersion (HD). In this example the Actual Capability (AC) Rate-of-Fire is at 100% of the undamaged valued, the Time-to-Acquire is at 60%, and the Actual Hit Dispersion is at 20% of nominal value. This last metric corresponds to an *increase* in munition hit dispersion.

15. Paul H. Deitz and Richard Saucier, *Modeling Ballistic Live-Fire Events, Proceedings of the 7th Annual TARDEC Symposium, 26-28 March 1996, Monterey, CA*; also appears in *Modeling Ballistic Live-Fire Events Trilogy, US Army Research Laboratory Technical Report ARL-TR-1274, December 1996*.

16. Paul H. Deitz, Richard Saucier, and William E. Baker, *Developments in Modeling Ballistic Live-Fire Events, Proceedings of the 16th International Ballistics Symposium and Exhibition, 23-27 September 1996, San Francisco, CA*; also appears in *Modeling Ballistic Live-Fire Events Trilogy, US Army Research Laboratory Technical Report ARL-TR-1274, December 1996*.

† IFF stands for Identification Friend or Foe.



**Fig. 4. Illustrative Examples of Actual versus (Mission) Required Platform Measures-of-Capability.** Mobility graphs (top) illustrate three metrics, Top Speed (TS), Maximum Range (MR), and Rough Terrain (RT) capability plotted on normalized scales. The platform after-damage Actual Capability for each metric is indicated by AC. Firepower graphs (middle) illustrate Rate-of-Fire (ROF), Time-to-Acquire (TTA), and Hit Dispersion (HD). Communication graphs (bottom) illustrate Internal Communications (INT) and External Communications (EXT) capability. For a specific mission, each metric is rated in terms of a (minimum) Required Capability (RC). In order for the damaged platform to prosecute successfully the given mission, each Required Capability must be equaled or exceeded by the corresponding Actual Capability.

Finally Fig. 4 (bottom) illustrates the platform Communication capability. In this case the Internal Communications (INT) Actual Capability is at full (100%) capability while the External Communications (EXT) is at 60% of undamaged capability.

**Utility Mapping: Approach One**

Note that the degraded performance capability described by Eq. (6) and illustrated in Fig. 4 arises as a direct consequence of the  $O_{2,3}$  operator operating on the non-null damage vector,  $v_2$ , of Eq. (4).<sup>□</sup> As additional damage occurs to the platform, the damage vector of Eq. (4) is further populated, and the platform capabilities represented by Eq. (6) continue to diminish. On the other hand, if battle damage repair is initiated, then at least some of the component entries of Eq. (4) move from dysfunctional to functional, and the related platform capabilities of Eq. (6) increase. In other words, battle damage, whether initial or additional, populates the damage vector,  $v_2$ , while battle damage repair acts to depopulate it.

The Mission Mapping Operator,  $O_{3,4}$ , has to do with military utility, as was suggested previously, and is in the province of the force-level analyst rather than the technical V/L analyst. From a strategic point of view, there are two different lines of attack that historically have been followed to gain the objective of a credible  $O_{3,4}$  mapping.

One approach involves utilizing a group of experienced soldiers to consider a specified set of (presumably frequent or important) missions ( $\approx 10$ ).<sup>‡</sup> For each specific mission, the experts decide the *minimum* capability for each metric required for a successful completion of the mission. The notional outcome of this process is illustrated in Fig. 4. The various RC pointers show the *minimum* platform Required Capabilities needed to complete successfully a *particular* mission.

Figure 4 thus illustrates that for the military platform to be successful for the specific notional mission, the following Required Capability (RC) metrics must be equaled or exceeded: Top Speed of 80%, Maximum Range of 40%, Rough Terrain capability of 40%, Rate-of-Fire of 40%, Time-to-Acquire of 60%, Hit Dispersion of 100%, Internal Commo of 100%, and External Commo of 60%.

The interpretation of the effect of platform damage on the ability to perform the mission is now clear. In this notional example, insofar as Mobility is supported, Top Speed is just adequate, the Maximum Range capability exceeds the minimum requirement, and so does the Rough Terrain capability. In terms of Firepower, the Rate-of-Fire minimum capability is greatly exceeded, the Time-to-Acquire requirement is just met, but the Hit Dispersion requirement is not nearly adequate (100% Required Capability needed *versus* 20% Actual Capability). Finally, both Communication Actual Capabilities are equal to the (Mission) Required Capabilities. In this example, the platform is not adequate to prosecute the mission because of the increased hit dispersion of the tank main armament. Such a situation might actually occur when a tank is engaged against a distant target; a greatly enlarged hit dispersion would substantially lessen the probability of hit.

Two final observations for this section. First, in addition to the comparison of the (Mission) Required/Actual Capabilities just discussed, the platform also must have had to pass the tests described below Eq. (4). That is to assure that no crew, ammunition, or fuel events resulted in catastrophic outcomes and, likewise, that no mission critical components were lost. Second, the general logic structure described in this report has already been implemented in the context of a personnel vulnerability evaluation tool. Called ORCA,<sup>17,18</sup> this computing environment plays multiple threats, as required, against a soldier to compute [a] damage, [b] the effect of damage on various capabilities (e.g., muscle strength/coordination, thinking, senses), and then [c] the capabilities compared against various mission requirements as called for in some 20 MOS's\* comprising thousands of specific tasks.

□ Following Eq. (1), this relationship can be written:

$$v_3 = O_{2,3} \{ v_2 \}$$

‡ What we now describe is somewhat reminiscent of the old Standard Damage Assessment List (SDAL) process but is constructed so as to avoid the broad averaging over many missions and the use of fractional capabilities as probabilities of mission success. For more detail on the SDAL construct, see Refs. 10 and 11.

17. Kellye C. Frew and Ellen M. Killion, *User's Manual for Operational Requirements-based Casualty Assessments (ORCA) Software System — Alpha+ Version*, Applied Research Associates, Inc., Report, Albuquerque, NM, July 1996.

18. J. Terrence Klopcic, David N. Neades, and Richard Tauson, *Operational Requirements-Based Casualty Assessment (ORCA) Methodology Documentation*, US Army Research Laboratory Technical Report, In Preparation.

\* MOS stands for Military Occupational Specialty. Each specialty is used to define a set of supporting tasks which are used to set the minimum human capabilities needed for their successful prosecution.

### *Utility Mapping: Approach Two*

The second line of attack is to use a combination of **Level 2]** and **Level 3]** vectors as input to a force-level model. The outcome metrics of the simulated combat are, in turn, regarded as reflecting the military utility force employed and key platforms in that force. By this process, the force-on-force model determines the success of a damaged military platform in a particular engagement. Given adequate (statistical) exercise of such a model, the minimum Requirement Capability (RC) levels for various platform capabilities can be backed out of the analysis. Experiments have been undertaken to develop this type of  $O_{3,4}$  map. The best documented of these force-level experiments are those of Comstock.<sup>19</sup> We invite the reader to study Comstock's results in detail; a brief overview is given here. This study involved configuring a small-unit force-level simulation to accept as V/L input either a traditional SSPK type of input or a distribution of more rigorously defined **Level 3]** capability metrics consistent with the V/L taxonomy. This strategy permitted a comparison of exchange ratios and other metrics as a function of the V/L input. Unsurprisingly, Comstock concluded that the more rigorous metrics provided ". . . a fuller and more detailed picture of combat . . ." Also, Baker<sup>20</sup> showed that the procedures lead to results that are statistically dissimilar.

### *Utility Mapping: Conclusions*

All three of the problems mentioned previously in connection with force-level modeling are solved or at least mitigated in the Comstock experiment. All traces of "utility" are purged from the **Level 3]** metrics (and not, of course, from the SSPKs). Much more of the information is retained in the Degraded States metrics than in the even more highly averaged SSPKs. Finally, the more rigorous methodology permits proper simulation of cases in which systems remain on the battlefield with some but not all of their original capability. This also provides support for wargame decisions based on reassignment of platform mission roles based on best match of roles, given new (reduced) capabilities.

Similar arguments could be made about a second experiment pursued by the Army Research Laboratory and the Training and Doctrine Command-White Sands Missile Range (TRAC-WSMR) over the past few years.<sup>21</sup> Although the results from that larger-scale force-level simulation have not yet been published, there appear no insuperable obstacles to pursuing implementation. With the promise shown in force-level modeling experiments since at least 1990, one might desire more rapid progress. No initiative is cost-free, and even low-cost initiatives are difficult to prosecute in a Defense downsizing environment. However, the delta cost on an ongoing business basis to work the force-level problem properly is moderate while the potential gain in information content high. We believe that there are no compelling reasons for not moving forward.

## CONCLUSIONS

To summarize what we have argued with respect to the prosecution of V/L metrics as well as their use in a wide variety of applications:

- **Use of the V/L Taxonomy:** The V/L Taxonomy facilitates clear distinctions among the metrics of damage, capability, and utility that have often been confused. Specific outcome vectors at a given level are different from probability distributions formed from the corresponding family of outcomes. The probability of a given outcome is not equivalent to the utility of that outcome. These insights, as well as other derivatives of this framework,<sup>□</sup> are important in [a] the linkage of technology characterizations (e.g., warhead/armor performance) V/L models, [b]

---

19. Gary R. Comstock, *The Degraded States Weapons Research Simulation (DSWARS): An Investigation of the Degraded States Vulnerability Methodology in a Combat Simulation*, US Army Materiel Systems Analysis Activity Technical Report AMSAA-TR-495, February 1991.

20. William W. Baker, *An Analysis of the Effect of the Degraded States Methodology for Vulnerability Assessment*, US Army Research Laboratory Memorandum Report ARL-MR-7, November 1992.

21. Beth S. Ward, Mark D. Burdeshaw, Joe L. Aguilar, and David R. Durda, *CASTFOREM Combat Simulation Utilizing Degraded States Vulnerability Methodology*, In Preparation.

□ For further discussion of the Taxonomy with respect to issues relevant both to generation of V/L metrics as well as configuration issues in force-on-force simulations, the reader is directed to Ref. 4.

the internal consistency of V/L models including validation efforts in support of Live-Fire simulations,<sup>22,23</sup> and [c] the proper design and implementation of force-on-force models in which they play a critical role.

- **Minimization of Averaging:** Early averaging leads to significant loss of V/L information. The elements of damage and capability should be combined as late as practical in the overall computation process. Advances in computational equipment have not been fully exploited to avoid unnecessary early averaging.
- **Redundant Accounting:** Double counting is a problem that has historically affected the handoff from the technical V/L analyst to the force-level modeler. Level 4] technical V/L metrics have in the past been calculated as a function of tactics, doctrine, and scenario. Thus, a utility metric supplied by a V/L analyst is (re)introduced by a force-on-force modeler into a simulation which has as its primary purpose the estimation of utility. In particular, when a platform suffers equipment damage, and the value of that equipment varies significantly from mission to mission, the (expected) estimate of utility is likely to be in significant error.†
- **Proper Aggregation of Battle Damage:** Current wargame practice accounts for multiple threats (whether ballistic or not) against a platform as though each threat encounters an undamaged platform. Except for the first impinging round, the initial conditions (Level 1] metrics) for the remaining damage mapping operations ( $O_{1,2}$ ) are incorrect. An aggregate utility is estimated through the use of the Survivor Rule on all of the individual (incorrectly) calculated utilities rather than simply aggregating damage as damage (at Level 2]), and then performing a single mapping to utility as needed.
- **Assignment of Battlefield Utility:** The job of estimating battlefield utility,  $O_{3,4}$ , is for the wargamer, not the technical V/L analyst. Level 2] and Level 3] metrics should be used by force-level simulations in such a way that the military utility is estimated for a specific combat context. Both early averaging and double counting must be avoided.
- **Characterization of RAM and BDR:** The study of Reliability, Availability, and Maintainability (RAM) involves the same mapping procedure as damage calculation ( $O_{2,3}$ ). Battle Damage Repair (BDR) involves reducing the number of entries of the (Level 2]) damage vector. There would seem to be an opportunity to work both of these analyses with the aid of the vulnerability analyst using a shared set of naming conventions, data, and methods.
- **Opportunity for Wider Tool Sharing:** Proponents of Weapons Lethality and Platform Vulnerability often share tool sets and analysis approaches with effectiveness evaluators and with force-level analysts. However, their agendas are often diverse, leading to a wide range of required measures of utility and levels of detail. More interaction across the communities would probably reveal attainable improvements and greater efficiencies for all.

---

22. Gary S. Moss, Karen Ross Murray, and Richard Saucier, *Description of MUVES-SQUASH Methodology for Support of Live-Fire Test and Evaluation*, Proceedings of the XXXVI Annual Meeting of the Army Operations Research Symposium, 13-14 November, 1997, Fort Lee, VA; also US Army Research Laboratory Technical Report, In Press.

23. William E. Baker, Richard Saucier, Theodore M. Muehl, and Ricky L. Grote, *A Vulnerability Model Comparison to Live-Fire Test Results*, Proceedings of the XXXVI Annual Meeting of the Army Operations Research Symposium, 13-14 November, 1997, Fort Lee, VA; also US Army Research Laboratory Technical Report, In Press.

† Such an example might be a night-vision device for a tank. Presumably its utility at night (e.g., Mobility Loss-of-Function) would be one, since the platform could not be fought without it. However in the day, it would be unneeded. Given equal weighting of both scenarios, the expected utility would be 0.5, greatly in error for either of the scenarios.

No of Copies	Organization
2	DEFENSE TECHNICAL INFORMATION CENTER DTIC DDA 8725 JOHN J KINGMAN RD STE 0944 FT BELVOIR VA 22060-6218
1	HQDA DAMO FDT DENNIS SCHMIDT 400 ARMY PENTAGON WASHINGTON DC 20310-0460
1	DPTY ASSIST SCY FOR R&T SARD TT F MILTON RM 3EA79 THE PENTAGON WASHINGTON DC 20310-0103
1	OSD OUSD(A&T)/ODDDR&E(R) J LUPO THE PENTAGON WASHINGTON DC 20301-7100
1	CECOM SP & TRRSTRL COMMCTN DIV AMSEL RD ST MC M H SOICHER FT MONMOUTH NJ 07703-5203
1	PRIN DPTY FOR TCHNLGY HQ US ARMY MATCOM AMCDCG T M FISSETTE 5001 EISENHOWER AVE ALEXANDRIA VA 22333-0001
1	PRIN DPTY FOR ACQUSTN HQ US ARMY MATCOM AMCDCG A D ADAMS 5001 EISENHOWER AVE ALEXANDRIA VA 22333-0001
1	DPTY CG FOR RDE HQS US ARMY MATCOM AMCRD BG BEAUCHAMP 5001 EISENHOWER AVE ALEXANDRIA VA 22333-0001
1	INST FOR ADVNCD TCHNLGY THE UNIV OF TEXAS AT AUSTIN PO BOX 202797 AUSTIN TX 78720-2797

No of Copies	Organization
1	USAASA MOAS AI W PARRON 9325 GUNSTON RD STE N319 FT BELVOIR VA 22060-5582
1	CECOM PM GPS COL S YOUNG FT MONMOUTH NJ 07703
1	GPS JOINT PROG OFC DIR COL J CLAY 2435 VELA WAY STE 1613 LOS ANGELES AFB CA 90245-5500
1	ELECTRONIC SYS DIV DIR CECOM RDEC J NIEMELA FT MONMOUTH NJ 07703
3	DARPA L STOTTS J PENNELLA B KASPAR 3701 N FAIRFAX DR ARLINGTON VA 22203-1714
1	USAF SMC/CED DMA/JPO M ISON 2435 VELA WAY STE 1613 LOS ANGELES AFB CA 90245-5500
1	US MILITARY ACADEMY MATH SCI CTR OF EXCELLENCE DEPT OF MATHEMATICAL SCI MDN A MAJ DON ENGEN THAYER HALL WEST POINT NY 10996-1786
1	DIRECTOR US ARMY RESEARCH LAB AMSRL CS AL TP 2800 POWDER MILL RD ADELPHI MD 20783-1145
1	US ARMY RESEARCH LAB AMSRL CS AL TA 2800 POWDER MILL RD ADELPHI MD 20783-1145
3	US ARMY RESEARCH LAB AMSRL CI LL 2800 POWDER MILL RD ADELPHI MD 20783-1145

No of  
Copies Organization

**ABERDEEN PROVING GROUND**

4 USARL  
AMSRL CI LP (305)

No of Copies	<u>Organization</u>
1	OUSD AT S&T AIR WARFARE DR RAINIS RM 3E139 3090 DEFENSE PENTAGON WASHINGTON DC 20310-3090
1	OUSD AT S&T LAND WARFARE MR VILU RM 3B1060 3090 DEFENSE PENTAGON WASHINGTON DC 20310-3090
1	OASD C31 DR SOOS RM 3E194 6000 DEFENSE PENTAGON WASHINGTON DC 20301-6000
1	UNDER SEC OF THE ARMY DUSA OR ROOM 2E660 102 ARMY PENTAGON WASHINGTON DC 20310-0102
1	ASST SECY ARMY RESEARCH DEVELOPMENT ACQUISITION SARD ZD ROOM 2E673 103 ARMY PENTAGON WASHINGTON DC 20310-0103
1	ASST SECY ARMY RESEARCH DEVELOPMENT ACQUISITION SARD TT ROOM 3E479 DR MILTON 103 ARMY PENTAGON WASHINGTON DC 20310-0103
1	ASST SECY ARMY RESEARCH DEVELOPMENT ACQUISITION SARD ZP ROOM 2E661 103 ARMY PENTAGON WASHINGTON DC 20310-0103
1	ASST SECY ARMY RESEARCH DEVELOPMENT ACQUISITION SARD ZS ROOM 3E448 103 ARMY PENTAGON WASHINGTON DC 20310-0103
1	OADCSOPS FORCE DEV DIR DAMO FDW RM 3C630 460 ARMY PENTAGON WASHINGTON DC 20310-0460

No of Copies	<u>Organization</u>
1	OADCSOPS FORCE DEV DIR DAMO FDT MR DENNIS SCHMIDT 460 ARMY PENTAGON WASHINGTON DC 20310-0460
1	HQ USAMC DEP CHF OF STAFF FOR RDA ATTN AMCRDA 5001 EISENHOWER AVE ALEXANDRIA VA 22333-0001
1	ARMY TRNG & DOCTRINE COM ATCD B FT MONROE VA 23561-5000
1	ARMY TRADOC ANL CTR ATRC W MR KEINTZ WSMR NM 88002-5502
1	ARMY RESEARCH LABORATORY AMSRL ST DR ROCCHIO 2800 POWDER MILL RD ADELPHI MD 20783-1197
1	ARMY RESEARCH LABORATORY AMSRL SL PLANS AND PGMS MGR WSMR NM 88002-5513
1	ARMY RESEARCH LABORATORY AMSRL SL E MR SHELBURNE WSMR NM 88002-5513
	<b><u>ABERDEEN PROVING GROUND</u></b>
1	ARMY TEST EVAL COM AMSTE TM S
1	US ARMY EVAL ANALYSIS CTR CSTE EAC MR HUGHES
1	US ARMY EVAL ANALYSIS CTR CSTE EAC SV DR HASKELL
1	ARMY RESEARCH LABORATORY AMSRL SL DR WADE
1	ARMY RESEARCH LABORATORY AMSRL SL MR BEILFUSS
1	ARMY RESEARCH LABORATORY AMSRL SL E DR STARKS

No of  
Copies Organization

**ABERDEEN PROVING GROUND**

- 1 ARMY RESEARCH LABORATORY  
AMSRL SL B LTC GILMAN
- 1 ARMY RESEARCH LABORATORY  
AMSRL SL B W WINNER

<u>No of</u>	<u>Organization</u>
1	DEP ASST SEC DEF CHEM BIO MATTERS ATTN DR PROCIV 2451 CRYSTAL PARK DR ALEXANDRIA VA 22245
1	DEFENSE MAPPING AGENCY HQ TECH AND INFO DIRECTORATE 8613 LEE HIGHWAY ATTN THOMAS HENNING FAIRFAX VA 22031-2137
1	BALLISTIC MISSILE DEFENSE ORGANIZATION ATTN DEPUTY TECHNOLOGY RM 1E148 COL GARY PAYTON THE PENTAGON WASHINGTON DC 20310-7100
1	BALLISTIC MISSILE DEFENSE ORGANIZATION ATTN DTC RM 1E168 DR WALTER DYER THE PENTAGON WASHINGTON DC 20310-7100
1	BALLISTIC MISSILE DEFENSE ORGANIZATION ATTN DTE LTC DALE TIETZ THE PENTAGON WASHINGTON DC 20310-7100
1	DEFENSE NUCLEAR AGENCY ATTN DEPUTY DIRECTOR DR GEORGE ULLRICH 6801 TELEGRAPH RD ALEXANDRIA VA 22310-3398
1	DEFENSE NUCLEAR AGENCY ATTN OFTA DR MICHAEL SHORE 6801 TELEGRAPH RD ALEXANDRIA VA 22310-3398
1	DEPUTY CHIEF OF STAFF INTELLIGENCE ATTN DAMI ST DR BERT SMITH 1001 ARMY PENTAGON WASHINGTON DC 20310-1001
1	DIR OPERATIONAL TEST & EVAL 1700 DEFENSE PENTAGON RM 3E318 ATTN PHILIP E COYLE WASHINGTON DC 20301-1700

<u>No of</u>	<u>Organization</u>
1	DIR OPERATIONAL TEST & EVAL 1700 DEFENSE PENTAGON RM 3E318 ATTN ERNEST SEGLIE WASHINGTON DC 20301-1700
1	DIR OPERATIONAL TEST & EVAL 1700 DEFENSE PENTAGON RM 1C730A ATTN JAMES F O'BRYON WASHINGTON DC 20301-1700
1	DIR OPERATIONAL TEST & EVAL 1700 DEFENSE PENTAGON ATTN HANS MAIR WASHINGTON DC 20301-1700
1	DIR OPERATIONAL TEST & EVAL 1700 DEFENSE PENTAGON RM 1C730A ATTN THOMAS R JULIAN WASHINGTON DC 20301-1700
1	DIR OPERATIONAL TEST & EVAL 1700 DEFENSE PENTAGON RM 1C730A ATTN COL STEPHEN C DALY WASHINGTON DC 20301-1700
1	ODDRNE AT DIR WEAPONS TECH ATTN WES KITCHENS 3080 DEFENSE PENTAGON WASHINGTON DC 20301-3080
1	UNDER SECY OF THE ARMY ATTN SAUS OR DANIEL WILLARD 102 ARMY PENTAGON WASHINGTON DC 20310-0102
1	ASST SECY ARMY RESEARCH DEVELOPMENT ACQUISITION ATTN SARD ZD RM 2E673 DR HERBERT FALLIN 103 ARMY PENTAGON WASHINGTON DC 20310-0103
1	ASST SECY ARMY RESEARCH DEVELOPMENT ACQUISITION ATTN SARD TR RM 3E480 TOM KILLION 103 ARMY PENTAGON WASHINGTON DC 20310-0103

No of Copies	<u>Organization</u>
1	ASST SECY ARMY RESEARCH DEVELOPMENT ACQUISITION ATTN SARD DOV RM 2E673 COL CORLISS S BERRY III 103 ARMY PENTAGON WASHINGTON DC 20310-0103
1	PROGRAM EXECUTIVE OFFICER ARMORED SYS MODERNIZATION ATTN SFAE ASM WARREN MI 48397-5000
1	PROGRAM EXECUTIVE OFFICER TACTICAL WHEELED VEHICLES ATTN SFAE TWV COL WILLIAM J STODDART WARREN MI 48397-5000
1	PROG EXECUTIVE OFCR AVIATION ATTN SFAE AV MG DEWITT T IRBY JR 4300 GOODFELLOW BLVD ST LOUIS MO 63120-1798
1	PROG EXECUTIVE OFCR MISSILE DEFENSE ATTN SFAE MD BG DANIEL L MONTGOMERY PO BOX 16686 ARLINGTON VA 22215-1686
1	PROG EXECUTIVE OFCR FIELD ARTILLERY SYS ATTN SFAE FAS BG JOHN F MICHITSCH PICATINNY ARSENAL NJ 07806-5000
1	PROG EXECUTIVE OFCR TACTICAL MISSILES ATTN SFAE MSL MR GEORGE G WILLIAMS REDSTONE ARSENAL AL 35898-8000
1	PROJECT MANAGER PEO MISSILE DEFENSE ATTN SFAE MD PA COL STEPHEN KUFFNER PO BOX 1500 HUNTSVILLE AL 35807-3801

No of Copies	<u>Organization</u>
1	PROJECT MANAGER PEO MISSILE DEFENSE ATTN SFAE MD THA COL WALTER F KILGORE PO BOX 1500 HUNTSVILLE AL 35807-3801
1	PRODUCT MANAGER PEO INTELL ELEC WARFARE ATTN SFAE IEW RD LTC JAMES WELLS REDSTONE ARSENAL AL 35898
1	PROJECT MANAGER PEO MISSILE DEFENSE ATTN SFAE MD SM COL THOMAS HALLER PO BOX 1500 HUNTSVILLE AL 35807-3801
1	PRODUCT MANAGER PEO TACTICAL MISSILES ATTN SFAE MSL FAD GTAM LTC JED A SHEEHAN REDSTONE ARSENAL AL 35898-5630
1	PROGRAM MANAGER ATTN SFAE AV RAH BLDG 105 4300 GOODFELLOW BLVD BG JAMES SNIDER ST LOUIS MO 63120-1798
1	PROJECT MANAGER ATTN SFAE AV AAH BLDG 105 4300 GOODFELLOW BLVD COL STEPHEN KEE ST LOUIS MO 63120-1798
1	PRODUCT MANAGER ATTN SFAE AV SOA LTC MICHAEL ROGERS BLDG 105F 4300 GOODFELLOW BLVD ST LOUIS MO 63120-1798
1	PROJECT MANAGER ATTN SFAE AV ASH COL EDWIN GOOSEN BLDG 102 4300 GOODFELLOW BLVD ST LOUIS MO 63120-1798

No of Copies	<u>Organization</u>
1	PRODUCT MANAGER ATTN AMCPM CH JAMES WINKELER 4300 GOODFELLOW BLVD ST LOUIS MO 63120-1798
1	CMDR US ARMY AVN TROOP CMND TECHNLGY APPLCTN PROG OFC ATTN AMSAT D TS LTC WAYNE KILLIAN 4300 GOODFELLOW BLVD ST LOUIS MO 63120-1798
1	PRODUCT MANAGER ATTN SFAE AV LB LTC HOWARD BRAMBLETT BLDG 105 4300 GOODFELLOW BLVD ST LOUIS MO 63120-1789
1	PRODUCT MANAGER ATTN SFAE LTC RICHARD RYLES BLDG 105 4300 GOODFELLOW BLVD ST LOUIS MO 63120-1798
1	PROJ MANAGER CRUSADER PEO FIELD ARTILLERY SYS ATTN SFAE FAS CR COL WILLIAM B SHEAVES III PICATINNY ARSENAL NJ 07806-5000
1	PROJ MANAGER HTV PEO TACTICAL WHEELED VEH ATTN SFAE TWV HTV COL JAMES WANK WARREN MI 48397-5000
1	PROJECT MANAGER BFVS PEO ASM ATTN SFAE ASM BV LTC TED JOHNSON WARREN MI 48397-5000
1	PROD MANAGER BFVS C2V PEO ASM ATTN SFAE ASM BV LTC PAUL WILSON WARREN MI 48397-5000
1	PROD MANAGER ABRAMS PEO ASM ATTN SFAE ASM AB LTC GEORGE PATTEN WARREN MI 48397-5000

No of Copies	<u>Organization</u>
1	PROD MANAGER HAB PEO ASM ATTN SFAE ASM CV LTC SAMUEL M CANNON WARREN MI 48397-5000
1	PROD MANAGER M1 BREACHER PEO ASM ATTN SFAE ASM CV LTC DONALD P KOTCHMAN WARREN MI 48397-5000
1	PROD MGR PALADIN FAASV PEO FIELD ARTILLERY SYS ATTN SFAE FAS PAL LTC CHARLES CARTWRIGHT PICATINNY ARSENAL NJ 07806-5000
1	PROJ MGR FMTV PEO TACTICAL WHEELED VEHICLES ATTN SFAE TWV FMTV COL MICHAEL W BOUDREAU WARREN MI 48397-5000
1	PROD MGR IRV PEO ASM ATTN SFAE ASM CV LTC ROBERT B LEES JR WARREN MI 48397-5000
1	PROJ MGR MLRS PEO TACTICAL MISSILES ATTN SFAE MSL ML COL STEVEN W FLOHR REDSTONE ARSENAL AL 35898-5700
1	PROJ MGR LTV PEO TACTICAL WHEELED VEH ATTN SFAE TWV LTV LTC BRAD R NAEGLE WARREN MI 48397-5000
1	PROJ MGR HDSB PEO TACTICAL WHEELED VEH ATTN SFAE TWV HTV COL JAMES A WANK WARREN MI 48397-5000
1	PROJ MGR HMMWV PEO TACTICAL WHEELED VEH ATTN SFAE TWV HTV JOHN D WEAVER WARREN MI 48397-5000

<u>No of</u> <u>Copies</u>	<u>Organization</u>
1	PROJECT MGR LW 155 PEO FIELD ARTILLERY SYS ATTN SFAE FAS J COL STEPHEN C WARD PICATINNY ARSENAL NJ 07806-5000
1	PROJ MGR MCD PEO ASM ATTN SFAE ASM MCD COL RICHARD D NIDEL PICATINNY ARSENAL NJ 07806-5000
1	PROJ MGR ARMY TACMS BA PEO TACTICAL MISSILES ATTN SFAE MSL AB LTC KEITH LENHARD REDSTONE ARSENAL AL 35898-5650
1	PROJ MGR ARMY TACMS BA PEO TACTICAL MISSILES ATTN SFAE MSL AB LTC BARRY WARD REDSTONE ARSENAL AL 35898-5650
1	PROJ MGR ARMY TACMS BA PEO TACTICAL MISSILES ATTN SFAE MSL AB LTC ROBERT ARNONE REDSTONE ARSENAL AL 35898-5650
1	PROJ MGR ARMY TACMS BA PEO TACTICAL MISSILES ATTN SFAE MSL AB FRANK WALLACE REDSTONE ARSENAL AL 35898-5650
1	PROD MGR LB HELLFIRE PEO TACTICAL MISSILE ATTN SFAE MSL HD LTC DONALD WILBOURN REDSTONE ARSENAL AL 35898-5610
1	PROJ MGR JAVELIN PEO TACTICAL MISSILES ATTN SFAE MSL AM COL MICHAEL RODDY III REDSTONE ARSENAL AL 35898-5720
1	PROJ MGR MLRS PEO TACTICAL MISSILES ATTN SFAE MSL ML COL STEVEN FLOHR REDSTONE ARSENAL AL 35898-5700

<u>No of</u> <u>Copies</u>	<u>Organization</u>
1	PROJ MGR SADARM PEO FIELD ARTILLERY SYS ATTN SFAE FAS SD COL JAMES E UNTERSEHER PICATINNY ARSENAL NJ 07806-5000
1	PROJ MGR TANK MAIN ARMAMENT SYSTEMS TMAS PEO ASM ATTN SFAE ASM TMA COL RICHARD BREGARD PICATINNY ARSENAL NJ 07806-5000
1	PROJ MGR CLOSE COMBAT ANTI ARMOR WEAPON SYSTEM PEO TACTICAL MISSILES ATTN SFAE MSL CC COL ROBERT ARMBRUSTER REDSTONE ARSENAL AL 35898-5710
1	PROJ MGR NON LINE OF SIGHT COMBINED ARMS NLOSCA PEO TACTICAL MISSILES ATTN SFAE MSL NL COL ROY MILLAR REDSTONE ARSENAL AL 35898-5793
1	PROD MGR USA ARDEC ATTN AMCPM SA LTC JAMES CAMBRON PICATINNY ARSENAL NJ 07806-5000
1	PROJECT MANAGER ARMORED SYS INTEGRATION PEO ASM ATTN SFAE ASM AS COL NEWLIN WARREN MI 48397-5000
1	COMMANDER US ARMY MATERIEL CMND DEP CHF OF STAFF FOR RDE ATTN AMCRD 5001 EISENHOWER AVE ALEXANDRIA VA 22333-0001
2	COMMANDER US ARMY MATERIEL CMND ATTN AMCRD IT DR PAUL EHLE MR MICHAEL DAILEY 5001 EISENHOWER AVE ALEXANDRIA VA 22333-0001

No of Copies	Organization
1	CMDR US ARMY MATERIEL CMND PRINCIPAL DEP FOR ACQSTN ATTN AMCDCG A MR DALE G ADAMS 5001 EISENHOWER AVE ALEXANDRIA VA 22333-0001
1	CMDR US ARMY MATERIEL CMND PRINCIPAL DEPUTY FOR TECH ATTN AMCDCG T MR MICHAEL FISETTE 5001 EISENHOWER AVE ALEXANDRIA VA 22333-0001
1	COMMANDER US ARMY ATCOM ATTN AMSAT G 4300 GOODFELLOW BLVD ST LOUIS MO 63120-1798
1	COMMANDER US ARMY AVN TROOP CMND AVIATION APPL TECH DIR ATTN AMSAT R TV FORT EUSTIS VA 23604-5577
1	COMMANDER USA SIM TRNG INSTRU CMND ATTN AMCP DIS COL JAMES ETCHECHURY 12350 RESEARCH PKWY ORLANDO FL 32826-3276
1	TECHNICAL DIRECTOR USA ARDEC ATTN SMCAR TD PICATINNY ARSENAL NJ 07806-5000
1	ARMY ARMAMENTS RDEC ATTN SMCAR ASM FRED SCHUHMANN PICATINNY ARSENAL NJ 07806-5000
1	TECHNICAL DIRECTOR USA AVN TROOP CMND ATTN AMSAT R ZT ROBERT KENNEDY 4300 GOODFELLOW BLVD ST LOUIS MO 63120-1798
1	TECHNICAL DIRECTOR USA MISSILE CMND RDE CTR ATTN AMSMI RD DR WILLIAM MCCORKLE REDSTONE ARSENAL AL 35898-5240

No of Copies	Organization
1	COMMANDER USA TANK AUTO CMND RDEC ATTN AMSTA TR WAYNE WHEELLOCK WARREN MI 48397-5000
1	COMMANDER USA TANK AUTO CMND RDEC ATTN AMSTA TR D COL SCHREPPLE WARREN MI 48397-5000
1	COMMANDER USA TANK AUTO CMND RDEC ATTN AMSTA TR R DR JACK PARKS WARREN MI 48397-5000
1	ARMY RESEARCH LABORATORY ATTN AMSRL D DR JOHN LYONS 2800 POWDER MILL RD ADELPHI MD 20783-1197
1	ARMY RESEARCH LABORATORY SURV LETH ANALYSIS DIR ATTN AMSRL SL LTC MALONEY WSMR NM 88002-5513
1	ARMY RESEARCH LABORATORY SURV LETH ANALYSIS DIR ATTN AMSRL SL CA DR ROBERT SUTHERLAND WSMR NM 88002-5513
5	ARMY RESEARCH LABORATORY SURV LETH ANALYSIS DIR ATTN AMSRL SL EA R FLORES T MCDONALD G GUZIE K NIX L ESCUDERO WSMR NM 88002-5513
4	ARMY RESEARCH LABORATORY SURV LETH ANALYSIS DIR ATTN AMSRL SL EV K MORRISON E ZARRET J CUELLAR O PAYAN WSMR NM 88002-5513
3	ARMY RESEARCH LABORATORY SURV LETH ANALYSIS DIR ATTN AMSRL SL EP J PALOMO D HUNT L ANDERSON WSMR NM 88002-5513

<u>No of</u>	<u>Organization</u>
2	ARMY RESEARCH LABORATORY SURV LETH ANALYSIS DIR ATTN AMSRL SL EG D HEMMINGWAY R PRICE WSMR NM 88002-5513
1	ARMY RESEARCH LABORATORY SURV LETH ANALYSIS DIR ATTN AMSRL SL EI J NOWAK FT MONMOUTH NJ 07703-5601
1	ARMY RESEARCH LABORATORY SURV LETH ANALYSIS DIR ATTN AMSRL SL EU A ESTORGA WSMR NM 88002-5513
1	ARMY RESEARCH LABORATORY ATTN AMSRL CB PI T WHITE 2800 POWDER MILL RD ADELPHI MD 20783-1197
1	ARMY RESEARCH LABORATORY ATTN AMSRL PBP J SCZEPANSKI 2800 POWDER MILL RD ADELPHI MD 20783-1197
1	COMMANDER USA TRNG DOCTRINE CMND ATTN ATCD M COL VOLZ FT MONROE VA 23651-5000
1	COMMANDER USA TRNG DOCTRINE CMND ATTN ATCD H COL HARTMAN FT MONROE VA 23651-5000
1	DIRECTOR ARMY FIELD ARTILLERY SCHOOL ATTN ATSF FSC 3A COL RICHARD SHERWOOD FT SILL OK 73503-5600
1	DIRECTOR ARMY FIELD ARTILLERY SCHOOL ATTN ATSF CN COL BRISTOL WILLIAMS FT SILL OK 73503-5600

<u>No of</u>	<u>Organization</u>
1	DIRECTOR ARMY FIELD ARTILLERY SCH ATTN ATSF RMS COL RICHARD VALLARIO FT SILL OK 73503-5600
1	DIRECTOR ARMY INFANTRY SCHOOL ATTN ATZB FS COL JAMES GRIBSCHAW FT BENNING GA 31905-5403
1	DIRECTOR ARMY INFANTRY SCHOOL ATTN ATZB BV COL THOMAS STRAUSS FT BENNING GA 31905-5400
1	DIRECTOR ARMY AIR DEFENSE ARTILLERY SCHOOL ATTN ATSA TSM TM COL WILLIAM T SMITH III FT BLISS TX 79916-0002
1	DIRECTOR ARMY ARMOR SCHOOL ATTN ATZK TS COL JOHN KALB FT KNOX KY 40121-5201
1	DIRECTOR ARMY ARMOR CENTER ATTN ATZK SM COL STEPHEN MAIN FT KNOX KY 40121-5000
1	DIRECTOR ARMY ARMOR CTR ATTN ATZK XX1 BLDG 1109 MAJ SHUFELT FT KNOX KY 40121-5201
1	DIRECTOR ARMY AVIATION CTR ATTN ATZQ TSM C COL CHARLES GANT JR FT RUCKER AL 36362-5010
1	DIRECTOR ARMY AVIATION CTR ATTN ATZQ TSM LB COL ROBERT MITCHELL FT RUCKER AL 36362-5012

<u>No of</u>	<u>Organization</u>
1	DIR ARMY ENGINEER CTR AND FT LEONARD WOOD ATTN ATSE TSM COL COMADORA FERGUSON FT LEONARD WOOD MO 65473-5000
1	DIRECTOR ARMY TRANSPORTATION SCH ATTN ATZF TW COL JAMES WEBSTER JR FT EUSTIS VA 23604-5457
1	COMMANDER ARMY TRADOC ATTN ATCD L LTC RONALD STEWART FT MONROE VA 23651-5000
1	COMMANDER US ARMY ARMOR CTR ATTN ATZK MW COL DAVID PORTER FT KNOX KY 40121-5000
1	DIRECTOR ARMY TRADOC ANALYSIS CTR ATTN ATRC WMB LUIS DOMINGUEZ WSMR NM 88002-5502
1	DIRECTOR ARMY TRADOC ANALYSIS CTR ATTN WS AL KIENTZ WSMR NM 88002-5502
1	COMMANDANT US ARMY INFANTRY SCH ATTN ATSH CD COL WILLIAM PATTERSON FT BENNING GA 31905-5403
1	COMMANDER USA FIELD ARTILLERY CTR ATTN ATSF CD COL TONEY STRICKLIN FT SILL OK 73503-5000
1	COMMANDANT USA ARMOR CTR ATTN ATSB CD COL EDWARD BRYLA FT KNOX KY 40121-5000

<u>No of</u>	<u>Organization</u>
1	COMMANDANT US ARMY AVIATION CTR ATTN ATZQ CD DAVE AHEARN FT RUCKER AL 36362-5000
1	COMMANDANT US ARMY AIR DEFENSE CTR ATTN ATSA CD COL MICHAEL A VANE FT BLISS TX 79916-0002
1	DEPT OF NAVY DEP DIR NAVY T&E TECH REQ ATTN LEWIS LUNBERG PENTAGON RM 5C686 WASHINGTON DC 20350
1	OFFICE OF NAVAL RESEARCH TECH AREA MGR SURF AERO WEAPONRY CODE 35 ATTN DAVID SIEGEL 800 N QUINCY ST ARLINGTON VA 22217-5660
1	NAVAL AIR SYSTEMS CMD HQ 1421 JEFFERSON DAVIS HIGHWAY ATTN DAVE BUTLER ARLINGTON VA 22243
1	NAVAL SURFACE WARFARE CTR CARDEROCK DIVISION ATTN FRED FISCH BETHESDA MD 20084-5000
1	NAVAL SURFACE WARFARE CTR DAHLGREN DIVISION ATTN G24 TOM WASMUND 17320 DAHLGREN RD DAHLGREN VA 22448-5100
1	NAVAL SAFETY CTR CODE 471 D C WEIGHTMAN NORFOLK VA 23501
1	NAVAL POSTGRADUATE SCHOOL CODE AA BP ATTN ROBERT E BALL MONTEREY CA 93943-5000

<u>No of</u> <u>Copies</u>	<u>Organization</u>
1	NAWC 526E00D 1 ADMINSTRATION CIRCLE ATTN DAVID SCHRINER CHINA LAKE CA 93555-6100
1	DEP DIR HQ US AIR FORCE T&E 1650 AIR FORCE PENTAGON ATTN JOHN MANCLARK WASHINGTON DC 20330-1650
1	DEP DIR HQ US AIR FORCE T&E 1650 AIR FORCE PENTAGON RM 4E995 LTG HOWARD LEAF USAF RET WASHINGTON DC 20330-1650
1	USAF PHILLIPS LABORATORY ATTN PL WS 3550 ABERDEEN AVE SE ATTN WILLIAM BAKER KIRKLAND AFB NM 87117-5576
1	USAF WRIGHT LABORATORY WL FIVS ATTN MARTIN LENTZ WRIGHT PAT AFB OH 45433-6553
1	USAF WRIGHT LABORATORY ARMAMENT DIRECTORATE TECH MGMT DIV WL MNP WALTER MAINE 101 EGLIN BULD SUITE 302 EGLIN AFB FL 32542-6810
1	USAF WRIGHT LABORATORY 1901 TENTH ST ATTN RALPH LAUZZE WRIGHT PAT AFB OH 45433-7605
1	USAF WRIGHT LABORATORY DIRECTOR OF ARMAMENT ATTN WL MN COL JOHN PLETCHER EGLIN AFB FL 32542
1	USAF ASC XRA BLDG 16 2275D ST SUITE 10 HUGH GRIFFIS WRIGHT PAT AFB OH 45433-7227

<u>No of</u> <u>Copies</u>	<u>Organization</u>
1	USAF WL FIV ST BLDG 63 1901 TENTH ST DONALD VOYLS WRIGTH PAT AFB OH 45433-7605
1	USAF WL MNS 101 WEST EGLIN BOULEVARD SUITE 302 LANNY G BURDGE EGLIN AFB FL 32542-6810
1	HQ USAF SPECIAL OPERATIONS CMD AFSOC LGMW 100 BARLEY ST ATTN MSGT PAUL PEACOCK HURLBURT FIELD FL 32536
1	US AF OPER TEST & EVAL CMD ATTN AFOCTE CN MARION WILLIAMS 8500 GIBSON BULD SE KIRKLAND AFB NM 87117-5558
1	USA AVIATION LOGISTICS SCHOOL AVIATION TRADES TRAINING BLDG 2715F ATTN LTC ALPHONSO MATHEWSON FT EUSITA VA 23604-5439
4	ARMY RESEARCH OFFICE MATH AND CS DIV PO BOX 1221 ATTN DR JAGDISH CHANDRA K CLARK DR WU DR MING LING RES TRI PARK NC 27709-2211
1	DEFENSE NUCLEAR AGENCY WE MICHAEL GILTRUDE 6801 TELEGRAPH RD ALEXANDRIA VA 22310-3398
1	US GAO DIR PROG EVAL PHYS SYS 441 G STREET NW RM 4062 KWAI-CHUENG CHAN WASHINGTON DC 20548
1	LAWRENCE LIVERMORE NATIONAL LABORATORY PO BOX 808 L159 ATTN MILTON FINGER LIVERMORE CA 94551

No of Copies	<u>Organization</u>
1	LOS ALAMOS NATIONAL LAB CONV WEAPON TECHNOLOGIES PO BOX 1663 MAIL STOP A133 JOSEPH REPA LOS ALAMOS NM 87545
1	LOS ALAMOS NATIONAL LAB LANL D-DO MS B218 GENE MCCALL LOS ALAMOS NM 87545
1	USAMICOM ATTN AMSMI-RD PAUL L JACOBS REDSTN ARSENAL AL 35898-5240
1	CMDR USA OPTEC 4501 FORD AVE CSTE ZT HANK DUBIN ALEXANDRIA VA 22302-1458
1	CMDR USA OPTEC 4501 FORD AVE CSTE ZT LTC CRABTREE PARK CENTER IV ALEXANDRIA VA 22302-1458
1	US SPACE & STRATEGIC DEFENSE CMD ATTN HELSTFCSSD HD COL LARRY ANDERSON WSMR NM 88002-5148
1	USA TEXCOM ATTN CSTE TTD BRIAN BARR TECHNICAL DIR FT HOOD TX 76544-5065
1	NWSCDL JTCG ME PROGRAM OFFICE G202 BLDG 221 RM 245 ATTN GEORGE A WILLIAMS DAHLGREN VA 22448-5100
1	US MILITARY ACADEMY DEPT OF MATH SCI THAYER HALL ATTN MAJ DAVE OLWELL WEST POINT NY 10996-1786
1	DR MARTHA K NELSON DEPARTMENT OF BUSINESS ADMIN FRANKLIN AND MARSHALL COLLEGE PO BOX 3003 LANCASTER PA 17604-3003

No of Copies	<u>Organization</u>
1	DR ED WEGMAN GEORGE MASON UNIVERSITY CTR COMPUTATIONAL STATISTICS FAIRFAX VA 22030
1	DEPT OF INDUST ENGNRNG UNIV OF WISCONSIN MADISON ATTN S M ROBINSON 1513 UNIVERSITY AVE MADISON WI 53706-1572
1	ADPA 2101 WILSON BLVD SUITE 400 MICHELE BILOWICH ARLINGTON VA 22201-3061
2	APPLIED RES ASSOCIATES INC 4300 SAN MATEO BLVD SUITE A220 ATTN FRANK MAESTAS BILL HACKER ALBUQUERQUE NM 87110
2	APPLIED RES ASSOCIATES INC 219 W BEL AVE SUITE 5 ATTN RICH SCUNGIO MARK BURDESHAW ABERBEEN MD 21001
1	ASI TEST CONSULTANT 825 NORTH DOWNS SUITE C GARY BURGNER RIDGECREST CA 93555
1	ASI SYSTEMS INTL 56 IVERNESS DRIVE E SUITE 260 LARRY ULLYATT ENGLEWOOD CO 80112-5114
1	BOOZ ALLEN & HAMILTON INC WL FIVS SURVIAC 2130 EIGHTH ST SUITE 1 ATTN KEVIN CROSTHWITE WRIGHT PAT AFB OH 45433-7542
1	BRIGS COMPANY 2668 PETERSBOROUGH ST JOE BACKOFEN HERNDON VA 20171
1	DIRECTED TECHNOLOGIES INC 4001 N FAIRFAX DRIVE SUITE 775 ATTN NANCY CHESSER ARLINGTON VA 22203

<u>No of</u> <u>Copies</u>	<u>Organization</u>
1	DUAL INC 2101 WILSON BVLD SUITE 600 GORDON TILLERY ARLINGTON VA 22201-3078
1	GEORGIA INSTITUTE OF TECH T&E RESEARCH & EDUCATION CTR ML CD 0840 SAM BLANKENSHIP CRB BUILDING ROOM 631 400 TENTH STREET ATLANTA GA 30318
1	HICKS AND ASSOCIATES INC 1710 GOODRIDGE DRIVE SUITE 1300 DONALD FREDERICKSEN MCLEAN VA 22044
3	INSTITUTE FOR DEFENSE ANALYSIS ATTN LARRY WELCH LOWELL TONNESSEN BENJAMIN W TURNER 1801 N BEAUREGARD STREET ALEXANDRIA VA 22311-1772
1	INSTITUTE FOR DEFENSE ANALYSIS ATTN DAVE HARDISON 3807 BENT BRANCH RD FALLS CHURCH VA 22041
1	K&B ENGINEERING ASSOCIATES 6109 G ARLINGTON BVLD ATTN CHARLES BENARD FALLS CHURCH VA 22044
1	LOCKHEED MARTIN VOUGHT SYSTEMS CORP PO BOX 650003 MAILSTOP EM 36 ATTN JIM URBANOWICZ DALLAS TX 75265-0003
1	LOGICON RDA 2100 WASHINGTON BVLD ATTN WILLIAM LESE JR ARLINGTON VA 22204
1	LOGISTICS MANAGEMENT INSTITUTE 2000 CORPORATE RIDGE ATTN JERRY WALLICK MCLEAN VA 22103-7805

<u>No of</u> <u>Copies</u>	<u>Organization</u>
1	QUANTUM RESEARCH INTERNATIONAL CRYSTAL SQUARE 5 SUITE 703 1755 JEFFERSON DAVIS HIGHWAY ATTN DON BRISTOL ARLINGTON VA 22202-3509
1	QUESTECH INC 901 N STUART STREET SUITE 605 ATTN MIKE EGGLESTON ARLINGTON VA 22203
1	RAYTHEON COMPANY EXECUTIVE OFFICES 141 SPRING STREET FRANK KENDALL LEXINGTON MA 02173
1	ROCKWELL INTERNATIONAL ROCKETDYNE DIVISION 6633 CANOGA AVE EB58 DONALD STEVENSON CANOGA PARK CA 91309
1	SAIC 2301 YALE BVLD SE SUITE E ALBUQUERQUE NM 87106
2	SAIC TEST EVAL & ANAL OPERATIONS 8301 GREENSBORO DRIVE SUITE 460 PO BOX 50132 ATTN RICHARD E HELMUTH II BRUCE F ROGERS MCLEAN VA 22102
1	THE SURVICE ENGINEERING CO 1003 OLD PHILADELPHIA RD SUITE 3 J FOULK ABERDEEN MD 21001
1	BOB BARR 18605 CABIN RD TRIANGLE VA 22172-1505
1	ROBERT DEITZ PERKINS COIE 607 FOURTEENTH ST NW WASHINGTON DC 20005-2011

No of  
Copies Organization

1 ARTHUR O KRESSE  
11709 COLDSTREAM DRIVE  
POTOMAC MD 20854

1 TED PARKER  
3061 MIMOM RD  
ANNAPOLIS MD 21403

1 DIR US TRADOC ANAL CTR  
FT LEAVENWORTH  
ATTN ATRC ZD  
MR MICHAEL F BAUMAN  
FT LEAVENWORTH KS 66027-5200

1 DIR US TRADOC ANAL CTR  
WHITE SANDS MISSILE RANGE  
ATTN ATRC W  
MR ROY REYNOLDS  
WSMR NM 88002-5502

1 US ARMY CONCEPTS ANAL AGEN  
ATTN CSCA ZA  
MR EDGAR B VANDIVER III  
8120 WOODMONT AVENUE  
BETHESDA MD 20814-2797

**Aberdeen Proving Ground**

1 DIR USARL SLAD  
ATTN AMSRL SL B433  
J SMITH

6 DIR USARL SLAD  
ATTN AMSRL SL B238  
R SANDMEYER  
P TANENBAUM  
M MUUSS  
L BUTLER  
J ANDERSON  
B PARKER

25 DIR USARL SLAD  
ATTN AMSRL SL E  
BLDG E3331  
M. STARKS (25 cpys)

50 DIR USARL SLAD  
ATTN AMSRL SL B  
P DEITZ (25 cpys)  
W WINNER (25 cpys)

No of  
Copies Organization

25 DIR USARL SLAD  
ATTN AMSRL SL BA

39 DIR USARL SLAD  
ATTN AMSRL SL BE

32 DIR USARL SLAD  
ATTN AMSRL SL BG

25 DIR USARL SLAD  
ATTN AMSRL SL BN

1 DIR USAMSA  
ATTN ATTN: AMXSY BLDG 392  
J MCCARTHY

1 DIR USARL WMRD  
ATTN AMSRL WM  
DR MAY

1 DIR USARL WMRD  
ATTN AMSRL WM-M  
J WALBERT

1 DIR USARL ISTD  
ATTN AMSRL IS CI  
B BODT

1 DIR USARL  
ATTN AMSRL TT TA  
BLDG 459  
MICHAEL RAUSA

1 CMDR TECOM  
ATTN AMSTE TM RYAN BLDG  
G L HOLLOWAY

1 CMDR US ARMY ORDNANCE  
CTR & SCHOOL  
ATTN ATSLCD BDAR  
MSGT ROBERT GEHR

2 CMDR  
ARMY TEST EVAL CMND  
ATTN AMSTE TD  
STEAC RS

No of  
Copies Organization

17 CMDR OPTEC EAC  
ATTN CSTE EAC  
A BENTON  
J CHERNICK  
L DELATTRE  
L FILLINGER  
T FISHER  
L KRAVITZ  
A LAGRANGE  
J MYERS  
T NOLAN  
R POLIMADEI  
R REDWINSKI  
J. STREILEIN  
K TARQUINI  
L WEST  
L WILSON  
R WOJCIECHOWSKI

REPORT DOCUMENTATION PAGE			Form Approved OMB No. 0704-0188	
<small>Public reporting burden for this collection of information is estimated to average 1 hour per response, including the time for reviewing instructions, searching existing data sources, gathering and maintaining the data needed, and completing and reviewing the collection of information. Send comments regarding this burden estimate or any other aspect of this collection of information, including suggestions for reducing this burden, to Washington Headquarters Services, Directorate for Information Operations and Reports, 1215 Jefferson Davis Highway, Suite 1204, Arlington, VA 22202-4302, and to the Office of Management and Budget, Paperwork Reduction Project (0704-0188), Washington, DC 20503.</small>				
1. AGENCY USE ONLY (Leave blank)		2. REPORT DATE March 1998	3. REPORT TYPE AND DATES COVERED Final, Jan 97 - Oct 97	
4. TITLE AND SUBTITLE The Generation, Use, and Misuse of "PKs" in Vulnerability/Lethality Analyses			5. FUNDING NUMBERS 1L162618AH80	
6. AUTHOR(S) Paul H. Deitz and Michael W. Starks				
7. PERFORMING ORGANIZATION NAME(S) AND ADDRESS(ES) U.S. Army Research Laboratory ATTN: AMSRL-SL-B Aberdeen Proving Ground, MD 21005-5068			8. PERFORMING ORGANIZATION REPORT NUMBER ARL-TR-1640	
9. SPONSORING/MONITORING AGENCY NAMES(S) AND ADDRESS(ES)			10. SPONSORING/MONITORING AGENCY REPORT NUMBER	
11. SUPPLEMENTARY NOTES				
12a. DISTRIBUTION/AVAILABILITY STATEMENT Approved for public release; distribution is unlimited.			12b. DISTRIBUTION CODE	
13. ABSTRACT ( <i>Maximum 200 words</i> ) <p>Beginning with World War II and its aftermath, the area of ballistic vulnerability/lethality (V/L) was first defined as a specific discipline within the field of ballistics. As the field developed, various practices and metrics emerged. In some cases metrics were developed that were abstractly useful but bore no direct relationship to field observables. In the last decade, as issues concerning Live-Fire strategies have gained importance, increased attention has been focused on V/L with the intent of bringing greater rigor and clarity to the discipline. In part this effort has taken the form of defining a <i>V/L Taxonomy</i>, which is a method of decomposing a series of concatenated complex processes into separable, less-complex operations, each with certain specifiable properties and relationships.</p> <p>Using the Taxonomy, this report describes the most commonly used V/L metrics are a function of platform <i>aggregate damage</i>, reduced platform <i>capability</i>, and reduced <i>military utility</i>. We show that these three distinct and separable classes of metrics are linked by operators that are multivariate, stochastic, and nonlinear. We also show that it is useful to form probability distributions with respect to initial and boundary conditions in order to characterize damage, capability, and utility. Many defense community studies ignore these distinctions to the detriment of fundamental clarity. Examples are given and potential remedies described.</p>				
14. SUBJECT TERMS vulnerability, lethality, ballistic, survivability, probability of kill			15. NUMBER OF PAGES 36	
			16. PRICE CODE	
17. SECURITY CLASSIFICATION OF REPORT UNCLASSIFIED	18. SECURITY CLASSIFICATION OF THIS PAGE UNCLASSIFIED	19. SECURITY CLASSIFICATION OF ABSTRACT UNCLASSIFIED	20. LIMITATION OF ABSTRACT UL	

INTENTIONALLY LEFT BLANK.

## USER EVALUATION SHEET/CHANGE OF ADDRESS

This Laboratory undertakes a continuing effort to improve the quality of the reports it publishes. Your comments/answers to the items/questions below will aid us in our efforts.

1. ARL Report Number/Author ARL-TR-1640 (Deitz) Date of Report March 1998

2. Date Report Received \_\_\_\_\_

3. Does this report satisfy a need? (Comment on purpose, related project, or other area of interest for which the report will be used.) \_\_\_\_\_  
\_\_\_\_\_  
\_\_\_\_\_

4. Specifically, how is the report being used? (Information source, design data, procedure, source of ideas, etc.) \_\_\_\_\_  
\_\_\_\_\_  
\_\_\_\_\_

5. Has the information in this report led to any quantitative savings as far as man-hours or dollars saved, operating costs avoided, or efficiencies achieved, etc? If so, please elaborate. \_\_\_\_\_  
\_\_\_\_\_  
\_\_\_\_\_

6. General Comments. What do you think should be changed to improve future reports? (Indicate changes to organization, technical content, format, etc.) \_\_\_\_\_  
\_\_\_\_\_  
\_\_\_\_\_  
\_\_\_\_\_

CURRENT  
ADDRESS

\_\_\_\_\_  
Organization

\_\_\_\_\_  
Name

\_\_\_\_\_  
E-mail Name

\_\_\_\_\_  
Street or P.O. Box No.

\_\_\_\_\_  
City, State, Zip Code

7. If indicating a Change of Address or Address Correction, please provide the Current or Correct address above and the Old or Incorrect address below.

OLD  
ADDRESS

\_\_\_\_\_  
Organization

\_\_\_\_\_  
Name

\_\_\_\_\_  
Street or P.O. Box No.

\_\_\_\_\_  
City, State, Zip Code

(Remove this sheet, fold as indicated, tape closed, and mail.)  
**(DO NOT STAPLE)**