

065252

JPRS-EPS-84-150

6 December 1984

**DISTRIBUTION STATEMENT A**  
Approved for public release;  
Distribution Unlimited

# East Europe Report

POLITICAL, SOCIOLOGICAL AND MILITARY AFFAIRS

19980722 105

**DTIC QUALITY INSPECTED 3**

**FBIS**

FOREIGN BROADCAST INFORMATION SERVICE

REPRODUCED BY  
NATIONAL TECHNICAL  
INFORMATION SERVICE  
U.S. DEPARTMENT OF COMMERCE  
SPRINGFIELD, VA. 22161

608  
H8  
A05

## NOTE

JPRS publications contain information primarily from foreign newspapers, periodicals and books, but also from news agency transmissions and broadcasts. Materials from foreign-language sources are translated; those from English-language sources are transcribed or reprinted, with the original phrasing and other characteristics retained.

Headlines, editorial reports, and material enclosed in brackets [] are supplied by JPRS. Processing indicators such as [Text] or [Excerpt] in the first line of each item, or following the last line of a brief, indicate how the original information was processed. Where no processing indicator is given, the information was summarized or extracted.

Unfamiliar names rendered phonetically or transliterated are enclosed in parentheses. Words or names preceded by a question mark and enclosed in parentheses were not clear in the original but have been supplied as appropriate in context. Other unattributed parenthetical notes within the body of an item originate with the source. Times within items are as given by source.

The contents of this publication in no way represent the policies, views or attitudes of the U.S. Government.

## PROCUREMENT OF PUBLICATIONS

JPRS publications may be ordered from the National Technical Information Service, Springfield, Virginia 22161. In ordering, it is recommended that the JPRS number, title, date and author, if applicable, of publication be cited.

Current JPRS publications are announced in Government Reports Announcements issued semi-monthly by the National Technical Information Service, and are listed in the Monthly Catalog of U.S. Government Publications issued by the Superintendent of Documents, U.S. Government Printing Office, Washington, D.C. 20402.

Correspondence pertaining to matters other than procurement may be addressed to Joint Publications Research Service, 1000 North Glebe Road, Arlington, Virginia 22201.

6 December 1984

EAST EUROPE REPORT  
POLITICAL, SOCIOLOGICAL AND MILITARY AFFAIRS

CONTENTS

INTERNATIONAL AFFAIRS

- Use of Auxiliary Fins on Warsaw Pact Vessels Described  
(H. Mehl; VOLKSARMEE, No 29, 1984) ..... 1

CZECHOSLOVAKIA

- Jazz Music Outlawed in CSSR  
(Alf Skjeseth; KLASSEKAMPEN, 19 Oct 84) ..... 4

- TRIBUNA Attack on Punk, New Wave Music  
(KLASSEKAMPEN, 19 Oct 84) ..... 6

GERMAN DEMOCRATIC REPUBLIC

- Joint Communique on PDRY Chairman Visit  
(NEUES DEUTSCHLAND, 13 Nov 84) ..... 7

- PDRY Secretary General Speaks at Plant Rally  
(Ali Nasir Muhammad Hasani; NEUES DEUTSCHLAND, 10-11 Nov 84) 13

- Payment Demanded for West Berlin's S-Bahn Use  
(FRANKFURTER ALIGEMEINE, 29 Oct 84) ..... 16

- East Berlin To Receive High-Ranking Norwegian Visitors  
(AFTENPOSTEN, 10 Nov 84) ..... 18

- SED's Felfe Addresses GOSR Rally  
(Werner Felfe; NEUES DEUTSCHLAND, 8 Nov 84) ..... 20

- Morale, Psychological Factors Held Essential for Warfare  
(Sredin, et al.; VOLKSARMEE, No 29, 1984) ..... 36

- Book on Love, Sex Among Younger Generation Reviewed  
(R. Boulton; FRIHETEN, 2 Oct 84) ..... 39

POLAND

Mokrzyszczak Addresses Romanian Workers (TRYBUNA LUDU, 21 Nov 84) .....	41
Provincial Interior Ministry Officials Speak to Press (Various sources, various dates) .....	43
Role of Security, Wieslaw Dzialowski Interview Past, Present Situation, Aleksander Borysiewicz Interview Cooperation With Society, Zdzislaw Stocki Interview Law, Order, Jozef Dolak Interview	
Executive Order Defines Duties of Planning Commission (DZIENNIK USTAW, No 43, 7 Sep 84) .....	59
Briefs	
Jaruzelski Speaks at Skierniewice Party Meeting	66

ROMANIA

Chinese Economic Reform Analyzed (SCINTEIA, 24 Oct 84; LUMEA, 25 Oct 84) .....	67
Main Aspects of Reform Reviewed Old Planning Concepts Rejected	
Briefs	
Removal of Deputy Minister	74

## USE OF AUXILIARY FINS ON WARSAW PACT VESSELS DESCRIBED

East Berlin VOLKSARMEE in German No 29, 1984 (signed to press 16 Jul 84) p 8

[Article by Comdr H. Mehl: "Against Rolling: Ships With Fins"]

[Text] Attempts and experiments to influence directly through technical means the wave-caused rolling of ships go back about 100 years into the history of naval engineering. In the case of passenger ships the almost exclusive concern was to make life on board as comfortable as possible for the passengers and shield them from the troublesome side effects of seasickness. On the other hand, in naval shipbuilding the predominant aim was to improve weapon use--at that time mainly of naval gunnery. The aim of the first experiments was to install a shallow tank, partly filled with water, laterally in the hull. In case of rolling a wave would originate in the tank, flowing in the direction of the roll. When the ship righted, a countermomentum was obtained through the onesided mass displacement. Even though the effect could be theoretically proven, these "free liquid surfaces" could be controlled only in rare ideal situations. Often the opposite result was achieved (through the identical phasing of roll and overflow) and rolling increased. Only beginning in 1911 were these devices developed further, when the German shipyard director Frahm constructed a differential tank with overflow pipes. This device was adopted in naval construction as a passive stabilizing device. In the early 30s the first active stabilizing devices, in the form of gigantic gyroscopic stabilizers, were installed in ships. For example, the Italian passenger liner "Conte di Savoia" (48502 BRT) had a Sperry gyroscope (named after the American inventor) with a mass of 780 tons (!) It is said that the gyroscope produced countermoments reducing the roll in heavy North Atlantic seas from 24 to 3 degrees. However, because of its large mass, high cost, and need of valuable ship space this stabilizing system did not prevail. Repeated efforts to change Frahm's tank into an active stabilizing system through the use of gyro-controlled pumps were not very successful. Such devices were temporarily used only in some ships of the Fascist German navy (the cruisers "Leipzig" and "Nurnberg," and destroyers Z1 through Z16, but were removed from the latter).

#### Bilge Keels Are Better

In the meantime the so-called bilge keels had proven themselves as effective and cheap stabilizing devices. These strips of flat steel, attached to both sides of the ship under the water line, soften the roll through increased

resistance caused by turbulences and eddies on the otherwise smooth hull. However, they achieve their optimum effect at relatively low speeds, for example, when the ship is dead in water or riding at anchor. Still, today more than 90 percent of naval vessels of all classes have bilge keels, including the Soviet antisubmarine cruisers "Moskva" and "Leningrad."

As early as 1936 the first steps were taken to achieve a new kind of stabilization through the attachment of moving fins to the hull. However, these devices were accepted for a large number of warships only after World War II. On the one hand, developments in modern measurement, control, and automated control technology created favorable preconditions for constructing such devices. On the other hand, the adoption of electronically guided weapons systems and an increased use of onboard helicopters called for active countermeasures against rolling that could reduce combat effectiveness.

Essentially, the fins, having identical cross-sections, function in that they cause a buoyancy effect when the ship is in motion and the fins are angled. This is similar to the function of an airplane wing. The lift causes a counter-roll moment at the hull. The usually hydraulic adjustment device is controlled by sensors, so that the fins will assume the exact angle at the appropriate side required for the optimum countermomentum depending on the rhythm of the roll. Since water is about 800 times denser than air, relatively small surfaces are sufficient to cause major lifting effects. The effect of these devices becomes even greater when large fins are equipped with independently adjustable auxiliary fins. Such devices are able to reduce rolling of a moving ship by up to 90 percent. Since the fins exert their maximum effect only at speeds over 10 to 12 nautical miles, almost all warships also have bilge keels. Modern ships with displacements of some 3000 tons and above already have two fin stabilization devices with a total of four fins. The mass of one of these devices is 30 tons in the case of the Japanese flight deck destroyer "Haruna" (each fin has a surface of eight square meters.) So as to avoid unnecessary speed loss in calm seas the fins are usually collapsible or retractable, with the hull openings closed by contoured hatches.

The coastal defense vessels of the People's Navy--"Berling, capital of GDR" and "Rostock" have retractable fin stabilizing devices.

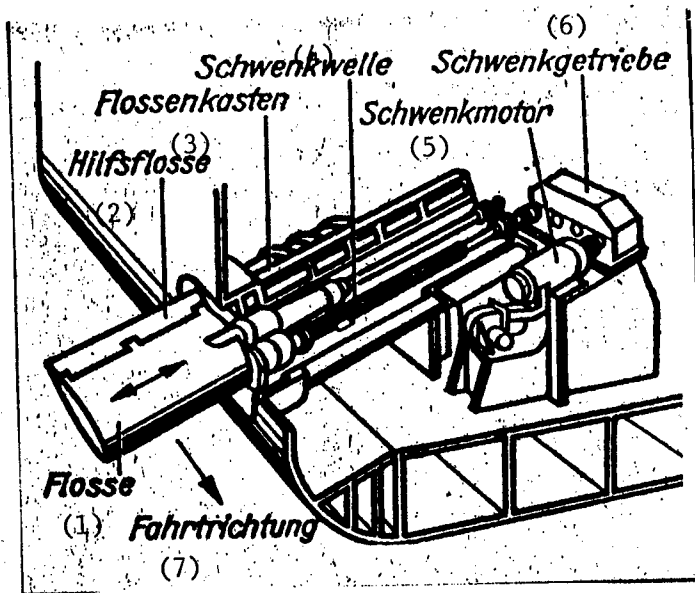


Fig. 4. Main Components of Retractable Moveable Fin

- Key:
1. Fin
  2. Auxiliary Fin
  3. Fin Housing
  4. Swivel Shaft
  5. Swivel Motor
  6. Swivel Gears
  7. Direction of Movement

9240

CSO: 2300/95

JAZZ MUSIC OUTLAWED IN CSSR

Oslo KLASSEKAMPEN in Norwegian 19 Oct 84 p 5

[Article by Alf Skjeseth: "Ban on Jazz in Czechoslovakia"]

[Text] Starting today, the jazz section of the Czechoslovakian musicians association is a criminal organization. The ban against the jazz section means that perhaps the largest crack in the ice in Czechoslovakia's cultural life is frozen over.

The formal prohibition against the organization was neither sudden nor surprising. The jazz section has been in the governing authorities' spot-light for many years which has led to an ever-increasingly strict line: barely allowed or forbidden.

On 19 July, the entire musicians' association was suspended for a period of 3 months. The suspension was lifted today. The sections within the association which have been viewed as belonging to the "opposition" have received an ultimatum from the authorities. They must sign a loyalty oath and make a "confession" for their previous activity in order to be allowed to continue.

Denial

The members of the jazz section were called to a meeting at the Culture Ministry 14 days ago. They refused to make such "confessions," Jan Kavan of Palach Press in London told KLASSEKAMPEN.

"They were told that they had a choice between acceding to the authorities' decrees or being declared an illegal organization. The representatives would not compromise. They have nothing to 'confess' and instead, have accepted the consequences."

Another group--which calls itself the Youth Music Section--has taken a different tactic. They have signed the authorities' oath, but just for the sake of appearance.

[Question] "Does that mean that all public appearances and concerts under the auspices of the jazz section will cease?"

[Answer] "It is too early to say. Life underground is not unknown to musicians, writers and the public in the milieu surrounding the jazz section. It remains to be seen how stringently the police will handle the prohibition against the organization's activity. In any case, they have a formal clear signal to use imprisonment and interrogation much more than previously.

"A clear sign that they are serious about attempting to eliminate the jazz section is that the police are now visiting all the printers who have printed the publications of the jazz section and are requiring written guaranties that they no longer will undertake more work. Printers who do not adhere to this order risk being closed."

[Question] "What is the connection between the jazz section and the youth organization?"

[Answer] "The youth music section attracts younger members and the public and is concerned only with music. The jazz section has a broader following--also age-wise--and is concerned with additional art forms. In addition, it is more ideologically oriented and reflects a focal point for people who are opposed culturally and politically to the party line. In this regard, the jazz section has been a big political problem for the authorities, while the youth section, for the most part, has been a case of irritation," states Jan Kavan.

12578

CSO: 3639/40

CZECHOSLOVAKIA

TRIBUNA ATTACK ON PUNK, NEW WAVE MUSIC

Oslo KLASSEKAMPEN in Norwegian 19 Oct 84 p 5

[Article: "Against Our System"]

[Text] The jazz section in Czechoslovakia does not conduct direct and polemic political opposition of the type we are accustomed to in Western democracies. "The opposition" offers an alternative lifestyle, cultivating Western pop music and social criticism in the form of satire and symbolism.

But this is more than enough for the authorities who see any form of free expression and all non-conforming conduct as a deadly threat.

During the spring of 1983, the authorities sharpened the tone in earnest against the underground cultural milieu in Prague after having put up barriers to the jazz section's practical efforts for years. The party's weekly newspaper, TRIBUNA, made a sharp attack on punk and New Wave music forms. Punk music was called "provocative conduct" and an "impolite guest," attempting to "encourage young people to fight against our system."

This was a more direct ideological declaration of war than previously, and the article was the first shot of a campaign which now is culminating in the closing down of the jazz section.

The jazz section does not have formal ties to human rights groups such as Charter 77. But socially, these groups are composed, by and large, of the same type people--at any rate as far as concerns the younger members of the Charter milieu. And the jazz section clearly has achieved something which Charter 77 has not: mobilizing large groups of people to collective and common activity. This has had a great significance notwithstanding that the activity has not been more drastic than listening to song concerts or rock bands.

12578

CSO: 3639/40

JOINT COMMUNIQUE ON PDRY CHAIRMAN VISIT

AU151223 East Berlin NEUES DEUTSCHLAND in German 13 Nov 84 p 2

["Joint Commique on the official friendship visit of 'Ali Nasir Muhammad, general secretary of the Central Committee of the Yemeni Socialist Party, chairman of the Supreme People's Council Presidium, and chairman of the Council of Ministers of the People's Democratic Republic of Yemen, in the GDR from 8-12 November"]

[Text] At the invitation of Erich Honecker, SED Central Committee general secretary and GDR State Council chairman, 'Ali Nasir Muhammad, general secretary of the Central Committee of the Yemeni Socialist Party [YSP], chairman of the Supreme People's Council, and chairman of the Council of Ministers of the People's Democratic Republic of Yemen [PDRY], paid an official friendship visit to the GDR from 8 to 12 November at the head of a party and government delegation.

The meetings between Erich Honecker and 'Ali Nasir Muhammad took place in an atmosphere marked by friendly and mutual agreement.

In the talks the full agreement of views on the questions of bilateral relations and the topical international situation was expressed.

On the side of the GDR the talks were attended by:

Hermann Axen, Politburo member and secretary of the SED Central Committee; Egon Krenz, Politburo member, secretary of the SED Central Committee, and deputy chairman of the State Council; Oskar Fischer, SED Central Committee member and minister for foreign affairs; Guenter Sieber, SED Central Committee member and head of the Department for International Relations of the SED Central Committee; Horst Soelle, SED Central Committee member and minister for foreign trade; Eberhard Aurich, SED Central Committee member and first secretary of the FDJ Central Council; Frank-Joachim Herrman, SED Central Committee candidate member and head of the chancery of the State Council chairman, Reiner Neumann, ambassador extraordinary and plenipotentiary of the GDR to the PDRY.

On the PDRY side the talks were attended by: [Spelling of all Yemeni names as published, except foreign minister and industry minister]

Salem Saheh Mohammed, Politburo member and secretary of the YSP Central Committee; 'Abd al-'Aziz al-Dali, YSP Central Committee Politburo member and minister for foreign affairs; Riad Al-Akbari, YSP Central Committee member, member of the presidium of the Supreme People's Council, and first secretary of the Yemeni Youth Association; Mehdi Abdullah Saeed, YSP Central Committee member and chairman of the Supreme Committee for People's Control; 'Abd al-Qadir Ba Jammal, YSP Central Committee candidate member and minister of industry; Alawe Hussein Farhan, deputy chairman of the Committee for State Security; Hussan Hubeishi, main department head in the Ministry of Planning; Ali Munasser, head of the Department for European Socialist Countries in the foreign ministry; Abdul Wakeel Al Sarruri, ambassador extraordinary and plenipotentiary of the PDRY to the GDR; Gamal Saleh, staff member of the YSP Central Committee Department for International Relations; Ahmed Abdul Rahman Bisher, deputy head of the office of 'Ali Nasir Muhammad.

'Ali Nasir Muhammad laid a wreath at the monument to the victims of fascism and militarism and visited enterprises, sights, and cultural institutions in the capital of the GDR, Berlin, and in the Potsdam and Erfurt Bezirks.

Erich Honecker reported on the achievements of the GDR made under the leadership of the SED in the 35 years since the foundation of the first German worker-peasant state.

'Ali Nasir Muhammad praised the successes of the friendly GDR people in shaping developed socialism. He highly assessed the firm and principled positions of the GDR and its commitment at the side of the Arab peoples against imperialism, Zionism, and reaction, for peace, independence, and social progress.

'Ali Nasir Muhammad reported on the struggle of the Yemeni people in the past years and the successes achieved in various fields. He presented the most important tasks which the YSP and the PDRY government is to solve in the coming phase.

Erich Honecker praised the revolutionary achievements and successes which the PDRY working people have achieved under the leadership of the YSP in strengthening the progressive regime and in comprehensively implementing the strategic aims of the Yemeni revolution. He stressed the role of the PDRY in the development of uniform positions of the Arab anti-imperialist forces in the struggle against imperialism, Zionism, and reaction.

Erich Honecker noted with satisfaction the efforts of the PDRY and the Yemeni Arab Republic to continue their good contacts and fraternal relations on the basis of the agreements concluded between the PDRY and the Yemeni Arab Republic in the interest of the Yemeni people. He paid tribute to the establishment of goodneighborly relations of the PDRY with their neighboring countries as a contribution to implementing the principles of peaceful coexistence between states of diverse social order.

Both sides expressed their satisfaction with the developed level of the relations between the SED and YSP, as well as between the governments of the two states and the social organizations.

They expressed their satisfaction with the positive results achieved in the past year in developing the economic, scientific, technological, and cultural cooperation on the basis of the treaty on friendship and cooperation between the two friendly states.

They expressed their readiness to even more comprehensively develop the cooperation in the coming years in the interest of both friendly peoples and states. During the visit, agreements on further deepening the political, economic, and cultural cooperation were signed.

Both sides referred to the continued aggravation that has developed in the international situation due to the aggressive course of U.S. imperialism and its NATO allies. These forces are pursuing an unbridled accelerated arms race, are inventing new systems of mass destruction weapons, and deploying nuclear first strike weapons in West European countries that can also reach the Middle East. They are pursuing the aim to change the military-strategic balance of power in their favor, suppress the legitimate striving of the peoples for peace and social progress, force upon these peoples their will, create new hotbeds of tension in the world, endanger world peace and international security.

The continuation of this dangerous aggressive course against the peoples increases international tensions and drives the world to the fringe of a destructive nuclear inferno threatening the existence of mankind.

Both sides appeal to the peoples to strengthen their efforts in the struggle against this adventurous policy and to unite them in order to ban the danger of a nuclear catastrophe and secure world peace.

They stressed that the unity and cohesion of the states of the socialist community is an essential prerequisite for the success of this struggle to prevent a destructive nuclear war and to improve the international climate.

'Ali Nasir Muhammad expressed the support of the PDRY for the countermeasures taken on the GDR territory to preserve the military balance.

Erich Honecker and 'Ali Nasir Muhammad stressed the increasing importance of the proposals of the Soviet Union as well as of the proposals for protecting peace, for disarmament and for strengthening the international security contained in the Prague declaration of the Warsaw Pact states, in the Moscow declaration of the leading representatives of the socialist states, and in the documents of the economic meeting of the CEMA countries in Moscow.

Both sides stressed again that there is no alternative to the policy of peaceful coexistence between states of diverse social order.

Erich Honecker and 'Ali Nasir Muhammad reaffirmed their determination to continue the efforts aimed at strengthening peace and the security in Europe, the Middle East as well as in other regions of the world.

Both sides praised the active role of the nonaligned movement in the struggle to secure peace.

Erich Honecker and 'Ali Nasir Muhammad discussed the dangerous situation in the Middle East. This results from the expansion policy of Israel that gets the full support of the United States. The strategic alliance between the United States and Israel remains a constant threat to peace and the existence of the Arab peoples.

The GDR and the PDRY condemned the activities of the United States and the NATO states to create deployment bases in the Middle East as well as to include this region into the aggressive plans of imperialism. Both sides opposed the attempts of NATO to find pretexts and justifications for strengthening its military presence in front of the Lebanese coast, in the Gulf, and in the Red Sea and expand their sphere of influence to these regions. They resolutely condemned the imperialist policy of blackmail, use of force, and interference in the internal affairs of the Arab states. Erich Honecker and 'Ali Nasir Muhammad called for the accelerated and unconditional withdrawal of the Israel troops from Lebanon as a precondition for guaranteeing the sovereignty, the Arab character, and the territorial integrity of Lebanon.

They demonstrated their unrestricted support for those states and patriotic forces in the Arab region that heroically ward off the imperialist conspiracy and Israeli aggressions and unswervingly defend their independence, sovereignty, and territorial integrity.

Erich Honecker and 'Ali Nasir Muhammad stressed the significance of the role of Syria and the Lebanese people in the struggle against the Israeli policy of aggression.

Both sides stressed that a just and lasting solution of the Middle East problem can only be achieved by the complete withdrawal of Israel from all territories occupied since 1967, including East Jerusalem, and by the implementation of the legitimate rights of the Palestinian people, including their right of return, self-determination, and establishment of their own independent national state on their national soil. The GDR and the PDRY expressed their deep conviction that such a solution can only be implemented by collective efforts of all sides interested, including the PLO as the only legitimate representative of the Palestinian people.

They stressed the importance of the unity of the PLO and the strengthening of its alliance with the patriotic and progressive forces in the region.

Both sides condemned the policy of imperialism in the Middle East based on separate agreements and solutions of capitulation. They have the view that the convening of an international conference is the main path to create peace and security in the region.

The GDR and the PDRY again demonstrated their support for the Soviet proposal to solve the Middle East conflict of 29 July 1984.

Both sides condemned the increasing activities of imperialism to strengthen its military presence, its interference in the internal affairs in the Gulf region, in the Red Sea, and the Horn of Africa.

Imperialism pursues the aim to create prerequisites for exploiting the resources of these states and again enforce upon them the hegemony of imperialism again. This threatens the security and integrity of the peoples.

Both sides regard the recent explosions in the Red Sea as being helpful to these goals of imperialism.

They stressed that the elimination of the imperialist military bases and the halting of the interference in the internal affairs of the states of the region by imperialism are a precondition for the security and integrity of these states.

Erich Honecker and 'Ali Nasir Muhammad stressed their readiness to make an active contribution to transforming the region of the Indian Ocean, including the Arabian Sea, into a zone of permanent peace and constant security without a military presence of imperialism. They spoke out in favor of implementing the international conference on the Indian Ocean on the basis of the resolutions of the United Nations and the nonaligned states.

Both sides expressed their concern that the continuing Iraqi-Iranian war and its expansion serves the imperialist and reactionary forces and contributes to strengthening the imperialist presence in the region. They called for a halt to the combat actions, the ending of the war, and the solution of all problems under dispute through peaceful means by negotiations.

Both sides welcomed the foundation of the Workers Party of Ethiopia and regard it as great victory of the friendly Ethiopian peoples. They reasserted their solidarity with the Ethiopian Revolution.

Erich Honecker and 'Ali Nasir Muhammad condemned the racist policy of the Government of South Africa. They stressed their support for the struggle of the Namibian people under the leadership of the South-West African People's Organization for their freedom and independence in accordance with the decisions of the United Nations.

They expressed their solidarity with the struggle of the people of South Africa, led by the African National Congress, to eliminate the racist system of apartheid and set up a new society free of all forms of racial suppression and demanded the ending of the policy of aggression and destabilization of the South African racist regime against Angola and the other African frontline states.

Both sides renewed their support for the people of the Western Sahara in the struggle for freedom, independence, and to implement the right to self-determination.

Both sides reaffirmed their support for the efforts of the peoples of Indochina in strengthening peace in this region and in developing relations of good neighborliness and cooperation.

Erich Honecker and 'Ali Nasir Muhammad expressed their deep concern about the dangerous situation in Latin America, in particular in Nicaragua and in the

Caribbean, that developed due to the policy of force and threat of the United States against these peoples. They called for the immediate and complete withdrawal of the U.S. troops from Grenada and expressed their firm solidarity with the struggle of the peoples of Cuba, Nicaragua and El Salvador for peace, independence, and social progress.

The GDR and the PDRY called for the reshaping of the international economic relations on a just and democratic basis. They stressed the importance of the proposals submitted in the declaration of the CEMA Council of Moscow.

Erich Honecker and 'Ali Nasir Muhammad assessed highly the results of the visit and expressed their conviction that they will contribute to strengthening the developed bilateral relations between the GDR and the PDRY.

'Ali Nasir Muhammad expressed his deep gratitude to Erich Honecker and the people, the SED and the GDR government for the cordial reception and the generous hospitality extended to him and the prominent figures accompanying him during the visit in the GDR.

He invited Erich Honecker to visit the PDRY. The invitation was accepted.

CSO: 2300/115

GERMAN DEMOCRATIC REPUBLIC

PDRY SECRETARY GENERAL SPEAKS AT PLANT RALLY

AU140906 East Berlin NEUES DEUTSCHLAND in German 10/11 Nov 84 p 3

[Report on visit by Ali Nasir Muhammad Hasani, secretary general of the Yemen Socialist Party, chairman of the Supreme People's Party Assembly and chairman of the PDRY Council of Ministers, to the IFA automobile works in Ludwigsfelde on 9 November]

[Excerpt] Subsequently Ali Nasir Muhammad stepped to the microphone.

It is a great pleasure for us within the framework of our official visit to your republic, this steadfast, solid and strong bulwark of socialism in Europe, to also visit your works, the Yemeni guest stated.

Last night and this morning we conducted significant and useful talks with our friend and Comrade Erich Honecker and with comrades of the GDR party-state leadership.

Our Revolutionary Movement Wins

In doing so the identical views and positions on the various problems were reaffirmed which we discussed with respect to the area of bilateral relations existing between our states and problems related to the development and situation in the Arab region.

The Yemeni statesman expressed his great satisfaction with the continuous development of the firm militant relations between the parties and peoples of our two countries which are based on the theory of scientific socialism and the principles of proletarian internationalism. These relations have developed on the basis of the treaty of friendship and cooperation whose fifth anniversary will be festively commemorated soon.

A new life of the people is being built in the PDRY under difficult and complicated conditions. We would also like to underscore at this point that our revolutionary movement will be victorious: We have withstood all the attacks and conspiracies against our revolution and people, engineered and financed as previously by the imperialist and reactionary quarters. Thus, it is being proved in the PDRY that all the progress that is being achieved in the interest of our country's working people constitutes the only road which guarantees

happiness and prosperity for the people. And we have chosen this road, the road of the national democratic revolution with a socialist orientation.

Life has confirmed, he said, that the friendship with the Soviet Union and the other socialist states, including the GDR, is a decisive factor for the strengthening and consolidation of the progressive regime in the PDRY. And he added: We are firmly resolved to expand the comprehensive cooperation between the Yemen Socialist Party and the SED in the most varied fields.

We have heard the heartfelt words that the leading representatives of party and people in your country have found for our development and friendship. Erich Honecker's statements last evening, your solidaristic attitude toward our people expressed at this meeting today as well as at the cordial reception accorded us yesterday at our arrival in your beautiful country are an eloquent expression of our deep friendship, of our strategic alliance with the Soviet Union and the other socialist states. We are true friends and we share the same concept of the world. "Long live Marxism-Leninism, long, long!" the working people shouted.

Your Successes also Fill Us With Pride

Ali Nasir Muhammad continued: The successes and achievements of the GDR which we have seen today in the Ludwigsfelde VEB IFA combine for commercial vehicles fill us with pride and have clearly shown us the great development which has occurred in your country.

Your successes are indeed successes of which the DPRY is proud, too. The same thing also applies to our successes in the DDRY which doubtless are also successes for you and for all forces of the revolutionary movement everywhere in the world. The GDR stands in the foremost line in defending the socialist world system in Europe. The PDRY is an outpost of the socialist system in the Arab world and a bulwark of the national-liberation movements in that region.

The Yemeni party-state leader pointed out: We evince our respect and appreciation for the profound economic changes accomplished in the GDR for the benefit, happiness and prosperity of the people and for your vital contribution to consolidating security in Europe.

We are convinced at the same time that the solid material base for the further shaping of developed socialism, created by the GDR working people, will in turn help to consolidate the position of your country in the socialist community of states and in the international framework.

A Reflection of the Class Position of the GDR Workers

It is with good reason that you may be proud of your social system--the worker-present power in the GDR under the leadership of your Communist Party, the SED, with Comrade Erich Honecker at the head, the speaker underscored.

This solidarity rally reflects the truly internationalist position of the GDR workers' class and its solidarity with the workers and people of the PDRY, the

the workers' class in the Arab countries, and it is a vivid example of the attitude and course of the glorious party, the SED.

I thank you for this and would like to underscore that, despite all the development problems and the repeated plots and provocations of our class enemies against our revolution, we are carrying on our revolutionary development until we achieve our aims, Ali Nasir Muhammad stated. We shall also in the future stand side by side in the same front against imperialism and reaction, for the victory of the cause of liberation, democracy, socialism and of peace.

Once again I would like to convey to you my cordial internationalist greetings. I wish you success in fulfilling your great tasks for the well-being of your people and for the flourishing of your fatherland.

Ali Nasir Muhammad concluded with the words: Long live the revolutionary cause of the workers class of the world! Long live the banner of Marxism-Leninism! Long live proletarian internationalism! Proletarians of all countries unite!

Subsequently, Ali Nasir Muhammad handed over a silver plate with a picture of the old Yemeni city of Shibam which was founded 500 years before our era, he pointed out. There are houses there built of clay that are 15 floors high. You see, he exclaimed to strong applause, that we built skyscrapers a long time before the Americans!

CSO: 2300/109

PAYMENT DEMANDED FOR WEST BERLIN'S S-BAHN USE

Frankfurt/Main FRANKFURTER ALLGEMEINE in German 29 Oct 84 p 2

[Article by Ws.: "East Berlin Demands the Senate Compensate It From the Receipts of S-Bahn Operations"]

[Text] Berlin, 28 Oct--Ten months after the Berlin Transit Corporation (BVG) takeover of the S-Bahn, previously operated by the "German Reichsbahn" of the GDR--which rid the GDR of a substantial annual deficit in operating the S-Bahn and improved the financial situation of the "German Reichsbahn"--the GDR now has made demands of the Berlin Senate for the railroad traffic in West Berlin. A statement by the GDR news agency ADN says threateningly that it was unacceptable in the long term that, on the one hand, the "German Reichsbahn" bears the costs for railroad traffic in West Berlin while, on the other hand, it is not given access to the assets and resultant income to which it is entitled.

The official GDR news agency points out that the "German Reichsbahn" for years has ensured smooth rail transit for people and freight within, to and from West Berlin, including the transit lines to the territory of the FRG. Operation of this traffic, particularly the sizeable maintenance measures to ensure orderly and safe transport, cause the GDR--under whose jurisdiction the "German Reichsbahn" falls even in West Berlin--considerable expense and outlays. The expenses for operating the railroad in West Berlin are footed exclusively by the GDR. Furthermore, the Berlin Senate is blocking the use of assets of the "German Reichsbahn" located in West Berlin. Obviously, the Senate is trying to harm the GDR economically by disregarding the transport requirements.

ADN complains that for more than 3 decades, the "German Reichsbahn" has been "unlawfully" deprived of its right of disposal over essential parts of the assets and receipts therefrom. Among other things, it concerns such important assets as large tracts of land, warehouses and storage yards, and almost 3,000 apartments. These are properties which play a significant part in the capital assets of any railroad administration in the world. Lately, however, the Senate not only presumes to deprive the "German Reichsbahn" the right of disposal over the cited assets and resultant receipts, but now it has even started to use these funds for financing the S-Bahn operated by the West Berlin Transit Corporation. However, as long as management of the S-Bahn in West Berlin was under the jurisdiction of the "German Reichsbahn," the Senate prevented the use of these funds.

Through its spokesman the Berlin Senate rejected energetically the GDR accusations. He also explained the legal situation, which is seen differently by the eastern side, however, On the basis of Allied agreements of the postwar period, the "Reichsbahndirektion Berlin" is solely responsible for the total railroad transport of people and goods in all of Berlin. Since 1950, the "Reichsbahndirektion Berlin"--which has its seat in East Berlin--as well as the entire "Reichsbahn" is administratively under the GDR Ministry for Transportation. After the currency reform the three Western Allies, as supreme authority, determined the distribution of the Reichsbahn assets in the western sectors of Berlin. Since then, the "business assets" may be used by the "German Reichsbahn" for the railroad service, just as it is entitled to all income from that railroad service. The so-called "stock in trade," however--this includes tracts of land, storage areas, warehouses, apartments, kiosks and shops on railroad land--was handed over in 1949 by the Allies, who had confiscated it, in trust administration to the West Berlin tax office for real estate. In 1953, the three Allies transferred the trusteeship to the "Administration of former Reichsbahn Assets (stock in trade) in West Berlin" (VdeR). To this day, this firm administers in trusteeship for the account of the German Reich (Reich railroad assets) the stock in trade of the German Reichsbahn in the three western sectors of Berlin. The receipts do not go to the funds of the German federal railroad, nor to the Berlin state budget, but are reinvested in West Berlin, in, for instance, the construction of freight warehouses, renovation of apartment houses, or as loans to subsidiary corporations, such as the Railroad Housing Corporation. The area administered by VdeR covers more than 5.5 million square meters.

The trust administration of the stock in trade of the German Reichsbahn in the three western sectors is carefully supervised by the three Western Allies. The Senate spokesman stated that the VdeR uses all funds of this stock in trade according to the trusteeship mandate. The Senate sees "no reason to change this trusteeship now existing for 3 decades, which is part of the heightened status of this city." The spokesman reiterated that the "German Reichsbahn" had only been mandated by the Allies to maintain railroad service, but that "the assets of the Reichsbahn had never been transferred to it."

9917

CSO: 2300/89

GERMAN DEMOCRATIC REPUBLIC

EAST BERLIN TO RECEIVE HIGH-RANKING NORWEGIAN VISITORS

Oslo AFTENPOSTEN in Norwegian 10 Nov 84 p 11

[Text] A great many Norwegian cabinet ministers and members of parliament are expected to visit the German Democratic Republic in the course of the winter and the spring if the plans for their visits which are now in preparation will become implemented.

Minister of Church and Education Kjell Bondevik has an invitation from Margot Honecker--who is both the wife of the leader of the German Democratic Republic and the country's minister of education. January has been suggested as the time for the visit of Bondevik, who is assumed to be the first Norwegian minister of church and education to visit the "second" Germany. Minister of Commerce and Shipping Asbjørn Haugstvedt has announced his participation in the Leipzig Fair in March of next year, and Minister of Fisheries Thor Listau is expected to visit the German Democratic Republic in the spring. A visit by Minister of Health and Social Affairs Leif Arne Heløe is also in preparation. In the course of the year, Minister of Environmental Affairs Rakel Surlien is, moreover, likely to visit the German Democratic Republic, which is the source of a good deal of Northern Europe's acid rain. The minister for health and fisheries of the German Democratic Republic was in Norway a short time ago.

The Storting has been invited to send a delegation on an official visit to the German Democratic Republic during the winter, possibly sometime in the latter part of February. The German Democratic Republic is at present attempting to expand its international contacts as much as possible, and the Norwegian side is also interested in discussing concrete questions of cooperation on the ministerial level.

If the entire series of visits are arranged, the result may be that more Norwegian cabinet ministers will be visiting East Germany than West Germany next year.

The first Norwegian visitor will be the undersecretary of the Ministry of Culture and Science, Jan S. Levy, who next Monday will begin his 5-day official tour of East Germany.

He has been invited to the German Democratic Republic by the Ministry for Higher Education. In East Berlin, he will next Monday and Tuesday visit,

among other things, the Humboldt University, the Museum of German History, the Pergamon Museum and will, in particular, familiarize himself with the education provided for technical conservators. Extensive restorations of valuable old buildings--both religious and secular--have been going on for several years in the German Democratic Republic. Via Wittenberg, the town of Martin Luther, Levy will then go to Leipzig to study the local veterinary education and to visit the college of physical education. On Thursday, he will go to Greifswald on the Baltic to visit the Northern European branch of the university before returning to East Berlin on Friday for the final talks.

7262

CSO: 3639/15

GERMAN DEMOCRATIC REPUBLIC

SED'S FELFE ADDRESSES GOSR RALLY

AU121110 East Berlin NEUES DEUTSCHLAND in German 8 Nov 84 pp 3, 4

[Speech given by Werner Felfe, member of the Politburo and secretary of the SED Central Committee, at the festive event in Berlin commemorating the 67th GOSR anniversary]

[Text] Dear Comrade Erich Honecker,

Dear friends and comrades,

Esteemed guests:

Sixty seven years ago Red workers' brigades together with revolutionary sailors and soldiers stormed the Winter Palace in Leningrad, the last stronghold of the bourgeois government in Russia. They raised the red banner as a symbol of the transition of power into the hands of the Proletariat. The cruiser Avrora's gunshots had given the signal for this decisive act of the proletarian revolution in Russia. These gunshots became the signal which heralded the beginning of a new age: It was the birth of real socialism.

Led by Lenin's Party, the people overthrew the exploiters' system and for the first time workers and peasants firmly took power into their hands and created their own proletarian state. The era of the worldwide transition of mankind from capitalism to socialism had begun.

What an admirable path the country of the Red October has covered in the past 67 years! From a backward and oppressed country a powerful socialist state developed with a strong material-technical and scientific base, a society evolved with a new morality in which man and not mammon is the yardstick of all things, a bulwark of peace and progress emerged and hope for all mankind arose.

The flame of the Red October reached the hearts and minds of people on all continents. Today, we are commemorating this holiday side by side with the peoples of the USSR and with all progressive people on our globe.

It is from our festive event that we convey fraternal greetings and cordial congratulations to all the citizens of the Soviet Union, to the workers,

collective farmers, scientists, artists, to all working people, to the glorious CPSU under the leadership of our highly respected Comrade Konstantin Chernenko, on the 67th GOSR anniversary [strong, prolonged applause).

### Victory Over Fascism Showed Us the Road to a Bright Future

From the bottom of our hearts we congratulate and thank the heroes of the Great Fatherland War, our liberators. With their heroic victory over fascism, a victory whose 40th anniversary we shall soon commemorate, they have also shown our people the road to a bright future. "After the GOSR," Erich Honecker stated in his speech on the 35th anniversary of the founding of the GDR, "the victory over Hitler fascism was the second immortal liberation feat accomplished by the Soviet people." (Footnote 1) (Erich Honecker; Progress, and peace, understanding among peoples and solidarity have forever found a safe homestead in the GDR. NEUES DEUTSCHLAND, 8 October 1984, p 3)

Our special greetings are due to the sons, daughters and grandsons of the strugglers of the Red October and of the Great Fatherland War, who today in the ranks of the Soviet Army on GDR soil, and in close combat alliance with the members of our National Peoples Army [NVA], are protecting socialism against any imperialist attack and are securing peace with the required weapons. (Strong applause)

We thank all the Soviet women and men comrades who, from the first day of the new construction, have stood by us with help and advice, up to the present day. [Strong applause]

Heartfelt congratulations and thanks to all of you, dear Soviet friends and comrades! [Prolonged applause]

Dear friends and comrades,

History has proved: The GOSR's victory was a beacon for all progressive forces of the world. The news of the victory of the Russian workers class spread all over the world like a brushfire. It instilled in millions of proletarians of many countries the courage and strength to also speak the "Russian way" with their ruling classes.

The news of the victory lent wings to the struggle of the nationally and colonially oppressed peoples. It even penetrated the walls of capitalist prisons and filled the incarcerated strugglers with new hope.

Karl Liebknecht, at that time in strict solitary confinement, immediately recognized the historic dimension of the October revolution. He wrote that the "tremendous process of the social and economic revolution of Russia...is offering unlimited opportunities" much greater than those of the Great French Revolution. (Footnote 2) (Karl Liebknecht: Messages, letters and notes from the prison of Luckau. In "Collected Speeches and Writings," Vol 9, Berlin 1982, p 371) Firmly convinced of its kindling effect, he soon afterwards appealed to the German worker's class for solidarity with Soviet Russia "so that, as a paragon and pioneer of the Proletariat of the other countries, it can pave the road for the social world revolution." (Footnote 3) (Ibid, p 503)

This principled attitude toward the October Revolution, to the first socialist state in the world, runs as an uninterrupted traditional line through all generations of the revolutionary German workers' movement. Even today, we are heeding Ernst Thaelmann's suggestion that "the attitude toward the proletarian dictatorship in the Soviet Union" is "that decisive question for the international workers' movement" which parts the minds. (Footnote 4) (Ernst Thaelmann; From a discussion speech at the 7th Session of the enlarged EEKI [expansion not given] 11 December 1926, in "Ernst Thaelmann: About Proletarian Internationalism, Speeches and Articles" Leipzig, 1977, p 54)

It is the eternal legacy of the KPD and its leaders like Karl Liebknecht, Rosa Luxemburg, Ernst Thaelmann, Wilhelm Pieck, Walter Ulbricht, and many others to have made known among out people the knowledge of the world-changing mission of the October Revolution, its fundamental experiences, and the idea of the friendship with the country of Lenin and its party.

#### Close Fraternal Militant Community Has Stood the Test

The close militant community of the revolutionary German workers and their class borthers in the Soviet Union has stood the test in the support of the young state power, in the struggle against Hitler fascism, in the comprehensive aid for the first worker-peasant power on German soil, in the firm alliance that has developed between our peoples after 1945. The friendship between our countries has been, and for ever remains, as Wilhelm Pieck said as first GDR head of state, a "decisive principle of the state policy" (Footnote 5) (Wilhelm Pieck, from the manuscript of an address on Moscow radio on 4 November 1957 on the 40th GOSR anniversary. In "Wilhelm Pieck, an Untiring Struggler for the German-Soviet Friendship," Berlin 1977, p 155) of our country.

This principle has always proved a safe foundation of our successful path. This was once again confirmed by Comrade Erich Honecker, SED Central Committee general secretary and GDR State Council chairman, on the occasion of the 35th jubilee of the GDR. "In good and bad days, the fraternal militant community, the deep community and universal cooperation of the SED, and the CPSU, of the GDR and the USSR have stood the test--in building socialism, in protecting it, in the struggle to secure peace. This will also be the case in the future." (Footnote 5) (Erich Honecker, in the GDR progress and peace, international understanding and solidarity have found forever a safe home country. NEUES DEUTSCHLAND of 8 October 1984, p 3)

The path of our socialist state proves: He who struggles at the side of the Soviet Union belongs to the victors of history! This fills us with pride, but at the same time it is a high commitment for us!

The development of the GDR as a socialist state is the legal result and the crowning of the struggle of the German workers class and the progressive forces allied with it. Here the social changes that started with the October Revolution in 1917 are documented. The liberation from fascism also created for the GDR people the prerequisites to help these legalities to break through and to build a socialist peace state on German soil, under the leadership of the united workers class and its Marxist-Leninist party, a state that is always a loyal ally of the Soviet Union in the community of socialist states.

No power in the world can divert us from this tested course, from firm friendship with the country and party of Lenin. (Prolonged, strong applause)

Door Opened to a New Epoch

Dear friends and comrades,

With the advance of socialism, the growth of the international communist and workers movement, and the national liberation movement of all forces of peace and progress it is becoming obvious to a more and more convincing degree how inseparably the fate of all mankind is linked with Red October.

The GOSR has opened the door to a new epoch in the history of mankind. It has introduced the biggest change in world history, the epoch of the revolutionary renewal of the world. The appreciation made by Marx, Engels and Lenin in their social analysis has been confirmed. There is a scientifically founded, real alternative to the capitalist exploitation order. The exploitation of man by man is being legally eliminated by the revolutionary struggle of the workers class and its allies.

Thus, as Friedrich Engels predicted, mankind passed from "the realm of necessity into the realm of freedom" through "its own free action." (Footnote 7) (Friedrich Engels, Mr Eugen Duehring's Change of Science. In: "Marx-Engels-Works," Vol 20, p.264)

The GOSR threw off the yoke of a social order that had lasted for thousands of years and that is characterized by suppression and exploitation of man by man, by social insecurity and national suppression, by crisis and war, by need and misery. With the October Revolution, imperialism entered the general crisis that for 67 years now has shaken all imperialist states to the core.

The 67 years since the historic victory of the workers and peasants of Russia demonstrate to the whole world that real socialism is the humanism of our epoch.

Socialism which has become established on four continents, and today has the main influence on social development, has become a worldwide system. From the small group of proletarian revolutionaries and internationalists that at the time of the development of the Communist Manifesto rallied around Marx and Engels 136 years ago, from the revolutionary strugglers who were at the side of the Bolsheviki in 1917 and together with them founded the Communist International in 1919, the communist world movement developed as the most influential political power of our time.

An Enormous Arsenal of Historic Experiences

The socialist development of the peoples of Russia formerly subjugated by tsarism finally gave courage and confidence to the peoples in the colonially suppressed and exploited countries and brought down the imperialist colonial system. The victory of the October Revolution--that was a triumph of the teachings of Marx, Engels and Lenin, that was a victory of scientific socialism over opportunism and over all bourgeois social theories.

The October days 67 years ago impressively confirmed Lenin's teachings on imperialism as a parasitic, rotting, dying capitalism and on the possibility of the victory of socialism in a country.

Thus, the revolution of October 1917 was not only the biggest deed of revolutionary practice, it was also the most comprehensive scientific achievement to date in the history of mankind. All peoples that have taken the path into a new world, a world of peace, democracy and socialism, and are still taking it, have been able and are able at any time to rely on the enormous arsenal of historic experiences and the fraternal assistance of the Soviet Union and the community of socialist states.

The experiences of Red October and the socialist construction in the Soviet Union are of fundamental and universal significance for the revolutionary path from capitalism to socialism. The October Revolution was and is the first victorious proletarian revolution in our world.

Thus, the USSR communists, the entire Soviet people performed a great pioneering task, as they were the first ones to embark upon a new, still unknown path. Therefore, the experiences of the CPSU and the Soviet Union are forever an indispensable help in building the socialist society.

Lenin predicted in an ingenious way that the October Revolution and the building of socialism in the Soviet Union "...shows all countries something, and something very essential, of their inevitable and near future." (Footnote 8) (V. I. Lenin, "The Leftist Radicalism," the Childhood Disease in Communism. In: "Works" Vol 31, p 6] At the same time, Lenin referred to the fact that all nations will make their own contribution to the experiences of socialism.

These findings of Lenin have been impressively confirmed in the Soviet state in which the various nations form a fraternal family, and in the other socialist countries of our world.

The experiences of the Leninist party in the struggle for political power and in the revolutionary reshaping of the society enrich Marxism-Leninism. Their creative application is and will remain an essential feature of the strategy and tactics of the revolutionary parties of the workers class. Marxism-Leninism has proved its correctness as a theory and as a method of the proletarian revolution and the building of socialism in various continents. Thanks to the successful development of the Soviet Union and the entire socialist community socialism has become the firm basis and the guarantee of human civilization on our globe.

#### Imperialism Cannot Stop History

Since the victory of the October Revolution imperialism has for the first time lost its dominating world political position--and that forever. It does not want to accept that!

It is in line with the aggressive character of imperialism that since then it has been mobilizing all its military, political, ideological and economic

potentials to roll back socialism. It accepts any means for that, in order to restore its world-encompassing rule of exploitation. The aggressive character of imperialism has been directed and is directed above all against the main force of social progress of our epoch--against real socialism.

But history has demonstrated that imperialism has not succeeded in smashing socialism, when the Soviet power was still young, when innumerable foreign intervenors and white guards tried to overthrow the political power of the workers class.

In 1941 German imperialism and its allies did not succeed in destroying the Soviet Union. Not socialism was ended, but fascist Germany was destructively defeated.

The Soviet power--real socialism--is invincible, because here the people have the power, because in it the future of mankind is manifested, because socialism enjoys the sympathy and solidarity of the peoples throughout the world, because socialism has strong bastions.

At the threshold to the 21st century a historic fact becomes more and more obvious: Real socialism has become the strongest driving force of social progress in the world.

The GDR has been successfully following the path of social progress for 35 years. It is following this path at the side of and in deep friendship with the country of Lenin. This is how it has been, is, and will remain forever! (Strong applause)

A Straight Road Leads from Lenin's Decree to the Peace Initiatives of the Present

Dear friends and comrades,

It was with the October Revolution that there also began a new era of human history in the struggle for peace. The young Soviet state entered the international arena with the "decree on peace."

For the first time, a state which was really supported by the entire people endorsed with this decree the peace interests of the peoples.

Thus, for the first time in the history of mankind a country upheld the people's yearning for peace, in a country in which there are no classes or state which profit from war.

Thus, for the first time a state was struggling for peace within whose borders the political and economic roots of wars had been objectively eradicated and in which the most elemental right of people, the right to live in peace, is placed on a realistic basis.

A long way leads from Lenin's appeal: "To all, to all..." up to the most recent USSR proposals for securing and preserving peace. The struggle for peace and

the assertion of the principles of peaceful coexistence of states with different social systems have marked Soviet politics from the very first day, and they are an outstanding characteristic of the entire Soviet history.

Peace policy has become a state doctrine for the worker-peasant power in Russia. "Now the struggle for peace has begun," Vladimir Ilich Lenin stressed in November 1917 and added: "this is a difficult struggle. Whoever believed that peace can be achieved easily, that all one has to do is to drop a few words about peace to make the bourgeoisie present it to us on a platter, must be a very naive person. (Footnote 9) (V. I. Lenin, speech at the first all-Russian congress of the naval fleet on 22 November 1917 (5 December ) 1917 in "Works" Vol 26, Berlin 1980, p 341).

How right Lenin was and how topical his words are in view of the confrontational course of the most aggressive circles of the United States and NATO!

It is with good reason that we can state today" [sentenced as received]. If mankind has been spared a new world conflagration for almost four decades now, this must first and foremost be thanks to the Soviet Union, to the strengthening of real socialism, to the powerful actions of the peace forces!

It was Lenin who pointed out that peace does not come as a present to peoples but that it is the outcome of a stubborn struggle against imperialism which is producing wars and profiting from them.

It was Lenin who pointed out that the struggle for peace does not only require ideal but also safe material foundations for being successful.

And it was the Soviet Union which in this entirely Leninist spirit led the way for the peace-loving peoples in the building of socialism through its stubborn and constructive peace policy and its strengthening of the socialist power of defense. It thus created the decisive material prerequisites for effectively curbing the imperialist war adventurers and for asserting the breakthrough to the peaceful coexistence of states with different social systems.

There Will be no Change in the Balance of Powers

In the peoples' struggle for preserving and securing peace it is of a special historical significance that the Soviet Union and its allies have succeeded in achieving an approximate military-strategic equilibrium with the United States and NATO.

As a result of the confrontational and arms drive policy, as well as of the aspirations to military superiority of the most aggressive quarters of imperialism, particularly of the United States, peace is more seriously threatened today than ever in the past 40 years. Never has the danger of a world conflagration been as great as in our nuclear age.

The stationing of new nuclear U.S. first-strike weapons, of the Pershing II and cruise missiles in Western Europe further enhances the danger to peace.

With this the most aggressive circles of the United States and NATO want to change the military strategic balance of power between socialism and imperialism in their favor. The socialist states will never permit this. This is why they have adopted appropriate countermeasures.

The deployment of first-strike weapons in Europe must be stopped, the missile systems already installed must be dismantled and, thus, a situation must be created like that which existed before the stationing. Then the road to fruitful negotiations will also be open. Then it will be possible to reverse the countermeasures initiated by the socialist states.

There can be nothing more important for the peoples on the earth now than to put spokes in the wheels of the warmongers, to protect and preserve peace and to avert a nuclear inferno from mankind.

Dear friends and comrades,

In this grave international situation the call "To all, to all," once more resounds from the Soviet Union, and the Soviet Union again places negotiating proposals on the table, and together with its allies offers a constructive peace program.

In the Prague and Moscow declarations far-reaching steps for ensuring and preserving peace have been proposed which have elicited worldwide approval. This also applies to the proposals contained in the speeches given by Konstantin Chernenko, general secretary of the CPSU Central Committee and chairman of the Presidium of the USSR Supreme Soviet, at the festive session in Moscow on the occasion of the 50th anniversary of the first Writers Congress of the Soviet Union.

The talks which Comrade Erich Honecker conducted with Comrade Konstantin Chernenko this June and with Comrade Gromyko during the festivities on the 35th anniversary of the founding of the GDR were distinguished by full agreement between our parties and states.

We fully support the statements made by Comrade Chernenko in his interview with the WASHINGTON POST.

Numerous proposals which most profoundly agree with the vital interests of mankind are now on the table. Nobody can ignore them because no people, no state is threatened by them.

These comprise:

- the renunciation of the first use of nuclear weapons,
- the conclusion of a treaty on the renunciation of the use of military force and on the maintenance of peaceful relations,
- the establishment of a zone in Central Europe which is free from battlefield weapons,

--the establishment of nuclear-free zones in Northern Europe and in the Balkans,  
--the liberation of Europe from nuclear arms,  
--the non-increase or reduction of defense budgets,  
--the banning of chemical weapons, and  
--the prevention of a militarization of space.

Who loses anything through such proposals?

The peoples can only benefit!

The peoples will not let themselves be deceived

Today, those forces which are making their stake on arms drive and military superiority must take into account the peoples' yearning for peace. This is why these imperialist circles are striving to disguise their policy and to deceive people. While on the one hand there is vociferous talk about peace, on the other the arms spiral is augmented and hundreds of billions of dollars are spent on armaments.

But more weapons do not produce more security. Common sense requires the ensuring of a military equilibrium at the lowest possible level. In addition to realism, honest negotiations and mutual confidence are required for this. The peoples will be vigilant!

Dear friends and comrades,

In the light of the Red October we are proud of having created a socialist state on German soil 35 years ago, a state which is the first one in history to deserve being called a state of peace.

Being located at the juncture between socialism and imperialism, and in direct confrontation with the FRG--the strongest imperialist power in Europe and the main military ally of the United States--with a power whose reactionary and revanchist forces have left nothing untried in the past 35 years to harm our country, the GDR has developed into a bulwark of peace and socialism at the heart of Europe, in the community of the socialist countries.

In his speech on the 35th anniversary of the founding of the GDR, Comrade Erich Honecker spoke about the foreign policy activities of the GDR and he explained that there exists no acceptable alternative to the policy of peaceful coexistence.

It is only in the past few days that the visit by Comrade Erich Honecker to Finland and the visit by the chancellor of the Republic of Austria, Dr Fred Sinowatz, to our republic have once more vowed [to] states with different social systems can constructively cooperate, even at the present time.

Our state, Erich Honecker pointed out, will do everything possible to preserve peace and to lastingly secure it. Political dialogue is of no little significance for this.

The GDR will also in the future focus all its strength on seeing to it that never again will war emanate from German soil.

#### Active Work of the GDR as an Internationally Respected State

We do not ignore the fact that the deployment of new American first-strike weapons in the FRG encourages the revanchists and the ultrareactionaries and has made them more active. They loudly propagates the continued existence of the "German Reich in the borders of 1937" and maintain revanchist claims to areas of Poland, the CSSR and the USSR. This is in no way in line with the European treaty system which the FRG government approved and from which it is not released.

Whoever west of the Elbe today speaks of the "open German question" completely forgets that as a result of the postwar development two completely different states have developed on German soil, that the socialist GDR is a whole epoch ahead of the imperialist FRG in the social development.

History has had its word on that subject. This is last but not least proved by the 35-year old development of the GDR.

As a politically stable, economically efficient, culturally highly developed and internationally respected state the GDR actively works for preserving and securing world peace.

Millions of citizens from all classes and strata of our people feel more and more that our policy aimed at the well-being of the people, the struggle for peace, and the contribution of any individual citizen to the universal strengthening of socialism form an inseparable unity. Successes in the struggle to secure peace and in the further implementation of our course of the unity of economic and social policy directly depend on the universal strengthening of socialism, above all on its economic performance capacity.

In the GDR, peace policy is being implemented in all social fields--in production just as in educational institutions, in cultural institutions, administrations and political organizations and in the armed organs.

The GDR peace policy has strengthened the international positions of our country as a socialist peace state. Its highest representative, our Comrade Erich Honecker, has a very big share in this worldwide respected policy of our state. (Prolonged, strong applause) His name and his high personal work stand for the reliability, the constructive character and the predictability of the GDR peace policy.

Dear friends and comrades,

What was once belittled as communist dreaming and fantasies by people of all kinds has in the meantime become Soviet reality. Today the USSR is an international economic power of first rank.

Tsarist Russia was hardly found in the first ranks in international economic statistics, unless they were concerning the number of those hungry and without rights, but today the Soviet Union takes first place in the world in many fields such as the production of oil, the mining of coal and iron ore, and the production of steel, mineral fertilizers and cement.

Every fifth ton of steel in the world last year came from smelting furnaces of the USSR, every sixth kilowatt hour of electrical energy is produced in Soviet power plants.

#### Impressive Achievements of the Soviet Citizens

The Soviet Union has a modern highly developed industry and a powerful intellectual and material-technological potential. In the USSR, there are 1.4 million scientists at work. Every fourth scientist in the world is thus working in the country of the Red October. In the exploration of space for peaceful purposes the Soviet Union is at the top.

Growing production and productivity have decisively contributed to constantly improving the working and living conditions of the Soviet citizens. Thus, in 1983 alone over 2 million apartments were newly built by the construction workers of the USSR. This means more apartments were built than in the same period in the United States, France, Great Britain and the FRG together.

What achievements the Soviet people can make is demonstrated by the construction of the Baikal-Armu-Railroad [magistrale] that was completed at the beginning of October this year ahead of schedule. The laying of these rails over 3,100 kilometers is the result of truly heroic and creative work on which we most cordially congratulate our Soviet friends, the Soviet youth. (Strong applause)

This enormous railroad was set up under extremely complicated climatic and geologic conditions. Over half of the route was through zones with a high danger of earthquakes and permanently frozen soils. Powerful mountain massives, wide swamps and a great number of rivers had to be overcome. The "second Transiberian Railway," in which young construction workers and students from the GDR participated, opens up the way to new raw material sources and energy sources in the north of Siberia and the Far East.

All is well known, the development of the capitalist industrial countries occurred as a result of the brutal exploitation of the material and intellectual resources of the colonies and semi-colonies. This imperialist colonial system constituted a decisive basis for the development of capitalist industrial countries. Even today the imperialist states, primarily in the form of the multinational concerns, are squeezing the developing countries. Regardless whether they are used as raw material sources or a reservoir of cheap labor, as spheres of influence for exports of capital or as markets for their products--imperialism is always concerned about maximum profits.

The Soviet Union has created its national economy by its own efforts--against the stubborn resistance of the imperialist forces which from the very first day tried with all the means at their disposal to prevent the irresistible upsurge of the Soviet power.

The results of the Soviet national economy prove impressively: The socialist production relations have given wide scope to the dynamic development of the modern productive forces in the shortest possible time in history. Through the creation of a most modern national economy, with the flourishing of science, education and culture the Soviet people have accomplished truly exemplary achievements. These guarantee a constantly growing prosperity of the people and at the same time also serve the progress of mankind. Many countries of the earth, including the GDR, are benefiting from this tremendous current of selfless assistance and solidarity from the Soviet Union.

#### Consistently on the Intensification Path

In view of the tsarist heritage and the devastating consequences of the murderous predatory campaigns organized by imperialism, the achievements of the Soviet people led by the Communist Party can hardly be overrated. We are rejoicing together with them at these successes and are proud of having such friends. (Strong applause)

But the communists, the labor collectives in the enterprises, collective farms and USSR institutes do not content themselves with the past achievements. Concrete evidence of this is the recent CPSU plenum at which the further intensification of agriculture was discussed.

Initiated by the Central Committee of the glorious CPSU, the pace in boosting production and labor productivity is being further enhanced in all branches. The road to intensification is being increasingly embarked upon in all fields with great consistency. In preparation for the 27th CPSU congress, as Comrade Chernenko underscored in his speech at the October plenum, the party focuses attention on the further accelerated development of the social production and the maximum exploitation of the intensive growth factors. Extensive programs are being embarked upon under party leadership to this end and are being implemented for the well-being of the citizens.

He who has eyes to see sees: The development prospects of the Soviet Union are grandiose indeed!

The GDR people are forever fraternally linked with that country. We shall guard and strengthen this indestructible fraternal alliance like the apple of our eye in the future too. (Strong applause)

These close political, economic, scientific-technical and cultural relations have substantially contributed to the solid and stable basis on which our socialist fatherland stands today. Loyal to the principles of proletarian internationalism, of friendship and mutual support we will do everything within our power to even more tighten this comprehensive tie and to bring the peoples of the two countries even closer together. The communist togetherness of the GDR and the USSR in all fields of the national economy is oriented toward the coming millenium.

## CEMA Summit of Great Importance

Dear friends and comrades, the CEMA economic summit in Moscow in June this year was of great, even historic importance for the further development of the socialist community and the continuation of its peace offensive. CEMA, which like our republic was founded 35 years ago and of which the GDR has been a member since then, proves to be the most dynamic economic region of our time, to be a power that decisively contributes to the economic progress of mankind, to the securing of peace and to the development of cooperation among the peoples.

In their documents adopted at the Moscow economic meetings the CEMA member countries submit concrete peace proposals. They are in favor of establishing useful relations among all countries on the basis of mutual advantage and non-interference. The main directions adopted for the further development and the deepening of the economic and scientific-technological cooperation of the CEMA countries proceed from the fact that their economic strength is the material basis of the policy of peace, international detente, and the mutually advantageous cooperation with other states.

The economic and scientific-technological potential of the CEMA member countries has further increased. Recently this was again demonstrated by the 39th CEMA council meeting in Havana that for the first time took place on the American continent.

The countries of socialism successfully react to the challenges of the eighties. Our enemies are mistaken if they hope to blackmail the socialist countries with intensive armament or embargo policy, financial or technology boycott. This policy has failed in the past and it will not be successful in the future, either. As the experiences teach, such steps only contribute to increasing the efforts within the socialist community and to solving upcoming tasks with [word indistinct] and creativity more swiftly, from one's own strength.

The Moscow meeting once again confirmed that the countries of CEMA can solve any scientific-technological and economic problem through joint efforts, increase the material and cultural living standard of their peoples, and guarantee the defense strength of our community on the necessary level.

The economic relations among the CEMA countries have been marked by the spirit of socialist internationalism from the very beginning.

When in 1949 the first 1,000 Soviet tractors came into our country the greetings of the Soviet tractor builders: "For Peace and Everlasting Friendship" were written in big letters on the sideboards of the wagons.

## Clear Prospects for Our Long-term Cooperation

Since that time the trade relations between the GDR and the USSR have continuously developed. In the past 35 years the mutual exchange of goods increased 47 times. The USSR is the biggest foreign trade partner of the GDR. As a result of the socialist economic integration the USSR covers a significant share of the import demand of our national economy for raw materials and fuels like oil, natural gas, iron ore, rolled steel and cotton.

For years the GDR has also taken first place in the USSR's foreign trade due to its increasing economic strength. Nearly one fifth of the overall imports of the USSR of machines and equipment have the brand of our country. Particularly high is the share of the GDR deliveries for such products as machine tools, equipment for the oil-processing industry, machines and equipment for the printing industry, for agriculture and for refrigerating technology and air-conditioning.

Products of light industry and the chemical industry also take an important place in the GDR's exports to the USSR.

The cooperation between our two countries agreed on a long-term basis offers the combines, enterprises and scientific-institutions of the GDR clear prospects and a safe market.

On 6 October this year Comrade Erich Honecker, SED Central Committee general secretary and GDR State Council chairman, and Comrade Andrey Gromyko, CPSU Central Committee Politburo member, first deputy chairman of the Council of Ministers, and USSR minister of foreign affairs, signed a long-term program on cooperation between the GDR and USSR in the field of science, technology and production through to the year 2000. Thus, in implementation of the decisions of the 10th SED Congress and the 26th CPSU Congress, a new phase of universal cooperation and interpenetration of the national economies of the two countries was introduced. This program reaches far into the future. Its implementation will contribute to making the fraternal alliance between the GDR and the USSR even closer and to accelerating the intensification of production in the interest of strengthening socialism and increasing the welfare of our peoples.

#### Economic Strategy of the Party Bears Rich Fruit

Dear friends and comrades, Comrade Erich Honecker, SED Central Committee general secretary and GDR State Council chairman, presented in his festive address on the 35th anniversary of the GDR the outstanding achievements of the universal development of our socialist state. Under the leadership of the SED, thanks to the great achievements of the workers, cooperative peasants, scientists, and all working people, good prerequisites were created to make the year 1984 the most successful to date in the history of our country and to continue purposefully the course of the main task in its unity of economic and social policy.

"Also on German soil there was a demonstration," Comrade Erich Honecker stated, "of how creatively a people can work which forms and constantly improves its life without the exploitation of man by man, to its own benefit. This is convincingly demonstrated in the present in which we continue to further shape the developed socialist society in accordance with the decisions of the 10th SED Congress and, in doing so, have to solve tasks that, in terms of demands, are in no way inferior to those in all phases of the path so far, and often even surpass them." (Footnote 10) (Erich Honecker, In the GDR Progress and Peace, International Understanding and Solidarity Have Found a Safe Home. In: NEUES DEUTSCHLAND of 8 October 1984, p 3)

Today we can note that the dynamic development in all fields of our national economy has been successfully continued even after the 35th anniversary of the GDR.

By end of October in the produced national income a growth of 5.3 percent was achieved. Net production in the field of the industrial ministries increased by 8.4 percent; labor productivity by 7.6 percent. Industry surpassed planned industrial goods production by M3.7 billion. Concerning consumer goods production, we achieved a considerable increase of 5.5 percent.

The cooperative peasants and workers in agriculture also made outstanding achievements. Thus, in 1984 the gross turnover in plant production per hectare of agricultural land increased by 13.1 percent compared to the past year, according to assessments made so far; the grain yield increased by 13.4 percent. In animal production, up to end of October 1984, 8.9 percent more slaughter animals and 6.3 percent more milk was made available than in the same period of 1983, and the plan was overfulfilled in all positions [positionen].

In 1984, by end of October, 171,851 apartments were built or modernized in our republic.

In all fields of social life it is becoming obvious that we are successfully mastering the path outlined at the 10th Congress and are implementing the high goals set in its decisions. The economic strategy it adopted, and above all its orientation toward the comprehensive intensification, the reduction of the production consumption and the consistent implementation of the scientific-technological progress, is very fruitful.

The impressive progress of our national economy allows us to consistently continue the course of the main task in its unity of economic and social policy to the benefit of the people. This policy has deeply permeated our people's minds. They know that the decisions for the advance of socialism and thus for the securing of peace are, above all, in the field of economy. In daily life for every individual citizen the connection between growing productivity and improvement of the working and living conditions can be felt more and more clearly.

This is a powerful impulse for the development of the creativity of the workers, the cooperative peasants, the scientists, all working people of our country, a strong driving force in the socialist competition, in the striving for high performances to universally strengthen the GDR.

The successful development of the GDR as a politically stable socialist state with high economic dynamics and a continued performance increase is inseparably linked to the improvement of the socialist democracy. Under the leadership of the workers class and its Marxist-Leninist party, the working people are increasing their democratic activity, are making their contribution to the prospering of the socialist home country. In our construction work the close comradely cooperation in the National Front, between the SED and the other parties, the Christian Democratic Union, the Democratic Peasant Party of Germany, the Liberal Democratic Party of Germany, and the National Democratic Party of Germany,

has proven and is proving successful, the initiatives of the mass organizations are a comprehensive and inexhaustible source of strength for the further prospering of our country.

Dear friends and comrades: The ties linking the people of the GDR with Soviet people are manifold and indestructible. The relations between party, trade union and work collectives and the youth of our countries, between Bezirks, oblasts and Soviet republics, between enterprises and kolkhozes, scientific and cultural institutions, schools, sport communities are close and cordial. A large number of tourists visit the two countries every year. These relations--based on the innumerable personal friendships between citizens of both states--include all social fields.

#### Communists of the GDR and USSR Firmly Allied

This is also demonstrated by the GDR cultural days in the Soviet Union that took place last month. Renowned ensembles and Soloists, like the Dresden state opera, the Maksim Gorkiy theater of Berlin, the radio symphony orchestra of Berlin, presented themselves to the Soviet audience.

The humanistic ideals reflected in the teachings of Marx, Engels and Lenin, which have become reality with the Red October, have also become social practice in the GDR that can be experienced by every citizen.

Also in the future we will further strengthen the inseparable alliance between the GDR and USSR. The close militant community between the SED and the CPSU. (Strong applause)

In preparation for the 40th anniversary of the victory over German fascism, we will, together with the citizens of the Soviet Union and the other socialist states, increase our joint efforts to strengthen the ranks of the communist workers movement, to consolidate socialism, and to preserve and secure peace. (Prolonged applause)

Long live the 67th GOSR anniversary!

Long live socialism and peace! (Stormy, prolonged applause)

CSO: 2300/110

MORALE, PSYCHOLOGICAL FACTORS HELD ESSENTIAL FOR WARFARE

East Berlin VOLKSARMEE in German No 29, 1984 (signed to press 16 Jul 84) p 3

[Book review by Maj Gen Raimund Kokott of "Man in Modern Warfare," by Soviet authors Col Gen Sredin, Lt Gen Prof Dr Volkogonov, and Maj Gen Prof Dr Korobeynikov]

[Text] Maj Gen Raimund Kokott discusses a new publication from the GDR's Military Publishing House on the political-moral and psychological preparation for combat.

Recently an interesting book was published by the GDR's Military Publishing House which presents substantial assistance for officers in their activity. It is a translation from the Russian entitled "Man in Modern Warfare" and was written by the internationally acclaimed Soviet authors Col Gen Sredin, Lt Gen Prof Dr Volkogonov and Maj Gen Prof Dr Korobeynikov. This book is dedicated to the political-moral and psychological preparation of members of the Soviet army and navy for armed combat. It provides the most comprehensive theoretical and practical presentation on the problem to date.

From the development of military affairs in the past few years, in particular from the changes in armed combat, as a result of the military-technical revolution and from the inexorable class conflict between socialism and imperialism the authors derive the political-moral and psychological, the special ideological and physical demands on human beings which would be required in order to be equal to the hardships of a possible armed conflict to defend against imperialist aggressors.

The moral spirit, the political-moral state of the troops has extraordinary significance for their combat effectiveness. Viewed from this perspective the political-moral and psychological preparation of the members of the army for combat is simultaneously an essential element to fulfill the peacekeeping function of the socialist armed forces. Accordingly, it not only serves to win in a possible war, but also to prevent it. In the foreward there is this statement: "In no era has the moral spirit of the people and the army played such an active role for the solution of the problems of war and peace as today."

Knowing this is a requirement of the times for all superiors in socialist armed forces. The demands which are developed in the book are without a doubt also

fully applicable to the members of the National People's Army [NVA] and the Border Troops in the GDR.

#### Morale of the Troops of Decisive Importance

The Eighth Delegates Conference of the SED party organizations in the NVA and the Border Troops in the GDR posed the task of enhancing the combat strength and combat readiness of the troops in view of the dangerous military-political situation in the world which has been caused by the NATO countries and particularly the United States and, in the process, of perfecting primarily the further political-moral and psychological preparation of the members of the army and the border soldiers. From this point of view the book appears right at a favorable point in time in order to render assistance to commanders, political advisors, staff and training officers on all command echelons and military services as well as to the Border Troops in realizing this task.

The morale of the troops takes on decisive importance because of the relative balance in arms and combat equipment and because of the state of training of the modern armies of the military blocs which confront one another. In the book it is not only scientifically demonstrated that objectively all prerequisites for the moral superiority of a socialist army vis-a-vis every imperialist army are present, but also the ways are enumerated as to how this high moral spirit can be achieved. Using the most recent findings the nature, content, forms and methods of the political-moral and psychological preparation of members of the army for combat are exhaustively presented and the experiences are generalized which were gathered in education and training in this area under the conditions of the revolution in military affairs.

#### Theoretical Findings and Practical Experiences

In the book which contains 12 chapters the authors comment on all the principal questions of the political-moral and psychological preparation of the members of the army for armed combat. In this it is both a matter of methodological and philosophical bases, of principles and methods, as well as of the most important directions of this activity. Communist directedness, the unity of ideological impact and the maximum utilization of scientific findings in the process are presented as the most important principles. The great practical value of this work rests in the linking of theoretical findings with military practice. The book provides proof that political-moral and psychological preparation is not an independent branch of training, but rather must permeate the total military life and can be accomplished by all educators, the commanders, political advisors, party and youth organizations.

#### Adjust to the Most Extreme Strains

The development of the communist philosophy, the shaping of correct ideas of a possible war, the strengthening of the combat morale of military collectives, the educating to high-level discipline and heroic activity and the development of physical stability and physical stamina as the most essential directions in the preparation of the members of the army are illustrated primarily from the point of view of the activity of the officers in the units. The scientific hypothesis about the demands which modern warfare would place on man serves as

the point of departure for the creation of that political-moral and psychological condition of the individual soldier and the army. There is a thorough treatment of how the social and individual consciousness of the collectives and the soldiers can be adjusted to such almost unthinkable strains, how that will to fight and win is achieved which would be essential in any such uncompromising struggle against imperialist aggressors.

With consideration of the fact that the immediate ideological work is the most important side of the political-moral and psychological preparation the most attention is devoted to this process during the ready-alert system, combat service and combat training. A special chapter is devoted to political-moral and psychological preparation during army and naval exercises.

The authors continuously comment on the problems of the bourgeois ideology in this area. At the same time they analyze certain sides of ideological manipulation and of psychological preparation of the manpower of imperialist armies for warfare.

All in all this is a book which supplements to a significant degree in this sector the existing literature from the Military Publishing House in the GDR and belongs in the reference library of every officer.

12124

CSO: 2300/84

BOOK ON LOVE, SEX AMONG YOUNGER GENERATION REVIEWED

Oslo FRIHETEN in Norwegian 2 Oct 84 p 27

[Article by R. Boulton: "Exciting Sex Life in the German Democratic Republic"]

[Text] A new study, published by the German Democratic Republic, claims that young East Germans have a freer and more exciting sex life than their parents had because socialism has broken down the barriers and prejudices of the past.

"Love and Sex Before the Age of 30" is a frank book on the sexual habits of the younger generation. It discusses everything from the first love to problems in connection with homosexuality, impotence and prevention in the present communist East German state.

Early Debut

Sociologists Kurt Starke and Walter Friedrich, who have carried out the study, present a picture which is in sharp contrast to Western ideas on the East European country. They have interviewed over 5,000 young people, and one of the surprising results is that the average East German starts his active sex life long before young people in the Western countries.

Eighty percent of those asked state that they had their sexual debut before the age of 18, whereas corresponding studies in the West show that at the most 60 percent had their first sexual intercourse before the age of 18.

The development from the delight of the first encounter to sexual intercourse goes faster as well in the German Democratic Republic than among Western youth. East Germans are, on the average, 16.9 years old when they have their first sexual experience. The sexual habits of women have become more and more like those of men, and women now start their sex lives at approximately the same age as men.

Advantages for Women

It appears that the women have benefitted the most from the sexual revolution in the German Democratic Republic. It thus appears that 70 percent of East German women state that they nearly always have orgasm during a sexual intercourse, whereas the corresponding figure in West Germany is between 40 and 50 percent.

A similar study performed in the fifties showed that 26 percent of East German women stated that they nearly always had orgasm during intercourse. The figure of East German women who seldom or never experience full sexual satisfaction has also dropped drastically.

The birth control pill has contributed a lot to changing the attitude toward sex life. The socialist system of the country, however, would like to be credited with the sexual liberation.

The process of change in the erotic, sexual area depends upon the nature of the society. It is a reflection of the new situation of the people, of their objective possibilities of developing and bringing into full play their abilities in a socialist society, the authors write.

They also quote one of the classic theoreticians of communism, Friedrich Engels, who writes somewhere that a new moral criterion will arise for judging sexual conduct.

The book enumerates a number of social measures which have improved the position of women--improved their possibilities of employment, free access to means of contraception and a total of 200 offices providing marital counseling around the country.

#### Prejudices

The book deals with homosexuality in two chapters.

Starke and Friedrich admit that male homosexuals and lesbian women also encounter prejudices in the German Democratic Republic. People may prevent homosexuals from living together and may refuse to allow them to advertise for similarly disposed individuals in the papers. It also happens frequently that homosexuals encounter job discrimination.

Some homosexuals have launched a campaign against the discrimination and have arranged exhibitions and discussion evenings.

However, on the whole, homosexuals may meet freely in their own bars and clubs. Two homosexual artists were allowed to leave the country as a couple during the emigration wave to West Germany in the spring.

The study concludes that young East Germans in the eighties endeavor to find a fertile synthesis of spiritual love, sex and work productivity.

7262  
CSO: 3639/15

## MOKRZYSZCZAK ADDRESSES ROMANIAN WORKERS

AU231440 Warsaw TRYBUNA LUDU in Polish 21 Nov 84 p 7

[Text] PAP, Bucharest--PAP reporters Halina Mirska and Maciej Kuszewski report that the PZPR delegation attending the 13th RCP Congress visited the lathe and special machine factory in Bucharest on 20 November, accompanied by Wlodzimierz Mokrzyaszczak, PZPR Politburo candidate member and Central Committee secretary. The factory supplies Poland with grinding machines and lathes, among other things.

The delegation was also accompanied by Miu Dobrescu, member of the RCP Central Committee's Political Executive Committee and chairman of the party Control Commission.

The Polish delegation met with the factory management, as well as with its activists and work force. During the meeting, W. Mokrzyaszczak gave a speech, in which he expressed thanks for the warm and fraternal way in which the delegation had been received and recalled the close ties joining the PZPR and RCP and the peoples of the PPR and the Socialist Republic of Romania.

Speaking about the friendship between both peoples, W. Mokrzyaszczak recalled the common traditions of liberation struggles and national struggles, the aid given to Polish refugees in Romania in 1939, and the current comprehensive cooperation based on the treaty of friendship, cooperation, and mutual aid between the PPR and the Socialist Republic of Romania that was signed in 1949 and renewed in 1970.

W. Mokrzyaszczak stressed that the new paths of mutually favorable cooperation between our parties and peoples were opened up during the meetings between Wojciech Jaruzelski and Nicolae Ceausescu in Bucharest in 1982 and in Warsaw this year.

The achievements and development prospects that are being presented at the 13th RCP Congress fill one with optimism during the complicated international situation, and confirm the historic possibilities of the socialist system. W. Mokrzyaszczak also described the normalization in Poland.

Referring to the international situation, he recalled that Poland and Romania are in favor of further comprehensive cooperation between the socialist

countries as part of CEMA and the Warsaw Pact, especially today at a time when American nuclear missiles have been installed in some European countries. Secure and peaceful development is the basis of the Polish *raison d'etat*, W. Mokrzyaszczak stressed, and that is why we fully support the USSR's numerous concrete proposals aimed at halting the arms race, which is spreading to space, and preventing a nuclear cataclysm.

The PZPR and the RCP concur with each other that there is an urgent need in international relations to restore respect for existing borders, detente, and constructive cooperation. It is essential to return to the letter and spirit of detente as initiated by the CSCE process and by the successful conclusion of the Stockholm Conference on Confidence-building Measures and security and Disarmament in Europe.

Finally, W. Mokrzyaszczak conveyed to the participants in the meeting and to all Romanian communists on behalf of the PZPR delegation further success in socialist construction and in the struggle for victory by the cause of peace and friendship between nations.

CSO: 2600/209

POLAND

PROVINCIAL INTERIOR MINISTRY OFFICIALS SPEAK TO PRESS

Role of Security

Krakow GAZETA KRAKOWSKA in Polish 6-7 Oct 84 pp 1, 6

[Interview with Col Wieslaw Dzialowski, deputy chief of Provincial Office of Internal Affairs in Krakow by, Janusz Handerek; date and place not specified: "Forty Years of Service to the Nation, Party and Socialist Fatherland"]

[Text] [Question] Colonel, we are talking on the eve of the 40th anniversary of the Citizens' Militia (MO) and the Security Service (SB), just a number of hours before the observances during which the Krakow Provincial Office of Internal Affairs (POIA) is to be awarded the Grunwald Cross, Third Class, for, as the Council of State Resolution states, distinguished service in establishing the people's rule and ensuring order and security in the country. Both the anniversary and the observances relating to it naturally lead to historical reflections from which, I suggest, we begin our conversation.

[Answer] On 7 October 1944 the Polish Committee for National Liberation issued a decree which legally regulated the activities of the MO and SB offices which had already been organized on 22 July of that year. The new sociopolitical system arising on the liberated lands of our fatherland and the ensurance of order and calm required the dedicated work of specialized units to watch over the socialist transformations and those classes which took the fate of the country into their hands. It is no wonder, therefore, that from the very beginning of their existence the MO and SB had a strictly class character. It was precisely the members of the Polish Workers' Party (PPR), the leftist antifascist groups and soldiers of the Polish People's Army who from the very beginning formed the basic core of the MO and SB. Only those kind of people, faithful to class and patriotic ideals, could without regard to danger, difficulties and shortcomings struggle in defense of a new and just authority, an authority which in realizing its ideals will never permit a repetition of the September disaster. In Krakow, for example, officers of the People's Army assumed the leadership of the new MO and SB units. Lt Czeslaw Kurpias, pseudonym "Szary" [Gray], became the first commander of the provincial MO. The city commander was Lt Jozef Saturn, pseudonym "Bartek," and the chief of the Provincial State Police Office (PSPO) was Maj Wacław Sliwa, pseudonym "Imiolek."

[Question] For the generations of young Poles born after the war the period of 40 years ago is almost remote history. These are only more or less interesting events known to them from the stories of their elders, from books or films. These generations have not experienced these events, hence their remoteness from the stormy years of the 1940's, their lack of an emotional relationship...

[Answer] It is true that those emotions have already died out, but this does not mean that they have gone entirely into remote history, as you described it. After all, there are people living today who after the war lost those closest to them, people who died only because they were defending the socialist transformations. For many families that which we today call history is a painful reminder of their personal tragedies. Just when it seemed that after hitlerism had been crushed no more shots would be fired in our country, reactionary forces began an armed struggle, forces which did not want to reconcile themselves with the takeover of rule by the people, forces which did not want to voluntarily remove themselves from the stage of history. There were years of a hard and ruthless struggle for the victory of socialist ideals. A struggle which left a path of burned homes and villages, terror and brutality. Members of the Polish Workers' Party, progressive workers among the peasantry, soldiers of the Polish People's Army, officials of the MO and SB, and members of the Volunteer Reserve of the Citizens' Militia died from fratricidal bullets and very frequently were brutally tortured.

The tragedy of the immediate years after liberation was particularly bloody in the Krakow lands. The scale of the threat occurring at that time is attested to by dull statistics, if nothing else. During that period approximately 240 armed gangs and illegal organizations operated here. About 6,000 people took weapons in hand. In the ruthless fight which took place at that time almost 1,500 people were murdered. Among those who laid down their life in defense of the people's authority were 457 officials of the MO, SB and members of the Volunteer Reserve of the Citizens' Militia. Their sacrifice is memorialized by many markers and we honor their memory deeply. Therefore, if we return in memory to those immediate postwar years it is not in order to recall old conflicts and divisions but to give the new generations a realization of the enormous effort made by the officials of the internal affairs ministry in establishing socialism. It is in order to more widely disseminate the historical truth about the tragic results which can be brought about by the cynical exploitation of patriotic feelings, gullibility and emotions, by centers hostile to People's Poland, for political purposes which are in conflict with the interests of our country.

[Question] After your last statement we find ourselves in contemporary times. How different, it is true, from those of 40 years ago, but still not free from strains, from deep divisions. Not free from storms and dangerous upheavals...

[Answer] We have understood the importance of the social processes of 1980 in a way which today makes us fully support the process of renewal conducted in our party. However, everywhere where it was planned or attempted to bring about the fall of the socialist state, to weaken its defenses, to bring about anarchy in public life, the officials of the internal affairs ministry have with full determination and conviction taken action to defend the well-being of our nation and our socialist state.

At this point I would like to make an important comment. As functionaries of the Ministry of Internal Affairs we do not fight convictions and viewpoints, even if they are inimical to socialism. We oppose, and with full resoluteness will continue to oppose, specific organizing and propaganda activity, the defamation of the country. We oppose, and will continue to oppose, the deliberate violation of laws and actions which harm the fatherland. At the same time, we will differentiate the consummate political gamesters from people who accidentally or unwittingly are drawn into dangerous political machinations. Preventive activity, i.e., explanations, instructions and warnings against the results of actions, will continue to be an important, widely applied area of our work.

Since we are talking about the strains of the 1980's I believe one more fact is worth recalling. As we know, the enemy's attack, which was not selective in its methods and means, was concentrated on the party and our offices. Disturbances and street scuffles, inspired by the extremists in the enemies of socialism, required the commitment of our forces on many occasions. This period of hard test proved once more that our functionaries, who are now in the decided majority different than in the postwar generation, show similar qualities as their older colleagues: a dedication to the ideals of socialism, patriotism, fortitude and sacrifice. Inspiration from the political and administrative authorities, their appreciation of our work, helped and continues to help us in fulfilling the duties assigned to us. This climate, created in Krakow, and after all, not in our province alone, encourages and mobilizes our functionaries to still better work.

[Question] Every one of us who lives in Krakow and the province is always interested in the usual law and order, the feeling of security. And although it is difficult not to agree with the statement that in our country, compared to many Western states, we live in greater safety and calm, still on the other hand public opinion expresses anxiety about various manifestations of crime. We would also like, and of course this is natural, for everyone guilty of breaking the law to be detected and then punished.

[Answer] We, too, would like to achieve this optimal degree of detection of criminals. But I must say immediately that no police force in the world is able to achieve such results. In our country the level of detection is high, and in the Krakow Province it is about 75 percent. From this standpoint we do not deviate from comparisons with the large urban centers of the country. Krakow, I can say with full authority, is a safe city, although of course it is not free from crime.

But sometimes we meet with justifiable comments directed at us concerning the not always effective actions of the militia in fighting crime. We receive them with complete seriousness and take them into consideration in doing our work. We are interested in the active cooperation of the residents of our province with our offices, since we know that without the help of everyone for whom order and security are important our efforts will not be sufficient. Every report, every comment from a citizen, is nothing more, after all, than resistance to callousness. It is the understanding that public interest demands the activeness of everyone. The increase in society's cooperation in combating all kinds of signs of evil and social pathology is another proof of gradual stabilization in our country.

The recent years, as we know, caused a relaxation of public discipline and a growth in certain categories of crimes. For example, robberies, break-ins into public and private buildings, and hooliganism continue to be a problem. It is also a disturbing fact that most criminal and traffic violations are committed while under the influence of alcohol. But the problem of combating alcoholism is complex and requires multifaceted action, and not just on the part of the militia.

When we speak of cooperation from society we are counting on the activity of the Housing Community Committees and the Residents' Self-Governments. The neighborhood militia men, whose proper standing we want to restore, will cooperate with them. It is simply a matter of the militia man being closer to the citizen so that he can assist him at any time.

[Question] The adult society is also disturbed about the expansion of the so-called "fringe" group of youth, the appearance of a youth subculture, which, too often, is linked to the commission of first small and then much larger crimes.

[Answer] Juvenile crime is disturbing, and rightly so, particularly since we see a disturbing growth in this crime. The militia finds itself face-to-face with the effects of mistakes in upbringing, committed primarily in the home, but also in the school. After all, a young person does not suddenly and totally unexpectedly commit a criminal act. First there are ostensibly trivial offenses, first there is too much tolerance on the part of the parents, lack of skill in perceiving symptoms revealing the gradual depravation of a girl or a boy. At the end of this chain is the crime, and when it finally comes, along with it comes the militia. It is unfortunate that we must concern ourselves with minors who break the law. That is why particularly in the case of youth, but of course not just with youth alone, we look upon every case where we have been able to prevent a crime as a success, and not the fact that we arrested someone and as a result of the investigation conducted were able to gather the necessary evidence.

[Question] But we sometimes read press reports beginning with the words: "The militia completed its investigation successfully..."

[Answer] We are talking about two different things. About a success which is, first of all, the prevention of crime due to preventive activity, and professional satisfaction which is the result of completing an investigation in a specific case and arresting the culprit. Investigations are often very arduous, involve many people, require hard work and sacrifice, countless hours of work, and giving priority to official matters over personal matters. The everyday work of the militia is not as is shown in mystery stories or films. Today's employee in the internal affairs ministry is not a detective operating alone, but a specialist working among a group of colleagues who are equally well-prepared to perform difficult duties. We attach a great deal of importance to the professional training and education of our officials, as well as to the ever increasingly higher level of this work. Today in the Krakow Province almost 25 percent of the POIA employees have a higher education, which includes all of the offers, and another 50 percent have a secondary education.

[Question] Until recently such cases as, for example, "speculation" appeared very rarely in the work of the militia. But along came the crisis and along with it occurrences which, it seemed, belonged to the past. The militia thus faced a new task, the performance of which is worth discussing briefly.

[Answer] Offenses relating to the economic crisis vary greatly. For example, speculation, that is, illegal enrichment of oneself at the expense of all of the hardworking people. In addition to the law-and-order operations being conducted for some time on a nationwide scale, aimed at combating hooliganism, stamping out vandalism, detecting the culprits of burglaries, robberies and embezzlement, we have undertaken a number of measures directed against those who, taking advantage of the economic difficulties, attempt to enrich themselves at all cost, most often at the expense of the honestly laboring citizen.

We are equally actively fighting speculation and foreign-exchange crime. The party and the government are taking various types of action in this regard and we know that the full implementation of these actions is possible under conditions of peace, security and order. The Council of Ministers' Committee on the Observance of Law, Public Order and Social Discipline, as you know, defined tasks aimed at improving social discipline. The POIA in Krakow is consistently accomplishing these tasks. We have achieved significant results because, among other things, the measures we took met with the support of the public, which helped us greatly. There can be no toleration for violation of the law. We are acting in the interests of all of society. We have always served it and will continue to do so.

[Question] You spoke of the law-abidingness of MO and SB operations, about their service role, about their opposition to lawlessness. Does this definitely apply also to your functionaries who violate the law?

[Answer] If there are such cases we prosecute them with full severity. A violation, even if just of regulations, entails severe penalties and disciplinary sanctions. If a law is broken, normal court procedures are applied. Those who do not give a guarantee of proper performance of official duties are dismissed. We make a maximum effort to shape correct attitudes in our functionaries, among whom are many young people. This is an important task of the political-upbringing section. The party organization and youth organization help us a great deal in accomplishing this task. Every employee in the internal affairs ministry strives to earn the "In the Nation's Service" decoration, so highly prized by us. I believe that the name of this decoration best reflects the meaning of our work. Work which is really a service to the nation, to society.

[Question] On the day of the MO and SB anniversary you will receive many wishes and many thanks. We want to add ours, and also to add our sports wishes...

[Answer] ...?

[Question] We are talking about the Krakow "Wisla" [soccer team], about better times for the fans who are disturbed about the team's standing.

[Answer] We do not need to remind anyone about the 78-year history of "Wisla." We know that our club's reputation goes beyond the city limits. Many of our team members hold leading places in the country and many divisions are competing for first place in Poland. It is true that recently the "Wisla" players are not doing too well. I accept your "Sports" wishes and assure you that the POIA leadership will give "Wisla" all kinds of help, which should bring about good results. Undoubtedly the fans will see better times.

[Interviewer] Thank you for the interview.

[Col Dzialowski] But before we say goodbye I would like to take advantage of the columns of GAZETA KRAKOWSKA to assure the residents of our province, on behalf of the POIA functionaries, that we will continue to make every effort so that all of us can live quietly and safely, and that opinion on the MO and SB can improve each day. We want to earn this good opinion by performing our duties dependably.

#### Past, Present Situation

Zielona Gora GAZETA LUBUSKA in Polish 3 Oct 84 p 3

[Interview with Col Aleksander Borysiewicz, chief of the Provincial Office of Internal Affairs in Zielona Gora, by Zbigniew Szydlowski; date and place not specified: "Serving Every Day"]

[Text] [Question] We are talking on the eve of the 40th anniversary of the Citizens' Militia (MO) and the Security Service (SB). How did it happen, Colonel, that a front-line soldier in the First Army during the war found himself in the militia after liberation, and what was the duty like at that time?

[Answer] Like many Poles, I was in the Soviet Union. I volunteered for the Polish First Army and in combat went with my unit to Berlin. After demobilization in 1946 I changed my military uniform into a militia one. At that time they were very similar. I became commandant of the post in Wroclaw Province. I had no professional training or preparation. I directed a group, several dozen, of MO functionaries. Our duty was to ensure law and order in an area assigned to us. The composition of the personnel staff varied greatly. It was made up of people of all ages, coming from different regions of the country. This diverse staff had several traits in common: dedication, commitment and a fighting spirit. These militant, bold MO functionaries also experienced a great deal of difficulty when they had to document the criminal facts of the activities of suspects. They simply did not have the professional knowledge or practical skills of investigative operations. Our strong suit was prevention. The functionaries did an excellent job in campaigns, in protecting people who were endangered, public property, and in maintaining public order.

Today we work under entirely different conditions. We have a well-trained cadre, with many years of practical experience, excellent technical equipment and other necessary means, but nevertheless I, and perhaps not I alone, look

back sentimentally on that period when the main weapon of battle was this splendid, ideological fervor paving the path of sacrifice. It is on these foundations that we are now bringing up the young generation, our cadres, who are loyally serving the socialist fatherland.

[Question] As time went on the internal situation in Poland became stable, problems totally different from those of wartime arose, and the nature of the work in the MO and SB also changed. A new generation, born and raised after the war, in People's Poland, entered active professional, social and political life.

[Answer] Our apparatus, which was reorganized many times and its scope of activity changed, also was affected by the sociopolitical and economic change process. Many problems disappeared with the stabilization of life in Poland. New problems, stemming from industrialization and civilizational development, arose. Circumstances required the creation of a qualitatively new workshop, which had to be efficiently serviced by well-trained cadres. The functionaries finished secondary schools. Somewhat later a higher education was required of the officer cadre. In preparing themselves professionally, the cadre did well in the noncommissioned officers and officers schools of the MO and SB. An Internal Affairs Academy was established. Today all functionaries have the required general education and professional training. Over 21 percent of the functionaries in the province have completed higher schools. Our tactical training and our technical equipment have been improved

Circumstances demanded that special services be organized in our apparatus. The effectiveness of their operations grows steadily. At this point I would like to express my sincere thanks and great appreciation to all of our friends and society for their help in solving these problems and in maintaining calm in the area. It is because of this that our province is one of the calmest. The people here demonstrate discretion and prudence.

[Question] This past summer I read, several times, in ZYCIE WARSZAWY announcements by the Warsaw Capital Office of Internal Affairs, that it is seeking candidates for work in the militia. How successful this search was I do not know. I have never heard of candidates for the State Police being recruited through announcements in the interwar period, or to the MO in People's Poland after the liberation. It appears, therefore, that not just industry needs people for work but that there are also difficulties in obtaining people for government service, although rumors say that the pay is not at all bad.

[Answer] Many factors decide whether a person can work in the militia: an unblemished reputation of the candidate and his family, the appropriate education, completed military service, good health, and above all high ideals, intellect and morality.

We recall the period during which the opposition, using all means, fought our organs. Slander, mental pressure and other actions to a large degree limited the flow of candidates for work in the militia, where the degree of personal risk is high, as for example in pursuit of criminals, rescuing public and private property during fires and other natural disasters. In our province, too, we have had cadre shortages. I want to emphasize with great satisfaction that this is no longer the case.

Do we have special privileges and do we draw enormous salaries? Many false ideas have arisen on this subject in the recent past. The official information on this subject has been and continues to be received with mistrust. We have no privileges, unless the overtime hours spent on duty and in the detection of criminals, hours which are unpaid in the militia, can be regarded as a privilege. Our salaries, also, are the same as the majority of the working people.

[Question] The press, radio and television report regularly that in this or that place the militia captured a dangerous criminal, exposed an economic crime, or successfully conducted a prevention-repression campaign, but really, in the Zielona Gora Province there are still serious crimes which have not been solved--homicides, for example. Society has a very simplified opinion on how the militia operates in such cases. In the serial "007, Report!" the apprehension of a criminal looks like a very easy and pleasant job, combined with amusing adventures...

[Answer] The basic criteria by which we evaluate the effectiveness of our work are the crime growth rate and the criminal-apprehension index.

Only our work influences the first of these factors. The amount of speculation is determined, for example, by the availability or rather the unavailability of specific goods on the market. The increase in crime is affected by the amount of social pathology, the technical quality and physical protection of property, and even to a certain degree public pressure on observance of the law.

It appears from this that the prevention of crime, and primarily the maintaining of a declining trend, is an extremely complex problem. Here the militia undertakes many-directional actions of its own and also inspires and cooperates with other social organs and forces who by law are responsible for combating crime. In this field, and we inform society about this, we conduct wide-scale campaigns and operations, for example in the Polish State Railroad areas, on the roads, bazaars and in public places. There are also, and these predominate, preventive measures, consisting of regular patrolling of dangerous areas, increased inspection of hangouts, suspected persons, families in danger of demoralization, persons who are alcoholics, social parasites and recidivists. This is arduous work. It requires good documentation and establishment of legal means to bring help to persons who need it and restore law where it has been violated.

But there are still many crimes which could be avoided if citizens and workplaces were more concerned about their property. As we know, there is no perfect crime, only a different degree of difficulty in detecting it. We are obtaining relatively good results. Detection this year was over 86 percent. We are systematically working to increase the degree of detection of violations of the law in the preliminary proceedings now being conducted, nor are we forgetting about cases which have become inactive.

Rarely does one functionary work on a case. Entire groups work together. That is how our work differs from that shown in various crime stories, where one hero with notepad in hand performs miracles.

[Question] The end of the 1970's and the early 1980's have not been the calmest in our country. We cannot yet look back on these years from a historical perspective. The present is still with us, at least insofar as effects are concerned. These were not the easiest months and years for the militia men, the SB employees and their families.

[Answer] The effects of that period were farreaching, both for public order and for many fields of social and economic life. We believe that this period has been thoroughly analyzed and evaluated by the party and the government, and in the province by its political and administrative authorities. Insofar as our apparatus was concerned, its work at that time was especially difficult. Attacked head-on by the opposition, we had to do our job, which grew from day to day. But there was no need to use force to restore order in the province. This is the undubitable success of the decided majority of the inhabitants of the region, who refused to heed the hostile, ruinous propaganda. But the aftermath of this period remains.

That is why we now need to make a great effort to fully eliminate the effects of that period. Our priority goal in our activities is to bring about a decrease in crime, to reduce the amount of social pathology, to improve public order and social discipline, and to increase the respect for the law and the observance of the principles of social coexistence. An important part of our tasks relate to the improvement of the protection of the national economy. We are conducting multidirectional preventive actions. This is our basic duty, the aim of which is to safeguard the largest possible group of people against penal liability and also against personal tragedy. In my opinion, by doing this we are on the best road to complete stability in the area.

[Interviewer] Thank you for the interview.

#### Cooperation With Society

Poznan GAZETA POZNANSKA in Polish 5 Oct 84 p 3

[Interview with Col Zdzislaw Stocki, chief of the Provincial Office of Internal Affairs in Poznan, by Jerzy Nowakowski; date and place not specified: "Every Day We Must Pass a Public Test"]

[Text] [Question] Colonel, anniversaries give one pause for thought. What thoughts occur to you on the 40th anniversary of the Security Service (SB) and the Citizens' Militia (MO)?

[Answer] At all observances there is a place for pride in work performed, in the meeting of yesterday with today. This applies to our anniversary also. How was our 40 years in service to the nation? The answer is basically simple: Just as was the fate of our postwar statehood. Our service is closely linked to the building of socialism, to the protection of the state's political system and to calm in the society. We have always performed these functions with dedication. Only its forms changed, forms which must take into account the realities of the difficult road we chose after the end of World War II. We have always done, and continue to do, everything in our power to safeguard

the achievements which fell to the lot of our socialist fatherland. True, we are operating across a wide front, but the results of our actions must serve society because we are not working in a vacuum and are subjected every day to a public test.

[Question] Let us go on to the present. What is the most characteristic feature of the work of today's MO official?

[Answer] As I already mentioned, the general tasks which were assigned to the MO and SB have not changed since these agencies were organized. Only the forms have been modified. The history of our agencies clearly confirms this thesis. Obviously, constant improvements are being made, just as in any other field. This is not a goal in itself but a constant need to create ever more effective barriers against attacks by political adversaries on our relatively new political system, against all kinds of violation of the law, particularly the penal law.

These and other determining factors have an effect on the personality of today's MO functionary. In our ministry, just as everywhere else, success in work depends on knowledge, skill, and a third sense, and also on a predisposition sometimes called a calling. The sum of these traits forms the a profile of the ideal functionary of our times. Obviously we try to come close to this model, but this is not at all easy.

[Question] Someone once said that the militia is what the society is. Are the inhabitants of Poznan Province more disciplined than those of other regions of the country?

[Answer] We are, after all, a part of society, and not some kind of anonymous, isolated group. We are open to the problems of the world which surrounds us. In any case, we work among the people and for the people. That is our mission and those are the tasks assigned to our ministry. As for us ourselves, the Great Poland residents, it is hard for us to assess ourselves, but it would also be unfair to criticize the level of discipline of the Poznan society. It is high, and stems from the historical development of this region. This is undoubtedly a positive characteristic and in these hard times truly one to be desired.

[Question] With what crimes does the Poznan militia now have the greatest problems?

[Answer] Thievery, automobile break-ins--those are the crimes committed most often in our area. Automobile accessories such as wheels, batteries and electronic equipment are being stolen. This is caused to a large extent by the lack of a sufficient number of guarded parking spaces, failure to take measures against thievery, and leaving valuable items visible in parked automobiles. Next are thefts and burglaries from basements and dwellings, from which most often luxury items are taken such as jewelry, gold, silver, radio and television equipment, foreign currency and leather products. Lack of security in dwellings is a public evil. Next, thefts of wallets and purses in means of transportation and places of trade, caused by inattention and distraction of passengers and purchasers and by their leaving these items in shopping baskets and bags.

[Question] What is the situation with narcotics addiction?

[Answer] We have drug addiction in Poznan Province but it should not be exaggerated. Each year the number of people using drugs increases. Currently, the MO knows about approximately 300 people who are drug-dependent to a greater or lesser degree. We are taking steps to reduce the dimensions of this process. The fact that the number of crimes connected with the illegal obtainment of narcotics has dropped 50 percent is positive. In our province we do not have the typical trade with medicines and other agents and, above all, there is no production of the so-called "compote." These are positive signs that the spread of addiction is being curtailed.

[Question] People are very irritated when they see various goods in the flea markets, domestic items also, which are not available in the normal stores, priced several times higher than in the state stores. There seems to be no end to this problem.

[Answer] The problem of flea market sales continues to upset the people of Poznan. The MO is constantly taking action against speculators. For a long time now the objects of illegal sales are items of foreign production, mainly clothing, footwear, electronic watches, silver chains and goods bought from socialized trade establishments for the purpose of speculation. This year alone the militia seized goods valued at 10 million zlotys from the illegal tradesmen. The flea market continues to function in its negative form. This problem is caused mainly by the high profitability of illegal trade and relatively low lawful punishment. The most painful sanction for the tradesmen is the loss of goods, and not the penalty assessed. Under these circumstances the sales will continue as long as there is a lack of competitive goods in the shops and as long as there are people who will buy the items in the flea markets.

[Question] Without the active participation of society, your actions will never be fully effective. How this does look in our province?

[Answer] The Poznan militia always has had and continues to have solid support from the people insofar as catching criminals is concerned. This is due, in my opinion, to the traditional love of order and calm among the residents of our area. There is a great deal of evidence of honest assistance on the part of society in tracking down criminals, and you have written about this many times.

[Question] Last Saturday we met at the judging of a competition for children. We know that your nonduty contacts with the residents of our city are frequent. Does this mean that in order to be a militia man one must only perform specified duties or can one also be publicly involved?

[Answer] Many functionaries of our garrison are involved in various types of social organizations and sports clubs during their off-duty hours. This is one form of their activities and their influence on the surroundings in which they meet. It would be hard for me to name, even by examples, the range of public interests of my subordinates. They are everywhere, because after all, we are part of society and live in it.

[Question] In a few days you will be observing your anniversary. What should I wish the functionaries of the MO and SB and their wives and families on this occasion?

[Answer] First of all, less violations of security and public order in our area, and less need for intervention on the part of the functionaries. Then, surely, the militia men and their families will live better and more peacefully.

[Interviewer] Thank you for the interview.

#### Law, Order

Kielce SLOWO LUDU in Polish 4 Oct 84 p 3

[Interview with Col Jozef Dolak, chief of the Provincial Office of Internal Affairs in Kielce, by Anna Orlicka; date and place not specified]

[Text] [Question] One campaign after another: "Rynek" [Market], "Sektor", "Nioletni" [Juvenile], "Posesja" [Property], "Be Cautious on the Road." Those are only examples from the last several months. Does one not get the impression that the militia works by campaigns?

[Answer] What a strange question. I hope that our entire interview will serve as a denial of this thesis, although I admit that it may appear to be so. As far as campaigns are concerned, and I would prefer to call them operations because they are thought through and based on a strict analysis of the risk of action, certain areas in our socioeconomic life demand persistent endeavors with the involvement of a large number of forces, and not just the militia. Hence the systematic organizing of a thorough penetration of certain areas of life. This does not mean, of course, that aside from them, or together with these operations, such negative occurrences cease to interest us.

[Question] Please give me some examples.

[Answer] The first, "Safe Tracks." A long-range undertaking with a clearly defined goal: To put railroad transports into order. We are continuing the operation with various results. One thing can be said for sure. Long years of neglect, the result of not only the fault of persons responsible for the functioning of the Polish State Railroads, have meant that the danger now present in the passenger traffic as well as the freight traffic is great and is disturbing to society. For example, we had several groups of bandits breaking into cars, and the like. Recently we discovered an economic swindle involving millions. A very shrewd family earned a great deal of money by ostensibly cleaning railroad buildings. That answers the question as to why we traveled in dirt and confusion.

[Question] It is dirty not only in the railroad stations...

[Answer] Operation "Property," repeated several times, proved that truly our cities and villages are not the cleanest. The provincial sanitation

inspector reports serious violations of the principles of hygiene in the production of food, in trade, and in the eating establishments. We are not ignoring these reports. We take a great part in improving the esthetics of the housing communities and the appearance of the towns and rural settlements.

[Question] So your undertakings make it possible to immediately inspect the situation and detect the violators.

[Answer] If only that were the goal we would not need the arduous preparations and the commitment of a large number of people. I will not speak of the detailed analyses conducted as a result of these operations, about the proposals that they give rise to, and about the prevention applied on this basis. These are matters which possibly may not interest a large number of readers. I will say only that they have a considerably wider effect that would appear from the question just asked. For example, the operation "Juvenile," In undertaking it we do not look for young violators because in specific cases they are pursued by the family court. We are interested in the minors, those who are uncared for, neglected, those in relation to whom parents or guardians are not fulfilling their obligations. We reveal the conditions which cause demoralization, seek methods of elimination or at least reduction of these causes.

[Question] We are entering an area which the general public rarely associates with the militia uniform. I refer to prevention. In the public awareness, the MO functionary is that person who punishes for violations or pursues the criminal.

[Answer] I do not entirely agree with this. Everyday prevention is based on proper assignment of patrols. The presence of a uniformed functionary in a public place is in itself a preventive factor and if he, additionally, is able to effectively and quickly react to all cases of violation of order...

[Question] ...Excuse me for interrupting. So what if at the sight of a patrol car I take my foot off the accelerator if right around the corner another car, driven by a drunk, hits my car!

[Answer] Some occurrences force us to to make mass strikes. That is how it is in the case of the consumption of alcohol by users of the road, particularly those driving vehicles. One fourth of fatal traffic accidents are the result, very simply, of drunkenness. Every year 60 people needlessly lose their lives on Kielce roads. I assure you that we deal with such cases severely and consistently.

[Question] Let us return to prevention. There is no doubt, despite my previous digression, that a militia uniform has a really disciplining effect on us.

[Answer] It begins with contact with the neighborhood militia man. Today, for the most part, these are young people. We do not want the citizen to be afraid of him. We want him to be able to talk to him about his troubles and expect some help from him. A very significant factor in the disciplining of human behavior are preventive talks, both individual as well as those conducted with the managements of workplaces. We send the latter our written reports

about confirmed irregularities or appearances on the basis of conducted preliminary proceedings. During the course of a year we send out about 2,000 such documents. Replies come in. Various replies. Most frequently like this: "We have corrected all deficiencies"... In verifying, we sometimes ascertain that some managing directors pretend to take action, they "correct" the situation in the plant only on paper, of course. An on-site investigation shows that our instructions have been followed only minimally or not at all. We will consistently enforce the execution of our instructions.

[Question] A question from the position of the average citizen: If I commit an offense must I immediately pay a fine or appear in court?

[Answer] Not necessarily. If it is not an offense which threatens the peace and security of the citizens, committed under the influence of alcohol, the functionaries give a warning. During the eight months of this year 27,000 persons were punished by fines or directed to appear in the misdemeanor court while over 56,000 persons were issued warnings, the fine having been waived. This, too, is prevention. By the way, the mass media play a large role here. By giving the sociolegal problems wide coverage, they point out the dangers, warn and provoke thought. I feel obliged to issue strong words of praise to the editorial staff of our provincial newspapers and the Kielce Polish Radio Station.

[Question] On behalf of my colleagues, I thank you. Recently journalists are writing and speaking mostly about speculation, an offense that is probably most characteristic for times of crisis and which also arouses the greatest public emotion.

[Answer] Yes, on a mass scale this is a phenomenon which is most typical when the economy is unbalanced. And it has happened during the Polish crisis also. Except that three years ago everything was being traded illegally. Now it is the attractive goods, obtained in agreement with persons involved with its distribution. In Kielce we uncovered the speculative sale of carpets valued at over 1 million zlotys. In Skarzysk furniture was brought in ostensibly for the needs of establishments of the public economy, but these carpets were sold at higher prices to private purchasers. In Ostrowiec desirable merchandise was sold even before it reached the warehouses and shops. I can give many such examples, although those that have been detected in no way indicate the size of the problem. The actual number of these cases is still not known, hence the public perception that the number is much larger. Let me add that during eight months of this year the number of speculation crimes uncovered grew by almost one fourth. I want to emphasize here the role of the Commission to Combat Speculation. There are workers on this commission who have been revealing these crimes with great passion.

[Question] We have said nothing so far about the dangers occurring from the commission of common criminal offenses. There is a general opinion that immediately after martial law was imposed all respectable citizens heaved a sigh of relief. The mental shock which accompanied this difficult decision was also suffered by various types of swindlers, crooks and thieves. They became quiet and hid. But just for a short time and then everything returned to normal.

[Answer] Unfortunately. The situation has stabilized, if we can use such a term, from the standpoint of both the amount and geographical distribution of the crimes. Particularly noteworthy, especially in Kielce, are the predatory attacks (Kielce Province from the standpoint of their number ranks disgracefully among the highest in the country), as well as fights and bodily injuries. Crimes against property are very prevalent also: break-ins into dwellings, garden summer-houses, basements, and automobiles. Thefts of wallets and purses are also multiplying. At this point it is necessary for me to mention human naivete, which makes it extremely easy for those who commit those kinds of crimes. The classic example of the "key under the doormat" best describes the lack of concern which some citizens show in regard to their property.

[Question] Burglaries of dwellings, particularly those of the affluent, are also a method of enriching oneself.

[Answer] It is not an effective method. The great majority of culprits are arrested. But it is true that over 30 percent of the crimes against property are committed by social parasites, those who do not work anywhere and have no steady source of income. Yet almost 35 percent of this group are recidivists. This attests to the constant inadequacy of penitentiary policy.

[Question] This is an eternal problem--what to do to make a person leaving a penal institution not want to return to crime. But that is a subject for another conversation. But while we are talking about leaving a penal institution, have many of those who took advantage of the law on amnesty again committed an offense?

[Answer] Amnesty was an act of kindness particularly to those persons who accidentally or unwittingly broke the law. This was an opportunity to erase the liability for punishment from the rolls of those sentenced and return them to their jobs and surroundings. Up to 20 August 1984 11 persons were released from investigative arrest (seven who had been sentenced and 4 who had been temporarily arrested), persons who had been arrested for political crimes. Thus far they show no signs of returning to activities which would threaten legal order. Also, in Kielce Province, 808 people who had been sentenced and temporarily arrested for ordinary crimes benefited from the amnesty. Misdemeanor court proceedings in relation to 2,740 people have been canceled. In total, over 5,000 people who were suspected, accused or sentenced fell under the amnesty provisions. Thus far there have been no reports that the wide-scale application of the amnesty law has resulted in an increase in crime. Twenty-eight penal acts (including 25 burglaries) committed by 12 persons released from penal institutions have been reported. This is not a large number. But still approximately one-third of the amnestied remain without a steady source of income. This may be, although of course it does not have to be, the first step on the road to crime.

[Question] Is there any political opposition in Kielce?

[Answer] Here and there sometimes crudely printed leaflets appear. I do not believe that their authors should be called political opponents. This is more a desire to show that they are "operating." Anyway, these leaflets do not find support among the people. On the contrary. Many residents bring them to our establishments.

[Question] People, in general, are more willingly now helping the militia?

[Answer] Public activeness in this respect is growing, which I say with great satisfaction. This year I have already received over 2,000 letters from citizens reporting various negative occurrences, often reporting specific crimes and their culprits. Everyone of these letters receives a reply. During the course of the year I meet with at least 600 persons who come to me during my weekly (Monday) turn of duty. At that time I listen to complaints, interventions and suggestions. These are private talks on various matters, often difficult and very painful for the persons involved but useful for me also because they encompass various sphere of social life. I think that after the elections to the residents' self-governments society's ties with the MO functionaries will become strengthened and there will be more peace in the housing communities, apartment buildings and in the countryside. Social organizations, particularly the trade unions, are helping us in our everyday service by delegating their representatives for the execution of various endeavours. But the main assistance comes from the Volunteer Reserve of the Citizens' Militia. With a membership of over 12,000 it is an important support, physical also, to our functionaries in the maintenance of calm and the protection of the citizens' property. I want to sincerely thank all of those citizens and organizations who cooperate with us.

[Question] We are talking on the eve of your anniversary. What would you like us to wish all of the functionaries of the MO and SB on this occasion?

[Answer] A stronger battle-front with crime and more favorable conditions for eliminating activities which threaten law and order. Without effective public support our apparatus is not able to fully accomplish all of the tasks assigned to us, including those assigned by the 14 July 1983 law on the office of the minister of internal affairs and the scope of operations of the offices under him. Implementation of the program of the party's Ninth Congress can take place only under conditions of peace and internal calm. It is precisely the SB and MO functionaries which fulfill a significant role in consolidating these conditions. I thank all of them and their families for their hard work and dedication, wishing them good health and success in their professional and personal life.

[Interviewer] Thank you for the interview.

9295  
CSO: 2600/169

## EXECUTIVE ORDER DEFINES DUTIES OF PLANNING COMMISSION

Warsaw DZIENNIK USTAW in Polish No 43, 7 Sep 84 item 225 pp 537-539

["Order of the Council of Ministers of 3 August 1984 on the Scope of Specific Responsibilities of the Planning Commission of the Council of Ministers, Its Presidium and the Chairman of the Planning Commission of the Council of Ministers"]

[Text] On the basis of article 12 of the law of 12 July 1984 on the Planning Commission of the Council of Ministers (DZIENNIK USTAW No 35, item 186), the following is decreed:

§1. The following fall within the scope of specific responsibilities of the Planning Commission of the Council of Ministers, henceforth referred to as "the Planning Commission":

- 1) in the sphere of elaborating preplan analyses and studies concerning fundamental socioeconomic issues in our country and in working out long-range forecasts:
  - a) preparation of periodic studies of the socioeconomic situation of our country and identification on the basis of such studies of major problems in need of a solution;
  - b) organization of research on the conditions and directions of development of the world economy;
  - c) identification, within the framework of major problems in need of a solution, of topics for specific research as well as the initiation of such research;
  - d) evaluation of the results of research;
  - e) preparation, on the basis of efforts referred to in items a) through d), of long-range forecasts taking into account the environment for the development of our country;
  - f) drawing conclusions following from the long-range forecasts;

2) in the sphere of elaborating the assumptions of socioeconomic policy and land-use management of the country:

a) preparation of [alternative] versions of assumptions of socioeconomic policy of our country, with emphasis on structural transformations in the national economy, the demographic situation of our country and the standard of living of the populace, labor resources and the training of skilled cadres, scientific-technical progress, the development of economic relations with foreign nations and investment and raw materials policy;

b) preparation of [alternative] versions of the land-use management policy of our country, including the spatial assignment of new projects and its impact on the environment;

c) preparation of a cohesive concept of socioeconomic and land-use management policies of our country;

d) solicitation of the views of the organs of state administration and socioprofessional organizations on the assumptions referred to in point c);

e) preparation of draft assumptions of the socioeconomic and land-use management policies;

3) in the sphere of working out programs for solving fundamental problems facing our country:

a) determination, in cooperation with the leading and central organs of state administration, of the basic scope and kind of such programs;

b) initiation of work on such programs and cooperation in carrying them out;

c) preparation of selected programs for solving fundamental problems facing the country;

4) in the sphere of preparing alternative versions of assumptions and drafts of long-range plans and the plan of land-use management of our country:

a) preparation of alternative versions of the long-range plan;

b) preparation of alternative versions of the land-use management plan;

c) preparation of joint versions of draft long-range and land-use management plans;

d) preparation of draft long-range and land-use management plans;

e) analysis of cohesion of regional and national land-use management plans;

5) in the sphere of elaborating alternative concepts and drafts of the national socioeconomic plan:

a) preparation, in cooperation with the leading and central organs of state administration, of alternative concepts for the national socioeconomic plan, especially on the basis of the long-range plan and the current assessment of the condition of national economy and the environment for its development;

b) preparation, in cooperation with the leading and central organs of state administration, of economic instruments and parameters determining the conditions in which enterprises and other economic units operate;

c) preparation of draft national socioeconomic plans, combined with the establishment of economic parameters and instruments affecting the operating conditions of enterprises and other economic units with a view to ensuring the implementation of the plan;

6) in the sphere of preparing alternative assumptions and drafts of the central annual plan:

a) preparation, in cooperation with the leading and central organs of state administration, of alternative assumptions for the central annual plan and specifically on the basis of the resolutions of the national socioeconomic plan and the current assessment of the condition of the national economy and the environment for its development;

b) in case of need, analysis and preparation, in cooperation with the leading and central organs of state administration, of proposals for changing economic instruments and parameters determining the operating conditions of enterprises and other economic units;

c) preparation of alternative versions and, subsequently, drafts of the central annual plan, combined with the determination of economic instruments and parameters affecting the operating conditions of enterprises and other economic units, with a view to ensuring their implementation;

d) in case of need, preparation of draft amendments to the national socioeconomic plan and the central annual plan;

7) in the sphere of participation of the People's Republic of Poland in socialist economic integration:

a) preparation, in cooperation with the leading and central organs of state administration, of the concept of participation by the People's Republic of Poland in socialist economic integration;

b) bilateral and multilateral coordination of plans with member countries of the Council for Mutual Economic Assistance and other socialist countries;

c) provision of conditions for implementing the results of plan coordination referred to in point b) in central plans;

8) in the sphere of centralized investment and spatial assignment of projects:

- a) preparation, on the basis of analyses and consultations, of proposals for granting the status of centralized investment projects to certain undertakings combined with the presentation of basic technical-economic parameters and sources of financing;
- b) preparation of proposals to draw a register of centralized investment projects combined with the fixing of maximum amounts of outlays for such investment in the national socioeconomic plan;
- c) preparation of suggestions on scheduling the beginning of implementation for individual centralized investment projects or their stages;
- d) preparation of suggestions for changing basic technical-economic parameters of individual centralized investment projects or changes in the program of centralized investment projects under construction;
- e) preparation of annual information packages on the implementation of centralized investment projects, changes and actual outlays for and the effects of implemented centralized investment;
- f) provision of spatial assignment recommendations for investment projects of national importance as defined by the regulations on land-use planning;
- g) preparation of annual information packages on spatial assignment decisions made in our country;

9) in the sphere of drawing balances of basic raw and other materials, energy and products:

- a) preparation of recommendations on establishing the nomenclature of centralized balances;
- b) preparation of draft centralized balances approved by the Council of Ministers;
- c) expertise of balances prepared by the Office of Materials Management;
- d) cooperation with the leading and central organs of state administration in working out the guidelines for materials supply, with emphasis on the fulfillment of government orders and operational programs;

10) in the sphere of preparing current and periodic assessments, analyses and forecasts of socioeconomic development and implementation of central plans:

- a) preparation of annual analyses and reports on the implementation of the national socioeconomic plan;

- b) preparation of monthly and quarterly analyses of the implementation of the central annual plan and assessments of the economic situation of the country;
  - c) research providing the opportunity for early warning of the present threats to the implementation of central plans;
  - d) preparation of yearly analyses and evaluations of the implementation of the central annual plan;
  - e) preparation of periodic analyses and assessments of basic economic issues;
  - f) development of periodic forecasts of socioeconomic development of our country;
  - g) comparative analyses of the economic situation in our country against the background of other countries, especially including the member countries of the Council for Mutual Economic Assistance;
  - h) cooperation with the leading and central organs of state administration and banks in implementing the tasks enumerated in points a) through f);
- 11) in the sphere of improving the system of management and control in the national economy:
- a) preparation, in cooperation with the leading and central organs of state administration, of periodic analyses and assessments of performance and efficiency of the system of management and control in the national economy;
  - b) preparation, in cooperation with the leading and central organs of state administration, of suggestions on changing and improving the system of management and control in the national economy;
  - c) periodic presentation of the results of analyses along with the recommendations drawn from the studies and research into the methods of management and control in the national economy, especially in socialist countries, in cooperation with proper research and development units;
  - d) analyses of instruments and parameters of economic management from the point of view of efficient facilitation of the fulfillment of central plans along with suggestions for changes and improvement in such instruments;
  - e) preparation, in cooperation with the leading and central organs of state administration, of suggestions concerning the instruments ensuring the reconciliation of plans of enterprises and other units of the socialized economy with the assumptions of central plans;

12) preparation of studies ordered by the Council of Ministers or the chairman of the Council of Ministers which fall within the scope of responsibilities of the Planning Commission.

§2. In carrying out the tasks outlined in §1, the Planning Commission takes into account the issues of defense capability and state security as well as other tasks in this sphere outlined in separate regulations.

§3.1. The Planning Commission meets in plenary sessions according to the statute adopted by the chairman of the Council of Ministers.

2. Meetings of the Planning Commission are called and chaired by the chairman of the Planning Commission or, on his delegated authority, by the first deputy chairman of the Planning Commission.

3. The Planning Commission reviews and evaluates in its plenary meetings the materials pertaining to issues outlined in article 5 of the law on 12 July 1984 on the Planning Commission of the Council of Ministers (DZIENNIK USTAW No 35, item 186), henceforth referred to as "the law," transmitted to the members by the chairman of the Planning Commission.

§4.1. The presidium of the Planning Commission acts in accordance with the statute adopted by the chairman of the Planning Commission.

2. The presidium of the Planning Commission reviews and evaluates the issues referred to in article 6 of the law.

§5. The chairman of the Planning Commission carries out the tasks of the Planning Commission outlined in the law, taking into account the regulations of §3, paragraph 3 and §4, paragraph 2, and manages the work of the office of the Planning Commission.

§6. Specifically, the chairman of the Planning Commission establishes:

- 1) methods, modes and deadlines for preparing draft assumptions and long-range plans, land-use management plans, national socioeconomic plans and central annual plans;
- 2) methods, modes and deadlines for drawing up balances of raw and other materials, energy and products;
- 3) methods of economic calculations of the efficiency of management as well as investment and technical development;
- 4) methodology for economic evaluation of the operation of units of the socialized economy;
- 5) methodology for preparing economic analyses.

§7. The chairman of the Planning Commission:

- 1) coordinates the cooperation of leading and central organs of state administration with regard to central planning;
- 2) oversees local organs of state administration of special character at the provincial level in matters of planning, on the basis of and in the mode defined by the law of 20 July 1983 on the system of people's councils and local self-government [DZIENNIK USTAW No 41, item 185 and No 62, item 286 and 1984, No 21, item 100 and No 31, item 173);
- 3) organizes and provides guidelines for permanent cooperation with selected economic units for the needs of central planning and improvement of the system of management and control in the national economy, as well as for the needs of preparing enterprise plans;
- 4) cooperates with the chairman of the Main Office of Statistics in establishing basic definitions, notions, classification, nomenclatures and codes pertaining to planning and ensures their application in planning;
- 5) organizes and conducts social consultations, including those in the press and other mass media, on fundamental issues in central plans and on proposed solutions as well as communicates the results of such consultations to the public indicating the way in which the results are taken into account.

§8. The chairman of the Planning Commission determines the methods, modes and schedules for transmittal of information to the commission by selected economic units on their 5-year and annual plans and developmental prospects.

§9. The chairman of the Planning Commission publishes the Official Bulletin of the Planning Commission of the Council of Ministers, which carries legal acts and other documents pertaining to central planning.

§10. The order takes effect on the day of publication.

Chairman of the Council of Ministers:  
General of Arms W. Jaruzelski

9761  
CSO: 2600/92

## BRIEFS

JARUZELSKI SPEAKS AT SKIERNIEWICE PARTY MEETING--Participation of the primary and section party organizations in the solution of the region's economic problems was the subject of the meeting of the party voivodship committee executive in Skierniewice with more than 1,200 first secretaries of the primary and (?section) party organizations. The meeting was attended by Wojciech Jaruzelski, first secretary of the PZPR Central Committee. Speaking on matters raised during the debate, Wojciech Jaruzelski stated that the party's strength is based mainly on collective action because only then is the party capable of overcoming difficulties. [passage indistinct] Nothing that is human or important to the nation and Poland, Wojciech Jaruzelski said, can be alien to us. That is why the party is so sensitive to any evil. Speaking about the future, the first secretary of the PZPR Central Committee stated that only the party is able to map out the goals and assume responsibility for the choices made. [Text] [Warsaw Domestic Service in Polish 1800 GMT 24 Nov 84 LD]

CSO: 2600/210

## CHINESE ECONOMIC REFORM ANALYZED

## Main Aspects of Reform Reviewed

Bucharest SCINTEIA in Romanian 24 Oct 84 p 6

[Unattributed article: "The Decision of the Central Committee of the Chinese Communist Party on the Reform in the Economic Structure"]

[Text] Beijing, 23 Oct (ROMANIAN PRESS AGENCY)--As the NEW CHINA NEWS AGENCY has also announced, the Plenum of the CCP Central Committee, which adopted the Decision of the Central Committee of the Chinese Communist Party on the Reform in the Economic Structure and set the convocation of the CCP National Conference for September 1985, took place in Beijing.

In the decision on the reform in the economic structure, it is noted that the plenum analyzed the current political and economic situation in China and synthesized the experience of the construction of socialism and, in particular, the results of the reform in the economic structure in the urban and rural areas in past years--the NEW CHINA NEWS AGENCY transmits. The plenum reached a consensus regarding the fact that--starting from the idea of the necessity of constructing socialism with a Chinese specific character, by applying the basic principles of Marxism to the current conditions in China--it is necessary to make new progress in the policy of stimulating the domestic economy and to achieve greater openness to the outside world, there being sped up the restructuring of the national economy on the whole, with the accent on the economy in the urban area, in order to create new and better conditions in the process of socialist modernization.

The decision states that the 3d Plenum of the 11th CCP Central Committee, establishing that the whole activity should be focused on economic construction, stressed the urgent necessity of reforming the economic structure, with a view to the socialist modernization of China. After this plenum, the party carried out a number of reforms, especially in the rural area, where the economic restructuring has scored great successes. Agricultural production--constituting the major concern for a long time--has been developed vigorously in a very short period of time. The reform in the rural area is continuing, and the rural economy is progressing in the direction of specialization and modernization.

It then says in the decision: "The cities represent the economic, political, scientific, technological, cultural and educational centers in which modern industry and the members of the working class are concentrated, they playing a leading role in socialist modernization. A firm system of reforms constitutes the only way in which the cities will manage to fulfill their leading role of strengthening the urban economy and stimulating the whole economy, of opening up to the outside world and of promoting healthier and faster development of the whole national economy."

The economic structure--the decision points out--must use better the latest scientific and technological achievements by promoting scientific and technological progress and by generating new production forces.

In the decision, after it is noted that in the 35 years that have passed since the creation of the People's Republic of China its people, led by the CCP, have achieved a quite comprehensive, independent national and industrial economic system and efforts have been made to create the fundamental material bases needed for turning China into a modern, strong and prosperous country with a high level of democracy and civilization, it is pointed out: "We must emancipate our thinking more, must follow our own path, must promote the growth of the production forces. This constitutes the basic objective of our current reform."

This reform--it says in the document--will be carried out under the guidance of the party and state, in a planned, systematic and methodical manner. It will promote progress in social stability, in the development of production, in the improvement of the standard of living of the working people, and in the growth of state income.

The key to restructuring the national economy is the reinvigoration of the enterprises in the urban area, especially the big and middle-sized enterprises belonging to the whole populace--it is then pointed out in the decision. In order for the economic activity of the enterprises to meet the general requirements for economic growth, the state socialist institutions must supervise, guide and regulate the activities of the enterprises through planning and through economic, administrative and legal means.

The enterprises--it says in the decision--must work out in clear terms the requirements of each workplace and the duties of each worker or management-staff member and establish varied forms of the system of economic responsibility, based mainly on contracted activities, so as to obtain an invigoration of the activity of the urban enterprises and an increase in the sense of responsibility of the workers and the members of the management and attain full utilization of the initiatives, enthusiasm and creative spirit. The basic principles of the system of responsibility are a union between responsibility, authority and benefit, a unity between the interests of the state, those of the community, and individual interests, and a linking of the incomes of the workers and the members of the management to the results of their labor.

There being noted the necessity of gradually achieving increases in the salaries of the workers and management personnel, as well as in the population's

consumption, it says in the decision that these increases will have to be based on growth in production, on better economic results, on continual growth in state income and on a correct ratio between accumulation and consumption. The decision points out later that foreign economic cooperation and the exchange of technology must be expanded actively, on the basis of the principles of equality, independence, self-reliance, mutual advantage and mutual good faith.

In the decision, a special accent is put on forming the management and administrative personnel, especially directors of enterprises, who should be abreast of the problems of the economy and modern technology and, at the same time, animated by a creative and innovative spirit.

The reform in China's economic structure--it is pointed out in the decision--will be carried out over a wide area and in depth. It will have direct implications for the future of the country and for the vital interests of the millions and millions of workers, peasants and intellectuals. All comrades in the party must be in the front ranks of the reform.

In the final part of the decision it says: "Along with carrying out the reform, we must strengthen the conducting of the process of consolidating the party. In addition, we must strengthen even more the affirmation of the party's good style and the spirit of discipline and maintain a healthy internal party political life. In the ideological and organizational activity in the new historical period, we must firmly implement the party's guiding principle according to which this activity must contribute to the fulfillment of the general tasks set by the party and must be closely connected with economic construction and with the reform in the economic structure." The Chinese communists feel that the continual promotion of development and social progress is their historical mission--it is pointed out in the conclusion of the decision.

#### Old Planning Concepts Rejected

Bucharest LUMEA in Romanian 25 Oct 84 pp 12-13

[Unattributed article: "The Plenum of the Central Committee of the Chinese Communist Party--Directions of Action in the Structural Reform in the National Economy"]

[Text] The proceedings of the Plenum of the Central Committee of the Chinese Communist Party, which adopted the Decision on the Reform in the Structure of the Economy, were held last week in Beijing. Judged as a programmatic document with regard to the structure of the Chinese economy, the decision emphasizes the necessity and urgency of applying the reform in the structure of the whole economy, with an accent on the urban economy, maps out the orientation of the reform and defines its nature and tasks. At the same time, there was adopted a decision referring to convening in September 1985 the National Conference of Party Delegates, a

forum that will discuss and adopt proposals regarding the basic provisions of the 5-year plan (1986-1990) for economic and social development of China, will elect new members to the Central Committee and will discuss organizational matters. Some 1,000 delegates will participate in the conference. The proceedings of the plenum were conducted by Hu Yaobang, Deng Xiaoping, Zhao Ziyang, Li Xiannian and Chen Yun, members of the Permanent Committee of the Political Bureau of the CCP Central Committee.

During the proceedings of the plenum, the current political and economic situation in China was analyzed and--according to the decision adopted--both the positive and negative experience and, in particular, the results of the reform in the economic structure in the urban and rural areas in past years were synthesized. "The plenum," the cited decision points out, "reached a consensus regarding the fact that, starting from the idea of the necessity of constructing socialism with a Chinese specific character, by applying the basic principles of Marxism to the current conditions in China, progress in the policy of stimulating the domestic economy and the achievement of greater openness to the outside world are necessary, there being sped up the restructuring of the national economy on the whole, with the accent on the economy in the urban area, in order to create new and better conditions in the process of socialist modernization."

It being mentioned that a "new technological revolution, which offers new possibilities and new stimuli for our economic growth," is manifesting itself on a global scale, this means--it is pointed out in the document--that "our economic structure must use better the latest scientific and technological achievements by promoting scientific and technological progress and by generating new production forces. In consequence, the reform is all the more an urgent necessity."

It was noted, in particular, that, in the 35 years that have passed since the creation of the People's Republic of China, the people, led by the CCP, have achieved an independent and generalized national and industrial economic system. The profound changes produced in this period--it is pointed out--"constitute a demonstration of the superiority of the socialist system." At the same time, the current plenum's decision states that "this superiority has not yet manifested itself fully. Besides political and ideological causes, the rigid economic structure, which cannot keep pace with the developing production forces, constitutes the main economic cause of this situation."

"In conformity with the party-supported principle of applying the basic theses of Marxism to China's current conditions and with the principle of a correct approach to the experience abroad, the CCP Central Committee," it says in the decision, "lays stress on a greater emancipation of thinking, on following our own way of achieving a socialist economic structure with a Chinese specific character, on promoting the growth of the production forces--the basic objective of the current reform." This reform "will be carried out under the guidance of the party and state, in a planned, systematic and methodical manner," promoting progress in social stability, in the development of production, in

the improvement of the standard of living of the working people, and in the growth of state income.

The main and direct responsibility for the economic restructuring goes to the enterprises in the urban area. "The enterprises constitute the main force that determines the growth of the production forces and the stimulation of economic and technological progress. At present, in China, in the urban area, there are over 1 million industrial, construction, transportation, commercial and service enterprises, totaling a work force of over 80 million people. Just the taxes and profits of these industrial enterprises represent over 80 percent of the state's income," it says in the document adopted by the plenum, it being specified that the accent on reinvigorating the enterprises in the urban area, especially the big and middle-sized enterprises belonging to the whole populace, represents the key to restructuring the national economy.

In order for the economic activity of the enterprises to meet the general requirements for economic growth, the state socialist units must supervise, guide and regulate the activities of the enterprises through planning and through economic, administrative and legal means. As regards the enterprise, on the condition of complying with the state plans and submitting to state control, it has the right: to adopt flexible and diversified decisions on production; to use the funds that it has the right to keep; to name, dismiss, hire and choose its own personnel in conformity with the regulations in force; to make decisions on the recruitment and use of its work force and on salaries and compensation; to set the prices of its products within the limits prescribed by the state; and so on. Correct relations between the state and enterprises and between enterprises, workers and personnel constitute--it is pointed out--the essence and basic requirement of the restructuring of the whole national economy with the accent on the cities. The application of this basic requirement necessitates inevitably--it says in the plenum's decision--the reform of all sectors of the economic structure with regard to planning, the economic management of the state institutions, and the labor and wage system. The CCP Central Committee judges that these reforms must be carried out step by step--in approximately 5 years--in accordance with the inherent connections between the various links of the national economy, taking into account the degree of maturation of the subjective and objective conditions and in accordance with the importance, urgency and possibilities of achievement.

With regard to reforming the planning system--it says in the decision--it is necessary to give up the traditional idea of counterposing the planned economy to the market economy, starting from the view that "the socialist planned economy is a planned market economy based on public ownership in which the law of value must be obeyed and applied consciously." "In order to reform our current planning system," it is pointed out in the plenum's decision, "the gradual and suitable reduction of mandatory planning and the expansion of orientative planning are necessary."

Addressing the relations between the state bodies and the enterprises, the plenum's decision notes that the state departments on various levels must establish suitable relations with the enterprises under their subordination, so as to stimulate the capacity of the enterprises and other basic units in the

direction of the management of economic activity. It says later that the relationship between the socialist enterprises is, above all, a relationship of cooperation and mutual support. "On the basis of public ownership under the control of the laws and state planning and having socialist modernization as an objective, our enterprises," it says in the document, "are faced with the direct judgment of the consumers in the marketplace, so that the best will survive."

It being found, as a result of the experiments applied in the past few years, that the system of responsibility on a basis of a contract in the rural areas is also applicable to the cities, it is pointed out that the enterprises must work out, in clear terms, the requirements of each workplace and the duties of each worker or management-staff member and must establish varied forms of the system of economic responsibility, based mainly on contracted activities, so as to obtain an invigoration of the activity of the urban enterprises and an increase in the sense of responsibility of the workers and the members of the management and to attain full utilization of the initiatives, enthusiasm and creative spirit. "The basic principles of this system of responsibility are a union between responsibility, authority and benefit, a unity between the interests of the state, those of the community, and individual interests, and a linking of the incomes of the workers and the members of the management to the results of their labor."

In the decision of the plenum of the CCP Central Committee, referring to the greater role that the reform gives to the heads of enterprises and, in particular, the party organizations--"which must guarantee and supervise the implementation of the principles and policy of the party and state and strengthen the ideological and organizational work in the enterprises"--it says that, at the same time, it is necessary to improve the system for holding assemblies of the working people and the management personnel and other systems of democratic leadership and it is necessary to confer on the trade-union organizations and the deputies among the workers and management personnel a role in the examination and discussion of the major decisions that must be made by the enterprises, supervising the administrative leadership and defending the legitimate rights and interests of the workers and management personnel. Later, the plenum's decision stresses the necessity of "correctly applying" the socialist principle of remuneration according to labor, it being noted, in context, that it is necessary to gradually achieve substantial increases in the salaries of the workers and management personnel, as well as in the population's consumption. "These increases will have to be based on growth in production, on better economic results, on continual growth in state income and on a correct ratio between accumulation and consumption."

The plenum's decision puts a special accent on actively expanding foreign economic cooperation and the exchange of technology on the basis of independence, self-reliance, equality, mutual advantage and mutual good faith. "The promotion of diversified economic forms and, at the same time, varied methods of operation represents China's long-term policy, as well as a necessity for socialist development," it says in the cited document, it being specified that, back at the 3d Plenum of the 11th Central Committee (1978), it was decided that openness to the outside world would be China's basic state policy on the

long term, a strategic measure for speeding up socialist modernization. "Action will be taken regarding the expansion of economic and technological exchanges and regarding cooperation with other countries, efforts will be made for success in the special economic zones, and the coastal cities will be opened up even more. The use of foreign funds and the attracting of foreign businessmen into joint enterprises, under joint administration, or exclusive investments in enterprises also constitute necessary and beneficial actions for China's socialist economy," the current plenum's decision points out.

"The reform in China's economic structure," the plenum's decision says at the end, "will have direct implications for the future of the country and for the vital interests of the millions and millions of workers, peasants and intellectuals. All comrades in the party must be in the front ranks of the reform." "All the important reforms that concern the whole country will be regulated by the State Council on the basis of a single plan. All the localities, departments and enterprises must be encouraged to initiate reforms with an exploratory and experimental character. But any reform that concerns the situation on the whole or involves a broader objective must be approved by the State Council."

"Along with carrying out the reform," it is pointed out in the plenum's decision, "we must strengthen the conducting of the whole process of consolidating the party, assuring ourselves that this consolidation is not a mere formality." In addition, the necessity of strengthening and affirming the spirit of discipline and maintaining a healthy internal party political life is noted.

In a speech given at the meeting of the committee charged with preparing the draft decision of the CCP Central Committee on the reform in the economic structure, Hu Yaobang, the secretary general of the CCP Central Committee, judged that, after the reform, prices will become more reasonable, economic activity will take place without very great difficulties, and the standard of living of the population will constantly be improved, along with the achievement of progress through the reform and with the continual growth of production. In closing, he expressed the determination to firmly follow the path of constructing socialism with a Chinese specific character, taking into account the national conditions.

12105  
CSO: 2700/44

ROMANIA

BRIEFS

REMOVAL OF DEPUTY MINISTER--The president of the Socialist Republic of Romania decrees that Comrade Ilarie Munteanu is relieved of his position as deputy minister of the machine-building industry. [Excerpt] [Bucharest BULETINUL OFICIAL in Romanian Part I No 80, 27 Oct 84 p 4]

END

CSO: 2700/46