

REPORT DOCUMENTATION PAGE

Form Approved
OMB NO. 0704-0188

Public Reporting burden for this collection of information is estimated to average 1 hour per response, including the time for reviewing instructions, searching existing data sources, gathering and maintaining the data needed, and completing and reviewing the collection of information. Send comment regarding this burden estimates or any other aspect of this collection of information, including suggestions for reducing this burden, to Washington Headquarters Services, Directorate for Information Operations and Reports, 1215 Jefferson Davis Highway, Suite 1204, Arlington, VA 22202-4302, and to the Office of Management and Budget, Paperwork Reduction Project (0704-0188.) Washington, DC 20503.

1. AGENCY USE ONLY (Leave Blank)		2. REPORT DATE 11/14/2000	3. REPORT TYPE AND DATES COVERED Final Report: 11/15/99-11/14/00	
4. TITLE AND SUBTITLE Dynamic Modeling and Flow Control Strategies for Rectangular Jets: Application of POD and Wavelet Analysis			5. FUNDING NUMBERS 6 AF-F49620-00-1-0013	
6. AUTHOR(S) Professor Flint O. Thomas				
7. PERFORMING ORGANIZATION NAME(S) AND ADDRESS(ES) Hessert Center for Aerospace Research, The University of Notre Dame, Notre Dame, IN 46556-5684			8. PERFORMING ORGANIZATION REPORT NUMBER 1	
9. SPONSORING / MONITORING AGENCY NAME(S) AND ADDRESS(ES) AFOSR/NA 801 N. Randolph St., Room 732 Arlington, VA 22203-1977			10. SPONSORING / MONITORING AGENCY REPORT NUMBER	
11. SUPPLEMENTARY NOTES The views, opinions and/or findings contained in this report are those of the author(s) and should not be construed as an official Department of the Army position, policy or decision, unless so designated by other documentation.				
12 a. DISTRIBUTION / AVAILABILITY STATEMENT Approved for public release; distribution unlimited.			12 b. DISTRIBUTION CODE	
13. ABSTRACT (Maximum 200 words) This research effort has as its objectives: the experimental characterization and low order modeling of the coherent structure dynamics of high Reynolds number rectangular jets of low and moderate aspect ratios via a joint application of the proper orthogonal decomposition (POD) and wavelet analysis techniques. This includes the extraction and characterization of the u, v, and w-component POD eigenfunctions and associated eigenvalues. The rectangular jet dynamics (embodied in the POD temporal coefficients) is obtained by projection of the POD eigenfunctions onto instantaneous realizations of the flow field. This projection is performed via wavelet analysis. Similarly, Galerkin projection of a truncated subset of the empirical eigenmodes onto the Navier-Stokes equations is used to develop a low-order dynamical systems model of the rectangular jet flow field. The validity of assumptions associated with the treatment of the truncated modes and their effect on the coherent structure is established by comparing the dynamic behavior resulting from the model ODE's with those from projection of POD modes onto the actual flow. The dynamical system model of the rectangular jet will be utilized for the establishment of rectangular jet flow control strategies. The flow control algorithm will be demonstrated via both the model and laboratory jet flows.				
14. SUBJECT TERMS Flow Control, Turbulent Jets			15. NUMBER OF PAGES 27	
			16. PRICE CODE	
17. SECURITY CLASSIFICATION OR REPORT UNCLASSIFIED	18. SECURITY CLASSIFICATION ON THIS PAGE UNCLASSIFIED	19. SECURITY CLASSIFICATION OF ABSTRACT UNCLASSIFIED	20. LIMITATION OF ABSTRACT UL	

NSN 7540-01-280-5500

Standard Form 298 (Rev.2-89)
Prescribed by ANSI Std. Z39-18
298-102

20010329 024

Dynamic Modeling and Flow Control Strategies for Rectangular Jets:
Application of POD and Wavelet Analysis

AFOSR Grant F49620-00-1-0013

Final Project Report

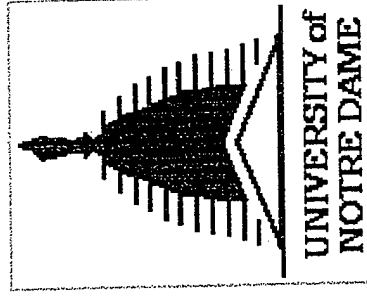
Flint O. Thomas
Hessert Center for Aerospace Research
University of Notre Dame
Notre Dame, IN 46556

**Dynamic Modeling and Flow Control Strategies for Rectangular Jets:
Application of POD and Wavelet Analysis**

AFOSR Grant F49620-00-1-0013

Start Date: November 15, 1999

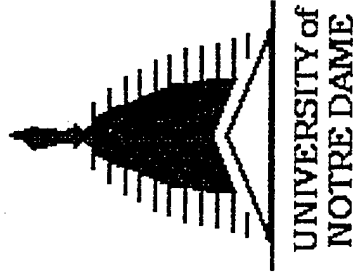
**Flint O. Thomas
Hessert Center for Aerospace Research
University of Notre Dame
Notre Dame, IN**



AFOSR Contractors' Meeting on Turbulence, 8/16/2000

Organization

- Motivation and Objectives
- Approach
- Experimental Results
- Modeling Results
- Plans for the Upcoming Year
- Questions / Discussion



Motivation

- It is widely recognized that coherent vortical structures in turbulent flows are important in processes such as *scalar and momentum transport, mixing and noise generation*.
- The routine use of the coherent structure concept in turbulence modeling and flow control strategies has not yet been realized.
- Several recent successes at addressing coherent structure topology and dynamics have been achieved by the joint application of the proper orthogonal decomposition (POD) and dynamical systems theory.

• Example “success stories”:

Near-wall region of turbulent boundary layer,

Aubry, N., Holmes, P., Lumley, J. L. and Stone, E., 1988

Asymptotic region of plane mixing layer

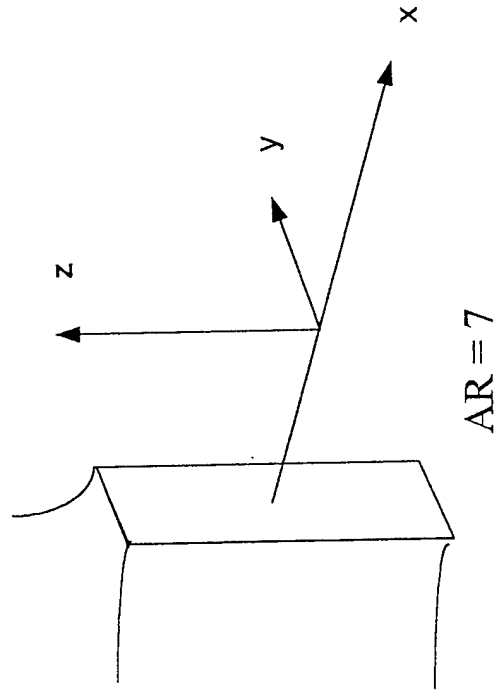
Ukeiley L. and Glauser, M. N. , 1995

Objectives

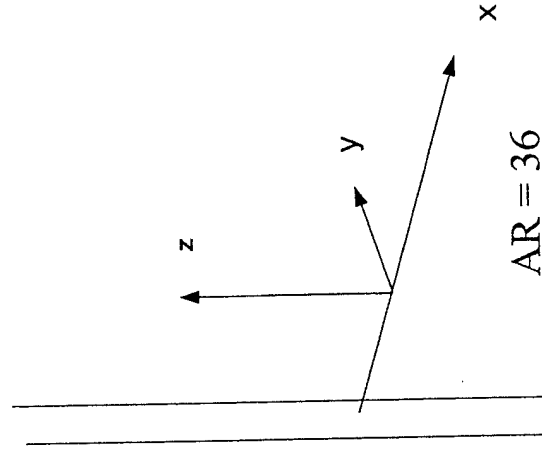
- The experimental characterization and low-order modeling of the coherent structure dynamics of rectangular jets of low and moderate aspect ratios via a joint application of POD and wavelet analysis.
(Rectangular jets are of interest from the standpoint of both thrust vectoring and low observables.)
- The resulting dynamical system model of the rectangular jet will be utilized for the establishment of rectangular jet flow control strategies.

Approach

- Perform initial year-one proof-of-concept experiments and modeling in the *far field of a planar jet*. These are considered prerequisite to the treatment of the more complex rectangular jet.



Two inhomogeneous spatial coordinates (y, z)

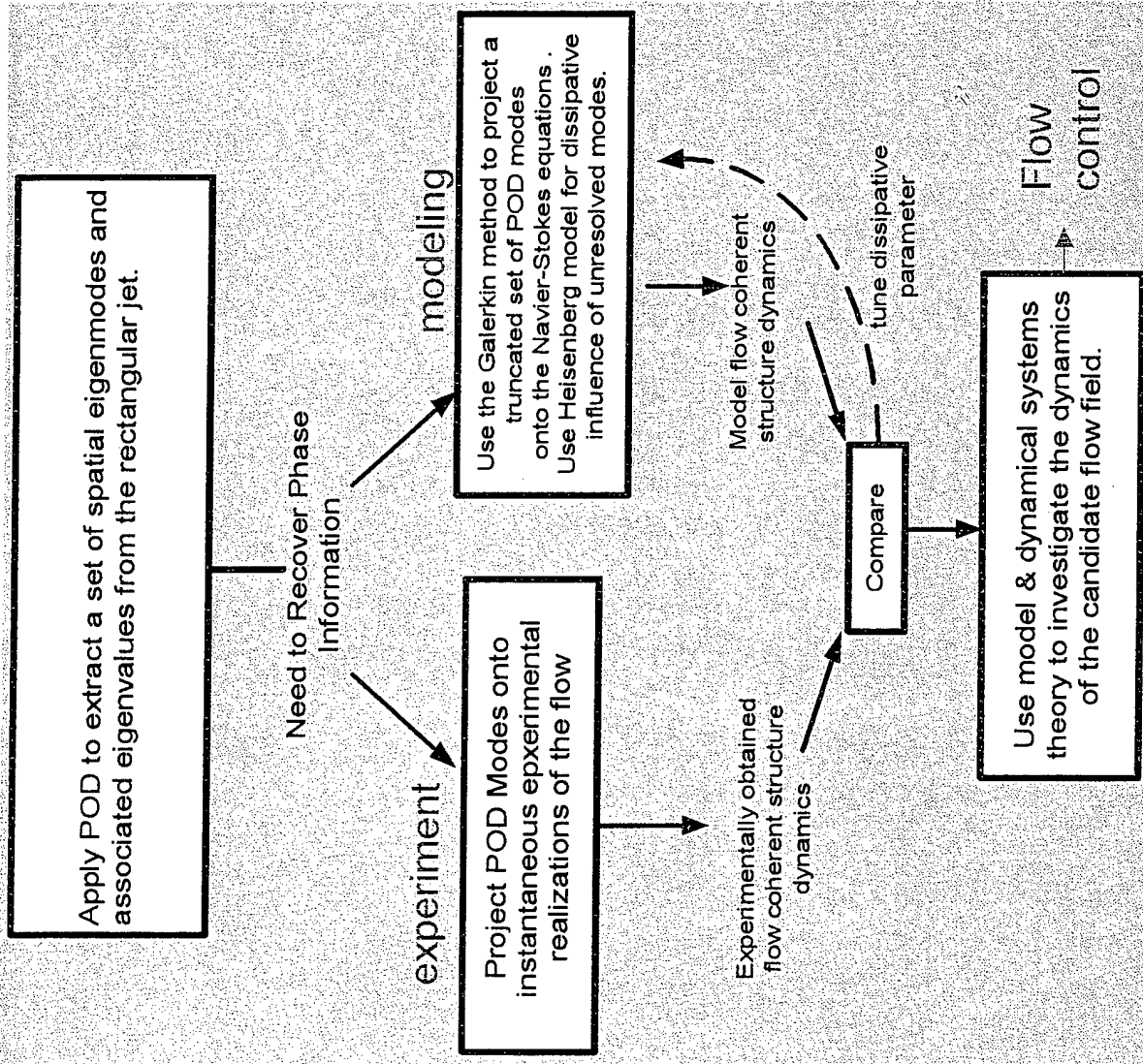


Single inhomogeneous spatial coordinate, y

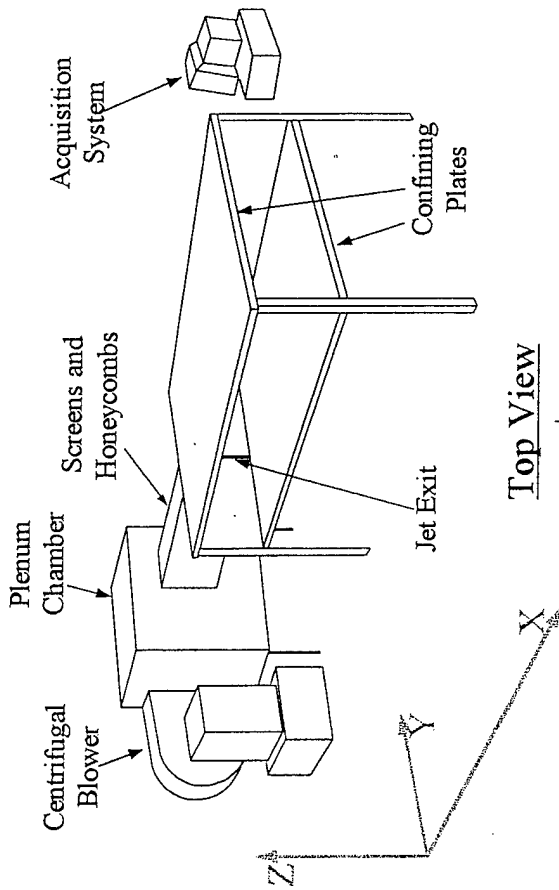
Approach

- The measurements were performed in the fully developed part of the flow ($50 \leq x / D \leq 90$) where visualization by injection of a tracer reveals no evidence of underlying coherent structure.
- *This made an ideal test case to investigate the potential of the method for extraction and modeling of flow structure in a complex environment.*
- Approach to be taken for the investigation of the rectangular jet is fundamentally similar to that which will be described for the proof-of-concept planar jet study.

Approach:

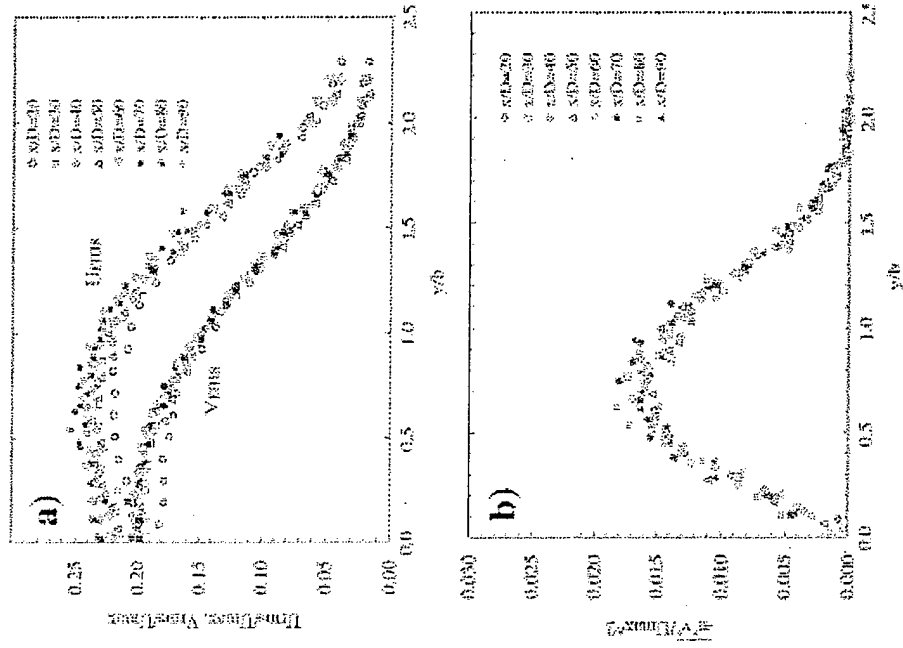
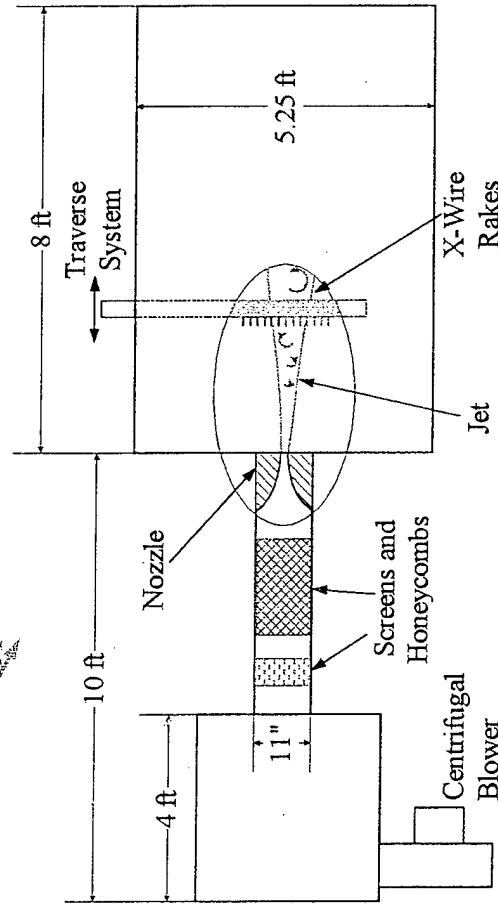


Planar Jet Flow Facility



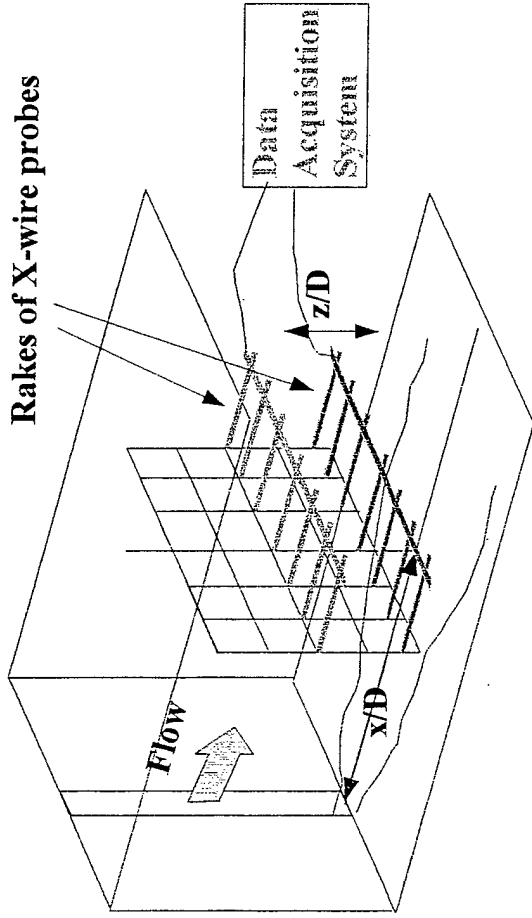
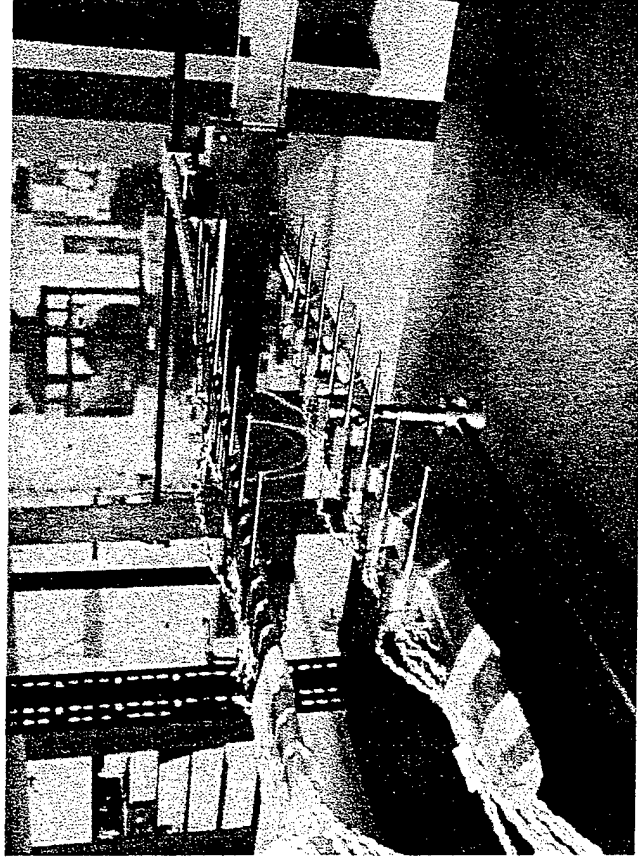
Nozzle width $D=0.5''$
 Nozzle exit aspect ratio 36:1
 Laminar nascent free shear layers
 Initial velocity = 35 m/sec
 $Re=28,000$

Top View



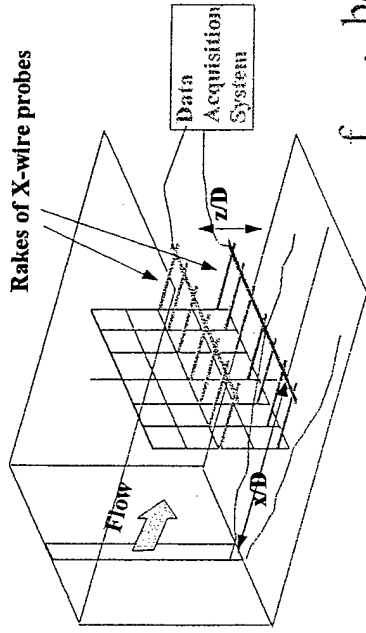
Flow exhibits self-similarity
 in second-order moments
 after $x/D=50$

Twin X-wire Rake Set-up



- 16 x-wire probes (32 sensors) mounted on two movable rakes.
- Spacing between probes - 2" (0.66b)
- Spacing between rakes - 15 positions in 0.75" (0.25b) increments.
- Blockage effect is demonstrated to be negligible.

Eigenmode Extraction



Instantaneous velocity components

$$u_\alpha(y, z, t)$$

FT in time (500 blocks of 1024 points each)

$$\hat{u}_\alpha(y, z, f) = \int u_\alpha(y, z, t) e^{-2\pi i f t} dt$$

$$f_{\text{sample}} b/U_m = 8.0$$

Spectral Correlation Matrix $S_{\alpha\beta}(y, y', \Delta z, f) = \langle \hat{u}_\alpha^*(y, z, f) \hat{u}_\beta(y', z + \Delta z, f) \rangle$

FT in z-direction (16 points)

$$\Phi_{\alpha\beta}(y, y'; f, k_z) = \int S_{\alpha\beta}(y, y', \Delta z, f) e^{-2\pi i k_z \Delta z} d(\Delta z)$$

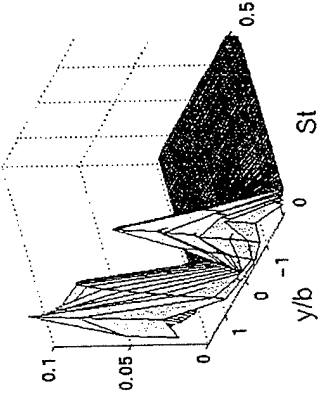
$$\int \Phi_{\alpha\beta}(y, y'; f, k_z) \varphi_\beta^{(n)}(y'; f, k_z) dy' = \lambda^{(n)}(f, k_z) \varphi_\alpha^{(n)}(y; f, k_z)$$

POD equation to find eigenvalues (energy) and eigenfunctions (spatial distribution) of the modes

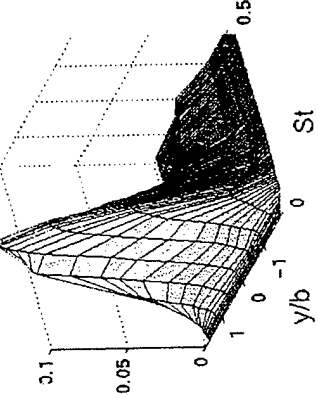
* Similar to the implementation of Ukeiley & Glauser (1995)

Example: First POD Mode ($x/D=70$)

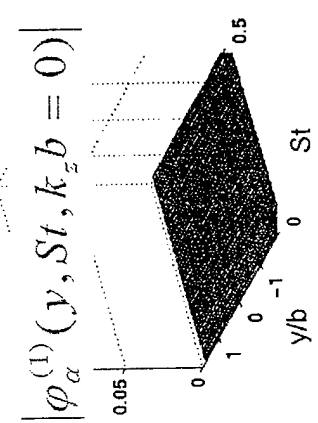
U-mode



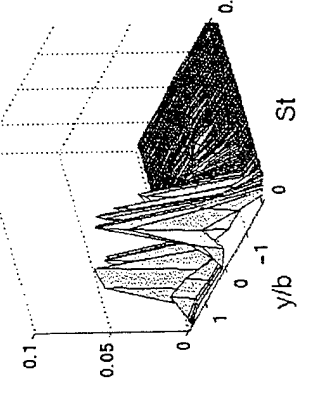
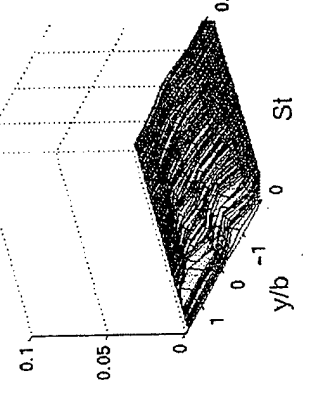
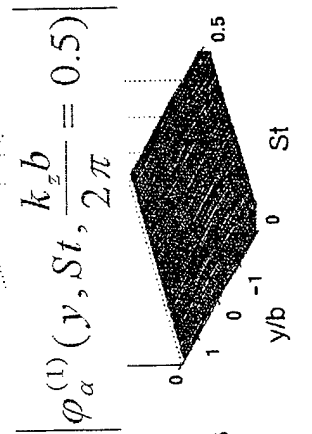
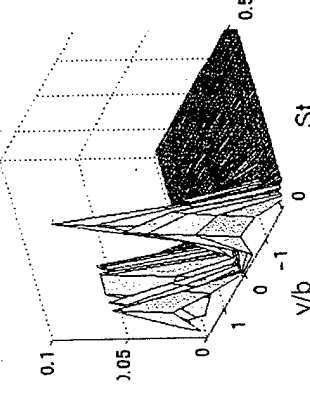
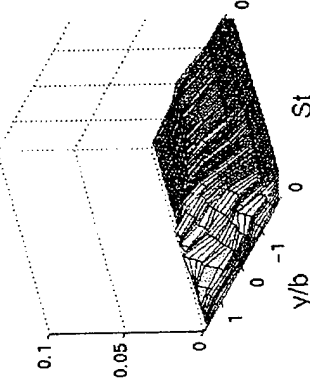
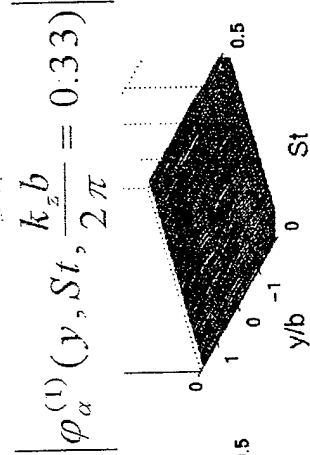
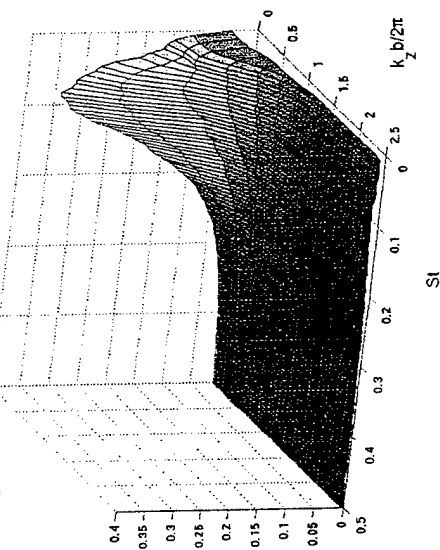
V-mode



W-mode

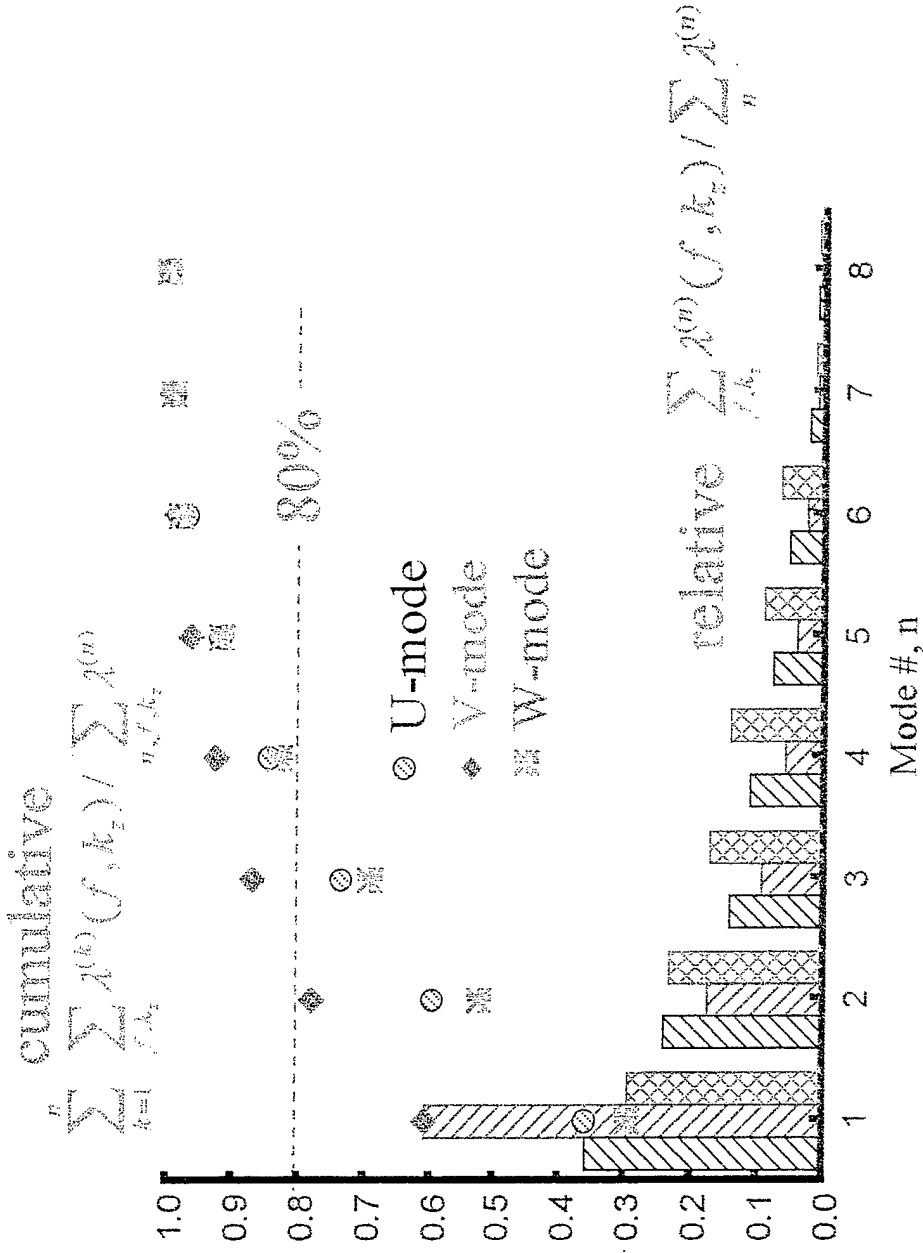


Eigenvalue: $\lambda^{(1)}(St, k_z b)$



• Details presented in Gordeyev and Thomas, *JFM*, 414, pp. 145-194, 2000

Energy Convergence



- Series converges rapidly; for example:
- 4 U-modes, 2 V-modes and 4 W-modes to capture over 80% of energy of their respective component.

Velocity Field Reconstruction via Wavelets

$$\int \Phi_{\alpha\beta}(y, y'; f, k_z) \varphi_{\beta}^{(n)}(y'; f, k_z) dy' = \lambda^{(n)}(f, k_z) \varphi_{\alpha}^{(n)}(y; f, k_z)$$

• Eigenmodes are known up to an arbitrary phase $\exp(i\sigma(f, k_z))$

Need to have instantaneous flow field realizations

$$\tilde{u}_{\alpha}(y; k_z, \kappa(f), \tau) = \sum_n c^{(n)}(\kappa(f), \tau; k_z) \varphi_{\alpha}^{(n)}(y; f, k_z) \quad \text{- Forward Wavelet}$$

unknown phases

From orthogonality of the modes

$$c^{(n)}(k_z, \kappa(f), \tau) = \int \tilde{u}_{\alpha}(y; k_z, \kappa(f), \tau) \varphi_{\alpha}^{(n)*}(y; f, k_z) dy$$

Reconstruction of the individual mode

$$\tilde{u}_{\alpha}^{(n)}(y; k_z, \kappa(f), \tau) = c^{(n)}(\kappa(f), \tau, k_z) \varphi_{\alpha}^{(n)}(y; f, k_z)$$

↪ Inverse Wavelet ↪

Structures in physical space $u_{\alpha}^{(n)}(y, k_z, t)$

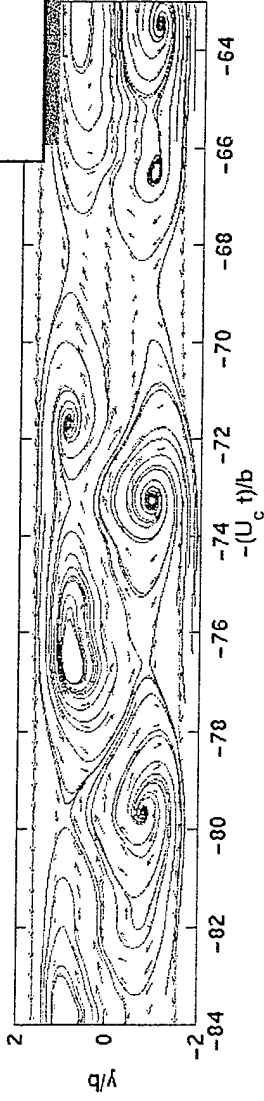
$$u_{\alpha}(y, k_z, t) = \sum_n u_{\alpha}^{(n)}(y, k_z, t)$$

Need to perform FT in z-direction
Measurements with 3 rakes minimum
With 2 rakes - $k_z=0$ only

Velocity Reconstruction (planar mode)

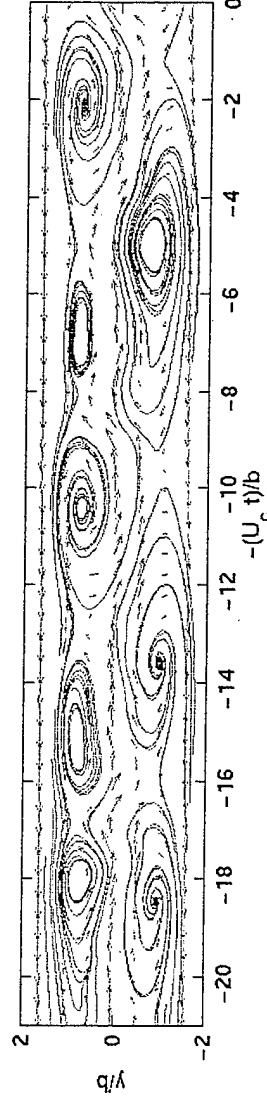
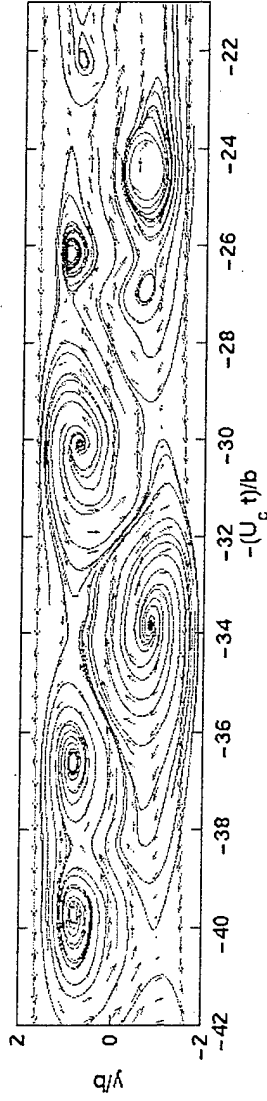
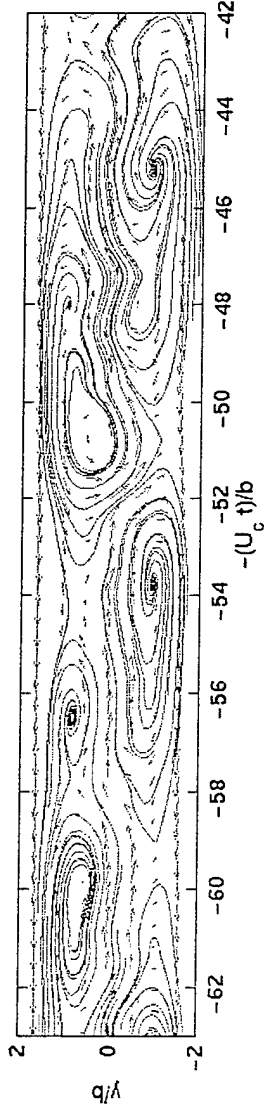
$x/D=70$

$$\bar{U}_1(y) + \sum_n u_\alpha^{(n)}(y, k_x b = 0, -U_c t)$$



First 3 planar POD modes

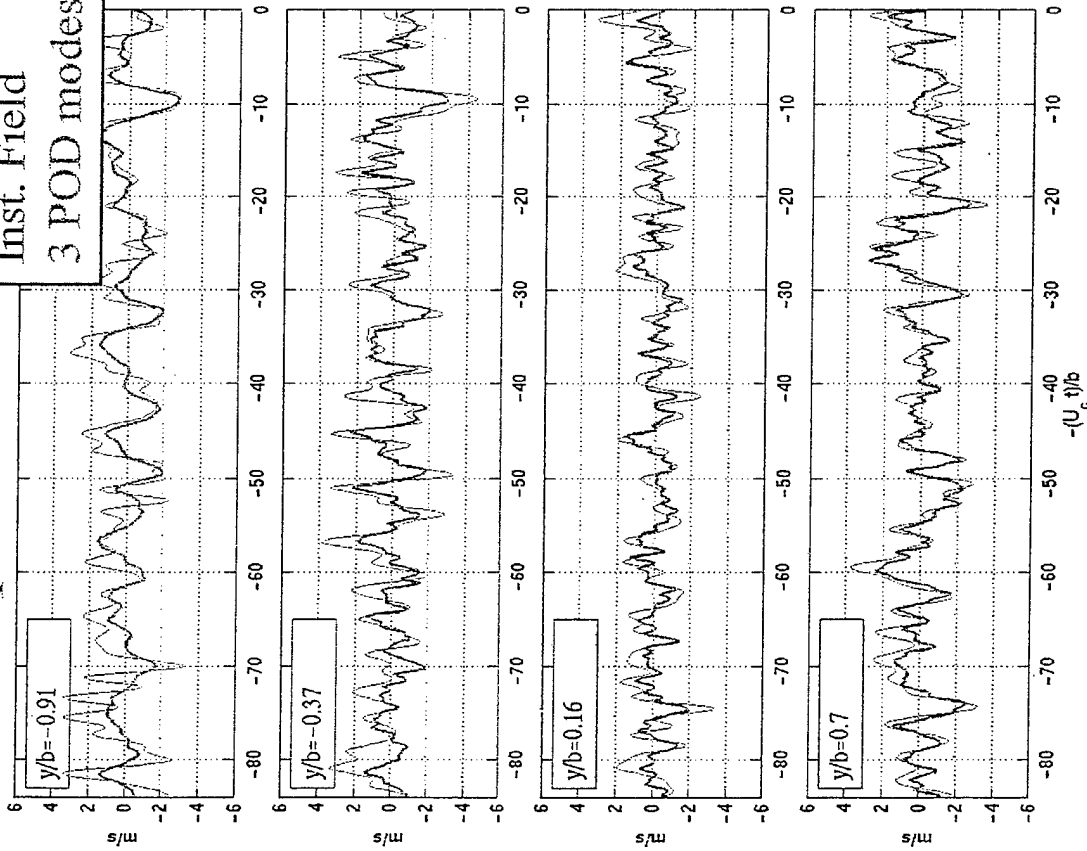
- Strong evidence of spanwise vortical structures arranged asymmetrically with respect to the jet axis.
- Karman street like organization.
- Weakly intermittent appearance.



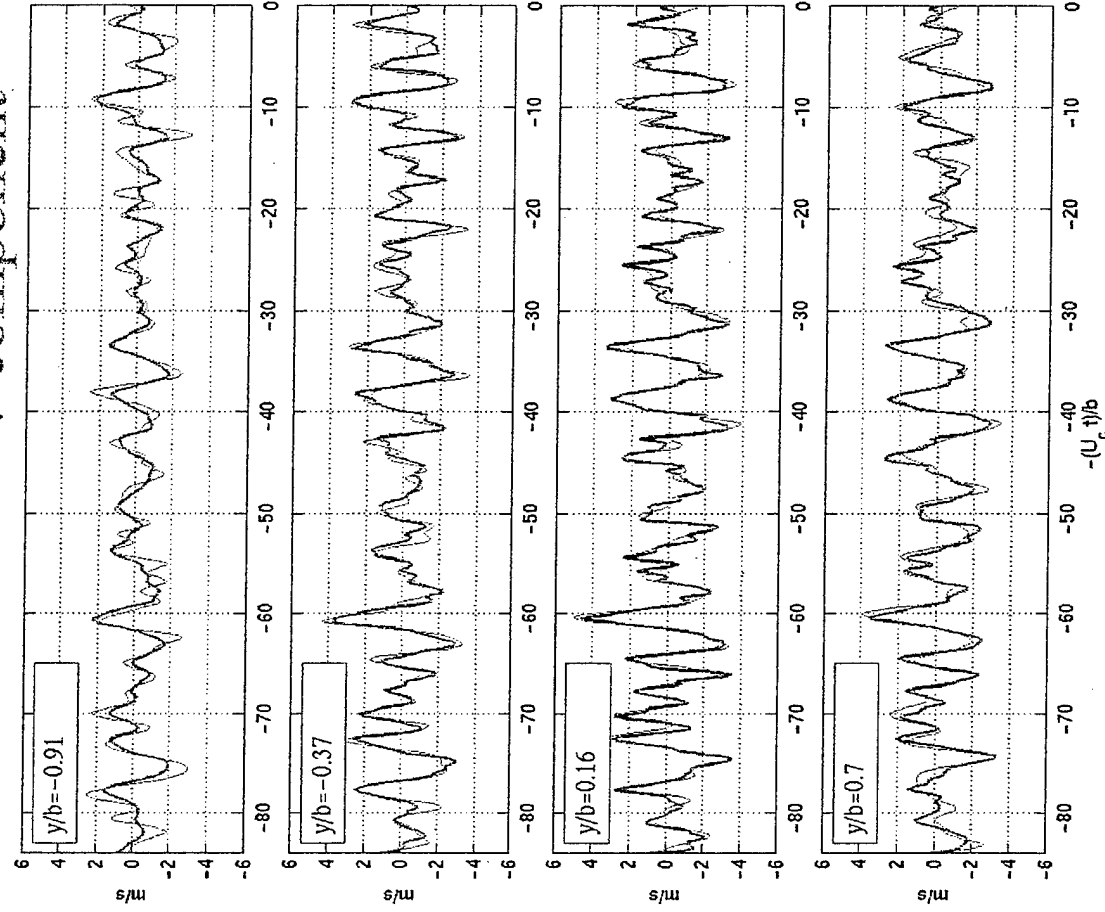
Sample Velocity Traces

u-component

Inst. Field
3 POD modes

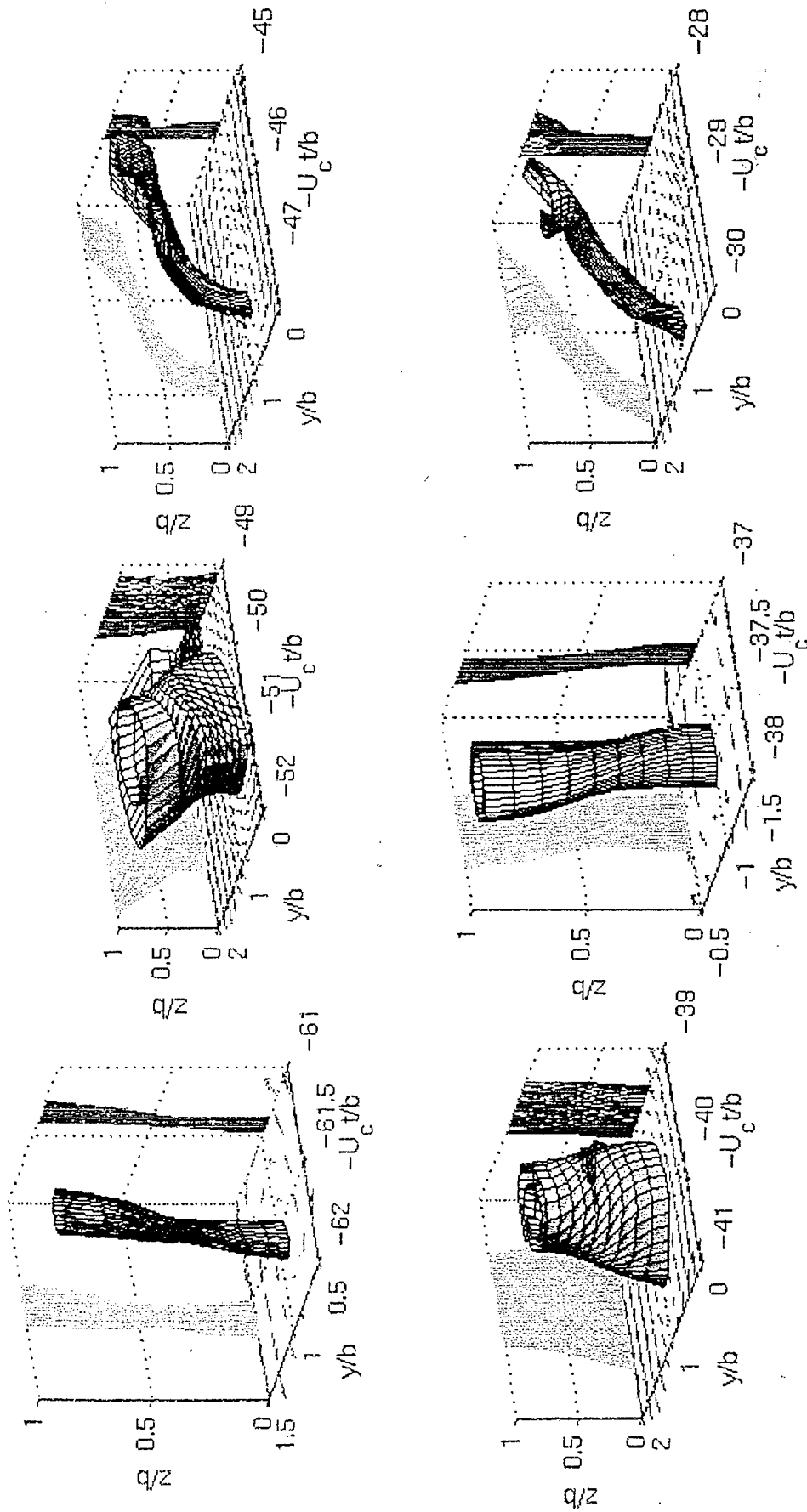


v-component



- First 3 POD modes capture velocity signals quite well.

Reconstruction of non-planar structure



- Effect of non-planar modes is to tilt and bend the spanwise vortices in the crossstream and streamwise direction
- Non-planar modes appear to present a small disturbance to a dominant planar structure

Galerkin Projection and Truncation

Governing Equations: $L(u) = \frac{\partial u}{\partial t} + L(u) + Q(u, u) = 0$

Truncation: $u^N(\bar{x}, t) = \sum_{n=1}^N a_n(t) \varphi_n(\bar{x})$ ← from experiment

Require, $(L(u^N) \cdot \varphi_n) = 0$

Finally, $\frac{da_n}{dt} = Ba_n + Q(a_n, a_n) + C(a_n, a_n, a_n)$

production interaction
dissipation between
convection modes

interaction
between modes and
mean flow

• Need to take into account energy transfer between resolved modes and unresolved turbulence (simple eddy viscosity model)

dissipation rate $\sim \nu + \alpha \nu_T$

Aubry, Holmes, Lumley, Stone, 1988 - boundary layer

Zheng, Glauser, 1991 - round jet

Ukeiley, Glauser, 1995 - planar shear layer

Modeling Approach

$\varphi_\alpha^{(n)} = \varphi_\alpha^{(n)}(y, k_x, k_z)$ - obtained from the experiment

Key Assumptions:

• Homogeneous flow in x -direction, $\bar{U}_1 = \bar{U}_1(y)$

$t \rightarrow x = -U_c t, \quad \varphi(y, f, k_z) \rightarrow \varphi(y, -k_x, k_z)$

• $U_c = 0.7 U_M = \text{const}$

• $U_2 = U_3 = 0$

• $n=1$ - first POD mode only

• no feedback between mean flow and resolved modes

Symmetry Conditions

$$\varphi_{u,v}^{(n)}(y, k_x, k_z) = \varphi_{u,v}^{(n)*}(y, -k_x, k_z),$$

$$\varphi_w^{(n)}(y, k_x, k_z) = -\varphi_w^{(n)*}(y, -k_x, k_z)$$

$$a^{(n)}(t, y, k_x, k_z) = a^{(n)*}(t, y, -k_x, k_z)$$

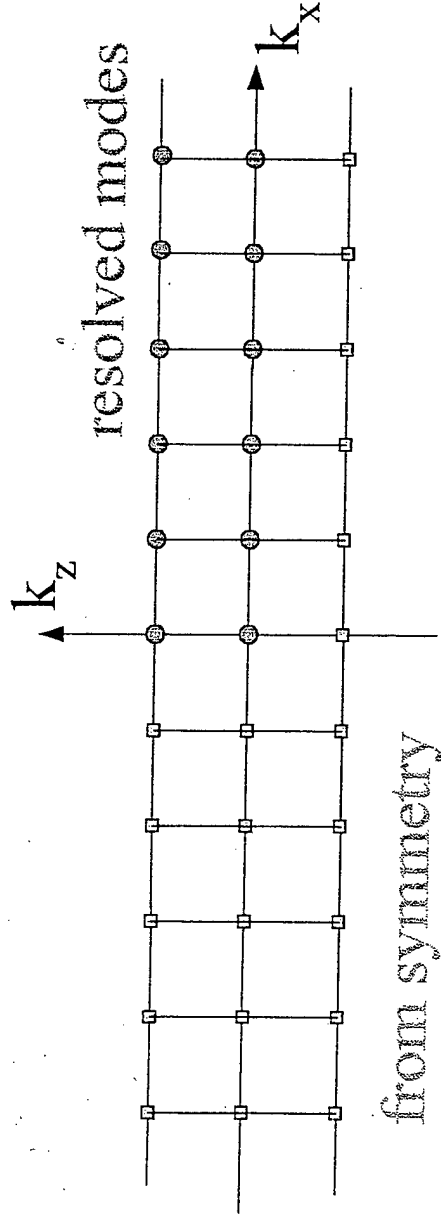
$$\varphi_{u,v}^{(n)}(y, k_x, k_z) = \varphi_{u,v}^{(n)}(y, k_x, -k_z),$$

$$\varphi_w^{(n)}(y, k_x, k_z) = -\varphi_w^{(n)}(y, k_x, -k_z)$$

$$a^{(n)}(t, y, k_x, k_z) = a^{(n)}(t, y, k_x, -k_z)$$

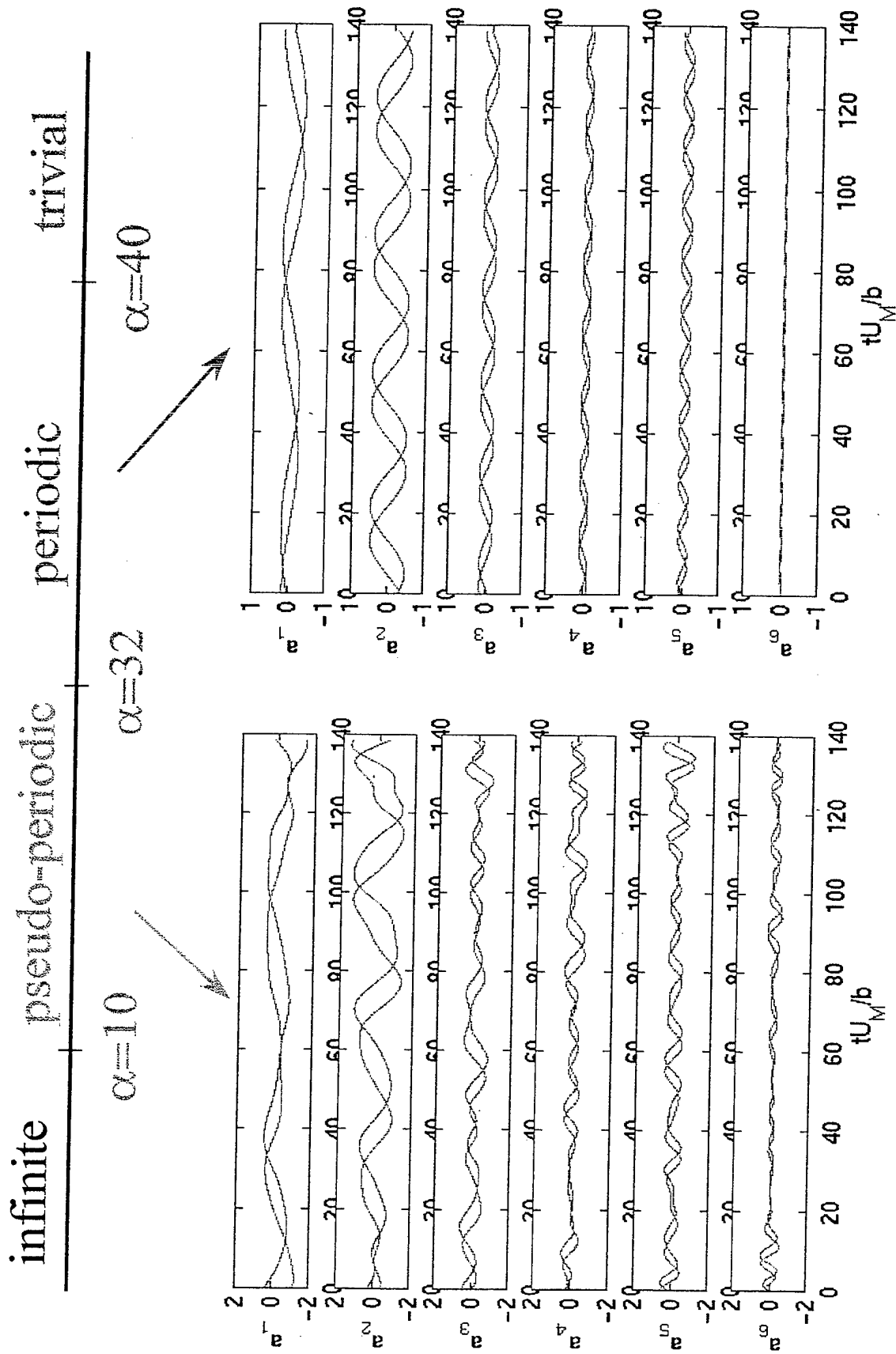
- translation in x-direction

- reflection in z-direction



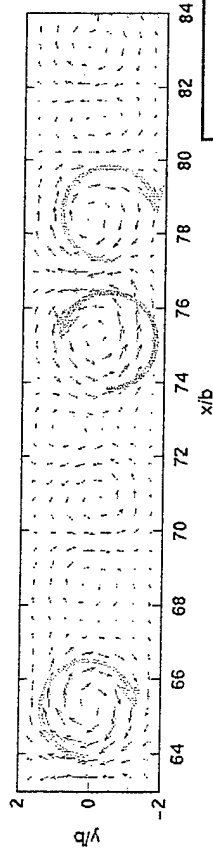
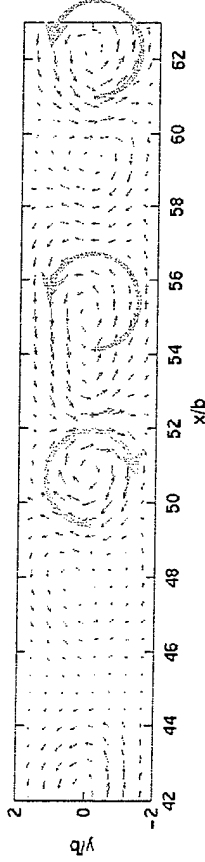
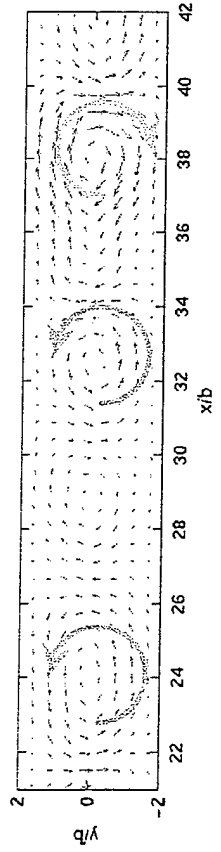
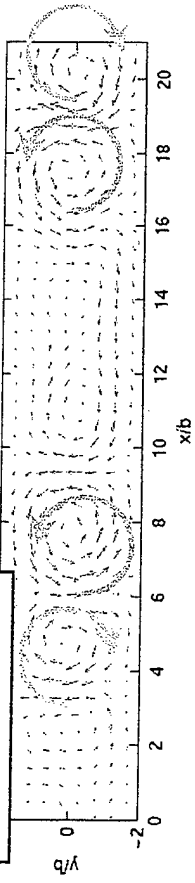
of equations = 2 x 1 x 50

Model behavior versus α



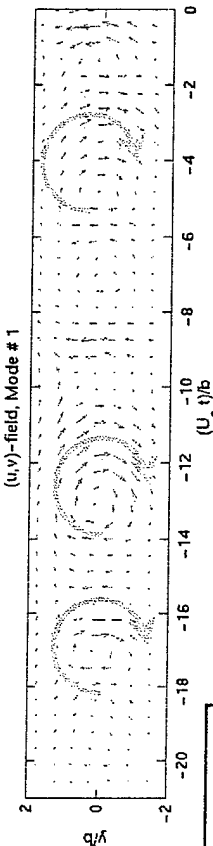
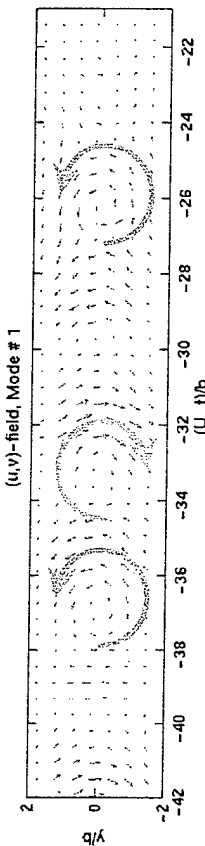
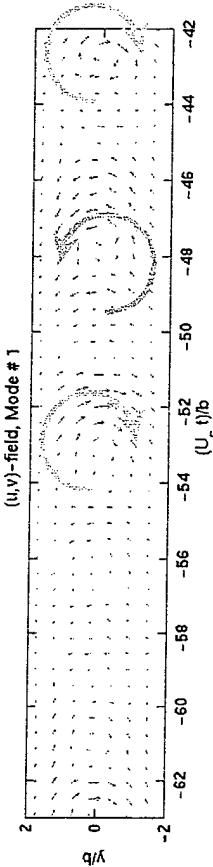
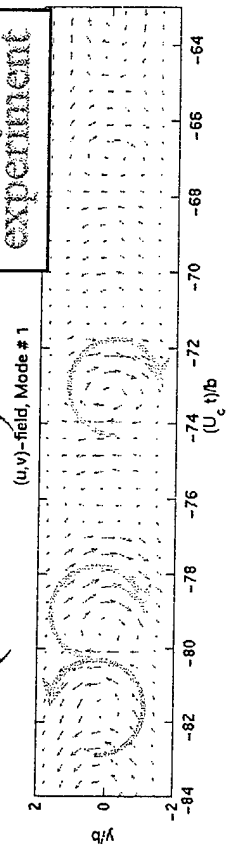
Reconstructed flow (model)

model, $\alpha=15$



first POD mode

experiment



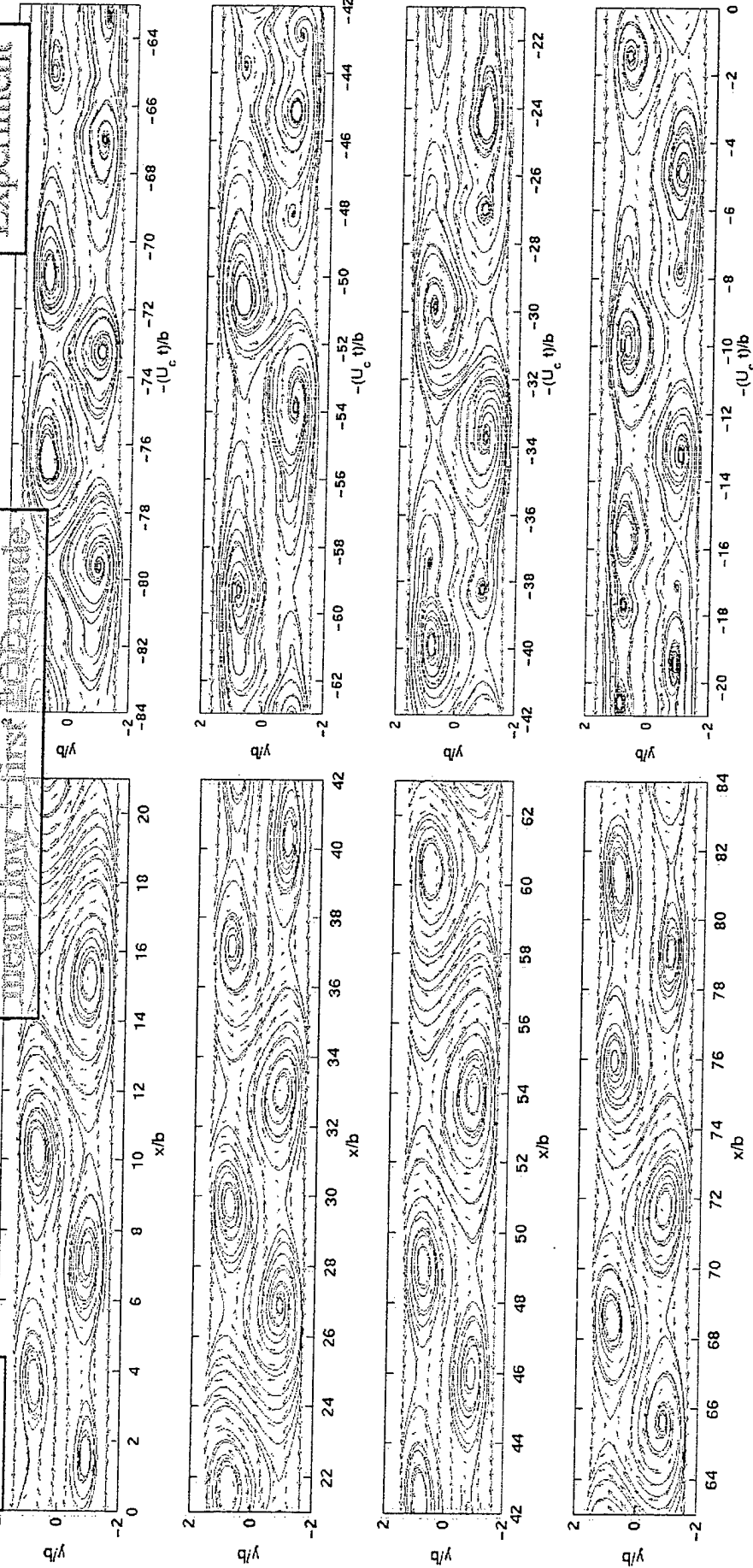
- Pseudo-periodic regime agrees very well with experimentally observed topology of large-scale coherent structures in the jet.
- Model correctly predicts lateral sweeping motions, as well as the typical size, spacing and locations of vortical structures

Reconstructed flow (model)

Model

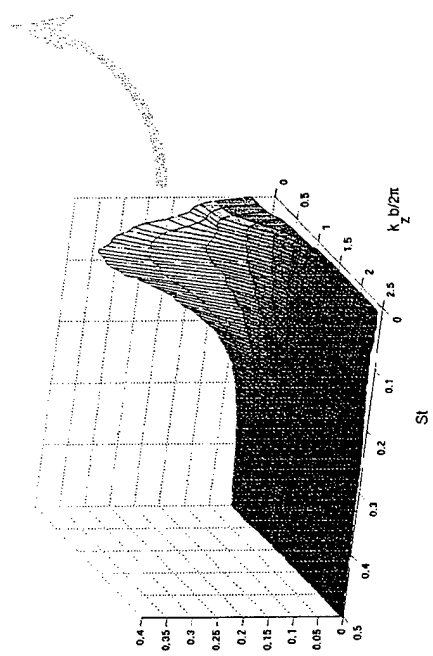
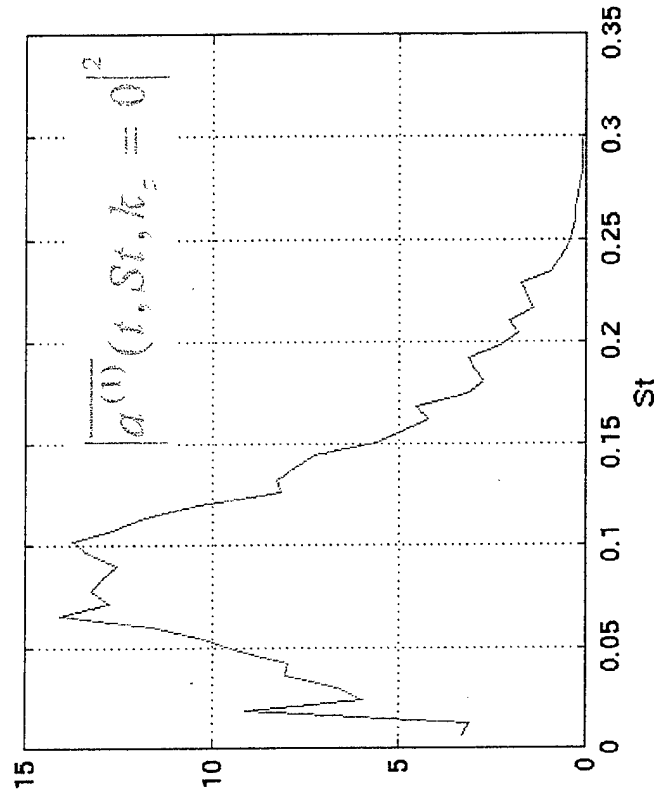
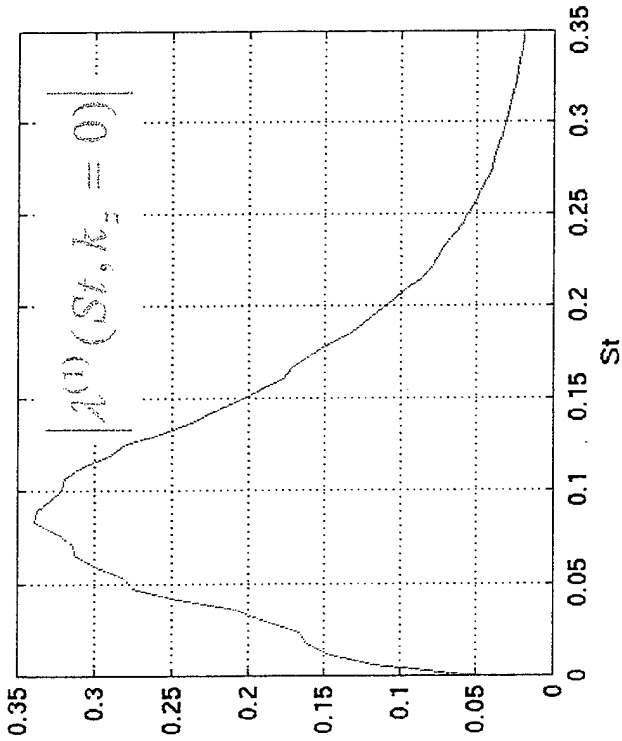
Reconstructed flow (model)

Experiment



- Pseudo-periodic regime agrees very well with experimentally observed topology of large-scale coherent structures in the jet
- Model correctly predicts lateral sweeping motions, as well as the typical size, spacing and locations of vortical structures
- Agreement between model and experiment - weak interaction between mean flow and structures

Spectrum Recovery



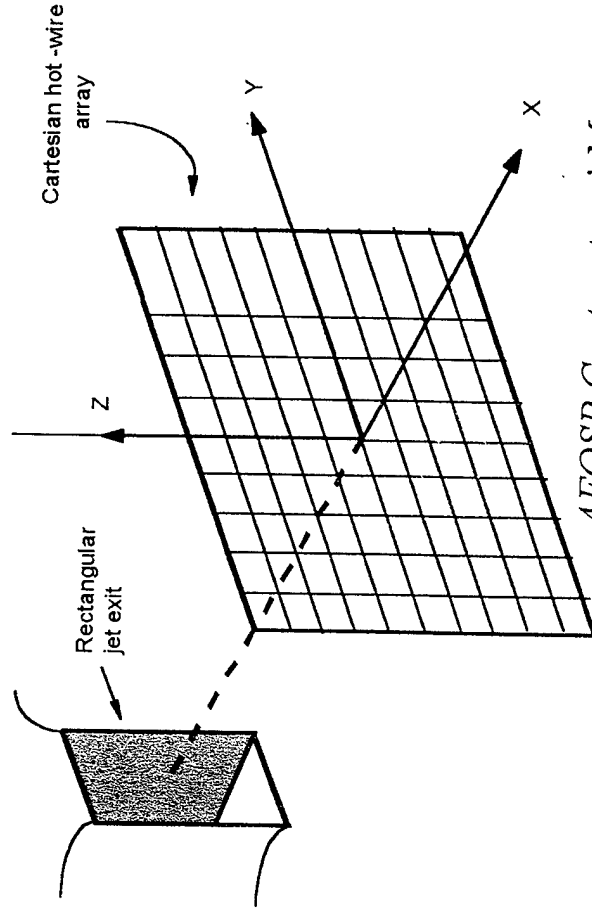
• Model correctly recovers the shape of the spectrum

Project Status

- Proof-of-concept experimental implementation of POD and low-order modeling of the self-similar planar turbulent jet has nearly been completed.
- Results show great promise for incorporating coherent structure dynamics in models of complex turbulent flows (like the rectangular jet of interest here).
- Presently working on the incorporation of nonplanar modes (first results obtained last week).
- Similar methodology to be applied to the AR=7 rectangular jet next.

Project Status

- Rectangular jet nozzle fabricated.
- Initial hot-wire surveys at $Re = 50,000$ now underway.
- Measurements to obtain the POD eigenfunctions $\varphi_{\alpha}^{(n)}(y, z, St)$ will commence soon.



AFOSR Contractors' Meeting on Turbulence, 8/16/2000