

REPORT DOCUMENTATION PAGE

AFRL-SR-BL-TR-01-

Public reporting burden for this collection of information is estimated to average 1 hour per response, including gathering and maintaining the data needed, and completing and reviewing the collection of information. See collection of information, including suggestions for reducing this burden, to Washington Headquarters Service, Paperwork Project, Suite 1204, Arlington, VA 22202-4302, and to the Office of Management and Budget, Paperwork Project, Suite 1204, Arlington, VA 22202-4302.

copies of this report

0470

1. AGENCY USE ONLY (Leave blank)		2. REPORT DATE 28 AUGUST 2001	3. REPORT TYPE AND DATES COVERED FINAL 01 MAR 98 TO 28 AUG 01
4. TITLE AND SUBTITLE Develop and Demonstrate Real-Time Wavelet Based Automatic Target Recognition Using Sonar and Synthetic Aperture Radar (SAR) Data			5. FUNDING NUMBERS F49620-97-1-0465
6. AUTHOR(S) Dr. Paul Haley			
7. PERFORMING ORGANIZATION NAME(S) AND ADDRESS(ES) Electronic Sensors and Systems Sector Northrup Grumman Corporation Post Office Box 17319 Baltimore, MD 21203			
9. SPONSORING/MONITORING AGENCY NAME(S) AND ADDRESS(ES) AFOSR/NM 801 N. Randolph Street Room 732 Arlington, VA 22203-1977			10. SPONSORING/MONITORING AGENCY REPORT NUMBER F49620-98-C-0017
11. SUPPLEMENTARY NOTES			
12a. DISTRIBUTION AVAILABILITY STATEMENT			
<p>AIR FORCE OFFICE OF SCIENTIFIC RESEARCH (AFOSR) NOTICE OF TRANSMITTAL DTIC. THIS TECHNICAL REPORT HAS BEEN REVIEWED AND IS APPROVED FOR PUBLIC RELEASE LAW AFR 190-12. DISTRIBUTION IS UNLIMITED.</p>			
13. ABSTRACT (Maximum 200 words) The DARPA project, "Develop and Demonstrate Real-Time Wavelet Based Automatic Target Recognition Using Sonar and Synthetic Aperture Radar (SAR) Data" was initiated March 30, 1998 with a kick-off meeting attended by personnel from Rice University CML, Northrup Gramman ESSD and DARPA DSO. The overall goal is the transition of DARPA sponsored university research into a fielded systems demonstration using a liaison between a university and an industrial partner familiar with the specific defense application. In the first year of this contract Northrup Grumman obtained and applied Rice CML's wavelet-based compression/expansion algorithms to sonar and SAR data collected for automatic target recognition. Also Northrup Grumman sent Rice CML sonar data collected for automatic target recognition. Also Northrup Grumman sent Rice CML's sonar data sets and references to MSTAR data sets for use in the development of wavelet-based detection techniques. In the second year Northrup Grumman retained its ATR algorithms for use on compressed data and also evaluated denoising and segmentation algorithms based on Hidden Markov Trees (HMT) defined on wavelet coefficients. These HMT technologies were developed by Rice CML during the first year of the contract. In the third year Northrup Grumman made ready a demonstration of wavelet based compression/expansion on Global Hawk SAR data running in real time using the Real Time ATR (RT-ATR) Lab at the DARPA Technology Integration Center (TIC) in Arlington, VA. Also available for demonstration is the wavelet-based Rice developed denoising algorithms.			
14. SUBJECT TERMS			15. NUMBER OF PAGES 4
			16. PRICE CODE
17. SECURITY CLASSIFICATION OF REPORT	18. SECURITY CLASSIFICATION OF THIS PAGE	19. SECURITY CLASSIFICATION OF ABSTRACT	20. LIMITATION OF ABSTRACT

20011005 141

Final Report Year 3

**Develop and Demonstrate Real-Time Wavelet Based
Automatic Target Recognition Using Sonar and
Synthetic Aperture Radar (SAR) Data
Contract No. F49620-98-C-0017**

**Prepared for DARPA/DSO
By
Northrop Grumman ES - STC
August 28, 2001**

Table of Contents

1. Introduction.....	1
2. Milestones	1
3. Description of Work Completed over Third Year	2
4. Summary and Conclusions	5
5. Reference.....	6

List of Tables

Table 1. Completed Milestones.....	1
------------------------------------	---

List of Figures

Figure 1; Processing Stream for Demonstration of Wavelet Based Compression / Expansion and Denoising.....	2
Figure 2. Computer Communication Architecture at the RT_ATR Lab	3
Figure 3. Wavelet-based denoising of sidescan sonar image	3
Figure 4. Vehicles Used for Wavelet SAR Image Compression ATR Study	4
Figure 5. Representative SAR Images of Vehicles Used	4
Figure 6. Matrix of CODEC SAR Target Imagery	5

1. Introduction

The DARPA project, "Develop and Demonstrate Real-Time Wavelet Based Automatic Target Recognition Using Sonar and Synthetic Aperture Radar (SAR) Data" was initiated March 30, 1998 with a kick-off meeting attended by personnel from Rice University CML, Northrop Grumman ESSD and DARPA DSO. The overall goal is the transition of DARPA sponsored university research into a fielded systems demonstration using a liaison between a university and an industrial partner familiar with the specific defense application. In the first year of this contract Northrop Grumman obtained and applied Rice CML's wavelet-based compression/expansion algorithms to sonar and SAR data collected for automatic target recognition. Also Northrop Grumman sent Rice CML sonar data sets and references to MSTAR data sets for use in the development of wavelet-based detection techniques. In the second year Northrop Grumman retrained its ATR algorithms for use on compressed data and also evaluated denoising and segmentation algorithms based on Hidden Markov Trees (HMT) defined on wavelet coefficients. These HMT technologies were developed by Rice CML during the first year of the contract. In the third year Northrop Grumman made ready a demonstration of wavelet based compression/expansion on Global Hawk SAR data running in real time using the Real Time ATR (RT-ATR) Lab at the DARPA Technology Integration Center (TIC) in Arlington, VA. Also available for demonstration is the wavelet-based Rice developed denoising algorithms.

2. Milestones

The third year of the contract concentrated on the demonstration of wavelet based companding and wavelet based denoising on SAR imagery for use with AR algorithms. All milestones and tasks schedules for the third year were completed as shown in Table 1.

Milestones	Scheduled Completion	Completed
1. Optimized Companding, ATR effective and recommended	3-3-2000	9-1-2000
2. Progress Report No. 3 delivered	9-1-2000	9-1-2000
3. Algorithms/SW ready for DOD application/demonstration	9-1-2000	8-1-2001
4. Third Year Technical & Invention Report delivered (note: A six month no-cost extension was requested from and granted by sponsor 3-8-2001)	5-31-2001	8-28-2001

Table 1. Completed Milestones

When in the third year of the contract it was realized that due to a staffing shortage certain milestone dates would not be met a six month no-cost extension was requested from the sponsor and was granted by the sponsor in the early part of March, 2001.

3. Description of Work Completed over Third Year

Figure 1 diagrams the primary software modules prepared for the demonstration made ready at the RT-ATR Lab, Figure 2, where Global Hawk data is used to demonstrate the effects of compression/expansion and denoising on SAR ATR performance. Although initial work on compression/expansion studies on ATR performance used Rice's wavelet-based compander, a JPEG-2000 wavelet-based compression/expansion algorithm was chosen for the real time demonstration since the C compiled code runs much faster than the MATLAB based Rice code. Two UNIX shell scripts were written; the first to strip the header from a reference file and format the data for the JPEG-2000 code and the second to re-attach the header and re-format the reconstructed image data as NITF. Operating on a 40 megabyte image, the total process runs in about 2 minutes on a single SGI machine at the RT-ATR Lab.

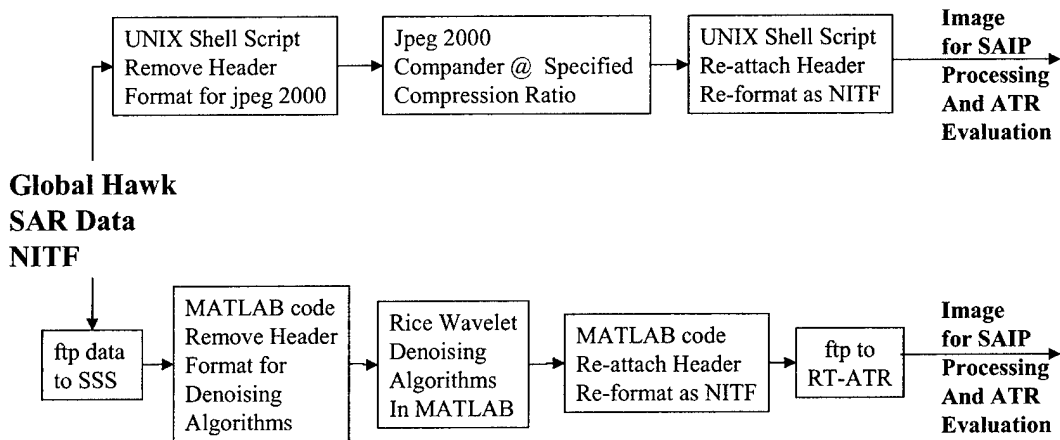
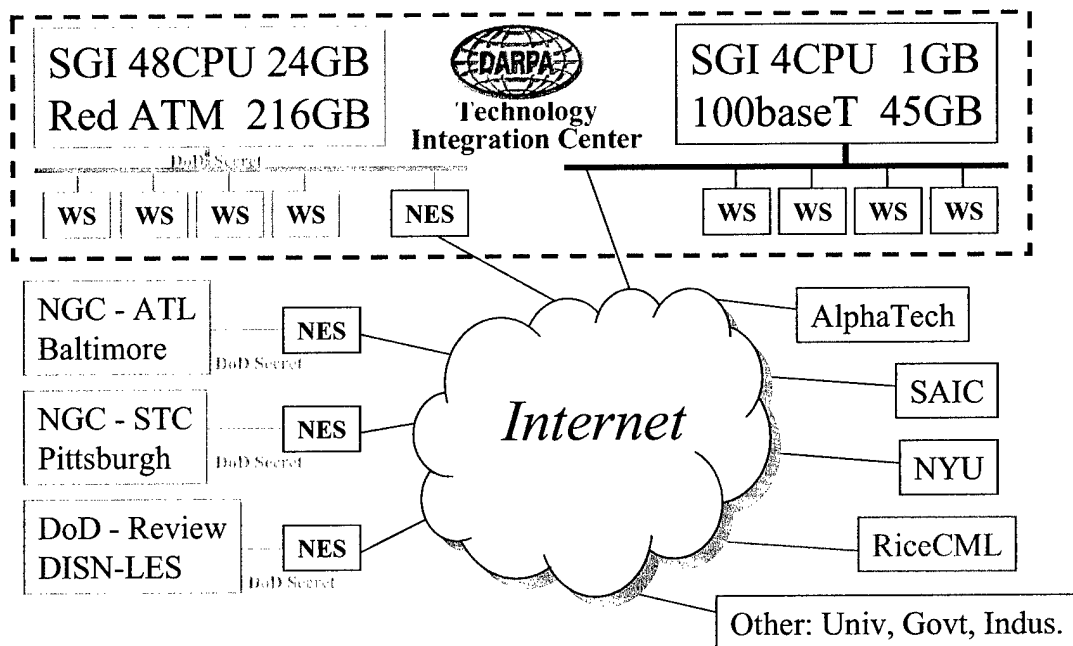


Figure 1; Processing Stream for Demonstration of Wavelet Based Compression / Expansion and Denoising

The second available demonstration uses wavelet-based denoising algorithms coded in MATLAB. Similar modules were written to format the data for the MATLAB code and then reformat it as NITF data. Data was ftp'd to the SAIP Surrogate System (SSS) facility (in Baltimore) to an SGI machine having MATLAB, where 40 megabyte images could be processed in about 30 minutes. The denoised images were then sent back to the RT-ATR Lab for ATR performance evaluation. A classified report, reference 5.1, is available on the results of these studies. An unclassified example of the denoising algorithms run on sonar data is shown in Figure 3. Also, examples of unclassified targets and Global Hawk SAR imagery, on which compression/expansion was run, are shown in Figures 4, 5 and 6.



<u>SystemSW</u>	<u>AppSW</u>	<u>Remote</u>	<u>Security</u>
SGI	SAIP	Internet	Media
Solaris	MSTAR	http, https	NES, KG
NT	MatLab	ftp/pwd	Accounts
Clearcase	Wavelet	S/MIME	Physical

Figure 2. Computer Communication Architecture at the RT_ATR Lab

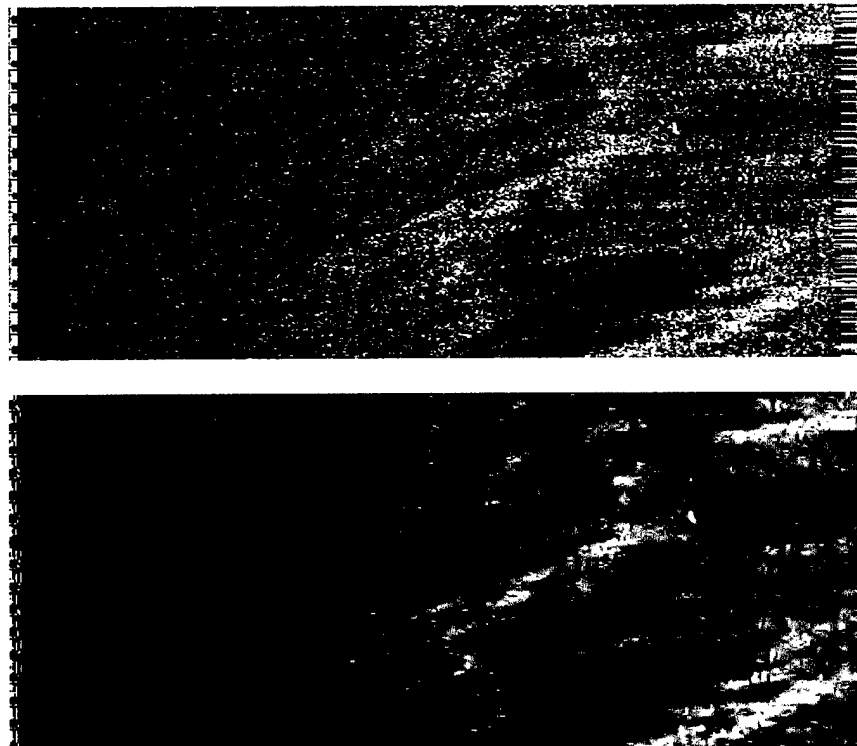


Figure 3. Wavelet-based denoising of sidescan sonar image

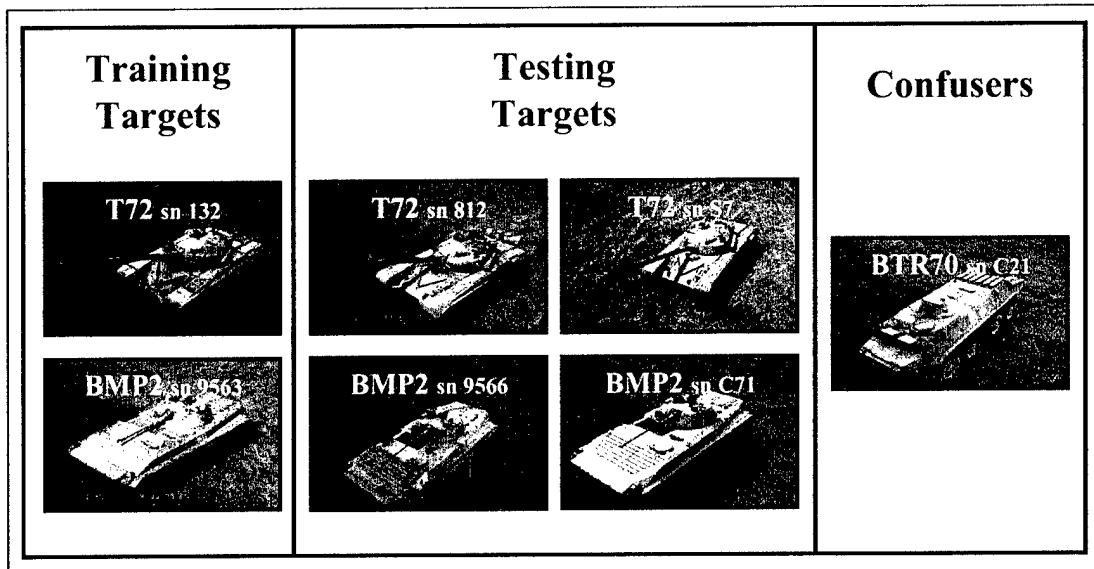


Figure 4. Vehicles Used for Wavelet SAR Image Compression ATR Study

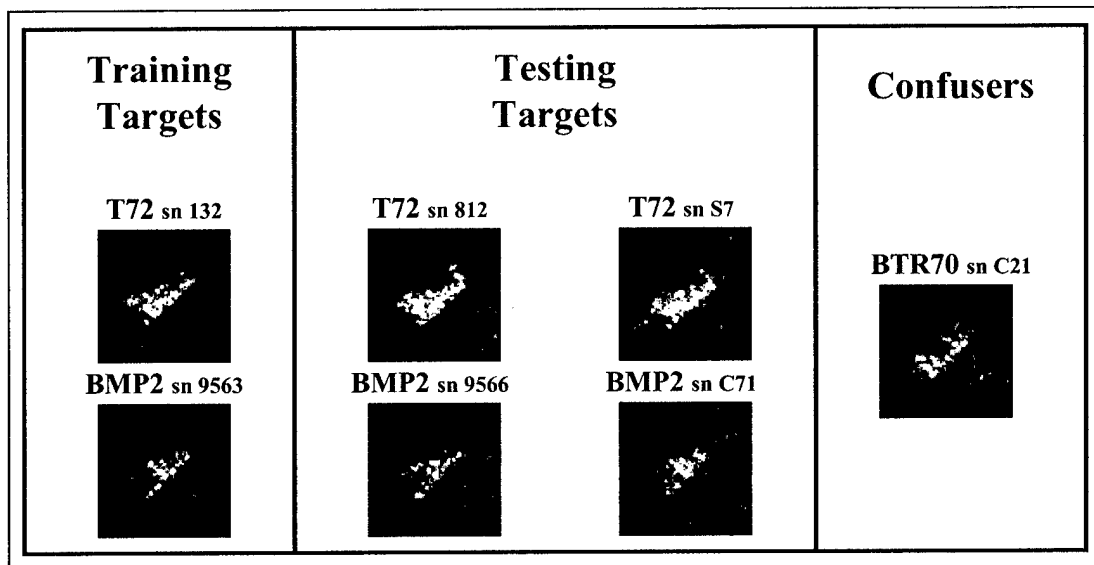


Figure 5. Representative SAR Images of Vehicles Used

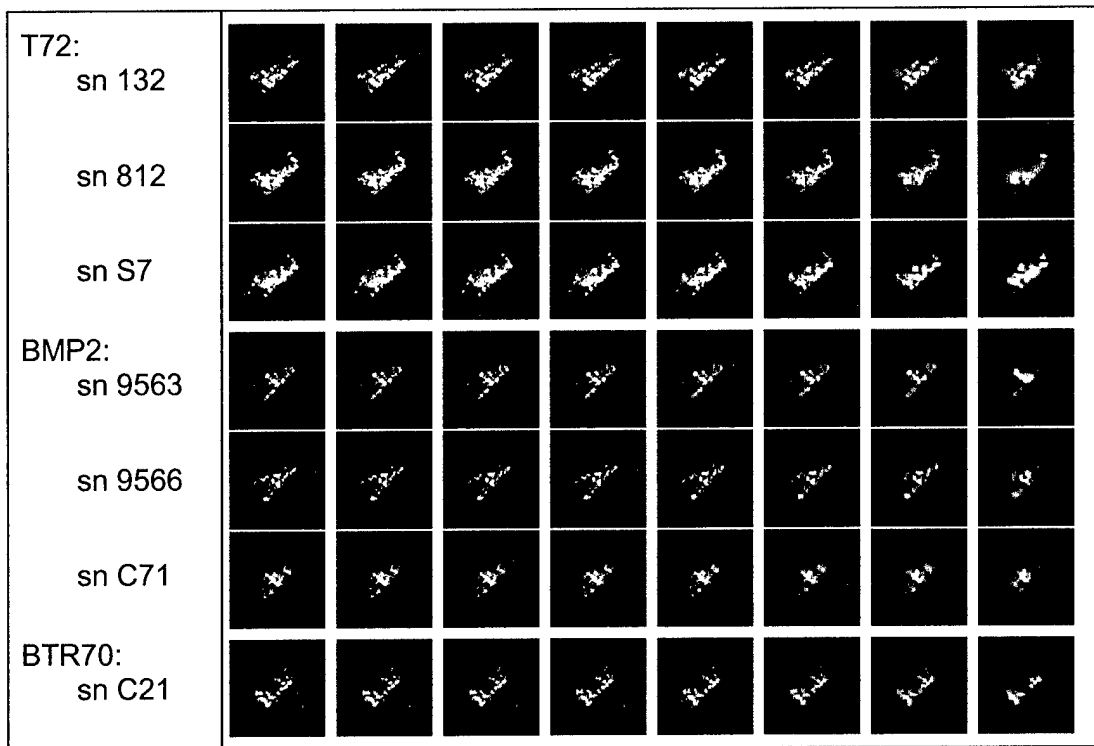


Figure 6. Matrix of CODEC SAR Target Imagery

4. Summary and Conclusions

The current year's effort demonstrated real time compression/expansion of SAR data. Although the SAIP processed ATR results are classified, earlier work on this contract in previous years using unclassified data showed that both SAR ATR for military vehicles and sonar ATR for mine-hunting could tolerate compression ratios up to 64:1.

Although funding only permitted the compander to be implemented as a real time demonstration, denoising which shares much of the same algorithms complexity could easily be implemented in compiled code to run in real time.

As a result of knowledge and expertise gained on this contract in liaison with Rice University, Northrop Grumman has:

1. Upgraded the US Navy's AN/AQS-14A Search Sonar System using real time compression of 16:1 for transmission of sonar data over an HF radio link.
2. Proved the feasibility of wavelet-based compression and expansion of 2D image data for use in ATR systems.
3. Gained knowledge in the use of Hidden Markov Models employing Hidden Markov Trees for 2D image segmentation.
4. Started development of wavelet-based structured de-cluttering of sonar images.
5. Started development of wavelet-based blind segmentation of 2D images without using tessellations.
6. Developed working relation with Computational Mathematics Laboratory (CML) personnel of Rice University

5. Reference

1. Dr. Andrew Miklich, "Final DARPA Wavelet Report Year 3 – Addendum" 2001, Contract No. F49620-98-C-0017, Northrop Grumman internal report.