

PRECISION REMOTES, INC.



TRAP T-2 SYSTEMS

(Patents and Trademarks pending)



Report Documentation Page

Report Date 13Aug2001	Report Type N/A	Dates Covered (from... to) -
Title and Subtitle TRAP T-2 Systems	Contract Number	
	Grant Number	
	Program Element Number	
Author(s)	Project Number	
	Task Number	
	Work Unit Number	
Performing Organization Name(s) and Address(es) Precision Remotes, Inc.	Performing Organization Report Number	
Sponsoring/Monitoring Agency Name(s) and Address(es) NDIA (National Defense Industrial Association) 211 Wilson Blvd, STE. 400 Arlington, VA 22201-3061	Sponsor/Monitor's Acronym(s)	
	Sponsor/Monitor's Report Number(s)	
Distribution/Availability Statement Approved for public release, distribution unlimited		
Supplementary Notes Proceedings from the 2001 Joint Services Small Arms Symposium, Exhibition & Firing Demonstration 13-16 August 2001 Sponsored by NDIA, The original document contains color images.		
Abstract		
Subject Terms		
Report Classification unclassified	Classification of this page unclassified	
Classification of Abstract unclassified	Limitation of Abstract UU	
Number of Pages 19		

TRAP ENABLES ADVANCED REMOTE OPERATION, INDIVIDUAL OR NETWORKED, FOR:

SURVEILLANCE
OPTICS

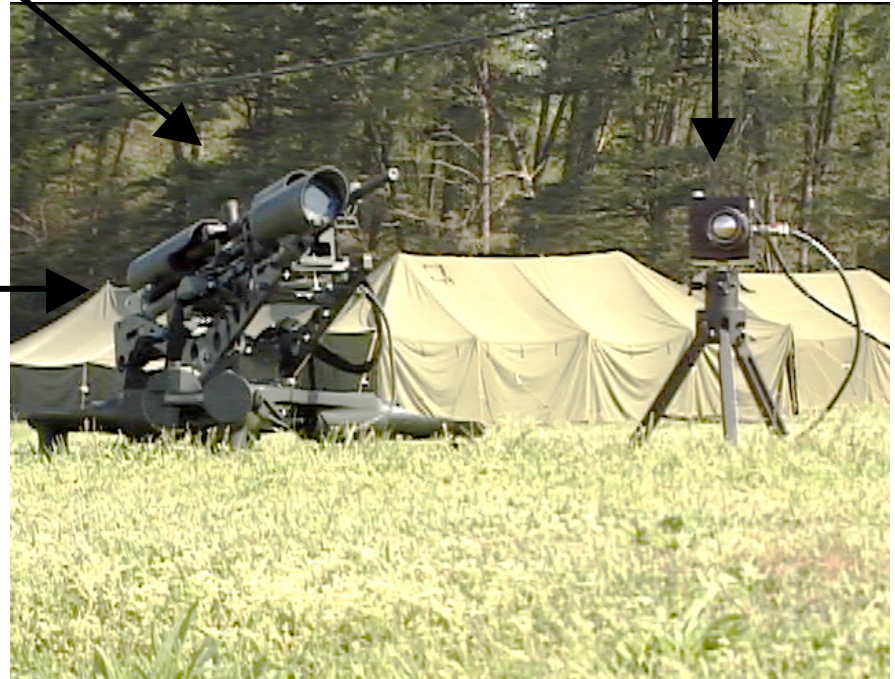
SENSORS

LIGHT WEAPONS

(up to 7.62 mm)
(.50 cal available with T-250)

NON-LETHAL

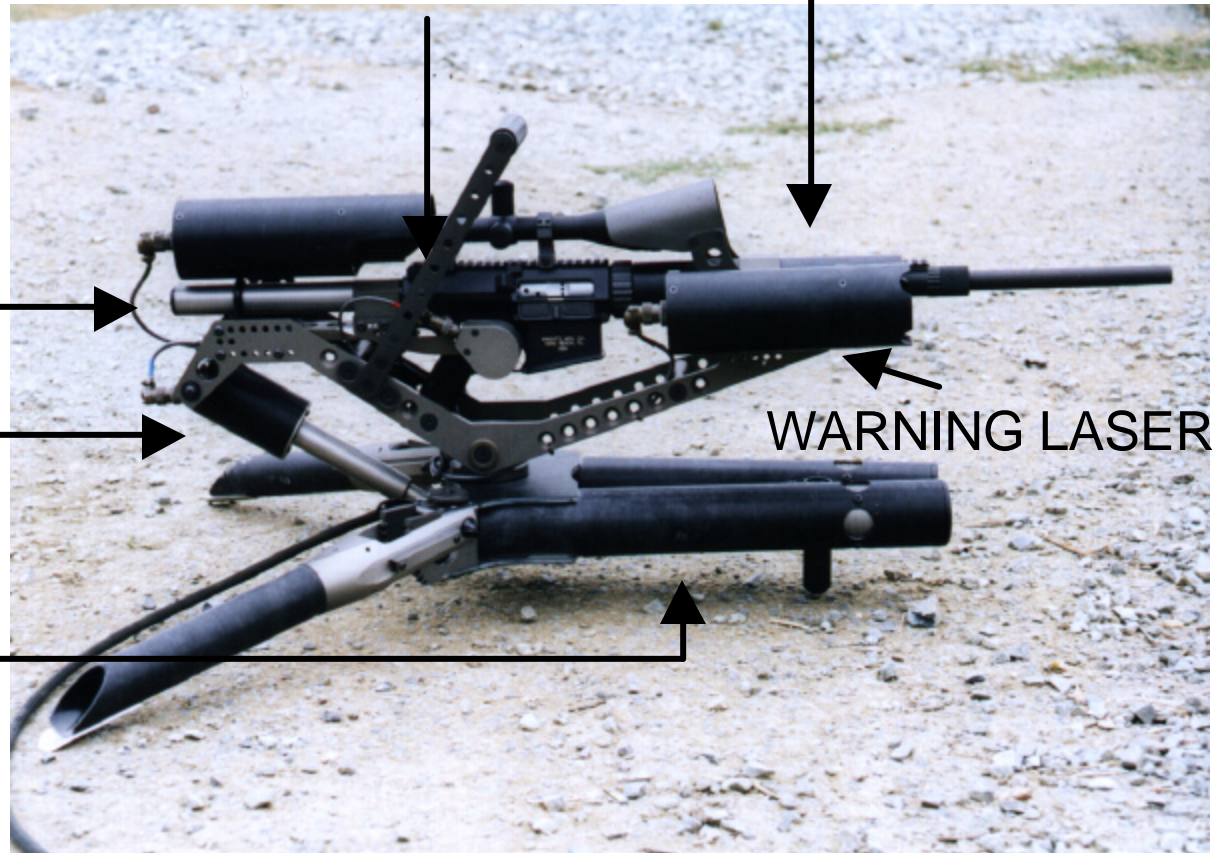
Laser Warning Devices, etc.



TRAP T-2 REMOTE UNIT

Typically Equipped for Mobile Operations

SIGHTING SYSTEM SURVEILLANCE CAMERA



WEAPON

ELEVATION
ACTUATOR

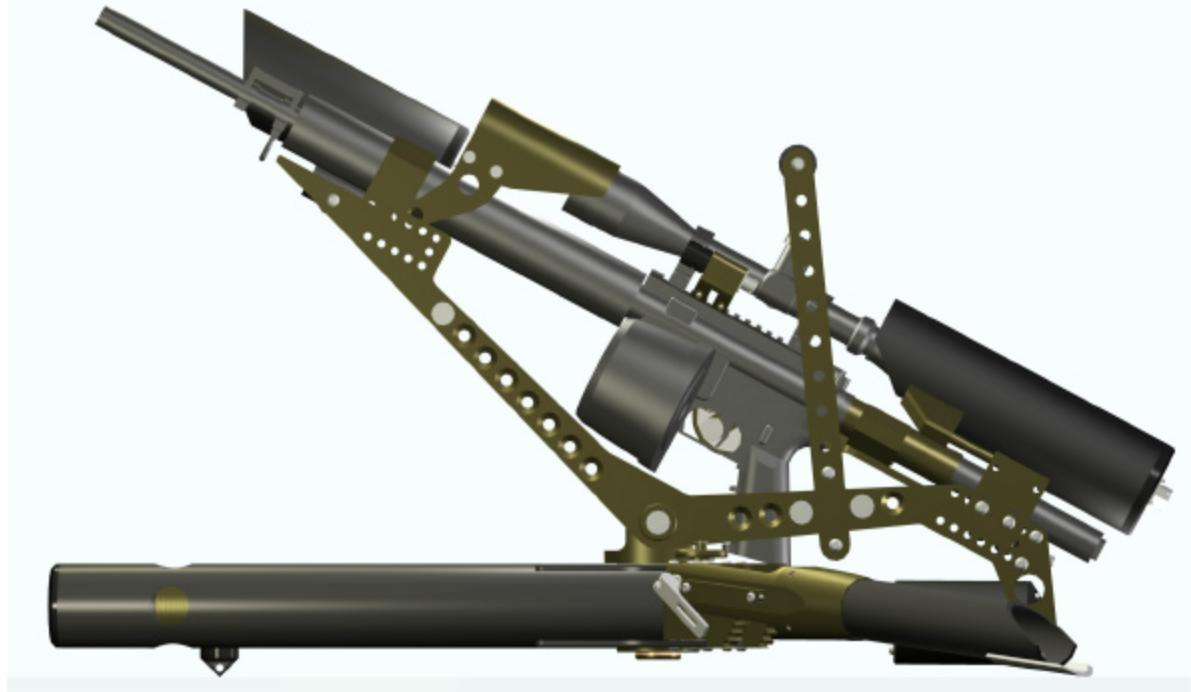
AZIMUTH
ACTUATOR

WARNING LASER





TRAP = **T**ELEPRESENT
RAPID
AIMING
PLATFORM





TELEPRESENCE

= REMOTE CONTROL
+ SENSORY FEEDBACK

- ❑ SUPERIOR SKILLS
- ❑ ZERO ERROR
- ❑ HUMAN FIRING
ERROR ELIMINATED





TRAP SYSTEM is both a:

MOBILE
INDIVIDUAL
SYSTEM →

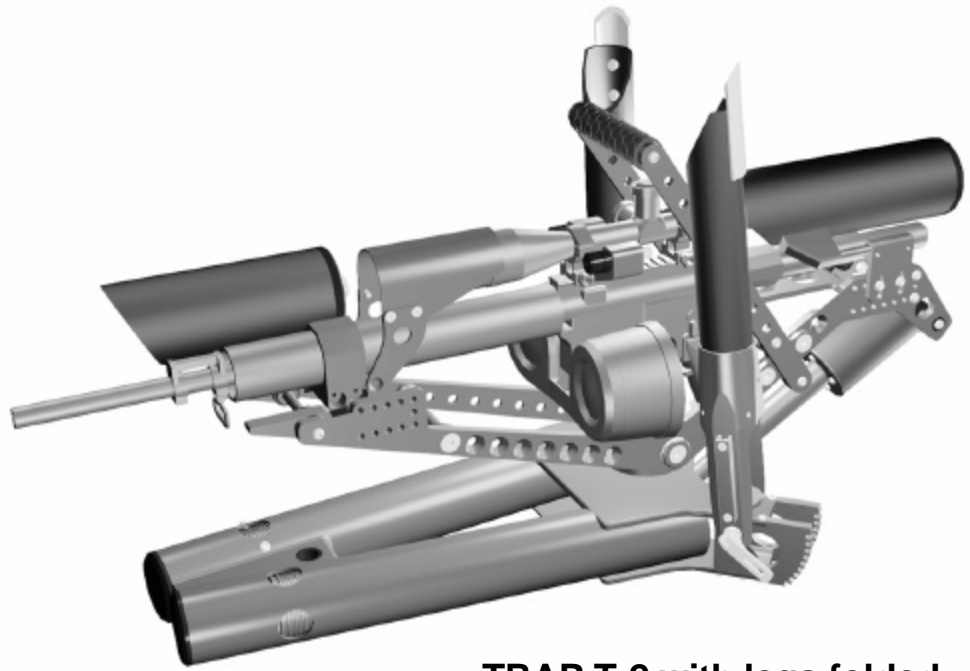


and / or a

←
MULTIPLE
NETWORKED
SYSTEM



TRAP T-2 INDIVIDUAL LIGHTWEIGHT (MOBILE) SYSTEM



TRAP T-2 with legs folded
Weight: 22 lbs (10 kg) + weapon, etc.
Shown with 100 round magazine

T-2 INDIVIDUAL SYSTEM

HAND CONTROL & VIEWER



BACKPACK
CONTROL
UNIT

T-2 REMOTE UNIT



FAST DEPLOYMENT FOR ONE OR TWO MAN TEAMS



FOR:

- PEACE KEEPING
- ANTI-TERRORIST
- ANTI-SNIPER
- SMALL ARMS
CONFLICT



TRAP T-250 (.50 cal.)

- ❑ Built for U.S. Air Force, for EOD application
- ❑ Compatible with Barrett's M82A1
- ❑ Attaches to Standard Vehicle Pintle Mount or Tripod Base
- ❑ Uses standard T-2 Control System



FAST ON LINE



3.2 Seconds = Time to:

- Deploy REMOTE from cover
- ACQUIRE the TARGET
- FIRE



COMMAND LINK (OPTIONAL)

UNPRECEDEDENTED:

- COMMAND- CONTROL
- INTELLIGENCE



SURVEILLANCE &
TARGET IMAGE
TRANSMITTED TO
COMMAND POST



TRAP MANUAL OPERATION IS ENHANCED BY:

RATS: Rapid Aiming Telepresent System

TRAP SIM: Advanced training simulator

COMMAND / INTEL LINK: (optional)

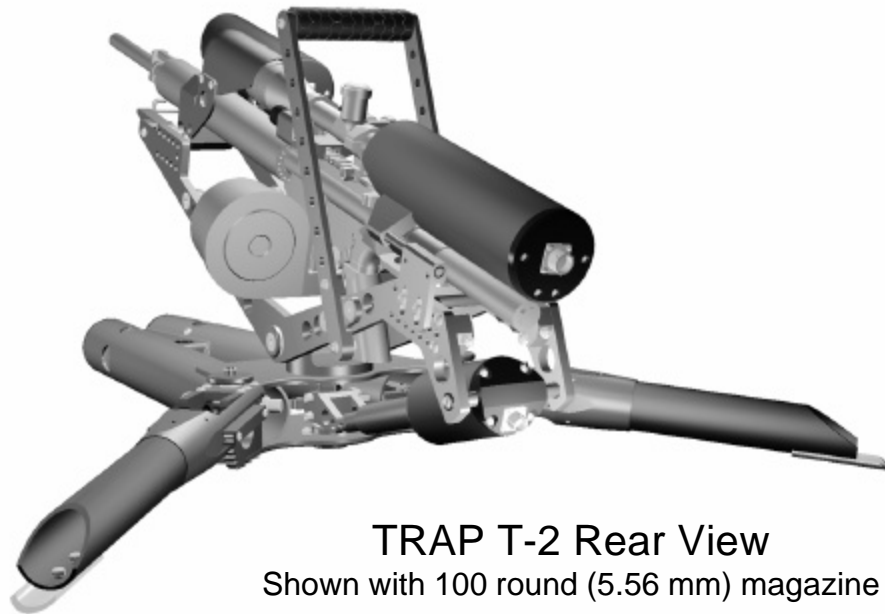


TRAP SIM: a built-in advanced training simulator

Anyone using a T-2 for conventional range training will score 100% from the outset, since the T-2 eliminates human errors.

To train to a higher standard, each unit has an embedded “FIRE and RECOIL” simulation mode that enables advanced training for speed and accuracy against DIFFICULT, REAL (live) subjects in the field.

TRAP T-2 PORTABLE PERIMETER DEFENSE



TRAP T-2 Rear View
Shown with 100 round (5.56 mm) magazine



T-2 QUAD SYSTEM



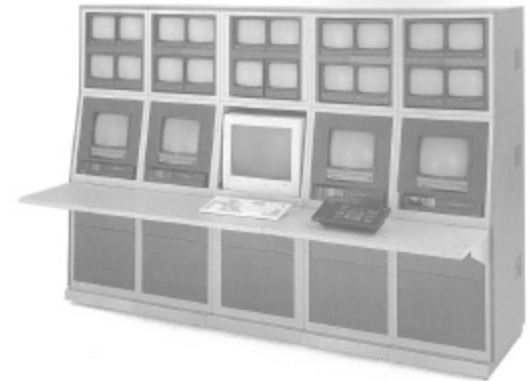
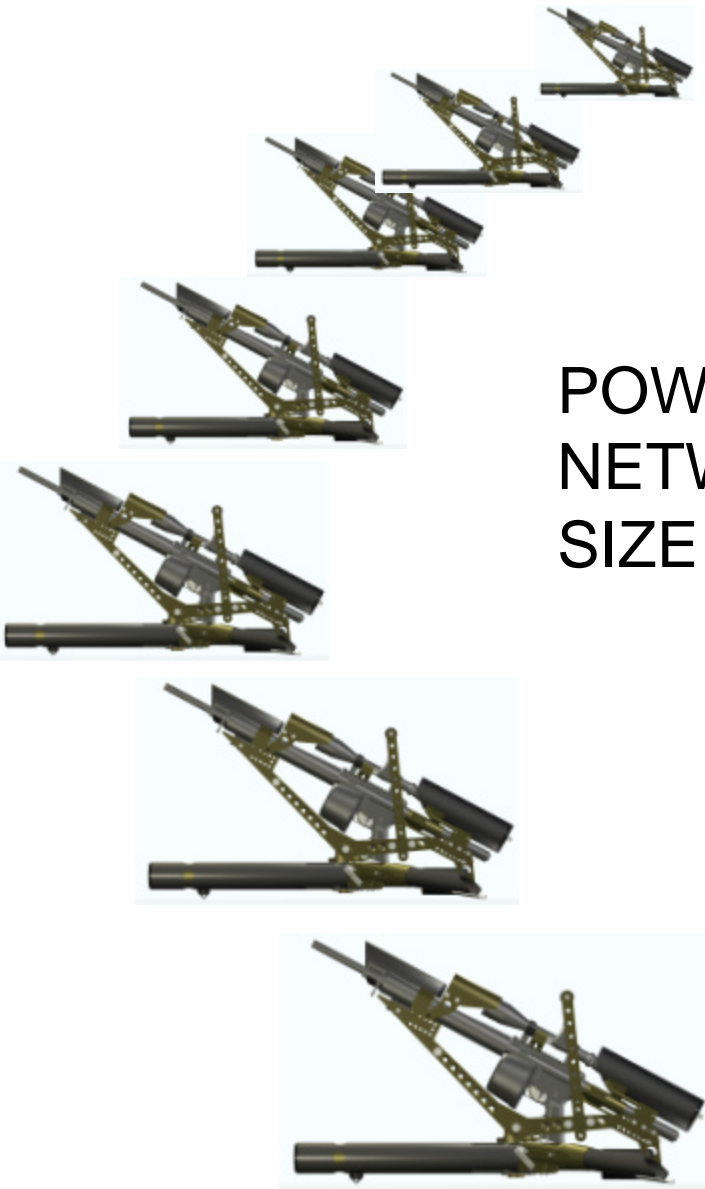
4 REMOTES
CONTROLLED
by
1 GUARD

This is a simple,
modular system that is
quickly set up for
perimeter security /
defense.



MODULAR NETWORKS

POWERFUL SECURITY – DEFENSIVE NETWORKS CAN BE UNLIMITED IN SIZE AND SCOPE.





SUPERIOR TO HUMANS

TRAP IS IMMUNE TO:

SUPPRESSION BY HOSTILE FIRE

FATIGUE

HEAT

COLD

EMOTION

COERSION

INTIMIDATION

HESITATION



SUPERIOR TO HUMANS

- TRAP IS IMMUNE TO:
BIOLOGICAL or
CHEMICAL ATTACK
- TRAP IS A SMALL TARGET, EASILY:
CAMOUFLAGED
CONCEALED
ARMORED