

**REPORT DOCUMENTATION PAGE**Form Approved  
OMB NO. 0704-0188

Public Reporting burden for this collection of information is estimated to average 1 hour per response, including the time for reviewing instructions, searching existing data sources, gathering and maintaining the data needed, and completing and reviewing the collection of information. Send comment regarding this burden estimate or any other aspect of this collection of information, including suggestions for reducing this burden, to Washington Headquarters Services, Directorate for information Operations and Reports, 1215 Jefferson Davis Highway, Suite 1204, Arlington, VA 22202-4302, and to the Office of Management and Budget, Paperwork Reduction Project (0704-0188,) Washington, DC 20503.

1. AGENCY USE ONLY ( Leave Blank)		2. REPORT DATE 10-25-2002	3. REPORT TYPE AND DATES COVERED Technical Data Report, Oct 2001 – Oct 2002	
4. TITLE AND SUBTITLE  Title: Technical Data - FFP - Month Ten Final Technical Report  Subtitle: Implementing Adaptive Technology and Supplemental Curriculum for Anatomy and Physiology			5. FUNDING NUMBERS Purchase request #: 1DT50012500100 Item No: 0001AK IAW CDRL AOO2  Contract #: USZA-22-01-C-0024 Grant #: OSD00-CR09 Phase II	
6. AUTHOR(S) Sahota, Bill Nagarathnam, Sundar Mathur, Tarun				
7. PERFORMING ORGANIZATION NAME(S) AND ADDRESS(ES) Medsn/Medschool 8520 National Blvd. Culver City, CA 90232			8. PERFORMING ORGANIZATION REPORT NUMBER Technical Data Report v1 IAW CDRL AOO2 Item No: 0001AK	
9. SPONSORING / MONITORING AGENCY NAME(S) AND ADDRESS(ES) U.S. ARMY STRICOM SIMULATION, TRAINING, & INSTRUMENTATION COMMAND 12350 Research Parkway, Orlando FL 32826-3276			10. SPONSORING / MONITORING AGENCY REPORT NUMBER Not Available	
11. SUPPLEMENTARY NOTES The views, opinions and/or findings contained in this report are those of the author(s) and should not be construed as an official Department of the Army position, policy or decision, unless so designated by other documentation.				
12 a. DISTRIBUTION / AVAILABILITY STATEMENT  Approved for public release; distribution unlimited.			12 b. DISTRIBUTION CODE  Not Available	
13. ABSTRACT (Maximum 200 words)  This document is focused on describing how, technically, implementing adaptive technology and supplemental curriculum for Anatomy and Physiology is developed from a functional use aspect including Functionality Use Case Scenarios, Technical Architecture Overview, Medsn Learning Object (MLO) Details, E-Learning Path (ELP) Details and SCORM Implementation.				
14. SUBJECT TERMS Adaptive, eLearning, training, curriculum, Anatomy, Physiology, SCORM, AICC			15. NUMBER OF PAGES 34	
			16. PRICE CODE	
17. SECURITY CLASSIFICATION OR REPORT <b>UNCLASSIFIED</b>	18. SECURITY CLASSIFICATION ON THIS PAGE <b>UNCLASSIFIED</b>	19. SECURITY CLASSIFICATION OF ABSTRACT <b>UNCLASSIFIED</b>	20. LIMITATION OF ABSTRACT  <b>UU</b>	

NSN 7540-01-280-5500

Standard Form 298 (Rev.2-89)  
Prescribed by ANSI Std. Z39-18  
298-102

20021107 051



**Technical Data - FFP - Month Ten Final Technical Report**

**IAW CDRL A002**

**Item No: 0001AK**

**Purchase request #: 1DT50012500100**

**Implementing Adaptive Technology and  
Supplemental Curriculum for Anatomy and  
Physiology**

**Contract #: USZA-22-01-C-0024**

**Grant #: OSD00-CR09 Phase II**



## Table of Contents

<b>Functionality Use Case Scenarios.....</b>	<b>3</b>
Diagram Element Description .....	3
High Level System Diagram .....	4
Detailed System Diagram.....	4
Use Case Scenario: Take Pre-assessment .....	5
Use Case Scenario: Launch MLO.....	6
Use Case Scenario: Take Post-test.....	7
<b>Technical Architecture Overview.....</b>	<b>9</b>
Architecture Overview – Overall System .....	9
Component Diagram .....	10
Interfaces Between Components .....	10
Control Flow Diagram .....	12
<b>Medsn Learning Object (MLO) Details.....</b>	<b>15</b>
Architecture Overview .....	15
Logical Architecture Block Diagram .....	16
Class Diagram.....	17
Control Flow Diagram .....	17
<b>E-Learning Path (ELP) Details .....</b>	<b>19</b>
Architecture Overview .....	19
Logical Architecture Block Diagram .....	20
Entity-Relationship Diagram .....	21
Class Diagram.....	22
Control Flow Diagram .....	23
Public Interfaces.....	25
Private Interfaces .....	25
Algorithm Details.....	25
Data Structure.....	26
Third Party Package Description .....	27
<b>SCORM Implementation.....</b>	<b>28</b>
Architecture Overview .....	28
Domain Diagram.....	28
Entity-Relationship Diagram .....	29
Class Diagram.....	30
Control Flow Diagram .....	31
Data Structure.....	35
Third Party Package Description .....	35



## Functionality Use Case Scenarios

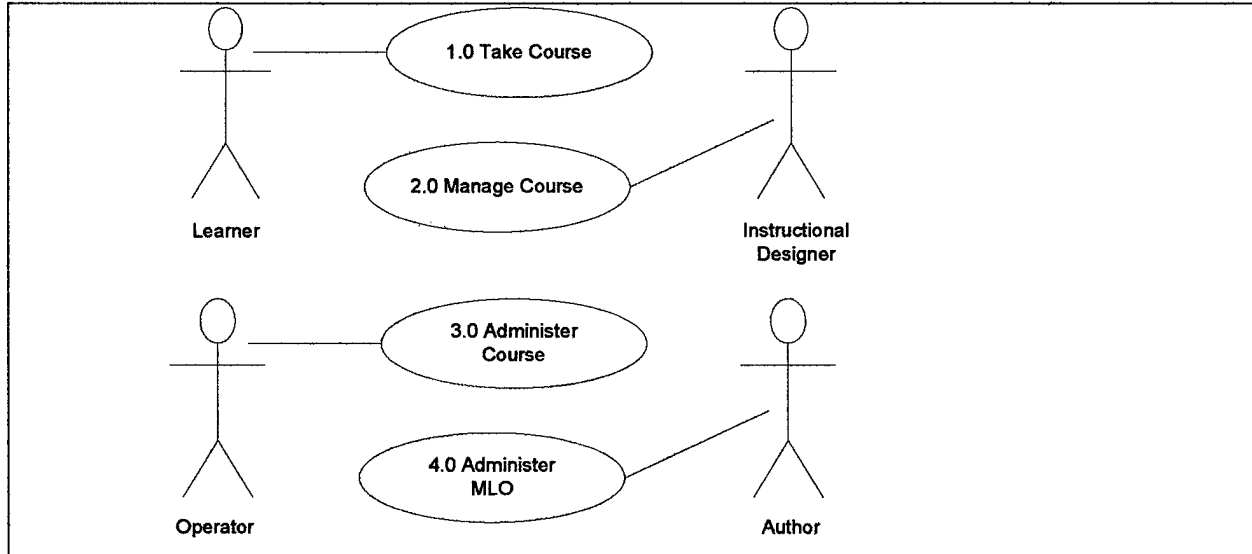
<b>Summary:</b>	Covering the scenario of the learner negotiating the system to take an adaptive e-learning SCO (sharable content object).
<b>Functionality:</b>	This covers the area of a learner taking a SCO which includes: <ul style="list-style-type: none"> <li>- The visual display of a SCO described by an e-learning path (ELP).</li> <li>- The personalization of an e-learning path through adaptiveness.</li> <li>- The launch of a pre-assessment test via an ELP.</li> <li>- Recording of a learner's pre-assessment information via the LAP record.</li> <li>- The launch of a module via an ELP.</li> <li>- The launch of a post-test via an ELP.</li> </ul>
<b>Assumptions:</b>	All elements that have add or create functionality can be assumed to have an edit that gives access to the same data fields.
<b>Non-Goals:</b>	This set of use case scenarios does not define the general case for a learner.

## Diagram Element Description

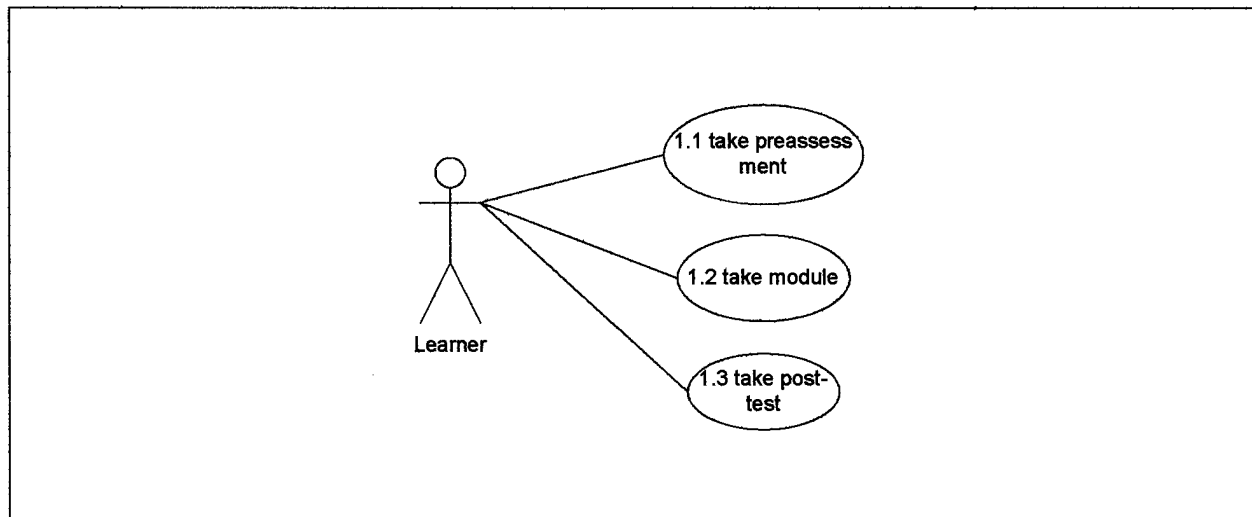
<b>Element:</b>	<b>Description:</b>
Take SCO	High-level use case of system involving learner whose purpose for using the system is to take a SCO.
Manage SCO	High-level use case of instructional designer interacting with the system to identify and manage SCOs for learners to take.
Administer LAP	High-level use case of a Medsn operations staff who interact with the system to administer the LAP record.
Administer MLO	High-level use case of a content author interacting with the system to administer information about Medsn Learning Objects.



### High Level System Diagram



### Detailed System Diagram





**Use Case Scenario: Take Pre-assessment**

<b>USE CASE #</b>	Take Pre-assessment	
<b>Goal in Context</b>		
<b>Scope &amp; Level</b>	Primary Task	
<b>Preconditions</b>	Learner is logged into the application and has at least one SCO available for taking. <i>Also, the SCO selected is an adaptive SCO.</i>	
<b>Success End Condition</b>	Completed pre-assessment test and updated LAP record.	
<b>Failed End Condition</b>	Incomplete pre-assessment test and LAP record not recorded.	
<b>Primary, Secondary Actors</b>	Learner	
<b>Trigger</b>	Learner selects the <i>SCO</i> gateway page link.	
<b>DESCRIPTION</b>	<b>Step</b>	<b>Action</b>
	1	Learner selects <i>SCO</i> gateway page link. The system determines the status of the learner's ELP according to the information in the LAP record. The ELP is displayed on the <i>SCO</i> gateway page.
	2	Learner selects the pre-assessment test link. The system displays the appropriate pre-assessment test in a separate window.
	3	Learner answers the pre-assessment questions. The system stores the answers to the pre-assessment questions in the question metrics.
	4	Learner completes the quiz by answering the final quiz question. The system displays the learner's score on the pre-assessment test. The pre-assessment question results are stored in the LAP record. The system also calculates the learner's ELP from the results of the pre-assessment test.
	5	Learner exits the quiz by closing the quiz window. The system determines the status of the learner's ELP according the information in the LAP record. The new ELP is displayed on the <i>SCO</i> gateway page.
<b>EXTENSIONS</b>	<b>Step</b>	<b>Branching Action</b>
	4a	Learner does not answer the final quiz question: 4a1. Discard pre-assessment results
<b>SUB-VARIATIONS</b>		



Use Case Related Information

<b>RELATED INFORMATION</b>	Take Pre-assessment.
<b>Priority:</b>	High
<b>Channels to actors</b>	Interactive
<b>Superordinates</b>	1.0 Take SCO.
<b>Subordinates</b>	

Use Case Scenario: Launch MLO

<b>USE CASE #</b>	Launch MLO	
<b>Goal in Context</b>		
<b>Scope &amp; Level</b>		
<b>Preconditions</b>	ELP exists with at least one learning node available for viewing.	
<b>Success End Condition</b>	Learner has viewed module and LAP record is updated with module information and revised ELP is calculated.	
<b>Failed End Condition</b>	Learner has not viewed module and LAP record is not updated and ELP is not recalculated.	
<b>Primary, Secondary Actors</b>	Learner	
<b>Trigger</b>	Learner selects MLO node.	
<b>DESCRIPTION</b>	<b>Step</b>	<b>Action</b>
	1	Learner selects SCO gateway page link. The system determines the status of the learner's ELP according to the information in the LAP record.
	2	Learner clicks on learning node to launch. The MLO launches in a separate window. The system issues a SCORM initialize command upon SCO execution.
	3	Learner exits MLO by closing the module window. The system issues a SCORM finalize command to signify MLO completion. The system recalculates the learner's ELP according to the information in the LAP record. The revised ELP is displayed on the SCO gateway page.
<b>EXTENSIONS</b>	<b>Step</b>	<b>Branching Action</b>
	1a	Learner selects SCO gateway page link. 1a1. The system creates a default LAP record for the learner if this is the first time accessing this ELP.



<b>SUB-VARIATIONS</b>		<b>Branching Action</b>
	1	

**Use Case Related Information**

<b>RELATED INFORMATION</b>	Launch MLO
<b>Priority:</b>	High
<b>Performance</b>	
<b>Frequency</b>	High
<b>Channels to actors</b>	Interactive
<b>Superordinates</b>	1.0 Take SCO
<b>Subordinates</b>	

**Use Case Scenario: Take Post-test**

<b>USE CASE #</b>	Take Post-test	
<b>Preconditions</b>	ELP in which the predecessor learning nodes have been successfully completed.	
<b>Success End Condition</b>		
<b>Failed End Condition</b>		
<b>Primary, Secondary Actors</b>	Learner	
<b>Trigger</b>	Learner selects post-test learning node.	
<b>DESCRIPTION</b>	<b>Step</b>	<b>Action</b>
	1	Learner selects SCO gateway page link. The system determines the status of the learner's ELP according to the information in the LAP record. The ELP is displayed on the SCO gateway page.
	2	Learner selects the post-test learning node link. The system displays the appropriate post-test in a separate window.
	3	Learner answers the post-test questions. The system stores the answers to the post-test questions in the question metrics.
	4	Learner completes the quiz by answering the final quiz question and achieves a passing score. The system displays the learner's score on the post-test. The post-test is identified as complete and passed in the LAP record.



	5	Learner exits the post-test by closing the test window. The system recalculates the learner's ELP according to the information in the LAP record. The revised ELP is displayed on the SCO gateway page.
<b>EXTENSIONS</b>	<b>Step</b>	<b>Branching Action</b>
	4a	Learner completes the quiz by answering the final quiz question and does not achieve a passing score. 4a1. The system displays the learner's score on the post-test. The post-test is identified as complete and not passed in the LAP record.
<b>SUB-VARIATIONS</b>		<b>Branching Action</b>
	1	

**Use Case Related Information**

<b>RELATED INFORMATION</b>	Take post-test
<b>Priority:</b>	High
<b>Performance</b>	
<b>Frequency</b>	Medium
<b>Channels to actors</b>	Interactive
<b>Superordinates</b>	1.0 Take SCO
<b>Subordinates</b>	



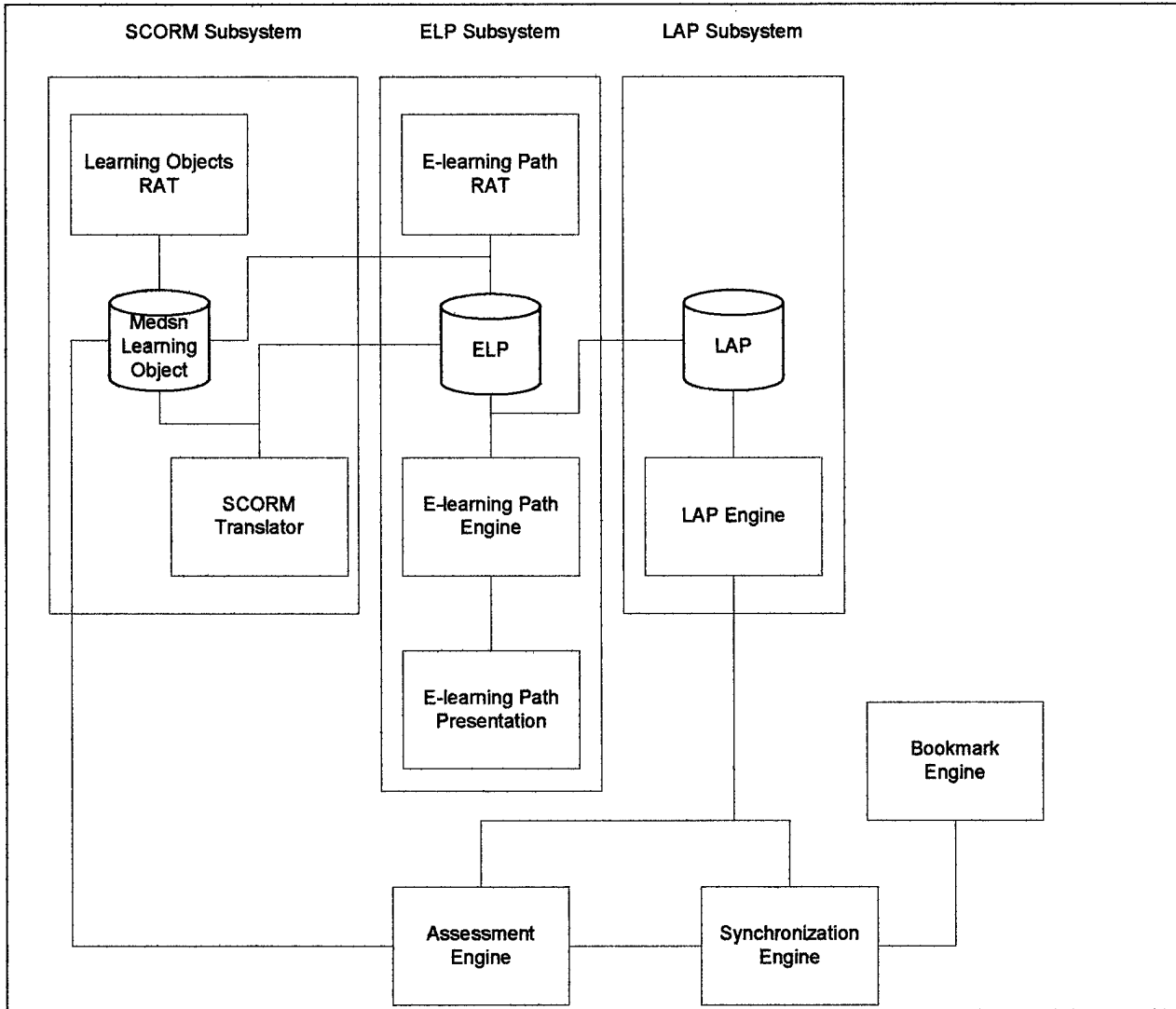
## Technical Architecture Overview

### Architecture Overview – Overall System

Description, purpose, objectives	The purpose of this system is to deploy an architecture for supporting the delivery of the DoD content. This platform will allow for personalized presentation of courses via a pre-assessment test. An additional purpose is to conform to DoD guidelines and extend Synopsis to be SCORM-compliant.
Use Cases Included	
Features covered	Adaptiveness Level 1 (inter-learning object) SCORM run-time functions (start and finish) SCORM content packaging specification SCORM metadata E-learning path Implementation of the Learner Activity Profile
Exclusions	SCORM run-time functions outside of start and finish. Intra-learning object adaptiveness. Bookmarking and annotations.
Dependencies	None
Additional comments	



**Component Diagram** – Describe the components involved in the system.



**Interfaces Between Components** – Describe how the components in the system interact.

Component	Component	Interface
Learning Object Remote Authoring Tool (RAT)	Medsn Learning Object (MLO)	JDBC



SCORM Translator  
E-learning Path (ELP)  
JDBC

SCORM Translator  
Content Specification Package  
XML

ELP RAT  
ELP  
JDBC

ELP RAT  
MLO  
JDBC

ELP Engine  
ELP  
JDBC

ELP Engine  
LAP  
JDBC

ELP Engine  
ELP Presentation Engine  
HTTP/JSP

LAP Engine  
LAP  
JDBC

Assessment Engine  
LAP Engine  
HTTP

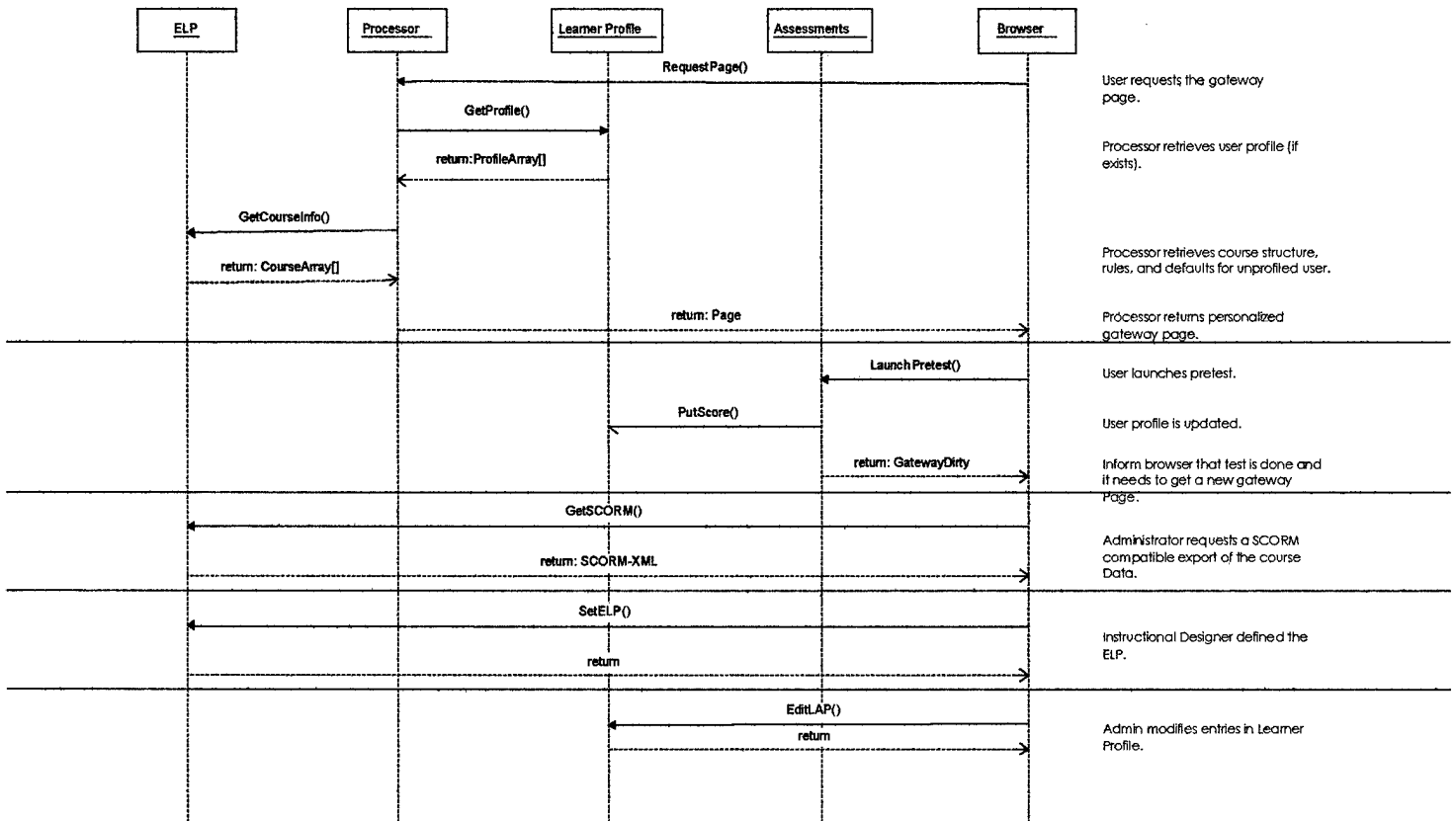
Synchronization Engine  
LAP Engine  
JavaScript

Assessment Engine  
MLO



JDBC

Control Flow Diagram - Complete this section to show the control flow and the data flow of the key components or objects of the architecture (more legible when printed).





The following 2 figures illustrate the logical structure of the system. Figure 1 describes the domain object model of the various components of the system from a logical perspective. Figure 2 illustrates the database schema that was created to implement the components and sub-components of the platform.

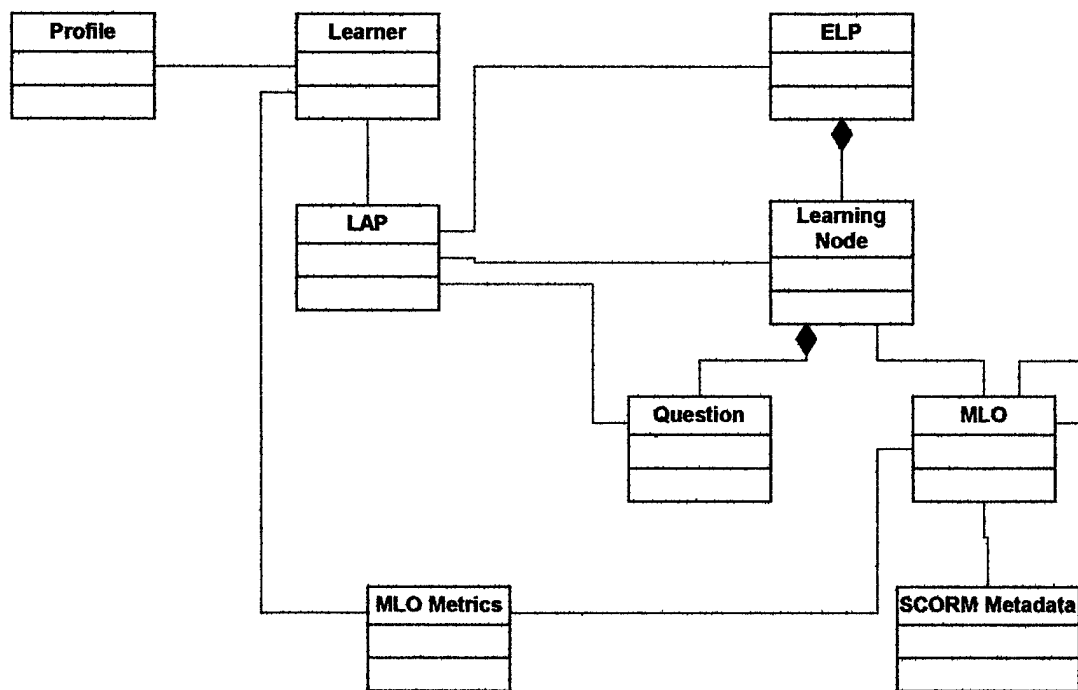


Figure 1 - Domain Object Model.





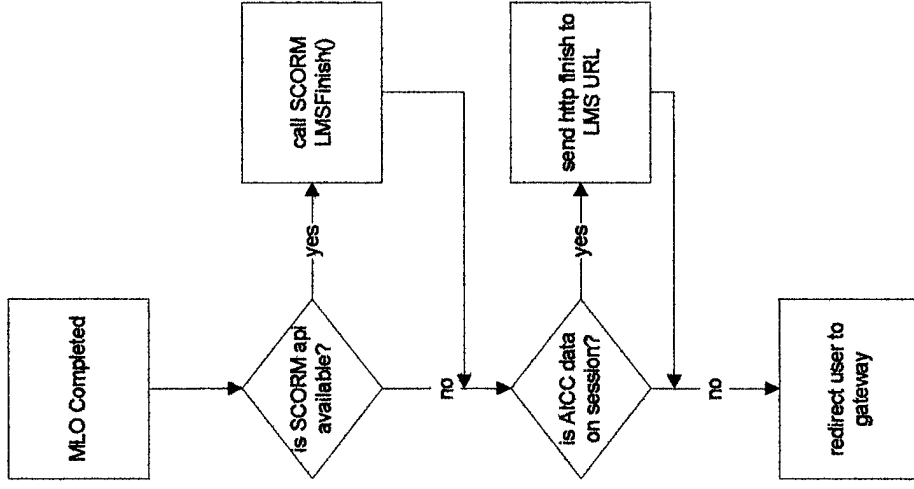
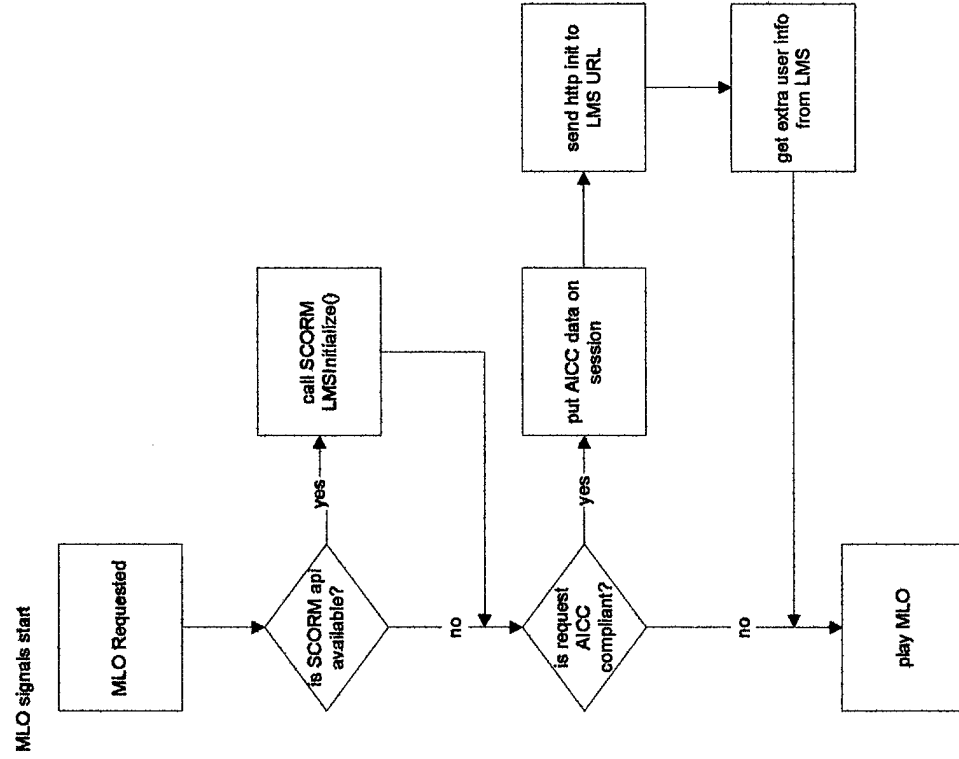
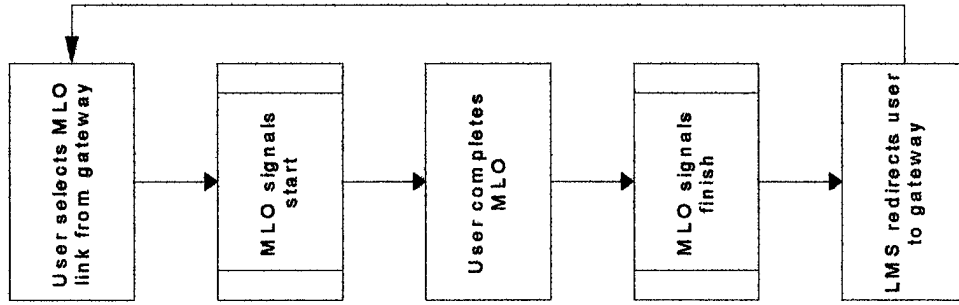
## Medsn Learning Object (MLO) Details

### Architecture Overview

Description, purpose, objectives	Covers standard's requirements for running MLOs including SCORM and AICC run-time environments when launched by an LMS. Also defines a Medsn LMS implementation.
Use Cases Included	User starts MLO User finishes MLO
Dependencies	
Additional comments	The Medsn LMS implementation defined here follows AICC run-time and communication standards.

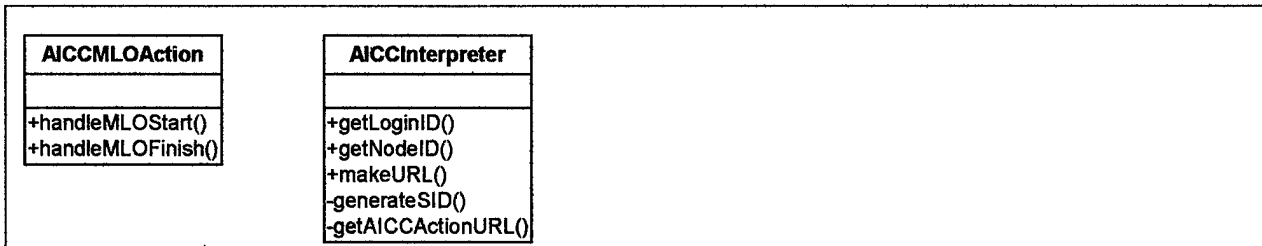


Logical Architecture Block Diagram – Describe the logical functional diagram of the architecture.  
High-level Flow

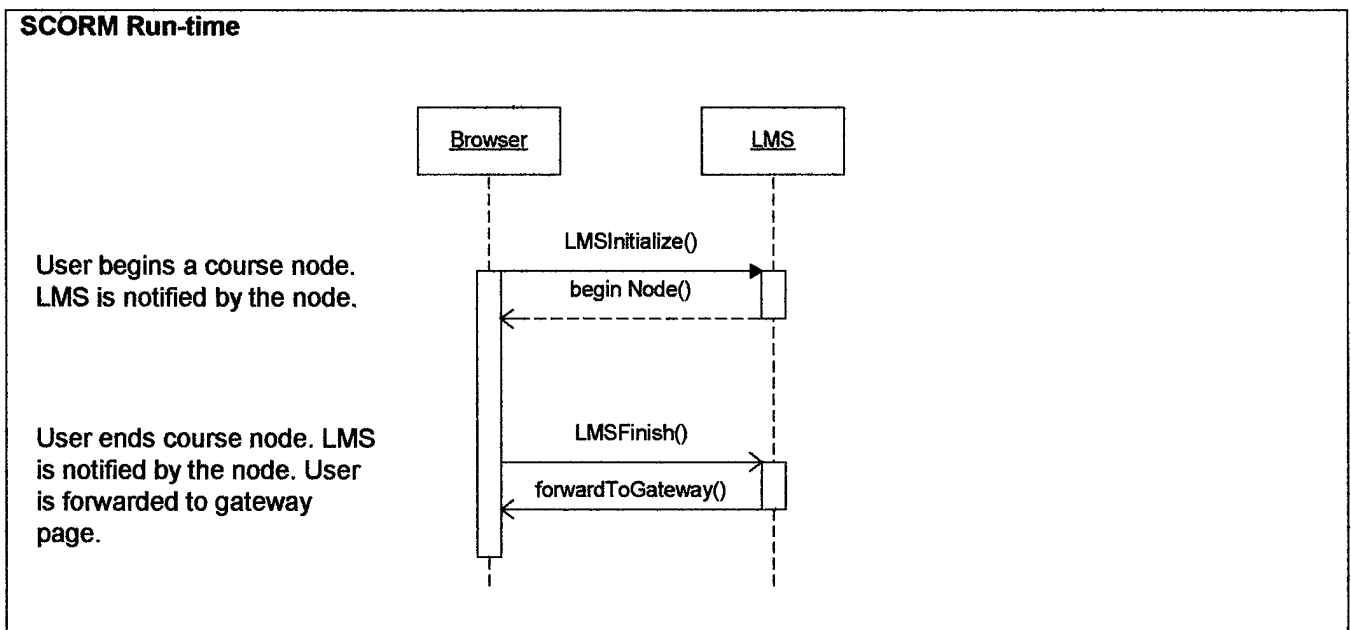




**Class Diagram** – Describe all objects of the software architecture.



**Control Flow Diagram** - Complete this section to show the control flow and the data flow of the key components or objects of the architecture.





# Adaptive Technical Documentation

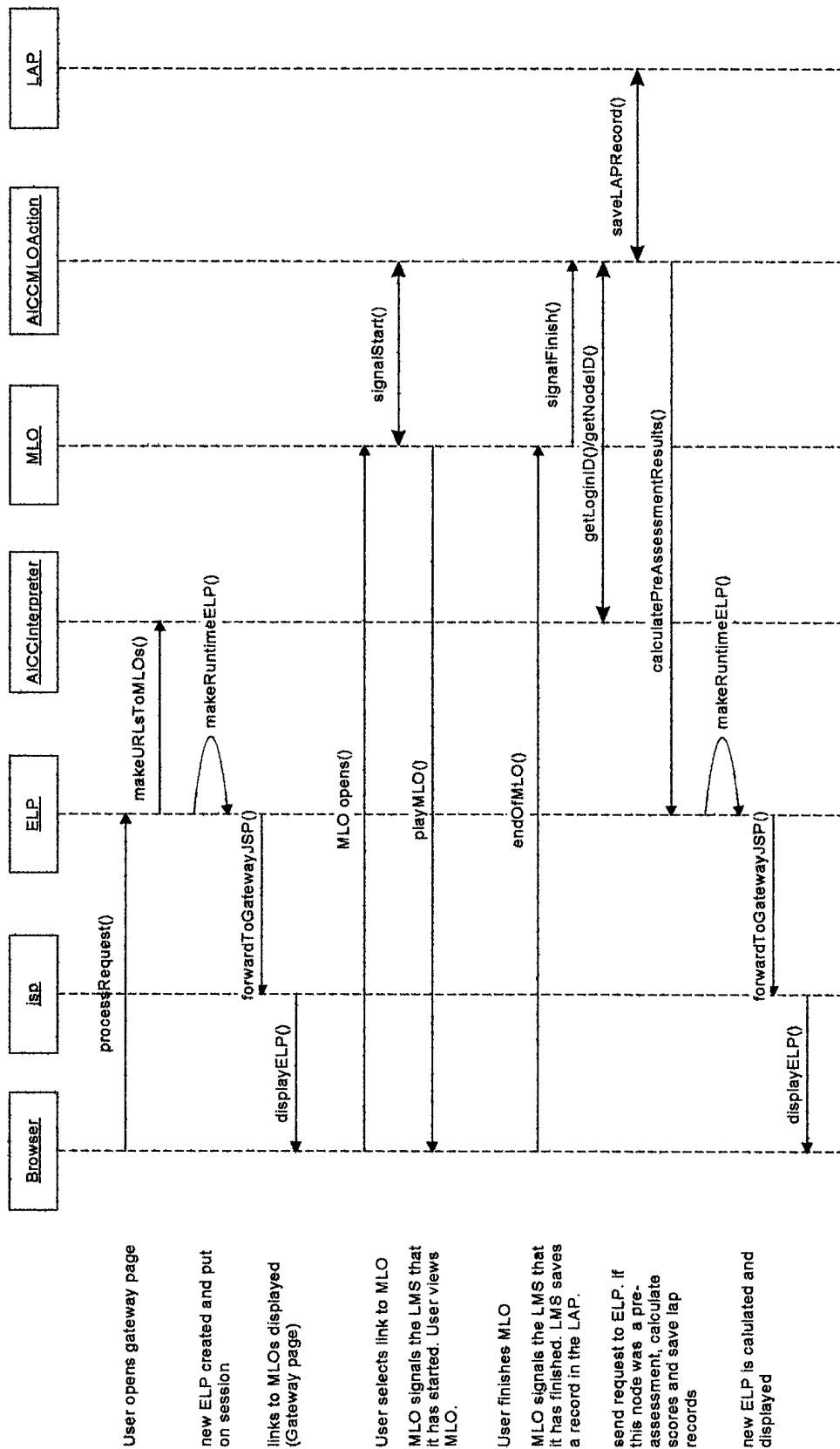


Figure 3. Run-time Sequence Diagram.

Telephone 310 699 9000  
Facsimile 310 699 9008  
www.medsn.com

Medsn Inc.  
8520 National Blvd.  
Culver City, CA 90230

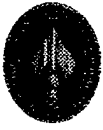




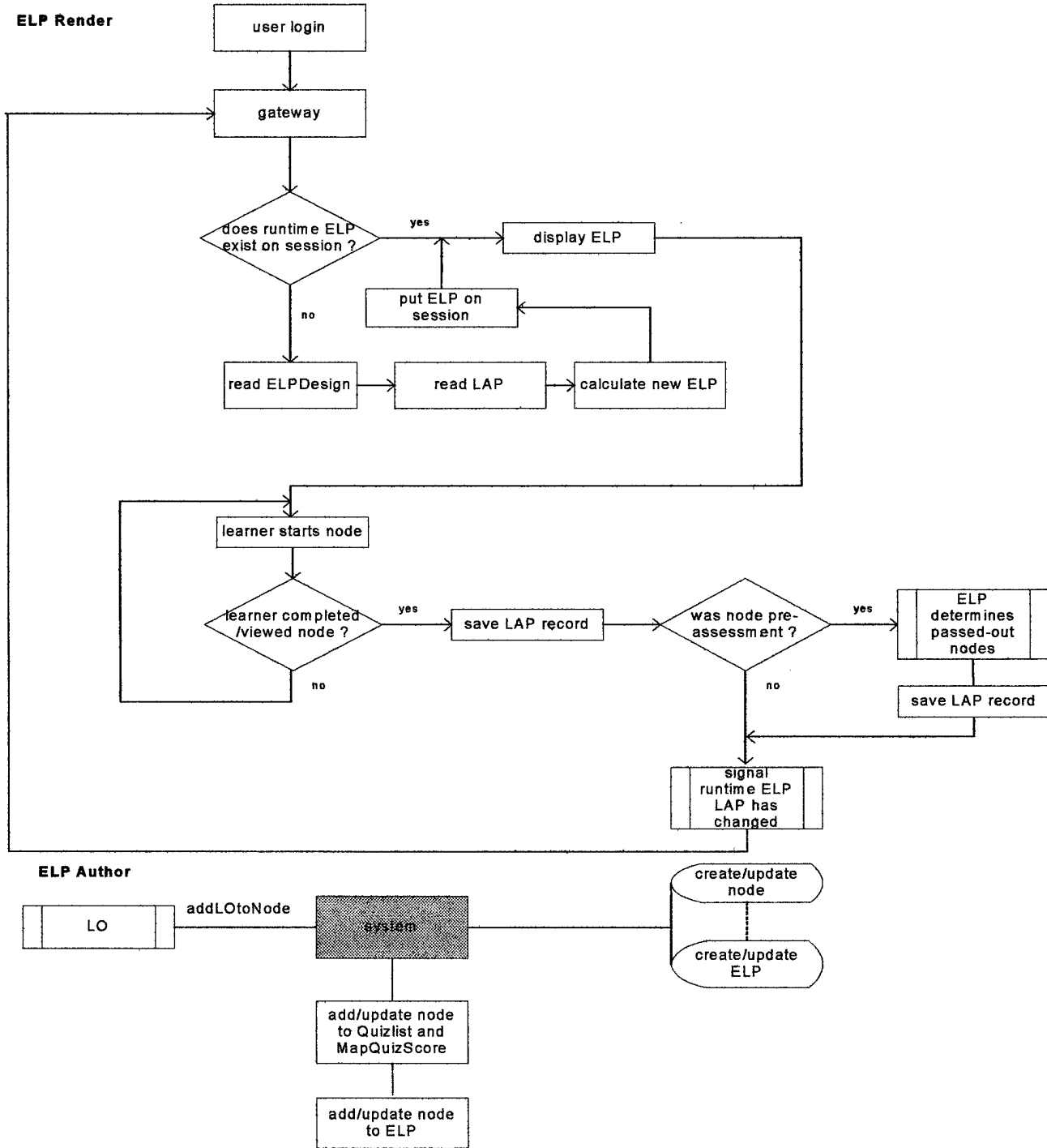
## E-Learning Path (ELP) Details

### Architecture Overview

<b>Description, purpose, objectives</b>	<b>ELP Author:</b> The components design in creation of a course via an e-learning path, editing of a course and exporting of a course to a SCORM content package. The instructional designer will use this tool to: <b>ELP Render:</b> The components design for defining the adaptive behavior of the ELP. <ul style="list-style-type: none"><li>- The visual display of a course described by an ELP</li><li>- The personalization of an ELP through adaptiveness.</li><li>- The launch of a pre-assessment test via an ELP.</li><li>- Recording of a learner's pre-assessment information via the LAP record.</li><li>- The launch of a module via an ELP.</li><li>- The launch of a post-test via an ELP.</li></ul>
<b>Use Cases Included</b>	<b>ELP Author:</b> <ul style="list-style-type: none"><li>-Define course structure</li><li>-Assign LO to node</li><li>-Export course</li></ul> <b>ELP Render:</b> <ul style="list-style-type: none"><li>-Take pre-assessment</li><li>-Launch module</li><li>-Take post-test</li></ul>
<b>Dependencies</b>	LO is a precondition for the course author/designer.

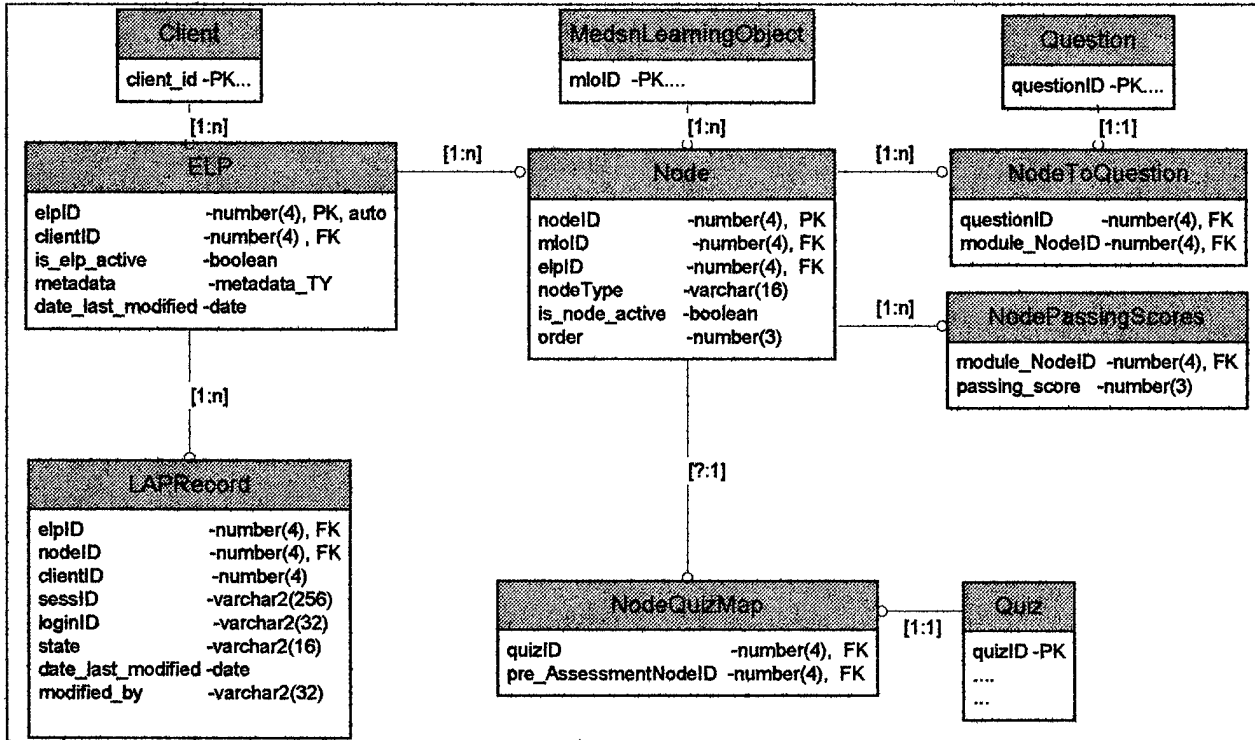


### Logical Architecture Block Diagram



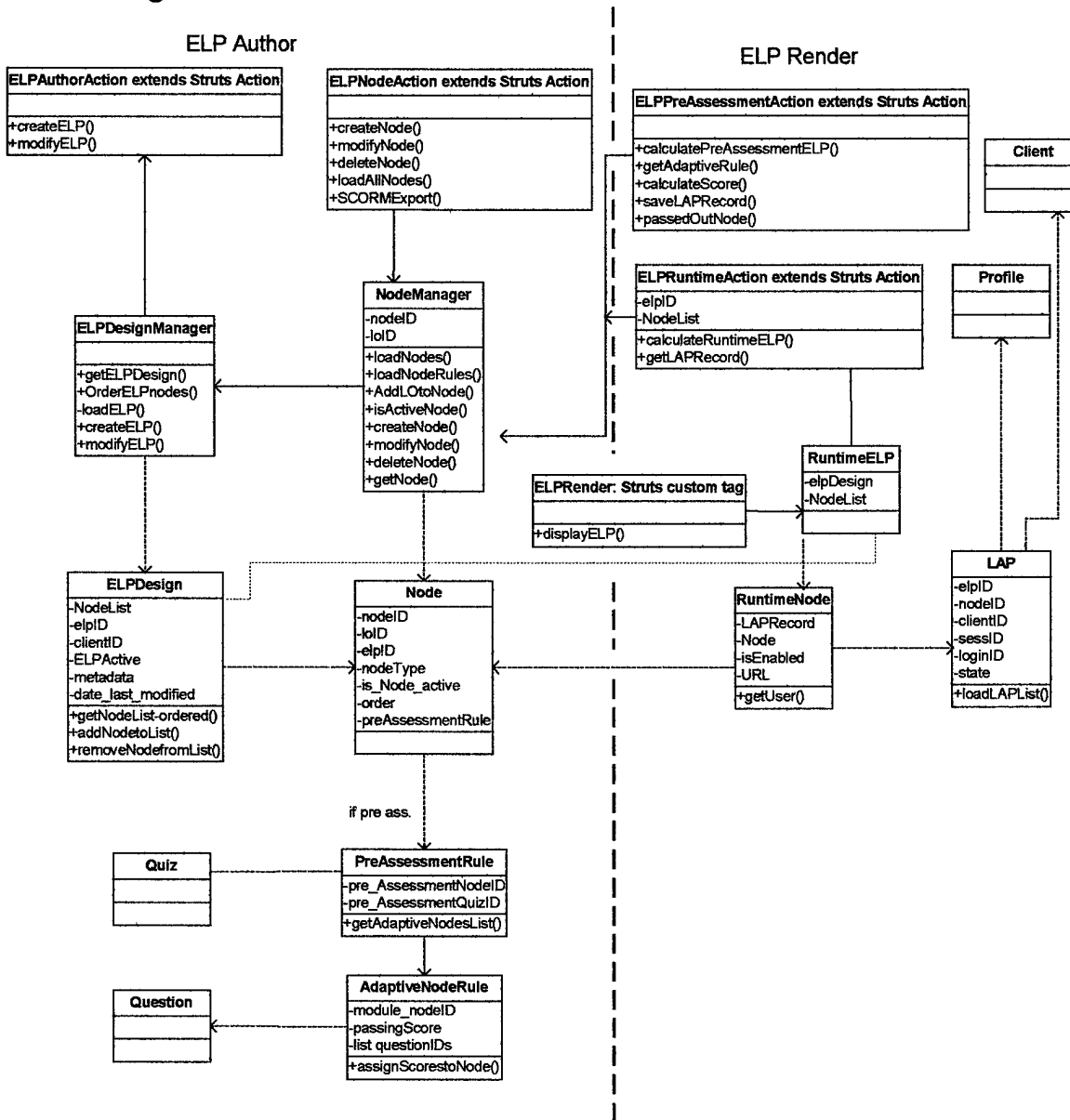


### Entity-Relationship Diagram





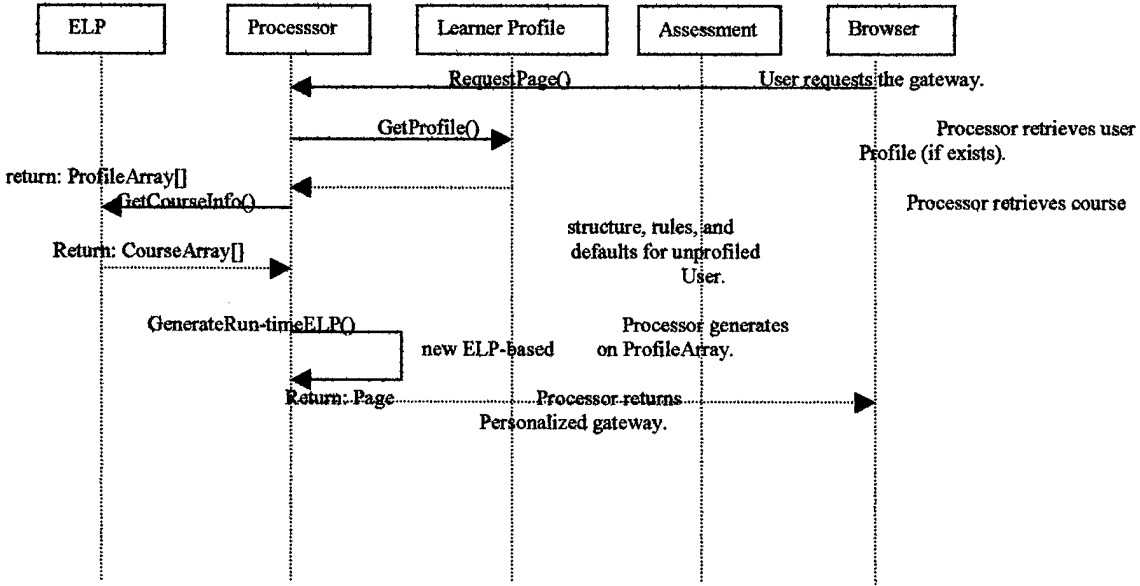
Class Diagram





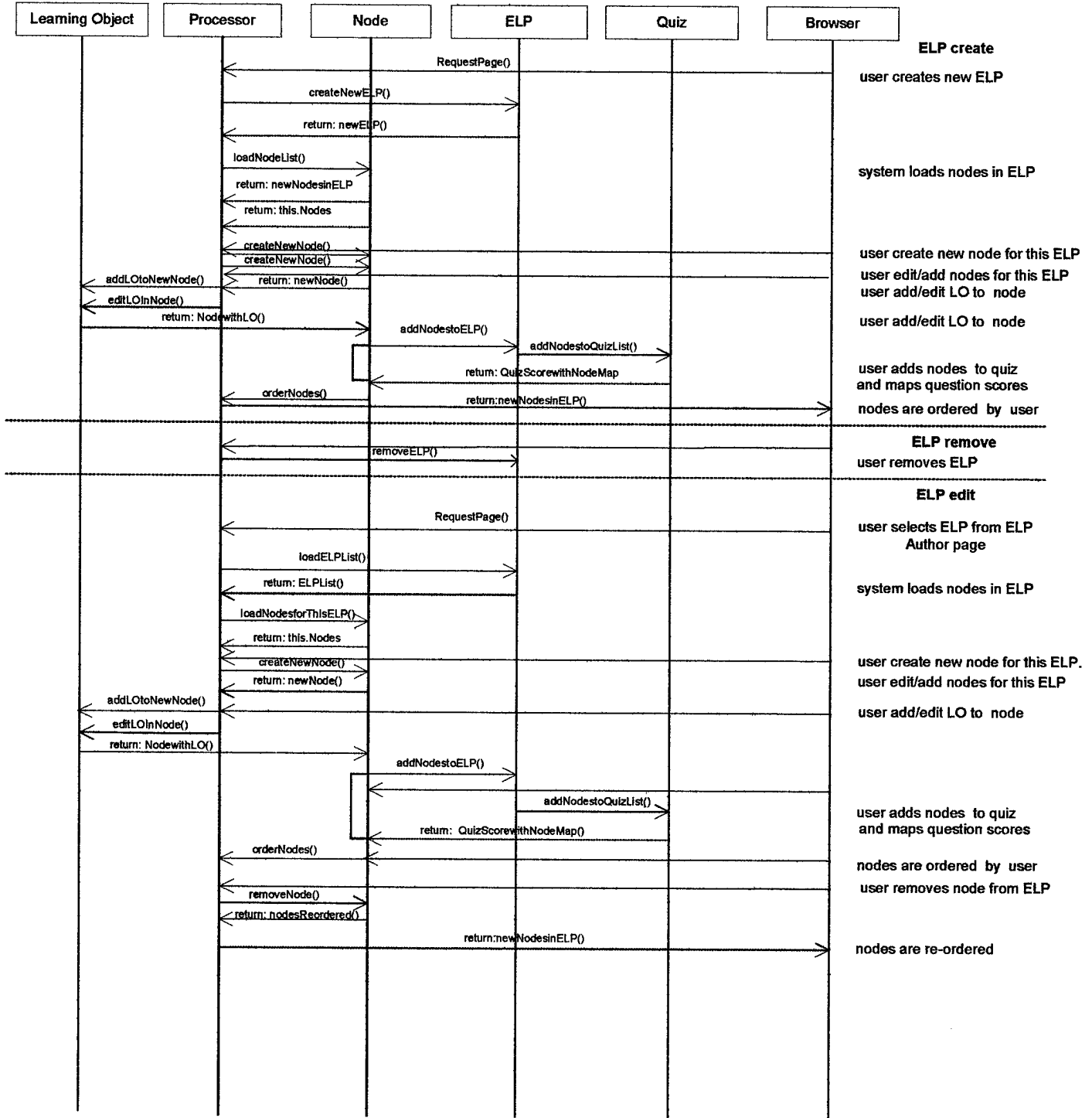
### Control Flow Diagram

#### ELP Run-time





ELP Author





## Public Interfaces

Learning Object:  
SCORM content packaging modules;  
LAP Author;  
LAP metrics collection modules.

## Private Interfaces

ELP Renderer  
ELP Author

## Algorithm Details

### ELP Render

```
userProfile(loginid, clientid);
loadELP(this.user);
take preAssessment();
computeScore(score);
if(this user passed) {
    recordLAP()
    markNodesPassed(nodesPassed);
    return nodesLeft();
}
else return originalELP();

loadELP(user){
    readLAPrecord for this user;
    if(LAPrecord exists) markNodesPassedorViewed(nodesPassed);
    else return nodes from ELPNodesVector;
}

computeScore(this user score) {
    if(this user score >= baseScore) return passed;
    else return failed;
}

markNodesPassedorViewed (nodesPassed){
    If (nodes in ELP contains(nodesPassed)) remove nodes from ELPNodesVector;
    return nodesLeft()
}

nodesLeft() {
    return remaining nodes from ELPNodesVector;
}
```



## ELP Author

```
createELP() {
  loadNodes from node list;
  if( node on list) {
    add this node(s) to this ELP;
    orderNodes();
  } else {
    createNode();
    createELP();
  }
  return ELP;
}

editELP(){
  loadNodes from this ELP node list;
  selectNodestoEdit();
  case author choice of ELPeditActions
  case 1: addLOtoNode();
  case 2: changeLOinNode(nodeid, loid);
  case 3: addQuizNodeScores();
  case 4: changeQuizNodeScores();
  case 5: createNode()
  case 6: removeNodefromELP();

  return nodesinELP;
}

removeELP(elpid) {
  remove this elp;
}

createNode() {
  createNewNode();
  case authorchoice of NodeeditActions
  case 1: addLOtoNode();
  case 2: removeLOfromNode();

  return node;
}

removeNode(nodeid) {
  remove this node;
}
```

## Data Structure

The run-time environment variables will be allocated in dynamic memory to complete ELP transactions.

The LAP record is loaded onto the memory prior to this calculation. The ELP uses the LAP record every time a user completes pre-assessments or starts up a new session, so it caches the LAP values hence avoiding expensive database transactions to achieve this. The adaptive algorithm then executes to adapt ELP transformations, if any occur.



**Third Party Package Description** - *Complete this section to describe any third party packages.*

Struts framework APIs.

Struts uses a special Java Servlet as a server-based switchboard to route requests from web browsers to the appropriate Java Server Pages (JSPs). This framework provides a robust and rapid development framework in which to deploy Web-based applications.

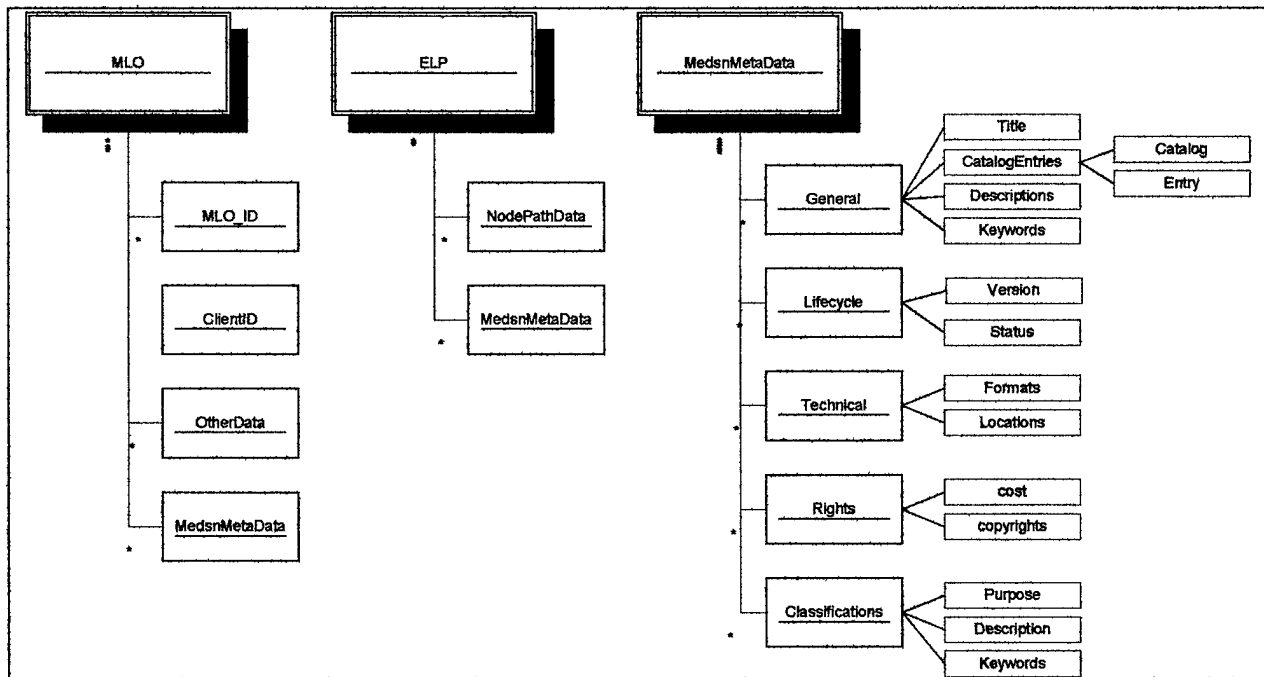


# SCORM Implementation

## Architecture Overview

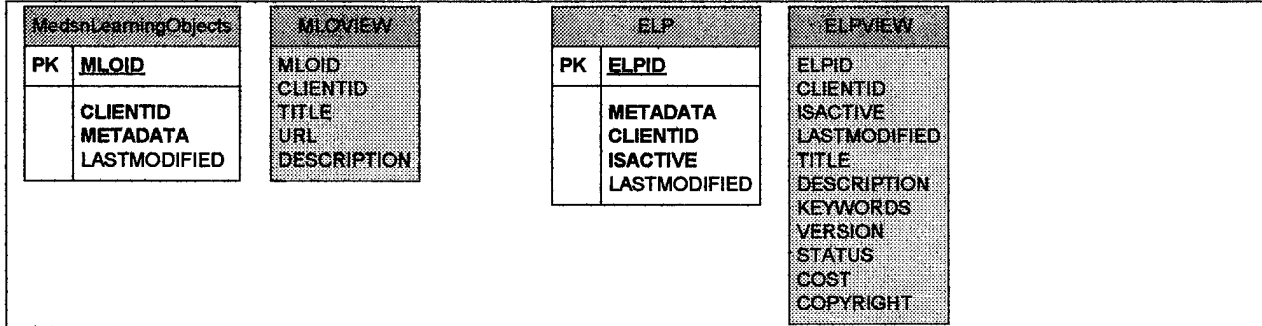
Description, purpose, objectives	Covers SCORM requirements for SCO metadata, content aggregation metadata, and the associated authoring and rendering tools.
Use Cases Included	Authoring LO metadata. Authoring ELP metadata. Exporting a course to a SCORM content package (xml).
Dependencies	The contents/target of an LO must exist before an LO can be authored.

## Domain Diagram



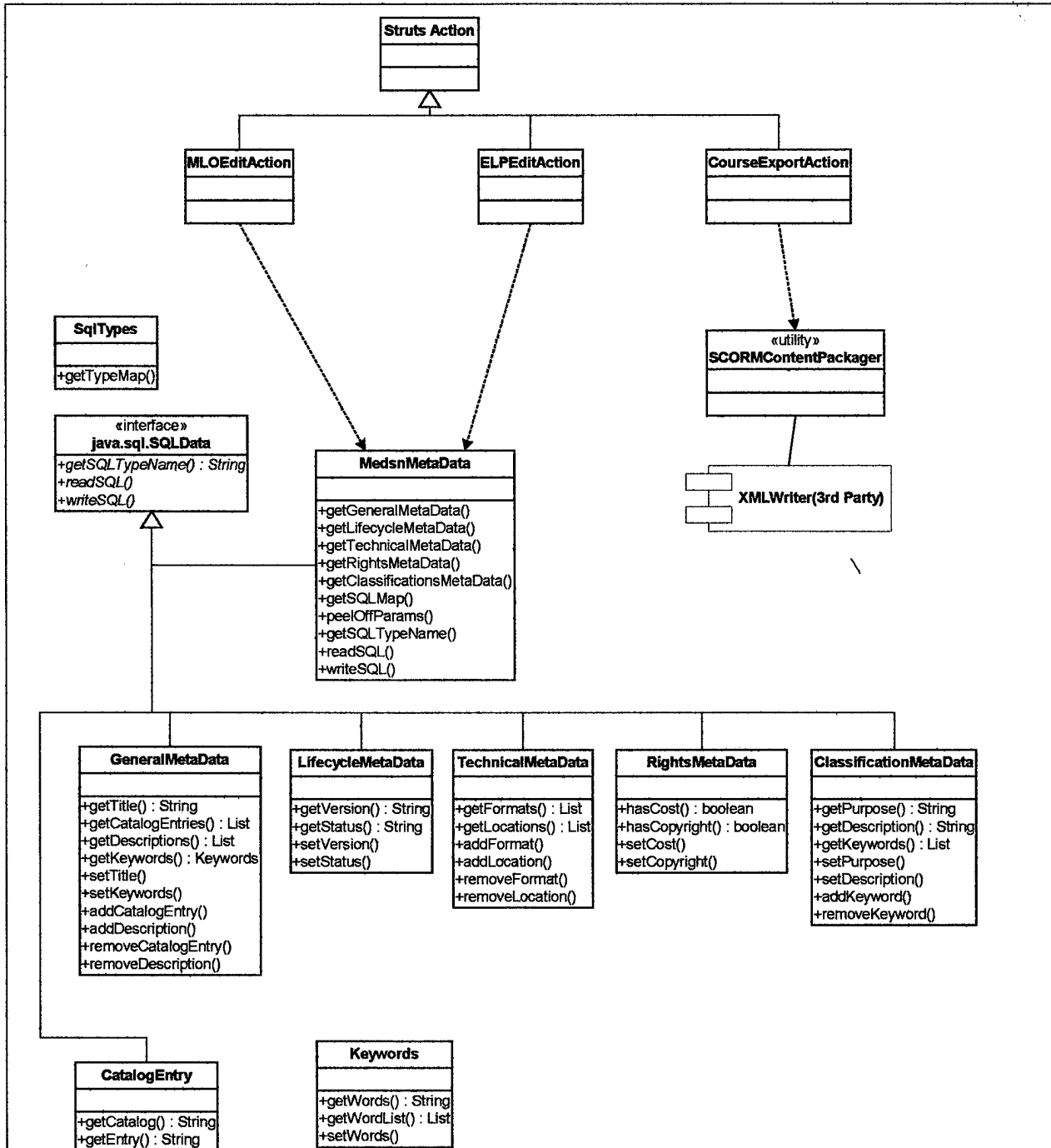


**Entity-Relationship Diagram** - Describe the database architecture.



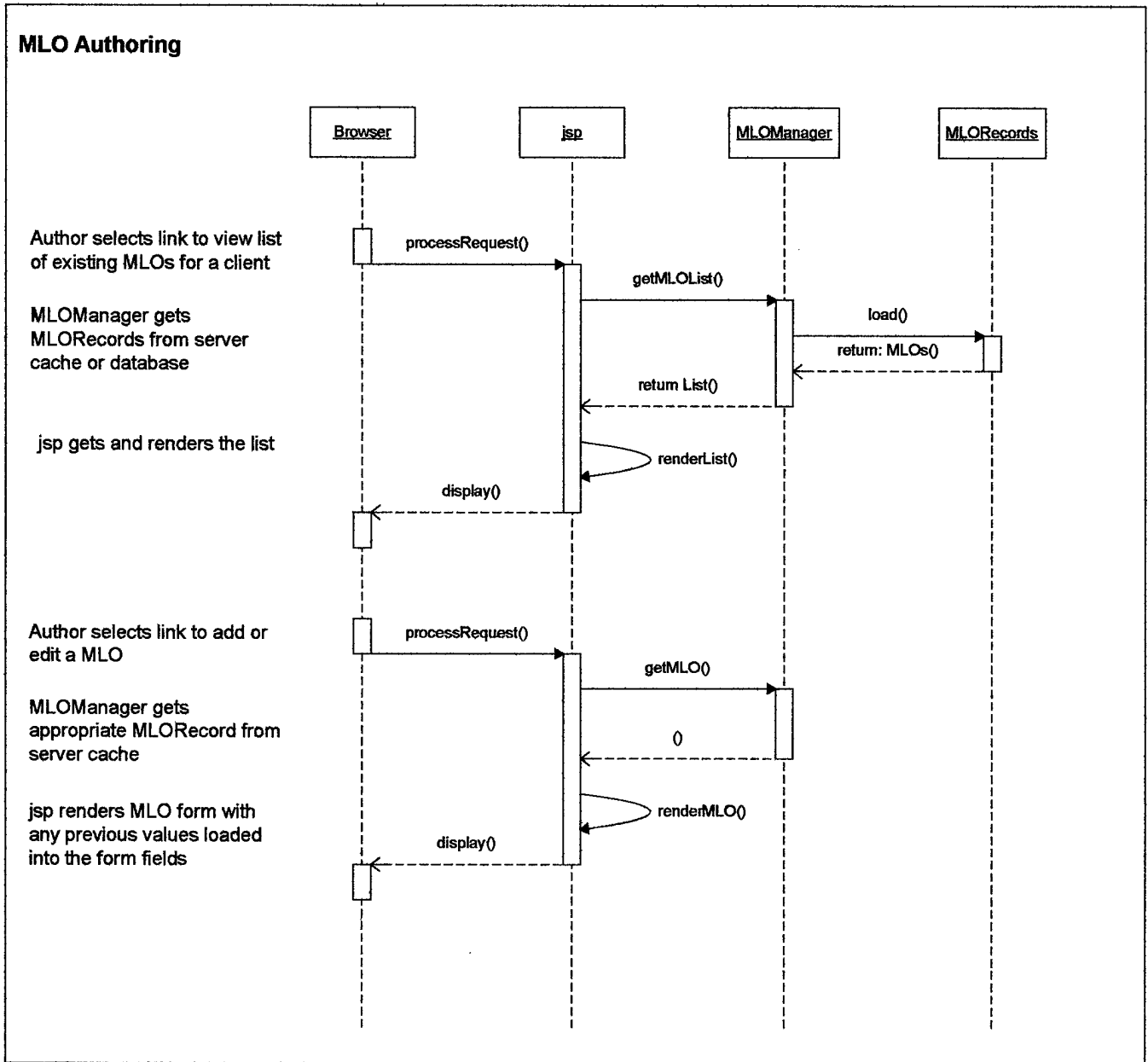


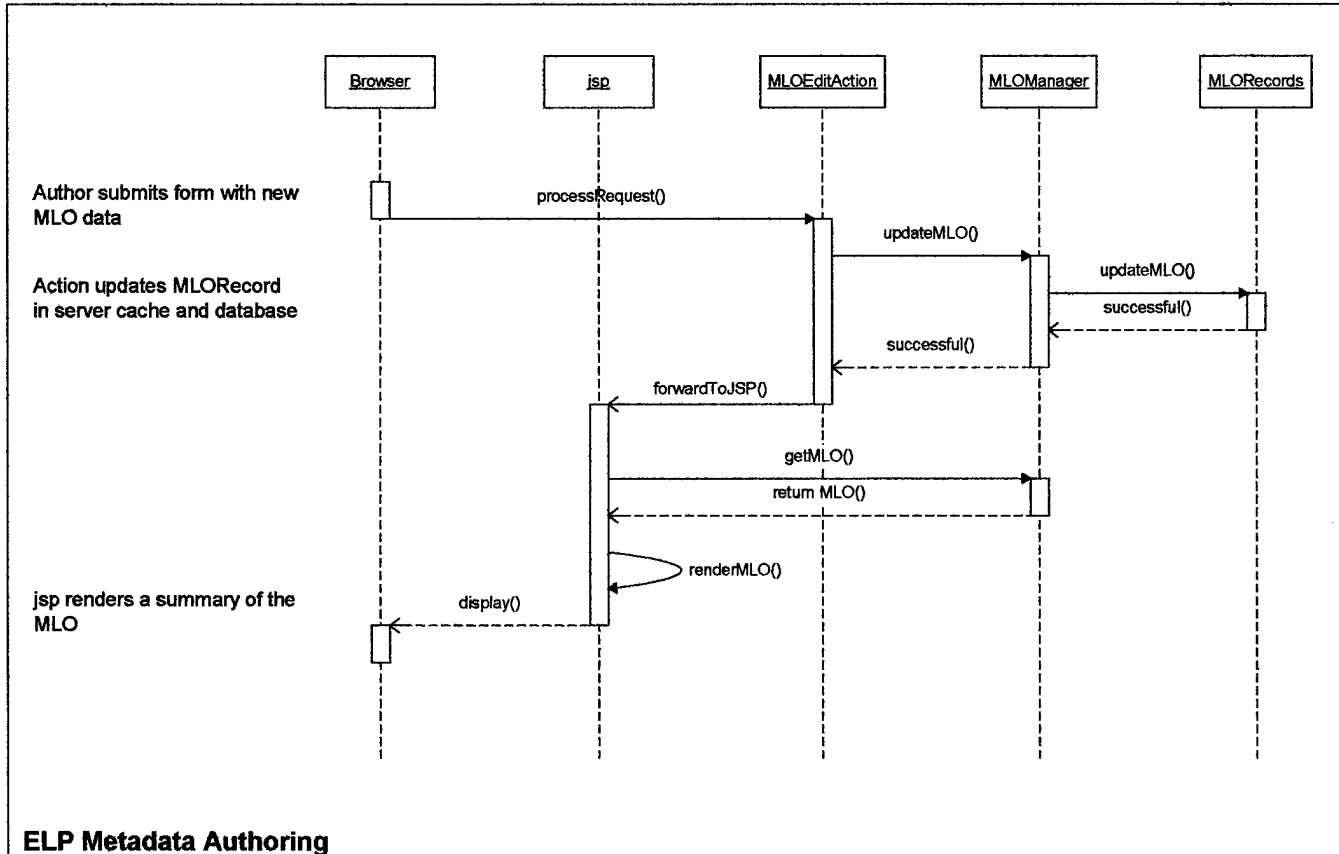
Class Diagram – Describe all objects of the software architecture.

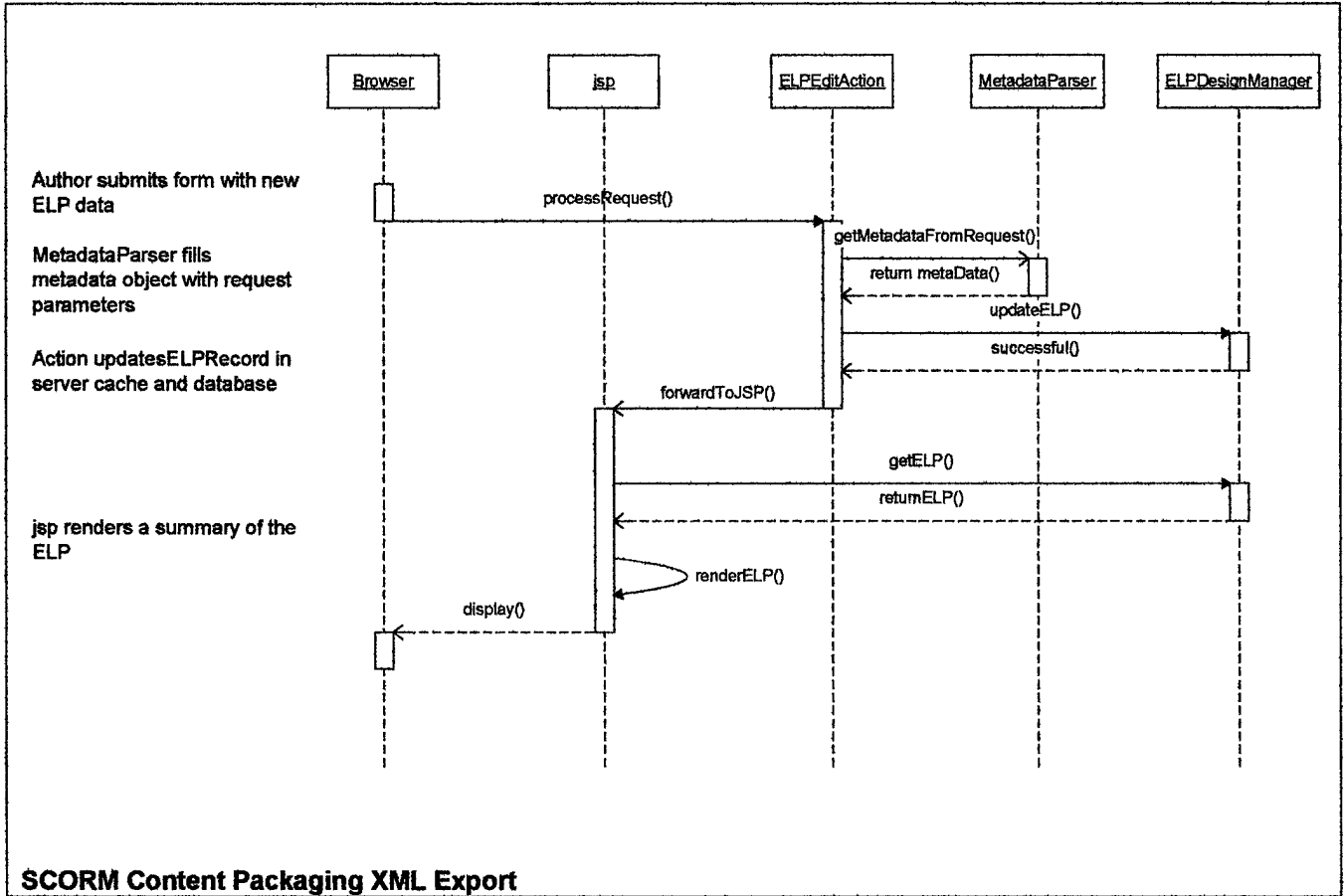


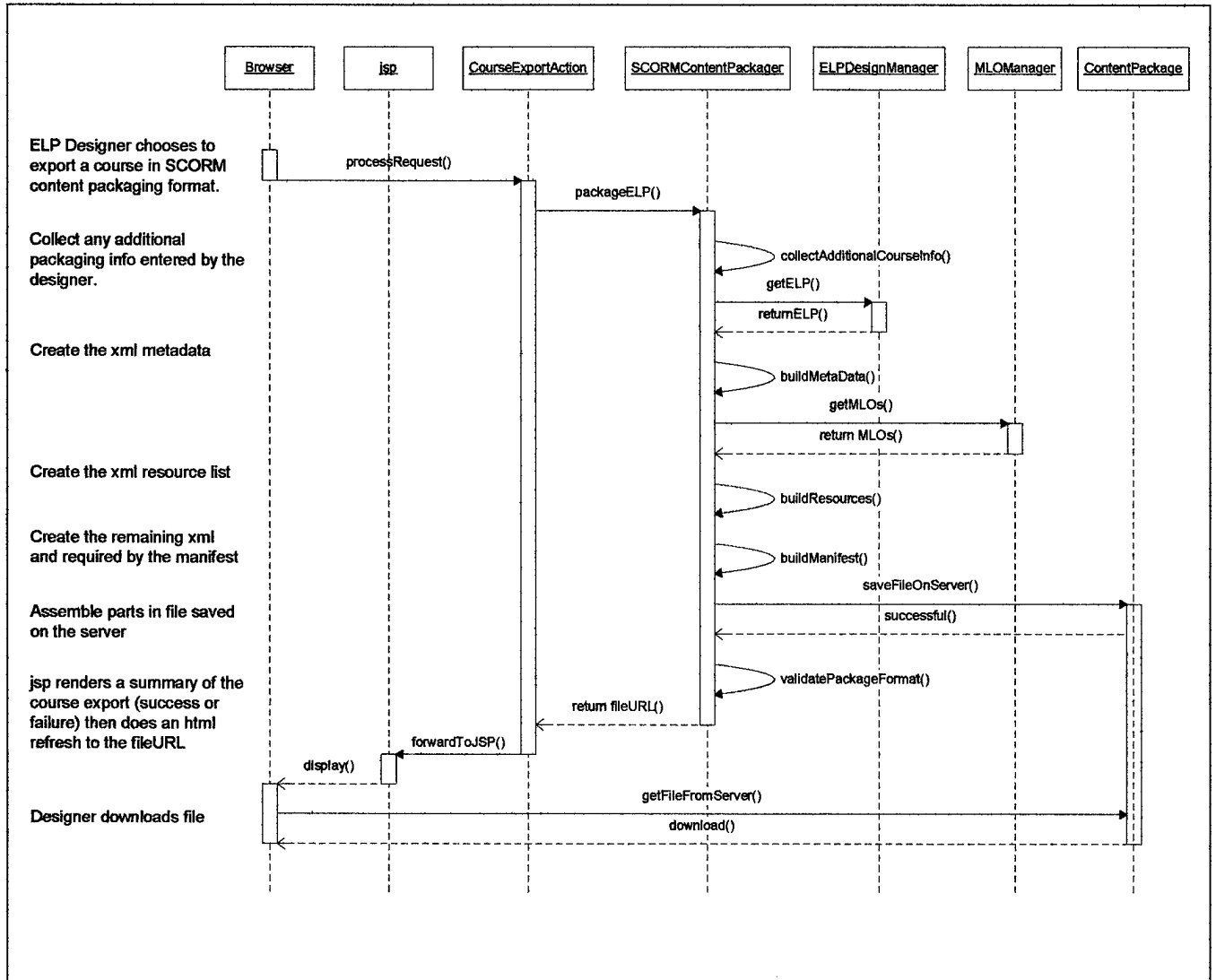


**Control Flow Diagram** - Complete this section to show the control flow and the data flow of the key components or objects of the architecture.











**Data Structure** - Complete this section to describe the data structure.

Oracle Abstract DataTypes. Format: column name (datatype)

```

METADATA (METADATA_TY)
  GENERAL (GENERAL_TY)
    TITLE (VARCHAR2(1000))
    CATALOGENTRIES (CATALOGENTRIES_VA(10))
      CATALOGENTRY (CATALOGENTRY_TY)
        CATALOG( VARCHAR2(1000))
        ENTRY( VARCHAR2(1000))
    DESCRIPTIONS(DESCRIPTIONS_VA(10))
      DESCRIPTION(VARCHAR2(2000))
    KEYWORDS(VARCHAR2(1000))
  LIFECYCLE (LIFECYCLE_TY)
    VERSION (VARCHAR2(50))
    STATUS (VARCHAR2(50)) (Draft/Final/Revised/Unavailable)
  TECHNICAL (TECHNICAL_TY)
    FORMATS(FORMATS_VA(40))
      FORMAT (VARCHAR2(500))
    LOCATIONS(LOCATIONS_VA(10))
      LOCATION (VARCHAR2(1000))
  RIGHTS (RIGHTS_TY)
    COST(VARCHAR2(10)) yes/no
    COPYRIGHTS(VARCHAR2(10)) yes/no
  CLASSIFICATIONS (CLASSIFICATIONS_VA(40))
    CLASSIFICATION (CLASSIFICATION_TY)
      PURPOSE (VARCHAR2(50))
        Discipline/Idea/Prerequisite/Educational Objective/Accessibility Restrictions/
        Educational Level/Skill Level/Security Level
    DESCRIPTION (VARCHAR2(2000))
    KEYWORDS (VARCHAR2(1000))

```

**Third Party Package Description** - Complete this section to describe any third party packages.

JDOM xml writer. JDOM is an open-source Java package for manipulating XML documents. It provides a clear class-driven API for reading, writing, and manipulating XML documents.



## Technical Data - FFP - Commercialization Metrics Report

IAW CDRL AOO3

Item No: 001AL

Contract #: USZA-22-01-C-0024

Grant #: OSD00-CR09 Phase II

Implementing Adaptive Technology and Supplemental Curriculum for Anatomy and Physiology

### 1. Market Summary

#### 1.1. The Case For E-learning

E-learning is fundamentally changing the rules and modalities of education and training. Globally, organizations are challenged to continually enhance the knowledge and competencies of their employees, and traditional models have given way to Web-based education initiatives. An organization must always strive to stay ahead of its competition with innovative communication and education that is effective, fast, and efficient for all stakeholders, including employees, sales representatives, partners, customers, consumers, and local communities. E-learning's adoption rate is rapidly accelerating: In 1999, the United States spent \$17 billion on outsourced training, \$1.1 billion of which was spent on e-learning solutions. International Data Corporation (IDC) predicts that by 2004 e-learning expenditures will grow to \$14.5 billion in the United States and \$23 billion globally.

#### 1.2. Education in the Healthcare Space

In today's information-based economy, pharmaceutical, medical device, biotechnology companies, hospitals and other healthcare organizations are exploiting the Internet and its enabling technologies to reduce costs, achieve efficiencies, and create additional value for employee training and education, and maximize market potential and sales. One of these Internet-enabled areas is e-learning.

Any pharmaceutical or medical device brand manager seeking to accelerate product launches globally cannot afford to rely only on traditional classroom-based training, be it for developing basic competencies in anatomy and physiology or for product training and positioning as part of a new drug launch or new indication. The pitfalls of traditional training include physical and geographical limitations, outdated and inconsistent information, scheduling and delivery delays, and escalating costs (both travel- and opportunity-related). These issues make for a compelling return on investment justification for e-learning: It is the most cost-effective, convenient, consistent, compelling, and the speediest method of knowledge transfer, deliverable when and where sales representatives need it.

Non-physician healthcare professionals and healthcare students—nurses, EMTs, physician therapists, and healthcare technicians—have a desire and need for personal and professional development. In addition to a broad knowledge base in science and medicine, they also have a critical need to develop their understanding of disease treatment and prevention, and prepare them for the changes occurring in healthcare delivery and managed care and the impact that these changes will have on their professions.

There are two broad end-user audiences that Medsn targets with its catalog offerings:

- Sales force training



Medsn Inc.  
8520 National Blvd.  
Culver City, CA 90232

Telephone 310 899 9000  
Facsimile 310 899 9009  
www.medsn.com



- New hire training
- Drug launch training
- New indication training
- Non-physician healthcare professionals and healthcare students
  - Nurses
  - EMTs
  - Physical therapists
  - Healthcare technicians (i.e., respiratory, radiology, etc.)

For example, new hire training may include Medsn courseware on Foundational Anatomy and Physiology followed by one or more Organ Systems related to the company's key therapeutic areas. The experienced sales reps will typically need training on a single Organ System. Medsn will sell the content for both new sales reps and veteran sales reps, along with other customized training, while the Anatomy and Physiology training will always be bundled as a custom solution as is being done successfully today.


Medsn technological capabilities, developed as part of the SBIR grant, address customers' needs for customized learning solutions and successful implementation of e-learning, with the added advantage of being provide by a single vendor that can offer both content and technological capabilities.

## 2. Product Definition

Medsn has created a comprehensive library of 15 hours of computer-based courseware to revolutionize anatomy and physiology training for the non-clinician. Mastery of core anatomy and physiology concepts is an essential prerequisite for all disease and therapeutic training. By offering these courses in both a web-based and CD-ROM environment, Medsn provides pharmaceutical, biotech, and medical device companies, hospitals, and healthcare organizations with an accessible and affordable foundational training alternative.

Created for and used by pharmaceutical sales reps, nurses, EMTs and other non-physician healthcare professionals, these anatomy and physiology modules contain an appropriate mix of rich text, synchronized audio, compelling graphics, high-impact medical images, and Flash-based animations to create an engaging learning experience.

The courses listed below are organized by foundation topics and organ systems. Whether online or on CD-ROM, the courses can be incorporated into larger programs, such as drug launch training, or they can stand on their own as basic training.



**Introduction to Anatomy and Physiology** Duration 20 min

Upon completion of this course, students will be able to:

- Describe the importance of structure and function in biology.
- Define anatomy, physiology, and pathophysiology.



Medsn Inc.  
8520 National Blvd.  
Culver City, CA 90232

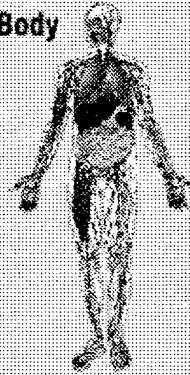
Telephone 310 899 9000  
Facsimile 310 899 9009  
www.medsn.com



### Duration 70 min **Organization of the Body**

Upon completion of this course, students will be able to:

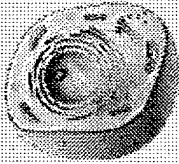
- Identify and describe the levels of organization of the body from the simplest to the most complex.
- Use anatomical terminology to describe anatomical positions, directions, and sections.
- Identify the organ systems of the human body and list the major components and primary functions of each system.
- Review body cavities and their major organs.



### **Cells** Duration 60 min

Upon completion of this course, students will be able to:

- Describe cell theory and identify the structures of the cell and its primary functions.
- Define permeability and discuss the mechanisms involved in the movement of substances across the cell membrane.
- Define homeostasis and describe the mechanisms involved in homeostatic regulation.
- Define metabolism, catabolism, and anabolism.
- Discuss carbohydrate metabolism.



### Duration 30 min **Tissues**

Upon completion of this course, students will be able to:

- Identify the four major tissue types and their roles.



### **Integumentary System** Duration 20 min

Upon completion of this course, students will be able to:

- Describe the functions of the integumentary system.
- Describe the main structural features of the skin.

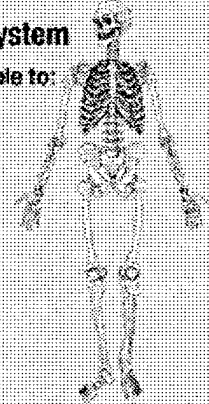




### Duration 30 min **Skeletal System**

Upon completion of this course, students will be able to:

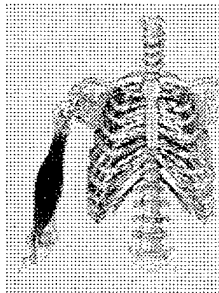
- Describe the functions of the skeletal system.
- Identify the components and functions of the axial and appendicular skeletons.
- Explain how bones are classified.
- Explain how joints are classified.



### **Muscular System** Duration 30 min

Upon completion of this course, students will be able to:

- Describe the general properties and functions of muscles.
- Identify the three types of muscle.
- Compare and contrast the structure and function of muscle types.



### **Nervous System** Duration 90 min

Upon completion of this course, students will be able to:

- State the functions of the nervous system.
- Name the major divisions of the nervous system.
- Compare the structure and function of neurons and neuroglia.
- Describe the major types of neurons.
- Understand the resting membrane potential of neurons.
- Describe how impulses (action potentials) are transmitted.
- Describe the elements of synaptic communication.
- Identify the components of the central nervous system.
- Describe the functions of the meninges and cerebrospinal fluid.
- Identify and describe the functions of the major regions of the brain.
- Discuss the structure and function of the spinal cord.
- Identify the components of the peripheral nervous system.
- Discuss the divisions and functions of the autonomic nervous system.
- Describe the relationship between the sympathetic and parasympathetic divisions of the autonomic nervous system.

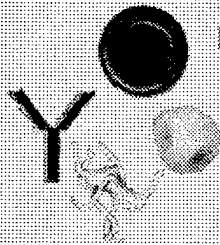
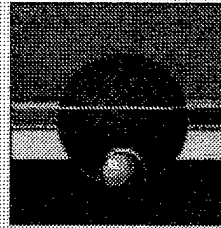




### Duration 45 min **Endocrine System**

Upon completion of this course, students will be able to:

- Describe the functions of the endocrine system.
- Compare the functions of the endocrine and nervous systems.
- Describe the structure of hormones and the general mechanisms of hormonal action.
- Discuss the regulatory processes of hormonal secretion.



### Hematology Duration 45 min

Upon completion of this course, students will be able to:

- State the functions of blood.
- Identify the components of blood.
- Describe the production of the formed elements of the blood.
- Discuss the components and functions of plasma.
- Describe the functions of red blood cells, white blood cells, and platelets.
- List the phases of hemostasis.
- Explain the clotting process.

### Duration 120 min **Cardiac System**

Upon completion of this course, students will be able to:

- Describe the location of the heart.
- Describe the function of the pericardium.
- Identify the major vessels and chambers of the heart and describe the flow of blood through the heart.
- Identify the major valves of the heart and describe their functions.
- Describe the heart wall and explain the purpose of coronary circulation.
- Identify the events of the cardiac cycle.
- Describe the relationship between cardiac structures and their role in the cardiac cycle.
- Relate heart sounds to the events of the cardiac cycle.
- Describe the types of cardiac muscle cells.
- Identify the parts of the cardiac conduction pathway and their functions.
- Discuss cardiac conduction and its relationship to an electrocardiogram (ECG).

