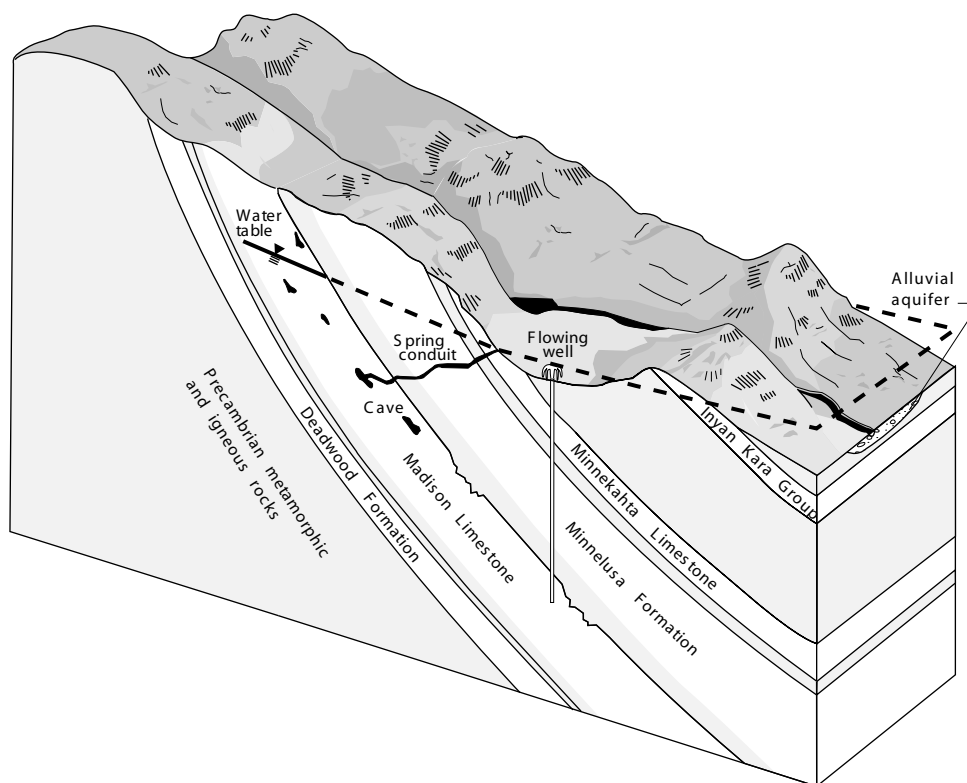


Prepared in cooperation with the
South Dakota Department of Environment and Natural Resources
and the West Dakota Water Development District

Selected Hydrogeologic Data for the Inyan Kara, Minnekahta, Minnelusa, Madison, and Deadwood Aquifers in the Black Hills Area, South Dakota

Open-File Report 99-602



Report Documentation Page

Form Approved
OMB No. 0704-0188

Public reporting burden for the collection of information is estimated to average 1 hour per response, including the time for reviewing instructions, searching existing data sources, gathering and maintaining the data needed, and completing and reviewing the collection of information. Send comments regarding this burden estimate or any other aspect of this collection of information, including suggestions for reducing this burden, to Washington Headquarters Services, Directorate for Information Operations and Reports, 1215 Jefferson Davis Highway, Suite 1204, Arlington VA 22202-4302. Respondents should be aware that notwithstanding any other provision of law, no person shall be subject to a penalty for failing to comply with a collection of information if it does not display a currently valid OMB control number.

1. REPORT DATE 1999		2. REPORT TYPE N/A		3. DATES COVERED -	
4. TITLE AND SUBTITLE Selected Hydrogeologic Data For the Inyan Kara, Minnekahta, Minnelusa, Madison, and Deadwood Aquifers in the Black Hills Area, South Dakota				5a. CONTRACT NUMBER	
				5b. GRANT NUMBER	
				5c. PROGRAM ELEMENT NUMBER	
6. AUTHOR(S)				5d. PROJECT NUMBER	
				5e. TASK NUMBER	
				5f. WORK UNIT NUMBER	
7. PERFORMING ORGANIZATION NAME(S) AND ADDRESS(ES) U.S. Department of the Interior 1849 C Street, NW Washington, DC 20240				8. PERFORMING ORGANIZATION REPORT NUMBER	
9. SPONSORING/MONITORING AGENCY NAME(S) AND ADDRESS(ES)				10. SPONSOR/MONITOR'S ACRONYM(S)	
				11. SPONSOR/MONITOR'S REPORT NUMBER(S)	
12. DISTRIBUTION/AVAILABILITY STATEMENT Approved for public release, distribution unlimited					
13. SUPPLEMENTARY NOTES					
14. ABSTRACT					
15. SUBJECT TERMS					
16. SECURITY CLASSIFICATION OF:			17. LIMITATION OF ABSTRACT SAR	18. NUMBER OF PAGES 63	19a. NAME OF RESPONSIBLE PERSON
a. REPORT unclassified	b. ABSTRACT unclassified	c. THIS PAGE unclassified			

U.S. Department of the Interior
U.S. Geological Survey

Selected Hydrogeologic Data for the Inyan Kara, Minnekahta, Minnelusa, Madison, and Deadwood Aquifers in the Black Hills Area, South Dakota

By Joel M. Galloway

Open-File Report 99-602

Prepared in cooperation with the
South Dakota Department of Environment and Natural Resources
and the West Dakota Water Development District

U.S. Department of the Interior

Bruce Babbitt, Secretary

U.S. Geological Survey

Charles G. Groat, Director

The use of firm, trade, and brand names in this report is for identification purposes only and does not constitute endorsement by the U.S. Geological Survey.

Rapid City, South Dakota: 2000

For additional information write to:

District Chief

U.S. Geological Survey

1608 Mt. View Road

Rapid City, SD 57702

Copies of this report can be purchased from:

U.S. Geological Survey

Information Services

Box 25286

Denver, CO 80225-0286

CONTENTS

- Abstract..... 1
- Introduction 1
 - Methods of Station Identification 4
- Hydrogeologic Data..... 4
- References Cited..... 6

ILLUSTRATIONS

- 1. Map showing area of investigation for the Black Hills Hydrology Study..... 2
- 2. Stratigraphic section for the Black Hills..... 3
- 3. Schematic showing simplified hydrogeologic setting of the Black Hills area 4
- 4. Description of system for assignment of local numbers..... 5

TABLES

- 1. Selected data for wells used in developing potentiometric map for the Inyan Kara aquifer..... 9
- 2. Selected data for wells used in developing potentiometric map for the Minnekahta aquifer..... 19
- 3. Selected data for wells used in developing potentiometric map for the Minnelusa aquifer..... 22
- 4. Selected data for wells used in developing potentiometric map for the Madison aquifer..... 42
- 5. Selected data for wells used in developing potentiometric map for the Deadwood aquifer 50
- 6. Selected data for springs used in developing potentiometric map for the Inyan Kara aquifer..... 55
- 7. Selected data for springs used in developing potentiometric map for Minnekahta aquifer 55
- 8. Selected data for springs used in developing potentiometric map for the Minnelusa aquifer..... 56
- 9. Selected data for springs used in developing potentiometric map for the Madison aquifer..... 58
- 10. Selected data for springs used in developing potentiometric map for the Deadwood aquifer 60

VERTICAL DATUM

Sea level: In this report, "sea level" refers to the National Geodetic Vertical Datum of 1929 (NGVD of 1929)—a geodetic datum derived from a general adjustment of the first-order level nets of both the United States and Canada, formerly called Sea Level Datum of 1929.

Selected Hydrogeologic Data for the Inyan Kara, Minnekahta, Minnelusa, Madison, and Deadwood Aquifers in the Black Hills Area, South Dakota

By Joel M. Galloway

ABSTRACT

This report presents selected hydrogeologic data on wells and springs in the Inyan Kara, Minnekahta, Minnelusa, Madison, and Deadwood aquifers in the Black Hills area of western South Dakota. The data were used to create potentiometric maps for these five aquifers.

INTRODUCTION

The Black Hills Hydrology Study was initiated in 1990 to assess the quantity, quality, and distribution of surface water and ground water in the Black Hills area of South Dakota (Driscoll, 1992). This long-term study is a cooperative effort between the U.S. Geological Survey (USGS), the South Dakota Department of Environment and Natural Resources, and the West Dakota Water Development District, which represents various local and county cooperators.

The study area (fig. 1) consists of the topographically defined Black Hills and adjacent areas located in western South Dakota. The Black Hills area is an elongated, dome-shaped feature, about 125 miles long and 60 miles wide, which was uplifted during the Laramide orogeny (Feldman and Heimlich, 1980). The oldest geologic units in the study area are Precambrian metamorphic and igneous rocks (fig. 2), which are

exposed in the central core of the Black Hills. Surrounding the Precambrian core is a layered series of sedimentary rocks including limestones, sandstones, and shales that are exposed in roughly concentric rings around the uplifted flanks of the Black Hills. The bed-rock sedimentary units typically dip away from the uplifted Black Hills at angles that approach or exceed 10 degrees near the outcrops, and decrease with distance from the uplift. Many of the sedimentary units contain aquifers, both within and beyond the study area. Major aquifers in the study area include the Inyan Kara, Minnekahta, Minnelusa, Madison, and Deadwood aquifers (fig. 3). Recharge to these aquifers occurs from infiltration of precipitation upon the outcrops and, in some cases, from infiltration of streamflow (Hortness and Driscoll, 1998). Artesian conditions generally exist within these aquifers, where an upper confining layer is present. Flowing wells and artesian springs that originate from confined aquifers are common around the periphery of the Black Hills.

The purpose of this report is to present selected hydrogeologic data for wells and springs that were used in the construction of potentiometric maps of selected aquifers within the study area. The potentiometric maps presented by Strobel and others (2000a, 2000b, 2000c, 2000d, 2000e) were produced at a scale of 1:100,000 for the Inyan Kara, Minnekahta, Minnelusa, Madison, and Deadwood aquifers.

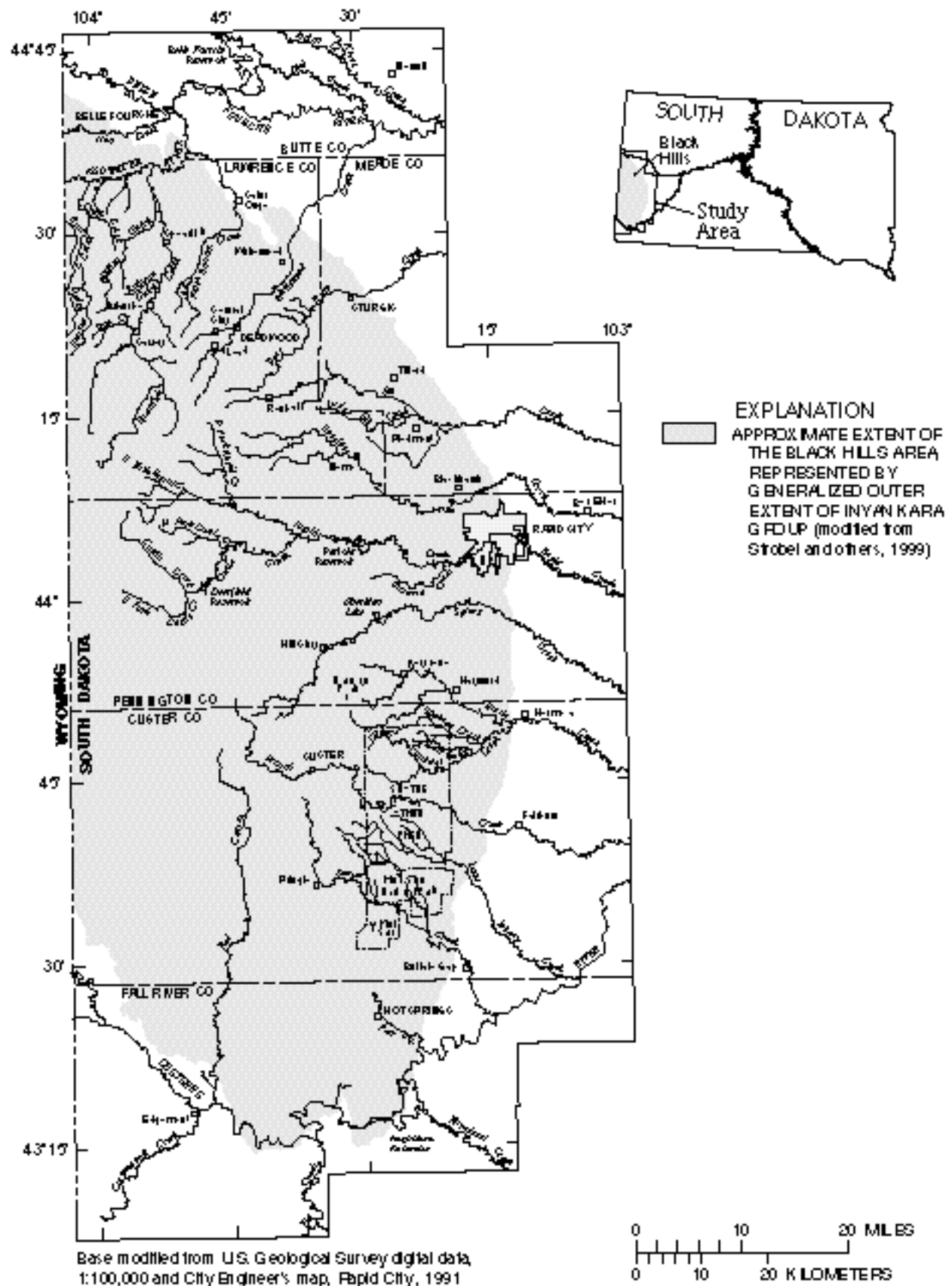


Figure 1. Area of investigation for the Black Hills Hydrology Study.

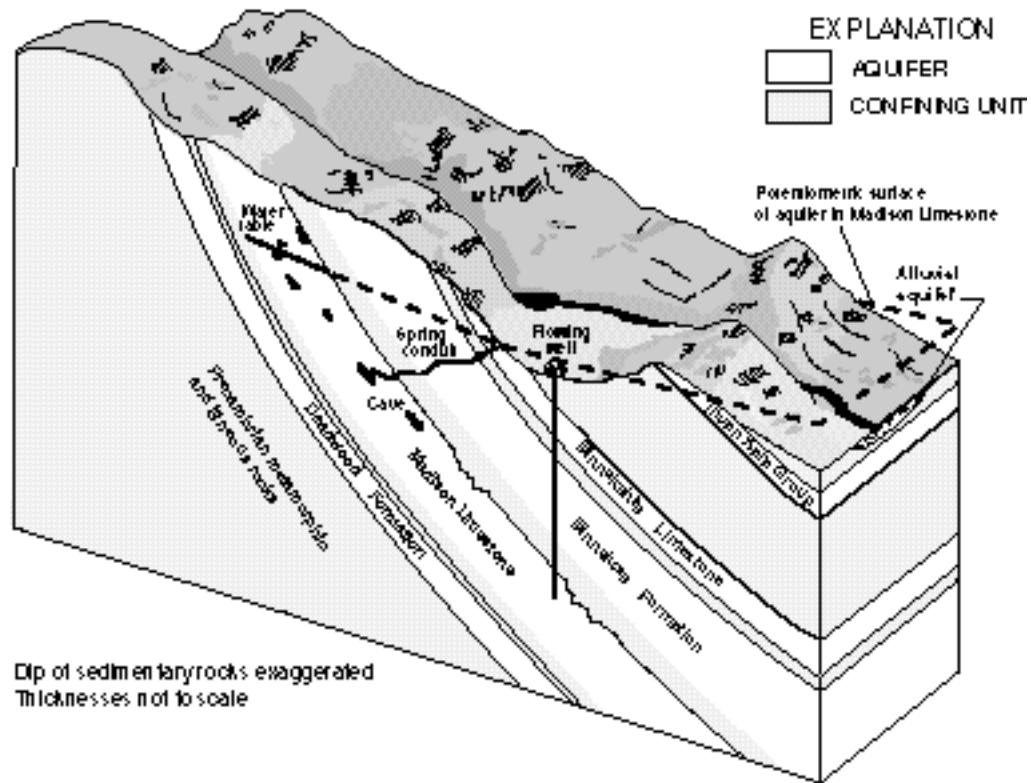


Figure 3. Schematic showing simplified hydrogeologic setting of the Black Hills area.

Methods of Station Identification

Two methods of station identification are used within this report to identify sites for which data are presented. One method used to describe the location of a site is the local number, which is based on the Federal land-survey system for western South Dakota (fig. 4). The local number consists of the township number followed by “N” or “S” (north or south of the Black Hills Baseline), the range number followed by “E” or “W” (east or west of the Black Hills Meridian), and the section number, followed by a maximum of four letters that indicate, respectively, the 160-, 40-, 10-, and 2.5-acre tract in which the site is located. A number following the last letter is used to distinguish between wells or springs when two or more are located in the same 2.5-acre tract. Thus, well 4N6E19AABA is in the NE1/4NW1/4NE1/4NE1/4, sec. 19, T. 4 N., R. 6 E. (fig. 4).

Another method used to describe a site is the station identification number, which is based on the international system of latitude and longitude. The

number contains 15 digits. The first six digits denote the degrees, minutes and seconds of latitude north of the equator. The next seven digits denote the degrees, minutes, and seconds of longitude west of the prime (Greenwich) meridian. The last two digits are sequential numbers for sites located at the same latitude and longitude. The latitudes and longitudes originally assigned to sites occasionally are updated. In these cases, the latitude and longitude are corrected, but the station number remains unchanged. Thus, the latitude or longitude may not correspond exactly with the station identification number.

HYDROGEOLOGIC DATA

Selected data are presented for wells and springs used in developing potentiometric maps by Strobel and others (2000a, 2000b, 2000c, 2000d, 2000e). Data are presented in tables 1-5, respectively, for wells completed in the Inyan Kara, Minnekahta, Minnelusa, Madison, and Deadwood aquifers. Selected data for

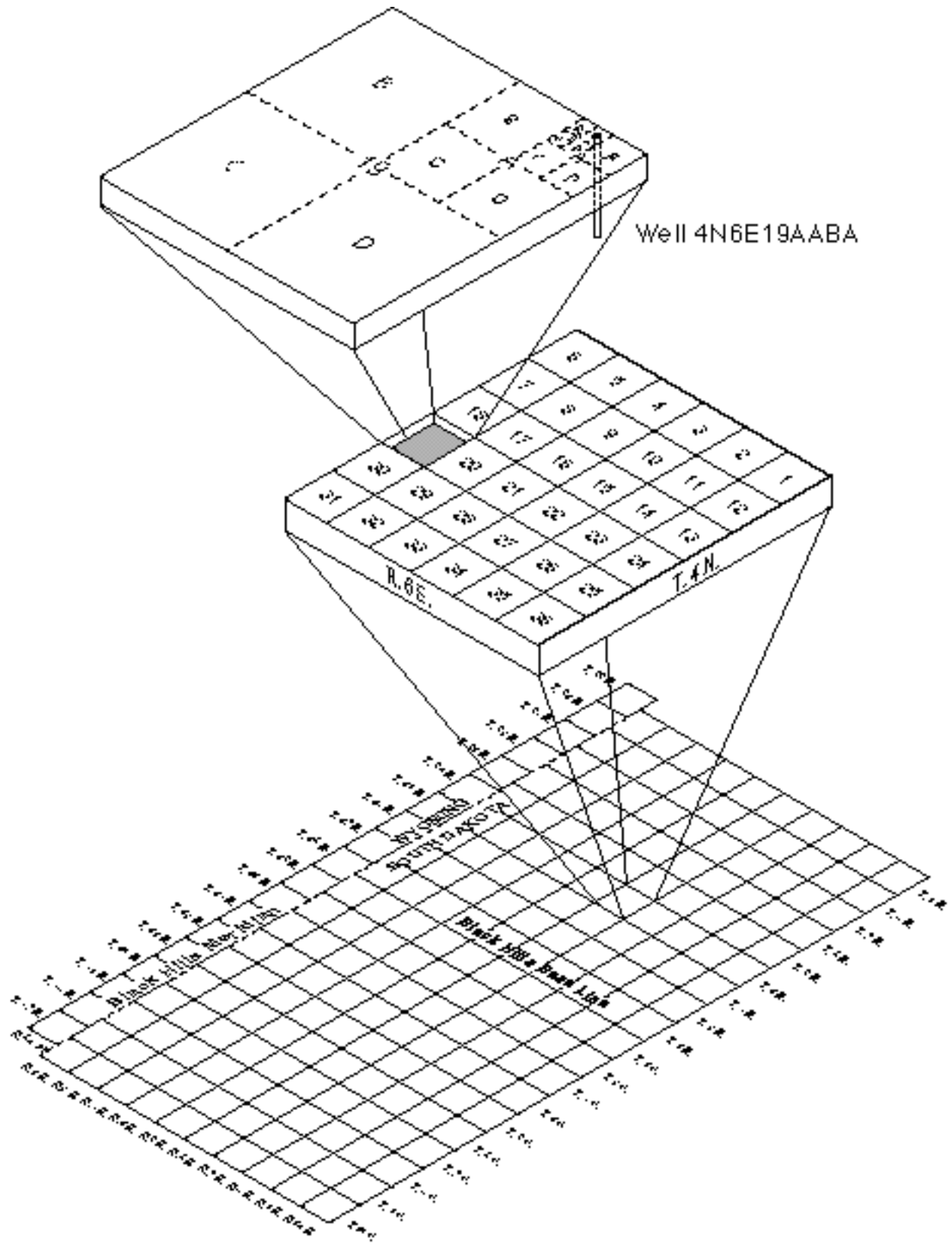


Figure 4. System for assignment of local numbers.

springs are presented in tables 6-10. For wells (tables 1-5), the mean hydraulic head, which is the level to which water will rise in a properly constructed well, was used in creating the potentiometric maps, and for springs (tables 6-10), the altitude of each spring was used.

Water-level data for wells include all measurements recorded for each well. The majority of wells have a single water-level measurement in the ground-water database that usually was taken immediately following completion of the well. In cases where multiple water levels are available, a mean value for all measurements was calculated. Many of the wells with multiple measurements are observation wells that have been instrumented with continuous recorders, from which daily water-level records are compiled. A mean water level for the observation well was calculated by taking an average of the daily values for these sites.

REFERENCES CITED

- Driscoll, D.G., 1992, Plan of study for the Black Hills Hydrology Study, South Dakota: U.S. Geological Survey Open-File Report 92-84, 10 p.
- Feldman, R.M., and Heimlich, R.A., 1980, The Black Hills: K/H Geology Field Guide Series, Kendall/Hunt Publishing Company, Kent State University, Kent, Ohio, 190 p.
- Hortness, J.E., and Driscoll, D.G., 1998, Streamflow losses in the Black Hills of western South Dakota: U.S. Geological Survey Water-Resources Investigations Report 98-4116, 99 p.
- Strobel, M.L., Galloway, J.M., Hamade, G.R., and Jarrell, G.J., 2000a, Potentiometric surface of the Inyan Kara aquifer in the Black Hills area, South Dakota: U.S. Geological Survey Hydrologic Investigations Atlas HA-745-A, 2 sheets, scale 1:100,000.
- 2000b, Potentiometric surface of the Minnekahta aquifer in the Black Hills area, South Dakota: U.S. Geological Survey Hydrologic Investigations Atlas HA-745-B, 2 sheets, scale 1:100,000.
- 2000c, Potentiometric surface of the Minnelusa aquifer in the Black Hills area, South Dakota: U.S. Geological Survey Hydrologic Investigations Atlas HA-745-C, 2 sheets, scale 1:100,000.
- 2000d, Potentiometric surface of the Madison aquifer in the Black Hills area, South Dakota: U.S. Geological Survey Hydrologic Investigations Atlas HA-745-D, 2 sheets, scale 1:100,000.
- 2000e, Potentiometric surface of the Deadwood aquifer in the Black Hills area, South Dakota: U.S. Geological Survey Hydrologic Investigations Atlas HA-745-E, 2 sheets, scale 1:100,000.
- Strobel, M.L., Jarrell, G.J., Sawyer, J.F., Schleicher, J.R., and Fahrenbach, M.D., 1999, Distribution of hydrogeologic units in the Black Hills area, South Dakota: U.S. Geological Survey Hydrologic Investigations Atlas HA-743, 3 sheets, scale 1:100,000.

TABLES

Table 1. Selected data for wells used in developing potentiometric map for the Inyan Kara aquifer

[--, no data]

USGS local number	Station identification number	Latitude (Degrees, minutes, seconds)	Longitude	Well depth, in feet below land surface	Date of first water-level measurement	Date of last water-level measurement	Number of water-level measurements	Water levels, in feet below or above (-) land surface			Altitude, in feet above sea level	
								Mean	Highest	Lowest	Land surface	Mean hydraulic head
Butte County												
9N 2E33CCD	444102103525301	444131	1035318	1,250	02-12-80	--	1	36	--	--	3,020	2,984
9N 2E33ABBB	444151103524801	444220	1035253	968	01-13-88	--	1	100	--	--	3,180	3,080
9N 2E30CDBC	444227103553801	444227	1035538	780	08-12-72	--	1	48	--	--	3,120	3,072
8N 6E28CCA	443723103240702	443721	1032414	2,390	05-02-96	--	1	-49	--	--	2,768	2,817
8N 4E17AAAB	443944103385901	443944	1033859	1,070	08-18-76	--	1	-76	--	--	2,895	2,971
8N 4E 8DB	444006103391901	444006	1033919	930	09-12-73	--	1	52	--	--	2,940	2,888
8N 3E32BBD	443659103470801	443659	1034708	387	08-02-82	--	1	30	--	--	3,310	3,280
8N 3E31ACCC	443657103473701	443657	1034737	460	04-21-77	--	1	18	--	--	3,220	3,202
8N 3E20DCC	443804103463901	443804	1034639	105	09-01-78	--	1	36	--	--	3,420	3,384
8N 3E20	443827103464401	443827	1034644	160	04-22-78	--	1	40	--	--	3,250	3,210
8N 3E10A	444025103440101	444025	1034401	680	02-27-89	--	1	-8	--	--	2,950	2,958
8N 3E 7BBCB	444022103482601	444022	1034826	860	11-01-57	--	1	59	--	--	3,115	3,056
8N 3E 7AABA	444036103473301	444036	1034733	1,010	07-30-79	--	1	140	--	--	3,145	3,005
8N 3E 6CCA	444048103481701	444048	1034817	886	09-26-51	--	1	60	--	--	3,075	3,015
8N 3E 5BABB	444129103465801	444129	1034658	1,020	06-10-77	--	1	8	--	--	3,010	3,002
8N 2E30BB	443756103553601	443756	1035536	180	11-07-80	--	1	5	--	--	3,240	3,235
8N 2E30AAA	443757103544201	443757	1035442	302	06-20-80	--	1	50	--	--	3,240	3,190
8N 2E29BDBB	443747103541601	443747	1035416	320	08-02-91	--	1	40	--	--	3,290	3,250
8N 2E29BAA	443758103540601	443758	1035406	320	08-08-91	--	1	50	--	--	3,290	3,240
8N 2E29ACAC	443744103535001	443744	1035350	200	04-24-64	--	1	55	--	--	3,280	3,225
8N 2E29AAA	443805103532601	443757	1035333	240	07-01-80	--	1	100	--	--	3,220	3,120
8N 2E26DBDD	443723103500501	443723	1035005	180	08-09-91	--	1	75	--	--	3,270	3,195
8N 2E25CCBA	443719103494701	443719	1034937	340	10-11-83	--	1	2	--	--	3,190	3,188

Table 1. Selected data for wells used in developing potentiometric map for the Inyan Kara aquifer—Continued
[—, no data]

USGS local number	Station identification number	Latitude (Degrees, minutes, seconds)	Longitude	Well depth, in feet below land surface	Date of first water-level measurement	Date of last water-level measurement	Number of water-level measurements	Water levels, in feet below or above (-) land surface			Altitude, in feet above sea level	
								Mean	Highest	Lowest	Land surface	Mean hydraulic head
Butte County—Continued												
8N 2E23DCCA	443806103501301	443806	1035013	260	04-21-75	05-24-89	10	59	46.0	66.7	3,160	3,101
8N 2E23CD	443808103510801	443808	1035108	240	08-25-83	--	1	110	--	--	3,160	3,050
8N 2E23CCCD	443804103505101	443804	1035051	300	06-06-89	--	1	130	--	--	3,220	3,090
8N 2E23CACB	443820103503701	443820	1035037	240	07- -90	--	1	45	--	--	3,140	3,095
8N 2E22ACCD	443810103510601	443828	1035126	125	04-15-75	--	1	25	--	--	3,170	3,145
8N 2E22AAC	443812103511301	443843	1035113	260	07-14-75	--	1	30	--	--	3,170	3,140
8N 2E21CDBD	443810103525701	443810	1035257	420	11-13-87	--	1	57	--	--	3,230	3,173
8N 2E21CDBC	443810103525601	443810	1035256	340	06-04-80	04-24-87	8	158	122.5	195.0	3,220	3,062
8N 2E20CCD	443806103542101	443806	1035421	420	07-02-80	--	1	110	--	--	3,240	3,130
8N 2E19DBBD	443824103550501	443824	1035505	100	07-20-91	--	1	35	--	--	3,160	3,125
8N 2E19C	443814103552101	443814	1035521	190	11-07-80	--	1	25	--	--	3,185	3,160
8N 2E16DDD	443855103521501	443855	1035215	400	07-06-78	--	1	67	--	--	3,175	3,108
8N 2E16BDD	443934103530501	443934	1035305	300	06-20-73	--	1	12	--	--	3,160	3,148
8N 2E16AACC	443934103522801	443934	1035228	520	12-15-73	--	1	49	--	--	3,150	3,101
8N 2E15DDC	443858103510901	443858	1035109	340	08-18-79	--	1	100	--	--	3,170	3,070
8N 2E14DDDB	443857103495101	443857	1034951	440	01-10-84	--	1	40	--	--	3,087	3,047
8N 2E14DC	443905103501201	443905	1035012	430	06-25-79	--	1	31	--	--	3,090	3,059
8N 2E14D	443906103500201	443906	1035002	360	11-03-80	--	1	40	--	--	3,088	3,048
8N 2E14CDD	443859103502801	443859	1035028	340	10-18-79	--	1	40	--	--	3,133	3,093
8N 2E14AD3	443928103495303	443928	1034953	520	01-26-77	--	1	20	--	--	3,065	3,045
8N 2E14ACBB	443855103493001	443933	1034959	455	09-05-82	--	1	40	--	--	3,050	3,010
8N 2E12DDA	443955103490201	443955	1034837	830	09-27-80	--	1	100	--	--	3,142	3,042
8N 2E11DDBD2	443954103495302	443954	1034953	435	09-15-74	--	1	10	--	--	3,033	3,023

Table 1. Selected data for wells used in developing potentiometric map for the Inyan Kara aquifer—Continued
[--, no data]

USGS local number	Station identification number	Latitude (Degrees, minutes, seconds)	Longitude	Well depth, in feet below land surface	Date of first water-level measurement	Date of last water-level measurement	Number of water-level measurements	Water levels, in feet below or above (-) land surface			Altitude, in feet above sea level	
								Mean	Highest	Lowest	Land surface	Mean hydraulic head
Butte County—Continued												
8N 2E11DDBD	443954103495301	443954	1034953	376	06-25-79	--	1	50	--	--	3,033	2,983
8N 2E 7BCDB	444018103553701	444018	1035537	600	09-15-89	--	1	90	--	--	3,300	3,210
8N 2E 2BBBB	444129103505501	444129	1035055	760	09-25-73	--	1	49	--	--	3,049	3,000
8N 1E25DCB	443717103561501	443717	1035615	120	10-04-82	--	1	10	--	--	3,300	3,290
8N 1E24CBDD	443816103564401	443816	1035644	220	06-27-76	--	1	100	--	--	3,250	3,150
8N 1E24ABAA	443854103560401	443854	1035604	180	11-01-78	--	1	50	--	--	3,245	3,195
8N 1E 4BDD	444112103001001	444107	1040010	180	10-07-75	--	1	58	--	--	3,280	3,222
Lawrence County												
7N 4E32DBCD	443107103392801	443117	1033926	200	09-04-74	--	1	52	--	--	3,530	3,478
7N 4E31DCDC	443105103403001	443105	1034030	220	06-25-92	--	1	7	--	--	3,567	3,560
7N 4E29CDBC	443204103395001	443204	1033950	420	09-07-88	--	1	149	--	--	3,550	3,401
7N 4E25ADBB	443230103342001	443230	1033420	1,020	04-15-89	--	1	-8	--	--	3,187	3,195
7N 4E11ADDB	443503103352001	443503	1033520	780	07-09-89	--	1	-19	--	--	3,112	3,131
7N 4E 7CDA	443451103403801	443435	1034053	365	07-23-74	--	1	42	--	--	3,320	3,278
7N 3E26BCBA	443228103433601	443235	1034337	295	10-11-58	--	1	28	--	--	3,445	3,417
7N 3E26BAAA	443245103434001	443245	1034312	594	06-17-82	--	1	28	--	--	3,432	3,404
7N 3E26ADBB	443257103422001	443235	1034246	380	08-21-85	--	1	60	--	--	3,460	3,400
7N 3E25ADBD	443338103413301	443231	1034128	510	01-01-59	--	1	35	--	--	3,500	3,465
7N 3E23DAAD ¹	443306103434001	443311	1034347	390	01-16-91	--	(²)	255	53.6	66.4	3,409	3,354
7N 3E23BBCC2	443327103425701	443327	1034343	260	04-24-81	--	1	85	--	--	3,390	3,305
7N 3E22CDBB	443407103442902	443259	1034435	210	12-19-74	--	1	77	--	--	3,430	3,353
7N 3E20AD	443322103461801	443322	1034618	--	01-01-60	--	1	120	--	--	3,530	3,410
7N 3E18DBCD	443347103474701	443352	1034754	29.5	07-22-92	--	1	25	--	--	3,377	3,352

Table 1. Selected data for wells used in developing potentiometric map for the Inyan Kara aquifer—Continued
[--, no data]

USGS local number	Station identification number	Latitude (Degrees, minutes, seconds)	Longitude	Well depth, in feet below land surface	Date of first water-level measurement	Date of last water-level measurement	Number of water-level measurements	Water levels, in feet below or above (-) land surface			Altitude, in feet above sea level	
								Mean	Highest	Lowest	Land surface	Mean hydraulic head
Lawrence County—Continued												
7N 3E 9DBBD	443454I03452701	443454	1034527	450	01-01-71	--	1	-16	--	--	3,300	3,316
7N 3E 9CADD	443447I03453601	443447	1034536	500	07-22-92	--	1	20	--	--	3,350	3,330
7N 3E 5	443552I03464201	443552	1034642	36	05-10-78	--	1	8	--	--	3,345	3,337
6N 4E8AB	443044I03392401	443005	1033924	180	05-20-91	--	1	90	--	--	3,740	3,650
6N 4E17DCAB	442843I03392001	442839	1033924	195	06-19-80	--	1	110	--	--	3,740	3,630
6N 4E 7CAAA	442943I03404501	442943	1034045	135	11-29-61	--	1	30	--	--	3,750	3,720
6N 4E 2DCB	443022I03361101	443016	1033612	240	06-13-79	--	1	30	--	--	3,390	3,360
Meade County												
6N 6E 7BAB	443010I03263701	443010	1032637	1,560	12-12-85	--	1	70	--	--	3,100	3,030
6N 5E29CBA	442723I03331201	442704	1033244	80	05-27-88	--	1	20	--	--	3,340	3,320
6N 5E29BB	442732I03324801	442732	1033248	80	10-08-86	--	1	40	--	--	3,440	3,400
6N 5E28DBAA2	442707I03313001	442707	1033130	119	04-09-77	--	1	15	--	--	3,250	3,235
6N 5E28DBAA	442702I03305701	442702	1033057	91	05-05-82	--	1	11	--	--	3,310	3,299
6N 5E24DDDD	442739I03265601	442739	1032656	500	04-18-76	--	1	0	--	--	3,190	3,190
6N 5E22DDBC	442545I03291501	442743	1032930	900	08-20-57	09-27-96	31	-49	-60.3	-31.0	3,180	3,229
6N 5E22BBBB	442823I03302101	442823	1033021	--	09-26-78	--	1	4	--	--	3,208	3,204
6N 5E21DABA	442755I03302501	442758	1033041	502	06-19-59	04-15-87	30	9	1.0	12.9	3,225	3,216
6N 5E21DAB	442758I03304401	442758	1033044	510	09-25-88	--	1	10	--	--	3,240	3,230
6N 5E19AD	442809I03330301	442809	1033303	220	06-10-79	--	1	30	--	--	3,350	3,320
6N 5E19AAAC	442804I03330401	442804	1033304	285	10-12-77	03-25-98	14	7	4.3	8.5	3,325	3,318
6N 5E18DAAD	442848I03325601	442848	1033256	430	-	-56	1	14	--	--	3,300	3,286
6N 5E17BCCC	442854I03325201	442854	1033252	580	05-12-82	--	1	-23	--	--	3,275	3,298
6N 5E17BBAD	442913I03315001	442913	1033238	--	02-11-55	--	1	21	--	--	3,240	3,219

Table 1. Selected data for wells used in developing potentiometric map for the Inyan Kara aquifer—Continued
[--, no data]

USGS local number	Station identification number	Latitude (Degrees, minutes, seconds)	Longitude	Well depth, in feet below land surface	Date of first water-level measurement	Date of last water-level measurement	Number of water-level measurements	Water levels, in feet below or above (-) land surface			Altitude, in feet above sea level	
								Mean	Highest	Lowest	Land surface	Mean hydraulic head
Meade County—Continued												
6N 5E16CDCC ¹	442828103312001	442828	1033128	482	09-08-89	09-01-98	(²)	268	63.2	74.1	3,274	3,206
6N 5E 8ADAAD	442946103321301	442959	1033143	--	01-01-56	--	1	14	--	--	3,220	3,206
5N 6E25ABBB	442214103200401	442222	1032014	816	10-12-82	--	1	1	--	--	3,040	3,039
5N 6E20BBDA	442310103251202	442310	1032524	470	12-14-82	--	1	-24	--	--	3,295	3,319
5N 6E19B	442303103262801	442303	1032628	--	05-27-78	--	1	20	--	--	3,400	3,380
5N 6E18DCAA	442326103260201	442326	1032602	358	03-03-57	--	1	-35	--	--	3,330	3,365
5N 6E18BAAA	442355103255201	442403	1032618	465	08-26-82	--	1	-48	--	--	3,270	3,318
5N 6E17DBBB	442334103243201	442334	1032432	570	10-04-82	--	1	-7	--	--	3,240	3,247
5N 6E17BAC	442359103251901	442359	1032519	640	05-08-92	--	1	0	--	--	3,220	3,220
5N 6E 7DAC	442422103254301	442422	1032543	1,160	03-30-87	--	1	-18	--	--	3,250	3,268
4N 8E 2ADD	442014103064301	442014	1030643	2,390	07-02-69	--	1	81	--	--	2,800	2,719
4N 7E27BCCD2	441648103085601	441645	1031610	1,240	08-19-82	--	1	-8	--	--	3,090	3,098
4N 7E17DAAA	441816103102001	441824	1031736	1,120	08-23-62	--	1	-2	--	--	3,120	3,122
4N 7E13BABB	441847103134401	441828	1031344	1,870	08-30-82	--	1	14	--	--	3,150	3,136
4N 6E25ACAB	441834103232501	441655	1032020	360	06-19-78	--	1	-21	--	--	3,240	3,261
4N 6E16DADC	441826103240801	441826	1032408	205	04-14-82	--	1	-9	--	--	3,480	3,489
4N 6E14BACC	441839103204901	441839	1032049	364	04-28-82	--	1	-2	--	--	3,243	3,245
4N 6E13BBBC	441820103205801	441850	1032105	795	04-28-82	--	1	-2	--	--	3,220	3,222
4N 6E11CDBA	441859103215301	441903	1032153	415	08-24-82	--	1	13	--	--	3,245	3,232
4N 6E11CACC	441918103214301	441908	1032201	688	08-24-82	--	1	-10	--	--	3,258	3,268
4N 6E11CAAA	441938103215301	441916	1032145	423	08-24-82	--	1	-1	--	--	3,260	3,261
4N 6E 9BDB	441828103232201	441933	1032408	95	07-13-88	--	1	30	--	--	3,440	3,410
4N 6E 9ABBD	441942103240701	441942	1032407	440	04-28-82	--	1	-15	--	--	3,390	3,405

Table 1. Selected data for wells used in developing potentiometric map for the Inyan Kara aquifer—Continued
[--, no data]

USGS local number	Station identification number	Latitude (Degrees, minutes, seconds)	Longitude	Well depth, in feet below land surface	Date of first water-level measurement	Date of last water-level measurement	Number of water-level measurements	Water levels, in feet below or above (-) land surface			Altitude, in feet above sea level	
								Mean	Highest	Lowest	Land surface	Mean hydraulic head
Meade County—Continued												
3N 8E32BDCB2	441042103110201	441039	1031107	1,620	06-15-61	--	1	144	--	--	3,185	3,041
3N 7E28DBAD	441121103170401	441121	1031704	280	05-18-79	09-17-82	2	56	55.0	56.1	3,380	3,324
3N 7E28CAAD	441125103165801	441125	1031658	123	04-20-84	--	1	50	--	--	3,360	3,310
3N 7E23CAD	441142103143401	441211	1031442	980	06-18-86	--	1	160	--	--	3,178	3,018
3N 7E20DBC	441211103180301	441211	1031803	125	06-21-88	--	1	25	--	--	3,400	3,375
3N 7E 6BAAC	441518103191801	441518	1031918	95	12-13-82	--	1	12	--	--	3,250	3,238
3N 7E 5DDC	441454103180801	441434	1031737	420	10-17-87	--	1	30	--	--	3,218	3,188
3N 6E12DAC	441409103203001	441355	1032012	200	06-29-87	--	1	100	--	--	3,305	3,205
2N 8E 6CCDB	440920103265401	440920	1031232	1,880	08-17-82	--	1	390	--	--	3,520	3,130
2N 7E11DBCA	440846103144201	440846	1031442	300	11-26-72	--	1	130	--	--	3,350	3,220
2N 7E 2DDCC	440920103141501	440920	1031415	644	09-17-82	--	1	66	--	--	3,320	3,254
Pennington County												
2N 9E19DDDD	440642103041501	440642	1030415	2,340	01-01-81	--	1	390	--	--	3,035	2,645
2N 9E17BDDDB	440803103034301	440803	1030343	2,650	01-01-81	--	1	530	--	--	3,150	2,620
2N 9E 8CDBA	440831103040801	440837	1030406	2,400	03- -60	09-22-81	2	468	400.0	535.0	3,170	2,702
2N 8E29CDCA	440548103110701	440548	1031107	1,620	09-23-81	04-13-82	2	174	161.7	186.5	3,222	3,048
2N 8E28BCB	440622103101101	440622	1031011	1,650	05-22-80	03-12-97	14	101	81.6	138.7	3,128	3,027
2N 8E27CBAC	440606103085301	440606	1030853	1,800	04-13-82	--	1	190	--	--	3,150	2,960
2N 8E20CCCD	440650103110001	440641	1031120	1,610	08-09-73	--	1	70	--	--	3,170	3,100
2N 8E18CBAA	440750103123001	440750	1031230	1,520	06-08-73	09-22-81	2	190	189.0	190.0	3,260	3,070
2N 8E17CDD	440735103105601	440735	1031056	1,580	04-14-79	--	1	120	--	--	3,135	3,015
2N 7E35DABD	440517103140501	440517	1031405	49	06-25-90	--	1	8	--	--	3,235	3,227
2N 7E26ACD	440619103141601	440619	1031416	465	04-01-85	--	1	180	--	--	3,440	3,260

Table 1. Selected data for wells used in developing potentiometric map for the Inyan Kara aquifer—Continued
[--, no data]

USGS local number	Station identification number	Latitude (Degrees, minutes, seconds)	Longitude	Well depth, in feet below land surface	Date of first water-level measurement	Date of last water-level measurement	Number of water-level measurements	Water levels, in feet above (-) land surface			Altitude, in feet above sea level	
								Mean	Highest	Lowest	Land surface	Mean hydraulic head
Pennington County—Continued												
2N 7E26AABD	440636103140501	440636	1031405	400	08-03-79	--	1	310	--	--	3,460	3,150
2N 7E23DD	440646103140101	440646	1031401	--	05-20-77	--	1	185	--	--	3,415	3,230
2N 7E23D	440653103141201	440653	1031412	370	04-16-87	--	1	262	--	--	3,600	3,338
2N 7E13DDAA ¹	440746103124201	440746	1031242	1,450	11-29-95	--	(²)	² 178	173.7	184.3	3,239	3,061
2N 7E13BCDD	440816103134201	440816	1031342	440	08-18-82	--	1	161	--	--	3,315	3,154
1N 8E19AAAB ¹	440216103114101	440216	1031141	600	05-15-96	--	(²)	² -11	-11.9	-8.6	3,250	3,261
1N 8E10DADD	440330103080001	440326	1030753	1,930	08-30-82	03-18-85	5	367	361.2	372.6	3,135	2,768
1N 8E 9CABBD	440335103100601	440335	1031006	1,250	08-30-82	--	1	300	--	--	3,120	2,820
1N 8E 5DACB	440422103103301	440422	1031033	971	02- -57	--	1	140	--	--	3,165	3,025
1N 7E26AAA	440123103135801	440123	1031358	423	01-05-90	--	1	300	--	--	3,500	3,200
1N 7E14CBA	440242103145101	440242	1031451	590	09-18-91	--	1	265	--	--	3,850	3,585
1N 7E11ABAC	440336103142801	440336	1031428	251	04-23-82	--	1	193	--	--	3,510	3,317
1N 7E 2DABD	440415103141001	440415	1031410	414	04-23-82	--	1	-15	--	--	3,335	3,350
1S 7E36BBDC	435509103134301	435522	1031407	350	01-04-83	--	1	132	--	--	3,700	3,568
1S 8E 9BBC	435858103103801	435858	1031038	660	07-13-86	--	1	8	--	--	3,300	3,292
2S 8E19CCCC	435127103125201	435127	1031252	445	06-29-79	07-22-82	2	126	120.0	130.7	3,420	3,294
Custer County												
2S 7E36ABCD	435015103133601	435015	1031336	240	03-21-84	--	1	213	--	--	3,410	3,197
2S 7E36CBCB ² ¹	434946103140501	434949	1031417	80	08-01-81	09-01-98	(²)	² 18	15.4	18.4	3,369	3,351
2S 7E36DBD	434946103133001	434946	1031330	63	11-20-80	--	1	22	--	--	3,340	3,318
2S 8E32BCC	434959103115001	434959	1031150	1,100	06-28-94	--	1	120	--	--	3,300	3,180
2S 8E32CCC	434935103122001	434935	1031158	820	10-21-80	--	1	100	--	--	3,300	3,200
3S 7E 1AABC	434927103135401	434927	1031323	290	01-16-89	--	1	45	--	--	3,340	3,295

Table 1. Selected data for wells used in developing potentiometric map for the Inyan Kara aquifer—Continued
 [—, no data]

USGS local number	Station identification number	Latitude (Degrees, minutes, seconds)	Longitude	Well depth, in feet below land surface	Date of first water-level measurement	Date of last water-level measurement	Number of water-level measurements	Water levels, in feet below or above (-) land surface			Altitude, in feet above sea level	
								Mean	Highest	Lowest	Land surface	Mean hydraulic head
Custer County—Continued												
3S 7E 1AB	434923103133701	434923	1031337	65	10-25-90	--	1	30	--	--	3,475	3,445
3S 7E 1ADBC	434911103132401	434911	1031324	310	03-31-89	--	1	60	--	--	3,381	3,321
3S 7E 1CAAD	434830103134301	434858	1031347	60	03-18-78	--	1	18	--	--	3,385	3,367
3S 7E 1DBCD	434854103133801	434854	1031338	148	06-04-88	--	1	46	--	--	3,400	3,354
3S 7E 12DABA	434737103131901	434812	1031319	435	09-12-88	--	1	240	--	--	3,460	3,220
3S 7E 23DDAC	434611103142501	434611	1031425	355	01-01-77	03-25-98	26	339	309.0	355.0	3,590	3,251
3S 7E 26DCC	434513103143901	434513	1031439	--	08-06-79	--	1	167	--	--	3,495	3,328
3S 7E 35DBB	434443103145601	434443	1031456	345	08-06-79	03-25-98	27	193	187.2	201.6	3,480	3,287
3S 8E 19BBBB ¹	434652103130501	434652	1031307	760	07-05-83	09-01-98	(²)	2179	175.9	180.9	3,507	3,328
3S 8E 22ACDB	434633103084401	434633	1030844	1,760	11-10-59	04-28-86	9	281	250.0	297.0	3,394	3,113
3S 8E 22ACDB2	434633103084402	434633	1030844	1,760	12-13-59	04-22-87	9	342	277.4	457.0	3,393	3,051
4S 7E 28DBBC	434016103171001	434017	1031720	250	05-16-67	03-21-98	28	92	88.9	95.5	3,580	3,488
5S 7E 5BCCC	433840103191501	433840	1031915	162	08-26-78	08-18-81	2	93	92.5	105.0	3,740	3,648
5S 7E 18AAAB	433720103192301	433720	1031923	303	08-18-81	12-03-95	2	160	156.3	160.1	3,705	3,545
6S 1E 20	433052104013001	433052	1040130	--	10-27-81	--	1	34	--	--	3,740	3,706
6S 1E 20AA	433109104011501	433109	1040105	580	08-17-81	--	1	34	--	--	3,760	3,726
6S 1E 20AA2	433110104010401	433110	1040104	780	08-17-81	--	1	50	--	--	3,760	3,711
6S 1E 20AB2	433111104012202	433111	1040122	590	08-18-81	--	1	21	--	--	3,730	3,709
6S 1E 20AC	433038104015201	433057	1040122	810	08-15-81	--	1	21	--	--	3,765	3,744
6S 1E 20AD6	433100104010206	433100	1040102	580	08-14-81	--	1	26	--	--	3,815	3,789
6S 1E 29ABDC	433012104011801	433012	1040118	860	07-14-80	--	1	-8	--	--	3,697	3,705
6S 7E 19BCC	433055103202801	433055	1032028	140	08-21-95	--	1	68	--	--	3,410	3,342
6S 7E 29	432956103184001	432956	1031840	--	08- -35	--	1	25	--	--	3,276	3,251

Table 1. Selected data for wells used in developing potentiometric map for the Inyan Kara aquifer—Continued
[--, no data]

USGS local number	Station identification number	Latitude (Degrees, minutes, seconds)	Longitude	Well depth, in feet below land surface	Date of first water-level measurement	Date of last water-level measurement	Number of water-level measurements	Water levels, in feet below or above (-) land surface			Altitude, in feet above sea level	
								Mean	Highest	Lowest	Land surface	Mean hydraulic head
6S 7E29CCDC	432932103190801	432932	1031908	1,110	08-06-79	--	1	70	--	--	3,305	3,235
Custer County—Continued												
Fall River County												
7S 1E12DD	432706103561701	432706	1035617	520	06-12-88	--	1	-5	--	--	3,790	3,795
7S 1E14B2	432641103581301	432641	1035813	237	05-22-59	--	1	12	--	--	3,670	3,658
7S 6E 1CDA A	432754103205801	432802	1032110	360	06-10-91	--	1	80	--	--	3,350	3,270
7S 6E22BACD	432607103235701	432550	1032340	545	06-05-91	--	1	14	--	--	3,420	3,406
7S 6E27	432444103232601	432444	1032326	1,010	07-20-76	--	1	10	--	--	3,375	3,365
7S 6E28CCA	432426103250401	432426	1032504	220	05-02-87	--	1	104	--	--	3,320	3,216
7S 6E29BCD	432415103261301	432445	1032613	180	04-24-89	--	1	69	--	--	3,400	3,331
7S 6E29CC	432424103261701	432424	1032617	90	10-12-87	--	1	20	--	--	3,440	3,420
7S 6E30AA	432452103264201	432452	1032642	170	02-25-86	--	1	94	--	--	3,450	3,356
7S 6E31AAD	432411103262801	432411	1032628	220	08-18-82	--	1	154	--	--	3,510	3,356
7S 6E32BAC	432406103260301	432406	1032603	180	05-18-89	--	1	29	--	--	3,200	3,171
7S 6E34CADA	432400103233201	432345	1032330	740	10-14-80	--	1	200	--	--	3,180	2,980
8S 2E 8AADD	432210103534501	432224	1035350	245	09-20-66	05-23-89	23	-30	-44.5	-16.8	3,500	3,530
8S 2E20DACC	432015103535801	432015	1035358	410	09-20-56	03-06-97	39	34	22.7	45.1	3,532	3,498
8S 2E23BBA2	432048103510702	432048	1035107	630	06-29-78	--	1	137	--	--	3,625	3,488
8S 2E23CD	432004103505001	432004	1035050	--	10-24-51	--	1	85	--	--	3,565	3,480
8S 2E36ACAA	431850103491501	431850	1034915	320	03-02-57	--	1	59	--	--	3,480	3,421
8S 2E36ADBB	431855103491301	431855	1034913	320	03-02-57	04-20-93	35	67	56.5	81.7	3,475	3,408
8S 2E36ADBC	431849103491301	431849	1034913	340	05-11-81	04-20-93	11	21	14.7	28.7	3,428	3,407
8S 2E36DADB	433103103483401	431834	1034905	300	08-07-83	--	1	33	--	--	3,425	3,392
8S 3E 8DBBA	432207103470401	432207	1034704	500	03-02-57	--	1	0	--	--	3,552	3,552

Table 1. Selected data for wells used in developing potentiometric map for the Inyan Kara aquifer—Continued
[—, no data]

USGS local number	Station identification number	Latitude (Degrees, minutes, seconds)	Longitude	Well depth, in feet below land surface	Date of first water-level measurement	Date of last water-level measurement	Number of water-level measurements	Water levels, in feet below or above (-) land surface			Altitude, in feet above sea level	
								Mean	Highest	Lowest	Land surface	Mean hydraulic head
Fall River County—Continued												
8S 3E11BDB	432219103435101	432219	1034351	430	10-07-87	--	1	347	--	--	4,275	3,928
8S 3E13CB	431558103430001	432108	1034256	80	09-14-78	--	1	65	--	--	3,950	3,885
8S 3E20	432026103472001	432026	1034720	160	04-22-78	--	1	40	--	--	3,550	3,510
8S 3E20DBB	432020103470501	432020	1034705	400	06-15-82	--	1	30	--	--	3,480	3,450
8S 3E27BBB	431956103451901	431956	1034519	500	06-01-80	--	1	325	--	--	3,825	3,500
8S 3E33DBB	431839103465001	431839	1034555	200	11-05-80	--	1	50	--	--	3,425	3,375
8S 6E20DBA	432028103253501	432028	1032535	435	05-01-91	--	1	72	--	--	3,240	3,168
8S 6E21BDCD	432020103245309	432020	1032453	632	10-20-57	--	1	111	--	--	3,266	3,155
8S 6E28AB	431917103242601	431950	1032426	700	08- -74	--	1	200	--	--	3,270	3,070
9S 2E11CCDC	431632103511501	431632	1035115	835	08-30-79	--	1	160	--	--	3,545	3,385
9S 3E19BCDC	431511103485801	431511	1034858	965	01-01-77	--	1	300	--	--	3,685	3,385
9S 3E21D	431502103455101	431502	1034551	1,300	05-20-73	--	1	280	--	--	3,690	3,410
9S 4E11CCDD	431634103454901	431631	1033703	360	06-01-89	--	1	94	--	--	3,330	3,236
9S 6E 3ACAD ¹	431753103233601	431755	1032333	1,560	09-02-91	--	(²)	284	282.1	370.0	3,209	2,925
10S 3E15BA	431242103451001	431109	1034510	1,210	07-22-76	--	1	330	--	--	3,570	3,240

¹Continuous recording well.

²Numerous measurements available; mean water level computed from daily lowest water levels below land surface.

Table 2. Selected data for wells used in developing potentiometric map for the Minnekahta aquifer

[--, no data]

USGS local number	Station identification number	Latitude		Well depth, in feet below land surface	Date of first water-level measurement	Date of last water-level measurement	Number of water-level measurements	Water levels, in feet below or above (-) land surface			Altitude, in feet above sea level	
		(Degrees, minutes, seconds)	Longitude					Mean	Highest	Lowest	Land surface	Mean hydraulic head
Lawrence County												
7N 2E36CC	443350103491201	443110	1034936	580	08-10-74	--	1	150	--	--	3,720	3,570
7N 2E33CBCD	443119103531601	443119	1035316	383	11-28-80	--	1	-30	--	--	3,510	3,540
7N 2E32DD2	440502104010002	443112	1035332	278	04-03-73	--	1	11	--	--	3,560	3,549
7N 2E32DAAC	443128103533001	443128	1035330	340	09-29-86	--	1	10	--	--	3,540	3,530
7N 2E31AA	443151103543601	443151	1035436	273	06-15-77	--	1	10	--	--	3,585	3,575
7N 1E33CCDD3 ¹	443100104002003	443104	1040025	333	11-30-94	--	(²)	2,-87	-93.2	-74.3	3,666	3,753
7N 1E30BDA2	443310104024501	443230	1040242	402	06-01-52	03-21-98	33	-19	-25.6	21.6	3,510	3,529
6N 4E36BDAB	442628103345101	442628	1033451	380	12-22-87	--	1	-5	--	--	3,505	3,510
6N 4E36BBAA	442630103350401	442630	1033504	421	08-03-88	--	1	-12	--	--	3,480	3,492
6N 3E15DACD	442843103435501	442843	1034355	56	10-14-80	--	1	12	--	--	3,745	3,733
6N 2E24CBBA	442755103493501	442755	1034935	87	05-07-74	--	1	40	--	--	4,010	3,970
6N 2E 5CCCA	443025103540101	443015	1035430	200	07-01-81	--	1	135	--	--	3,665	3,530
6N 2E 5CCA	443038103541701	443038	1035417	160	06-02-81	--	1	100	--	--	3,645	3,545
6N 2E 5CC2	443038103541702	443038	1035417	110	07-14-81	--	1	55	--	--	3,645	3,590
6N 2E 5BBBB2 ¹	443100103543002	443105	1035438	290	07-03-86	--	(²)	2107	74.0	143.9	3,677	3,570
6N 2E 5BB	443057103535101	443057	1035428	185	05-10-77	--	1	35	--	--	3,660	3,625
6N 2E 5ACCD	443041103540001	443041	1035354	128	07-15-73	--	1	39	--	--	3,645	3,606
6N 2E 4DCBB	443023103524601	443023	1035246	230	12-30-91	--	1	40	--	--	3,590	3,550
6N 2E 4BDDA	443044103525701	443044	1035257	300	11-13-79	--	1	10	--	--	3,550	3,540
6N 2E 4BDD	443044103525801	443044	1035258	70	06-04-80	04-11-96	14	37	31.9	39.8	3,540	3,503
Meade County												
5N 5E17AABB	442406103315701	442406	1033157	80	04-13-82	--	1	46	--	--	3,600	3,554
5N 5E17	442341103321301	442341	1033213	--	--	--	1	34	--	--	3,600	3,566

Table 2. Selected data for wells used in developing potentiometric map for the Minnekahta aquifer—Continued

[--, no data]

USGS local number	Station identification number	Latitude (Degrees, minutes, seconds)	Longitude	Well depth, in feet below land surface	Date of first water-level measurement	Date of last water-level measurement	Number of water-level measurements	Water levels, in feet below or above (-) land surface			Altitude, in feet above sea level	
								Mean	Highest	Lowest	Land surface	Mean hydraulic head
Meade County—Continued												
5N 5E11BDCA	442440103285501	442440	1032855	1,800	06-01-52	03-02-83	2	241	222.0	258.9	3,335	3,095
5N 5E 9CDC2	442409103311802	442409	1033118	--	01-01-62	--	1	25	--	--	3,510	3,485
5N 5E 6DD	442511103330301	442511	1033303	475	07-20-60	--	1	175	--	--	3,540	3,365
5N 5E 6DBBD	442520103332501	442520	1033325	373	05-05-75	--	1	100	--	--	3,550	3,450
5N 5E 6BDDDB	442530103333501	442530	1033335	--	06-29-60	--	1	100	--	--	3,590	3,490
5N 5E 6AC	442531102332201	442531	1033322	244	04-15-73	--	1	150	--	--	3,570	3,420
4N 6E19AABA3 ¹	441759103261203	441759	1032612	180	09-19-96	--	(²)	217	-2.3	26.1	3,639	3,622
4N 5E 1AA	442033103271901	442033	1032719	400	--	--	1	390	--	--	3,719	3,329
3N 7E18BDAC	441322103192301	441322	1031923	1,160	04-24-79	--	1	135	--	--	3,630	3,495
3N 7E18BBAA	441335103193001	441335	1031930	1,100	08-26-82	--	1	-104	--	--	3,350	3,454
3N 6E10CCCC2	441341103233101	441341	1032331	85	07-26-86	--	1	50	--	--	3,545	3,495
3N 6E10CC	441345103232501	441345	1032325	--	04-20-78	--	1	6	--	--	3,540	3,534
3N 6E 9DABC	441358103234301	441358	1032343	140	10-10-73	05-13-82	2	18	17.0	19.0	3,550	3,552
3N 6E 4CAD	441448103241501	441448	1032415	241	05-21-88	--	1	20	--	--	3,540	3,520
2N 7E 8AA	440910103173901	440905	1031730	70	08-30-92	--	1	30	--	--	3,438	3,408
2N 7E 6DAA	440939103184701	440939	1031847	575	12-01-59	--	1	126	--	--	3,550	3,424
2N 7E 6A	440956103190001	440956	1031900	358	11-10-73	--	1	100	--	--	3,585	3,485
2N 7E 5AD	440950103173901	440950	1031739	--	05- -59	--	1	19	--	--	3,452	3,433
Pennington County												
2N 7E27DBDD	440605103152201	440605	1031522	495	06-17-82	--	1	27	--	--	3,360	3,333
2N 7E27BCAA	440626103154701	440626	1031602	380	09-10-79	12-10-81	2	24	23.5	23.5	3,390	3,367
2N 7E21DAAA	440706103162001	440706	1031620	452	12-03-79	--	1	155	--	--	3,500	3,345
2N 7E20DB	440701103175801	440701	1031758	120	03-14-94	--	1	-5	--	--	3,580	3,585

Table 2. Selected data for wells used in developing potentiometric map for the Minnekahta aquifer—Continued

[--, no data]

USGS local number	Station identification number	Latitude (Degrees, minutes, seconds)	Longitude	Well depth, in feet below land surface	Date of first water-level measurement	Date of last water-level measurement	Number of water-level measurements	Water levels, in feet below or above (-) land surface			Altitude, in feet above sea level	
								Mean	Highest	Lowest	Land surface	Mean hydraulic head
Pennington County—Continued												
1S 7E10DBD	435829103155401	435829	1031554	492	07-22-94	--	1	60	--	--	3,550	3,490
2S 7E22DB	435130103155701	435130	1031557	422	08- -92	--	1	98	--	--	3,600	3,502
Custer County												
2S 7E34BBA	435017103163001	435017	1031630	101	10-20-81	--	1	25	--	--	3,490	3,465
3S 7E16ABAC	434733103170201	434739	1031703	290	--	--	1	20	--	--	3,580	3,560
6S 6E 2BBCD	433341103224501	433341	1032245	352	08-18-60	--	1	119	--	--	3,647	3,528
6S 6E21BBBBB ¹	433115103251403	433115	1032514	281	04-28-97	--	(²)	² 180	177.0	183.1	3,640	3,460
Fall River County												
7S 5E 2ABA	432836103291001	432836	1032910	120	12-08-81	--	1	83	--	--	3,865	3,782
7S 5E11ACB	432726103292501	432726	1032925	60	07-06-88	--	1	41	--	--	3,600	3,559
7S 5E12CAA	432704103283801	432704	1032838	266	05-03-83	--	1	134	--	--	3,600	3,466
7S 5E13BBC	432642103283601	432643	1032836	125	07-01-89	--	1	24	--	--	3,500	3,476
7S 5E13CBDA	432619103283501	432619	1032835	264	08-21-54	--	1	-9	--	--	3,566	3,575
7S 5E14DCDD	432602103291001	432602	1032910	200	07-12-89	--	1	85	--	--	3,560	3,475
7S 5E23ABC	432548103285401	432548	1032923	140	03-08-83	--	1	66	--	--	3,540	3,474
7S 5E24ADD	432537103274601	432537	1032746	520	01-29-90	--	1	40	--	--	3,610	3,570
7S 5E26DADD	432447103285801	432447	1032858	280	09-27-89	--	1	94	--	--	3,660	3,566
7S 5E27DBBD	432438103302901	432438	1033029	360	07-09-89	--	1	280	--	--	3,840	3,560

¹Continuous recording well.

²Numerous measurements available; mean water level computed from daily lowest water levels below land surface.

Table 3. Selected data for wells used in developing potentiometric map for the Minnelusa aquifer

[--, no data.]

USGS local number	Station identification number	Latitude (Degrees, minutes, seconds)	Longitude	Well depth, in feet below land surface	Date of first water-level measurement	Date of last water-level measurement	Number of water-level measurements	Water levels, in feet below or above (-) land surface			Altitude, in feet above sea level	
								Mean	Highest	Lowest	Land surface	Mean hydraulic head
Butte County												
8N 3E31ACA2	443650103474401	443650	1034744	1,850	09-13-60	--	1	-181	--	--	3,190	3,371
8N 3E31ACA	443655103482001	443650	1034744	1,850	09-13-60	10-15-69	6	-129	-202.7	-68.4	3,190	3,319
8N 3E 2BDBC	444108103432201	444108	1034322	2,230	08-23-61	09-12-72	14	-96	-199.8	-26.5	2,990	3,086
8N 1E33ABCA	443650104000801	443659	1035958	1,430	01-24-53	03-29-83	2	0	-11.5	10.8	3,490	3,490
8N 1E19ADAC	443836104020801	443837	1040200	1,380	05-12-81	--	1	-109	--	--	3,340	3,449
7N 2E 3AC	443558103512501	443558	1035125	1,470	10-10-85	--	1	-16	--	--	3,460	3,476
7N 2E 2BBAD	443612103504701	443612	1035047	1,470	05-22-87	--	1	-102	--	--	3,400	3,502
7N 1E12AAB	443530103565501	443523	1035603	1,120	08-28-62	05-23-78	12	-137	-155.6	-116.4	3,340	3,477
7N 1E11ACAC	443515103572501	443508	1035730	1,000	09-01-66	05-23-78	12	-111	-134.8	-87.9	3,400	3,511
Lawrence County												
7N 3E 7AABA	443515103473001	443525	1034732	1,650	07-01-75	06-15-89	24	-164	-195.9	-112.4	3,360	3,524
7N 2E32BDD	443115103540001	443137	1035406	545	04-15-82	--	1	65	--	--	3,590	3,525
7N 2E32BB	443427103540201	443153	1035425	540	04-19-82	--	1	11	--	--	3,560	3,549
7N 2E32BAC	443117103541301	443147	1035413	500	11-11-80	--	1	11	--	--	3,570	3,559
7N 2E32ACBD	443141103535301	443141	1035353	535	02-06-86	--	1	30	--	--	3,592	3,562
7N 2E26BCDA	443230103504101	443230	1035041	825	06-05-63	06-01-89	26	-126	-143.2	-112.7	3,400	3,526
7N 2E21AABC	443335103522801	443335	1035228	1,260	06-16-80	--	1	-243	--	--	3,418	3,661
7N 2E19CAAA	443420103551001	443315	1035514	700	06-05-63	08-28-67	6	-82	-91.5	-69.2	3,405	3,487
7N 2E10BADC ¹	443515103513901	443513	1035143	1,310	06-30-62	--	(²)	2-277	-302.8	-188.0	3,218	3,495
7N 1E36DDBB	443116103560801	443116	1035608	500	12-06-95	--	1	190	--	--	3,820	3,630
7N 1E36CDDD	443032103562501	443107	1035625	480	08-02-77	--	1	260	--	--	3,930	3,670
7N 1E36CDDC	443105103563401	443105	1035634	480	12-07-95	--	1	233	--	--	3,930	3,697
7N 1E36BDAD	443143103563001	443139	1035629	300	11-21-95	--	1	163	--	--	3,675	3,512

Table 3. Selected data for wells used in developing potentiometric map for the Minnelusa aquifer—Continued

[--, no data.]

USGS local number	Station identification number	Latitude (Degrees, minutes, seconds)	Longitude	Well depth, in feet below land surface	Date of first water-level measurement	Date of last water-level measurement	Number of water-level measurements	Water levels, in feet above (-) land surface			Altitude, in feet above sea level	
								Mean	Highest	Lowest	Land surface	Mean hydraulic head
Lawrence County—Continued												
7N 1E36BDAA	443141103562301	443142	1035628	240	04-21-82	--	1	151	--	--	3,655	3,504
7N 1E36ADDD	443132103555501	443132	1035555	310	11-08-95	--	1	30	--	--	3,630	3,600
7N 1E33CCDD2 ¹	443100104002002	443104	1040025	458	08-05-87	--	(²)	216	9.9	25.4	3,669	3,652
7N 1E30DDDC	443150104020001	443156	1040205	985	03-29-83	--	1	-69	--	--	3,510	3,579
7N 1E30AAAD	443240104024001	443240	1040155	615	08-18-76	05-03-82	5	-45	-46.2	-43.7	3,480	3,525
7N 1E28CADC	443212104001601	443212	1040016	1,530	03-11-80	--	1	-143	--	--	3,535	3,678
7N 1E26ACD	443215103573001	443215	1035730	270	08-23-60	03-21-98	40	28	19.5	34.5	3,524	3,496
7N 1E25DBDA	443215103561501	443215	1035610	500	03-17-95	--	1	21	--	--	3,510	3,490
7N 1E25CCBC	443202103581101	443205	1035700	240	03-22-83	--	1	97	--	--	3,620	3,523
7N 1E21BBC	443320104003501	443334	1040035	220	08-18-60	04-19-83	23	-62	-74.2	-52.2	3,379	3,441
7N 1E20AAD	443320104004501	443328	1040045	281	03-21-66	07-11-89	22	-60	-69.1	-34.6	3,400	3,460
7N 1E14CCDD2	443355103574502	443343	1035802	620	06-30-75	05-05-81	8	-21	-33.7	-13.3	3,474	3,495
7N 1E14CCDD	443355103574501	443343	1035802	--	05-02-62	08-23-65	6	-21	-27.4	-15.6	3,480	3,501
6N 4E36CBDD	442611103350301	442606	1033505	300	08-11-87	06-15-92	2	116	100.0	131.1	3,590	3,475
6N 4E36CBAA	442610103350001	442616	1033505	460	05-17-74	06-11-92	2	118	80.0	155.0	3,595	3,478
6N 4E36CACD	442610103345501	442605	1033453	400	02-16-73	--	1	100	--	--	3,604	3,504
6N 4E35BDCA	442623103360401	442623	1033604	300	03-20-88	--	1	223	--	--	3,720	3,497
6N 4E35BADA	442652103354201	442635	1033559	495	08-21-85	06-11-92	2	95	60.0	130.4	3,583	3,488
6N 4E35ADBC	442624103353301	442624	1033533	315	06-11-92	--	1	107	--	--	3,560	3,453
6N 4E33B	442604103382101	442604	1033821	710	05-07-91	--	1	435	--	--	4,000	3,565
6N 4E33ABDC	442708103382001	442630	1033809	460	07-10-91	06-17-92	2	140	129.3	150.0	3,750	3,611
6N 4E31DACD	442606103402301	442606	1034023	730	11-16-90	--	1	530	--	--	3,970	3,440
6N 4E28ABD	442728103381201	442725	1033806	552	05-12-74	--	1	135	--	--	3,680	3,545

Table 3. Selected data for wells used in developing potentiometric map for the Minnelusa aquifer—Continued
 [—, no data.]

USGS local number	Station identification number	Latitude (Degrees, minutes, seconds)	Longitude	Well depth, in feet below land surface	Date of first water-level measurement	Date of last water-level measurement	Number of water-level measurements	Water levels, in feet below or above (-) land surface			Altitude, in feet above sea level	
								Mean	Highest	Lowest	Land surface	Mean hydraulic head
Lawrence County—Continued												
6N 4E282	442709103381902	442709	1033819	760	02-01-92	--	1	200	--	--	3,800	3,600
6N 4E25BDDDB	442711103345001	442711	1033450	1,200	01-01-74	03-01-92	2	37	13.1	60.0	3,465	3,429
6N 4E21DCBC	442746103381301	442743	1033818	480	08-15-77	06-15-92	2	155	140.0	170.0	3,645	3,490
6N 4E21DBCD	442749103381401	442749	1033814	630	05-25-78	10-13-92	12	140	108.0	158.4	3,620	3,480
6N 4E16DA	442845103375301	442845	1033753	810	03-08-81	--	1	100	--	--	3,620	3,520
6N 4E 8DADD	442950103374701	442934	1033858	242	02-04-83	06-15-92	2	73	70.0	76.4	3,680	3,607
6N 3E36DBBB	442622103420601	442622	1034206	165	03-26-81	02-04-83	2	47	44.0	50.0	4,020	3,973
6N 3E26DBBB	442822103433501	442723	1034325	438	02-24-83	--	1	201	--	--	3,880	3,679
6N 3E20BBAD	442825103470401	442825	1034704	460	08-02-78	--	1	390	--	--	3,940	3,550
6N 3E17ABAA	442913103465401	442917	1034630	700	03-22-76	--	1	279	--	--	3,830	3,551
6N 3E15DDDA ¹	442833103434601	442835	1034346	320	08-03-88	--	(²)	241	226.9	249.7	3,768	3,527
6N 3E15DAD	442844103434901	442844	1034349	300	09-03-64	--	1	220	--	--	3,740	3,520
6N 3E15BADD	442907103442301	442907	1034423	598	07-30-71	--	1	330	--	--	3,840	3,510
6N 3E14CDA	442834103431501	442834	1034315	100	01-14-81	--	1	35	--	--	3,750	3,715
6N 3E11BAAC	443006103431701	443006	1034317	775	05-31-81	--	1	150	--	--	3,665	3,515
6N 2E36BACA	442636103491801	442636	1034918	600	10-10-80	--	1	280	--	--	4,520	4,240
6N 2E36A	442630103485001	442630	1034850	200	10-15-90	--	1	90	--	--	4,240	4,150
6N 2E36	442621103490801	442621	1034908	200	12-11-86	--	1	160	--	--	4,450	4,290
6N 2E25BBDD	442729103493601	442729	1034936	260	02-14-74	12-02-82	2	164	160.0	167.6	4,100	3,936
6N 2E23DD	442741103495601	442741	1034956	540	08-20-77	--	1	440	--	--	4,042	3,602
6N 2E23BBBA	442820103503501	442820	1035035	415	09-25-56	03-21-98	43	69	36.1	92.7	3,740	3,671
6N 2E22BBDC	442825103520101	442825	1035201	445	06-15-77	--	1	300	--	--	4,000	3,700
6N 2E22ABDD	442821103512501	442821	1035125	--	08-26-78	--	1	340	--	--	3,960	3,620

Table 3. Selected data for wells used in developing potentiometric map for the Minnelusa aquifer—Continued

[--, no data.]

USGS local number	Station identification number	Latitude (Degrees, minutes, seconds)	Longitude	Well depth, in feet below land surface	Date of first water-level measurement	Date of last water-level measurement	Number of water-level measurements	Water levels, in feet above (-) land surface			Altitude, in feet above sea level	
								Mean	Highest	Lowest	Land surface	Mean hydraulic head
Lawrence County—Continued												
6N 2E21DCBC	442748103524501	442748	1035245	816	11-30-94	--	1	570	--	--	4,230	3,660
6N 2E20BACA	442820103541001	442820	1035410	200	09-14-81	01-14-82	2	83	81.0	84.0	4,280	4,198
6N 2E19DABA2	442802103544602	442760	1035449	320	07-16-97	--	1	273	267.8	292.0	4,591	4,318
6N 2E15CDDA	442831103513501	442831	1035135	520	12-01-82	--	1	247	--	--	3,940	3,693
6N 2E14BCCCC ¹	442854103505601	442854	1035054	189	08-03-88	--	(²)	280	57.0	89.2	3,734	3,654
6N 2E 9D	442930103522001	442930	1035220	300	09-01-56	--	1	20	--	--	3,660	3,640
6N 2E 9CD	444504103525301	442925	1035253	383	11-01-73	--	1	100	--	--	3,820	3,720
6N 2E 8CCB	442930103543201	442930	1035432	290	09-01-80	--	1	120	--	--	3,960	3,840
6N 2E 8AA	443010103533001	443010	1035330	268	12-18-89	--	1	14	--	--	3,650	3,636
6N 2E 7DCBA	443026103550401	442932	1035504	220	10-01-88	--	1	158	--	--	4,080	3,922
6N 2E 7ABB	443041103551301	443010	1035508	230	12-13-85	--	1	70	--	--	3,900	3,830
6N 2E 7AAC	443035103544501	443005	1035445	360	09-10-86	--	1	57	--	--	3,760	3,703
6N 2E 6DACC	443025103544501	443028	1035453	267	06-30-88	--	1	119	--	--	3,710	3,591
6N 2E 5DC2	443020103525001	443020	1035350	285	10-15-88	--	1	65	--	--	3,625	3,560
6N 2E 5CBDB	443035103543001	443035	1035430	290	11-01-90	--	1	90	--	--	3,655	3,565
6N 2E 5BCAA	443050103541701	443050	1035417	280	12-01-79	--	1	70	--	--	3,620	3,550
6N 2E 5BBBB ¹	443100103543001	443104	1035438	430	06-30-86	--	(²)	2131	121.2	147.0	3,678	3,547
6N 2E 4DBCC	443028103522801	443033	1035245	420	02-13-79	--	1	10	--	--	3,562	3,552
6N 2E 4DBC2	443026103524002	443018	1035237	440	05-20-77	--	1	12	--	--	3,580	3,568
6N 2E 4BBAA	443101103530601	443101	1035306	300	03-30-83	--	1	-36	--	--	3,548	3,584
6N 2E 2C	443029103503601	443029	1035036	230	09-03-82	--	1	70	--	--	3,670	3,600
6N 1E18BBAA	442917104025801	442917	1040258	300	09-12-87	--	1	189	--	--	4,300	4,111
6N 1E16ACBB	442903103595601	442907	1035959	243	-	-83	1	140	--	--	4,180	4,040

Table 3. Selected data for wells used in developing potentiometric map for the Minnelusa aquifer—Continued
 [—, no data.]

USGS local number	Station identification number	Latitude (Degrees, minutes, seconds)	Longitude	Well depth, in feet below land surface	Date of first water-level measurement	Date of last water-level measurement	Number of water-level measurements	Water levels, in feet below or above (-) land surface			Altitude, in feet above sea level	
								Mean	Highest	Lowest	Land surface	Mean hydraulic head
Lawrence County—Continued												
6N 1E 9ACBC	442953103595601	442953	1035956	189	10-08-60	--	1	65	--	--	3,840	3,775
6N 1E 8BCBC	442952104015101	442952	1040151	320	10-18-69	--	1	146	--	--	3,900	3,754
6N 1E 6BDAB	443049104024501	443049	1040245	430	02- -77	--	1	160	--	--	3,785	3,625
6N 1E 2CABB	443036103575401	443036	1035754	160	01-20-82	--	1	30	--	--	3,930	3,900
5N 4E24BBBA	442309103422501	442309	1033512	65	01-01-56	--	1	40	--	--	3,885	3,845
5N 4E23AABC	442310103335501	442310	1033355	262	07-14-74	--	1	183	--	--	3,910	3,727
5N 4E15DDD	442322103364001	442322	1033640	600	01-01-64	--	1	546	--	--	4,260	3,714
5N 4E15DBAD	442322103364002	442337	1033652	220	07-20-77	--	1	35	--	--	4,100	4,065
5N 4E15ADDB2	442347103364002	442347	1033640	560	05-28-92	--	1	457	--	--	4,175	3,718
5N 4E15ADDA	442347103364001	442347	1033640	527	03-29-73	--	1	420	--	--	4,075	3,655
5N 4E14DD	442321103352801	442321	1033528	160	10-15-90	--	1	48	--	--	3,990	3,942
5N 4E14BDDC	442348103355801	442348	1033558	--	- -76	--	1	190	--	--	3,980	3,790
5N 4E14BDCA	442344103360601	442344	1033606	630	08-12-82	--	1	365	--	--	3,990	3,625
5N 4E14BA	442542103344701	442400	1033605	380	04-07-78	--	1	120	--	--	3,980	3,860
5N 4E14ADD ¹	442344103253401	442344	1033526	507	05-15-63	--	(²)	2-224	198.9	237.2	3,882	3,658
5N 4E14ADA	442340103345001	442348	1033524	400	06-30-77	--	1	200	--	--	3,860	3,660
5N 4E13CCAC	442337103350401	442322	1033507	315	08-08-77	--	1	132	--	--	3,870	3,738
5N 4E11CCAD	442416103362301	442412	1033618	75	08-25-83	--	1	40	--	--	4,010	3,970
5N 4E 1ABBD3	442546103343301	442546	1033433	400	09-27-82	--	1	189	--	--	3,625	3,436
5N 4E 1ABBD ¹	442545103343701	442544	1033438	300	06-25-86	--	(²)	2-201	178.8	220.1	3,629	3,428
5N 4E 1ABBC	442546103344101	442546	1033441	310	09-08-81	--	1	172	--	--	3,618	3,446
5N 3E11DBA	442436103430001	442436	1034300	900	07-29-86	--	1	560	--	--	4,650	4,090

Table 3. Selected data for wells used in developing potentiometric map for the Minnelusa aquifer—Continued

[--, no data.]

USGS local number	Station identification number	Latitude (Degrees, minutes, seconds)	Longitude	Well depth, in feet below land surface	Date of first water-level measurement	Date of last water-level measurement	Number of water-level measurements	Water levels, in feet above (-) land surface			Altitude, in feet above sea level	
								Mean	Highest	Lowest	Land surface	Mean hydraulic head
6N 5E14ABD	442901103281601	442901	1032816	1,100	08-17-82	--	1	-103	--	--	3,100	3,203
5N 5E36ADD	442108103270301	442108	1032703	1,120	06-09-76	--	1	510	--	--	3,690	3,180
5N 5E26ABD	442213103283101	442213	1032831	1,380	08-29-60	--	1	496	--	--	3,620	3,124
5N 5E26	442158103284701	442158	1032847	1,140	06-15-91	--	1	570	--	--	3,800	3,230
5N 5E25CADB	442146103272001	442152	1032742	1,000	10-05-73	08-19-83	2	573	566.0	580.0	3,710	3,137
5N 5E22CBAD2	442242103302301	442242	1033023	--	04-13-82	--	1	30	--	--	3,730	3,700
5N 5E16DABA	442441103304201	442340	1033042	--	12-04-64	--	1	380	--	--	3,570	3,190
5N 5E16CADC	442335103304201	442329	1033113	--	06-29-72	--	1	475	--	--	3,630	3,155
5N 5E 9DCBBA	442416103310301	442419	1033105	744	- -58	03-10-82	2	413	396.0	428.7	3,500	3,088
5N 5E 9BCAA	442443103312701	442443	1033127	902	08-01-60	--	1	360	--	--	3,530	3,170
5N 5E 9ABCC	442453103310301	442448	1033104	1,020	06-03-55	--	1	336	--	--	3,460	3,124
5N 5E 8BBBB	442451103315001	442451	1033150	--	04-13-82	--	1	153	--	--	3,560	3,407
5N 5E 8ACDD	442435103320301	442435	1033203	515	07-09-81	--	1	225	--	--	3,565	3,340
5N 5E 8ACC	442435103321601	442435	1033216	380	06-08-94	--	1	235	--	--	3,580	3,345
5N 5E 7CCBAB	442422103335302	442422	1033400	315	02-02-73	04-06-82	2	154	108.3	200.0	3,670	3,516
5N 5E 7ACB2	442443103332802	442443	1033328	--	--	--	1	142	--	--	3,605	3,463
5N 5E 7ACB	442443103332801	442443	1033328	--	- -72	--	1	94	--	--	3,600	3,506
5N 5E 7ABD	442449103331901	442449	1033319	340	04-08-93	--	1	195	--	--	3,640	3,445
5N 5E 7ABC 3	442450103332701	442450	1033327	340	05-28-91	--	1	186	--	--	3,600	3,414
5N 5E 7ABC	442449103332601	442449	1033326	--	- -62	--	1	146	--	--	3,605	3,459
5N 5E 7ABBD	442455103332801	442455	1033328	--	04-21-82	--	1	180	--	--	3,590	3,410
5N 5E 7ABBC	442457103333001	442457	1033330	--	04-15-82	--	1	189	--	--	3,595	3,406
5N 5E 7ABB4	442455103332804	442455	1033328	340	05-28-91	--	1	186	--	--	3,580	3,394

Table 3. Selected data for wells used in developing potentiometric map for the Minnelusa aquifer—Continued
 [—, no data.]

USGS local number	Station identification number	Latitude (Degrees, minutes, seconds)	Longitude	Well depth, in feet below land surface	Date of first water-level measurement	Date of last water-level measurement	Number of water-level measurements	Water levels, in feet below or above (-) land surface			Altitude, in feet above sea level	
								Mean	Highest	Lowest	Land surface	Mean hydraulic head
Meade County—Continued												
5N 5E 7AAB	442456103330801	442456	1033308	--	- -71	--	1	188	--	--	3,580	3,392
5N 5E 7A2	442446103330701	442446	1033307	--	04-11-68	--	1	173	--	--	3,700	3,527
5N 5E 7	442433103332601	442433	1033326	--	- -73	--	1	146	--	--	3,605	3,459
5N 5E 6ACAD	4425401033325801	442532	1033315	--	- -74	- -82	2	170	151.0	188.5	3,590	3,421
5N 5E 6ACAC	442535103330701	442535	1033307	--	09-01-72	04-15-82	2	178	152.0	203.0	3,590	3,413
5N 5E 6AC2	442526103331301	442526	1033313	460	09-12-87	--	1	140	--	--	3,550	3,410
5N 5E 5DDC	442502103315701	442502	1033157	--	01-01-65	--	1	180	--	--	3,480	3,300
5N 5E 5DCDC	442502103320501	442502	1033205	--	04-06-82	--	1	90	--	--	3,490	3,400
5N 5E 5DCCB	442502103321501	442502	1033215	--	01-09-65	04-06-82	2	116	98.0	132.8	3,505	3,390
5N 5E 5DCAC	442506103321201	442506	1033212	604	06-09-77	--	1	94	--	--	3,498	3,404
5N 5E 5CCCA	442502103325201	442502	1033252	--	--	--	1	150	--	--	3,525	3,375
5N 5E 5BCDB	442528103324301	442528	1033243	735	04-27-82	--	1	134	--	--	3,525	3,391
5N 5E 5BCB	442536103323501	442536	1033252	--	06-08-77	--	1	111	--	--	3,555	3,444
5N 5E 5AC	442532103321001	442532	1033210	545	06-27-77	--	1	100	--	--	3,500	3,400
5N 5E 3BCD	442529103301401	442529	1033014	1,740	05-15-92	--	1	260	--	--	3,460	3,200
4N 6E32CCB	441538103255601	441538	1032556	300	08-25-92	--	1	56	--	--	3,800	3,744
4N 6E32CA	441544103253001	441544	1032530	260	04-08-91	--	1	42	--	--	3,640	3,598
4N 6E32BBDD	441556103253201	441556	1032532	280	08-08-79	07-07-82	2	141	131.5	150.0	3,680	3,539
4N 6E32BAD	441606103252501	441606	1032525	225	05-28-70	--	1	55	--	--	3,620	3,565
4N 6E32BAA	441612103252801	441612	1032528	265	05-17-82	--	1	45	--	--	3,590	3,545
4N 6E32 (2)	441549103252002	441549	1032520	220	02-05-72	--	1	124	--	--	3,618	3,494
4N 6E30BDA	441648103264001	441648	1032640	540	06-08-82	--	1	240	--	--	4,000	3,760
4N 6E30ADCC	441649103262401	441649	1032612	540	04-05-79	--	1	320	--	--	3,930	3,610

Table 3. Selected data for wells used in developing potentiometric map for the Minnelusa aquifer—Continued

[--, no data.]

USGS local number	Station identification number	Latitude (Degrees, minutes, seconds)	Longitude	Well depth, in feet below land surface	Date of first water-level measurement	Date of last water-level measurement	Number of water-level measurements	Water levels, in feet above (-) land surface			Altitude, in feet above sea level	
								Mean	Highest	Lowest	Land surface	Mean hydraulic head
Meade County—Continued												
4N 6E30A	441656103261601	441656	1032616	340	10-07-87	--	1	250	--	--	3,860	3,610
4N 6E29DAB	441640103245901	441640	1032459	220	10-16-90	--	1	30	--	--	3,620	3,590
4N 6E29CCC	441620103255301	441620	1032553	240	07-18-93	--	1	111	--	--	3,630	3,519
4N 6E29BCAD	441641103252001	441651	1032540	176	10-02-72	--	1	56	--	--	3,700	3,644
4N 6E29ABC	441701103251101	441701	1032511	180	02- -67	--	1	27	--	--	3,542	3,515
4N 6E19AABA ¹	441759103261201	441759	1032612	302	07-17-84	--	(²)	230	-9.8	62.9	3,630	3,600
4N 6E17CCDA	441826103263301	441806	1032541	590	04-14-82	--	1	1	--	--	3,578	3,577
4N 6E16DCB	441812103230501	441812	1032405	1,460	04-14-82	--	1	-7	--	--	3,460	3,467
4N 6E 7DDBB	441903103261601	441903	1032616	700	08-04-82	--	1	229	--	--	3,710	3,481
3N 7E31CBBC	441031103195201	441031	1031952	462	06-28-82	--	1	230	--	--	3,690	3,460
3N 7E31CAA	441033103193001	441033	1031930	520	10-11-75	--	1	150	--	--	3,630	3,480
3N 7E30CDD	441105103192001	441105	1031920	1,120	06-30-88	--	1	200	--	--	3,650	3,450
3N 7E30BCAD	441147103270001	441138	1031940	1,600	10-27-76	07-19-82	2	449	440.0	457.0	3,870	3,421
3N 7E20BB2	441241103183401	441241	1031834	340	09-10-87	--	1	180	--	--	3,460	3,280
3N 6E36DBD	441024103201301	441024	1032013	440	06-17-72	10-06-81	2	264	220.0	308.0	3,720	3,456
3N 6E36DBCC	441023103203101	441023	1032031	540	08-16-77	--	1	350	--	--	3,810	3,460
3N 6E36DBBD	441023103203001	441023	1032030	312	12-23-75	--	1	300	--	--	3,740	3,440
3N 6E36CADD	441023103204001	441023	1032040	565	10-08-81	--	1	294	--	--	3,780	3,486
3N 6E36BDDA	441040103203201	441040	1032032	--	05-26-78	--	1	280	--	--	3,740	3,460
3N 6E36BDD	441037103203501	441037	1032035	360	01-01-59	--	1	310	--	--	3,760	3,450
3N 6E36BDA	441047103203301	441049	1032031	400	10-15-77	--	1	280	--	--	3,720	3,440
3N 6E36BADD	441049103203701	441049	1032037	400	05-18-77	10-26-81	2	288	280.0	294.6	3,725	3,438
3N 6E36BADB	441038103203001	441053	1032038	420	05-26-88	--	1	330	--	--	3,735	3,405

Table 3. Selected data for wells used in developing potentiometric map for the Minnelusa aquifer—Continued
 [—, no data.]

USGS local number	Station identification number	Latitude (Degrees, minutes, seconds)	Longitude	Well depth, in feet below land surface	Date of first water-level measurement	Date of last water-level measurement	Number of water-level measurements	Water levels, in feet below or above (-) land surface			Altitude, in feet above sea level	
								Mean	Highest	Lowest	Land surface	Mean hydraulic head
Meade County—Continued												
3N 6E36B	441038103203002	441038	1032030	400	06-06-88	--	1	330	--	--	3,820	3,490
3N 6E26ADB	441134103211601	441134	1032116	300	10-05-82	--	1	170	--	--	3,645	3,475
3N 6E26ACAD	441136103221301	441136	1032128	360	10-30-78	10-05-82	2	226	202.4	250.0	3,680	3,454
3N 6E26AABB	441151103213002	441151	1032120	395	10-08-81	--	1	129	--	--	3,600	3,471
3N 6E25CCDD	441118103210001	441104	1032048	370	03-25-85	--	1	300	--	--	3,720	3,420
3N 6E25CC	441108103205701	441108	1032057	--	07-31-79	--	1	270	--	--	3,670	3,400
3N 6E25CBCB	441119103210301	441119	1032103	303	11-01-80	10-06-81	2	215	212.0	217.9	3,680	3,465
3N 6E25BCDC	441130103205601	441130	1032056	400	11-22-74	--	1	155	--	--	3,630	3,475
3N 6E25ADDA	441131103200101	441131	1032001	783	11-03-76	07-21-82	2	191	180.0	200.7	3,615	3,425
3N 6E24DBDA	441212103201501	441212	1032015	1,540	07-19-82	--	1	457	--	--	3,840	3,383
3N 6E24CADD	441318103221301	441207	1032033	824	03-14-77	--	1	130	--	--	3,600	3,470
3N 6E24CABB	441219103204801	441219	1032048	1,010	09-06-79	--	1	145	--	--	3,570	3,425
3N 6E23DDDC	441157103213701	441157	1032112	440	08-11-82	--	1	118	--	--	3,580	3,462
3N 6E23DDAC	441202103211301	441207	1032115	860	07-31-80	10-06-81	2	63	56.1	70.0	3,558	3,495
3N 6E23DCDC	441220103214001	441156	1032134	360	12-20-82	--	1	139	--	--	3,608	3,469
3N 6E23DCCB	441200103213001	441200	1032130	305	05-18-72	--	1	120	--	--	3,605	3,485
3N 6E23DCB 4	442137103213801	441204	1032138	300	12-28-88	--	1	150	--	--	3,600	3,450
3N 6E23DC	441202103213301	441202	1032133	360	05-15-87	--	1	95	--	--	3,580	3,485
3N 6E23DBCA	441211103213701	441211	1032137	375	01-03-85	--	1	80	--	--	3,560	3,480
3N 6E23CADA	441210103215101	441213	1032143	328	04-26-83	--	1	65	--	--	3,570	3,505
3N 6E23CABD	441216103215801	441216	1032158	460	06-29-78	--	1	200	--	--	3,700	3,500
3N 6E23CAB	441242103215701	441217	1032157	288	07-22-83	--	1	210	--	--	3,730	3,520
3N 6E16AD2	441322103234202	441322	1032342	260	07-07-86	--	1	100	--	--	3,660	3,560

Table 3. Selected data for wells used in developing potentiometric map for the Minnelusa aquifer—Continued

[--, no data.]

USGS local number	Station identification number	Latitude (Degrees, minutes, seconds)	Longitude	Well depth, in feet below land surface	Date of first water-level measurement	Date of last water-level measurement	Number of water-level measurements	Water levels, in feet above (-) land surface			Altitude, in feet above sea level	
								Mean	Highest	Lowest	Land surface	Mean hydraulic head
3N 6E16AD	441322103234201	441322	1032342	340	09-22-86	--	1	65	--	--	3,660	3,595
3N 6E16AABA	441338103233201	441338	1032332	190	10-09-73	--	1	45	--	--	3,590	3,545
3N 6E16AAAB	441339103232701	441339	1032327	237	- 86	--	1	40	--	--	3,570	3,530
3N 6E15DABBB	441315103224001	441315	1032236	365	07-23-87	--	1	30	--	--	3,530	3,500
3N 6E15DAA	441257103222501	441257	1032225	263	06-12-87	--	1	120	--	--	3,590	3,470
3N 6E15BA3	441331103230701	441331	1032307	160	04-10-85	--	1	55	--	--	3,530	3,475
3N 6E15ABBB ¹	441337103225001	441337	1032250	440	07-07-84	--	(²)	2-4	-28.1	15.0	3,480	3,484
3N 6E15AB	441335103223201	441335	1032232	100	03-19-85	--	1	55	--	--	3,490	3,435
3N 6E15AAB	441335103223202	441335	1032232	110	03-25-85	--	1	55	--	--	3,490	3,435
3N 6E15AAAC	441333103222801	441333	1032228	640	07-19-82	--	1	-4	--	--	3,470	3,474
3N 6E10CCC	441643103232801	441343	1032328	275	04-05-88	--	1	30	--	--	3,540	3,510
3N 6E10BADC	441400103231501	441412	1032300	625	06-01-82	--	1	-58	--	--	3,445	3,503
3N 6E10ABAA	441314103233301	441430	1032240	425	11-19-82	--	1	-28	--	--	3,400	3,428
3N 6E 9CABB	441358103241801	441358	1032418	260	10-24-80	--	1	220	--	--	3,760	3,540
3N 6E 9BCBB2	441421103242302	441421	1032423	365	05-18-82	--	1	217	--	--	3,740	3,523
3N 6E 9BBCD	441424103243601	441424	1032436	320	06-30-82	--	1	257	--	--	3,780	3,523
3N 6E 5DA	442221103245501	441451	1032455	250	03-19-91	--	1	66	--	--	3,580	3,514
3N 6E 5CD	441441103252301	441441	1032523	140	06-12-87	--	1	18	--	--	3,650	3,632
3N 6E 5BAB	441522103252501	441522	1032525	558	07-21-93	--	1	280	--	--	3,700	3,420
3N 6E 4CB	441453103243801	441453	1032438	328	04-08-86	--	1	70	--	--	3,570	3,500
3N 6E 4	441500103240601	441500	1032406	300	07-18-91	--	1	100	--	--	3,520	3,420
3N 6E 3DD	441443103223701	441443	1032237	1,260	06-10-86	--	1	100	--	--	3,420	3,320
3N 6E 3CBC	441504103230301	441509	1032332	755	07-13-82	--	1	15	--	--	3,460	3,445

Table 3. Selected data for wells used in developing potentiometric map for the Minnelusa aquifer—Continued
 [—, no data.]

USGS local number	Station identification number	Latitude (Degrees, minutes, seconds)	Longitude	Well depth, in feet below land surface	Date of first water-level measurement	Date of last water-level measurement	Number of water-level measurements	Water levels, in feet below or above (-) land surface			Altitude, in feet above sea level	
								Mean	Highest	Lowest	Land surface	Mean hydraulic head
Meade County—Continued												
2N 7E 9AABB	440916103163301	440916	1031633	1,260	10-07-81	--	1	16	--	--	3,420	3,404
2N 7E 8DDCC	440826103174601	440826	1031746	815	09-02-81	--	1	174	--	--	3,600	3,426
2N 7E 8CCCC	440829103183801	440829	1031838	590	10-07-81	--	1	134	--	--	3,560	3,426
2N 7E 8BBBCD	440907103183501	440907	1031835	750	10-07-81	--	1	112	--	--	3,510	3,398
2N 7E 7BACA	440908103193101	440906	1031944	480	01-04-83	--	1	240	--	--	3,720	3,480
2N 7E 7ADAB	440901103184801	440901	1031848	600	10-07-81	--	1	165	--	--	3,580	3,415
2N 7E 6DCD	440930103190501	440930	1031905	--	09- -59	--	1	94	--	--	3,520	3,426
2N 7E 6CDAC	440936103191801	440926	1031925	340	01-25-81	--	1	70	--	--	3,545	3,475
2N 7E 5DDA	440927103173501	440927	1031735	885	07-06-88	--	1	65	--	--	3,440	3,375
2N 7E 4DDC	440929103163501	440920	1031632	1,030	06-18-73	07-15-97	2	37	33.9	40.0	3,435	3,398
2N 7E 4CDDC	440919103170501	440920	1031658	920	06-19-59	--	1	-11	--	--	3,405	3,416
2N 6E 1AABB	441007103201101	441007	1032011	340	03- -77	--	1	293	--	--	3,725	3,432
Pennington County												
3N 6E25DCCD	441125103203001	441104	1032026	500	07-10-87	--	1	260	--	--	3,690	3,430
2N 7E34CBCD	440514103161401	440514	1031614	371	11-22-75	--	1	-80	--	--	3,340	3,420
2N 7E34BDAD	440528103155201	440528	1031552	585	01-03-83	--	1	-74	--	--	3,350	3,424
2N 7E34BCCA ¹	440528103161001	440528	1031610	400	06-30-64	--	(²)	2,-98	-112.7	-76.5	3,329	3,427
2N 7E34B	440538103161001	440538	1031610	220	06-26-91	--	1	12	--	--	3,340	3,328
2N 7E33DAB4	440518103163604	440518	1031636	220	06-26-91	--	1	12	--	--	3,400	3,388
2N 7E33BCD	440525103171701	440525	1031717	240	12-16-86	--	1	77	--	--	3,430	3,353
2N 7E33BCAA	440534103171401	440534	1031714	200	10-21-81	--	1	-1	--	--	3,460	3,461
2N 7E32CDDDB	440458103181101	440458	1031811	180	01-01-76	--	1	10	--	--	3,480	3,470
2N 7E32CDDDD	440459103181001	440459	1031810	180	01-01-76	--	1	10	--	--	3,480	3,470

Table 3. Selected data for wells used in developing potentiometric map for the Minnelusa aquifer—Continued

[--, no data.]

USGS local number	Station identification number	Latitude (Degrees, minutes, seconds)	Longitude	Well depth, in feet below land surface	Date of first water-level measurement	Date of last water-level measurement	Number of water-level measurements	Water levels, in feet above (-) land surface			Altitude, in feet above sea level	
								Mean	Highest	Lowest	Land surface	Mean hydraulic head
Pennington County—Continued												
2N 7E32CDAD	440501103181501	440501	1031815	200	03-03-83	--	1	25	--	--	3,520	3,495
2N 7E32CADA	440532103182001	440516	1031808	310	05-25-83	--	1	22	--	--	3,510	3,488
2N 7E32CAC	450512103182101	440512	1031821	230	02-16-83	--	1	67	--	--	3,520	3,453
2N 7E32BCCC	440521103184401	440521	1031844	--	03-01-83	--	1	111	--	--	3,602	3,491
2N 7E32ABBD ¹	440544103180001	440544	1031800	175	02-23-90	--	(²)	238	13.0	64.1	3,492	3,454
2N 7E32AACD	440534103174801	440534	1031748	195	10-12-80	--	1	160	--	--	3,640	3,480
2N 7E32AABD	440544103174301	440544	1031743	302	11-11-93	--	1	190	--	--	3,640	3,450
2N 7E32AAAC	440545103173501	440545	1031735	300	08-05-94	--	1	170	--	--	3,610	3,440
2N 7E32AAA	440544103173601	440544	1031736	340	06-01-77	07-07-82	2	155	150.0	158.7	3,640	3,486
2N 7E31CDCB	440516103194001	440501	1031933	565	07-10-72	--	1	440	--	--	3,860	3,420
2N 7E31CBBB	440517103194801	440517	1031948	260	12-16-93	--	1	125	--	--	3,800	3,675
2N 7E31BCAA	440533103193801	440533	1031938	440	06-16-82	--	1	287	--	--	3,720	3,433
2N 7E31BBBD	440540103194601	440540	1031946	270	06-16-82	--	1	240	--	--	3,810	3,570
2N 7E31ADCD	440522103185301	440522	1031853	247	06-10-81	--	1	130	--	--	3,580	3,450
2N 7E29DDCA	440639103173701	440553	1031737	340	02-28-79	11-16-82	2	169	160.0	178.5	3,620	3,451
2N 7E29DDBD ²	440556103174801	440556	1031748	320	09-22-91	--	1	180	--	--	3,620	3,440
2N 7E29DDDB	440557103174401	440557	1031744	308	04-23-84	--	1	160	--	--	3,600	3,440
2N 7E29DBD	440605103182801	440605	1031828	330	08-21-89	--	1	190	--	--	3,685	3,495
2N 7E29DACB	440606103174701	440606	1031747	349	11-17-92	--	1	195	--	--	3,600	3,405
2N 7E29DAC5	440552103173401	440603	1031750	220	10-16-85	--	1	140	--	--	3,570	3,430
2N 7E29DAC3	440603103174501	440603	1031745	190	11-14-78	09-15-81	2	132	120.0	143.1	3,600	3,468
2N 7E29DAC1	440605103174701	440605	1031740	349	11-17-92	--	1	195	--	--	3,600	3,405
2N 7E28DADC	440552103162301	440601	1031629	300	06-15-82	--	1	7	--	--	3,360	3,353

Table 3. Selected data for wells used in developing potentiometric map for the Minnelusa aquifer—Continued
 [—, no data.]

USGS local number	Station identification number	Latitude (Degrees, minutes, seconds)	Longitude	Well depth, in feet below land surface	Date of first water-level measurement	Date of last water-level measurement	Number of water-level measurements	Water levels, in feet below or above (-) land surface			Altitude, in feet above sea level	
								Mean	Highest	Lowest	Land surface	Mean hydraulic head
Pennington County—Continued												
2N 7E28CC	440542103172501	440555	1031725	320	02-10-86	--	1	80	--	--	3,500	3,420
2N 7E27CAAB	440607103155901	440613	1031549	615	07-29-83	--	1	-49	--	--	3,360	3,409
2N 7E27BBCB	440635103161801	440631	1031617	--	12-07-81	--	1	35	--	--	3,450	3,415
2N 7E27AABA	440636103152001	440636	1031520	992	08-05-82	--	1	18	--	--	3,435	3,417
2N 7E20ABAD	440719103174801	440719	1031748	263	05-19-82	--	1	33	--	--	3,480	3,447
2N 7E17DDBD	440738103173901	440738	1031739	371	01-03-83	--	1	23	--	--	3,450	3,427
2N 7E17DDAA	440736103173701	440736	1031737	400	01-03-83	--	1	20	--	--	3,450	3,430
2N 7E17D	440747103174901	440747	1031749	440	04-20-94	--	1	66	--	--	3,460	3,394
2N 7E17BACA	440818103174701	440818	1031815	650	01-01-72	--	1	35	--	--	3,500	3,465
2N 7E17BAAD ¹	440818103180801	440820	1031810	560	07-03-84	--	(²)	271	52.9	97.6	3,500	3,429
2N 7E16ABBD	440820103164701	440820	1031647	445	12-14-95	--	1	117	--	--	3,400	3,283
2N 7E16	440800103163001	440800	1031630	320	05-10-92	--	1	60	--	--	3,360	3,300
2N 6E36BBDD	440539103205401	440539	1032054	390	02-05-94	--	1	310	--	--	4,080	3,770
2N 6E35CCBA	440508103221001	440508	1032210	582	09- -93	--	1	353	--	--	4,180	3,827
1N 7E34BBCA	440027103161001	440027	1031610	516	09-16-78	--	1	320	--	--	3,840	3,520
1N 7E34BAC	440028103160801	440028	1031608	660	11-03-85	--	1	380	--	--	3,815	3,435
1N 7E34	440010103154201	440010	1031542	700	10-09-92	--	1	420	--	--	3,820	3,400
1N 7E33ADBB	440007103165301	440017	1031632	540	06-21-82	--	1	368	--	--	3,840	3,472
1N 7E33AABC	440022103163401	440022	1031634	623	10-20-83	--	1	330	--	--	3,850	3,520
1N 7E33AAA	440031103162701	440031	1031627	560	01-26-82	--	1	358	--	--	3,830	3,472
1N 7E33 (3)	440022103171301	440022	1031713	430	07-01-86	--	1	150	--	--	3,860	3,710
1N 7E28CCC	440038103172601	440038	1031726	600	08-15-89	--	1	400	--	--	3,840	3,440
1N 7E27DADB	440059103154101	440051	1031512	1,430	06-18-82	--	1	342	--	--	3,815	3,473

Table 3. Selected data for wells used in developing potentiometric map for the Minnelusa aquifer—Continued
 [—, no data.]

USGS local number	Station identification number	Latitude (Degrees, minutes, seconds)	Longitude	Well depth, in feet below land surface	Date of first water-level measurement	Date of last water-level measurement	Number of water-level measurements	Water levels, in feet above (-) land surface			Altitude, in feet above sea level	
								Mean	Highest	Lowest	Land surface	Mean hydraulic head
Pennington County—Continued												
IN 7E26CCAA	440048103145001	440048	1031450	1,460	05-02-84	--	1	340	--	--	3,820	3,480
IN 7E26BCDA	440103103144801	440103	1031448	1,550	04-06-84	--	1	320	--	--	3,720	3,400
IN 7E23CAB	440149103144301	440149	1031443	1,560	06-25-92	--	1	383	--	--	3,810	3,427
IN 7E23BDAB	440203103143601	440203	1031436	1,870	08-04-82	--	1	398	--	--	3,840	3,442
IN 7E23BCB	440204103150001	440204	1031500	1,680	10-09-76	--	1	450	--	--	3,858	3,408
IN 7E22DCC	440130103153901	440130	1031539	875	08-31-93	--	1	392	--	--	3,780	3,388
IN 7E22CCC	440129103161301	440129	1031613	315	01-17-83	02-17-84	2	87	40.0	134.0	3,650	3,563
IN 7E22BDCC	440158103160401	440155	1031600	445	05-15-80	--	1	127	--	--	3,565	3,438
IN 7E21DBA	440148103164101	440148	1031641	602	10-11-85	--	1	213	--	--	3,620	3,407
IN 7E21BDA	440202103165801	440202	1031658	565	05-23-85	--	1	350	--	--	3,760	3,410
IN 7E21BADA	440211103165201	440211	1031703	422	06-17-82	--	1	232	--	--	3,650	3,418
IN 7E21ACC	440155103165001	440155	1031650	--	05-27-86	--	1	65	--	--	3,660	3,595
IN 7E21ABDB	440211103164301	440211	1031643	200	06-21-82	--	1	144	--	--	3,570	3,426
IN 7E21	440158103165601	440158	1031656	240	04-08-91	--	1	139	--	--	3,740	3,601
IN 7E17BDC	440249103182101	440249	1031821	115	07-05-91	--	1	30	--	--	3,480	3,450
IN 7E17BBA	440308103183001	440308	1031830	--	05-12-86	--	1	45	--	--	3,480	3,435
IN 7E17BABD	440307103181501	440307	1031815	440	01-14-85	--	1	325	--	--	3,725	3,400
IN 7E17	440246103180801	440246	1031808	78	06-26-92	--	1	15	--	--	3,700	3,685
IN 7E16CCCA	440224103172601	440224	1031726	612	07-07-82	--	1	450	--	--	3,800	3,350
IN 7E16CACD	440233103170501	440233	1031705	258	09-30-81	--	1	182	--	--	3,580	3,398
IN 7E16CACC	440234103171201	440234	1031712	300	09-09-82	--	1	170	--	--	3,600	3,430
IN 7E16CAB	440242103170801	440242	1031708	260	06-23-95	--	1	85	--	--	3,500	3,415
IN 7E16BDBB	440247103165401	440247	1031710	235	07-20-82	--	1	141	--	--	3,500	3,359

Table 3. Selected data for wells used in developing potentiometric map for the Minnelusa aquifer—Continued

[--, no data.]

USGS local number	Station identification number	Latitude (Degrees, minutes, seconds)	Longitude	Well depth, in feet below land surface	Date of first water-level measurement	Date of last water-level measurement	Number of water-level measurements	Water levels, in feet below or above (-) land surface			Altitude, in feet above sea level	
								Mean	Highest	Lowest	Land surface	Mean hydraulic head
Pennington County—Continued												
IN 7E16BCC	440249103172701	440249	1031727	317	07-02-92	--	1	176	--	--	3,580	3,404
IN 7E16BCB	440255103172601	440255	1031726	200	12-06-91	--	1	128	--	--	3,560	3,432
IN 7E16BC	440252103172201	440252	1031722	280	05-26-93	--	1	204	--	--	3,540	3,336
IN 7E16BBB	440336103165301	440307	1031730	250	07-20-82	--	1	222	--	--	3,575	3,353
IN 7E16BADA2	440305103164501	440305	1031659	250	05-15-79	09-22-82	2	113	75.5	150.0	3,440	3,327
IN 7E16BADA	440211103165601	440302	1031656	207	04-05-79	--	1	70	--	--	3,440	3,370
IN 7E16BAD2	440302103172601	440302	1031726	222	08-24-94	--	1	25	--	--	3,440	3,415
IN 7E16BAD	440301103165701	440301	1031657	300	07-03-85	--	1	90	--	--	3,440	3,350
IN 7E16BACC	440257103171101	440312	1031711	240	02-07-73	--	1	165	--	--	3,520	3,355
IN 7E16BAC	440300103170901	440300	1031709	220	06-20-84	--	1	120	--	--	3,500	3,380
IN 7E16BAAB	440309103170101	440309	1031701	183	03-24-79	--	1	70	--	--	3,430	3,360
IN 7E16	440308103172501	440308	1031725	312	07-28-93	--	1	202	--	--	3,580	3,378
IN 7E15DCCA	440214103153501	440223	1031537	780	02-09-77	--	1	190	--	--	3,600	3,410
IN 7E15CCBC	440223103161701	440229	1031616	360	09-01-82	--	1	43	--	--	3,440	3,397
IN 7E15CBBB2	440244103154102	440240	1031612	460	12-08-82	--	1	82	--	--	3,475	3,393
IN 7E14CBCA	440236103145801	440236	1031458	1,650	07-20-76	--	1	475	--	--	3,880	3,405
IN 7E14BABD	440308103144301	440305	1031442	1,820	03-14-84	--	1	470	--	--	3,833	3,363
IN 7E11DBAD	440331103142701	440237	1031414	1,760	11-11-80	--	1	380	--	--	3,560	3,180
IN 7E10CADD	440331103155101	440331	1031551	700	07-07-82	--	1	14	--	--	3,410	3,396
IN 7E 8DDCD ¹	440310103173801	440312	1031740	360	10-08-91	--	(²)	2-29	-112.7	30.2	3,410	3,439
IN 7E 8CDA	440321103181001	440321	1031810	135	08-24-81	--	1	95	--	--	3,460	3,365
IN 7E 8ADDD ¹	440338103173301	440338	1031733	115	01-20-90	--	(²)	211	9.6	14.3	3,371	3,360
IN 7E 8AC	440344103173701	440344	1031737	140	06-23-85	--	1	100	--	--	3,460	3,360

Table 3. Selected data for wells used in developing potentiometric map for the Minnelusa aquifer—Continued

[--, no data.]

USGS local number	Station identification number	Latitude (Degrees, minutes, seconds)	Longitude	Well depth, in feet below land surface	Date of first water-level measurement	Date of last water-level measurement	Number of water-level measurements	Water levels, in feet above (-) land surface			Altitude, in feet above sea level	
								Mean	Highest	Lowest	Land surface	Mean hydraulic head
Pennington County—Continued												
1N 7E 7DBC	440328103191001	440328	1031910	155	07-03-80	--	1	60	--	--	3,700	3,640
1N 7E 7ACA	440347103190501	440347	1031905	--	01-01-41	--	1	62	--	--	3,497	3,435
1N 7E 7AC	440344103190801	440344	1031908	152	01-01-39	--	1	50	--	--	3,506	3,456
1N 7E 5DBCA ¹	440423103180501	440423	1031805	224	01-10-90	--	(²)	² 181	169.4	191.1	3,580	3,399
1N 7E 5CDD	440403103183701	440403	1031837	330	06-22-81	--	1	198	--	--	3,580	3,382
1N 7E 5BBDB	440447103183101	440447	1031831	500	05-16-84	--	1	350	--	--	3,770	3,420
1N 7E 5BACA	440445103181601	440445	1031816	360	04-05-82	--	1	230	--	--	3,700	3,470
1N 7E 5BAC	440446103181801	440446	1031818	430	11-27-95	--	1	285	--	--	3,700	3,415
1N 7E 5ABCA	440449103181501	440449	1031815	207	02-22-83	--	1	36	--	--	3,490	3,454
1N 7E 3BCDD ¹	440430103160201	440430	1031602	570	10-31-73	--	(²)	² -90	-109.1	-73.5	3,300	3,390
1N 7E 3BABD	440452103155301	440452	1031553	600	03-07-90	--	1	-49	--	--	3,340	3,389
1N 6E12DAAC	440331103200301	440331	1032003	415	08-05-30	--	1	300	--	--	3,860	3,560
1S 1E28BA	435622104002501	435622	1040025	28	06-28-77	10-24-96	2	11	9.0	12.4	6,400	6,389
1S 7E 3CDBD2 ¹	435916103161802	435916	1031618	660	10-25-94	--	(²)	² -7	-11.8	18.4	3,520	3,527
1S 7E10ABBD	435858103155701	435901	1031603	515	01-10-83	--	1	23	--	--	3,518	3,495
1S 7E10BCAC	435845103163401	435845	1031634	300	01-01-39	09-29-81	2	224	208.7	240.0	3,700	3,476
1S 7E13CBCA	435720103141601	435739	1031416	1,530	07-20-76	07-20-82	2	248	216.0	280.0	3,780	3,532
1S 7E15ABC	435803103160301	435803	1031603	245	09-10-87	--	1	125	--	--	3,680	3,555
1S 7E15CABA	445809103162201	435744	1031622	430	06-11-90	--	1	230	--	--	3,765	3,535
2S 7E 4ACDB	435352103170801	435052	1031828	358	01-27-83	--	1	224	--	--	3,800	3,576
2S 7E 9CBDA	435325103171701	435422	1031711	580	07-06-77	--	1	410	--	--	3,960	3,550
2S 7E10BAD	435340103161001	435317	1031739	675	04-22-92	--	1	290	--	--	3,660	3,370
2S 7E16CACA	435225103172801	435340	1031610	240	01-27-83	--	1	131	--	--	3,700	3,569

Table 3. Selected data for wells used in developing potentiometric map for the Minnelusa aquifer—Continued

[--, no data.]

USGS local number	Station identification number	Latitude (Degrees, minutes, seconds)	Longitude	Well depth, in feet below land surface	Date of first water-level measurement	Date of last water-level measurement	Number of water-level measurements	Water levels, in feet below or above (-) land surface			Altitude, in feet above sea level	
								Mean	Highest	Lowest	Land surface	Mean hydraulic head
2S 7E29	435052103182801	435225	1031728	--	11-14-78	--	1	120	--	--	3,800	3,680
Pennington County—Continued												
Custer County												
2S 7E21CCC	435119103175001	435119	1031750	500	04-28-93	--	1	330	--	--	3,865	3,535
2S 7E21DDC	435115103170501	435115	1031705	350	04-09-81	--	1	219	--	--	3,750	3,531
2S 7E28ACDC	435050103170501	435050	1031705	167	08-21-84	--	1	63	--	--	3,700	3,637
2S 7E28ADCB	435053103170001	435053	1031700	300	11-21-83	--	1	241	--	--	3,760	3,519
2S 7E28ADD	435050103165301	435050	1031653	320	08-24-84	--	1	140	--	--	3,740	3,600
2S 7E28BDCA	435052103172901	435052	1031729	425	08-21-84	--	1	337	--	--	3,825	3,488
2S 7E28CABA	435048103171301	435035	1031731	320	07-24-80	--	1	90	--	--	3,545	3,455
2S 7E28CDBC	435031103173401	435031	1031734	77	08-21-84	--	1	43	--	--	3,560	3,517
2S 7E28DDCB	435028103240601	435028	1031702	309	06-30-79	--	1	265	--	--	3,760	3,495
2S 7E29DACA	435042103180301	435042	1031803	75	08-21-84	--	1	34	--	--	3,590	3,556
2S 7E33BABA	435019103173101	435019	1031731	468	08-15-83	01-11-96	2	261	260.0	262.4	3,820	3,559
2S 7E33BAC	435010103173001	435010	1031730	292	02-22-82	01-11-96	2	248	246.3	250.0	3,760	3,512
2S 7E34ABBA ¹	435018103155801	435018	1031558	510	07-27-83	--	(²)	² -72	-92.0	-62.8	3,478	3,549
2S 7E34BCB	435006103163801	435006	1031638	240	03-31-89	--	1	80	--	--	3,560	3,480
2S 7E34BDBC	435008103162501	435008	1031625	225	07-01-78	--	1	-21	--	--	3,500	3,521
2S 7E36ACBC	435007103134201	435007	1031342	330	01-01-83	--	1	210	--	--	3,560	3,350
2S 7E36ADCC	434958103132101	434958	1031321	415	10-20-83	--	1	75	--	--	3,400	3,325
3S 1E18DDDB2 ¹	434700104021402	434700	1040214	415	09-16-93	--	(²)	² 383	379.5	384.2	4,645	4,262
3S 7E 5DDCA	434847103175801	434842	1031805	287	03-01-95	01-12-96	2	38	25.6	49.0	3,690	3,653
3S 7E10BADB	434832103161701	434829	1031611	605	11-18-81	--	1	-92	--	--	3,505	3,597
3S 7E17DCDC	434656103182001	434656	1031820	--	11-18-81	01-11-96	2	23	21.6	23.4	3,660	3,637

Table 3. Selected data for wells used in developing potentiometric map for the Minnelusa aquifer—Continued

[--, no data.]

USGS local number	Station identification number	Latitude (Degrees, minutes, seconds)	Longitude	Well depth, in feet below land surface	Date of first water-level measurement	Date of last water-level measurement	Number of water-level measurements	Water levels, in feet above (-) land surface			Altitude, in feet above sea level	
								Mean	Highest	Lowest	Land surface	Mean hydraulic head
Custer County—Continued												
3S 7E30DDAC	434500103192201	434519	1031922	280	08-26-81	01-11-96	2	169	165.6	173.0	3,800	3,631
3S 7E33ABC	434500103170501	434500	1031705	1,200	06-19-85	--	1	200	--	--	3,740	3,540
4S 6E 1DAAA2 ¹	434350103201902	434350	1032019	270	08-09-93	--	(²)	² 184	164.4	190.3	3,860	3,676
4S 7E25DDDB	434001103131301	434001	1031313	2,250	08-31-81	--	1	139	--	--	3,392	3,253
4S 8E12AA	434316103061101	434316	1030611	3,770	12-05-80	--	1	319	--	--	3,158	2,839
5S 2E28BCCB2 ¹	433517103534202	433517	1035342	642	07-21-95	--	(²)	² 553	552.1	553.6	4,259	3,706
5S 4E19DDDD	433539103404701	433539	1034047	186	03-04-78	09-17-81	2	111	100.0	122.8	4,840	4,729
5S 6E 2BAA	433903103222001	433903	1032220	507	02-18-69	12-03-95	3	108	97.3	130.0	3,900	3,792
6S 3E 2BB	433347103440301	433347	1034403	120	12-27-86	--	1	38	--	--	4,720	4,682
6S 3E25ADDC	433003103420701	433000	1034158	280	05-04-94	--	1	240	--	--	4,435	4,195
6S 4E 4BADA	433347103385101	433343	1033857	132	06-24-77	--	1	44	--	--	4,720	4,676
6S 4E15AAD	433158103371301	433158	1033713	260	06-30-79	10-15-81	2	210	210.0	210.5	4,700	4,490
6S 4E16A	433155103383801	433155	1033838	120	07-16-81	--	1	45	--	--	4,820	4,775
6S 4E21DB	433036103383601	433040	1033841	146	06-08-79	10-15-81	2	61	55.0	66.6	4,650	4,589
6S 4E24	433120103352501	433049	1033525	360	05-13-81	--	1	260	--	--	4,700	4,440
6S 4E28BDA	433007103390001	433007	1033900	291	08-01-80	--	1	218	--	--	4,560	4,342
6S 5E24BC	433026103284501	433056	1032845	680	06-01-78	--	1	510	--	--	4,100	3,590
6S 5E25ADD	433513103203201	433003	1032742	580	08-27-81	--	1	399	--	--	3,935	3,536
6S 6E21BBBB2 ¹	433115103251402	433115	1032514	480	10-31-91	--	(²)	² 159	152.8	160.8	3,646	3,487
6S 6E30DCA	432944103265401	432944	1032654	560	08-27-81	--	1	466	--	--	3,860	3,394
Fall River County												
7S 4E 1BDAC	432823103352601	432823	1033526	130	04-06-82	--	1	80	--	--	4,440	4,360
7S 4E 1CAD	432803103352501	432803	1033525	140	05-30-87	--	1	90	--	--	4,400	4,310

Table 3. Selected data for wells used in developing potentiometric map for the Minnelusa aquifer—Continued

[--, no data.]

USGS local number	Station identification number	Latitude (Degrees, minutes, seconds)	Longitude	Well depth, in feet below land surface	Date of first water-level measurement	Date of last water-level measurement	Number of water-level measurements	Water levels, in feet below or above (-) land surface			Altitude, in feet above sea level	
								Mean	Highest	Lowest	Land surface	Mean hydraulic head
Fall River County—Continued												
7S 4E 1DBA	432812103350901	432812	1033509	134	02-02-83	--	1	112	--	--	4,370	4,258
7S 4E10DADC	432717103372501	432706	1033715	120	11-12-80	--	1	60	--	--	4,100	4,040
7S 4E19BCCB ² ¹	432548103414802	432546	1034151	710	05-03-95	--	(²)	² 537	535.8	538.9	4,175	3,638
7S 5E 14CCCC ² ¹	432603103295902	432810	1032940	320	02-28-96	--	(²)	² 231	230.1	234.7	3,716	3,485
7S 5E 2CABA	432810103291801	432810	1032949	520	11-01-87	--	1	180	--	--	3,750	3,570
7S 5E 2CBA	432810103294901	432704	1033014	520	11-01-87	--	1	180	--	--	3,760	3,580
7S 5E10DDB	432704103301401	432637	1032917	146	05-27-87	--	1	65	--	--	3,600	3,535
7S 5E14AC	432637103290401	432603	1032959	75	12-16-81	--	1	50	--	--	3,580	3,530
7S 5E15AAC	432642103301301	432642	1033013	115	05-21-82	--	1	68	--	--	3,595	3,527
7S 5E15BAAB	432702103304401	432650	1033044	140	05-27-82	--	1	40	--	--	3,800	3,760
7S 5E16BCC	432630103321801	432630	1033218	268	11-23-81	--	1	194	--	--	3,860	3,666
7S 5E16BDC	432636103320101	432636	1033201	360	12-19-89	--	1	176	--	--	3,900	3,724
7S 5E17CCA	432720103341001	432608	1033326	460	05-01-77	11-05-81	2	342	323.8	360.0	3,890	3,548
7S 5E20DDD	432521103324301	432511	1033227	450	07-17-80	--	1	240	--	--	3,970	3,730
7S 5E21BBB	432611103322001	432557	1033214	346	07-20-79	11-03-81	2	329	318.4	340.0	3,890	3,561
7S 5E21BCB ²	432536103314702	432536	1033147	410	04-17-78	11-03-81	2	336	321.2	350.0	3,900	3,564
7S 5E22AACB	432553103301501	432553	1033015	400	07-21-83	--	1	363	--	--	3,900	3,537
7S 5E22BCCB	432541103310901	432541	1033109	580	08-10-77	11-23-81	2	375	349.5	400.0	4,100	3,725
7S 5E22CDCB	432523103305401	432523	1033054	501	08-01-77	11-16-81	2	260	230.0	289.2	3,950	3,690
7S 5E22CDCD	432510103304801	432510	1033048	363	08-11-77	--	1	230	--	--	3,850	3,620
7S 5E23AB	432551103292501	432551	1032925	360	07-15-83	--	1	310	--	--	3,630	3,320
7S 5E26CBA	432441103294801	432441	1032948	500	07-01-77	11-16-81	2	304	288.5	320.0	3,640	3,336
7S 5E27AAD	432447103302101	432447	1033021	240	06-27-80	--	1	180	--	--	3,715	3,535

Table 3. Selected data for wells used in developing potentiometric map for the Minnelusa aquifer—Continued
[--, no data.]

USGS local number	Station identification number	Latitude (Degrees, minutes, seconds)	Longitude	Well depth, in feet below land surface	Date of first water-level measurement	Date of last water-level measurement	Number of water-level measurements	Water levels, in feet above (-) land surface			Altitude, in feet above sea level	
								Mean	Highest	Lowest	Land surface	Mean hydraulic head
Fall River County—Continued												
7S 5E27CCA	432437103305701	432437	1033057	350	05-01-90	--	1	305	--	--	3,750	3,445
7S 5E33CDAD	432332103314801	432332	1033148	483	06-26-77	--	1	425	--	--	3,895	3,470
7S 5E33DDDB	4323311033312001	432331	1033120	460	11-10-89	--	1	356	--	--	3,830	3,474
7S 5E34BDC	432352103303601	432352	1033036	486	08-01-78	--	1	400	--	--	3,750	3,350
8S 5E 4	432258103314901	432258	1033149	420	11-01-86	--	1	347	--	--	3,803	3,456
8S 5E 8ABBB	432257103324901	432232	1033259	540	03-18-90	--	1	462	--	--	3,995	3,533
8S 5E 8DAC	432156103323501	432156	1033235	485	08-15-77	11-05-81	2	372	360.0	384.5	3,875	3,503
8S 5E 9BAB	432207103305801	432230	1033202	492	08-26-88	--	1	350	--	--	3,805	3,455
8S 5E17ABD	432130103324201	432130	1033242	560	07-12-81	11-25-81	2	407	383.0	431.0	3,866	3,459
8S 5E17ACBB	432127103325601	432127	1033256	680	02-20-92	--	1	462	--	--	3,900	3,438
8S 5E17DCDB	432058103324501	432055	1033246	400	04-16-83	--	1	362	--	--	3,850	3,488
8S 5E20ACC	432025103325401	432025	1033254	320	01-02-92	--	1	242	--	--	3,690	3,448
8S 6E 5BACD	432313103260401	432313	1032604	320	08-24-82	--	1	244	--	--	3,620	3,376

¹Continuous recording well.

²Numerous measurements available; mean water level computed from daily lowest water levels below land surface.

Table 4. Selected data for wells used in developing potentiometric map for the Madison aquifer

[--, no data]

USGS local number	Station identification number	Latitude (Degrees, minutes, seconds)	Longitude	Well depth, in feet below land surface	Date of first water-level measurement	Date of last water-level measurement	Number of water-level measurements	Water levels, in feet above (-) land surface			Altitude, in feet above sea level	
								Mean	Highest	Lowest	Land surface	Mean hydraulic head
Butte County												
9N 3E27ADB	444253103440001	444253	1034359	4,016	07-52	--	1	-590	--	--	3,002	3,592
9N 3E20CDD	444312103465901	444313	1034653	3,510	06-14-77	--	1	-693	--	--	3,099	3,792
9N 2E34CDD	444129103514801	444129	1035148	3,320	10-10-81	10-18-95	3	-392	-404	-378.9	3,185	3,577
8N 5E 5BC	444110103324501	444110	1033245	4,440	04-11-81	03-21-98	4	-588	-595	-578	2,900	3,488
8N 3E13AA	443940103412701	443940	1034127	3,750	09-16-91	--	1	-497	--	--	2,911	3,408
8N 2E28DDC	443716103522501	443716	1035225	2,220	03-11-80	--	1	-370	--	--	3,242	3,612
7N 2E 6CDB	443534103552601	443534	1035526	2,180	04-21-82	--	1	-231	--	--	3,365	3,596
7N 1E11BCA	443511103575801	443511	1035758	1,440	10-12-77	--	1	-270	--	--	3,360	3,630
Lawrence County												
7N 1E33CCD ¹	443100104002001	443104	1040025	1,100	07-12-89	--	(²)	2,-76	-102.1	-58.3	3,665	3,741
6N 4E32DD	442600103390101	442600	1033901	415	03-02-86	--	1	265	--	--	3,839	3,574
6N 4E31CCBA	442600103411301	442600	1034113	705	05-06-85	--	1	530	--	--	4,080	3,550
6N 4E16DDBB	442835103380101	442835	1033801	1,440	08-25-86	--	1	98	--	--	3,560	3,462
6N 3E35DDBB	442605103424501	442605	1034245	900	05-03-86	--	1	690	--	--	4,200	3,510
6N 3E34BB	442640103444501	442640	1034445	922	10-26-93	--	1	660	--	--	4,160	3,500
6N 3E33BABC	442637103451901	442637	1034550	760	04-30-90	--	1	530	--	--	4,190	3,660
6N 3E29DDDB	442651103460401	442648	1034616	700	06-28-78	--	1	450	--	--	4,190	3,740
6N 3E26BDBD	442715103432301	442715	1034323	880	02-24-83	--	1	176	--	--	3,898	3,722
6N 3E20DDAC	442652103472801	442743	1034618	680	10-19-87	--	1	440	--	--	4,015	3,575
6N 3E20BAAC	442823103465201	442823	1034652	902	12-12-95	--	1	410	--	--	3,940	3,530
6N 3E15DDDA ²	442833103434602	442833	1034346	780	09-18-95	--	(²)	² 231	222.6	250.5	3,768	3,537
6N 3E 8DC	442923103463801	442923	1034638	662	10-17-92	--	1	320	--	--	3,830	3,510
6N 2E25BBCA	442727103493701	442727	1034937	615	01-18-82	08-09-88	2	461	422	500	4,105	3,644
6N 2E22CBAB	442757103512901	442802	1035157	870	09-27-91	--	1	576	--	--	4,240	3,664

Table 4. Selected data for wells used in developing potentiometric map for the Madison aquifer—Continued

[--, no data]

USGS local number	Station identification number	Latitude (Degrees, minutes, seconds)	Longitude	Well depth, in feet below land surface	Date of first water-level measurement	Date of last water-level measurement	Number of water-level measurements	Water levels, in feet above (-) land surface			Altitude, in feet above sea level	
								Mean	Highest	Lowest	Land surface	Mean hydraulic head
Lawrence County—Continued												
6N 2E22BCBA2	442813103520501	442813	1035205	1,140	06-23-81	--	1	575	--	--	4,160	3,585
6N 2E20ABAB	442825103535001	442825	1035350	--	03-15-71	08-01-83	2	518	500	535	4,240	3,722
6N 2E19DABA ¹	442802103544601	442760	1035449	1,100	07-16-97	--	(²)	2905	898.3	911.3	4,590	3,685
6N 2E16BDC	442853103530001	442853	1035300	--	01-06-80	--	1	340	--	--	3,980	3,640
6N 2E16BBBC	442907103530801	442915	1035320	--	04-07-83	--	1	243	--	--	3,940	3,697
6N 2E16BA	442917103525601	442917	1035256	760	05-01-86	--	1	360	--	--	3,905	3,545
6N 2E14CBCC	442842103505501	442842	1035055	842	09-09-93	--	1	107	--	--	3,760	3,653
6N 2E14ACDC	442855103503501	442855	1035007	1,180	06-01-87	--	1	120	--	--	3,810	3,690
6N 2E14BCCC ²	442854103505602	442854	1035054	680	08-19-88	--	(²)	296	48.8	115.5	3,735	3,639
6N 2E 9ADDB	442950103521501	442950	1035220	741	09-02-88	06-04-92	2	-8	-16.2	0	3,640	3,648
5N 4E23ADBA	442259103353101	442259	1033531	560	09-20-77	--	1	330	--	--	4,010	3,680
5N 4E23ABCA	442309103354401	442309	1033544	105	07-01-74	--	1	57	--	--	3,910	3,853
5N 4E23AAAC	442309103352201	442309	1033522	380	09-07-77	--	1	230	--	--	3,890	3,660
5N 4E22ADDA	442301103365501	442301	1033655	560	10-27-97	--	1	368	--	--	4,060	3,692
5N 4E19C	442242103410301	442242	1034103	100	08-02-75	--	1	40	--	--	4,760	4,720
5N 4E18BDCD	442344103405601	442343	1034056	540	11-18-83	--	1	305	--	--	4,800	4,495
5N 4E15DBCB	442334103370501	442334	1033705	700	08-16-82	--	1	603	--	--	4,210	3,607
5N 4E15ABCA	442358103370101	442358	1033701	900	12-17-82	--	1	626	--	--	4,260	3,634
5N 4E14BBB	443146103362301	442403	1033623	870	09-02-83	--	1	420	--	--	4,130	3,710
5N 4E 1ABBD ²	442545103343702	442545	1033437	822	11-30-90	--	(²)	2208	173.5	229.7	3,629	3,421
5N 3E24AD	442257103413001	442257	1034130	300	08-06-84	--	1	60	--	--	4,650	4,590
5N 3E24AA	442313103412301	442313	1034123	120	07-02-82	--	1	35	--	--	4,685	4,650
5N 3E 1DCCB	442504103415301	442504	1034153	550	05-30-78	--	1	321	--	--	4,360	4,039
5N 3E 1ADA2	442536103412601	442536	1034126	1,160	10-02-92	--	1	836	--	--	4,310	3,474

Table 4. Selected data for wells used in developing potentiometric map for the Madison aquifer—Continued

[--, no data]

USGS local number	Station identification number	Latitude (Degrees, minutes, seconds)	Longitude	Well depth, in feet below land surface	Date of first water-level measurement	Date of last water-level measurement	Number of water-level measurements	Water levels, in feet above (-) land surface			Altitude, in feet above sea level	
								Mean	Highest	Lowest	Land surface	Mean hydraulic head
Lawrence County—Continued												
5N 2E33DCAA2	442113103524101	442053	1035233	480	10-28-82	--	1	100	--	--	6,040	5,940
5N 2E33DC3	442047103523901	442047	1035239	512	04-13-90	--	1	193	--	--	6,020	5,827
5N 2E32BD	442115103540901	442115	1035409	716	01-09-88	--	1	581	--	--	5,900	5,319
5N 2E30DAC	442150103545001	442150	1035450	615	10-24-88	--	1	534	--	--	5,650	5,116
5N 2E17CACC	442253103540001	442332	1035417	98.8	12-21-82	--	1	89	--	--	4,760	4,671
5N 2E15BDB	442353103514801	442353	1035148	320	08-07-86	--	1	275	--	--	5,600	5,325
5N 2E15BAD	442358103513701	442358	1035137	220	07-05-86	--	1	88	--	--	5,620	5,532
5N 1E14DDDC	442324103570901	442324	1035709	280	06-30-87	--	1	160	--	--	5,400	5,240
5N 1E14DBB	442339103572901	442339	1035729	330	10-30-91	--	1	240	--	--	5,480	5,240
5N 1E11DABA	442435103571101	442435	1035711	780	11-29-95	--	1	612	--	--	5,530	4,918
4N 4E13B	441845103352001	441845	1033520	227	11-14-90	--	1	160	--	--	5,050	4,890
4N 4E13A	441838103344301	441838	1033443	227	11-14-90	--	1	160	--	--	4,880	4,720
4N 2E29AACB	441700103535401	441700	1035354	50	09-21-81	--	1	28	--	--	5,525	5,497
4N 2E20BBAC ¹	441757103544601	441757	1035446	460	08-27-97	--	(²)	2 ³⁷⁰	363.7	386.5	6,210	5,840
4N 2E 4AABC2	442033103524402	442033	1035244	300	05-11-87	--	1	120	--	--	6,040	5,920
3N 1E27DBAA	441134103590301	441134	1035845	420	09-15-86	--	1	285	--	--	6,545	6,260
3N 1E27BCBB	441140103593601	441140	1035936	555	09-30-83	--	1	435	--	--	6,700	6,265
3N 1E22ACCA	441230103585801	441230	1035858	340	09-09-85	--	1	210	--	--	6,500	6,290
3N 1E22AA	441242103583701	441242	1035837	268	08-18-79	--	1	151	--	--	6,345	6,194
3N 1E20DC	441202104012101	441202	1040121	500	10-22-80	--	1	300	--	--	6,595	6,295
3N 1E14CACB	441309103580901	441309	1035809	300	08-09-85	--	1	150	--	--	6,340	6,190
Meade County												
6N 6E19BBBA	442824103264101	442824	1032641	900	09-24-93	--	1	22	--	--	3,200	3,178
5N 5E36DBCBC	442058103273001	442058	1032730	1,050	05-31-78	09-28-81	2	516	444.0	588.4	3,720	3,204
5N 5E26CCA	442139103290701	442139	1032907	975	09-11-90	--	1	700	--	--	4,160	3,460

Table 4. Selected data for wells used in developing potentiometric map for the Madison aquifer—Continued

[--, no data]

USGS local number	Station identification number	Latitude (Degrees, minutes, seconds)	Longitude	Well depth, in feet below land surface	Date of first water-level measurement	Date of last water-level measurement	Number of water-level measurements	Water levels, in feet above (-) land surface			Altitude, in feet above sea level	
								Mean	Highest	Lowest		
								Mean	Highest	Lowest	Land surface	Mean hydraulic head
Meade County—Continued												
5N 5E26ABDA	442217103272201	442215	1032829	1,470	09- 61	--	1	496	--	--	3,625	3,129
5N 5E16CAAD ¹	442335103311001	442337	1033111	839	06-16-86	--	(²)	2,544	531.4	567.8	3,606	3,062
5N 5E 7ABC2	442449103331601	442446	1033324	340	04-08-93	--	1	195	--	--	3,700	3,505
4N 6E19AABA2 ¹	441759103261202	441759	1032612	840	11-27-90	--	(²)	211	-34.0	55.0	3,639	3,628
4N 5E16DBC	441817103311901	441817	1033119	360	06-02-93	--	1	165	--	--	4,620	4,455
4N 5E16BDD	441830103312701	441830	1033127	115	05-30-95	--	1	80	--	--	4,620	4,540
3N 6E23ACD	441220103213601	441220	1032136	918	05-14-93	--	1	210	--	--	3,540	3,330
3N 6E21DDCD	441157103234301	441157	1032343	71	08-11-82	--	1	45.8	--	--	3,900	3,854
3N 6E15ABB2 ¹	441337103225002	441337	1032250	880	11-30-94	--	(²)	2,-101	-119.8	-82.0	3,477	3,578
3N 6E 5CACC	441500103253501	441445	1032536	238	06-20-88	--	1	45	--	--	3,690	3,645
2N 7E 8BBC	441636103183801	440907	1031838	1,160	05-22-86	--	1	15	--	--	3,530	3,515
2N 6E10DD	440828103222601	440828	1032226	380	07-19-86	--	1	225	--	--	4,120	3,895
2N 6E 5DBD	440933103250701	440933	1032507	282	02-01-80	--	1	220	--	--	4,500	4,280
2N 6E 5CAD	440934103252001	440934	1032520	245	02-04-83	--	1	185	--	--	4,465	4,280
2N 6E 5CAC	440933103253301	440933	1032533	245	12-31-82	--	1	200	--	--	4,500	4,300
Pennington County												
2N 9E29BBCC	440629103040901	440629	1030409	4,450	03-18-83	--	1	480	--	--	3,043	2,563
2N 9E 7CDCC	440851103044801	440855	1030510	4,650	02-15-51	--	1	543	--	--	3,230	2,687
2N 8E13BDCC	440753103110801	440800	1030613	4,440	01-13-83	--	1	605	--	--	3,190	2,585
2N 7E32ABBD2 ¹	440544103180002	440544	1031800	826	10-23-89	02-23-90	(²)	236	5.0	65.6	3,492	3,456
2N 7E31CCCA	440500103193601	440458	1031950	680	08-21-71	--	1	450	--	--	3,974	3,524
2N 7E31CAB	440518103193001	440518	1031930	420	07-22-88	--	1	200	--	--	3,670	3,470
2N 7E30BADC	440630103192501	440630	1031925	745	09-23-81	--	1	463.5	--	--	4,000	3,536
2N 7E27DABB	440612103152001	440612	1031522	1,790	08-12-91	--	1	-73	--	--	3,363	3,436

Table 4. Selected data for wells used in developing potentiometric map for the Madison aquifer—Continued

[--, no data]

USGS local number	Station identification number	Latitude (Degrees, minutes, seconds)	Longitude	Well depth, in feet below land surface	Date of first water-level measurement	Date of last water-level measurement	Number of water-level measurements	Water levels, in feet above (-) land surface			Altitude, in feet above sea level	
								Mean	Highest	Lowest	Land surface	Mean hydraulic head
Pennington County—Continued												
2N 7E27DAB	440611103152401	440611	1031524	1,790	08-07-91	--	1	-80.75	--	--	3,380	3,461
2N 7E27ACAB	440622103152701	440625	1031530	1,460	12-04-91	01-10-98	2	-80	-116.0	-45.0	3,400	3,480
2N 7E23DADC	440655103140501	440655	1031407	2,680	02-19-91	--	1	125	--	--	3,527	3,402
2N 7E23DACA	440659103140501	440659	1031405	2,680	02-08-91	--	1	125	--	--	3,500	3,375
2N 7E19CDAD	440650103193201	440650	1031932	745	09-23-81	--	1	462	--	--	3,990	3,528
2N 7E16AAB	440823103162701	440823	1031627	1,530	08-30-89	--	1	-32	--	--	3,400	3,432
2N 7E 8DDCC2	440826103174701	440826	1031747	790	08-24-77	--	1	150	--	--	3,600	3,450
2N 6E35CCAB	440508103220701	440508	1032207	450	07-31-90	--	1	390	--	--	4,140	3,750
2N 6E35CAC	440512103215701	440512	1032157	436	02-15-72	--	1	396	--	--	4,130	3,734
2N 6E35AADA2	440540103211301	440540	1032113	740	12-20-82	--	1	474	--	--	4,120	3,646
2N 6E26BAAC	440636103214701	440636	1032147	340	09-19-80	12-20-82	2	256	240.8	270.0	3,950	3,694
2N 6E26AAD	440631103211201	440631	1032112	357	09-02-81	--	1	295	--	--	3,940	3,645
2N 6E23DBA	440658103213001	440658	1032130	420	12-18-85	--	1	200	--	--	3,860	3,660
2N 6E15DDD	440737103222501	440737	1032225	415	09-10-95	--	1	335	--	--	4,160	3,825
2N 6E15DDB	440744103223401	440744	1032234	407	03-15-95	--	1	318	--	--	4,210	3,892
2N 6E15CBDD	440758103225601	440758	1032256	540	11-16-81	--	1	347	--	--	4,260	3,913
2N 6E15CBBD	440753103232401	440753	1032324	410	07-28-78	--	1	280	--	--	4,260	3,980
2N 6E15CBA	440755103231801	440755	1032318	480	11-02-83	--	1	305	--	--	4,320	4,015
2N 6E15BDB	440804103230501	440804	1032305	370	04-22-94	--	1	290	--	--	4,260	3,970
2N 6E15BDA	440807103225801	440807	1032258	340	04-27-93	--	1	297	--	--	4,260	3,963
2N 6E15BC	440810103234401	440804	1032324	505	02-18-85	--	1	290	--	--	4,300	4,010
2N 6E15BBBD	440820103232601	440820	1032326	372	07-27-92	--	1	317	--	--	4,290	3,973
2N 6E15ADDB	440804103222701	440804	1032226	400	09-15-96	--	1	310	--	--	4,140	3,830
2N 6E15ADAA ¹	440811103222201	440811	1032222	425	12-20-95	--	(²)	² 197	185.3	218.4	4,061	3,864

Table 4. Selected data for wells used in developing potentiometric map for the Madison aquifer—Continued

[--, no data]

USGS local number	Station identification number	Latitude (Degrees, minutes, seconds)	Longitude	Well depth, in feet below land surface	Date of first water-level measurement	Date of last water-level measurement	Number of water-level measurements	Water levels, in feet above (-) land surface			Altitude, in feet above sea level	
								Mean	Highest	Lowest	Land surface	Mean hydraulic head
Pennington County—Continued												
2N 6E15AD	440804103223001	440804	1032230	420	12-18-94	--	1	265	--	--	4,160	3,895
2N 6E15AD	440805103223001	440805	1032230	430	08-21-95	--	1	330	--	--	4,160	3,830
2N 6E14CAC	440758103214301	440750	1032201	540	12-11-81	--	1	346	--	--	4,150	3,804
2N 6E 5BAC	440958103253401	440940	1032535	400	08-01-77	--	1	300	--	--	4,640	4,340
1N 8E 9CAB2	440334103095601	440334	1030956	3,810	12-05-90	--	1	462	--	--	3,108	2,646
1N 7E32DABA	440004103174001	440006	1031742	780	06-23-86	--	1	460	--	--	3,999	3,539
1N 7E31BCAD	440523103194201	440019	1031941	598	02-10-82	--	1	486	--	--	4,260	3,774
1N 7E29DAAC	440054103173801	440054	1031738	1,000	06-10-83	06-30-89	7	440	430.0	456.0	3,900	3,460
1N 7E21BCAB	440205103172001	440205	1031720	--	07-07-82	--	1	471	--	--	3,900	3,429
1N 7E18DADB	440238103185201	440238	1031852	321	09-28-81	--	1	204	--	--	3,620	3,416
1N 7E18CAAB	440245103192501	440245	1031925	280	02-21-96	--	1	90	--	--	3,500	3,410
1N 7E18BDBA	440302103194601	440258	1031931	450	06-20-95	--	1	200	--	--	3,640	3,440
1N 7E18BCC	440248103195001	440248	1031950	32	01-02-90	--	1	15	--	--	3,600	3,585
1N 7E18BAC	440244103191901	440300	1031935	380	09-28-81	--	1	203	--	--	3,620	3,417
1N 7E18ACCC	440247103191701	440247	1031917	150	02-20-96	--	1	106	--	--	3,540	3,434
1N 7E18ACB	440254103191801	440254	1031918	320	10-25-74	--	1	210	--	--	3,630	3,420
1N 7E18AAAD	440308103184601	440308	1031847	200	11-07-96	--	1	-4	-8.0	0.4	3,414	3,418
1N 7E17ABCC	440308103180701	440304	1031807	460	09-28-88	--	1	12	--	--	3,430	3,418
1N 7E16DCDC	440220103164001	440220	1031640	1,280	12-05-91	--	1	63	--	--	3,487	3,424
1N 7E 8DDCD2	440310103173802	440312	1031740	940	05-15-91	--	1	-7	--	--	3,410	3,417
1N 7E 8ADDD2 ¹	440338103173302	440338	1031733	700	11-02-89	--	(²)	2,-45	-56.3	-35.8	3,371	3,416
1N 7E 7ACBD	440337103191801	440345	1031917	380	12-20-95	--	1	220	--	--	3,640	3,420
1N 7E 6BDCD	440441103193301	440441	1031933	930	07-23-98	--	1	646	--	--	4,082	3,436
1N 7E 6BACB	440446103193201	440446	1031932	770	06-23-82	--	1	598	--	--	4,020	3,422

Table 4. Selected data for wells used in developing potentiometric map for the Madison aquifer—Continued

USGS local number	Station identification number	Latitude (Degrees, minutes, seconds)	Longitude	Well depth, in feet below land surface	Date of first water-level measurement	Date of last water-level measurement	Number of water-level measurements	Water levels, in feet above (-) land surface			Altitude, in feet above sea level	
								Mean	Highest	Lowest	Land surface	Mean hydraulic head
Pennington County—Continued												
IN 7E 6ACCC	440432103191401	440432	1031914	770	06-23-82	--	1	535	--	--	3,940	3,405
IN 7E 5BBBC	440453103184001	440453	1031840	560	04-29-78	--	1	380	--	--	3,785	3,405
IN 7E 3CBAA2 ¹	440430103160202	440430	1031602	1,170	10-31-73	--	(²)	² -130	-150.0	-68.8	3,297	3,427
IN 7E 3BBCC ¹	440446103161701	440445	1031619	1,390	11-13-89	--	(²)	² -67	-111.1	5.7	3,314	3,381
IN 7E 1DBBB ¹	440427103131701	440427	1031317	3,280	12-07-90	--	(²)	² 240	231.4	251.0	3,405	3,165
IN 7E 18AACB	440247103192401	440302	1031901	400	05-20-93	--	1	300	--	--	3,720	3,420
IS 2E35ADCA ¹	435517103501801	435517	1035018	380	09-20-96	--	(²)	² 250	245.0	264.7	6,680	6,430
IS 7E 3CDBD ¹	435916103161801	435915	1031621	1,220	08-18-86	--	(²)	² 26	-32.6	62.9	3,521	3,495
IS 7E 5BDCA2	435937103184402	435937	1031844	520	07-15-90	--	1	300	--	--	3,925	3,625
IS 7E 8ABAA	435903103181301	435903	1031813	754	07-03-75	09-11-90	3	506	485.0	532.2	4,100	3,594
IS 7E 8BDBA	435851103184201	435851	1031842	640	03-23-78	--	1	600	--	--	4,180	3,580
IS 7E11ACAB	435851103143501	435848	1031445	1,740	10-31-84	02-06-98	13	-60	-89.5	-21.8	3,466	3,526
IS 7E15CBBB	435746103160601	435743	1031642	820	10-26-77	03-25-82	2	498	495.1	500.0	3,985	3,487
IS 7E20DCAD	435635103181401	435635	1031814	903	05-09-83	--	1	620	--	--	4,120	3,500
IS 7E27BACA	435619103161901	435619	1031619	1,190	05-30-78	10-01-81	2	631	600.0	661.0	4,140	3,509
IS 7E33BDBD	435518103173001	435518	1031730	680	11-04-92	--	1	560	--	--	4,090	3,530
IS 8E19BBBB	435718103130301	435718	1031303	2,600	03-13-84	06-30-89	8	56	31.4	83.8	3,555	3,499
2S 2E 8CDB	435310103543401	435310	1035434	207	06-05-81	--	1	155	--	--	6,120	5,965
2S 7E17CCAA ¹	435227103185301	435227	1031853	540	06-29-95	--	(²)	² 345	329.1	359.0	3,932	3,587
2S 7E20BDC	435143103184401	435143	1031844	624	09-08-78	--	1	400	--	--	3,890	3,490
Custer County												
3S 1E18DDDB ¹	434700104021401	434702	1040216	1,050	09-09-93	--	(²)	² 905	892.6	906.1	4,645	3,740
3S 2E 1ABCD	434842103492001	434919	1034925	200	06-19-80	09-26-95	3	161	142.8	181.6	6,275	6,114
4S 6E 1DAAA ¹	434350103201901	434350	1032019	680	08-06-93	--	(²)	² 176	162.4	190.6	3,860	3,684

Table 4. Selected data for wells used in developing potentiometric map for the Madison aquifer—Continued

[--, no data]

USGS local number	Station identification number	Latitude (Degrees, minutes, seconds)	Longitude	Well depth, in feet below land surface	Date of first water-level measurement	Date of last water-level measurement	Number of water-level measurements	Water levels, in feet above (-) land surface			Altitude, in feet above sea level	
								Mean	Highest	Lowest	Land surface	Mean hydraulic head
Custer County—Continued												
5S 2E28BCCB ¹	433517103534201	433517	1035342	1,080	07-24-95	--	(²)	2533	532.5	535.4	4,258	3,725
6S 5E23DB	433034103284701	433044	1032915	820	06-01-78	--	1	580	--	--	4,230	3,650
6S 5E24BAAA	433114103281601	433114	1032816	780	05-26-78	03-31-95	3	475	464.0	481.2	4,110	3,635
6S 6E15ABDD	433150103230501	433150	1032305	939	08-22-57	03-25-98	38	-67	-90.0	-18.5	3,420	3,487
6S 6E21BBBB ¹	433115103251401	433115	1032516	1,170	10-17-91	--	(²)	25	-4.9	9.3	3,646	3,641
6S 6E28DBB	432954103243801	432954	1032438	1,080	08-10-73	--	1	655	--	--	4,120	3,465
Fall River County												
7S 3E36CBDC	432340103421501	432342	1034251	2,135	05-01-81	--	1	680	--	--	4,200	3,520
7S 4E 4BAC	432825103391201	432831	1033905	883	05-17-93	--	1	700	--	--	4,320	3,620
7S 4E19BCCB ¹	432548103414801	432546	1034151	1,540	09-16-92	--	(²)	2536	528.5	538.6	4,173	3,638
7S 5E 14CCCC ¹	432603103295901	432603	1032959	915	02-28-96	--	(²)	270	68.2	72.2	3,715	3,645
8S 5E16BBAD	432136103321001	432136	1033210	1,140	- - -90	- - -94	2	260	260	260	3,830	3,570
9S 2E 1AAAC2	431810103491001	431810	1034910	2,955	09-26-75	--	1	-219	--	--	3,449	3,668
9S 2E 1AABD2	431808103492001	431808	1034920	2,980	09-19-56	--	1	-198	--	--	3,448	3,646
9S 2E 1ACDB	431753103492601	431753	1034926	2,983	09-19-56	05-29-57	2	-205	-206	-204	3,455	3,660
9S 2E 1BCDC	431750103500301	431750	1035003	--	09-19-56	--	1	-90	--	--	3,571	3,661
10S 2E 3ACDA	431240103453001	431240	1035150	3,855	11-26-43	--	1	-20	--	--	3,655	3,675
10S 2E 3DDA	431220103513501	431220	1035135	3,991	09-19-56	--	1	-20	--	--	3,655	3,675

¹Continuous recording well.

²Numerous measurements available; mean water level computed from daily lowest water levels below land surface.

Table 5. Selected data for wells used in developing potentiometric map for the Deadwood aquifer

[--, no data]

USGS local number	Station identification number	Latitude		Longitude (Degrees, minutes, seconds)	Well depth, in feet below land surface	Date of first water-level measurement	Date of last water-level measurement	Number of water-level measurements	Water levels, in feet below or above (-) land surface			Altitude, in feet above sea level	
		(Degrees, minutes, seconds)	Longitude						Latitude	Mean	Highest	Lowest	Land surface
Lawrence County													
5N 4E27ACDC	442200103370001	442200	1033700	1,410	10-10-89	--	--	1	-182	--	--	4,470	4,652
5N 4E18CDAB	442326103405101	442326	1034051	1,050	07-24-91	--	--	1	51	--	--	4,740	4,689
5N 4E17CAAD	442340103393201	442335	1033937	1,180	07-30-84	--	--	1	130	--	--	4,490	4,360
5N 3E23BB	442306103433401	442306	1034334	76	01-18-82	--	--	1	10	--	--	4,800	4,790
5N 3E21CDD	442225103454401	442225	1034544	130	07-20-82	--	--	1	50	--	--	4,920	4,870
5N 2E32BC	442116103542801	442116	1035428	630	12-14-87	--	--	1	545	--	--	5,780	5,235
5N 2E31BCCD	442114103554201	442114	1035542	68	05-20-86	--	--	1	45	--	--	5,100	5,055
5N 2E15DBC	442333103512101	442333	1035121	400	07-08-86	--	--	1	298	--	--	5,700	5,402
5N 2E15CDC	442322103514901	442322	1035149	400	07-22-86	--	--	1	351	--	--	5,900	5,549
5N 2E14BCA	442353103504301	442353	1035043	496	05-07-88	--	--	1	168	--	--	5,620	5,452
5N 2E12DCD	442413103485601	442413	1034856	70	05-27-80	--	--	1	15	--	--	4,790	4,775
5N 1E36DABD	442102103560101	442102	1035601	99	07-10-76	09-21-81	--	3	46	42.0	56.0	5,040	4,994
5N 1E14CB	442336103580401	442336	1035804	613	11-20-79	--	--	1	306	--	--	5,400	5,094
4N 4E15BC	441828103380001	441828	1033800	100	09-24-77	--	--	1	45	--	--	5,320	5,275
4N 3E34CCCC3	441527103451103	441527	1034511	95	08-28-91	--	--	1	32	--	--	5,960	5,928
4N 3E34CCCC2	441527103451102	441527	1034511	50	05-09-88	--	--	1	25	--	--	5,960	5,935
4N 3E30CAAAA	441646103482001	441643	1034820	135	07-17-77	--	--	1	95	--	--	5,800	5,705
4N 3E30BDD	441648103482001	441648	1034820	110	10-10-78	--	--	1	70	--	--	5,800	5,730
4N 3E30BDBD	441646103482003	441650	1034828	150	06-14-77	--	--	1	110	--	--	5,820	5,710
4N 3E30BDAC	441652103482101	441652	1034821	180	03-09-81	--	--	1	100	--	--	5,810	5,710
4N 3E21DA	441729103452801	441729	1034528	248	06-27-91	--	--	1	28	--	--	5,825	5,797
4N 3E17DCCC	441814103464503	441804	1034701	100	09-28-78	--	--	1	60	--	--	5,600	5,540
4N 3E17CDB	441809103471801	441809	1034718	380	07-19-90	--	--	1	310	--	--	5,840	5,530

Table 5. Selected data for wells used in developing potentiometric map for the Deadwood aquifer—Continued

[--, no data]

USGS local number	Station identification number	Latitude (Degrees, minutes, seconds)	Longitude	Well depth, in feet below land surface	Date of first water-level measurement	Date of last water-level measurement	Number of water-level measurements	Water levels, in feet above (-) land surface			Altitude, in feet above sea level	
								Mean	Highest	Lowest	Land surface	Mean hydraulic head
Lawrence County—Continued												
4N 3E17CCD	441817103473701	441808	1034725	135	07-20-79	--	1	35	--	--	5,770	5,735
4N 3E16CDA	441810103455501	441810	1034555	150	10-23-89	--	1	90	--	--	5,720	5,630
4N 3E 7DCDD	441858103475801	441858	1034758	14.1	04-08-87	--	1	6	--	--	5,792	5,786
4N 3E 7DC	441858103480501	441858	1034805	336	07-03-90	--	1	264	--	--	5,800	5,536
4N 3E 7BACB	441937103483101	441937	1034831	300	12-20-87	--	1	199	--	--	5,777	5,578
4N 3E 7AACB	441938103475701	441938	1034757	40	08-18-73	--	1	15	--	--	5,550	5,535
4N 3E 6DCAC	441952103480501	441952	1034805	245	12-19-87	--	1	131	--	--	5,768	5,637
4N 3E 6CDDDB	441952103482501	441952	1034825	325	12-18-87	--	1	250	--	--	5,841	5,591
4N 3E 6CBD	442000103483902	442000	1034839	235	12-17-87	--	1	212	--	--	5,823	5,611
4N 2E25DCAC	441625103492001	441625	1034920	120	09-07-88	--	1	67	--	--	6,000	5,933
4N 2E24DDDD	441711103485601	441711	1034856	98	01-01-77	--	1	65	--	--	5,920	5,855
4N 2E22BAC	441752103520801	441752	1035208	103	09-09-81	--	1	5	--	--	5,480	5,475
4N 2E20BBAC2 ¹	441757103544602	441757	1035446	780	08-27-97	--	(²)	² 609	608.6	613.0	6,210	5,601
4N 2E 1DDDC	441946103485701	441946	1034857	354	12-19-87	--	1	351	--	--	5,960	5,609
4N 2E 1DDAA	441958103485301	441958	1034853	85	06-01-88	--	1	20	--	--	5,812	5,792
3N 5E 9BDC	441407103313501	441407	1033135	300	06-19-91	--	1	120	--	--	4,980	4,860
3N 5E 9BDD	441423103314401	441423	1033144	80	05-08-85	--	1	50	--	--	5,000	4,950
3N 5E 9BAB	441431103315801	441428	1033139	110	04-20-74	--	1	70	--	--	4,980	4,910
3N 5E 5	441457103323401	441457	1033234	100	09-22-89	--	1	44	--	--	5,160	5,116
3N 5E 3CCA	441441103303301	441441	1033033	85	07-17-90	--	1	40	--	--	4,840	4,800
3N 3E 7DCAD	441410103480201	441410	1034802	154	08-14-84	--	1	88	--	--	6,190	6,102
3N 2E33DBAD ¹	441034103524701	441034	1035247	363	06-28-95	--	(²)	² 260	256.4	264.2	6,490	6,230

Table 5

Table 5. Selected data for wells used in developing potentiometric map for the Deadwood aquifer—Continued

[--, no data]

USGS local number	Station identification number	Latitude (Degrees, minutes, seconds)	Longitude	Well depth, in feet below land surface	Date of first water-level measurement	Date of last water-level measurement	Number of water-level measurements	Water levels, in feet below or above (-) land surface			Altitude, in feet above sea level	
								Mean	Highest	Lowest	Land surface	Mean hydraulic head
Meade County												
4N 5E26AA	441703103282901	441703	1032829	1,000	02-18-91	--	1	124	--	--	3,990	3,866
4N 5E22CDAD	441715103301001	441715	1033008	1,000	02-18-91	--	1	124	--	--	4,520	4,396
3N 7E19CDA	441204103192301	441204	1031923	1,570	06-08-50	--	1	7	--	--	3,670	3,663
2N 6E 1CCC	440925103210201	440920	1032102	950	11-15-91	--	1	370	--	--	4,100	3,730
2N 6E 1CC	440923103205701	440923	1032057	850	11-15-91	--	1	370	--	--	4,060	3,690
Pennington County												
2N 6E35DAAB	440520103211301	440520	1032113	900	12-22-82	--	1	323	--	--	4,105	3,782
2N 6E35CDC	440458103215801	440458	1032158	565	02-22-85	--	1	330	--	--	4,070	3,740
2N 6E35CCC	440458103221401	440458	1032214	502	08-22-85	--	1	300	--	--	4,160	3,860
2N 6E35CBC	440513103221601	440513	1032216	590	06-29-86	--	1	360	--	--	4,225	3,865
2N 6E35CBBC	440520103221501	440515	1032215	602	01-23-92	--	1	380	--	--	4,240	3,860
2N 6E35CBBA	440005103304801	440517	1032212	705	01-10-87	--	1	400	--	--	4,260	3,860
2N 6E35CBB	440519103221401	440519	1032214	602	01-23-92	--	1	380	--	--	4,240	3,860
2N 6E35CAAC	440517103214401	440517	1032144	647	06-14-78	12-22-82	2	245	190.0	300.0	4,120	3,875
2N 6E26BD	440621103215301	440621	1032153	900	01-26-95	--	1	75	--	--	4,180	4,105
2N 6E24CC	440640103205801	440640	1032058	820	12-28-93	--	1	550	--	--	4,310	3,760
2N 6E20BB	440726103254601	440726	1032546	170	12-09-94	--	1	40	--	--	4,460	4,420
2N 6E20BB	440726103254801	440726	1032548	100	04-09-93	--	1	7	--	--	4,440	4,433
2N 6E18CCCA	440738103270001	440738	1032700	200	09-21-83	--	1	65	--	--	4,550	4,485
2N 6E18BBA	440822103265401	440822	1032654	165	08-15-94	--	1	42	--	--	4,440	4,398
2N 6E18B	440812103265001	440812	1032650	260	05-03-93	--	1	18	--	--	4,600	4,582
2N 6E18ADBA	440824103260201	440810	1032607	143	05-31-79	--	1	60	--	--	4,350	4,290
2N 6E18ADAA	440816103261801	440809	1032601	126	08-30-79	--	1	49	--	--	4,340	4,291

Table 5. Selected data for wells used in developing potentiometric map for the Deadwood aquifer—Continued
[—, no data]

USGS local number	Station identification number	Latitude (Degrees, minutes, seconds)	Longitude	Well depth, in feet below land surface	Date of first water-level measurement	Date of last water-level measurement	Number of water-level measurements	Water levels, in feet above (-) land surface			Altitude, in feet above sea level	
								Mean	Highest	Lowest	Land surface	Mean hydraulic head
Pennington County—Continued												
2N 6E18ACAC	440813103262101	440813	1032621	65	04-18-84	--	1	40	--	--	4,320	4,280
2N 6E18ACAB	440858103280101	440810	1032620	102	05-22-89	--	1	23	--	--	4,300	4,277
2N 6E17BDBA	440810103253001	440810	1032530	188	10-10-94	--	1	62	--	--	4,280	4,218
2N 5E 1ABDD	440958103273201	440958	1032732	57	02-16-83	--	1	28	--	--	4,520	4,492
2N 1E27ADAC ¹	440623103583701	440627	1035836	450	09-18-91	--	(²)	² 345	357.0	359.8	6,890	6,545
1N 7E32CADB	435959103181301	435959	1031813	1,170	04-12-78	05-16-78	2	380	360.0	400.0	4,060	3,680
1N 7E32BDBB	440019103181801	440019	1031818	700	08-04-83	--	1	540	--	--	3,990	3,450
1N 7E31DDB	435953103185701	435953	1031857	940	08-23-94	--	1	520	--	--	4,060	3,540
1N 7E31CDC	435945103193301	435945	1031933	940	08-20-94	--	1	400	--	--	4,020	3,620
1N 7E31BCA	440018103194101	440018	1031941	1,160	05-26-95	--	1	628	--	--	4,260	3,632
1N 7E31BAD	440024103192301	440024	1031923	835	01-17-96	--	1	600	--	--	4,280	3,680
1N 7E31BAAB	440032103191201	440032	1031912	805	08-08-83	--	1	531	--	--	3,980	3,449
1N 7E31BAA	440031103192401	440031	1031924	810	03-08-94	--	1	620	--	--	4,200	3,580
1N 7E31ACB	440018103191501	440018	1031915	945	04-19-94	--	1	472	--	--	4,240	3,768
1N 7E31ABDC	440025103190701	440025	1031907	816	06-13-63	04-24-84	3	511	450.0	542.0	4,150	3,639
1N 7E31ABAA	440034103190001	440034	1031900	860	11-01-75	08-03-83	2	413	350.0	476.0	3,990	3,577
1N 7E30CBDD	440049103194401	440049	1031944	910	07-20-83	--	1	553	--	--	4,220	3,667
1N 7E29DBA	440059103175301	440059	1031753	1,430	05-24-90	--	1	245	--	--	3,840	3,595
1N 7E29CDC	440040103181601	440040	1031816	1,040	10-15-80	--	1	300	--	--	3,944	3,644
1N 7E29CADD ¹	440052103181201	440054	1031810	940	06-30-84	--	(²)	² 415	388.6	430.6	3,859	3,444
1N 6E35AADD ¹	440023103211001	440023	1032110	375	07-31-96	--	(²)	² 305	301.0	305.4	4,228	3,923
1N 6E13BADB	440304103203501	440304	1032035	815	06-03-93	--	1	460	--	--	4,040	3,580
1N 6E13BABC	440302103204401	440302	1032044	670	01-22-95	--	1	380	--	--	4,060	3,680

Table 5. Selected data for wells used in developing potentiometric map for the Deadwood aquifer—Continued
[--, no data]

USGS local number	Station identification number	Latitude (Degrees, minutes, seconds)	Longitude	Well depth, in feet below land surface	Date of first water-level measurement	Date of last water-level measurement	Number of water-level measurements	Water levels, in feet below or above (-) land surface			Altitude, in feet above sea level	
								Mean	Highest	Lowest	Land surface	Mean hydraulic head
Pennington County—Continued												
IN 6E13AA	440306103195701	440306	1031957	560	09-23-88	--	1	275	--	--	3,740	3,465
IN 6E12DAC	440339103201101	440327	1032011	800	04-30-80	--	1	510	--	--	3,700	3,190
IN 6E12CC	440319103205801	440319	1032058	680	08-20-94	--	1	380	--	--	4,100	3,720
IN 6E12ADA	440341103200301	440341	1032003	780	03-09-90	--	1	440	--	--	4,000	3,560
IN 6E 2BBB	440454103221201	440454	1032212	500	09-26-85	--	1	300	--	--	4,160	3,860
IN 6E 2BAC	440445103220001	440445	1032200	560	12- -71	--	1	370	--	--	4,160	3,790
IN 6E 2ABBB	440429103214301	440454	1032143	540	12-16-82	--	1	318	--	--	4,060	3,742
1S 7E23BCB	435520103190101	435520	1031901	908	09-24-81	--	1	268	--	--	4,290	4,022
1S 7E21BBCC	435709103175301	435709	1031753	1,340	06-10-79	--	1	600	--	--	4,060	3,460
1S 7E20CACD	435644103183801	435644	1031838	1,030	08-06-79	01-20-83	2	566	551.0	580.0	4,180	3,614
1S 7E19CCAA	435641103195801	435641	1031958	480	03-24-82	--	1	380	--	--	4,370	3,990
1S 7E 9CBBD	435835103175001	435835	1031750	1,110	03-01-76	--	1	420	--	--	4,110	3,690
1S 7E 7CBAB	435838103200901	435838	1032009	--	03-05-79	--	1	290	--	--	4,190	3,900
1S 7E 7ACA	435850103193001	435850	1031930	845	12-30-85	--	1	400	--	--	4,260	3,860
1S 7E 6DBCA2	435941103195005	435924	1031943	700	07-07-94	04-25-96	5	349	326.0	372.0	4,060	3,711
2S 7E18DCBC	435206103194001	435215	1031938	--	02-03-83	01-22-97	2	138	137.0	138.6	4,020	3,882
Custer County												
4S 2E 2ABD	434406103503301	434406	1035033	810	01-04-85	09-22-95	2	384	347.0	420.0	5,400	5,016
4S 2E 2ADB	434402103502301	434402	1035023	700	06-11-63	09-22-95	2	382	374.0	390.0	5,430	5,048
4S 2E 7B	434322103555501	434322	1035555	1,080	08-20-85	--	1	850	--	--	5,110	4,260
5S 5E31BDDA	433423103341301	433423	1033413	33.5	01-29-73	--	1	7	--	--	4,630	4,623

¹Continuous recording well.

²Numerous measurements available; mean water level computed from daily lowest water levels below land surface.

Table 6. Selected data for springs used in developing potentiometric map for the Inyan Kara aquifer

USGS local number	Station identification number	Latitude	Longitude	Altitude, in feet above sea level	Discharge (gallons per minute)	Date of discharge measurement
		(Degrees, minutes, seconds)				
Fall River County						
8S 4E 8BAAC	432226103403001	432226	1034030	4,500	0.53	06-01-95
8S 4E 8BBDB	432228103401201	432228	1034012	4,330	.8	06-01-95

Table 7. Selected data for springs used in developing potentiometric map for Minnekahta aquifer

[--, no data]

USGS local number	Station identification number	Latitude	Longitude	Altitude, in feet above sea level	Discharge (gallons per minute)	Date of discharge measurement
		(Degrees, minutes, seconds)				
Lawrence County						
7N 1E36CDBA	443116103563601	443116	1035636	3,780	5	11-08-95
6N 2E16CCBC	442833103531801	442833	1035318	3,940	--	--
6N 2E15DACC	442812103511500	442812	1035115	3,720	--	--
Pennington County						
1N 7E32AA	440027103173801	440027	1031738	3,963	--	--
Custer County						
5S 3E31ADBA	433431103475001	433431	1034750	4,510	9.87	07-10-95
6S 6E14CDB	433128103223401	433128	1032234	3,470	--	--

Table 8. Selected data for springs used in developing potentiometric map for the Minnelusa aquifer

[--, no data]

USGS local number	Station identification number	Latitude	Longitude	Altitude, in feet above sea level	Discharge (gallons per minute)	Date of discharge measurement
		(Degrees, minutes, seconds)				
Lawrence County						
6N 1E24CCAB	442746103565201	442746	1035652	4,240	10	10-22-81
6N 1E25BCBB	442719103570301	442719	1035703	4,640	30	10-22-81
6N 1E30DAAD	442706104015401	442706	1040154	4,640	.9	08-21-90
5N 1E 4AACB	442545103593901	442545	1035939	5,190	3	10-19-81
5N 1E 3DCDB	442504103583501	442504	1035835	5,155	4	10-19-81
5N 4E 8DDDC	442409103390601	442409	1033906	4,460	--	--
4N 1E 9DBBB	441917104001501	441917	1040015	5,835	3	10-15-81
3N 1E 6AABB	441524104022301	441524	1040223	6,350	0	07-26-90
3N 1E 9ABAC	441427104000501	441427	1040005	6,620	.01	08-15-90
3N 1E 9DCCA	441346104001301	441346	1040013	6,720	1	10-01-81
3N 1E21DACB	441213103595701	441213	1035957	6,585	2	11-27-81
2N 1E 6CDCD	440920104025801	440920	1040258	6,200	2,090	07-18-90
2N 1E 7CDCA	440830104025201	440830	1040252	6,380	9.87	06-10-94
Pennington County						
1N 1E23DCDA	440132103573701	440132	1035737	6,810	13.9	06-12-95
1S 1E14ACCD	435750103574501	435750	1035745	6,415	4.93	06-14-95
1S 1E19CDCC	435632104025901	435632	1040259	6,055	3.59	06-16-95
1S 1E31CDAD	435452104024601	435452	1040246	6,020	8.08	06-16-95
1S 1E 5CCBB	435405104020101	435405	1040201	6,020	13.6	06-16-95
1S 2E30DBAB	435602103552101	435602	1035521	6,430	30.9	06-14-95
2S 1E 2DBBB	435417103575301	435417	1035753	6,110	2.69	06-14-95
2S 1E 2BDAA	435432103575401	435432	1035754	6,090	7.69	06-14-95
2S 1E 3CCAD	435400103592701	435400	1035927	5,960	20.6	06-16-95
2S 1E 8BBCB	435345104020201	435345	1040202	6,010	1.79	06-16-95
Custer County						
2S 1E36BCAB	435008103570601	435008	1035706	5,740	0.01	07-28-95
2S 1E34DBAC	434953103585201	434953	1035852	5,410	1.9	07-25-95
2S 2E31DDAB	434941103550201	434941	1035502	5,770	2.69	07-13-95
3S 2E 6BDDC	434906103553701	434906	1035537	5,680	4.04	06-26-95
3S 2E 4CCBC	434847103534301	434847	1035343	5,890	8.01	06-26-95
3S 2E 9AACC	434827103525001	434827	1035250	6,040	9.86	06-26-95
3S 2E 8DBDD	434800103540501	434800	1035405	5,720	5.17	07-28-95
3S 2E18CCAC	434702103555301	434702	1035553	5,330	6.66	07-13-95
3S 2E28DBB	434533103530401	434533	1035304	5,630	11.6	06-27-95

Table 8. Selected data for springs used in developing potentiometric map for the Minnelusa aquifer—Continued

[-, no data]

USGS local number	Station identification number	Latitude	Longitude	Altitude, in feet above sea level	Discharge (gallons per minute)	Date of discharge measurement
		(Degrees, minutes, seconds)				
Custer County—Continued						
3S 2E27DBCC	434526103515201	434526	1035152	5,840	22.9	06-27-95
4S 2E 5ABDA	434411103540301	434411	1035403	5,280	4.04	08-18-95
4S 3E 6BDCA	434356103483101	434356	1034831	5,440	36.8	06-21-95
4S 2E 2DCBC	434335103504401	434335	1035044	5,400	4.04	10-10-95
4S 3E 7BACB	434319103483301	434319	1034833	5,440	6.5	10-10-95
4S 2E12BAAD	434312103490301	434312	1034903	5,300	11.5	08-18-95
4S 2E12ADCC	434301103490801	434301	1034908	5,240	21.4	08-18-95
5S 3E13DDCB	433635103420601	433635	1034206	4,880	4.04	08-24-95
5S 4E29DDDD	433446103393201	433446	1033932	4,820	1.79	08-24-95
5S 4E35CDCC	433353103364701	433353	1033647	4,620	39.5	05-30-95
5S 4E35DDBC	433611103335801	433611	1033358	4,620	157	05-19-95
6S 5E16CBAA	433142103320801	433142	1033208	4,390	1.79	05-30-95
6S 5E21BCBC	433056103322201	433056	1033222	4,240	17.9	05-30-95
6S 4E26BA	433047103364701	433047	1033647	4,620	15	08-10-87
Fall River County						
7S 5E10DCBA	432703103302801	432703	1033028	3,625	1,000	04-21-94

Table 9. Selected data for springs used in developing potentiometric map for the Madison aquifer

[--, no data]

USGS local number	Station identification number	Latitude	Longitude	Altitude, in feet above sea level	Discharge (gallons per minute)	Date of discharge measurement
		(Degrees, minutes, seconds)				
Lawrence County						
5N 3E14BABC	442404103432601	442404	1034326	4,880	0	08-13-90
5N 1E13DBBD	442337103561501	442337	1035615	5,340	10	10-20-81
4N 3E33BBAB	441615103451701	441615	1034517	6,130	30	08-21-94
4N 3E33ACDB	441553103454301	441553	1034543	6,130	25.6	08-21-94
4N 2E21BBAB	441756103533501	441756	1035335	5,810	20	10-13-81
4N 2E 3BB	442034103522201	442034	1035222	6,080	--	--
4N 1E35CDAB	441534103575901	441534	1035759	6,390	2.5	10-13-81
4N 1E26BCDB	441647103581801	441647	1035818	6,360	0	08-14-90
4N 1E 9DACA	441855103594701	441910	1035950	5,765	1,230	08-23-90
4N 1E 3DD	441949103583201	441949	1035832	5,480	--	--
3N 3E 6DDAD	441440103474701	441440	1034747	6,220	7.7	07-24-90
3N 3E 5AABD	441518103464001	441518	1034640	6,120	63.3	08-21-94
3N 3E 4BBBA	441524103462101	441524	1034621	6,120	33.7	08-21-94
3N 3E 4BAAC	441521103455201	441521	1034552	6,130	30	08-21-94
3N 2E34BBAD	441058103521401	441058	1035214	6,510	.9	07-05-94
3N 2E19CDAC	441201103553201	441201	1035532	6,220	.2	10-01-81
3N 2E17BDCC	441315103543301	441315	1035433	6,155	4	10-01-81
3N 2E15ABAB	441337103514401	441337	1035144	6,155	120	11-03-81
3N 2E12BBAA	441430103495001	441430	1034950	6,060	120	11-03-81
3N 2E 6CCCD	441434103560001	441434	1035600	5,880	3,780	12-09-81
3N 1E24ADCD	441223103561501	441223	1035615	6,240	.1	08-02-90
3N 1E12DACD	441358103561401	441358	1035614	6,050	.01	07-26-90
3N 1E 2BACC	441512103580501	441512	1035805	6,380	0	08-14-90
2N 2E 4DDBA	440933103524101	440933	1035241	6,180	941	07-16-90
2N 2E 4DACC	440935103524601	440935	1035246	6,180	304	07-16-90
2N 2E 4DACB	440943103524701	440943	1035247	6,180	31	07-16-90
Pennington County						
2N 2E17DCBD	440740103540901	440740	1035409	6,530	30.9	06-13-95
2N 2E14CCDD	440734103510401	440734	1035104	6,370	15	07-12-95
2N 1E22ABDC	440722103585001	440722	1035850	6,730	5.08	08-22-95
2N 1E20AADC	440721104005901	440721	1040059	6,620	.45	08-14-95
2N 1E16BBBD	440820104004000	440820	1040040	6,480	0	08-22-95
1N 7E18CBAA	440243103193701	440243	1031937	3,470	673	10-13-95
1N 1E 8ABBB	440402104012601	440402	1040126	6,340	178	08-14-95

Table 9. Selected data for springs used in developing potentiometric map for the Madison aquifer—Continued

[--, no data]

USGS local number	Station identification number	Latitude	Longitude	Altitude, in feet above sea level	Discharge (gallons per minute)	Date of discharge measurement
		(Degrees, minutes, seconds)				
Pennington County—Continued						
1N 1E 5CCA	440415104014000	440415	1040140	6,415	--	--
1S 2E23DBAA	435653103502801	435653	1035028	6,350	696	07-17-95
2S 3E 8ABBC	435347103470701	435347	1034707	6,610	281	08-01-95
Custer County						
3S 2E35ABDD	434458103503001	434458	1035030	5,380	30	06-02-95
3S 3E 8ACDC	434813103470001	434813	1034700	6,190	195	08-23-95
Fall River County						
6S 6E14CDB	433128103223401	433128	1032234	3,470	3,950	10-03-94
7S 5E10DCBA	432703103302801	432703	1033028	3,625	1,000	04-21-94
8S 5E20DBCBC	432006103330501	432006	1033305	3,450	8,550	01-19-79

Table 10. Selected data for springs used in developing potentiometric map for the Deadwood aquifer

[--, no data]

USGS local number	Station identification number	Latitude	Longitude	Altitude, in feet above sea level	Discharge (gallons per minute)	Date of discharge measurement
		(Degrees, minutes, seconds)				
Lawrence County						
5N 3E22AADC	442304103435401	442304	1034354	4,760	--	--
4N 2E 9CCAA	441904103532601	441904	1035326	5,180	--	--
4N 2E 9CDCD	441854103531801	441854	1035318	5,240	--	--
4N 4E25BBDC	441656103352701	441656	1033527	5,150	0	07-23-90
4N 3E31BDAA	441627103481801	441627	1034818	5,880	--	--
4N 2E25DC2	441624103462401	441624	1034624	5,980	--	--
3N 5E 4BACC	441512103313901	441512	1033139	4,860	168	07-23-90
3N 3E 4BBAC	441518103461701	441518	1034617	6,060	--	--
3N 5E16BDAA	441323103312301	441323	1033123	4,850	0	07-23-90
3N 3E14CBBB	441310103435901	441310	1034359	6,120	39.5	08-06-90
2N 2E10DBDD	440840103513801	440840	1035138	6,075	0	07-25-90
Pennington County						
1S 2E23ADDA	435702103501201	435702	1035012	6,380	30	04-27-95