

AD

TECHNICAL REPORT

75-45-AMEL

**DATA RETRIEVAL AND PROCESSING SYSTEM
A USER'S GUIDE**

by

J.P. Ahladas

Hamilton Standard

Division of United Aircraft

Contract No. DA-19-129-AMC-603 (N)

January 1975

**Approved for public release;
distribution unlimited.**

**UNITED STATES ARMY
NATICK LABORATORIES
Natick, Massachusetts 01760**



Aero-Mechanical Engineering Lab

Citation of trade names in this report does not constitute an official endorsement or approval of the use of such items.

Destroy this report when no longer needed. Do not return it to originator.

UNCLASSIFIED

SECURITY CLASSIFICATION OF THIS PAGE (When Data Entered)

REPORT DOCUMENTATION PAGE		READ INSTRUCTIONS BEFORE COMPLETING FORM
1. REPORT NUMBER 75-45-AMEL	2. GOVT ACCESSION NO.	3. RECIPIENT'S CATALOG NUMBER
4. TITLE (and Subtitle) Data Retrieval and Processing System - A User's Guide		5. TYPE OF REPORT & PERIOD COVERED Final
		6. PERFORMING ORG. REPORT NUMBER
7. AUTHOR(s) J. P. Ahladas		8. CONTRACT OR GRANT NUMBER(s) DA-19-129-AMC-603(N)
9. PERFORMING ORGANIZATION NAME AND ADDRESS Hamilton Standard Division of United Aircraft Windsor Locks, Connecticut		10. PROGRAM ELEMENT, PROJECT, TASK AREA & WORK UNIT NUMBERS 1J662708D552
11. CONTROLLING OFFICE NAME AND ADDRESS US Army Natick Laboratories Natick, Mass. 01760		12. REPORT DATE January 1975
		13. NUMBER OF PAGES 42
14. MONITORING AGENCY NAME & ADDRESS (if different from Controlling Office)		15. SECURITY CLASS. (of this report) UNCLASSIFIED
		15a. DECLASSIFICATION/DOWNGRADING SCHEDULE
16. DISTRIBUTION STATEMENT (of this Report) Approved for public release; distribution unlimited.		
17. DISTRIBUTION STATEMENT (of the abstract entered in Block 20, if different from Report)		
18. SUPPLEMENTARY NOTES		
19. KEY WORDS (Continue on reverse side if necessary and identify by block number) Data Retrieval Transportation Environment		
20. ABSTRACT (Continue on reverse side if necessary and identify by block number) This report defines the design of a specialized data retrieval system for logging analog data recorded on magnetic tape. It contains a description of the system, system interconnections, a list of equipment, and calibration and service procedures.		

FOREWORD

The original work that resulted in the Data Retrieval and Processing System was conducted by the Hamilton Standard Division of United Aircraft under Contract No. DA-19-129-AMC-603(N), Project No. 1K643324D587. Project Officer and Alternate Project Officer for the U. S. Army Natick Laboratories were Mr. Matthew Venetos and Mr. Denis O'Sullivan, both formerly of the Engineering Sciences Division of the General Equipment and Packaging Laboratory.

Subsequent investigations and refinements, funded under Project No. 1J662708D552, were conducted by Mr. Clive Nickerson, Principal Investigator, formerly of the Engineering Sciences Division of the General Equipment and Packaging Laboratory.

TABLE OF CONTENTS

	<u>Page No.</u>
Introduction	1
General Description	1
Specifications	2
Theory of Operation	3
A. Polarity Sense and Gate Generation	3
B. Initial System Reset	3
C. Print Cycle	4
Description of Equipment	6
Description of Plug-In Modules	6
Control Panel 11-1-2518	6
Peak Memory Driver 11-1-2508	7
Peak Memories 11-1-2515	7
Zero Crossing Detectors 11-1-2510	8
Output Amplifier 11-1-2512	9
Multiplex Switch 11-1-2517	10
Peak Memory Switch Driver 11-1-2514	10
Arbitrary Function Circuit 11-1-2511	11
Summing Amplifier 11-1-2509	12
Column Gate Driver 11-1-2507	12
Calibration Procedure	12
Operating Instructions	14
Trouble Shooting	14
Data Recording and Playback	15
List of Plug-In Modules for Programmer	17
List of Drawings and Manuals	18
Appendix - Electrical Schematics	19

DATA RETRIEVAL AND PROCESSING SYSTEM

A USER'S GUIDE

INTRODUCTION

This system is intended to reproduce data acquired by magnetic tape recorders installed in shipping containers. The parameters recorded are impact velocity, temperature, humidity, static force and dynamic load as a function of time.

Data is recorded in form of pulses whose amplitude and polarity is proportional to the parameter being measured.

Recordings are made with the tape in stationary position. The tape moves 1.6mm between data pulses.

Impact height is computed by the system from the three axis impact height components.

This data retrieval system accepts four parallel data channels which are recorded on magnetic tape. Three of these contain analog data and the fourth channel contains timing information. Each analog data point consists of either a positive leading and a negative lagging or a negative leading and a positive lagging pulse in which the peak magnitude is proportional to some physical quantity. The amplitude and polarity of the leading data pulse is recognized, measured and recorded by the system. A fourth analog data channel is generated in the system by combining the height vectors from the three height channels. At least one of the four input channels from the tape must contain information before the system will generate a read command. An uncertainty of pulse polarity and amplitude exists when first starting the system. Therefore, the first data point into the system from the tape after start-up is used to reset the system to its "ready" state and consequently is not recorded.

GENERAL DESCRIPTION

The system consists of a control panel, a tape playback unit, a programmer, an analog-to-digital converter, a high-speed electro-optical printer and power supply racks.

With the exception of the programmer and the control panel, all equipment was commercially available.

The programmer serves to interface and control the various equipment. Some special circuitry used in this unit for signal conditioning and control are built on plug-in boards similar to the purchased logic plug-in boards.

SPECIFICATIONS

1. Input voltage range to programmer $\pm .0137$ to $\pm 2V$.
2. Tape playback speed 1-7/8 IPS (4.75cm/sec).
3. Logging Rate - 30 Lines/Sec./150 data channels/Sec. nominal - 100 Lines/Sec. maximum.
4. System accuracy $\pm 1\%$ FS (excluding tape playback equipment).
5. Linearity $\pm .1\%$ FS best straight line.
6. Stability $.05\%$ /Day constant temp.
 $.01\%$ / $^{\circ}C$
7. Input power 105-135V, 10A at 60 HZ.
8. Number of input channels: 3 data channels plus time channel. A fourth data channel is generated internally by combining drop height vectors from the 3 input data channels.

In order that tape drop-out errors be reduced to a minimum, a high quality instrumentation tape should be used for recording the data.

THEORY OF OPERATION

For the discussion that follows refer to the system logical schematic 11-1-2505 and the timing diagram 11-1-2506 available in appendix.

A. POLARITY SENSE AND GATE GENERATION

Let it be assumed that the system is in the reset state, that a data point from channel 1 is entering into PB1A1 and that its leading pulse is positive. The pulse is amplified by the peak memory driver PB1A1 and applied simultaneously to the peak memories and the polarity sense zero crossing detectors. Operational trigger PB3A2 is biased to saturation by a negative bias potential, PB3A1 is biased to saturation by a positive bias. The positive incoming pulse will overcome the negative bias on PB3A2 and PB3A2 will switch states causing one shot PB24SS2 to generate a 5 microsecond pulse. This pulse is used for setting the positive peak memory store flip-flop, reset the system if this is the first data pulse entering the system after start-up, or initiate a print command through PB3OSS2.

The positive pulse that triggered PB24SS2 is also applied to PB3A1, but since this operational trigger is already saturated by a positive forward bias it will have no effect on the output of this operational trigger.

The 5 microsecond pulse from PB24SS2 is applied simultaneously to PB27NAND2 and PB32ACOR1-4. Input 9 of PB27NAND2 is forward biased by PB23FF1. The incoming pulse to pin 8 of PB27NAND2 will pass through PB27NAND2; PB23FF2 will be set and the positive peak memory will be unclamped which allows the storage capacitors in the memory to charge the peak amplitude of the positive incoming pulse. A short time later the negative pulse of the data will trigger PB3A1 by overcoming its positive bias, PB3A1 will switch states and generate a 5 microsecond pulse via PB24SS1. This pulse, however, is ignored since PB27NAND1 is inhibited by PB23FF2 being in the set state. For a negative initial pulse PB23FF1 would be set first and would inhibit PB27NAND-2 and the positive peak memory.

B. INITIAL SYSTEM RESET

The system becomes operational when SW3 is actuated. SW3B opens to forward bias PB20NAND5 to permit control gates to initiate printing action, and SW3A closes to discharge C1. When C1 discharges, a pulse is generated that resets PB26FF3 and triggers PB51SS3 to generate a 15 microsecond reset pulse that is applied to all flip-flops and the printer. This pulse closes the peak memory clear gates and resets them to zero. It resets the sequencing flip-flops in the multiplexer so that switch Ch1 is closed and it resets the printer to column number 1. The first pulse from PB32ACOR1-4 will set PB26FF3 and trigger PB3OSS2. In setting, PB26FF3 will trigger PB3OSS1. A 10 millisecond pulse

is applied to pin 6 of PB20NAND5 from PB30SS1, via PB31IA1. The 10 millisecond pulse inhibits PB20NAND5; hence the first initial print command is inhibited. The lagging edge of the 10 millisecond pulse triggers PB51SS3 to generate a reset pulse for resetting the peak memories that may have been charged up by the first data pulse.

C. PRINT CYCLE

Subsequent pulses coming from PB32ACOR1-4 will not affect PB26FF3, but these pulses will trigger 2 millisecond time delay PB30SS2. The function of this time delay is twofold. First, it gives sufficient delay for the counter to register the timing pulse and second, it gives the peak memory sufficient time to charge to the peak value in the event of tape head misalignment.

At the end of the two-millisecond delay PB30SS3 is triggered and generates a 5 microsecond pulse which resets and sets PB26FF4. In setting, PB26FF4 triggers PB51SS2 via PB45DCOR5, PB31IA3 and PB51SS1. The output of PB51SS2 is the print command to the printer. Upon receipt of the initial print command, the printer prints column No. 1 which is the thousands digit for the time. It is obvious that more than one pulse can come from PB32ACOR1-4 in any given print cycle. But only the first pulse initiates the print cycle because once PB26FF4 sets, additional pulses to its set input have no effect on its state.

When the printer is reset, it moves to column No. 1, PB33AND1 is activated, and it in turn activates gates PB46AND5 through PB46AND8 to couple the binary bits of the thousand digits on the time counter to the printer via DCOR gates PB42DCOR2 through PB45DCOR2. After printing the thousand digits in column No. 1, the printer will move to column No. 2; in doing so PB33AND1 will be inhibited and PB33AND2 will be activated. Gates PB46AND5 through 8 will be inhibited and gates PB46AND1 through 4 will be activated and binary information of the 100 units of the time counter is coupled to the printer. On activation, PB33AND2 will also trigger 10 microsecond delay PB51SS1; after 10 microseconds PB51SS2 is triggered which in turn generates a print command, so that binary information on column No. 2 is printed. The 10 microsecond delay of the print command is necessary to allow binary information coupled to the printer to reach steady state. Upon printing of column No. 2, columns No. 3 and 4 (10's and units) will be printed in similar manner. After column No. 4 has been printed, PB33AND4 is inhibited, and PB34AND1 is activated. A digitize command is now applied to the ADC converter through PB45DCOR. Upon receipt of this command, the ADC will digitize the data of channel No. 1. After completion of the digitization cycle, the ADC delivers a "space" command to the printer. The printer leaves a blank on column 5 and moves to column 6. Gate PB34AND2 will now be activated which in turn will activate gates PB45AND1 through 4 to couple to the printer binary information representing polarity sign of the first channel. The 10 microsecond print command delay is also

triggered so that at the end of 10 microseconds the printer will print either a blank indicating a positive quantity or a minus sign for a negative quantity on channel No. 1. At the same instant the sign polarity gates PB40AND1 are activated, PB19FF1 is pulsed causing the sequencing flip-flops to open channel 1, the system will proceed to print the 100's, 10's and units on the ADC in a similar manner as for the time counter. On columns No. 10, 15 and 20, the ADC will receive a command to digitize and on columns 11 and 16 the sequencer will receive a command to step to channels 3 and 4 respectively.

If height data is not required, SW2 is set to the four channel mode. When the printer reaches column No. 20, the output of PB38AND4 is coupled to the reset line through PB42DCOR5, PB31IA2, and PB57DR2. The system now is reset; that is, the peak memories are discharged (set to zero); the multiplexer is set to channel 1; PB26FF4 sets to await the next initial print command, and the printer resets to a new line and column No. 1.

When height computation data is required, the system will print 5 channels of information, and system reset will occur when the printer reaches column 24.

The column decoder gates, PB33AND1 through PB39AND4, provide a digital feedback loop with positive control on the entire system. The entire system is reset for each line of recorded data and cannot remain out of synchronization for more than one line of printout.

DESCRIPTION OF EQUIPMENT

The Monroe MC400N optical printer is capable of printing up to 100 lines per second. It accepts four parallel bit characters serially with -12 volt true logic and 0V false logic. Printing is done on Kodak Linagraph Direct Print oscillograph paper, type 1855, Spec. 111.

The analog-to-digital convertor (ADC) is a Beckman Model 4040A which accepts 10 volts full scale input with a 1.33K per volt input impedance and has an 8-4-2-1 binary coded three-digit decimal output (13 binary digits including the sign). The output of this unit is also -12 volt true and 0 volt false. The maximum time per conversion is 51 microseconds.

Temperature and humidity plotter outputs are provided for graphically recording the history of a package over the time of shipment or storage. A Honeywell Electro Instruments Model 400 plotter is used with vertical differential amplifier (maximum sensitivity: 1 mv/inch) and time base (0.02 to 2 inches/sec.) plug-ins. Response of this unit is 3 db down at 5 Hz. Plots are made on 11 x 17 inch graph paper.

A description of the programmer and its function for system control and interfacing of equipment is given in the "Theory of Operation" section. For more detailed information on the other units, the manufacturers' manuals should be consulted.

DESCRIPTION OF PLUG-IN MODULES

A description and function of the analog modules and multiplex switch is given in this manual. Plug-in digital modules are described in the manufacturer's module manual which should be referenced whenever information is required on the digital modules. These modules are generally of the DTL type, using discrete components and -12 volt true and 0 volt false logic levels.

CONTROL PANEL - 11-1-2518

As the name implies, this unit provides the necessary controls for turning the power on and off, selecting the mode of operation, starting and stopping the system, and selecting the desired channel for monitoring on the scope.

On depressing the log/standby switch for the logging operation, the unit first starts the tape transport. After full speed is reached by the tape transport the unit resets the system and activates NAND gate PB20NAND5 in the programmer to allow logging operation. On setting the system on "standby", the print control gates are first deactivated, then the tape transport is turned off. This procedure avoids erroneous print-outs of data.

Control of the system is accomplished as follows:

When SW1 is pressed to the "log" position, C1 charges through SW1A CR1 and R2 and K1 energizes. SW1C closes and the contacts of K1 open to turn on the tape transport. C2 also charges, but at much lower rate, through R1 and CR2. After about one second delay, the voltage across C2 overcomes the zener voltage of CR3, and K2 is energized. K2 energizes mercury relay K3. When K3 is energized, pin No. 5 swings to -12V to activate the print control gate PB2ONAND5 in the programmer. Pin No. 3 is shorted to ground. C3 delivers a positive pulse to the programmer for resetting the system.

When SW1 is set to the standby position, K3 de-energizes. PB2ONAND5 in the programmer is inhibited, thus preventing initial print commands from reaching the printer. The charge on C1 prevents K1 from de-energizing until a few milliseconds later. This guarantees that the tape transport is always at full speed while the system performs the logging operation. Mode control is accomplished through SW2A and SW2B by connecting the reset gate to the proper column on the column decoder gate. Deck SW2C switches the correct scaling factor the output amplifier, thus minimizing calibration time when switching tapes.

The lines of SW4 terminate to the output of the tape preamplifier. The arms of SW4 terminate to the oscilloscope, thus permitting channel monitoring.

SW3 is the time override switch. If it is necessary to stop the logger and restart it on the same tape, SW3 is set to "off" position. This will prevent the time counter from resetting to zero when restarting the logger.

PEAK MEMORY DRIVER - 11-1-2508

This unit amplifies the incoming signal and has enough drive capability to rapidly charge the peak memories without overloading. It also drives the zero crossing detectors.

It consists of an operational differential amplifier A1 whose gain is fixed by R1 and R2. The gain of this amplifier is equal to $(R1 + R2)/R1$. A 1.5-volt signal to the input will give a full scale reading on any scale. The three boards this unit drives must be D.C. isolated from each other. Capacitors C1 to C3 are used to provide this isolation.

PEAK MEMORIES - 11-1-2515

This circuit is used for storing the data pulse amplitude until logging is completed.

The peak memories consist of rectifier diodes for polarity sensing, integrated chopper for clamping and an operational voltage follower. The rectifiers CR5 and CR6 are forward biased with approximately 0.4VDC to

overcome the diodes forward barrier voltage. This bias is obtained from the 15 \pm volt supplies and is developed across CR2 and CR4. The change in the voltage drop across CR2 and CR4 with temperature, temperature compensates the rectifiers.

Assuming a positive leading data pulse, the bases of Q1 and Q3 will be driven positive. This will cut off Q1 and Q3 and allow the peak memory capacitors C1 and C2 to charge to the peak value of the incoming pulse. One half of the amplitude is applied to the operational voltage follower. The output of this unit is the data signal applied to the ADC via the output amplifier.

For a negative leading data pulse, the negative switches Q2 and Q4 open to allow C3 and C4 to charge.

At the end of the logging cycle the bases of Q1 and Q3 are driven positive. Q1 and Q3 conduct to discharge the peak memory capacitors C1 and C2. The function of Q3 and Q4 is to prevent the operational followers A1 and A2 from drifting due to leakage currents that can flow into C1 and C3 from A1 and A2 respectively.

Resistors R6, R7, R11 and R15 serve to limit the discharge currents from the peak memory capacitors into the integrated choppers. R5 and R14 limit the charging current that can flow from the peak memory driver.

The peak memories are capacitively coupled to the peak memory driver. The coupling capacitors accumulate a small charge during the leading data pulse. R1 CR1 and R9 CR3 act to remove this charge during the lagging data pulse period.

The peak memory is adjusted for zero output with zero input as follows:

Apply power and let stand 1/2 hour. Remove the tape that may be on the tape deck and depress the "Log" switch. Adjust R8 and R16 for zero output at TP1 and TP2.

ZERO CROSSING DETECTORS - 11-1-2510

These units sense the polarity of the incoming pulse and perform a switching function when the incoming pulse exceeds 0.137 volts. The output pulse from these units is used for opening the peak memories and to initiate a readout cycle.

Each unit consists of two high-speed, high-gain differential amplifiers in a positive feedback loop. The output of these amplifiers switches rapidly from plus to minus or from minus to plus when the input exceeds a certain threshold.

The threshold voltages of 0.137 volts are obtained from the ±15 V supplies and voltage dividers R1, R2, R3 and R4.

A1 is biased with 0.137 V from the junction of R1 and R2. Positive feedback is applied to this unit from the junction of R10 and R11. With zero input to pin No. 8, the output of A1 is at the -11 to -14 volt level. When a negative input voltage to pin No. 8 exceeds the positive threshold voltage of 0.137 by about 10 MV, the output of A1 switches from minus to plus 11 to 14 volts.

A2 is biased with a negative bias of 0.137 V. Its output with zero input is +11 to +14 V. When the input to pin 8 is greater than 0.137 volts, A2 switches from plus to minus 11 to 14 V. An inverter consisting of Q1, CR5, R16, R17 and R15 follows A2. It is necessary to invert the pulse from A2 since the logical circuitry following these units responds to positive going pulses.

CR1 through CR4 prevent damage to the amplifier through excessive input voltages.

This unit is initially adjusted as follows:

With power applied, the plus and minus inputs of each amplifier are shorted to the common. R9 and R8 are then adjusted until the output of each amplifier is zero, as measured at TP1 and TP2.

OUTPUT AMPLIFIER - 11-1-2512

This unit combines the negative or positive data input from the peak memories and provides the necessary scaling of voltages for readout in engineering units by the ADC.

The input data voltage is divided by R1, R2 and R4 and is reamplified by A1 to the proper level. The correct scale factor is selected by energizing one of the three relays. This connects the feedback resistors around the amplifier for proper scaling.

The gain of the amplifier at either input while the other is shorted is given by

$$A = \left(\frac{R5 + Rf}{R5} \right) \left(\frac{R4}{R_{in} + R4} \right)$$

Where Rf is the feedback resistance, R6 + R7, for example. When K2 is energized, the amplifier is scaled to read temperature in degrees F.

With zero input the amplifier output is -.5 V representing -50°F. The transfer function of the amplifier under the "temperature" mode is given by

$$E_o = .25 (E_i - 2.0)$$

The 2.0 V offset is provided by the R12 - R13 divider. Negative tem-

peratures from -50°F through -1°F will print out 950 through 999. Subtract print-out from 1,000 to determine the correct value in this range.

These units are initially adjusted as follows: Pins 8 and 10 are shorted to common. R3 is then adjusted for zero output on pin 16.

An adjustable zero offset is provided in the drop height playback mode to compensate for any apparent negative offset caused by the non-linearity on the lower part of the drop height-playback voltage.

Adjustment procedure is as follows:

1. Graphical determination of intercept of drop height-playback voltage curve by extension of linear portion of the curve through the zero drop height line.
2. Computation of equivalent print-out from the intercept value. $\text{Print-out} = 320 \times \text{Intercept (volts)}$.
3. Setting of the extra potentiometer (mounted on an operational amplifier) on PB9 so that with zero input into PB4, PB9 and PB14, the print-out in channels 1, 2 and 3 agrees with the determined print-out.

For calibration of these units refer to the calibration procedure.

MULTIPLEX SWITCH - 11-1-2517

This unit sequentially connects the four data channels to the ADC for digitalization.

The inputs from the sequence NAND gates are fed to the integrated chopper bases. The logical connection to the sequence NAND gates are such that only one integrated chopper is forward biased at any one time. When the system is in reset state, Q1 is forward biased with the remaining integrated choppers off.

The conducting chopper has an "on" resistance of about 10 ohms with a typical offset voltage between E1 and E2 of less than 5 MV. The "off" resistance of these units is greater than 500 megohms.

PEAK MEMORY SWITCH DRIVER - 11-1-2514

This circuit converts the memory set flip-flop voltage levels to those required for driving the integrated chopper clamp.

When Q1 and Q2 are off, their collector voltage swings to the +24 V supply, opening the integrated choppers in the peak memory.

The drivers are cut off when the input to the bases is between -9 to -12. They become saturated when the input to their bases is

at ground potential. When the drivers are driven to saturation, their collectors swing toward -9 V DC. This forward biases the integrated choppers in the peak memories and prevents the memory capacitors from charging.

Three similar units are built on a single plug-in board.

ARBITRARY FUNCTION CIRCUIT - 11-1-2511

This circuit has an adjustable transfer characteristic consisting of eleven straight-line segments whose slopes are set by potentiometric screwdriver adjustments on a Philbrick/Nexus SPFX-P arbitrary function transconductor module. The initial slope is fixed at 45° by a 20K resistor across pins 9 and 10 of the SPFX-P module. A differential subtractor amplifier (PBX01) is used to allow arbitrary conditioning of both positive and negative outputs of memory, and an additional inverting amplifier (PBX02) follows the module to allow both positive and negative changes in slope.

These features are incorporated into the read-out unit to allow compensation for non-linear playback behavior. Setting of the arbitrary function so that it is the inverse of the input function serves to linearize the overall characteristic.

The initial slope interval is between 0.0 and +0.5 volts input. Subsequent segments are in 1-volt input increments up to 9.5 volts. The final segment is from +9.5 volt to +10 volt input. The largest incremental slope change allowed is 0.4V/V.

The procedure for use of this circuit follows:

1. Draw the inverse of the function to be fitted.
2. Determine the incremental slope changes necessary to obtain the inverse.
3. Using the test card in place of the peak memory board in the channel to be adjusted, feed in a low frequency sine wave of 8 volts peak amplitude into the memory No. 1 terminal while grounding memory No. 2 terminal on test card.
4. Monitor input (sine wave) and output of arbitrary function circuit at test point on PB5, PB10 or PB15 using an X-Y oscilloscope display.
5. Adjust SPFX-P module by setting potentiometers 1 through 8 in order, so that the incremental slopes on the X-Y display agree with those determined for the function inverse.

SUMMING AMPLIFIER - 11-1-2509

This unit sums and scales height inputs. It performs the mathematical operation of

$$V_o = A (V_{11} + V_{22} + V_{33})$$

Where V_{11} , V_{22} and V_{33} are the voltages from the arbitrary function circuits, the output of this amplifier is then analog to

$$h = \frac{V_1^2 + V_2^2 + V_3^2}{2g} = h_x + h_y + h_z$$

The gain of this stage is given by

$$A = \frac{R_6 + R_7 + R_4}{R_4}$$

This unit is initially adjusted as follows: Pins 8, 9 and 10 are shorted to the common, and R_5 is adjusted for zero output at TPL. When shorting pins 8, 9 and 10 to common, be sure the arbitrary function circuits are removed or disconnected from these pins.

COLUMN GATE DRIVER - 11-1-2507

This circuit is used to increase the driving capability of the printer column decoder lines.

The driver is a Darlington, complementary push-pull emitter follower capable of driving 90 AND gates. CR1 and CR2 provide a slight forward bias to the drivers, Q2 and Q3, to increase the unit's speed of response. In the event the drop across the biasing diodes is high compared to the forward base drop of Q1 and Q2, R4 limits the collector current of Q1 and Q2 from becoming high while the driver is in its quiescent state. R1 limits the power dissipation and collector current of Q2. The voltage gain of this circuit is between 0.85 and 0.95 with 0 to -10 V at the base of Q1 and a 120 ohm load at the output.

CALIBRATION PROCEDURE

After a half-hour warmup period the read-out unit should be calibrated according to the following procedure:

1. Zero amplifiers in the following sequence with the inputs to channels 1, 2 and 3 all shorted to ground.

- a. Input amplifiers (PB1, PB6, PB11)
- b. Memories (PB2, PB7, PB12)
- c. PBX01 outputs (use test card)
- d. PBX02 outputs (use test card)
- e. Arbitrary function output (PB5, PB10, PB15)
- f. Output amplifiers (PB4, PB9, PB14) (Set to load mode and use test card.)
- g. Summing amplifier (PB16) (Set to load mode.)

2. Check and adjust the arbitrary functions using a sine wave input into the test card for linear transfer characteristics or adjust to the desired non-linear characteristics.

3. Check and adjust the offset for zero in the drop height mode or adjust to desired offset.

4. Set the mode switch to drop height and feed in a 1.5 volt, 400 microsecond, 30pps pulse train into channel number 1 while other channels are shorted.

5. Adjust the output amplifier (PB4) drop height potentiometer and the summing amplifier (PB16) potentiometer for print-outs of 480.

6. Repeat 1. through 5. for channel 2 (PB9) and channel 3 (PB14).

7. Switch to the temperature/humidity mode.

8. Feed the above signal into channel 1 and adjust the output amplifier (PB4) temperature potentiometer for print-out of 150.

9. Feed into channel 2 and adjust for a print-out of 100.

10. Feed into channel 3 and adjust for a print-out of 600.

Before each use of the read-out unit to retrieve drop height or temperature/humidity static load information, the playback tape deck output amplifiers should be adjusted to yield 1.5 volts out for the following recorded information that is applicable:

Drop Height	48 inches (122cm)
Temperature	150°F (65.6°C)
Humidity	100%
Static Load	6,000 pounds (2,718 Kg)

OPERATING INSTRUCTIONS

1. Turn on power on all equipment and allow 1/2-hour warmup on standby mode.
2. Place data tape on tape deck.
3. Place all tape deck push button controls on their "off" position.
4. Select the mode of operation to correspond to the data tape with the mode selector switch on the control panel.
5. Depress the standby-log switch to the log position for commencing the logging operation.
6. The system will automatically cease logging when the tape reel is finished.
7. To stop the logging cycle, depress the standby-log switch to the standby position.

TROUBLE SHOOTING

Trouble shooting time can be shortened considerably if it is well understood how the system functions. Therefore, the system description and logical schematic should be carefully studied. Once the system is well understood, "effect-to-cause" reasoning and through waveform observation at various test points provided should quickly locate the defect.

The first steps in trouble shooting should be to check all power supply outputs. In many cases, a readjustment of power supply settings will correct the malfunction.

Because semiconductors are used exclusively, resistance measurements on a normal or defective circuit can exhibit a wide range of deviations, depending on the ohmmeter used, polarity connections, and the ambient temperature. Resistance measurements are not recommended. A good oscilloscope with 2 or more simultaneous traces is the most effective service tool for localizing the trouble.

The defective circuit or unit can be easily traced by referring to the timing waveform diagram drawing 11-1-2506 and 11-1-2516.

When trouble is located in one of the commercial units, the manufacturer's manual for that particular unit should be consulted.

It is recommended that the circuit used for calibrating the system be also used for trouble shooting. The normal waveforms at various test points specified on 11-1-2516 with the input data pulse on channel 1 are shown on this drawing.

If printing action stops after printing the time channel or at columns No. 5, 10, 15 and 20; the trouble is either with the column decoder or the ADC. If no readout occurs or the system stops at some other column, the trouble is either in the column decoder or the printer.

With a negative input data pulse, waveforms No. 1 and 2 on 11-1-2516 are reversed in polarity.

Waveform No. 2 appears on PB2TP2. Waveforms 3 through 6 appear on PB3TP1, PB24TP3, PB27TP6 and PB23TP4, respectively.

Waveforms 7 through 21 will appear at the same test points, regardless of the channel being tested or the polarity of the input data pulse.

The waveforms shown on timing diagram 11-1-2506 are essentially the waveforms that appear on the column decoder. Waveform No. 1, for example, should appear on PB33TP6. Waveform No. 5 appears on PB34TP1, PB37TP6, PB38TP4 and PB39TP4 with one pulse on each test point for every readout cycle.

The table which follows lists the programmer test points for waveforms 1 to 6 for checking out the three channels with negative and positive data pulses. All waveforms should have similar characteristics shown on 11-1-2516, except waveforms 1 and 2 should be reversed in polarity with negative input data pulses.

Input Data Pulse	Waveform No.					
	1	2	3	4	5	6
Ch. #1 Pos.	PB1TP1	PB2TP1	P33TP2	PB24TP2	PB27TP5	PB23TP3
Ch. #1 Neg.	PB1TP1	PB2TP2	PB3TP1	PB24TP3	PB27TP6	PB23TP4
Ch. #2 Pos.	PB6TP1	PB7TP1	PB8TP2	PB24TP1	PB27TP3	PB23TP1
Ch. #2 Neg.	PB6TP1	PB7TP2	PB8TP1	PB25TP3	PB27TP4	PB23TP2
Ch. #3 Pos.	PB11TP1	PB12TP1	PB13TP2	PB25TP1	PB27TP1	PB26TP3
Ch. #3 Neg.	PB11TP1	PB12TP2	PB13TP1	PB25TP2	PB27TP2	PB26TP4

DATA RECORDING AND PLAYBACK

It is recommended that the recording head gap be 0.001" (.025mm). A wider gap will cause cross talk between channels and partial erasure from data point to data point.

A smaller recording head gap will reduce the pulse width. This will require shorter peak memory responses, which could result in poorer noise rejection by the system and also increase tape dropout errors.

The reproduce heads should have a narrow gap for good high frequency response. The 4-channel standard playback heads as installed by Precision Instruments on their tape transport units are satisfactory in this respect.

LIST OF PLUG-IN MODULES REQUIRED FOR PROGRAMMER

Programmer cabinet is Raytheon MCR-75-500

<u>Type</u>	<u>No. Required</u>		<u>Drawing or Manufacturer</u>
GDG2-.2	10	Diode AND Gate	Raytheon
GDG3-.2	4	D.C. OR Gate	Raytheon
GFF1-.2	3	Flip-Flop	Raytheon
G1G1-.2*	2	A.C. OR Gate	Raytheon
GOS3-.2	4	One Shot	Raytheon
GNA1-.2	2	NAND Gate	Raytheon
GST2-.2	1	Schmitt Trigger	Raytheon
GDC1-.2	4	Decade Counter	Raytheon
GAI2-.2	1	Inverting Amplifier	Raytheon
GRG1-.2	1	Reset Gate	Raytheon
700125	3	Peak Memory Driver	Hamilton Standard
700131	1	Peak Memory Switch Driver	Hamilton Standard
700132	3	Peak Memory	Hamilton Standard
700127	3	Zero Crossing Detector	Hamilton Standard
700128	3	Arbitrary Circuit	Hamilton Standard
700126	3	Summing Amplifier	Hamilton Standard
700129	1	Output Amplifier	Hamilton Standard
700134	2	Multiplex Switch	Hamilton Standard
700124	4	Column Gate Driver	Hamilton Standard
700137	1	A.C. OR Gate	Hamilton Standard
700139	1	Low Pass Filter	Hamilton Standard

*One of these gates is modified per Drawing 11-1-2520.

LIST OF DRAWINGS AND MANUALS

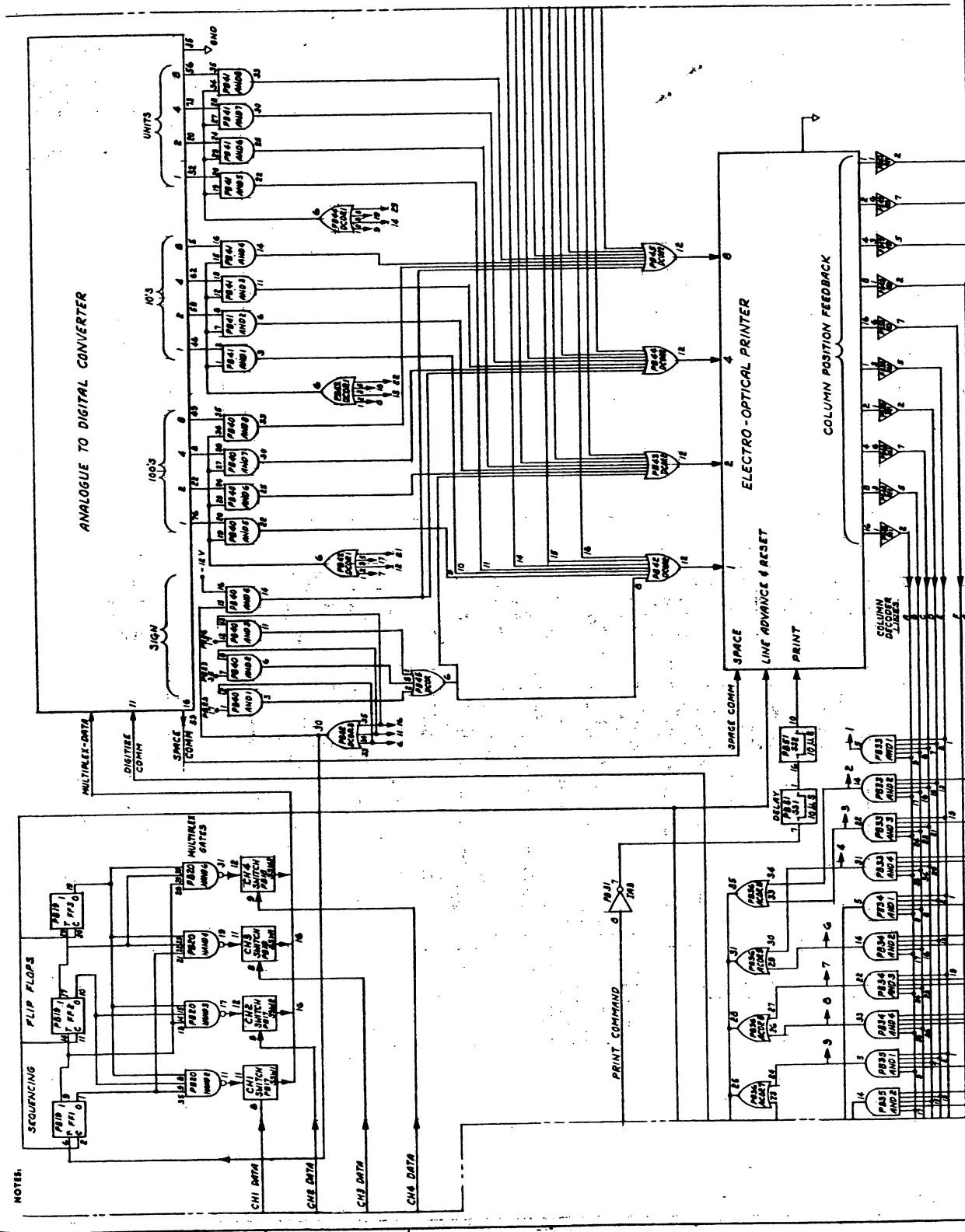
<u>Number</u>	<u>Title</u>
11-1-2505	System Logical Schematic
11-1-2506	Timing Diagram
11-1-2507	Column Gate Driver PB48, PB49, PB50 and PB57
11-1-2508	Peak Memory Driver PB1, PB6 and PB11
11-1-2509	Summing Amplifier PB16
11-1-2510	Zero Crossing Detector & Gate Generator PB3, PB8 & PB13
11-1-2511	Arbitrary Function PB5, PB10 and PB15
11-1-2512	Output Amplifier PB4, PB9 and PB14
11-1-2513	Programmer Power Supply Connections
11-1-2514	Peak Memory Switch Driver PB28
11-1-2515	Peak Memory PB2, PB7 and PB12
11-1-2516	Trouble Shooting Timing Diagram
11-1-2517	Multiplex Switch PB17 and PB18
11-1-2518	Control Panel
11-1-2519	Programmer Wiring Diagram
11-1-2520	A.C. OR Negative Input PB32
11-1-2521	System Wiring Diagram
11-1-2522	Recorder Filter PB21
Model 404DA	ADC Manual, Beckman Instruments
Model 4000	Printer Manual, Monroe Data/Log.
Model PI6001	Tape Transport Manual, Precision Instruments
Model SPFX-P	Arbitrary Function Transconductor Philbrick/Nexus
LM	Power Supply-Series-Specifications, Lambda Electronics
CPM 3001	Modules Manual - Raytheon

APPENDIX

ELECTRICAL SCHEMATICS

US ARMY NATICK LABORATORIES DRAWINGS

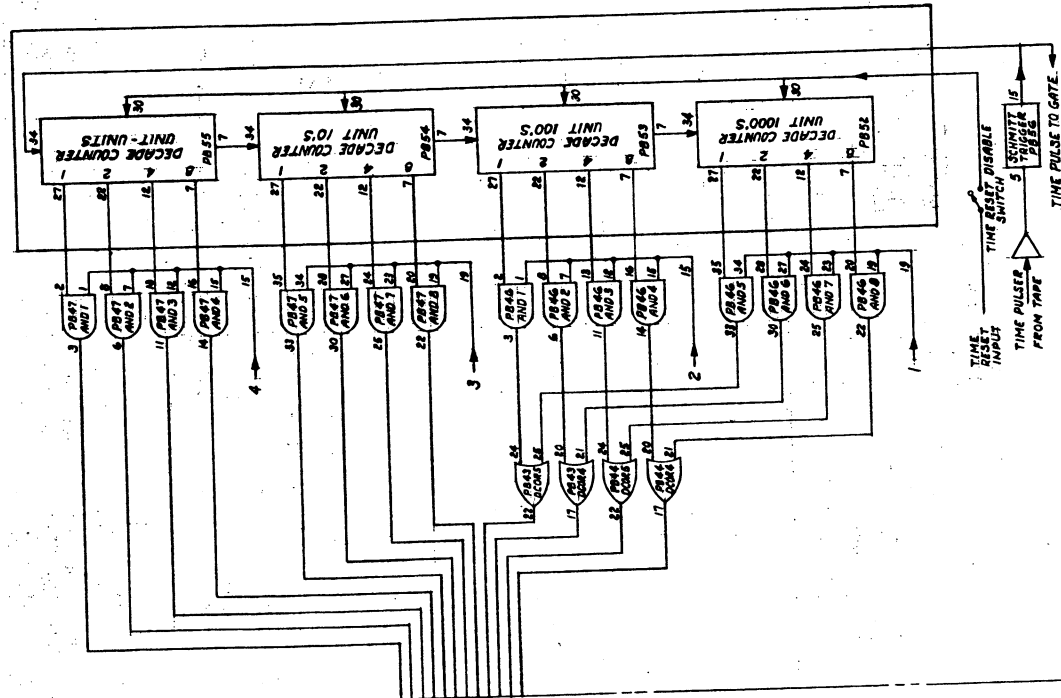
11-1-2505 THROUGH 11-1-2522



PARTS LIST		U.S. ARMY AIR FORCE LABORATORIES	
ITEM NO.	DESCRIPTION	QUANTITY	REMARKS
1	PS1 AND GATE	1	
2	PS2 AND GATE	1	
3	PS3 AND GATE	1	
4	PS4 AND GATE	1	
5	PS5 AND GATE	1	
6	PS6 AND GATE	1	
7	PS7 AND GATE	1	
8	PS8 AND GATE	1	
9	PS9 AND GATE	1	
10	PS10 AND GATE	1	
11	PS11 AND GATE	1	
12	PS12 AND GATE	1	
13	PS13 AND GATE	1	
14	PS14 AND GATE	1	
15	PS15 AND GATE	1	
16	PS16 AND GATE	1	
17	PS17 AND GATE	1	
18	PS18 AND GATE	1	
19	PS19 AND GATE	1	
20	PS20 AND GATE	1	
21	PS21 AND GATE	1	
22	PS22 AND GATE	1	
23	PS23 AND GATE	1	
24	PS24 AND GATE	1	
25	PS25 AND GATE	1	
26	PS26 AND GATE	1	
27	PS27 AND GATE	1	
28	PS28 AND GATE	1	
29	PS29 AND GATE	1	
30	PS30 AND GATE	1	
31	PS31 AND GATE	1	
32	PS32 AND GATE	1	
33	PS33 AND GATE	1	
34	PS34 AND GATE	1	
35	PS35 AND GATE	1	
36	PS36 AND GATE	1	
37	PS37 AND GATE	1	
38	PS38 AND GATE	1	
39	PS39 AND GATE	1	
40	PS40 AND GATE	1	
41	PS41 AND GATE	1	
42	PS42 AND GATE	1	
43	PS43 AND GATE	1	
44	PS44 AND GATE	1	
45	PS45 AND GATE	1	
46	PS46 AND GATE	1	
47	PS47 AND GATE	1	
48	PS48 AND GATE	1	
49	PS49 AND GATE	1	
50	PS50 AND GATE	1	
51	PS51 AND GATE	1	
52	PS52 AND GATE	1	
53	PS53 AND GATE	1	
54	PS54 AND GATE	1	
55	PS55 AND GATE	1	
56	PS56 AND GATE	1	
57	PS57 AND GATE	1	
58	PS58 AND GATE	1	
59	PS59 AND GATE	1	
60	PS60 AND GATE	1	
61	PS61 AND GATE	1	
62	PS62 AND GATE	1	
63	PS63 AND GATE	1	
64	PS64 AND GATE	1	
65	PS65 AND GATE	1	
66	PS66 AND GATE	1	
67	PS67 AND GATE	1	
68	PS68 AND GATE	1	
69	PS69 AND GATE	1	
70	PS70 AND GATE	1	
71	PS71 AND GATE	1	
72	PS72 AND GATE	1	
73	PS73 AND GATE	1	
74	PS74 AND GATE	1	
75	PS75 AND GATE	1	
76	PS76 AND GATE	1	
77	PS77 AND GATE	1	
78	PS78 AND GATE	1	
79	PS79 AND GATE	1	
80	PS80 AND GATE	1	
81	PS81 AND GATE	1	
82	PS82 AND GATE	1	
83	PS83 AND GATE	1	
84	PS84 AND GATE	1	
85	PS85 AND GATE	1	
86	PS86 AND GATE	1	
87	PS87 AND GATE	1	
88	PS88 AND GATE	1	
89	PS89 AND GATE	1	
90	PS90 AND GATE	1	
91	PS91 AND GATE	1	
92	PS92 AND GATE	1	
93	PS93 AND GATE	1	
94	PS94 AND GATE	1	
95	PS95 AND GATE	1	
96	PS96 AND GATE	1	
97	PS97 AND GATE	1	
98	PS98 AND GATE	1	
99	PS99 AND GATE	1	
100	PS100 AND GATE	1	

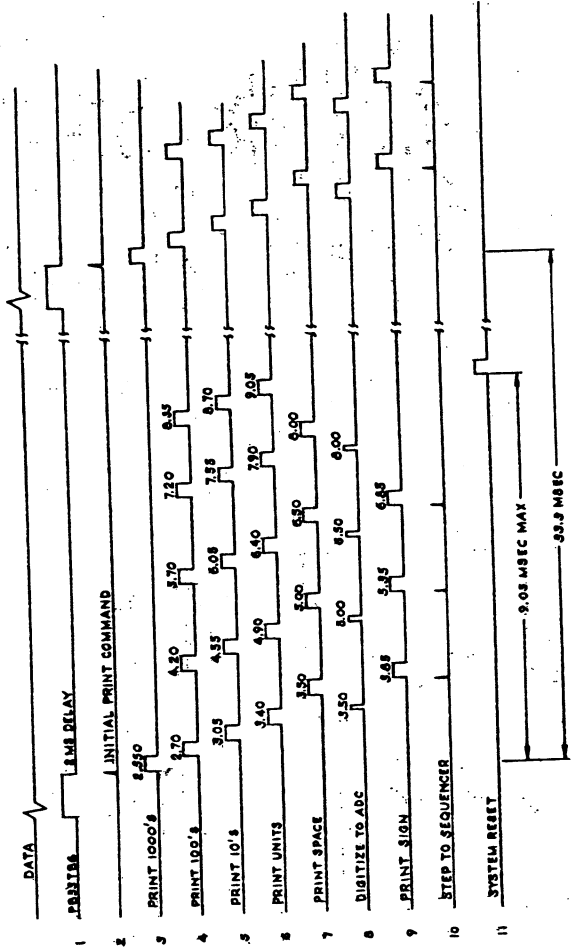
NOTE: 1. ALL PARTS LISTED ARE TO BE OBTAINED FROM THE U.S. ARMY AIR FORCE LABORATORIES. 2. THE PARTS LIST IS SUBJECT TO CHANGE WITHOUT NOTICE. 3. THE PARTS LIST IS SUBJECT TO REVISION. 4. THE PARTS LIST IS SUBJECT TO DELETION. 5. THE PARTS LIST IS SUBJECT TO ADDITION. 6. THE PARTS LIST IS SUBJECT TO MODIFICATION. 7. THE PARTS LIST IS SUBJECT TO CANCELLATION. 8. THE PARTS LIST IS SUBJECT TO SUSPENSION. 9. THE PARTS LIST IS SUBJECT TO RESCINDMENT. 10. THE PARTS LIST IS SUBJECT TO REVOCATION. 11. THE PARTS LIST IS SUBJECT TO ANNULLMENT. 12. THE PARTS LIST IS SUBJECT TO TERMINATION. 13. THE PARTS LIST IS SUBJECT TO EXPIRATION. 14. THE PARTS LIST IS SUBJECT TO EXHAUSTION. 15. THE PARTS LIST IS SUBJECT TO DEPLETION. 16. THE PARTS LIST IS SUBJECT TO DIMINUTION. 17. THE PARTS LIST IS SUBJECT TO REDUCTION. 18. THE PARTS LIST IS SUBJECT TO INCREASE. 19. THE PARTS LIST IS SUBJECT TO DECREASE. 20. THE PARTS LIST IS SUBJECT TO FLUCTUATION. 21. THE PARTS LIST IS SUBJECT TO VARIATION. 22. THE PARTS LIST IS SUBJECT TO CHANGE. 23. THE PARTS LIST IS SUBJECT TO MODIFICATION. 24. THE PARTS LIST IS SUBJECT TO REVISION. 25. THE PARTS LIST IS SUBJECT TO DELETION. 26. THE PARTS LIST IS SUBJECT TO ADDITION. 27. THE PARTS LIST IS SUBJECT TO MODIFICATION. 28. THE PARTS LIST IS SUBJECT TO CANCELLATION. 29. THE PARTS LIST IS SUBJECT TO SUSPENSION. 30. THE PARTS LIST IS SUBJECT TO RESCINDMENT. 31. THE PARTS LIST IS SUBJECT TO TERMINATION. 32. THE PARTS LIST IS SUBJECT TO EXPIRATION. 33. THE PARTS LIST IS SUBJECT TO EXHAUSTION. 34. THE PARTS LIST IS SUBJECT TO DEPLETION. 35. THE PARTS LIST IS SUBJECT TO DIMINUTION. 36. THE PARTS LIST IS SUBJECT TO REDUCTION. 37. THE PARTS LIST IS SUBJECT TO INCREASE. 38. THE PARTS LIST IS SUBJECT TO DECREASE. 39. THE PARTS LIST IS SUBJECT TO FLUCTUATION. 40. THE PARTS LIST IS SUBJECT TO VARIATION. 41. THE PARTS LIST IS SUBJECT TO CHANGE. 42. THE PARTS LIST IS SUBJECT TO MODIFICATION. 43. THE PARTS LIST IS SUBJECT TO REVISION. 44. THE PARTS LIST IS SUBJECT TO DELETION. 45. THE PARTS LIST IS SUBJECT TO ADDITION. 46. THE PARTS LIST IS SUBJECT TO MODIFICATION. 47. THE PARTS LIST IS SUBJECT TO CANCELLATION. 48. THE PARTS LIST IS SUBJECT TO SUSPENSION. 49. THE PARTS LIST IS SUBJECT TO RESCINDMENT. 50. THE PARTS LIST IS SUBJECT TO TERMINATION. 51. THE PARTS LIST IS SUBJECT TO EXPIRATION. 52. THE PARTS LIST IS SUBJECT TO EXHAUSTION. 53. THE PARTS LIST IS SUBJECT TO DEPLETION. 54. THE PARTS LIST IS SUBJECT TO DIMINUTION. 55. THE PARTS LIST IS SUBJECT TO REDUCTION. 56. THE PARTS LIST IS SUBJECT TO INCREASE. 57. THE PARTS LIST IS SUBJECT TO DECREASE. 58. THE PARTS LIST IS SUBJECT TO FLUCTUATION. 59. THE PARTS LIST IS SUBJECT TO VARIATION. 60. THE PARTS LIST IS SUBJECT TO CHANGE. 61. THE PARTS LIST IS SUBJECT TO MODIFICATION. 62. THE PARTS LIST IS SUBJECT TO REVISION. 63. THE PARTS LIST IS SUBJECT TO DELETION. 64. THE PARTS LIST IS SUBJECT TO ADDITION. 65. THE PARTS LIST IS SUBJECT TO MODIFICATION. 66. THE PARTS LIST IS SUBJECT TO CANCELLATION. 67. THE PARTS LIST IS SUBJECT TO SUSPENSION. 68. THE PARTS LIST IS SUBJECT TO RESCINDMENT. 69. THE PARTS LIST IS SUBJECT TO TERMINATION. 70. THE PARTS LIST IS SUBJECT TO EXPIRATION. 71. THE PARTS LIST IS SUBJECT TO EXHAUSTION. 72. THE PARTS LIST IS SUBJECT TO DEPLETION. 73. THE PARTS LIST IS SUBJECT TO DIMINUTION. 74. THE PARTS LIST IS SUBJECT TO REDUCTION. 75. THE PARTS LIST IS SUBJECT TO INCREASE. 76. THE PARTS LIST IS SUBJECT TO DECREASE. 77. THE PARTS LIST IS SUBJECT TO FLUCTUATION. 78. THE PARTS LIST IS SUBJECT TO VARIATION. 79. THE PARTS LIST IS SUBJECT TO CHANGE. 80. THE PARTS LIST IS SUBJECT TO MODIFICATION. 81. THE PARTS LIST IS SUBJECT TO REVISION. 82. THE PARTS LIST IS SUBJECT TO DELETION. 83. THE PARTS LIST IS SUBJECT TO ADDITION. 84. THE PARTS LIST IS SUBJECT TO MODIFICATION. 85. THE PARTS LIST IS SUBJECT TO CANCELLATION. 86. THE PARTS LIST IS SUBJECT TO SUSPENSION. 87. THE PARTS LIST IS SUBJECT TO RESCINDMENT. 88. THE PARTS LIST IS SUBJECT TO TERMINATION. 89. THE PARTS LIST IS SUBJECT TO EXPIRATION. 90. THE PARTS LIST IS SUBJECT TO EXHAUSTION. 91. THE PARTS LIST IS SUBJECT TO DEPLETION. 92. THE PARTS LIST IS SUBJECT TO DIMINUTION. 93. THE PARTS LIST IS SUBJECT TO REDUCTION. 94. THE PARTS LIST IS SUBJECT TO INCREASE. 95. THE PARTS LIST IS SUBJECT TO DECREASE. 96. THE PARTS LIST IS SUBJECT TO FLUCTUATION. 97. THE PARTS LIST IS SUBJECT TO VARIATION. 98. THE PARTS LIST IS SUBJECT TO CHANGE. 99. THE PARTS LIST IS SUBJECT TO MODIFICATION. 100. THE PARTS LIST IS SUBJECT TO REVISION.

ITEM NO.	QTY	CODE	DESCRIPTION	QUANTITY	UNIT	DATE
PARTS LIST						
U.S. ARMY MATERIEL LABORATORIES						
DATE: 5 OCT 72						
PART NO: 81337						
SYSTEM LOGICAL SCHEMATIC						
U.S. ARMY MATERIEL LABORATORIES						
11-1-2505						



NOTES:

NOTES:

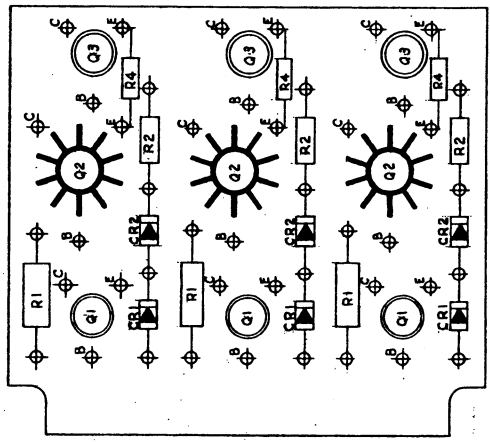
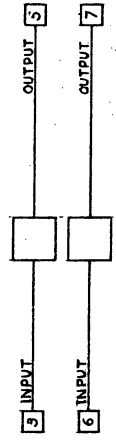
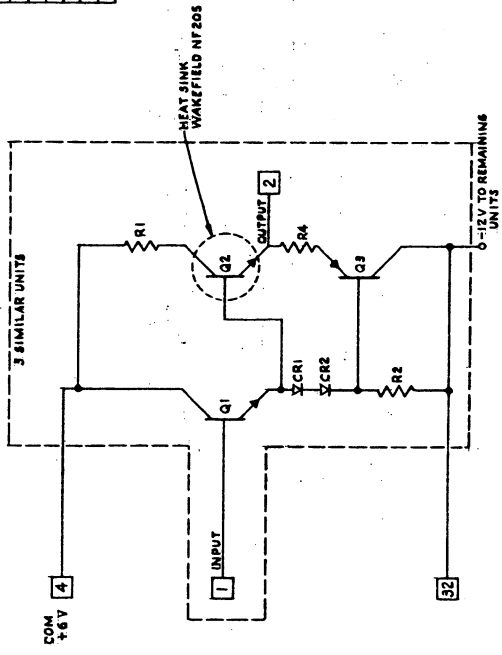


FUNCTION PRINT	TIME	CH 1	CH 2	CH 3	CH 4
1	2.850				
2	3.05				
3	3.40				
4	3.50				
5	3.50				
6	3.50				
7	3.50				
8	3.50				
9	3.50				
10	3.50				
11	3.50				

ITEM NO.	QTY.	CODE	DESCRIPTION	PART NO. OR IDENTIFYING NO.	QUANTITY OR DESCRIPTION	MATERIAL	MATL. SPEC.	DWG. NO.
PARTS LIST								
U.S. ARMY MATICE LABORATORY MATICE MAIL 0170 DATE: 3.07.74 CHECKED: [Signature] APPROVAL: [Signature]								
DATA RETRIEVAL SYSTEM								
TIMING DIAGRAM								
SIZE: 8 1/2 X 11 IN. (DRAWING NO. 11-1-2506) SCALE: D 81337 SHEET: 1 OF 1								

REVISED	DATE	APPROVED
DESCRIPTION		

SYM	COMPONENT	VALUE	TOL
CR1	HEAT SINK WAKEFIELD NF 204		
CR2	ING643A		
Q1	2N2219		
Q2	2N2219		
Q3	2N2905		
R1	RC32GF30J 33Ω	5%	
R2	RC20GF821J 820Ω	5%	
R4	RC20GF220J 22Ω	5%	
PB1	RAYTHEON PLUG IN BOARD M891		

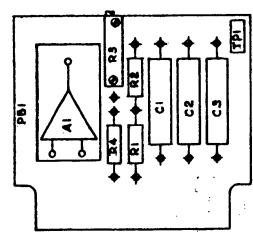
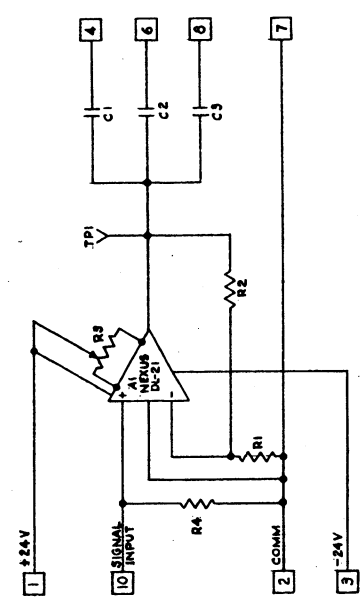


ITEM NO.	QTY	CODE	DESCRIPTION	PART NO. OR IDENTIFYING NO.	MANUFACTURE OR DESCRIPTION	MATERIAL	MATL. SPEC.	DWG. NO.
PARTS LIST								
UNLESS OTHERWISE SPECIFIED:			DATE: 9 OCT 74					
DIMENSIONS ARE IN INCHES			PREPARED: G.P.H.					
FRACTIONS: 1/16, 1/8, 1/4, 3/8, 1/2, 5/8, 3/4, 7/8			CHECKED: F.C.V.					
TOLERANCES: 3 PLACE DIMS *			ENGINEER: J. H. H.					
MATERIAL:			APPROVAL DESIGN ACTIVITY: [Signature]					
MATERIAL:			APPROVAL OTHER: [Signature]					
MATERIAL:			SCALE: UNIT: WT. SHEET: OF					

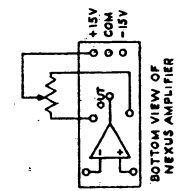
U.S. ARMY MATER. LABORATORIES
 DATA RETRIEVAL SYSTEM
 COLUMN GATE DRIVER
 PB48, PB49, PB50, PB57
 SIZE CODE (DRAWING NO.)
 D 81337 11-1-2507

NOTES:

NOTES:



SYM	COMPONENT	VALUE	TOL
A1	NEXUS RESEARCH LABS DI-21		
C1	SPRAGUE 113D606C703071	60MFD	±1%
C2	SPRAGUE 113D606C703071	60MFD	±1%
C3	SPRAGUE 113D606C703071	60MFD	±1%
R1	MEPCO RN65C1001F	1.0K	1%
R2	MEPCO RN65C9011F	9.01K	1%
R3	BOURNS 200L-2-104K	100K	10%
R4	RN65B5113F	51.1K	1%
TPI	UNICITE 119437 TEST JACK		
PBI	RAYTHEON PLUG IN BOARD MBBI		



REV. NO.	DATE	BY	DESCRIPTION	MATERIAL	UNIT	QTY	DATE	BY	DESCRIPTION	MATERIAL	UNIT	QTY

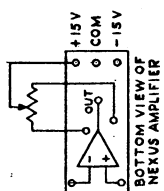
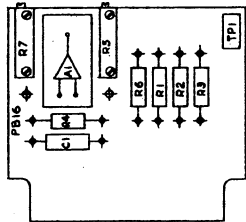
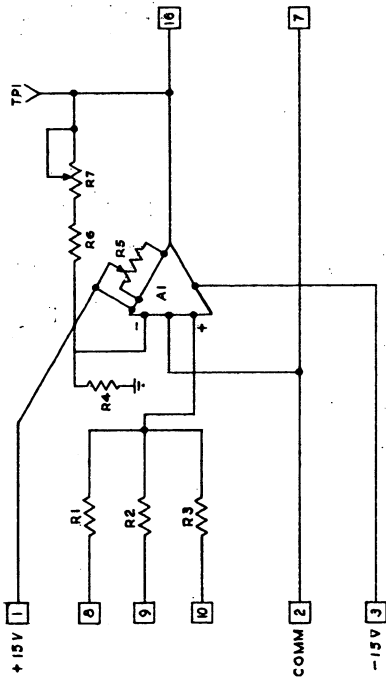
UNLESS OTHERWISE SPECIFIED:
 DIMENSIONS ARE IN INCHES AND DECIMALS THEREOF.
 TOLERANCES:
 FRACTIONS
 ANGLES
 3 PLACE DIMS.
 3 PLACE DIMS.
 MATERIAL

DATE: 9-01-74
 PREPARED: JFM
 CHECKED: JFM
 ENGINEER: JFM
 APPROVAL DESIGN: JFM
 APPROVAL OTHER: JFM

U.S. ARMY MATCO LABORATORIES
 MATCO, MARK 81700
DATA RETRIEVAL SYSTEM
PEAK MEMORY DRIVER
PBI, P86 & PBI1

SIZE: CODE IDENT NO. DRAWING NO. 11-1-2508
 SCALE: D 81337 UNIT WT. SHEET 09

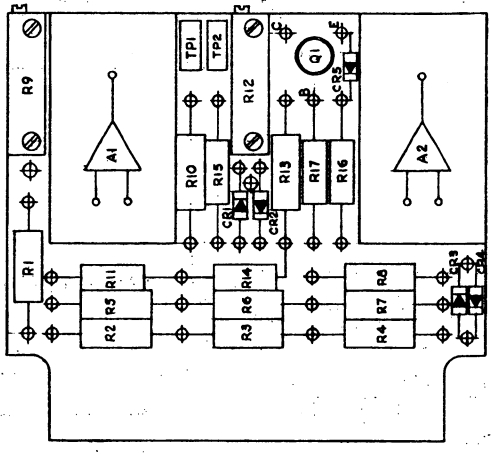
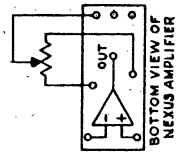
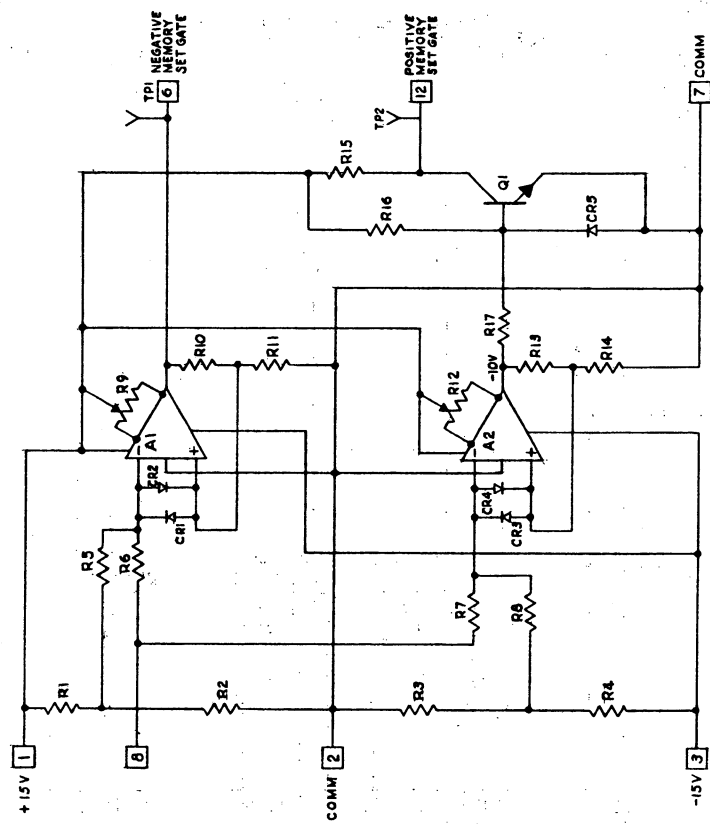
SYM	COMPONENT	VALUE	TOL
A1	NEXUS RESEARCH LAB CDA-12A		
C1	SPRAGE 118PT039282	.01MF	10%
R1	MEPCO RN65C2002C	20K	.25%
R2	MEPCO RN65C2002C	20K	.25%
R3	MEPCO RN65C2002C	20K	.25%
R4	MEPCO RN65B6811F	6.81K	1%
R5	BOURNS 200L-2-104	100K	10%
R6	MEPCO RN65C1001F	10K	1%
R7	BOURNS 200L-2-104	10K	10%
PB1	BATHENON PLUG IN BOARD M681		
TPI	UCINITE TEST JACK 119487		



NOTES:

ITEM NO.	QTY REQD	CODE IDENT	PART NO. OR IDENTIFYING NO.	NOMENCLATURE OR DESCRIPTION	MATERIAL	MATL SPEC	DWG NO.
PARTS LIST							
U.S. ARMY NIXON LABORATORIES DATA RETRIEVAL SYSTEM SUMMING AMPLIFIER PB 16							
DATE: 3 OCT 74 PREPARED BY: [Signature] CHECKED BY: [Signature] ENGINEER: [Signature] APPROVAL DESIGN ACTIVITY: [Signature] APPROVAL OTHER: [Signature]							
UNLESS OTHERWISE SPECIFIED: DIMENSIONS ARE IN INCHES WIRE AND METAL DIMS FOLLOWED							
TOLERANCES: FRACTIONS ± DECIMALS ± PLACE DIMS ± PLACE DIMS ±							
MATERIAL: NEXT ASST USED OR APPLICATION							
SIZE CODE IDENT NO DRAWING NO. D 81337						11-1-2509 SCALE: [] UNIT: WT. [] SHEET OF []	

SYM	COMPONENT	VALUE	TOL
CR1	IN483B		
CR2	IN483B		
CR3	IN483B		
CR4	IN483B		
CR5	IN483B		
A1	NEXUS RESEARCH LABS FS1-1E		
A2	NEXUS RESEARCH LABS FS1-1E		
R1		4.99K	1%
R2		47Ω	1%
R3		47Ω	1%
R4		47Ω	1%
R5		4.99K	1%
R6		4.99K	1%
R7		10K	1%
R8		10K	1%
R9		10K	1%
R10		10K	1%
R11		10K	1%
R12		10K	1%
R13		10K	1%
R14		10K	1%
R15		10K	1%
R16		10K	1%
R17		10K	1%
R18		10K	1%
R19		10K	1%
R20		10K	1%
R21		10K	1%
R22		10K	1%
R23		10K	1%
R24		10K	1%
R25		10K	1%
R26		10K	1%
R27		10K	1%
R28		10K	1%
R29		10K	1%
R30		10K	1%
R31		10K	1%
R32		10K	1%
R33		10K	1%
R34		10K	1%
R35		10K	1%
R36		10K	1%
R37		10K	1%
R38		10K	1%
R39		10K	1%
R40		10K	1%
R41		10K	1%
R42		10K	1%
R43		10K	1%
R44		10K	1%
R45		10K	1%
R46		10K	1%
R47		10K	1%
R48		10K	1%
R49		10K	1%
R50		10K	1%
R51		10K	1%
R52		10K	1%
R53		10K	1%
R54		10K	1%
R55		10K	1%
R56		10K	1%
R57		10K	1%
R58		10K	1%
R59		10K	1%
R60		10K	1%
R61		10K	1%
R62		10K	1%
R63		10K	1%
R64		10K	1%
R65		10K	1%
R66		10K	1%
R67		10K	1%
R68		10K	1%
R69		10K	1%
R70		10K	1%
R71		10K	1%
R72		10K	1%
R73		10K	1%
R74		10K	1%
R75		10K	1%
R76		10K	1%
R77		10K	1%
R78		10K	1%
R79		10K	1%
R80		10K	1%
R81		10K	1%
R82		10K	1%
R83		10K	1%
R84		10K	1%
R85		10K	1%
R86		10K	1%
R87		10K	1%
R88		10K	1%
R89		10K	1%
R90		10K	1%
R91		10K	1%
R92		10K	1%
R93		10K	1%
R94		10K	1%
R95		10K	1%
R96		10K	1%
R97		10K	1%
R98		10K	1%
R99		10K	1%
R100		10K	1%
Q1	2N2219		
TP1	UCINITE 11437 TEST JACK		
TP2	UCINITE 11437 TEST JACK		



U. S. ARMY MATIC LABORATORIES
 MATIC, MASS.

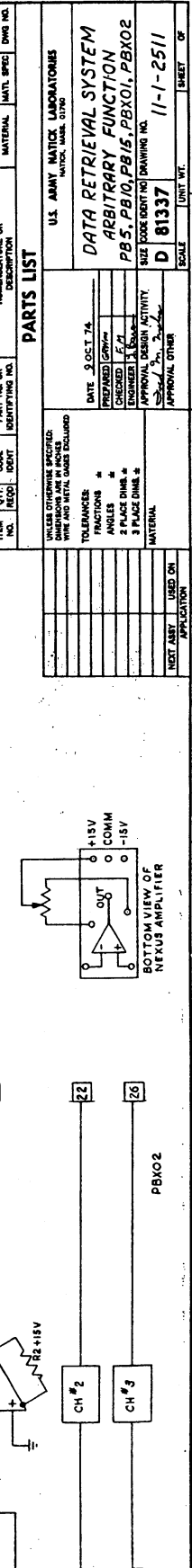
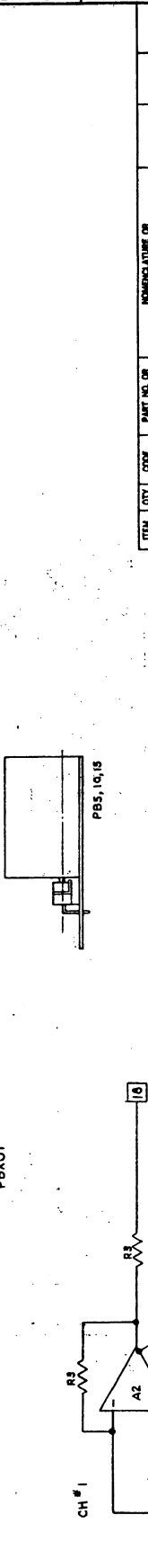
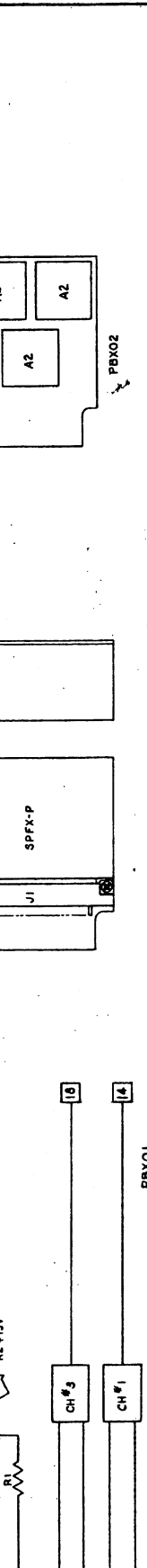
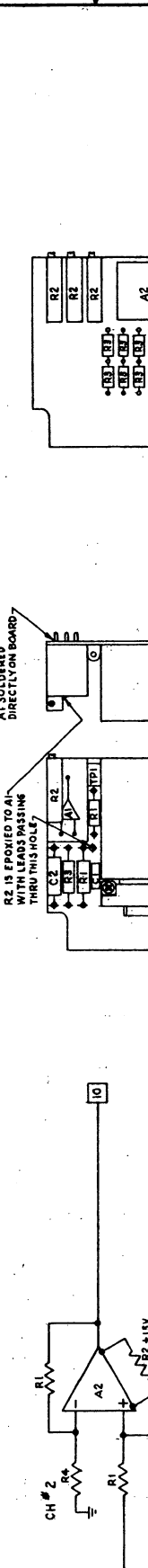
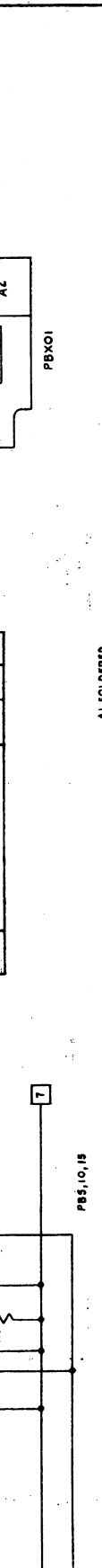
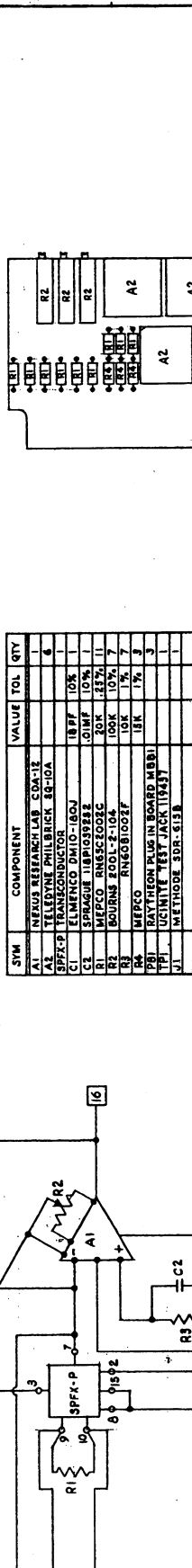
DATA RETRIEVAL SYSTEM
ZERO CROSSING DETECTOR
PB3, PB8 & PB13

DATE: 9 OCT 74

U.S. ARMY
 MATIC MATIC
 MATIC MATIC

DATE: 11-25-70

U.S. ARMY
 MATIC MATIC
 MATIC MATIC



NOTES:

1. NEXUS RESEARCH LAB COAXIAL

2. TELDYNE PHILBRICK 80-10A

3. SPFX-P TRANSCONDUCTOR

4. ELMENCO DM10-160J

5. SPRAGUE 118P103R2E2

6. MFGCO RNE5C200SC

7. BOURNS Z00L-2-104

8. 100K 10% 7

9. MFGCO RNE6B100ZF

10. 10K 1% 7

11. MFGCO RNE6B100ZF

12. 10K 1% 7

13. MFGCO RNE6B100ZF

14. 10K 1% 7

15. MFGCO RNE6B100ZF

16. 10K 1% 7

17. MFGCO RNE6B100ZF

18. 10K 1% 7

19. MFGCO RNE6B100ZF

20. 10K 1% 7

21. MFGCO RNE6B100ZF

22. 10K 1% 7

23. MFGCO RNE6B100ZF

24. 10K 1% 7

25. MFGCO RNE6B100ZF

26. 10K 1% 7

27. MFGCO RNE6B100ZF

28. 10K 1% 7

29. MFGCO RNE6B100ZF

30. 10K 1% 7

31. MFGCO RNE6B100ZF

32. 10K 1% 7

33. MFGCO RNE6B100ZF

34. 10K 1% 7

35. MFGCO RNE6B100ZF

36. 10K 1% 7

37. MFGCO RNE6B100ZF

38. 10K 1% 7

39. MFGCO RNE6B100ZF

40. 10K 1% 7

41. MFGCO RNE6B100ZF

42. 10K 1% 7

43. MFGCO RNE6B100ZF

44. 10K 1% 7

45. MFGCO RNE6B100ZF

46. 10K 1% 7

47. MFGCO RNE6B100ZF

48. 10K 1% 7

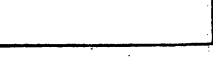
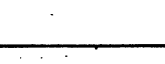
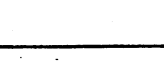
49. MFGCO RNE6B100ZF

50. 10K 1% 7

SYM	COMPONENT	VALUE	TOL	QTY
A1	NEXUS RESEARCH LAB COAXIAL			1
A2	TELDYNE PHILBRICK 80-10A			4
SPFX-P	TRANSCONDUCTOR			1
C1	ELMENCO DM10-160J	18PF	10%	1
C2	SPRAGUE 118P103R2E2	0.1MF	10%	1
R1	MFGCO RNE5C200SC	20K	1.5%	11
R2	BOURNS Z00L-2-104	100K	10%	7
R3	MFGCO RNE6B100ZF	10K	1%	7
R4	MFGCO RNE6B100ZF	10K	1%	7
TPI	RAYLEON PLUG IN BOARD M881			1
TPI	LUCRIVE TEST JACK 119457			1
J1	METHODE 3DR-5138			1

R2 IS EPOXIED TO A1 WITH LEADS PASSING THROUGH THIS HOLE

A1 SOLDERED DIRECTLY ON BOARD



U.S. ARMY MATTER LABORATORIES
MATTER, MATL, SPEC, DWG NO.

DATE: 9 OCT 74
PREPARED BY: [Signature]
CHECKED BY: [Signature]
ENGINEER: [Signature]
APPROVAL DESIGN ACTIVITY: [Signature]
APPROVAL OTHER: [Signature]

DATE: 9 OCT 74
PREPARED BY: [Signature]
CHECKED BY: [Signature]
ENGINEER: [Signature]
APPROVAL DESIGN ACTIVITY: [Signature]
APPROVAL OTHER: [Signature]

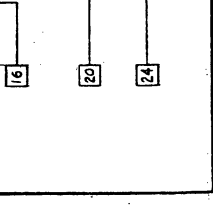
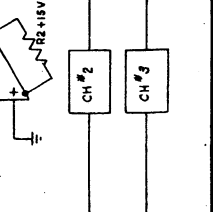
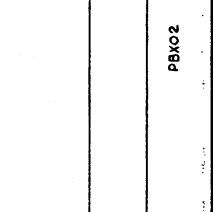
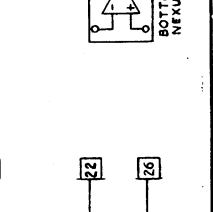
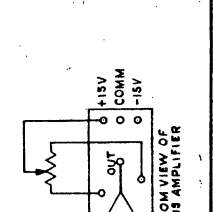
UNLESS OTHERWISE SPECIFIED, DIMENSIONS ARE IN INCHES. WIRE AND METAL LEADS EXCLUDED.

TOLERANCES:
FRACTIONS: ±
ANGLES: ±
DIM: ±
3 PLACE DIM: ±

ITEM NO. QTY. CODE REGO. PART NO. OR IDENTIFYING NO. NOMENCLATURE OR DESCRIPTION MATERIAL MATL SPEC. DWG NO.

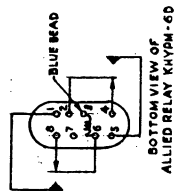
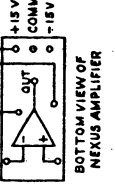
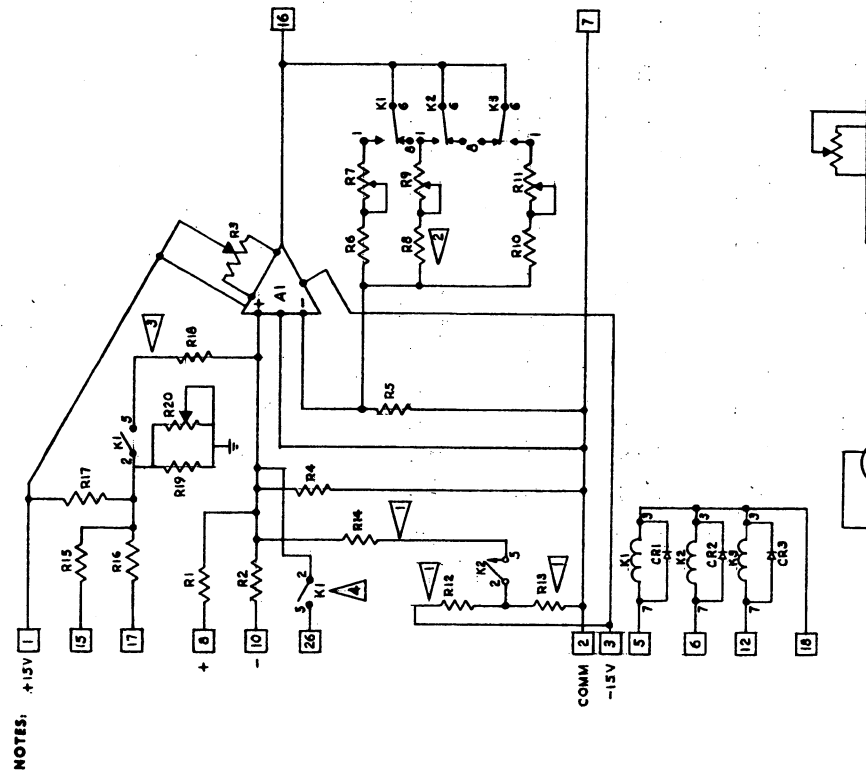
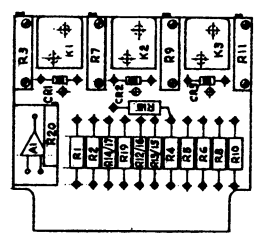
SCALE: 11-1-25/11

SHEET: 02

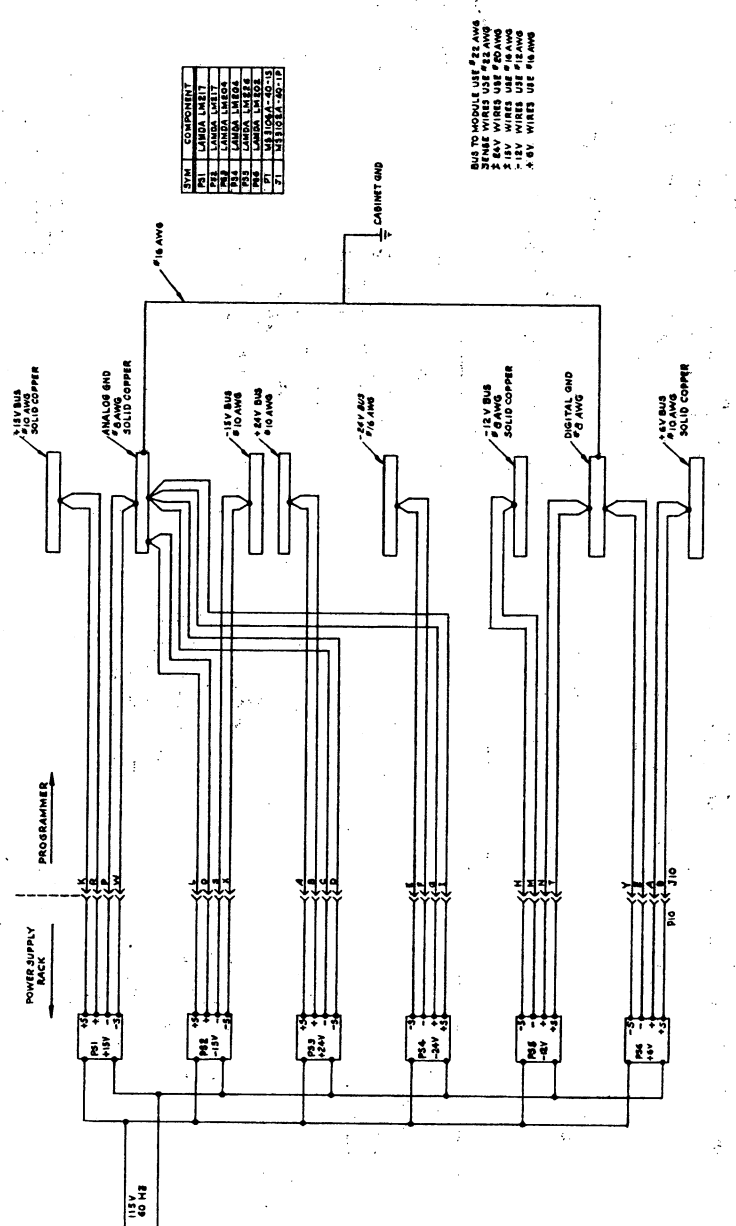


SYM	COMPONENT	VALUE	TOL
K1	ALLIED CONTROL KHYPM-6D-12D		
K2	ALLIED CONTROL KHYPM-6D-12D		
K3	ALLIED CONTROL KHYPM-6D-12D		
R1	MEPCO RN6SC2002C	20K	25%
R2	MEPCO RN6SC2002C	20K	25%
R3	BOURNS Z00L-E-104	100K	10%
R4	MEPCO RN6SC1000C	1K	25%
R5	MEPCO RN6SC2002C	2K	25%
R6	MEPCO RN6SC1692F	2.49K	1%
R7	BOURNS Z00L-E-103	10K	10%
R8	MEPCO RN6SC5111F	8.1K	1%
R9	BOURNS Z00L-E-302	5K	1%
R10	MEPCO RN6SC3832F	38.2K	10%
R11	BOURNS Z00L-E-103	10K	10%
R12	MEPCO RN6SC491C	2.49K	25%
R13	MEPCO RN6SC491C	499Ω	25%
R14	MEPCO RN6SC192C	19.2K	25%
R15	MEPCO RN6SC192C	19.2K	25%
R16	MEPCO RN6SC192C	19.2K	25%
R17	MEPCO RN6SC2002C	2K	25%
R18	MEPCO RN6SC192C	19.2K	25%
R19	SPRAGUE RN45C	590Ω	25%
R20	BOURNS Z00L-E-302	3K	1%
CR1	IN4838		
CR2	IN4838		
CR3	IN4838		
A1	NEXUS RESEARCH LABS COA-12 &		
PB1	RAYTHEON PLUG IN BOARD RBBI		

- 1 - R18, R19 AND R20 ARE USED ON THE PLUG IN BOARD IN THE TEMPERATURE CHANNEL (PB4)
- 2 - R8 IS RN6SC2002F 20K 1% ON THE PLUG IN BOARD IN THE STATIC LOAD CHANNEL (PB9)
- 3 - ON PB9 ONLY
- 4 - ON PB4 AND PB14 ONLY



ITEM NO.	QTY	CODE	RECD	IDENT	PART NO. OR IDENTIFYING NO.	MANUFACTURE OR DESCRIPTION	MATERIAL	MAT. SPEC.	DWG NO.
PARTS LIST									
U.S. ARMY MATCK LABORATORIES NATCK, MAIL DTG 0190									
DATA RETRIEVAL SYSTEM									
OUTPUT AMPLIFIER									
PB4, PB9, PB14									
DATE 3 OCT 74									
PREPARED BY									
CHECKED BY									
APPROVED BY									
APPROVAL AUTHORITY									
APPROVAL OTHER									
SIZE CODE (SEE DRAWING)									
DRAWING NO. 11-1-2512									
SCALE									
UNIT WT.									
SHEET									
OF									



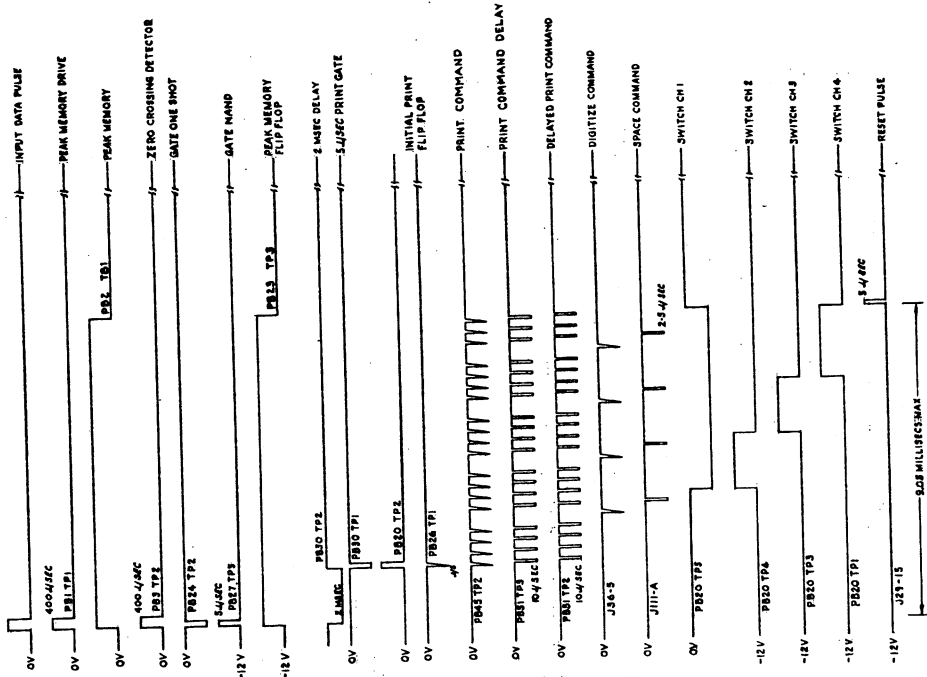
BUS TO MODULE USE #16 AWG
 SENSE WIRES USE #22 AWG
 240V WIRES USE #10 AWG
 115V WIRES USE #16 AWG
 115V WIRES USE #16 AWG

NOTES:

ITEM NO.	QTY	CODE	DESCRIPTION	QUANTITY	DATE	BY
PARTS LIST						
U.S. ARMY RESEARCH LABORATORIES MADISON, WISCONSIN 53706				DATE: 9 OCT 74		
TITLE: DATA RETRIEVAL SYSTEM				PROJECT: 11-1-2513		
SUBTITLE: POWER SUPPLY CONNECTIONS				DRAWING NO: 11-1-2513		
DESIGNED BY: []				CHECKED BY: []		
DRAWN BY: []				APPROVED BY: []		
MATERIAL: []				SCALE: []		
REVISIONS: []				DATE: []		

NOTES:

TROUBLE SHOOTING PROGRAMMER TIMING DIAGRAM WITH POSITIVE DATA PULSE

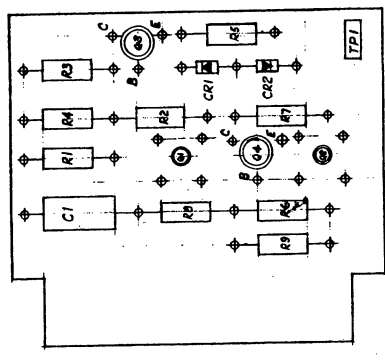
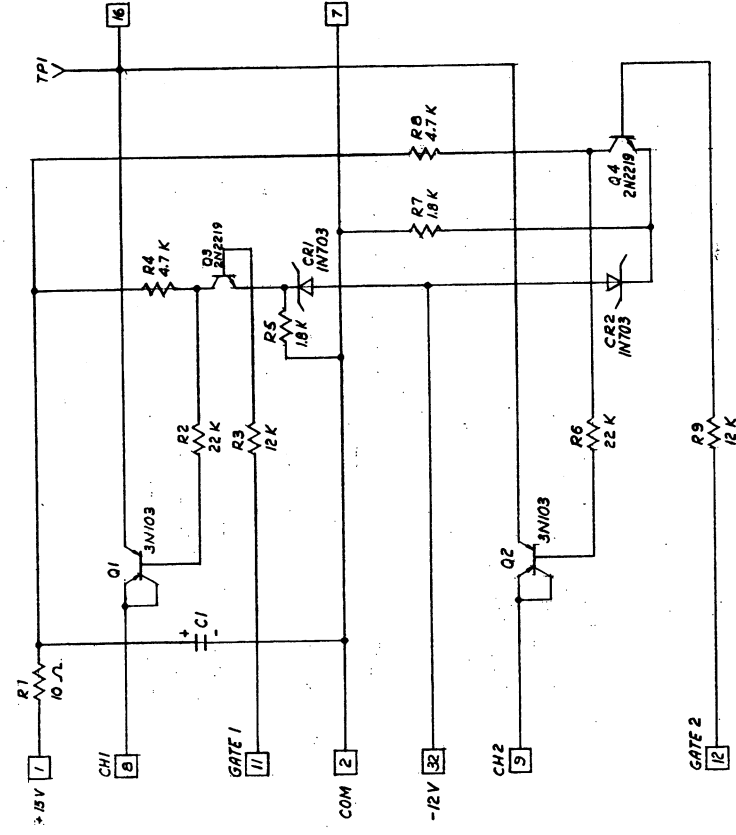


- 4- WAVEFORMS 2 THRU 6 APPEAR ON TEST POINTS P82 TBI, P83 TZE, P84 TPE, P85 TPS, P86 TPE, P87 TPE, P88 TPI, FOR A NEGATIVE DATA PULSE IN CH 1.
- 3- POLARITIES OF WAVEFORMS 11Z ARE REVERSED FOR A NEGATIVE DATA REFERENCE PULSE.
- 2- WAVEFORM LEVELS 4 THRU 81 ARE -9 TO -12 V AND 0 TO -.5 V NOMINAL.
- 1- INPUT DATA TO J112, PINS A 4 B 1 PIN A HIGH SIDE.

DATE	11-1-74	TIME	11:00 AM
TEST NO.	11-1-2516	TEST DATE	11-1-74
TEST UNIT	11-1-2516	TEST ON	11-1-74
TEST POINT	11-1-2516	TEST BY	11-1-74
TEST INSTR.	11-1-2516	TEST ROOM	11-1-74
TEST TECH.	11-1-2516	TEST EQUIP.	11-1-74
TEST PROC.	11-1-2516	TEST RESULT	11-1-74
TEST COND.	11-1-2516	TEST SIGNATURE	11-1-74
TEST TIME	11-1-2516	TEST COMMENTS	11-1-74
TEST VALUE	11-1-2516	TEST APPROVAL	11-1-74
TEST UNIT	11-1-2516	TEST ROOM	11-1-74
TEST TECH.	11-1-2516	TEST EQUIP.	11-1-74
TEST PROC.	11-1-2516	TEST RESULT	11-1-74
TEST COND.	11-1-2516	TEST SIGNATURE	11-1-74
TEST TIME	11-1-2516	TEST COMMENTS	11-1-74
TEST VALUE	11-1-2516	TEST APPROVAL	11-1-74

U.S. ARMY AVIATION LABORATORIES
 DATA RETRIEVAL SYSTEM
 TROUBLE SHOOTING
 TIMING DIAGRAM
 DATE: 9 OCT 74
 TEST POINT NO: 11-1-2516
 TEST UNIT: 11-1-2516
 TEST TECH: 11-1-2516
 TEST PROC: 11-1-2516
 TEST COND: 11-1-2516
 TEST TIME: 11-1-2516
 TEST VALUE: 11-1-2516

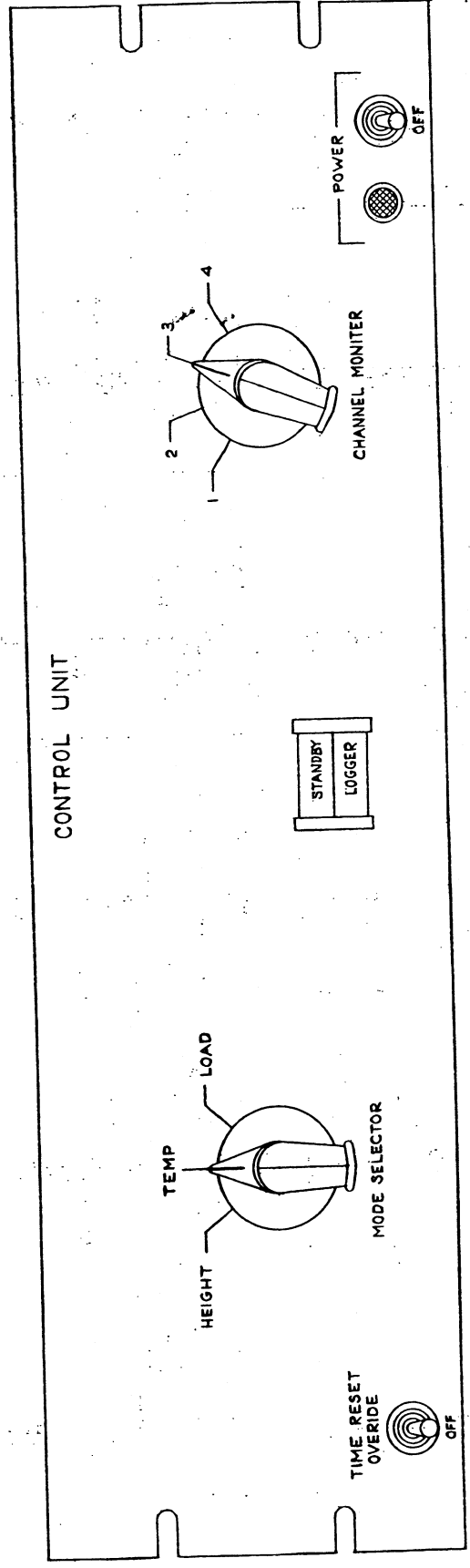
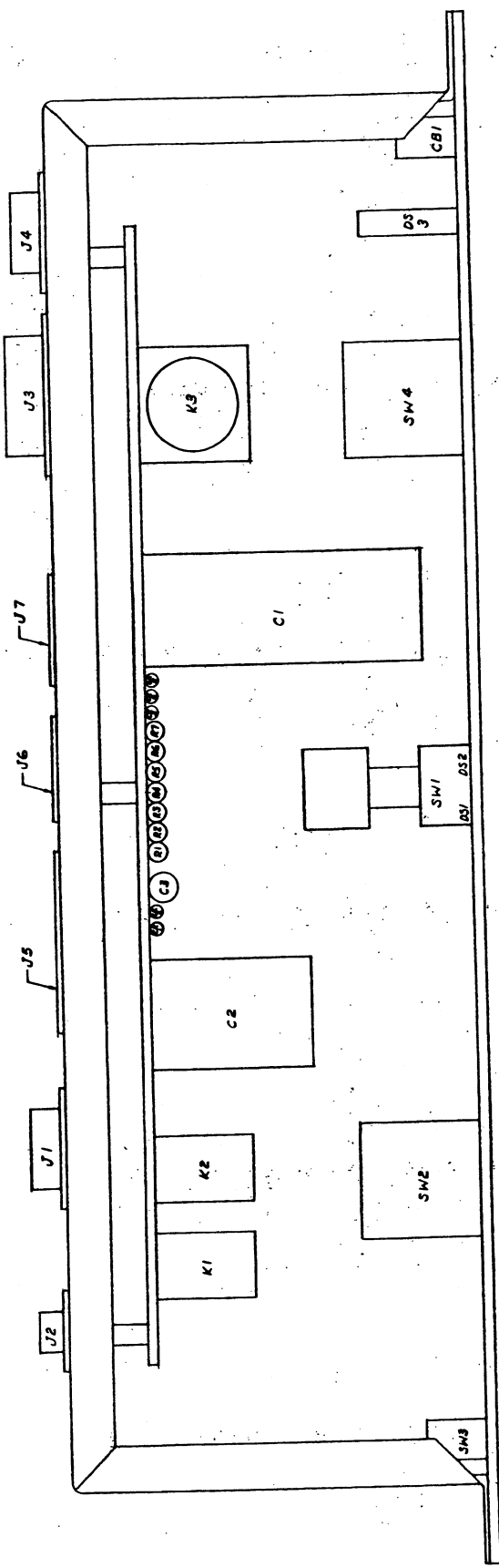
SYM	COMPONENT	VALUE TOL
CR1	DIODE INT03	
CR2	DIODE INT03	
C1	SPRAGUE R00107K0R032	100NF
R1	RC20GF100J	10.0K 5%
R2	RC20GF23J	22K 5%
R3	RC20GF123J	12K 5%
R4	RC20GF47J	4.7K 5%
R5	RC20GF18J	1.8K 5%
R6	RC20GF23J	22K 5%
R7	RC20GF18J	1.8K 5%
R8	RC20GF47J	4.7K 5%
R9	RC20GF12J	12K 5%
Q1	3N103	
Q2	3N103	
Q3	2N2219	
Q4	2N2219	



NOTES:

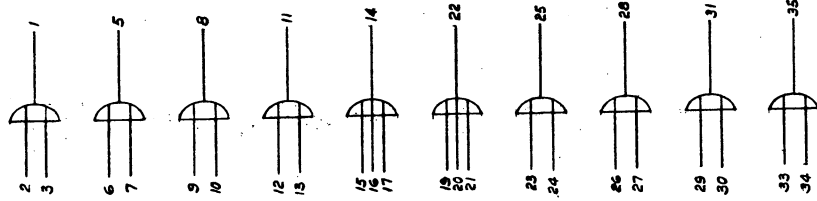
U.S. ARMY AVIATION LABORATORIES
 DATA RETRIEVAL SYSTEM
 PART NO. 8017 PA 10
 DATE 2-22-74
 DRAWN BY J. J. BROWN
 CHECKED BY J. J. BROWN
 APPROVED BY J. J. BROWN
 PARTS LIST
 ITEM QTY CODE PART NO. OR DESCRIPTION UNIT PRICE QUANTITY

NOTES:

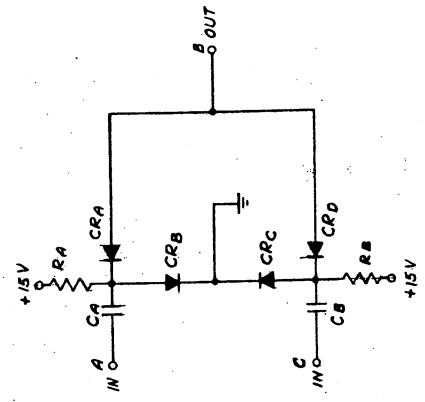


ITEM NO.	QTY	CODE	DESCRIPTION	MANUFACTURE OR IDENTIFICATION NO.	MATERIAL	UNIT PRICE	AMOUNT
PARTS LIST							
U.S. ARMY AVIATION LABORATORY							
DATA RETRIEVAL SYSTEM							
CONTROL PANEL							
DATE: 11-1-58							
DRAWN BY: J. J. JONES							
CHECKED BY: J. J. JONES							
APPROVED BY: J. J. JONES							
PARTIAL NUMBER: 11-1-2518							
E 81337							

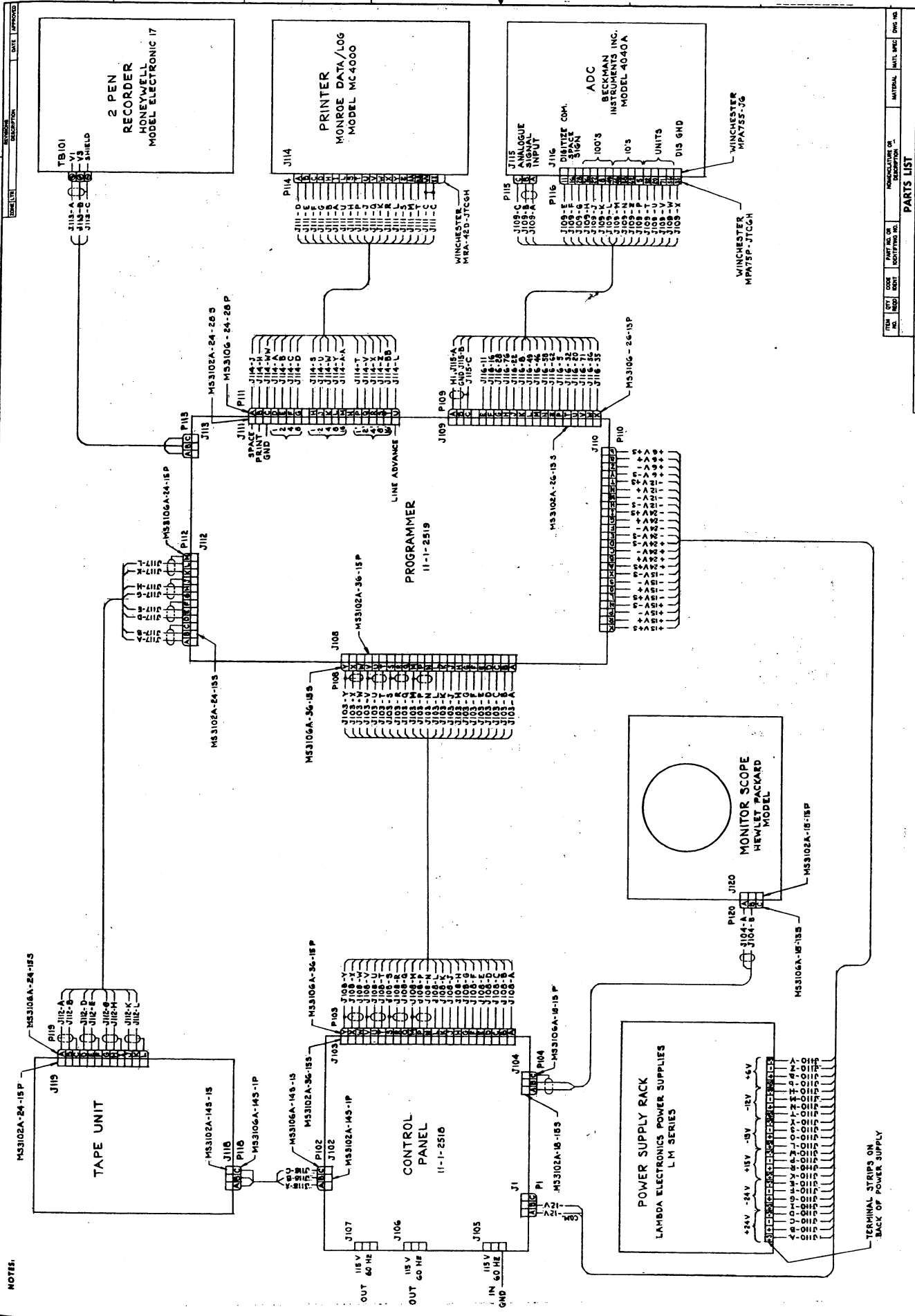
NOTES:
 1. THIS BOARD IS A RAYTHEON GIG1-2 WITH THE DIODES REVERSED AND RA & RB REPLACED WITH 47K RESISTORS.



SYM	COMPONENT	VALUE	TOL
CA	CAPACITOR	390PF	±10%
CB	CAPACITOR	390PF	±10%
CRA	RAYTHEON PEC503050		
CRB	RAYTHEON PEC503050		
CRC	RAYTHEON PEC503050		
CRD	RAYTHEON PEC503050		
RA	RC206F473J	47K	5%
RB	RC206F473J	47K	5%



ITEM NO.	QTY	CODE IDENT	PART NO. OR IDENTIFYING NO.	MANUFACTURER OR DESCRIPTION	MATERIAL	MATL SPEC.	DWG NO.
PARTS LIST							
U.S. ARMY MATCOX LABORATORIES MATCOX MARK 0170				DATE 9 OCT 74 PREPARED F. A. J. S. CHECKED K. M. ENGINEER J. S.			
U.S. ARMY MATCOX LABORATORIES DATA RETRIEVAL SYSTEM AC OR GATE NEGATIVE INPUT				SIZE CODE IDENT NO. DRAWING NO. 11-1-2520 D 81337			
UNLESS OTHERWISE SPECIFIED DIMENSIONS ARE IN INCHES WIRE AND METAL UNLESS SPECIFIED				TOLERANCES: FRACTIONS ± ANGLES ± PLACE DIMS ± PLACE DIMS ±			
MATERIAL				APPROVAL OTHER:			
NEXT ARMY APPLICATION				USED ON:			

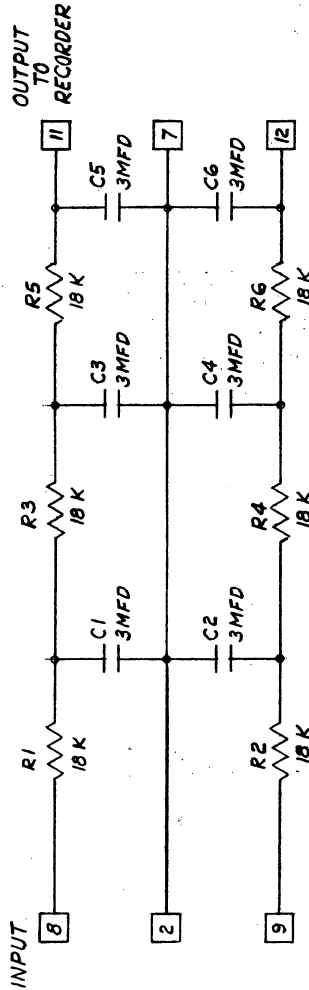


NOTES:

TERMINAL STRIPS ON
BACK OF POWER SUPPLY

ITEM NO.	QTY	CODE	DESCRIPTION	MATERIAL	UNIT PRICE	EXT. NO.
PARTS LIST						
U.S. ARMY RESEARCH LABORATORIES WASHINGTON, D.C. 20315						
DATA RETRIEVAL SYSTEM						
SYSTEM WIRING DIAGRAM						
E 181337						

SYM	COMPONENT	VALUE	TOL
C1	SPRAGUE 118P30592S2	3 MFD	10 %
C2	SPRAGUE 118P30592S2	3 MFD	10 %
C3	SPRAGUE 118P30592S2	3 MFD	10 %
C4	SPRAGUE 118P30592S2	3 MFD	10 %
C5	SPRAGUE 118P30592S2	3 MFD	10 %
C6	SPRAGUE 118P30592S2	3 MFD	10 %
R1	RC20GF183J	18 K	5 %
R2	RC20GF183J	18 K	5 %
R3	RC20GF183J	18 K	5 %
R4	RC20GF183J	18 K	5 %
R5	RC20GF183J	18 K	5 %
R6	RC20GF183J	18 K	5 %



ITEM NO.	QTY REQD	CODE IDENT	PART NO. OR IDENTIFYING NO.	NOMENCLATURE OR DESCRIPTION	MATERIAL	MATL SPEC	DWG NO.
PARTS LIST							
U.S. ARMY MATCOX LABORATORIES DATA RETRIEVAL SYSTEM RECORDER FILTER PB21							
DATE: 9 OCT 74 PREPARED BY: JPL/OS CHECKED BY: JPL/OS APPROVAL: JPL/OS APPROVAL OTHER:							
SIZE: CODE IDENT NO. DRAWING NO. 11-1-2522 SCALE:							
TOLERANCES: FRACTIONS: ANGLES: 3 PLACE DIMS: 3 PLACE DIMS: MATERIAL:							
NEXT ARMY APPLICATION:							