

REPORT DOCUMENTATION PAGE

Form Approved
OMB No. 0704-0188

Public reporting burden for this collection of information is estimated to average 1 hour per response, including the time for reviewing instructions, searching existing data sources, gathering and maintaining the data needed, and completing and reviewing this collection of information. Send comments regarding this burden estimate or any other aspect of this collection of information, including suggestions for reducing this burden to Department of Defense, Washington Headquarters Services, Directorate for Information Operations and Reports (0704-0188), 1215 Jefferson Davis Highway, Suite 1204, Arlington, VA 22202-4302. Respondents should be aware that notwithstanding any other provision of law, no person shall be subject to any penalty for failing to comply with a collection of information if it does not display a currently valid OMB control number. **PLEASE DO NOT RETURN YOUR FORM TO THE ABOVE ADDRESS.**

| | | | | | |
|---|--------------------|--|-----------------------------------|--|---|
| 1. REPORT DATE (DD-MM-YYYY) February 2012 | | 2. REPORT TYPE Journal Article | | 3. DATES COVERED (From - To) | |
| 4. TITLE AND SUBTITLE Time-Synchronized CW Laser-Induced Fluorescence on an Oscillatory Xenon Discharge (Pre Print) | | | | 5a. CONTRACT NUMBER | |
| | | | | 5b. GRANT NUMBER | |
| | | | | 5c. PROGRAM ELEMENT NUMBER | |
| 6. AUTHOR(S) N.A. MacDonald, M.A. Cappelli, and William A. Hargus, Jr. | | | | 5d. PROJECT NUMBER | |
| | | | | 5f. WORK UNIT NUMBER Q0AZ | |
| 7. PERFORMING ORGANIZATION NAME(S) AND ADDRESS(ES) Air Force Research Laboratory (AFMC) AFRL/RZSS 1 Ara Drive Edwards AFB CA 93524-7013 | | | | 8. PERFORMING ORGANIZATION REPORT NUMBER | |
| 9. SPONSORING / MONITORING AGENCY NAME(S) AND ADDRESS(ES) Air Force Research Laboratory (AFMC) AFRL/RZS 5 Pollux Drive Edwards AFB CA 93524-7048 | | | | 10. SPONSOR/MONITOR'S ACRONYM(S) | |
| | | | | 11. SPONSOR/MONITOR'S NUMBER(S) AFRL-RZ-ED-JA-2012-045 | |
| 12. DISTRIBUTION / AVAILABILITY STATEMENT Approved for public release; distribution unlimited (PA #12114). | | | | | |
| 13. SUPPLEMENTARY NOTES For publication in Applied Physics Letters. | | | | | |
| 14. ABSTRACT A novel approach to time-synchronizing laser-induced fluorescence measurements to an oscillating current in a 60 Hz xenon discharge lamp using a CW laser is presented. A sample-hold circuit is implemented to separate out signals at different phases along a current cycle, and is followed by a lock-in amplifier to pull out the resulting time-synchronized fluorescence trace from the large background signal. The time evolution of lower state population are derived from the changes in intensity of the fluorescence excitation lineshape resulting from laser-induced fluorescence measurements of the $6s'[1/2]^0_1 - 6p'[3/2]_2$ xenon atomic transition at $\lambda = 834.68$ nm. Results show that the lower state population oscillates at twice the frequency of the discharge current, 120 Hz. | | | | | |
| 15. SUBJECT TERMS | | | | | |
| 16. SECURITY CLASSIFICATION OF: | | | 17. LIMITATION OF ABSTRACT | 18. NUMBER OF PAGES | 19a. NAME OF RESPONSIBLE PERSON |
| a. REPORT | b. ABSTRACT | c. THIS PAGE | | | Dr. William R. Hargus, Jr. |
| Unclassified | Unclassified | Unclassified | SAR | 5 | 19b. TELEPHONE NUMBER (include area code) N/A |

Time-Synchronized CW Laser-Induced Fluorescence on an Oscillatory Xenon Discharge

N. A. MacDonald,^{1, a)} M. A. Cappelli,¹ and W. A. Hargus Jr.²

¹⁾Stanford Plasma Physics Laboratory, Stanford University, Stanford, CA 94305.

²⁾Air Force Research Laboratory, Edwards AFB, CA 93524.

(Dated: 2 March 2012)

A novel approach to time-synchronizing laser-induced fluorescence measurements to an oscillating current in a 60 Hz xenon discharge lamp using a CW laser is presented. A sample-hold circuit is implemented to separate out signals at different phases along a current cycle, and is followed by a lock-in amplifier to pull out the resulting time-synchronized fluorescence trace from the large background signal. The time evolution of lower state population are derived from the changes in intensity of the fluorescence excitation lineshape resulting from laser-induced fluorescence measurements of the $6s'[1/2]_1^0 - 6p'[3/2]_2$ xenon atomic transition at $\lambda = 834.68$ nm. Results show that the lower state population oscillates at twice the frequency of the discharge current, 120 Hz.

This Letter describes a method of time-synchronizing laser-induced fluorescence (LIF) measurements in an oscillatory discharge to points in time along the discharge current cycle. A continuous wave (CW) diode laser is used to probe the $6s'[1/2]_1^0 - 6p'[3/2]_2$ neutral transition at 834.68 nm in a 60 Hz xenon lamp discharge. A sample-hold circuit and lock-in amplifier is used to pull out fluorescence excitation lineshapes that each correspond to a particular point in time along a discharge current cycle.

Motivation for this work is derived from previous LIF velocimetry diagnostics applied to low-power plasma propulsion devices, in particular cusped-field discharges such as the Diverging Cusped Field Thruster (DCFT)². One of the primary operating modes of the DCFT is characterized by strong, quasi-periodic, ~ 3 kHz current oscillations corresponding to fluctuations in the position of the ionization region in the thruster. Time-averaged LIF studies are not capable of resolving such ion dynamics.

Typical time-resolved LIF measurements employ pulsed dye lasers to study properties such as the spectral line broadening of a given transition, reflecting the temperature, velocity distribution, etc. With a Doppler broadened temperatures on the order of 2000 K, the $6s'[1/2]_1^0 - 6p'[3/2]_2$ Xe transition used in this work has a linewidth of ~ 1.3 GHz. State of the art pulsed dye lasers have linewidth of >1 GHz¹ at best. In order to achieve a time-synchronized fluorescence measurement while maintaining the capability of resolving the transition's spectral features, the use of a CW laser, with linewidths <300 kHz,¹ is necessary for this diagnostic.

Several studies have attempted time-resolved LIF measurements in an oscillating plasma discharge using a CW laser. These studies include the measurements of velocity or energy distributions in a Hall thruster,^{3,4} a magnetic field reconnection experiment in a toroidal shaped plasma device,⁶ and a helicon generated pulsed argon plasma.⁷

In each of these studies, the plasma discharge was driven at a particular frequency and the fluorescence signal was averaged over tens to hundreds of discharge cycles in order to eliminate background noise. In the case of the Hall thruster, measurements were triggered after short interruptions to the thruster discharge power. For the toroidal plasma device, the open cusped shaped magnetic field was periodically driven to reconnect with the vessel's walls through use of an external poloidal field coil. In the pulsed argon plasma, an external function generator was used to add low frequency (5 Hz) pulses to the rf power driving the helicon discharge.

Our proposed method varies from these previous studies in several important ways. First, it is intended for use on an oscillatory mode of a plasma (in particular, the DCFT) that is operating continuously, without any forced interruption to the discharge current. Second, the natural operation of the DCFT is quasi-periodic, with oscillations driven by the accumulation of ions within the thruster channel and subsequent expulsion of the ions due to an applied electric field. This so-called "breathing mode" is not driven at a particular frequency, as seen in the reconnection experiment, and can therefore vary slightly over the course of a laser scan. By using phase sensitive detection and a sample-hold circuit that triggers time-synchronization when the discharge current passes through a particular level, not at a particular frequency, we are able to extract fluorescence signals correlated to discharge currents that are not perfectly periodic.

These experiments were performed at the Stanford Plasma Physics Laboratory (SPPL) at Stanford University. The experimental apparatus is shown in Fig. 1. The laser is a New Focus Vortex *TLB - 6017* tunable CW diode laser, with a center wavelength of 834.7 nm. The laser is typically scanned over an ~ 20 GHz frequency range to encompass an entire spectral feature as well as a nearby reference line. The 10 mW beam is passed through several beam pick-offs for diagnostic purposes. The first beam pick-off directs a beam to a photodiode detector (D1) used to provide constant power feedback to the laser. The second beam is divided into two equal

^{a)}Electronic mail: smacdo@stanford.edu.

Distribution A: Approved for public release; distribution unlimited.

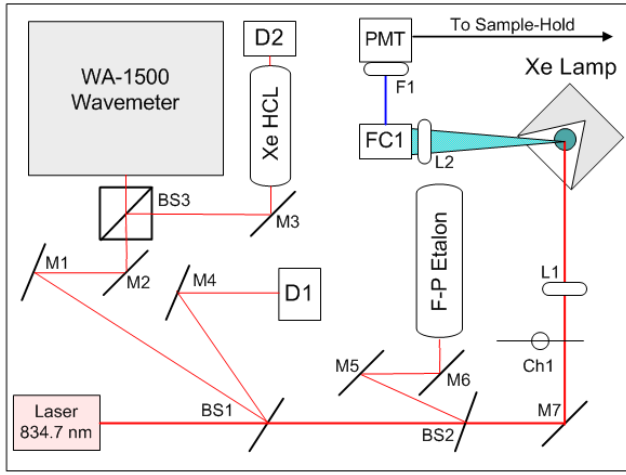


FIG. 1. Top view diagram of the laser optical train and collection optics used to measure fluorescence excitation lineshapes for the Xe lamp discharge.

components by a 50-50 cube beam splitter. The first component is directed to a Burleigh WA-1000 wavelength meter used to monitor absolute wavelength. The second component is sent through a low pressure xenon hollow cathode discharge lamp (HCL), that provides a wavelength reference through absorption of the neutral xenon $6s'[1/2]_1^0 - 6p'[3/2]_2$ transition at 834.68 nm^{8,9}. The second pick-off sends a beam to a Thorlabs SA200 Fabry-Perot etalon (F-P), with a 1.5 GHz free spectral range and finesse of 200. Combined with the absorption reference, the F-P etalon provides a high resolution frequency measurement that gives a much more accurate measurement of wavelength than the wavemeter as the laser is swept during a scan.

The main portion of the beam is sent through a Stanford Research Systems SR540 chopper, rotating at 11 Hz for phase sensitive detection, and is then focused by a 2", 100 mm focal length lens onto the center of a 60 Hz xenon spectral lamp that is run by an SP-200 power supply. This relatively slow chopper frequency is chosen such that the 60 Hz oscillation in the discharge current goes through several cycles for each chopper on/off period. Although there is a small detectable xenon ion population in this particular discharge, a better signal is achieved by probing the $6s'[1/2]_1^0 - 6p'[3/2]_2$ neutral transition at 834.68 nm. Non-resonant fluorescence from the $6s[3/2]_1^0 - 6p'[3/2]_2$ transition is collected at 473.42 nm¹⁸ to minimize back-scatter from reflections off of the lamp surface.

Light from the lamp, including both the fluorescence signal at 473.42 nm and background emission, is collected at an angle 90° from the incident probe beam by a 1", 100 mm focal length lens, then fed into a fiber optic cable via a 1" diameter Thorlabs F810SMA-543 fiber collimation lens. The fiber optic cables used in this set-up are Thorlabs multimode cables with 200 μm silicon core and 220 μm cladding, with a numerical aperture (NA) of 0.22.

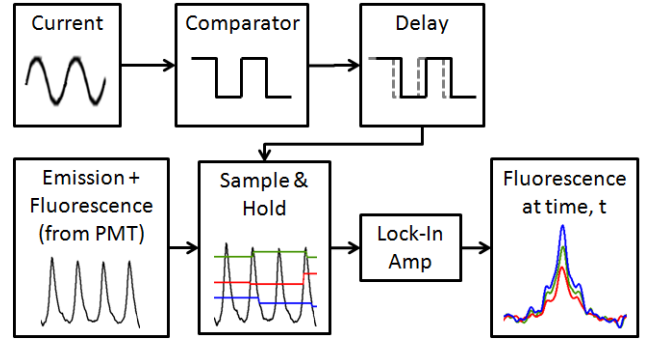


FIG. 2. Block diagram of the sample-and-hold method of synchronizing the fluorescence trace to various times along a discharge current cycle.

The cables transport the collected fluorescence through a 10 nm bandpass filter, centered at 470 nm to filter out the majority of background light, and into a photomultiplier tube (PMT). If sent directly into a lock-in amplifier, this set-up would provide a time-averaged measurement of the fluorescence excitation lineshape.

To time-synchronize the LIF signal to the discharge current, a sample-and-hold scheme is implemented between the PMT and the lock-in amplifier. Fig. 2 provides a block diagram describing the hardware version of this approach. The sample-and-hold and lock-in method was first implemented in software. Simultaneous measurements are taken of the discharge current, absorption reference, etalon, chopper reference, and fluorescence signal from the PMT, using a 16 bit Gage scope card. The fluorescence is embedded in background noise, the majority of which is produced by emission from the discharge.

The discharge current, as a function of time, is passed through a low pass filter for noise reduction. Points where the AC current from the Xe discharge cross through zero with a positive slope are then located. The points are considered to be time t_0 within the discharge current cycle. Times t_1 , t_2 , etc. along the current cycle are then determined based on a delay time with reference to the t_0 points.

The emission plus fluorescence signal is then passed through a digital sample and hold circuit, as shown in Figure 3. The lower portion of this figure shows the current trace, with points for time t_0 through t_2 shown as dots. The upper portion of the graph gives the raw PMT signal, with the chopper on/off cycle is also shown as a black dotted line, for reference. The emission plus fluorescence trace is sampled at the first data point corresponding to time t_0 in the current trace. This value is then held until the current cycle reaches its next positive zero crossing, at which time the emission plus fluorescence trace is re-sampled and held until the next crossing. This process is repeated for data points corresponding to times t_1 , t_2 , etc., thereby splitting the emission plus fluorescence signal into N separate signals corresponding to N different times within a discharge current cycle. The

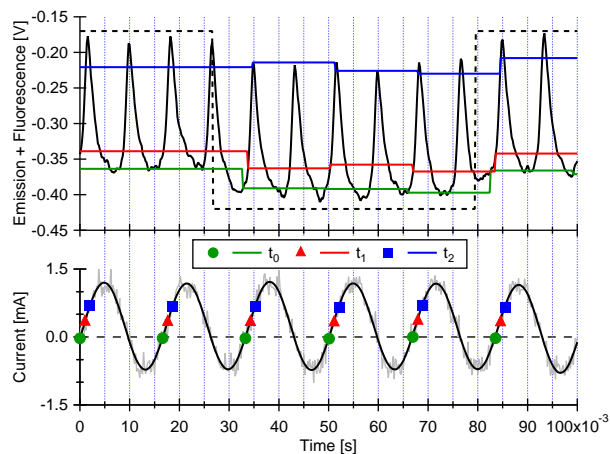


FIG. 3. Example of correlation between points in current cycle (bottom) and sample-held signals from the emission plus fluorescence trace (top) taken from a 60 Hz Xe discharge lamp.

individual sample-held signals are then passed through a digital lock-in, along with the recorded chopper reference, to extract the time correlated fluorescence excitation lineshape out of the background emission.

Although the software version of this procedure is desirable due to the need for only a single scan to time-synchronize the fluorescence to the discharge current, applications of this method can include a hardware version of the sample-hold and lock-in amplifier. The impetus for the hardware version is the much lower signal-to-noise ratio seen in the DCFT as compared to the xenon spectral lamp. The high dynamic reserve achieved by a hardware lock-in amplifier, such as the Stanford Research Systems (SRS) SR-850, is computationally expensive to replicate.

For the hardware sample-hold design, the current from the Xe lamp discharge is fed into an LM339 comparator chip to transform it into a series of transistor-transistor logic (TTL) pulses (see Fig 2). The resulting signal from comparator is a square wave with an approximately 50% duty cycle. With inputs from the comparator and the raw emission plus fluorescence signal from the PMT, an SRS SR-250 Boxcar Averager is used to perform the sample-hold function.

For every positive slope in the comparator signal, the boxcar averager samples the PMT signal for a period of time defined by the gate width. For the 60 Hz Xe discharge, the gate width is set to $15\mu s$, a very small fraction of a current cycle. The SR-250 is capable of gate widths on the order of nanoseconds, which would be more appropriate for resolving higher frequency discharges. The sampled value of the PMT signal is then held until the next comparator trigger, at which point the boxcar averager re-samples the PMT signal and holds the value again. This process repeats itself throughout the length of the laser scan. The output of the boxcar averager (i.e. the sample-held signal) is fed directly into an SRS SR-850 Lock-in Amplifier along with the chopper refer-

ence frequency for phase sensitive detection. The result is a fluorescence excitation lineshape synchronized to time t_0 in the current discharge cycle. To sample additional times along the current cycle, the built in time delay in the SR-250 is used to adjust the sample trigger.

The spectral lamp used to demonstrate this diagnostic consists of a long, thin glass tube filled with xenon gas that has electrodes on each end. With an ac input to the lamp, each electrode takes turns operating as the anode and cathode over the course of a current cycle. The high voltage applied across the electrodes provides the electrons with enough energy to ionize the xenon gas in the tube, creating a plasma discharge. In order to sustain the discharge, the cathode has to maintain the temperature required for thermionic emission through a combination of the supplied current and bombardment of ions from the discharge. The ion current in the discharge is not enough to provide the necessary heating. Therefore, a positive space charge sheath forms at the cathode to accelerate the ions towards its surface, while the cathode surface itself maintains a negative electric potential to accelerate electrons into the discharge.¹⁷

Referring back to Fig. 3, we see that the raw PMT signal (emission plus fluorescence) oscillates at approximately 120 Hz, double that of the 60 Hz current supplied to the lamp, as expected. With a negatively biased PMT, the peaks in this trace represent the points of minimum amplitude in the emission. These points occur ~ 1 ms after the current signal passes through zero in both the positive and negative direction. The emission signal (i.e. when the chopper is closed) is proportional to the number density of the upper level of the $6s'[3/2]_1^0 - 6p'[3/2]_2$ transition that emits at 473.42 nm as background interference.

Fig. 4 gives an example of the fluorescence excitation lineshape, obtained for time t_0 . Assuming only the natural linewidth and Doppler broadening, a spectral fit to this lineshape suggests that the temperature of the xenon in this discharge is ~ 1800 K. However, we find that the lineshape is relatively constant over the course of the current cycle, suggesting that this spectral line may be predominantly pressure broadened. The lack of information available about the xenon fill pressure in the tube leaves us unable to determine the pressure broadening coefficients. Therefore, 1800 K should be seen as an upper limit to the actual temperature in the lamp. Also shown in Fig. 4 are the linewidths for a CW and a pulsed dye laser, as well as the hyperfine structure (HFS) of the probed transition. As mentioned above, these linewidths illustrate the need for a CW laser when resolving this spectral feature.

Fig. 5 provides the time evolution of the peak intensities of the fluorescence excitation lineshape over the course of a single current cycle. Data points are shown for both the hardware and software versions of the sample-hold and lock-in method. Best fit curves of the data reveal that the peak intensities, indicative of the lower state population of the $6s'[1/2]_1^0 - 6p'[3/2]_2$ xenon atomic tran-

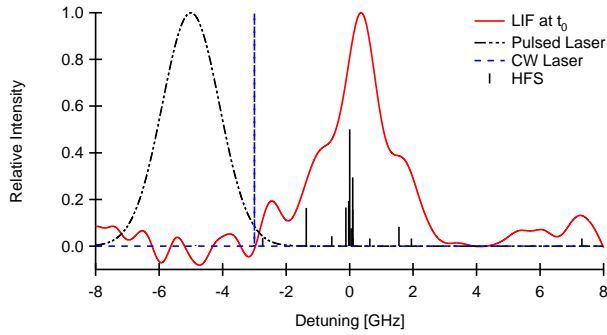


FIG. 4. Example of a fluorescence excitation lineshape at time t_0 for the Xe lamp discharge as compared to the width of a typical CW laser and a pulsed dye laser.

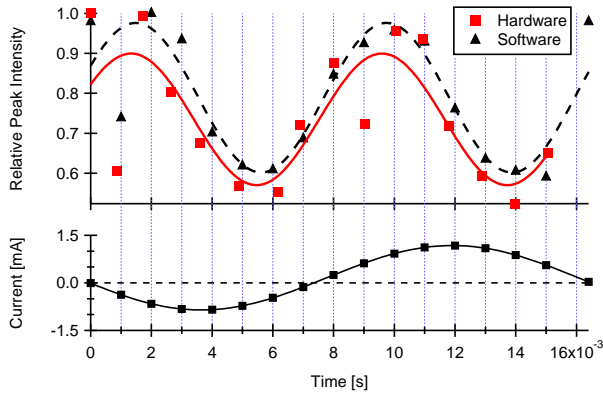


FIG. 5. Peak amplitudes of fluorescence excitation lineshapes (top), synchronized in time with the lamp discharge current cycle (bottom). Note: Peaks are normalized such that the maximum in the cycle equals unity to eliminate any difference in the amplification factor between the hardware (\square) and software (\triangle) versions of the lock-in amplifier.

sition, also oscillate at a frequency of 120 Hz, but with an ~ 2 ms delay from the zero point crossing of the current. This suggests that the lower state population fluctuates with a ~ 1 ms phase delay relative to that of the upper state.

In this type of discharge, the local electric field is directly proportional to the local current density.¹⁷ The non-linear response in the spontaneous emission from the discharge reflects a strong field dependence in the collisional excitation of the $6p'[3/2]_2$ upper state. The 1 ms phase lag between the current passing through zero and the maximum emission amplitude can be a consequence of this nonlinearity and also the possible development of the sheath at each electrode as the current oscillates. The additional 1 ms phase shift between the peak in the LIF and the peak in the background emission suggests that the population of the lower $6s'[1/2]_1^0$ state is established by a mechanism that is different but closely coupled to that of the upper state.

In summary, both a software and hardware version of a sample-and-hold and lock-in amplifier have been implemented in an effort to time-synchronize cw laser-induced fluorescence measurements on a 60 Hz xenon lamp to its discharge current cycle. The approach introduced allows us to probe spectrally narrow, quasi-periodically varying lineshapes that would be inaccessible with a typical tunable pulsed dye laser.

In the spectral lamp probed as a demonstration of this method, results show a strong correlation between the dynamics of the current and measured fluorescence intensities, with both the upper and lower state populations of the probed transition fluctuating at double the discharge current frequency, but slightly out of phase with each other. The width of the spectral lineshape in this discharge, while resolved, did not appear to vary strongly with time, presumably due to a strong component of pressure broadening.

N. MacDonald acknowledges the Science Mathematics and Research for Transformation (SMART) scholarship program for support of her research. Research at Stanford is funded through the Air Force Office of Scientific Research with Dr. M. Birkan as grant monitor.

- ¹Newport Corporation. Website. Accessed: 16 December 2011. <http://www.newport.com>.
- ²N. A. MacDonald, M. A. Cappelli, S. R. Gildea, M. Martinez-Sanchez, and W. A. Hargus Jr. *J. Phys. D* **44**, 295203 (2011).
- ³S. Mazouffre, and G. Bourgeois. *Plasma Sources Sci. Technol.* **19**, 065018 (2010).
- ⁴S. Mazouffre, D. Gawron, and N. Sadeghi. *Phys. of Plasmas* **16**, 1 (2009).
- ⁵B. Pelissier, and N. Sadeghi. *Rev. Sci. Instrum.* **67**, 3405 (1996).
- ⁶A. Stark, W. Fox, J. Egedal, O. Grulke, and T. Klinger. *Phys. Rev. Lett.* **95**, 1 (2005).
- ⁷I. A. Biloiu, X. Sun, and E. E. Scime. *Rev. Sci. Instrum.* **77**, 10F301-1 (2006).
- ⁸M. H. Miller, and R. A. Roig. *Phys. Rev. A* **8**, 480 (1973).
- ⁹C. E. Moore. *Atomic Energy Levels. vol. II* (National Bureau of Standards, Gaithersburg, MD, 1958).
- ¹⁰N. A. MacDonald, K. Loebner, and M. A. Cappelli. *Time Synchronized Optical Diagnostics of a Diverging Cusped Field Ion Accelerator: Bulletin of the 64th Annual Gaseous Electronics Conference*, Salt Lake City, UT, November 14-18 2011, Vol. 56, No. 15.
- ¹¹D. G. Courtney, and M. Martinez-Sanchez. *Diverging Cusped-Field Hall Thruster (DCHT): Proceedings of the 30th International Electric Propulsion Conference*, Florence, Italy, September 17-20, 2007, IEPC-2007-39.
- ¹²A. W. Smith, and M. A. Cappelli. *Phys. of Plasmas* **16**, 073504 (2009).
- ¹³J. E. Hansen, and W. Persson. *Phys. Scr.* **4**, 602 (1987).
- ¹⁴W. Demtroeder, *Laser Spectroscopy: Basic Concepts and Instrumentation* (Springer-Verlag, Berlin, 1996).
- ¹⁵D. H. Manzella. *Stationary Plasma Thruster Ion Velocity Distribution: Proceedings of the 30th Joint Propulsion Conference and Exhibit*, Indianapolis, IN, June 27-29, 1994, AIAA-1994-3141.
- ¹⁶S. Mazouffre, D. Gawron, V. Kulaev, and N. Sadeghi. *IEEE Trans. Plasma Sci.* **36**, 1967 (2008).
- ¹⁷G. G. Lister, J. E. Lawler, W. P. Lapatovich, and V. A. Godyak. *Rev. Mod. Phys.* **76**, 541 (2004).
- ¹⁸W. A. Hargus, Jr. *Laser-Induced Fluorescence of Neutral Xenon in the Near Field of a 200 W Hall Thruster: Proceedings of the 41st AIAA Joint Propulsion Conference*, Tucson, AZ, July 10-13, 2005, AIAA-2005-4400.