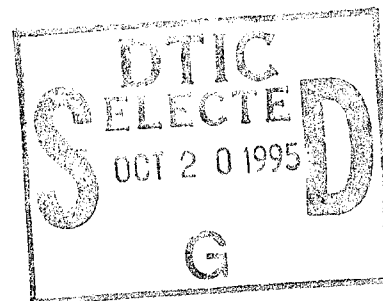


Serial No. 29/042.682  
Filing Date 14 August 1995  
Inventor Michael Canaday  
Fred W. Watson, Jr.

NOTICE



The above identified patent application is available for licensing. Requests for information should be addressed to:

OFFICE OF NAVAL RESEARCH  
DEPARTMENT OF THE NAVY  
CODE OCCC3  
ARLINGTON VA 22217-5660

|                     |                                     |
|---------------------|-------------------------------------|
| Accession For       |                                     |
| NTIS CRA&I          | <input checked="" type="checkbox"/> |
| DTIC TAB            | <input type="checkbox"/>            |
| Unannounced         | <input type="checkbox"/>            |
| Justification ..... |                                     |
| By .....            |                                     |
| Distribution /      |                                     |
| Availability Codes  |                                     |
| Dist                | Avail and/or Special                |
| A-1                 |                                     |

**DISTRIBUTION STATEMENT A**  
Approved for public release;  
Distribution Unlimited

DTIC QUALITY INSPECTION

14 Aug 95

IN THE UNITED STATES PATENT AND TRADEMARK OFFICE  
SPECIFICATION AND CLAIM OF DESIGN PATENT APPLICATION

SHOULDER-LAUNCHED, MULTIPLE-PURPOSE ASSAULT WEAPON

Be it known that we, Michael M. Canaday and Fred W. Watson, Jr., employees of the Department of the Navy, have invented a new, original and ornamental design for a shoulder-launched multiple-purpose assault weapon, of which the following is a specification, reference being made to the accompanying drawings, forming a part hereof.

FIG. 1 is perspective view of the shoulder-launched, multiple-purpose assault weapon;

FIG. 2 is rear view of the present invention;

FIG. 3 is front view of the present invention;

FIG. 4 is a top view of the present invention;

FIG. 5 is a right side view of the present invention;

FIG. 6 is a left side view of the present invention; and

FIG. 7 is a bottom view of the present invention.

19951018 183

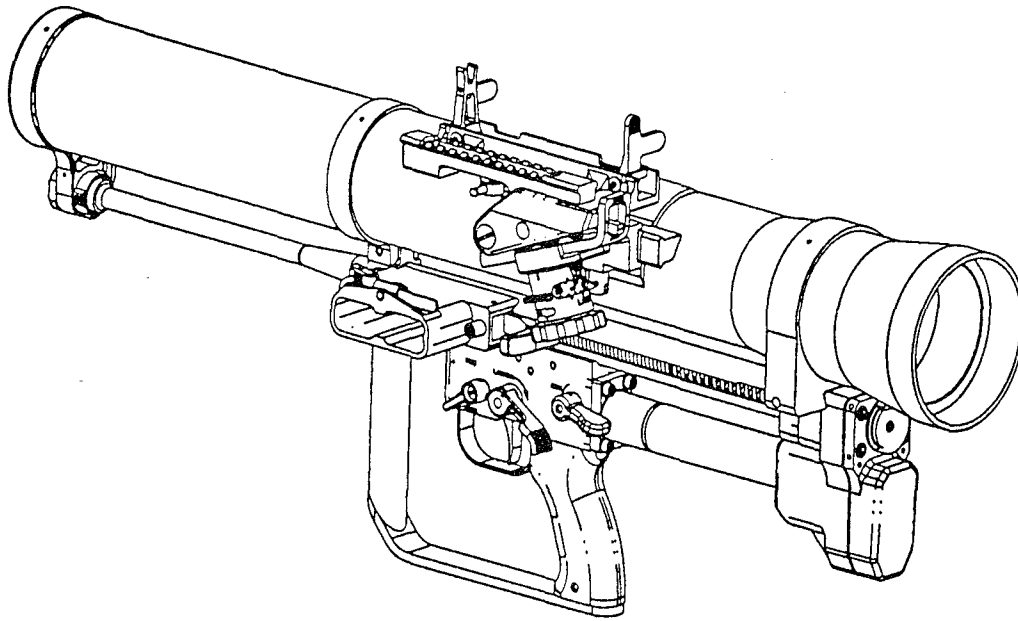


FIG. 1

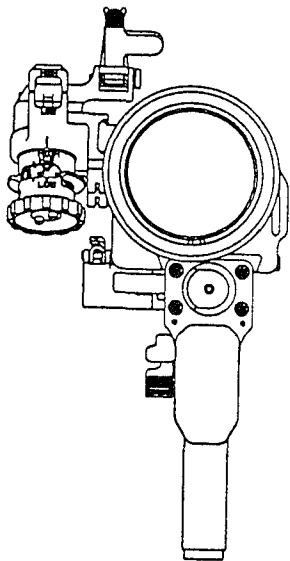


FIG. 2

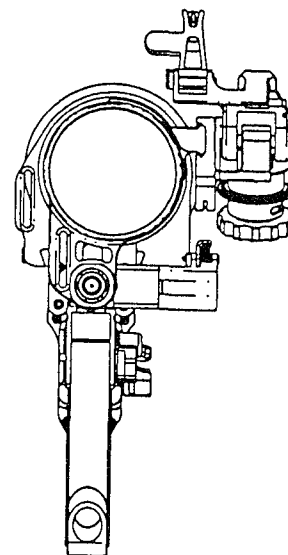


FIG. 3

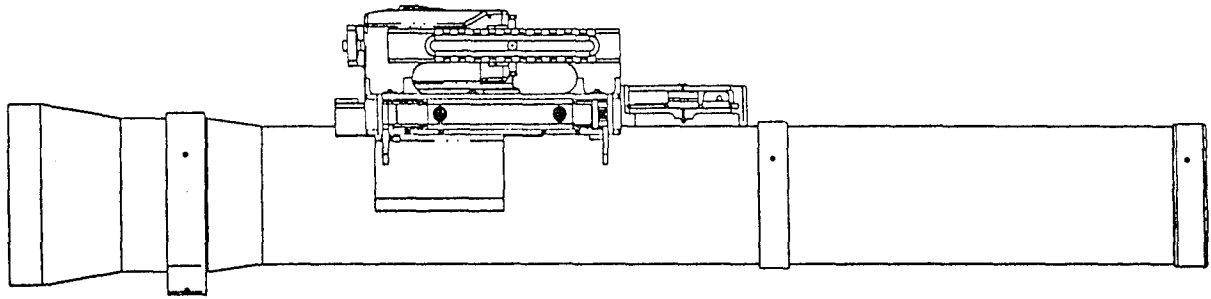


FIG. 4

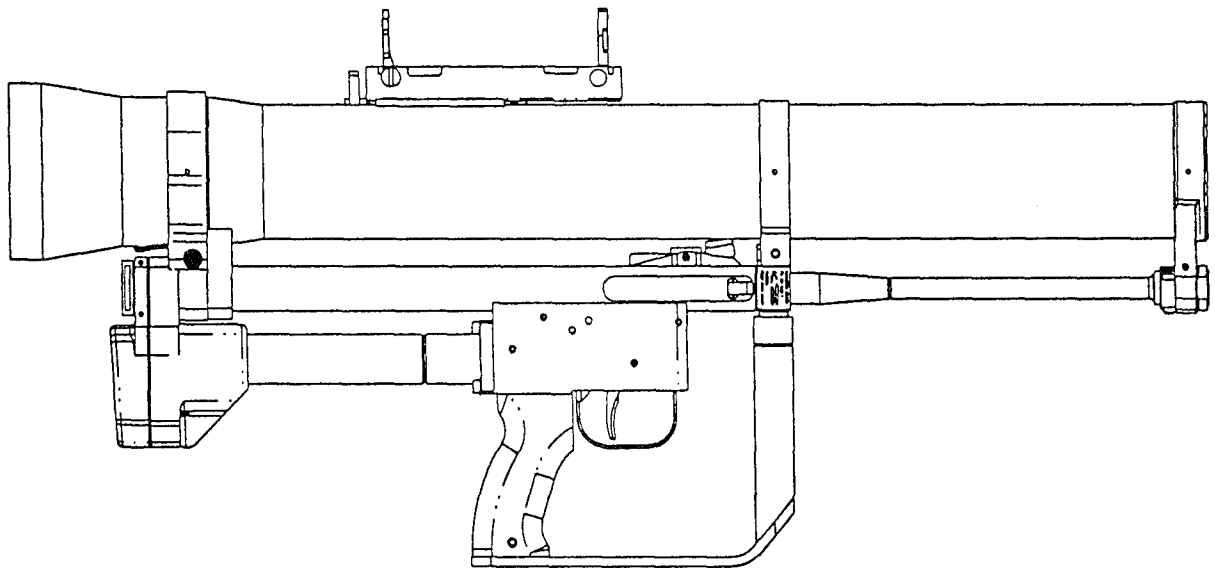


FIG. 5

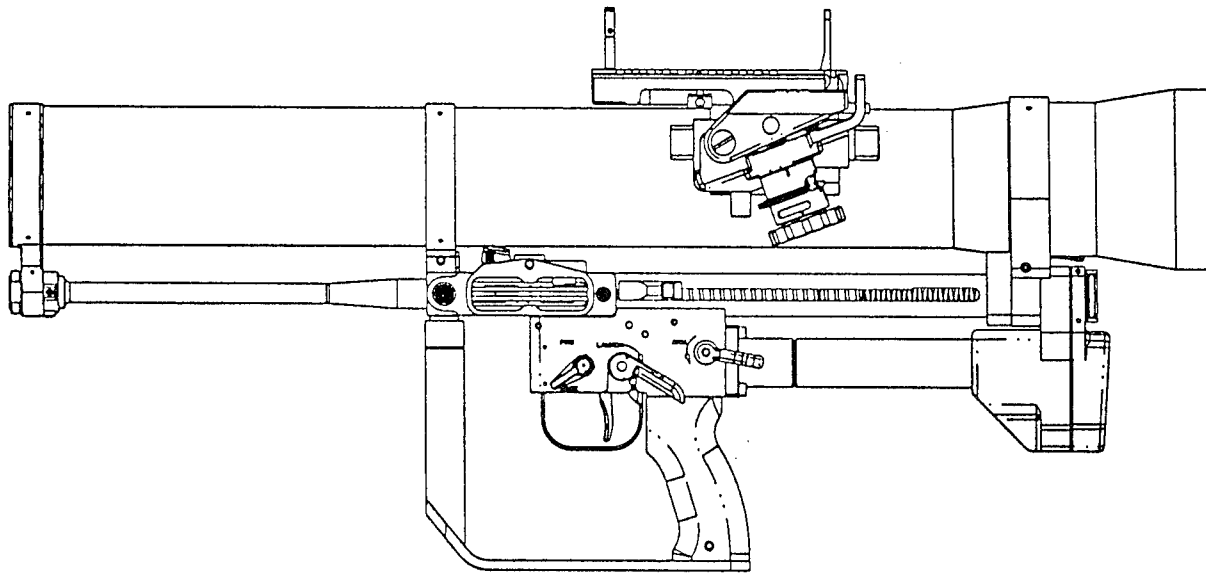


FIG. 6

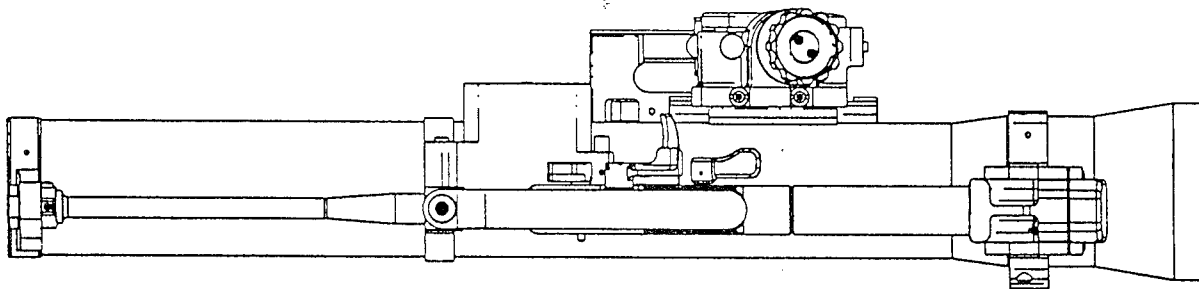


FIG. 7